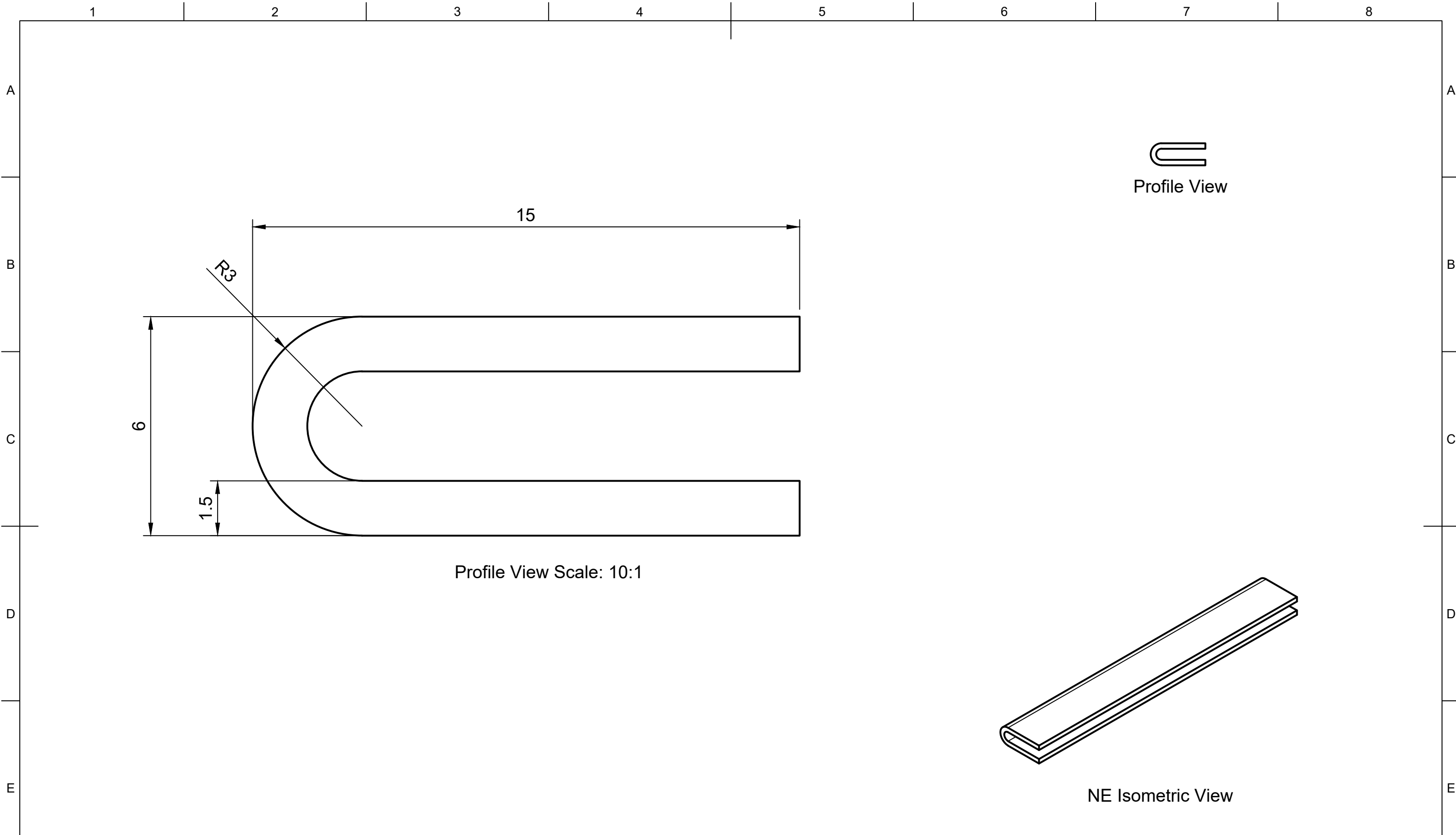




## U Channels

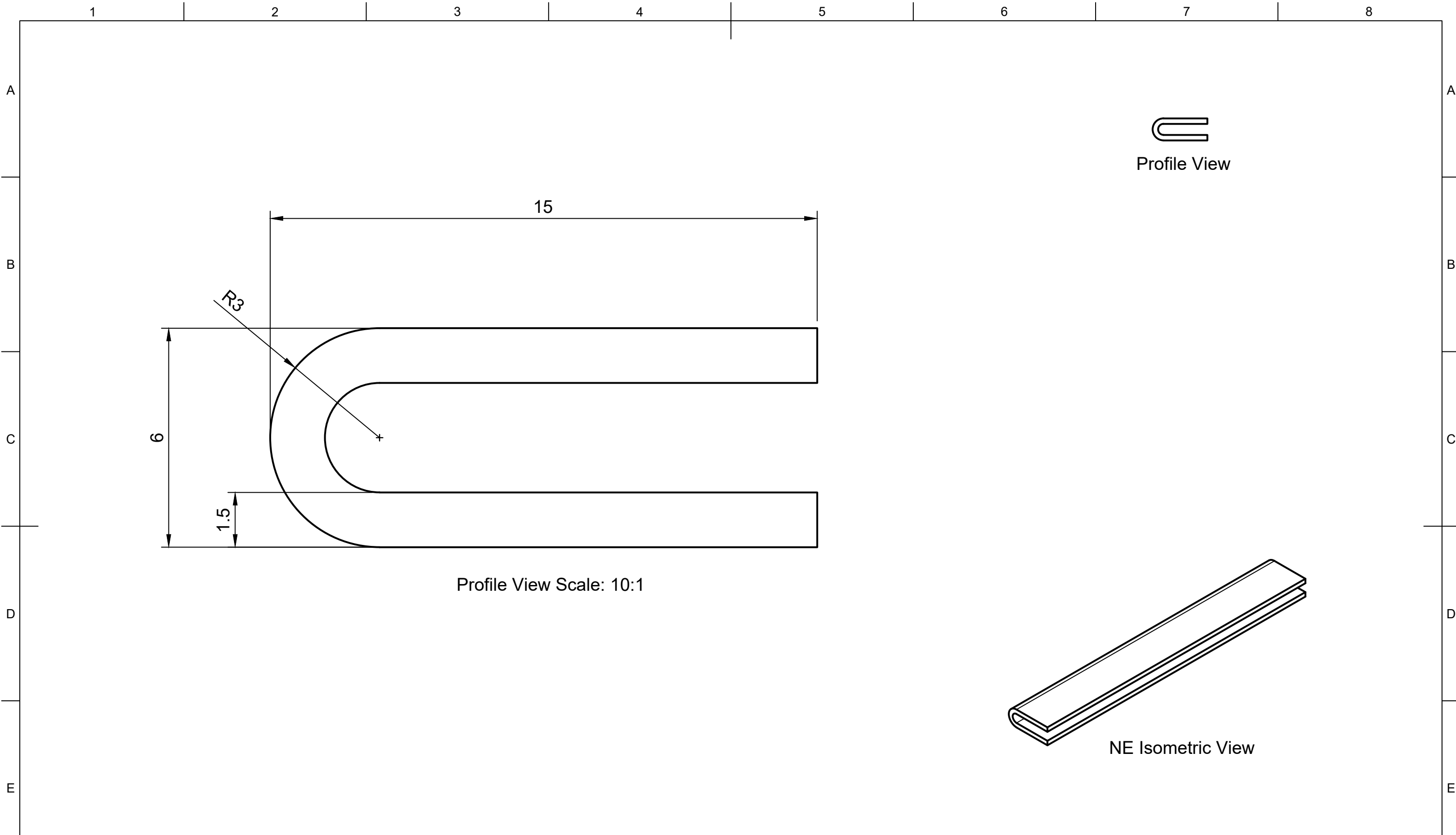


Profile View Scale: 10:1

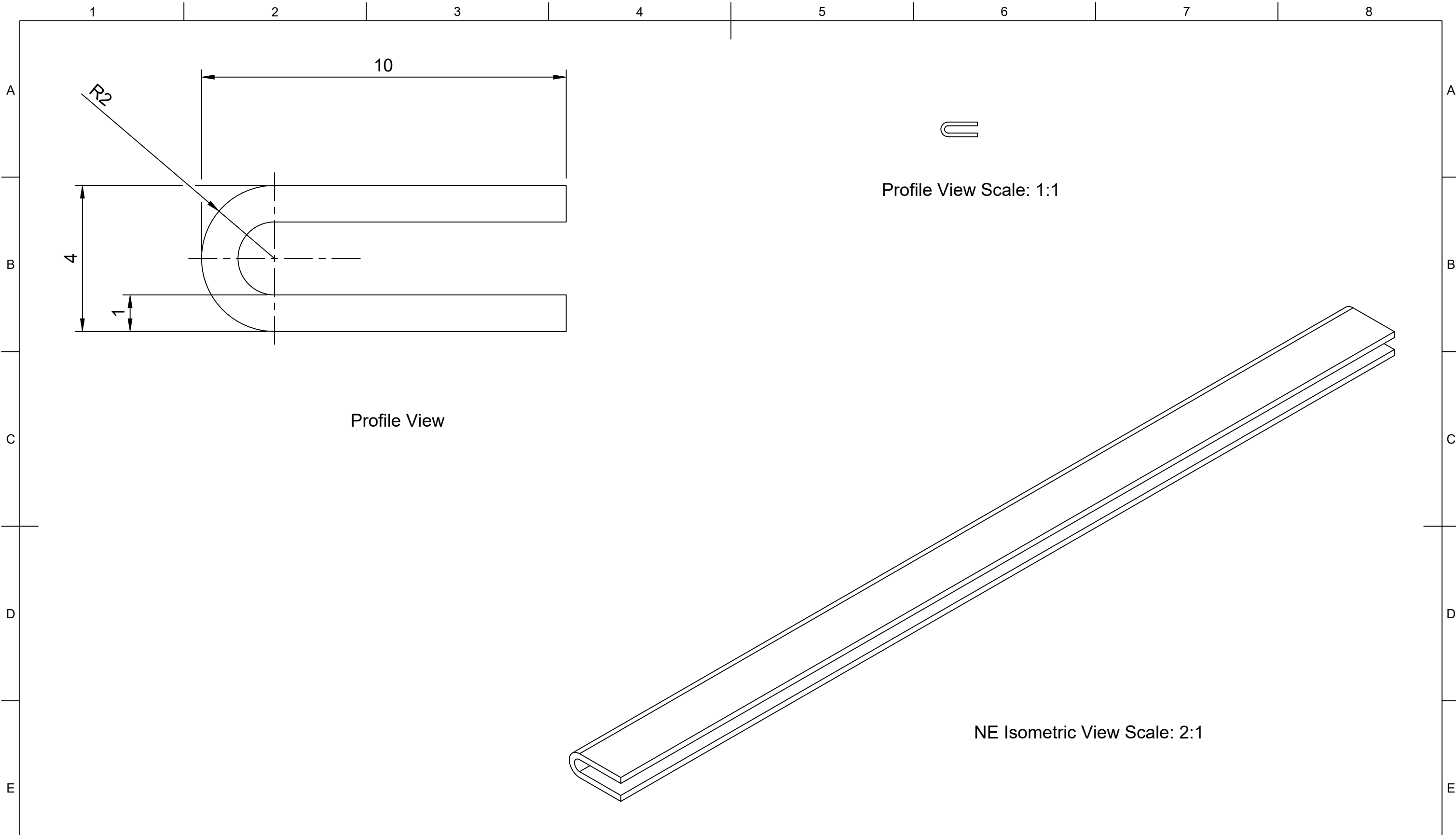
NE Isometric View

	<b>Part Number</b>				<b>Created By</b>		<b>Cross Sectional Area (mm<sup>2</sup>)</b>		<b>Nominal Dimension (mm)</b>		<b>Tolerance, ± (mm)</b>
	202522				Isaac Erskine		47		<b>Greater Than</b>	<b>Less Than or Equal to</b>	
	<b>Description</b>				<b>Date Drawn</b>		<b>Material</b>				
	U Channel (Round Base, Round Inner)				01/03/2022		EPDM				
					<b>Approved By</b>		<b>Hardness (Shore A)</b>				
					Isaac Erskine		70				
					<b>Date of Approval</b>		<b>Colour</b>				
					01/03/2022		Black				
					<b>Projection</b>		<b>Weight (g/m)</b>				
					3rd Agl.		62				
<b>Revision</b>	<b>Date of Issue</b>	<b>Sheet Scale</b>	<b>Sheet Size</b>	<b>Sheet</b>							
A	01/03/2022	1:1	A3	1/1							

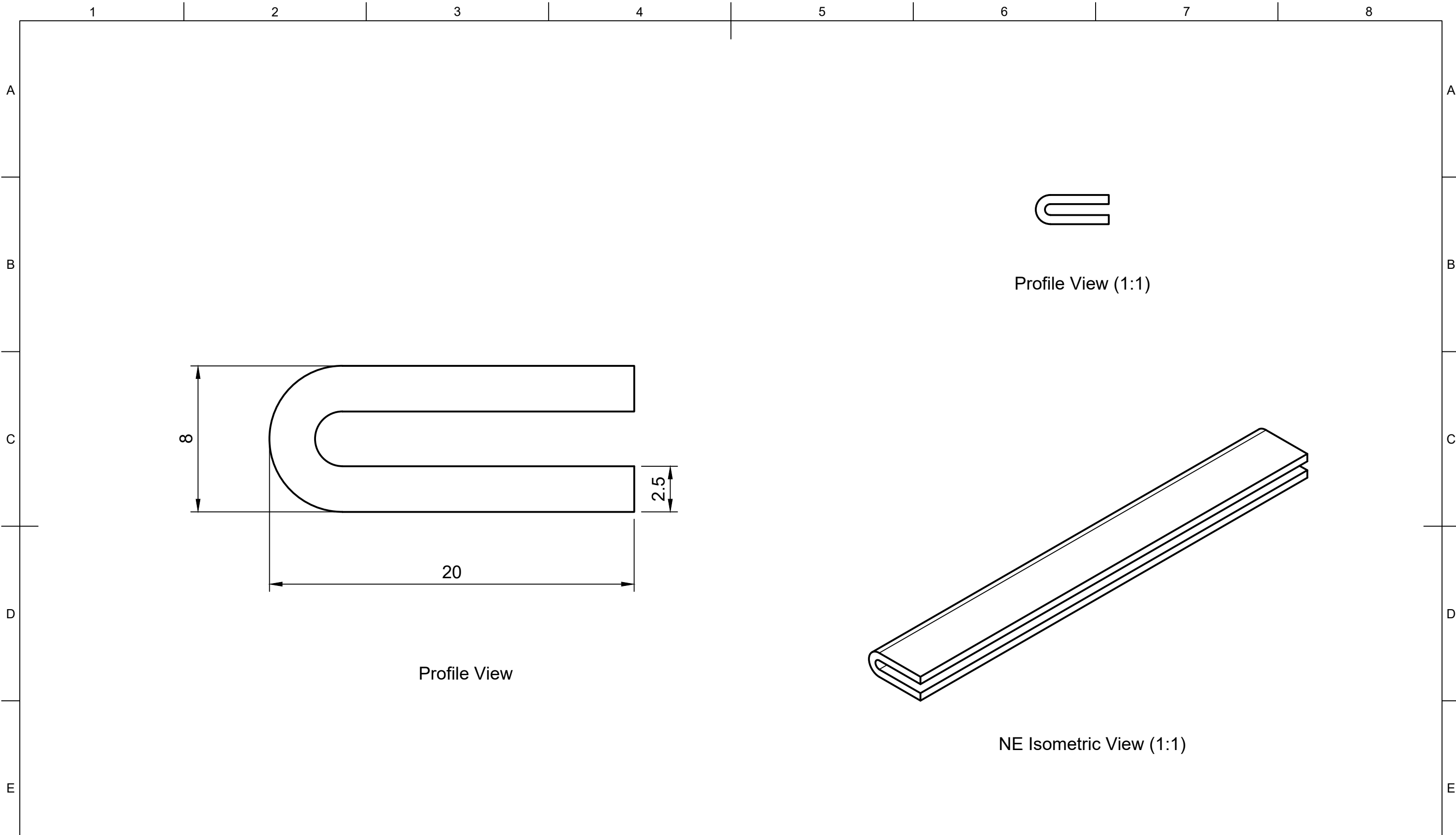
0.00	1.50	0.40
1.50	2.50	0.50
2.50	4.00	0.70
4.00	6.30	0.80
6.30	10.00	1.00
10.00	16.00	1.30
16.00	25.00	1.60
25.00	40.00	2.00
40.00	63.00	2.50
63.00	100.00	3.20
100.00		3.20%



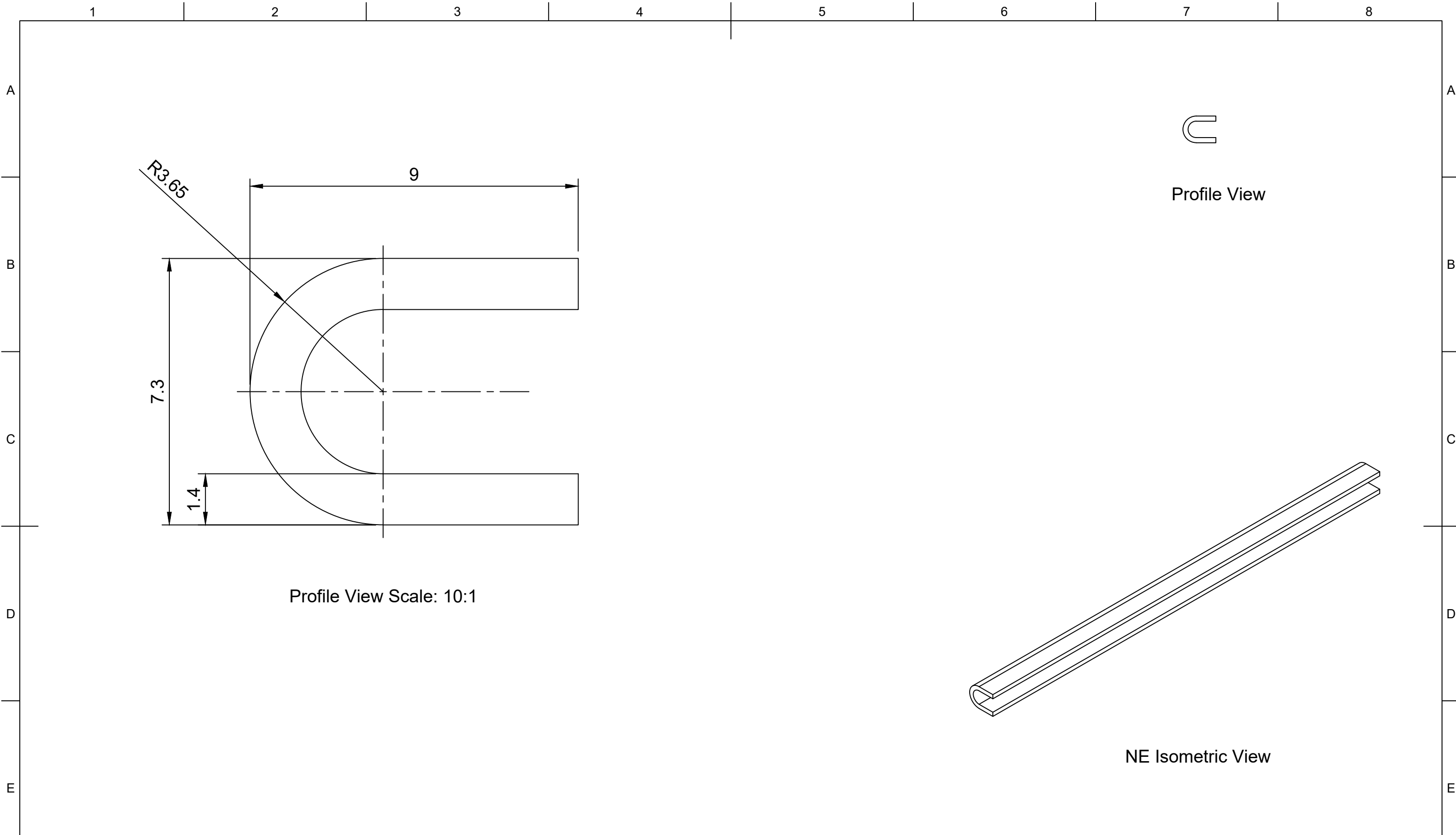
	<b>Part Number</b>				<b>Created By</b>		<b>Cross Sectional Area (mm<sup>2</sup>)</b>		<b>Nominal Dimension (mm)</b>		<b>Tolerance, ± (mm)</b>	
	203898				Isaac Erskine		47		<b>Greater Than</b>	<b>Less Than or Equal to</b>		
	<b>Description</b>				<b>Date Drawn</b>		<b>Material</b>		0.00	1.50	0.40	
	U Channel (Round Base, Round Inner)				01/03/2022		Neoprene		1.50	2.50	0.50	
	<b>Revision</b>				<b>Approved By</b>		<b>Hardness (Shore A)</b>		2.50	4.00	0.70	
	A	<b>Date of Issue</b>	<b>Sheet Scale</b>	<b>Sheet Size</b>	<b>Sheet</b>	Isaac Erskine		70		4.00	6.30	0.80
		01/03/2022	1:1	A3	1/1	<b>Date of Approval</b>		<b>Colour</b>		6.30	10.00	1.00
						01/03/2022		Black		10.00	16.00	1.30
	<b>Projection</b>				<b>Weight (g/m)</b>		76		16.00	25.00	1.60	
	3rd Agl.								25.00	40.00	2.00	
								40.00	63.00	2.50		
								63.00	100.00	3.20		
								100.00		3.20%		



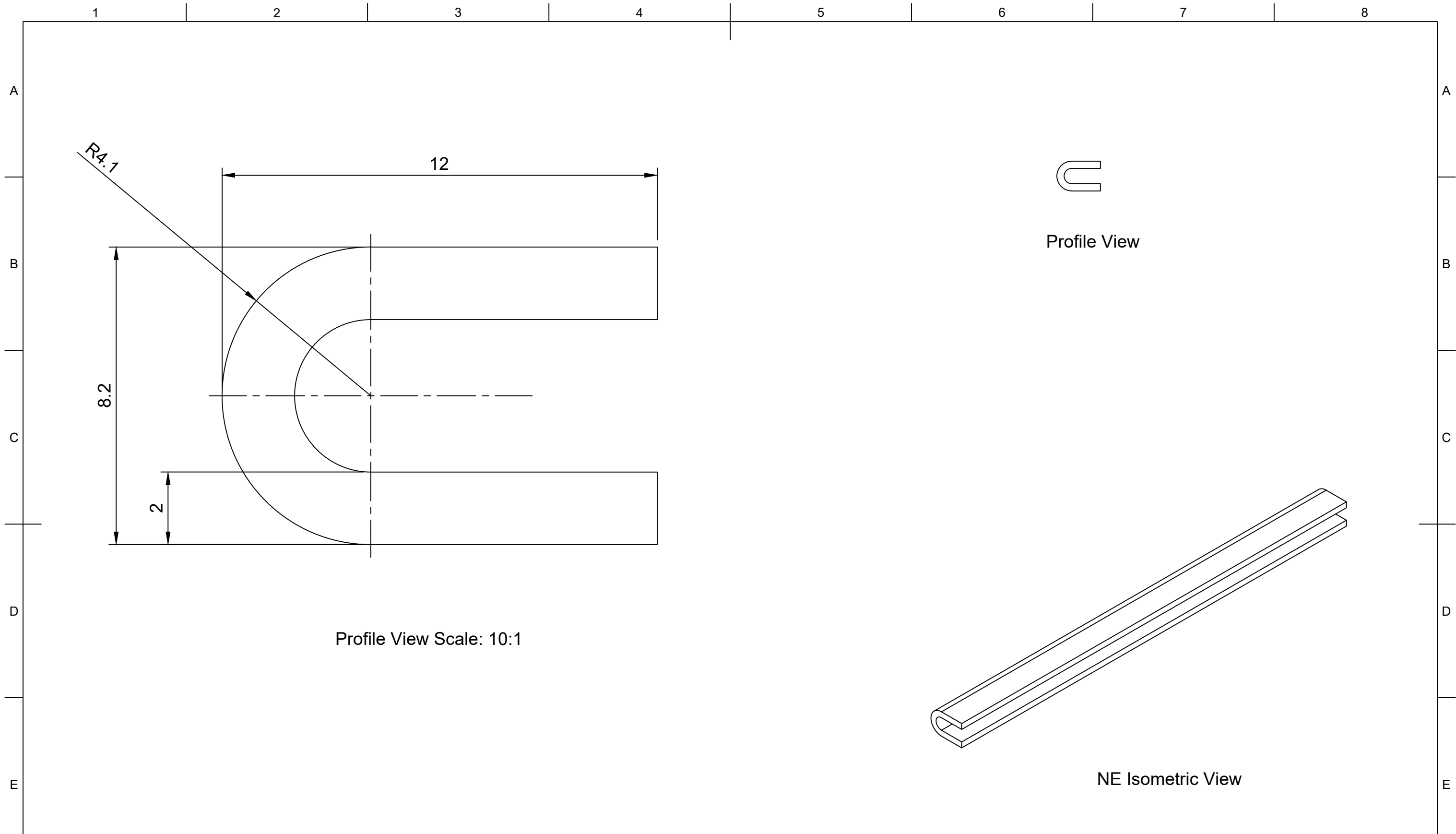
Part Number		200022			Created By		David Stirling		Cross Sectional Area (mm <sup>2</sup> )		21		Nominal Dimension (mm)		Tolerance, ± (mm)
					Date Drawn		26/04/2020		Material		EPDM		Greater Than	Less Than or Equal to	
Description					U Channel (Round Base, Round Inner)					Approved By		Hardness (Shore A)		70	
										Date of Approval		Colour		Black	
Revision	Date of Issue	Sheet Scale	Sheet Size	Sheet	Projection	3rd Agl.		Weight (g/m)		42		4.00	6.30	0.80	
A	19/01/2022	10:1	A3	1/1	6.30			10.00	1.00						
											10.00	16.00	1.30		
											16.00	25.00	1.60		
											25.00	40.00	2.00		
											40.00	63.00	2.50		
											63.00	100.00	3.20		
											100.00	—	3.20%		


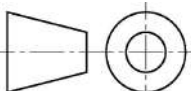


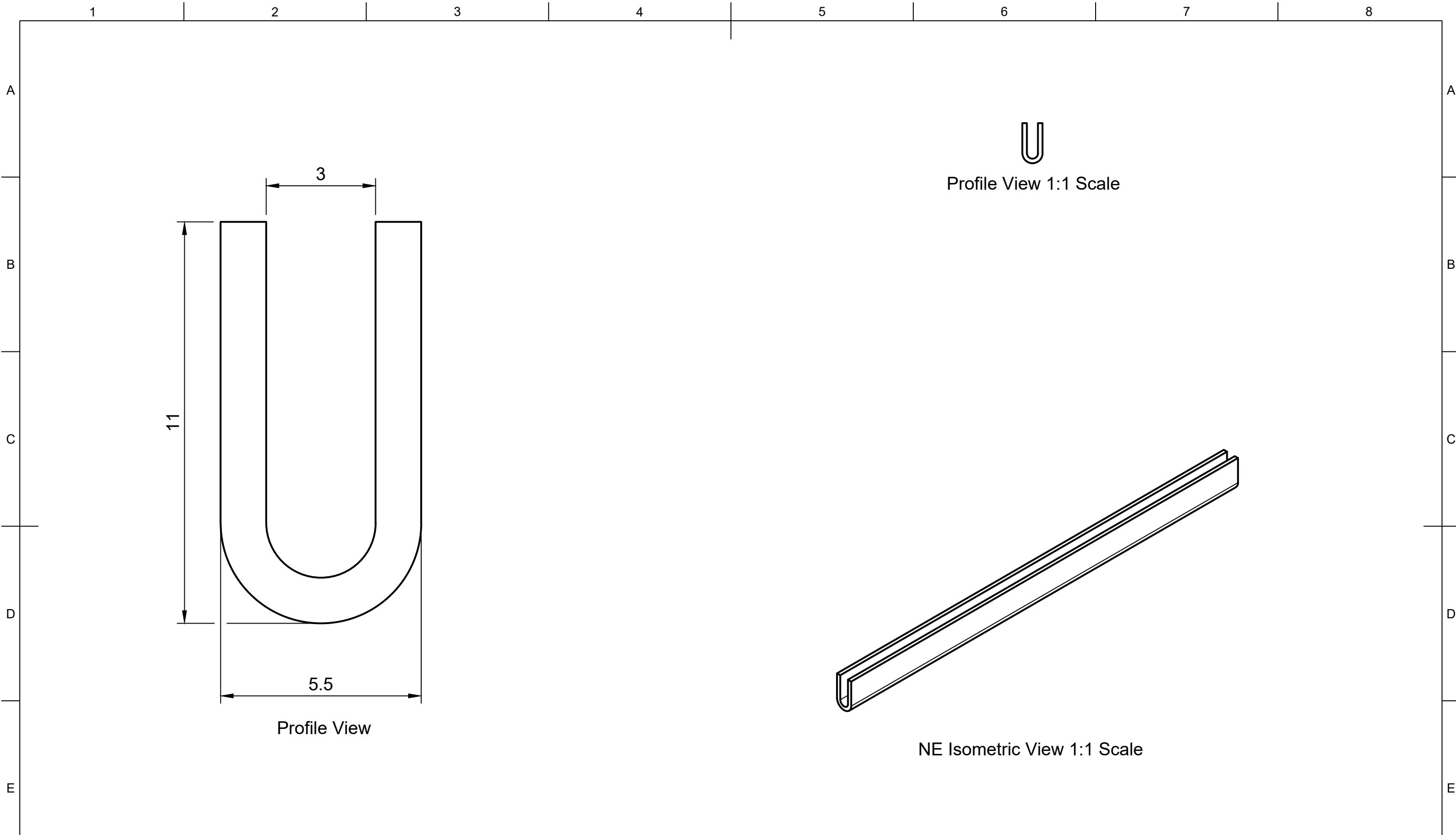
Part Number		200188			Created By		David Stirling		Cross Sectional Area (mm <sup>2</sup> )		102		Nominal Dimension (mm)		Tolerance, ± (mm)	
					Date Drawn		19/01/2022		Material		Neoprene		Greater Than	Less Than or Equal to		0.00
Description					U Channel (Round Base, Round Inner)			Approved By		Hardness (Shore A)		70		1.50	2.50	0.50
								Date of Approval		Colour		Black		2.50	4.00	0.70
Revision	Date of Issue	Sheet Scale	Sheet Size	Sheet	Projection	3rd Agl.			Weight (g/m)		136		6.30	10.00	1.00	
A	19/01/2022	5:1	A3	1/1	25.00				40.00	2.00	10.00	16.00	1.30	16.00	25.00	1.60
													40.00	63.00	2.50	
													63.00	100.00	3.20	
													100.00		3.20%	



Part Number <b>201457</b>					Created By David Stirling		Cross Sectional Area (mm <sup>2</sup> ) 28		Nominal Dimension (mm)		Tolerance, ± (mm)
					Date Drawn 28/04/2020		Material EPDM		Greater Than	Less Than or Equal to	
Description <b>U Channel (Round Base, Round Inner)</b>					Approved By		Hardness (Shore A) 70		0.00	1.50	0.40
					Date of Approval		Colour Black		1.50	2.50	0.50
Revision A	Date of Issue 19/01/2022	Sheet Scale 1:1	Sheet Size A3	Sheet 1/1	Projection 3rd Agl.	Weight (g/m) 43		2.50	4.00	0.70	
								4.00	6.30	0.80	
								6.30	10.00	1.00	
								10.00	16.00	1.30	
								16.00	25.00	1.60	
							25.00	40.00	2.00		
							40.00	63.00	2.50		
							63.00	100.00	3.20		
							100.00		3.20%		



	<b>Part Number</b>				<b>Created By</b>		<b>Cross Sectional Area (mm<sup>2</sup>)</b>		<b>Nominal Dimension (mm)</b>		<b>Tolerance, ± (mm)</b>	
	203142				David Stirling		51		<b>Greater Than</b>	<b>Less Than or Equal to</b>		
	<b>Description</b>				<b>Date Drawn</b>		<b>Material</b>		0.00		0.40	
	U Channel (Round Base, Round Inner)				28/04/2020		EPDM		1.50		0.50	
	<b>Revision</b>				<b>Approved By</b>		<b>Hardness (Shore A)</b>		2.50		0.70	
	A	<b>Date of Issue</b>		<b>Sheet Scale</b>		<b>Date of Approval</b>		<b>Colour</b>		4.00		0.80
		19/01/2022		1:1				Black		6.30		1.00
				<b>Sheet Size</b>		<b>Projection</b>		<b>Weight (g/m)</b>		10.00		1.30
				A3		3rd Agl. 		50		16.00		1.60
				1/1						25.00		2.00
									40.00		2.50	
									63.00		3.20	
									100.00		3.20%	



U

Profile View 1:1 Scale

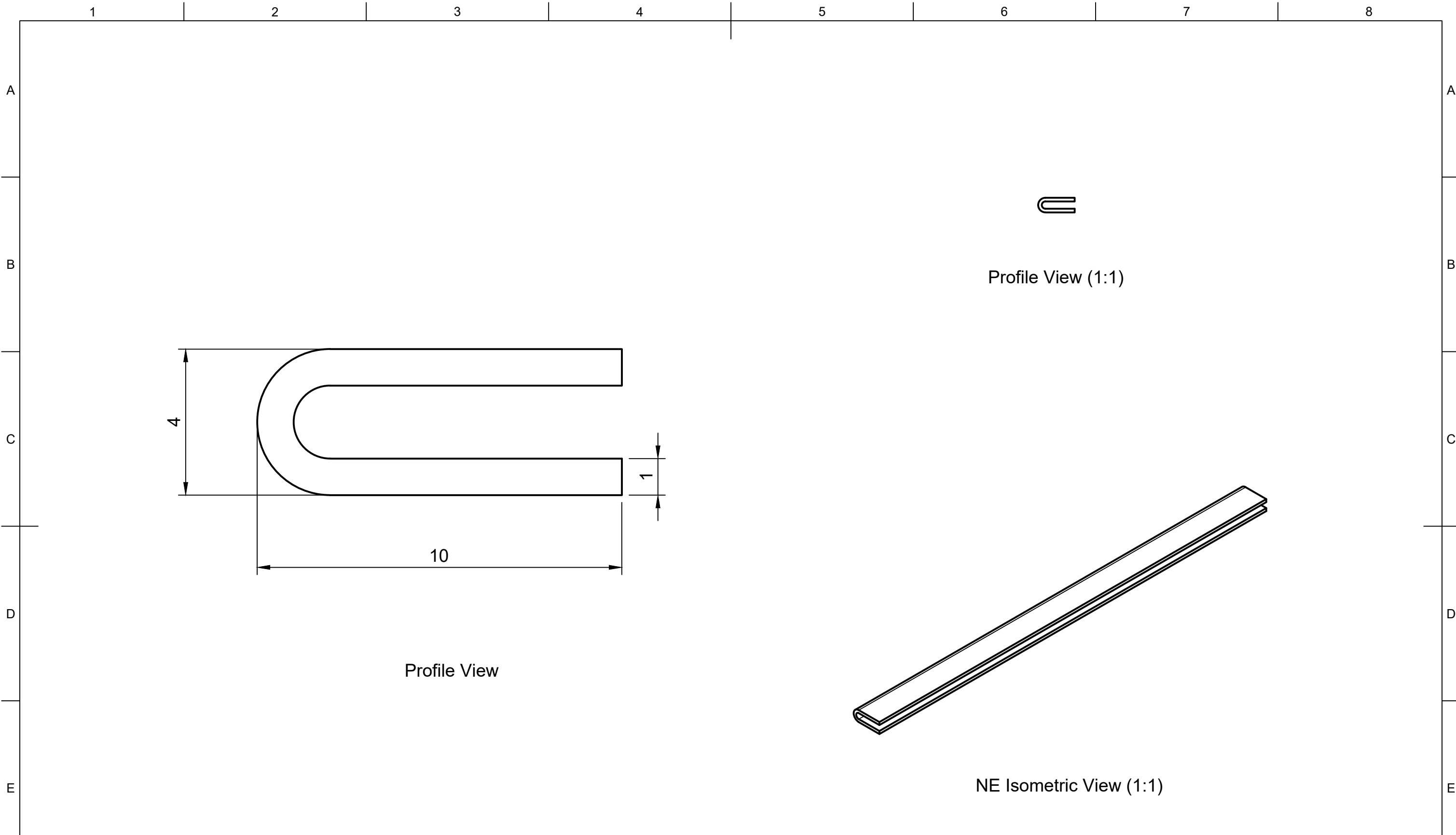
Profile View

NE Isometric View 1:1 Scale

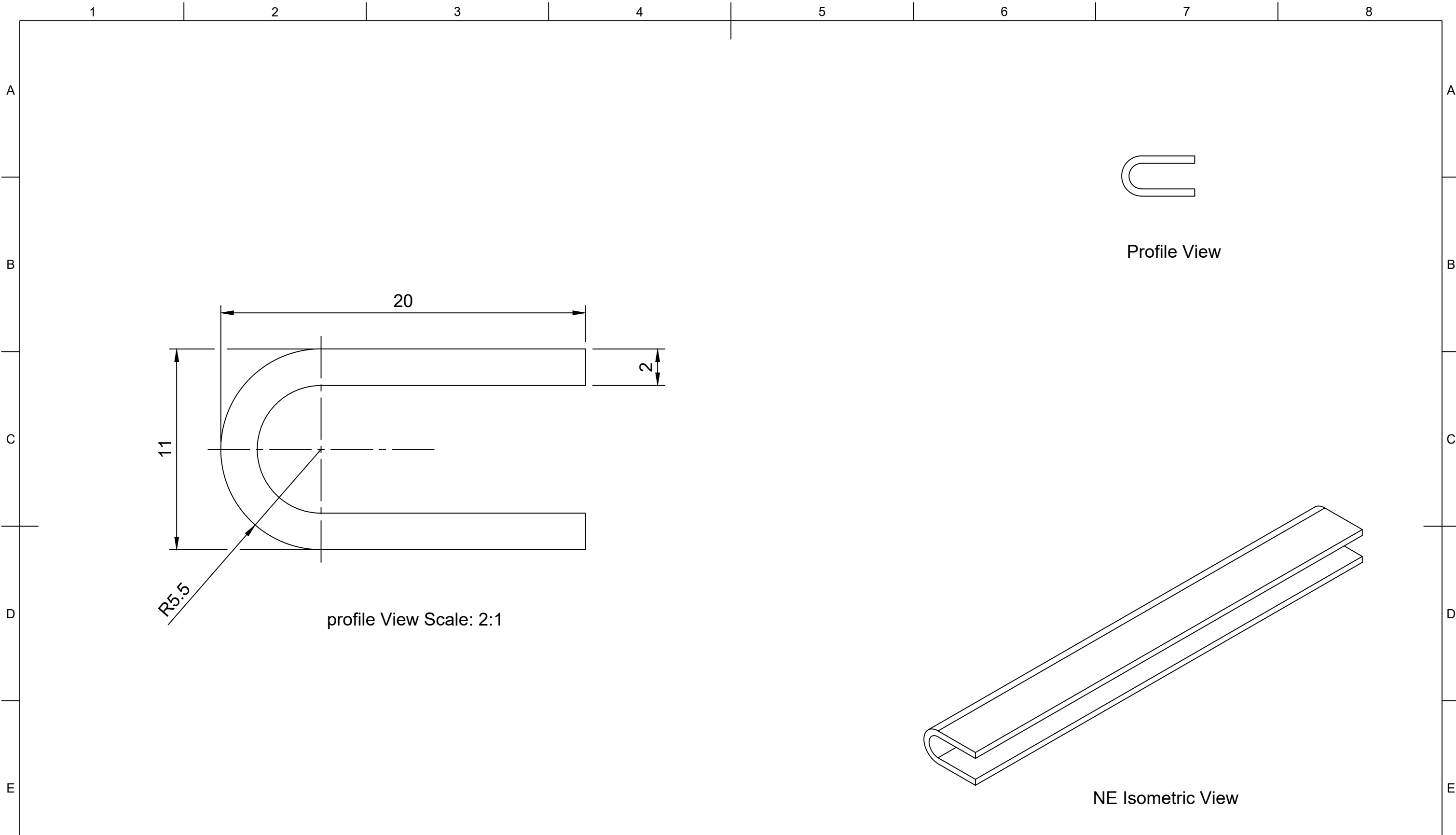


Part Number		204020			Created By	David Stirling	Cross Sectional Area (mm <sup>2</sup> )	29		Nominal Dimension (mm)		Tolerance, ± (mm)									
					Date Drawn	02/09/2021	Material	EPDM	Greater Than	Less Than or Equal to	0.00		1.50	0.40							
Description		U Channel (Round Base, Round Inner)			Approved By		Hardness (Shore A)	70		2.50	4.00	0.70									
					Date of Approval		Colour	Black	4.00	6.30	0.80	6.30	10.00	1.00							
Revision	Date of Issue	Sheet Scale	Sheet Size	Sheet	Projection	3rd Agl.	Weight (g/m)	37		10.00	16.00	1.30									
A	19/01/2022	10:1	A3	1/1			25.00	40.00	2.00	16.00	25.00	1.60									
<table border="1"> <tr> <td>40.00</td> <td>63.00</td> <td>2.50</td> </tr> <tr> <td>63.00</td> <td>100.00</td> <td>3.20</td> </tr> <tr> <td>100.00</td> <td></td> <td>3.20%</td> </tr> </table>													40.00	63.00	2.50	63.00	100.00	3.20	100.00		3.20%
40.00	63.00	2.50																			
63.00	100.00	3.20																			
100.00		3.20%																			

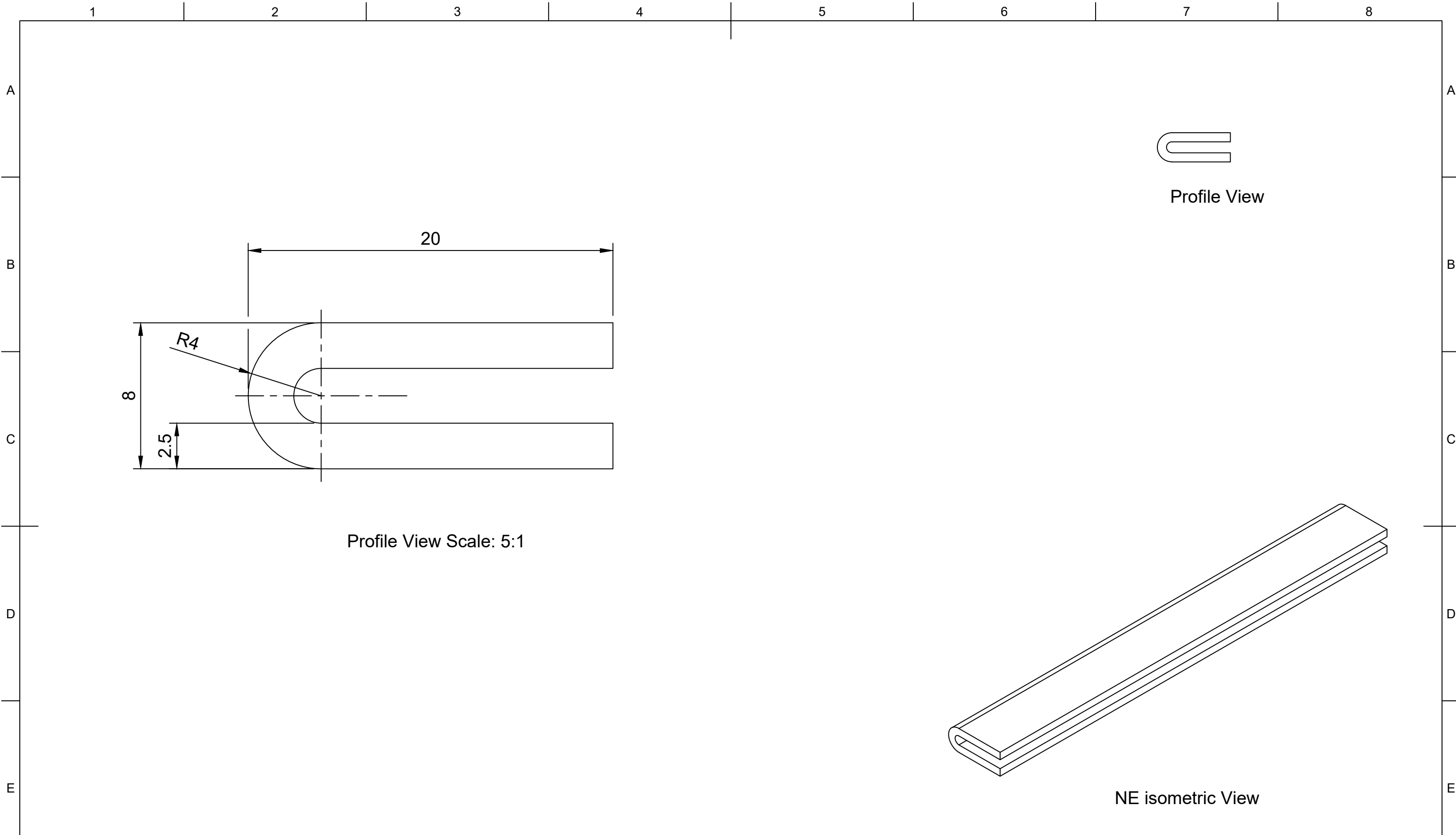




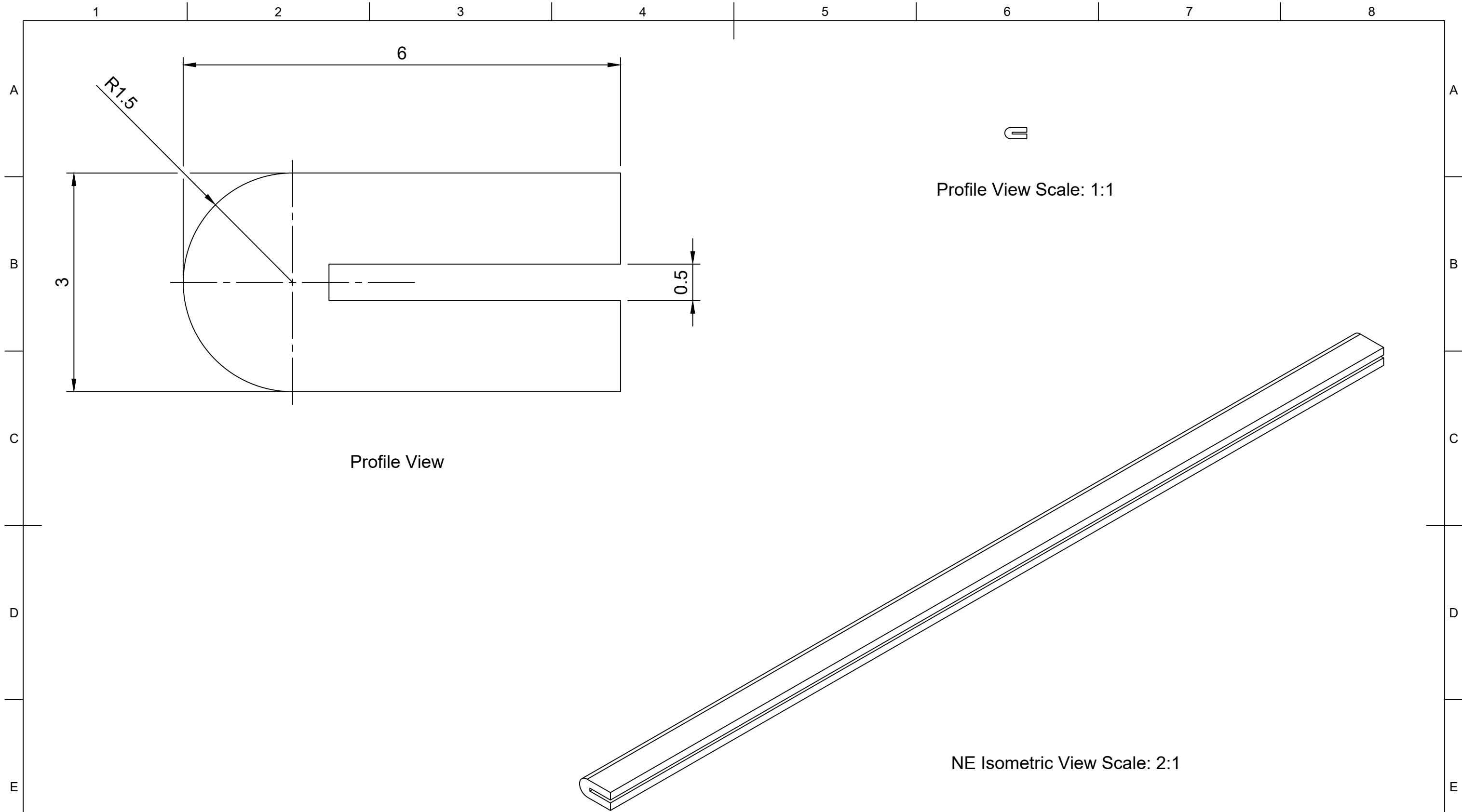
	<b>Part Number</b>				<b>Created By</b>		<b>Cross Sectional Area (mm<sup>2</sup>)</b>		<b>Nominal Dimension (mm)</b>		<b>Tolerance, ± (mm)</b>	
	204070				David Stirling		21		<b>Greater Than</b>	<b>Less Than or Equal to</b>		
	<b>Description</b> U Channel (Round Base, Round Inner)				<b>Date Drawn</b>		<b>Material</b>		0.00		1.50	0.40
					19/01/2022		Neoprene		1.50		2.50	0.50
					<b>Approved By</b>		<b>Hardness (Shore A)</b>		2.50		4.00	0.70
					70		4.00		6.30	0.80		
					<b>Date of Approval</b>		<b>Colour</b>		6.30		10.00	1.00
					Black		10.00		16.00	1.30		
					<b>Projection</b>		<b>Weight (g/m)</b>		16.00		25.00	1.60
					3rd Agl.		51		25.00		40.00	2.00
<b>Revision</b>		<b>Date of Issue</b>		<b>Sheet Scale</b>		<b>Sheet Size</b>		<b>Sheet</b>				
A		19/01/2022		10:1		A3		1/1				
								40.00		63.00	2.50	
								63.00		100.00	3.20	
								100.00		---	3.20%	


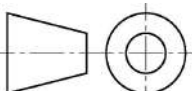


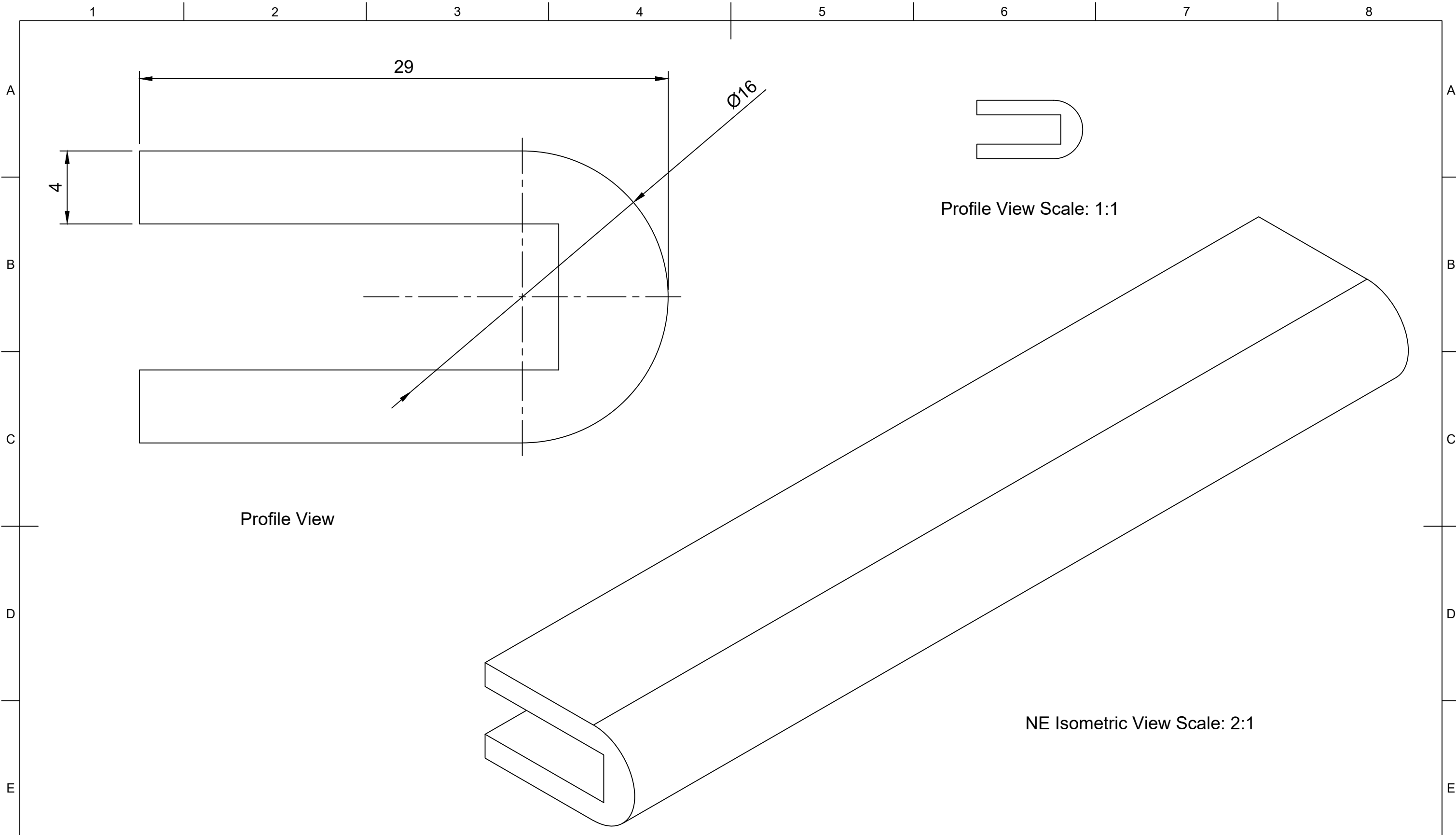
Part Number		205220			Created By	David Stirling	Cross Sectional Area (mm <sup>2</sup> )	86		Nominal Dimension (mm)		Tolerance, ± (mm)
					Date Drawn	28/04/2020	Material	EPDM	Greater Than	Less Than or Equal to		
Description		U Channel (Round Base, Round Inner)			Approved By		Hardness (Shore A)	70		0.00	1.50	0.40
					Date of Approval		Colour	Black	1.50	2.50	0.50	
Revision	Date of Issue	Sheet Scale	Sheet Size	Sheet	Projection	3rd Agl.	Weight (g/m)	109		2.50	4.00	0.70
A	19/01/2022	1:1	A3	1/1						6.30	10.00	1.00
										10.00	16.00	1.30
										16.00	25.00	1.60
										25.00	40.00	2.00
										40.00	63.00	2.50
										63.00	100.00	3.20
										100.00		3.20%



Part Number <b>209052</b>					Created By David Stirling		Cross Sectional Area (mm <sup>2</sup> ) 102		Nominal Dimension (mm)		Tolerance, ± (mm)
					Date Drawn 28/04/2020		Material EPDM		Greater Than	Less Than or Equal to	
Description <b>U Channel (Round Base, Round Inner)</b>					Approved By		Hardness (Shore A) 70		0.00	1.50	0.40
					Date of Approval		Colour Black		1.50	2.50	0.50
Revision A	Date of Issue 19/01/2022	Sheet Scale 1:1	Sheet Size A3	Sheet 1/1	Projection 3rd Agl.	Weight (g/m) 112		2.50	4.00	0.70	
								4.00	6.30	0.80	
								6.30	10.00	1.00	
								10.00	16.00	1.30	
								16.00	25.00	1.60	
							25.00	40.00	2.00		
							40.00	63.00	2.50		
							63.00	100.00	3.20		
							100.00		3.20%		



	<b>Part Number</b>				<b>Created By</b>		<b>Cross Sectional Area (mm<sup>2</sup>)</b>		<b>Nominal Dimension (mm)</b>		<b>Tolerance, ± (mm)</b>
	200662				David Stirling		15		<b>Greater Than</b>	<b>Less Than or Equal to</b>	
					<b>Date Drawn</b>		<b>Material</b>		0.00	1.50	0.40
					22/04/2020		EPDM		1.50	2.50	0.50
	<b>Description</b>				<b>Approved By</b>		<b>Hardness (Shore A)</b>		2.50	4.00	0.70
	U Channel (Round Base, Square Inner)						70		4.00	6.30	0.80
					<b>Date of Approval</b>		<b>Colour</b>		6.30	10.00	1.00
							Black		10.00	16.00	1.30
	<b>Revision</b>	<b>Date of Issue</b>	<b>Sheet Scale</b>	<b>Sheet Size</b>	<b>Sheet</b>	<b>Projection</b>	<b>Weight (g/m)</b>		16.00	25.00	1.60
	A	18/01/2022	20:1	A3	1/1	3rd Agl. 	19		25.00	40.00	2.00
								40.00	63.00	2.50	
								63.00	100.00	3.20	
								100.00		3.20%	

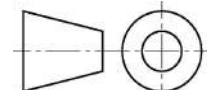


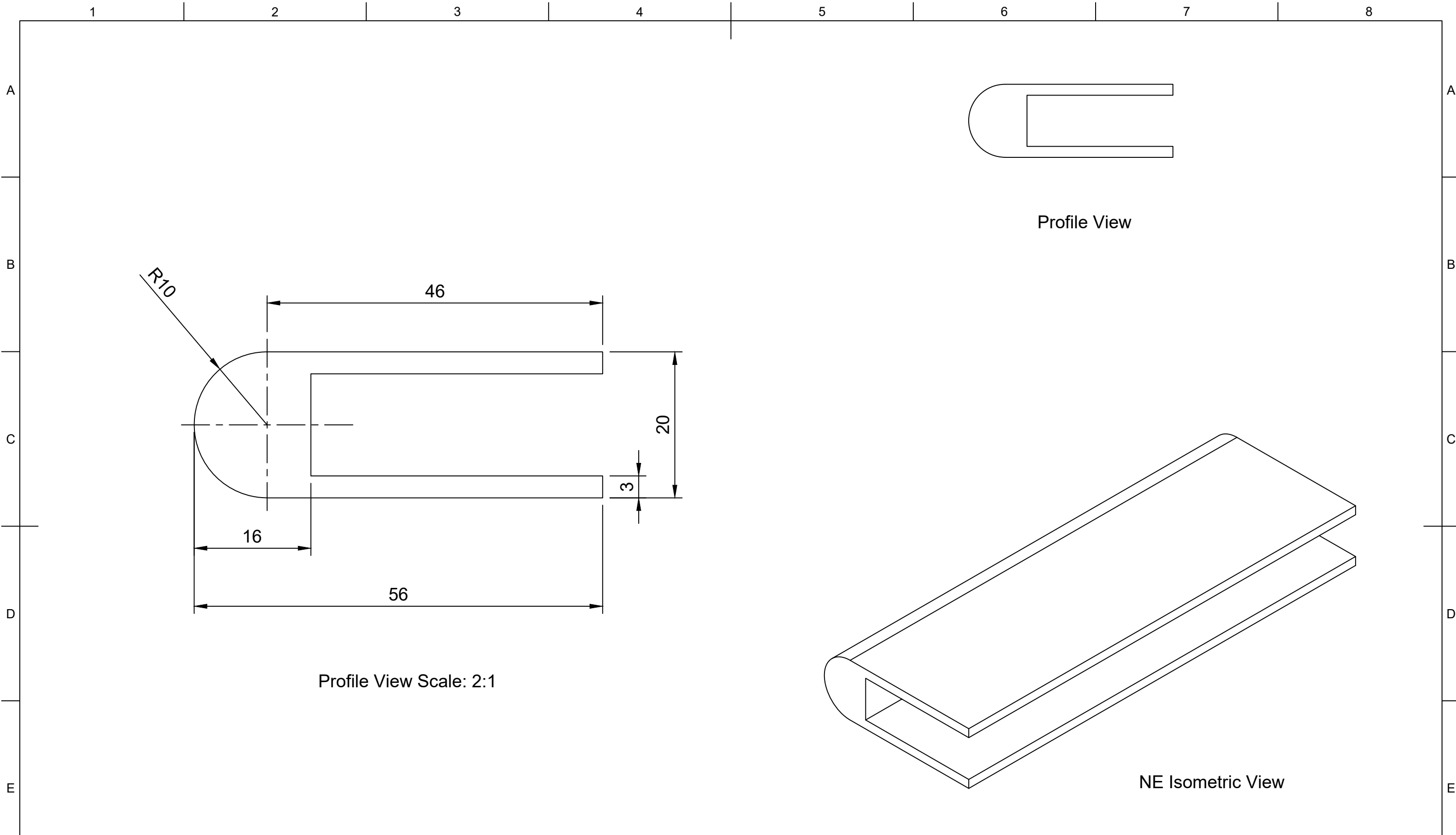
Profile View

Profile View Scale: 1:1

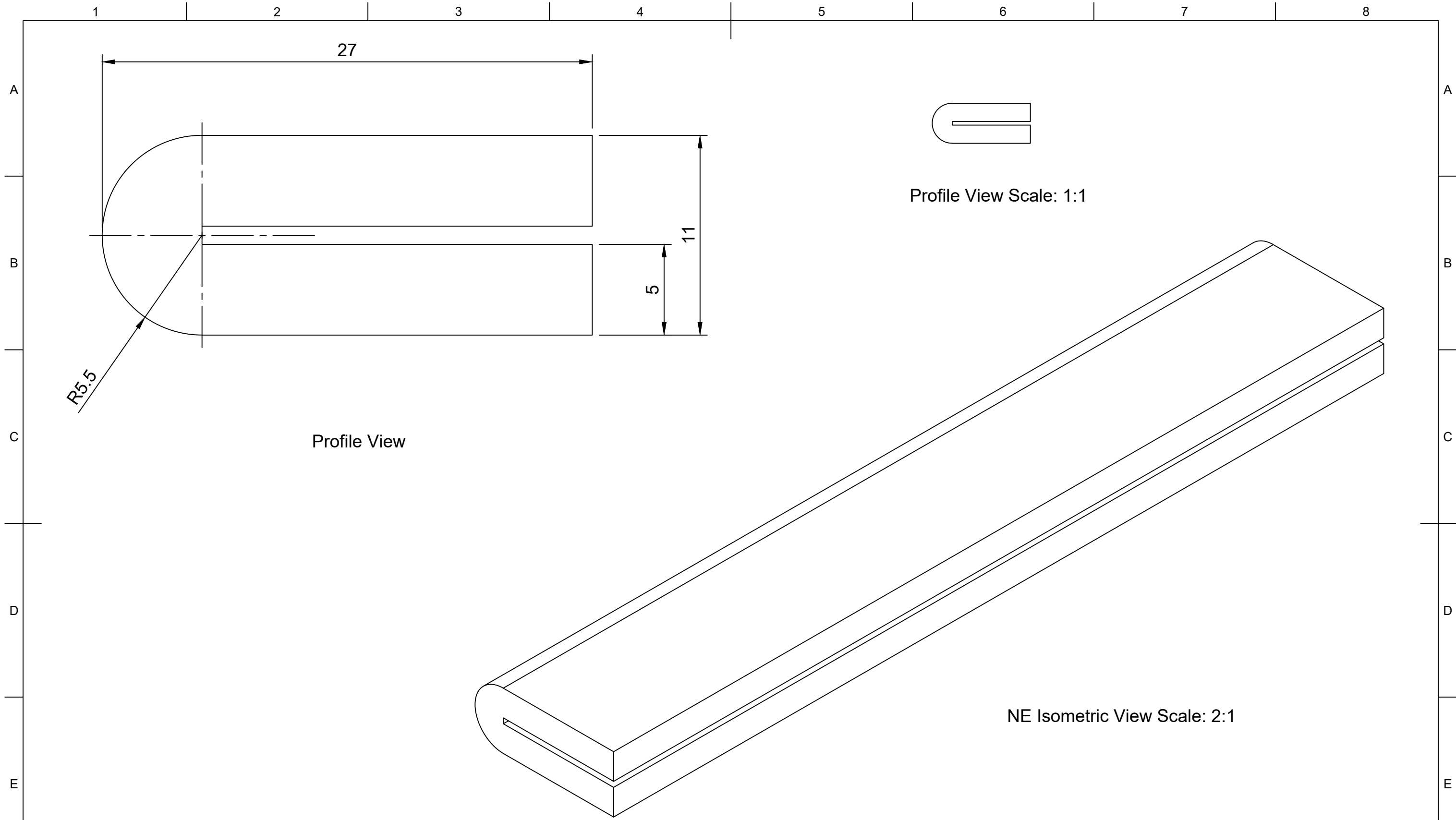
NE Isometric View Scale: 2:1



Part Number <b>203008</b>					Created By David Stirling		Cross Sectional Area (mm <sup>2</sup> ) 253		Nominal Dimension (mm)		Tolerance, ± (mm)
					Date Drawn 14/04/2020		Material EPDM		Greater Than	Less Than or Equal to	
Description <b>U Channel - Round Base, Square Centre</b>					Approved By		Hardness (Shore A) 70		0.00	1.50	0.40
					Date of Approval		Colour Black		1.50	2.50	0.50
					Projection 3rd Agl. 		Weight (g/m) 320		2.50	4.00	0.70
Revision A	Date of Issue 13/01/2022	Sheet Scale 5:1	Sheet Size A3	Sheet 1/1					4.00	6.30	0.80
								6.30	10.00	1.00	
								10.00	16.00	1.30	
								16.00	25.00	1.60	
								25.00	40.00	2.00	
								40.00	63.00	2.50	
								63.00	100.00	3.20	
								100.00		3.20%	



<b>WALKERRUBBER</b> LTD	<b>Part Number</b>				<b>Created By</b>		<b>Cross Sectional Area (mm<sup>2</sup>)</b>		<b>Nominal Dimension (mm)</b>		<b>Tolerance, ± (mm)</b>
	203692				David Stirling		517		<b>Greater Than</b>	<b>Less Than or Equal to</b>	
	<b>Description</b>				<b>Date Drawn</b>		<b>Material</b>		0.00	1.50	0.40
	U Channel (Round Base, Square Inner)				15/05/2020		EPDM		1.50	2.50	0.50
	<b>Revision</b>				<b>Approved By</b>		<b>Hardness (Shore A)</b>		2.50	4.00	0.70
	A	<b>Date of Issue</b>		<b>Sheet Scale</b>	<b>Sheet Size</b>	<b>Sheet</b>	<b>Date of Approval</b>		4.00	6.30	0.80
		24/01/2022		1:1	A3	1/1	3rd Agl.		6.30	10.00	1.00
							<b>Weight (g/m)</b>		10.00	16.00	1.30
							651		16.00	25.00	1.60
									25.00	40.00	2.00
								40.00	63.00	2.50	
								63.00	100.00	3.20	
								100.00		3.20%	

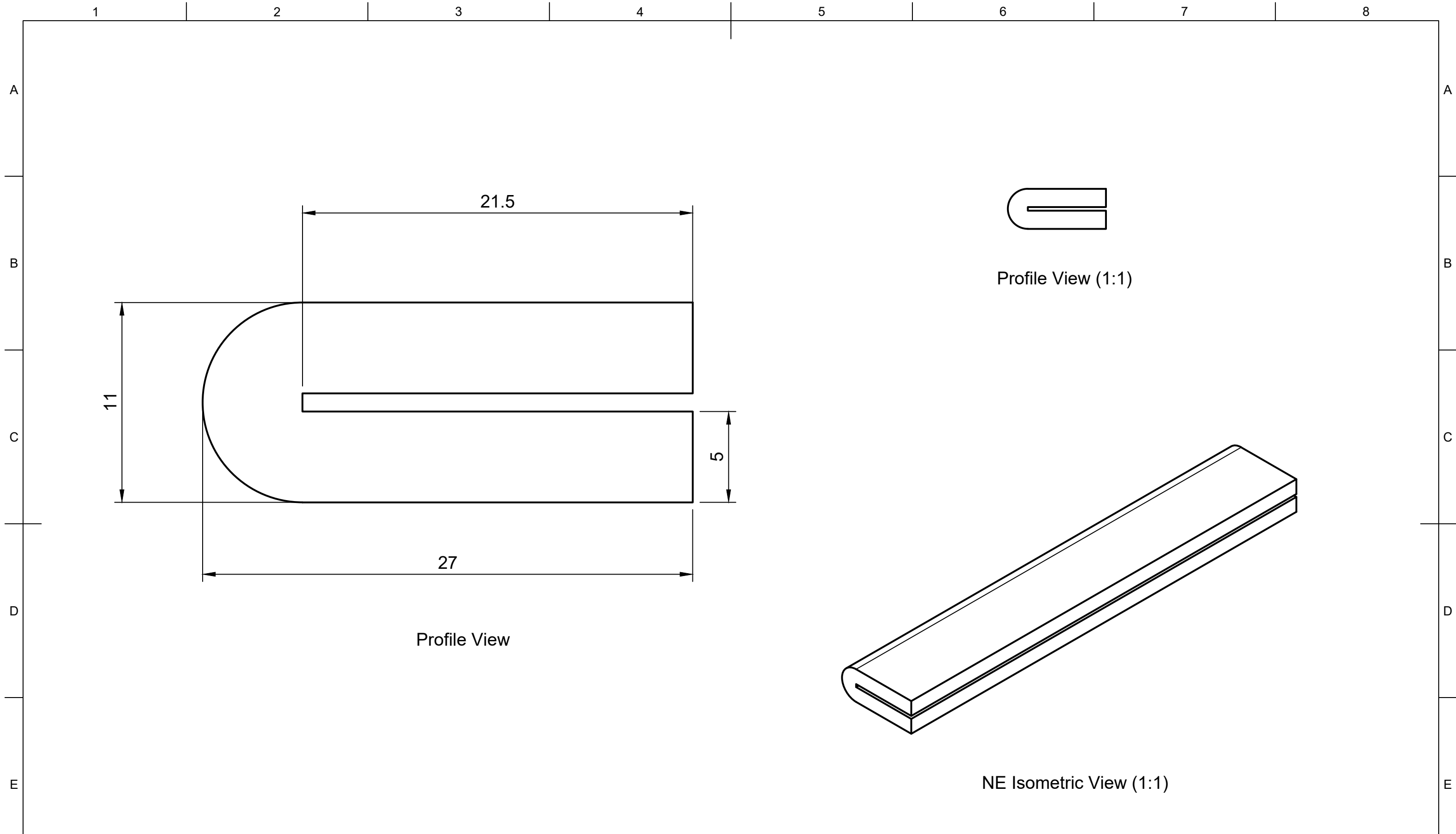


Profile View

NE Isometric View Scale: 2:1

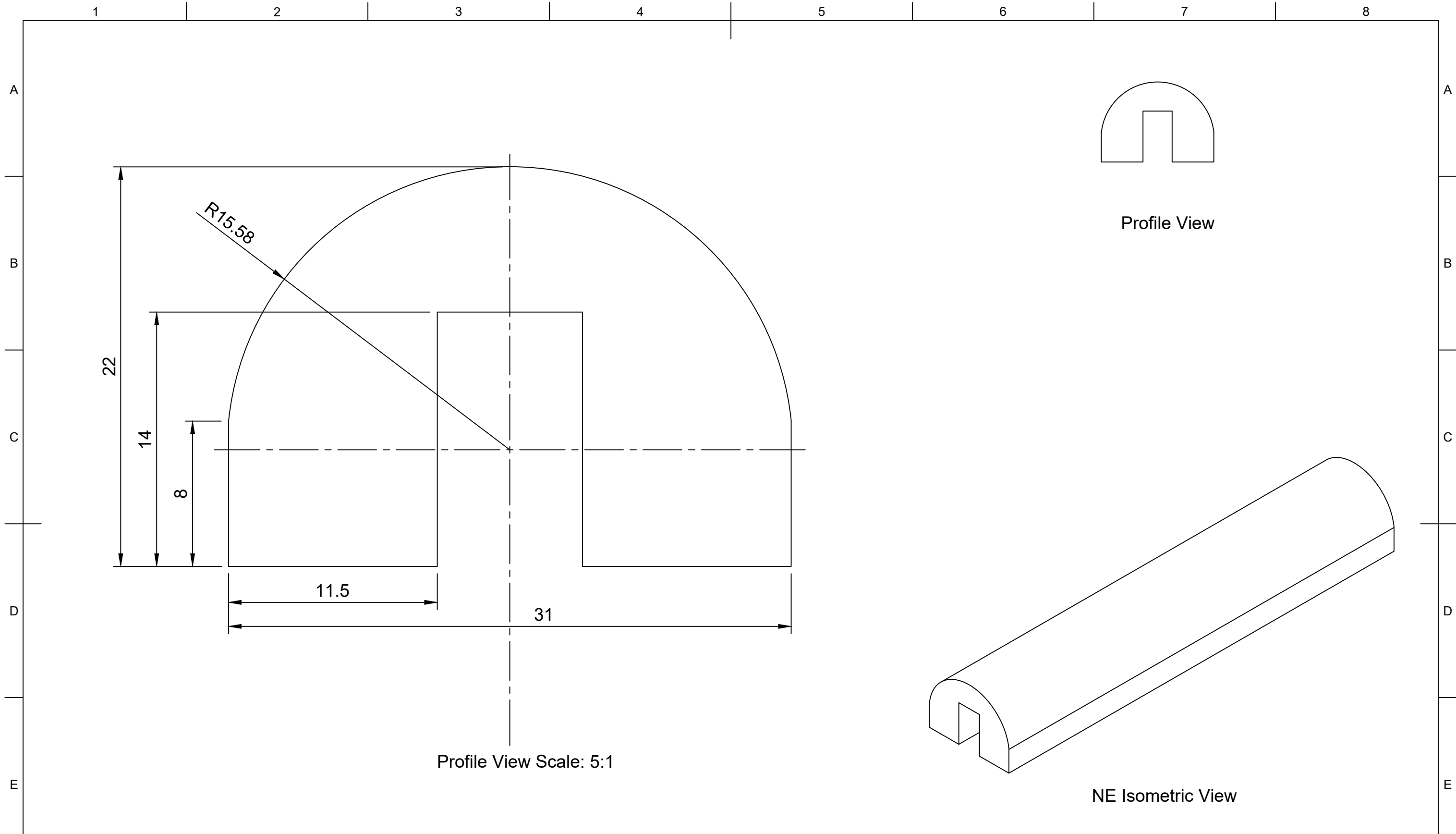


Part Number <b>206383</b>					Created By David Stirling		Cross Sectional Area (mm <sup>2</sup> ) 263		Nominal Dimension (mm)		Tolerance, ± (mm)
					Date Drawn 24/04/2020		Material EPDM		Greater Than	Less Than or Equal to	
Description <b>U Channel (Round Base, Square Inner)</b>					Approved By		Hardness (Shore A) 70		0.00	1.50	0.40
					Date of Approval		Colour Black		1.50	2.50	0.50
Revision A	Date of Issue 18/01/2022	Sheet Scale 5:1	Sheet Size A3	Sheet 1/1	Projection 3rd Agl.	Weight (g/m) 332		2.50	4.00	0.70	
								4.00	6.30	0.80	
								6.30	10.00	1.00	
								10.00	16.00	1.30	
								16.00	25.00	1.60	
							25.00	40.00	2.00		
							40.00	63.00	2.50		
							63.00	100.00	3.20		
							100.00		3.20%		

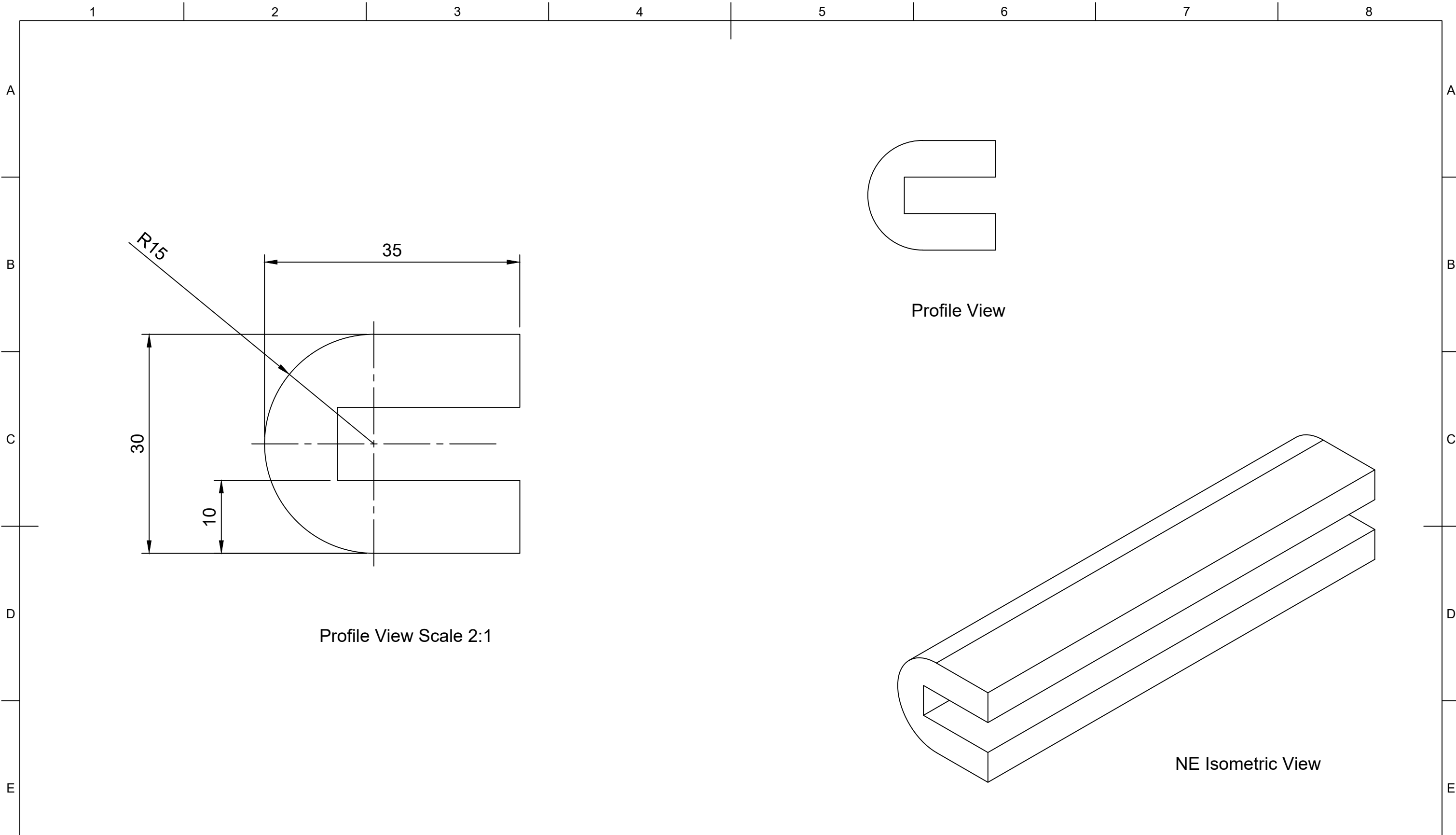


<b>WALKERRUBBER</b> LTD	<b>Part Number</b>				<b>Created By</b>		<b>Cross Sectional Area (mm<sup>2</sup>)</b>		<b>Nominal Dimension (mm)</b>		<b>Tolerance, ± (mm)</b>						
	207527				David Stirling		263		<b>Greater Than</b>	<b>Less Than or Equal to</b>							
	<b>Description</b>				<b>Date Drawn</b>		<b>Material</b>		0.00	1.50	0.40						
					18/01/2022		Neoprene		1.50	2.50	0.50						
	U Channel (Round Base, Square Inner)				<b>Approved By</b>		<b>Hardness (Shore A)</b>		2.50	4.00	0.70						
					<b>Date of Approval</b>		70		4.00	6.30	0.80						
	<b>Revision</b> A				<b>Date of Issue</b> 18/01/2022		<b>Sheet Scale</b> 5:1		<b>Sheet Size</b> A3		<b>Sheet</b> 1/1		<b>Projection</b>		6.30	10.00	1.00
													3rd Agl.		<b>Colour</b>		10.00
	<b>Weight (g/m)</b> 404						<b>Weight (g/m)</b> 404		16.00	25.00	1.60						
									25.00	40.00	2.00						
40.00									63.00	2.50							
63.00									100.00	3.20							
								100.00		3.20%							

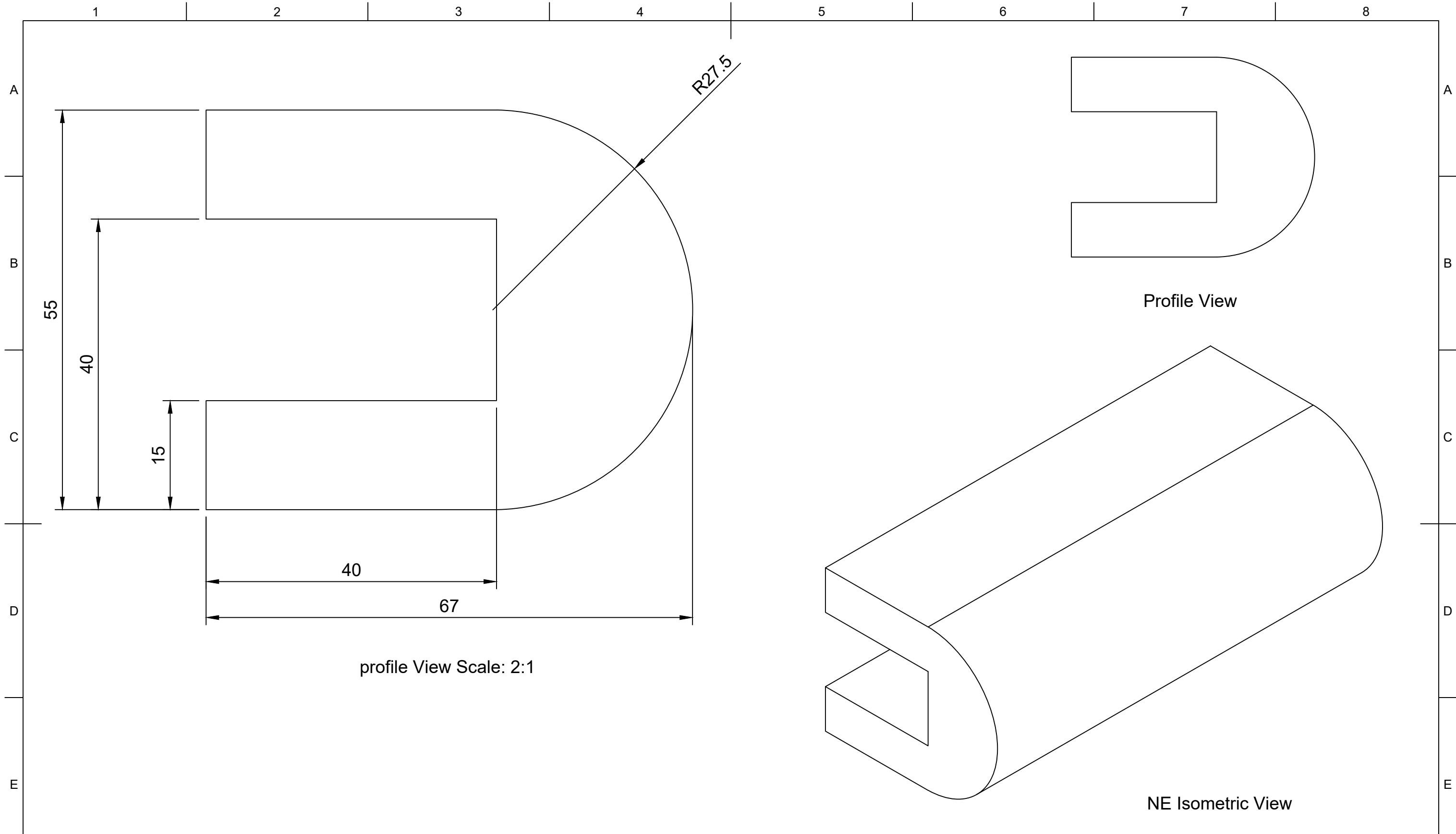



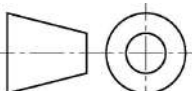


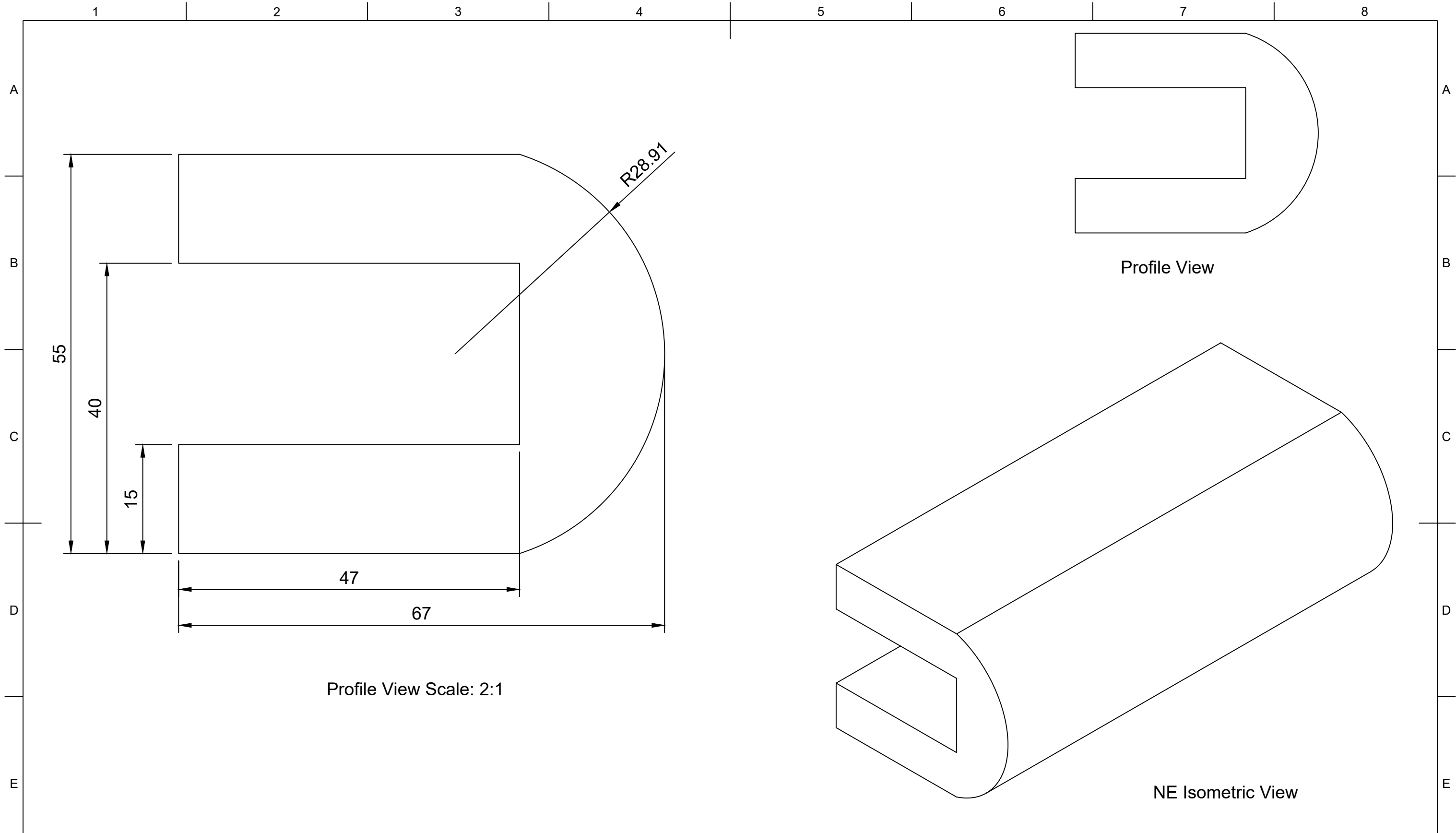
	<b>Part Number</b>				<b>Created By</b>		<b>Cross Sectional Area (mm<sup>2</sup>)</b>		<b>Nominal Dimension (mm)</b>		<b>Tolerance, ± (mm)</b>
	208150				David Stirling		468		<b>Greater Than</b>	<b>Less Than or Equal to</b>	
	<b>Description</b>				<b>Date Drawn</b>		<b>Material</b>		0.00	1.50	0.40
	U Channel (Round Base, Square Inner)				03/05/2020		EPDM		1.50	2.50	0.50
	<b>Revision</b>				<b>Approved By</b>		<b>Hardness (Shore A)</b>		2.50	4.00	0.70
	A	<b>Date of Issue</b>		<b>Sheet Scale</b>	<b>Sheet Size</b>	<b>Sheet</b>	70		4.00	6.30	0.80
		20/01/2022		1:1	A3	1/1	<b>Date of Approval</b>		6.30	10.00	1.00
							<b>Colour</b>		10.00	16.00	1.30
							Black		16.00	25.00	1.60
							<b>Projection</b>		25.00	40.00	2.00
						3rd Agl.		40.00	63.00	2.50	
						<b>Weight (g/m)</b>		63.00	100.00	3.20	
						590		100.00		3.20%	



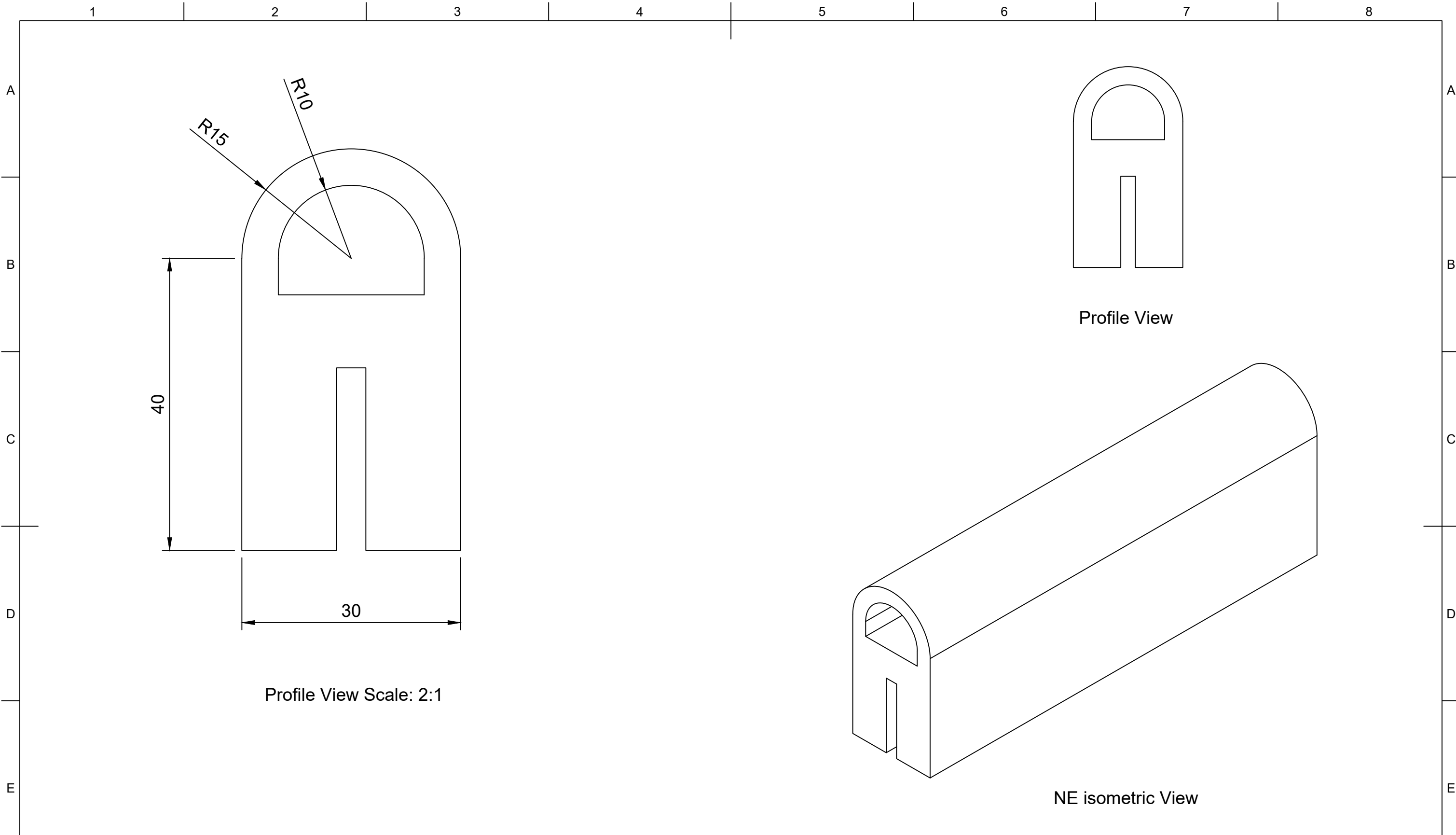
Part Number <b>208622</b>					Created By David Stirling		Cross Sectional Area (mm <sup>2</sup> ) 703		Nominal Dimension (mm)		Tolerance, ± (mm)
					Date Drawn 27/04/2020		Material EPDM		Greater Than	Less Than or Equal to	
Description <b>U Channel (Round Base, Square Inner)</b>					Approved By		Hardness (Shore A) 70		0.00	1.50	0.40
					Date of Approval		Colour Black		1.50	2.50	0.50
Revision A	Date of Issue 19/01/2022	Sheet Scale 1:1	Sheet Size A3	Sheet 1/1	Projection 3rd Agl.	Weight (g/m) 886		2.50	4.00	0.70	
				25.00		40.00	2.00				
				40.00	63.00	2.50					
				63.00	100.00	3.20					
				100.00	—	3.20%					



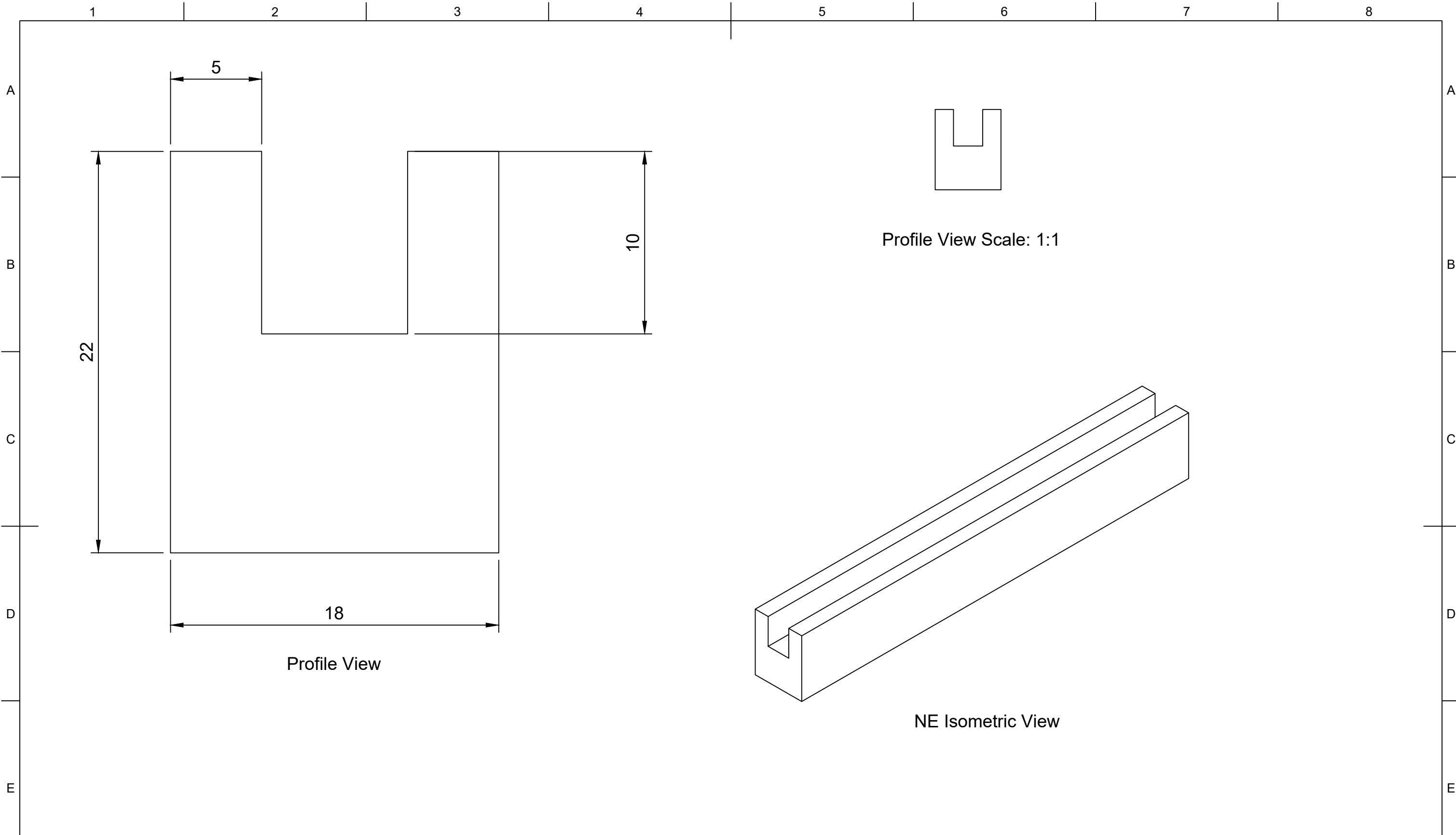
	<b>Part Number</b>				<b>Created By</b>		<b>Cross Sectional Area (mm<sup>2</sup>)</b>		<b>Nominal Dimension (mm)</b>		<b>Tolerance, ± (mm)</b>
	205137				Isaac Erskine		2361		<b>Greater Than</b>	<b>Less Than or Equal to</b>	
					Date Drawn		Material		0.00	1.50	0.40
					15/09/2020		EPDM		1.50	2.50	0.50
	<b>Description</b>				<b>Approved By</b>		<b>Hardness (Shore A)</b>		2.50	4.00	0.70
	U Channel (Round Base, Square Inner)				Isaac Erskine		70		4.00	6.30	0.80
					Date of Approval		Colour		6.30	10.00	1.00
					01/03/2022		Black		10.00	16.00	1.30
									16.00	25.00	1.60
									25.00	40.00	2.00
<b>Revision</b>	<b>Date of Issue</b>	<b>Sheet Scale</b>	<b>Sheet Size</b>	<b>Sheet</b>	<b>Projection</b>	<b>Weight (kg/m)</b>		40.00	63.00	2.50	
A	01/03/2022	1:1	A3	1/1	3rd Agl. 	2.975		63.00	100.00	3.20	
								100.00		3.20%	



Part Number <b>208120</b>					Created By Isaac Erskine		Cross Sectional Area (mm <sup>2</sup> ) 2216		Nominal Dimension (mm)		Tolerance, ± (mm)
					Date Drawn 15/09/2020		Material EPDM		Greater Than	Less Than or Equal to	
Description <b>U Channel (Round Base, Square Inner)</b>					Approved By Isaac Erskine		Hardness (Shore A) 70		0.00	1.50	0.40
					Date of Approval 01/03/2022		Colour Black		1.50	2.50	0.50
Revision A	Date of Issue 01/03/2022	Sheet Scale 1:1	Sheet Size A3	Sheet 1/1	Projection 3rd Agl.	Weight (kg/m) 2.792		2.50	4.00	0.70	
						4.00	6.30	0.80			
								6.30	10.00	1.00	
								10.00	16.00	1.30	
								16.00	25.00	1.60	
								25.00	40.00	2.00	
								40.00	63.00	2.50	
								63.00	100.00	3.20	
								100.00		3.20%	



Part Number <b>203548</b>					Created By David Stirling		Cross Sectional Area (mm <sup>2</sup> ) 1196		Nominal Dimension (mm)		Tolerance, ± (mm)
					Date Drawn 03/05/2020		Material EPDM		Greater Than	Less Than or Equal to	
Description <b>U Channel (Round Base, Square Inner) - D Centre</b>					Approved By		Hardness (Shore A) 70		0.00	1.50	0.40
					Date of Approval		Colour Black		1.50	2.50	0.50
Revision A	Date of Issue 20/01/2022	Sheet Scale 1:1	Sheet Size A3	Sheet 1/1	Projection 3rd Agl.	Weight (kg/m) 1.510		2.50	4.00	0.70	
						6.30	10.00	1.00			
						10.00	16.00	1.30			
						16.00	25.00	1.60			
						25.00	40.00	2.00			
						40.00	63.00	2.50			
						63.00	100.00	3.20			
						100.00		3.20%			



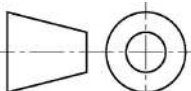
Profile View Scale: 1:1

Profile View

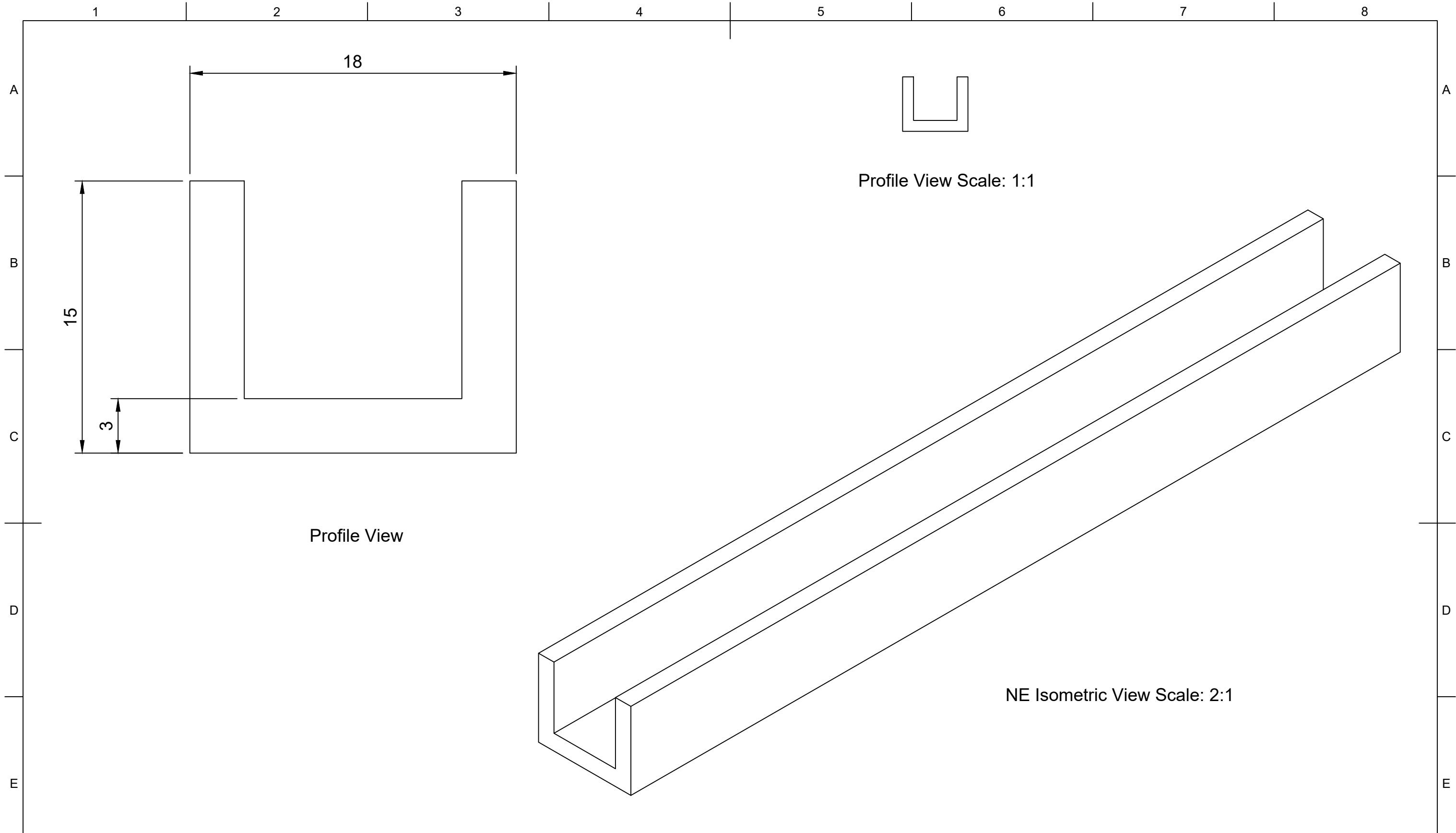
NE Isometric View



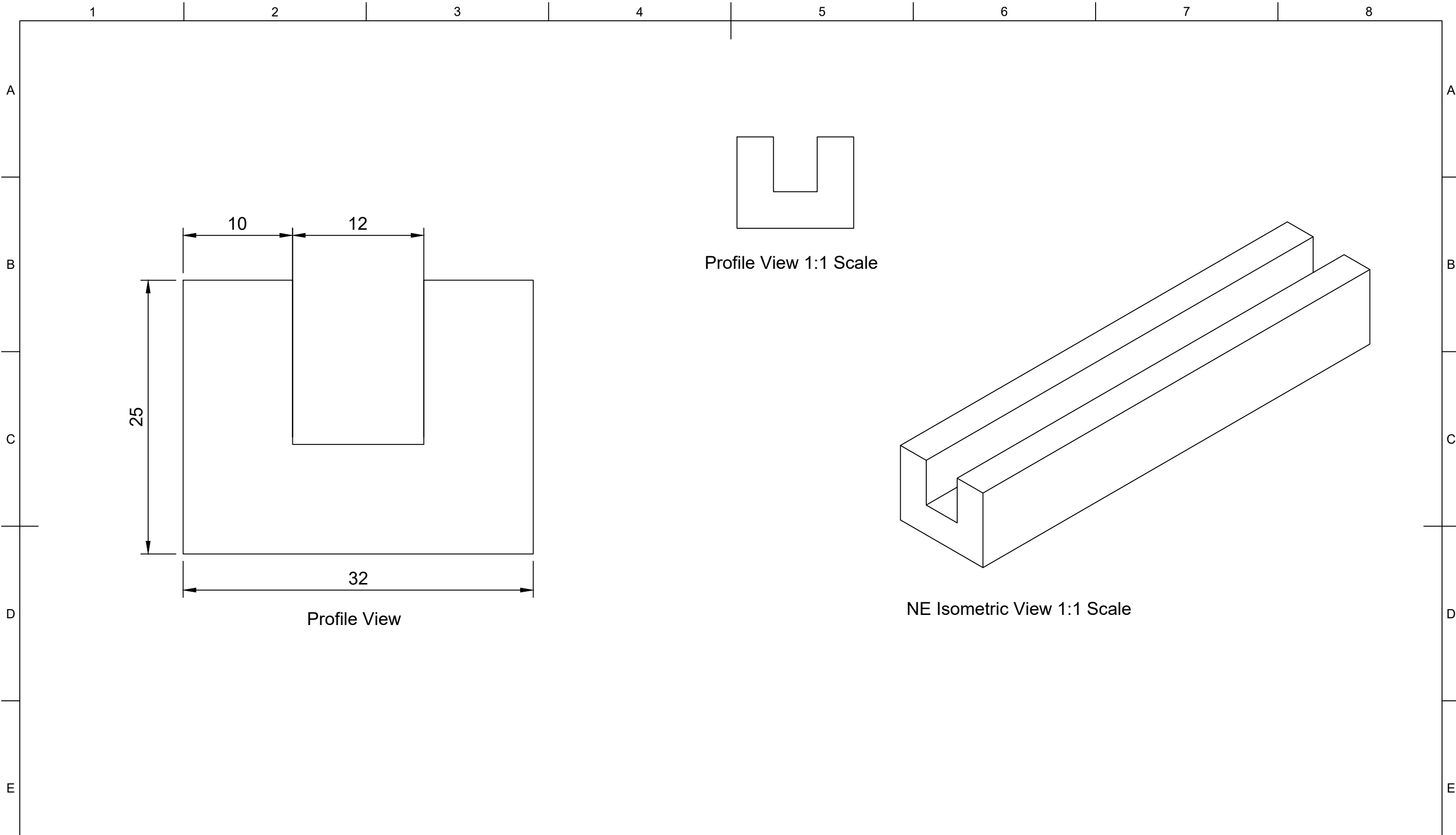
<b>Part Number</b>					<b>200025</b>				
<b>Description</b>					<b>U Channel (Square Base, Square Inner)</b>				
<b>Revision</b>	<b>Date of Issue</b>	<b>Sheet Scale</b>	<b>Sheet Size</b>	<b>Sheet</b>					
A	19/01/2022	5:1	A3	1/1					

<b>Created By</b>	David Stirling	<b>Cross Sectional Area (mm<sup>2</sup>)</b>	316
<b>Date Drawn</b>	26/04/2020	<b>Material</b>	EPDM
<b>Approved By</b>	Adam Harvey	<b>Hardness (Shore A)</b>	70
<b>Date of Approval</b>	19/01/2022	<b>Colour</b>	Black
<b>Projection</b>	3rd Agl. 	<b>Weight (g/m)</b>	398

Nominal Dimension (mm)		Tolerance, ± (mm)
Greater Than	Less Than or Equal to	
0.00	1.50	0.40
1.50	2.50	0.50
2.50	4.00	0.70
4.00	6.30	0.80
6.30	10.00	1.00
10.00	16.00	1.30
16.00	25.00	1.60
25.00	40.00	2.00
40.00	63.00	2.50
63.00	100.00	3.20
100.00		3.20%

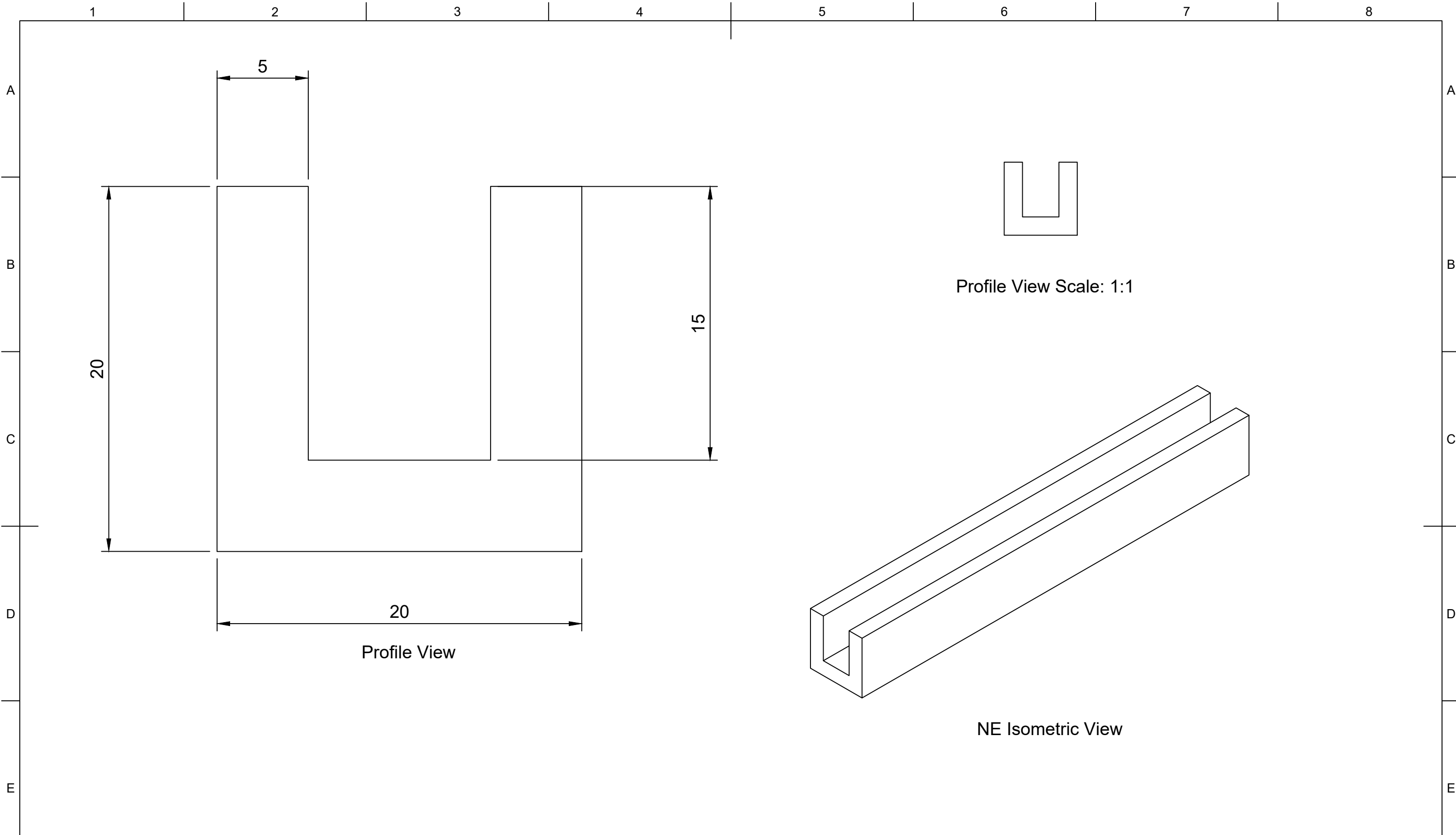


<b>Part Number</b> 200160					<b>Created By</b> David Stirling		<b>Cross Sectional Area (mm<sup>2</sup>)</b> 126		<b>Nominal Dimension (mm)</b>		<b>Tolerance, ± (mm)</b>
					<b>Date Drawn</b> 25/04/2020		<b>Material</b> EPDM		<b>Greater Than</b>	<b>Less Than or Equal to</b>	
<b>Description</b> U Channel (Square Base, Square Inner)					<b>Approved By</b>		<b>Hardness (Shore A)</b> 70		0.00	1.50	0.40
					<b>Date of Approval</b>		<b>Colour</b> Black		1.50	2.50	0.50
<b>Revision</b> A	<b>Date of Issue</b> 19/01/2022	<b>Sheet Scale</b> 5:1	<b>Sheet Size</b> A3	<b>Sheet</b> 1/1	<b>Projection</b> 3rd Agl.		<b>Weight (g/m)</b> 159		2.50	4.00	0.70
									4.00	6.30	0.80
									6.30	10.00	1.00
									10.00	16.00	1.30
									16.00	25.00	1.60
								25.00	40.00	2.00	
								40.00	63.00	2.50	
								63.00	100.00	3.20	
								100.00		3.20%	

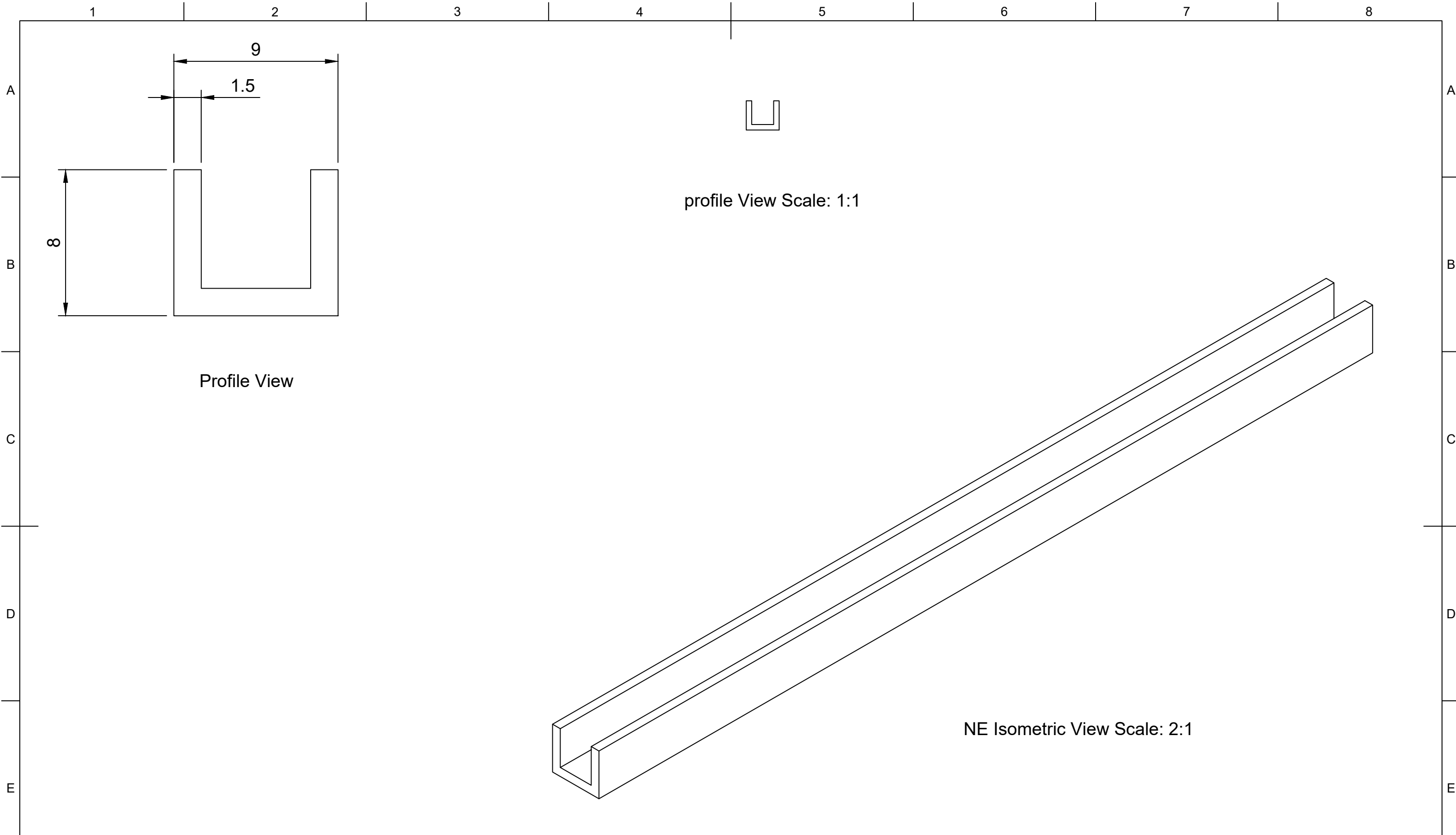


Part Number <b>200173</b>					Created By David Stirling		Cross Sectional Area (mm <sup>2</sup> ) 620		Nominal Dimension (mm)		Tolerance, ± (mm)
					Date Drawn 15/07/2020		Material EPDM		Greater Than	Less Than or Equal to	
Description <b>U Channel (Square Base, Square Inner)</b>					Approved By		Hardness (Shore A) 70		0.00	1.50	0.40
					Date of Approval		Colour Black		1.50	2.50	0.50
Revision A	Date of Issue 18/01/2022	Sheet Scale 3	Sheet Size A3	Sheet 1/1	Projection 3rd Agl.	Weight (g/m) 781		2.50	4.00	0.70	
								4.00	6.30	0.80	
								6.30	10.00	1.00	
								10.00	16.00	1.30	
								16.00	25.00	1.60	
								25.00	40.00	2.00	
								40.00	63.00	2.50	
								63.00	100.00	3.20	
								100.00	—	3.20%	

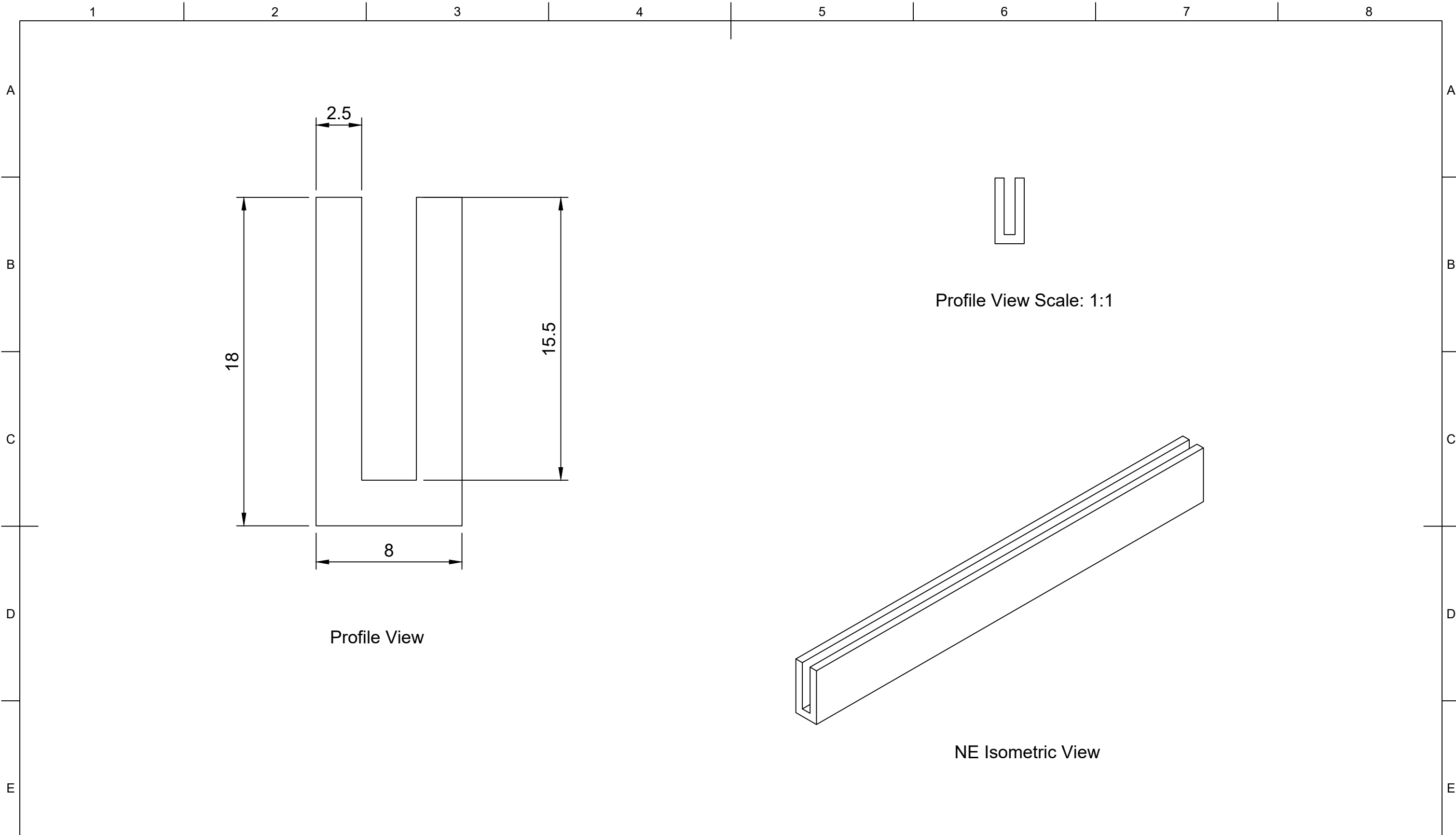



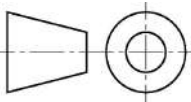


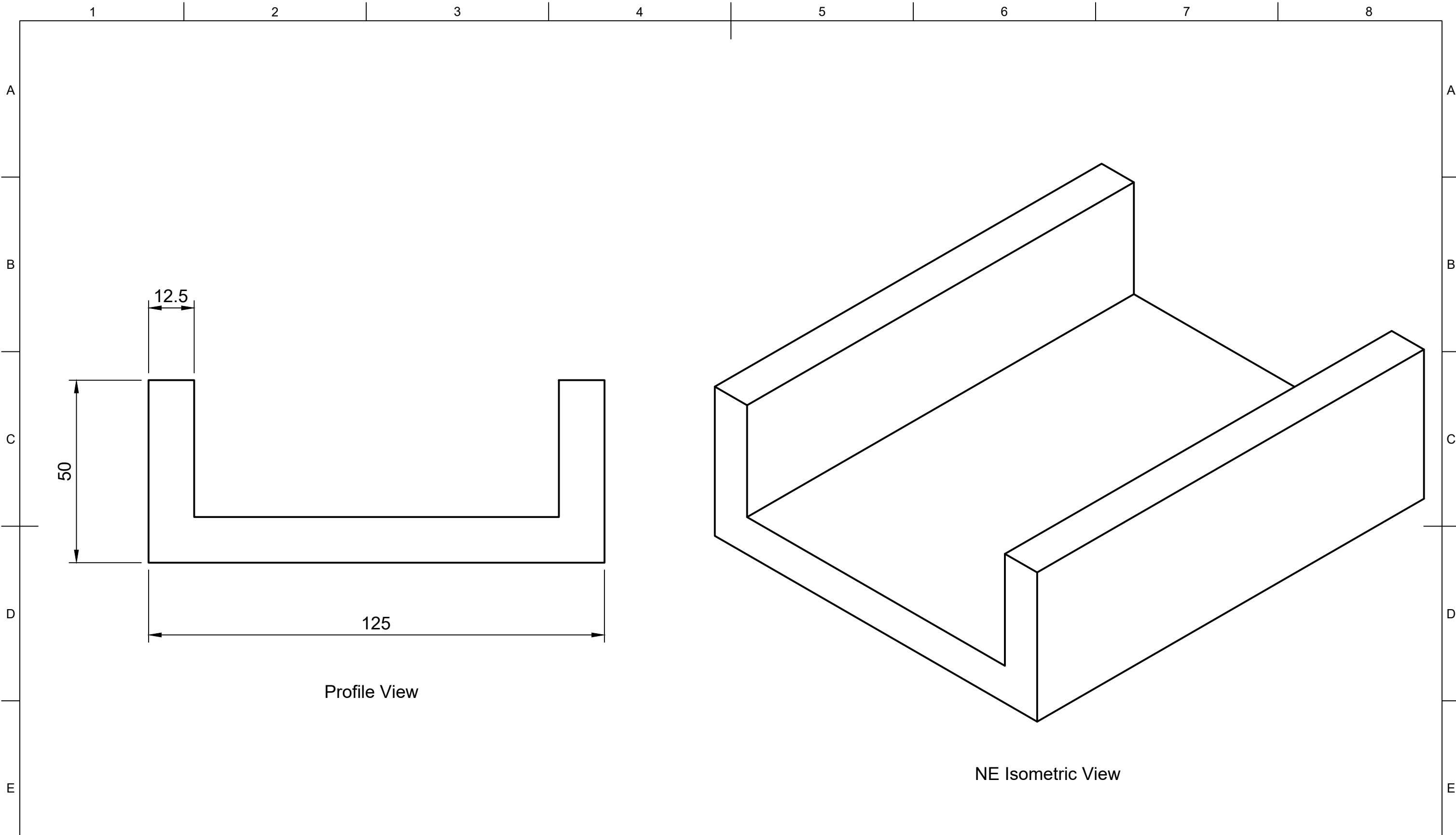
	<b>Part Number</b>				<b>Created By</b>		<b>Cross Sectional Area (mm<sup>2</sup>)</b>		<b>Nominal Dimension (mm)</b>		<b>Tolerance, ± (mm)</b>
	200451				David Stirling		250		<b>Greater Than</b>	<b>Less Than or Equal to</b>	
					<b>Date Drawn</b>		<b>Material</b>		0.00	1.50	0.40
					25/04/2020		Nitrile		1.50	2.50	0.50
	<b>Description</b>				<b>Approved By</b>		<b>Hardness (Shore A)</b>		2.50	4.00	0.70
	U Channel (Square Base, Square Inner)						70		4.00	6.30	0.80
					<b>Date of Approval</b>		<b>Colour</b>		6.30	10.00	1.00
							Black		10.00	16.00	1.30
									16.00	25.00	1.60
									25.00	40.00	2.00
<b>Revision</b>	<b>Date of Issue</b>	<b>Sheet Scale</b>	<b>Sheet Size</b>	<b>Sheet</b>	<b>Projection</b>	<b>Weight (g/m)</b>		40.00	63.00	2.50	
A	19/01/2022	5:1	A3	1/1	3rd Agl.	320		63.00	100.00	3.20	
								100.00	---	3.20%	



Part Number <b>200656</b>					Created By David Stirling		Cross Sectional Area (mm <sup>2</sup> ) 33		Nominal Dimension (mm)		Tolerance, ± (mm)
					Date Drawn 18/04/2020		Material EPDM		Greater Than	Less Than or Equal to	
Description <b>U Channel (Square Base, Square Inner)</b>					Approved By		Hardness (Shore A) 70		0.00	1.50	0.40
					Date of Approval		Colour Black		1.50	2.50	0.50
Revision A	Date of Issue 18/01/2022	Sheet Scale 5:1	Sheet Size A3	Sheet 1/1	Projection 3rd Agl.	Weight (g/m) 36		2.50	4.00	0.70	
								4.00	6.30	0.80	
								6.30	10.00	1.00	
								10.00	16.00	1.30	
								16.00	25.00	1.60	
								25.00	40.00	2.00	
								40.00	63.00	2.50	
								63.00	100.00	3.20	
								100.00		3.20%	


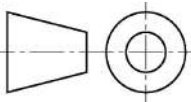


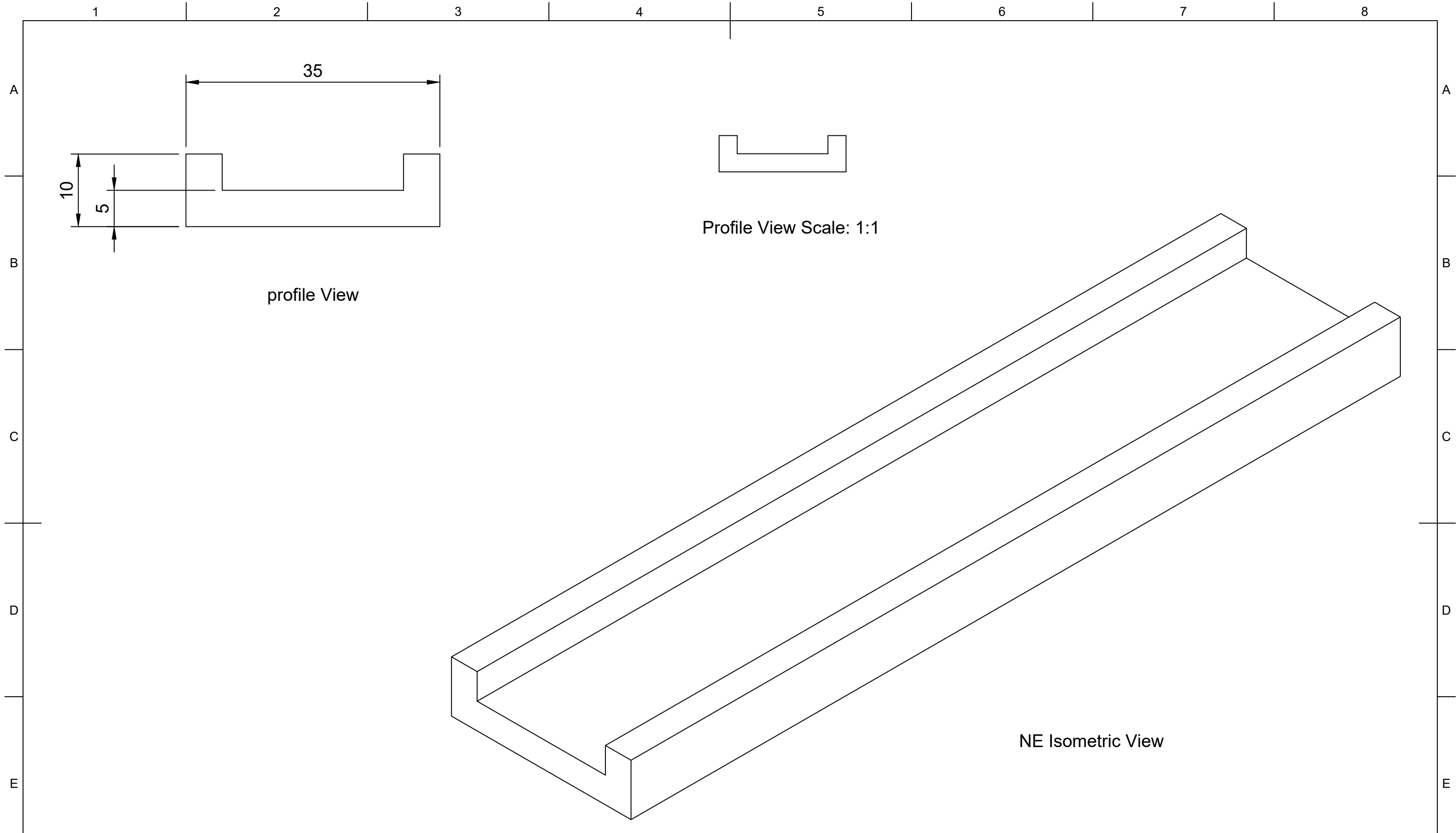
	Part Number				Created By		Cross Sectional Area (mm <sup>2</sup> )		Nominal Dimension (mm)		Tolerance, ± (mm)
	200804				David Stirling		98		Greater Than	Less Than or Equal to	
	Description				Date Drawn		Material		0.00		0.40
					17/04/2020		EPDM		1.50		0.50
	U Channel (Square Base, Square Inner)				Approved By		Hardness (Shore A)		2.50		0.70
					Date of Approval		70		4.00		0.80
	Revision				Projection		Colour		6.30		1.00
					3rd Agl. 		Black		10.00		1.30
	A		Date of Issue		Sheet Scale		Sheet Size		16.00		1.60
	18/01/2022		5:1		A3		1/1		25.00		2.00
								40.00		2.50	
								63.00		3.20	
								100.00		3.20%	



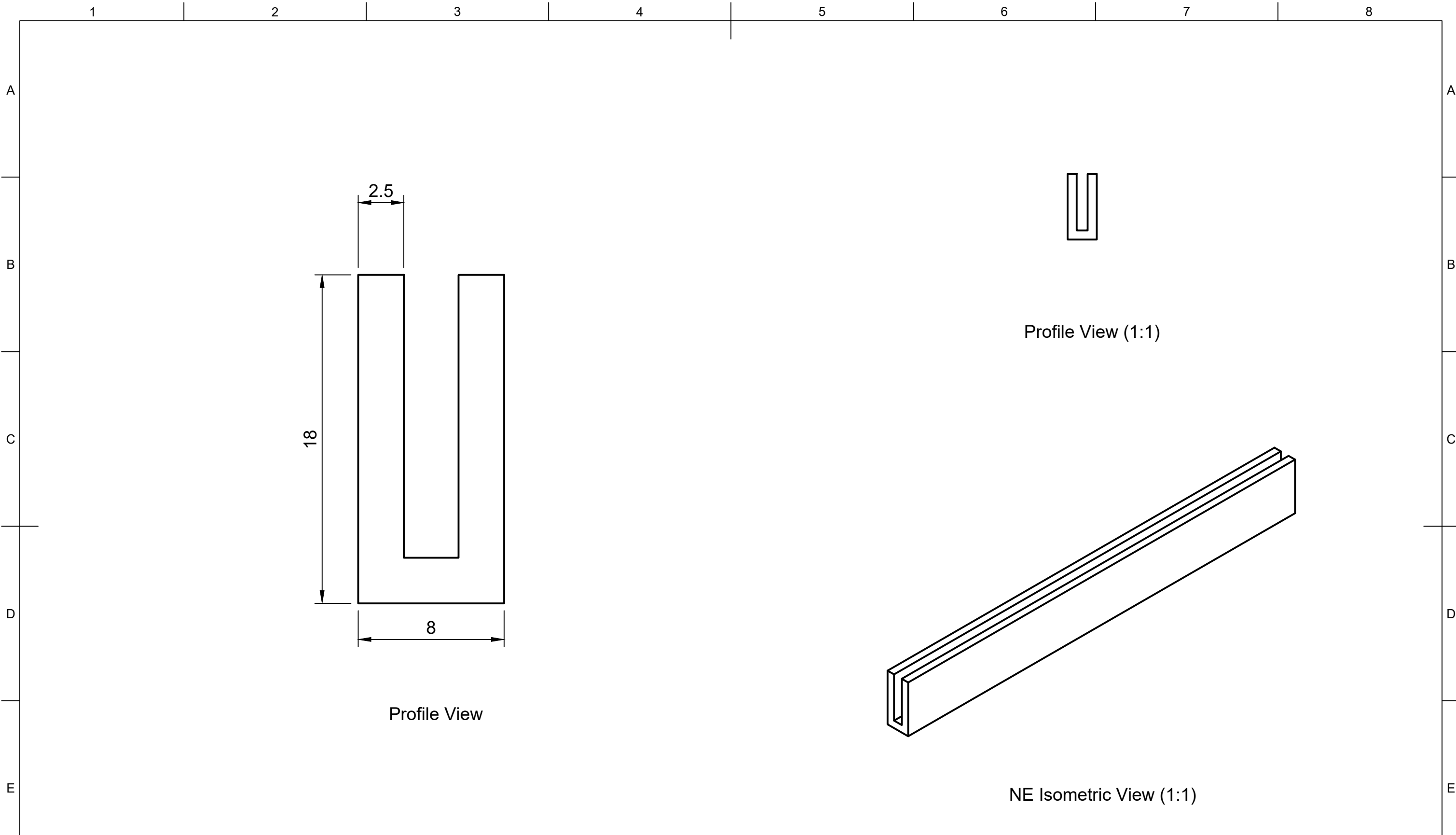
Profile View

NE Isometric View

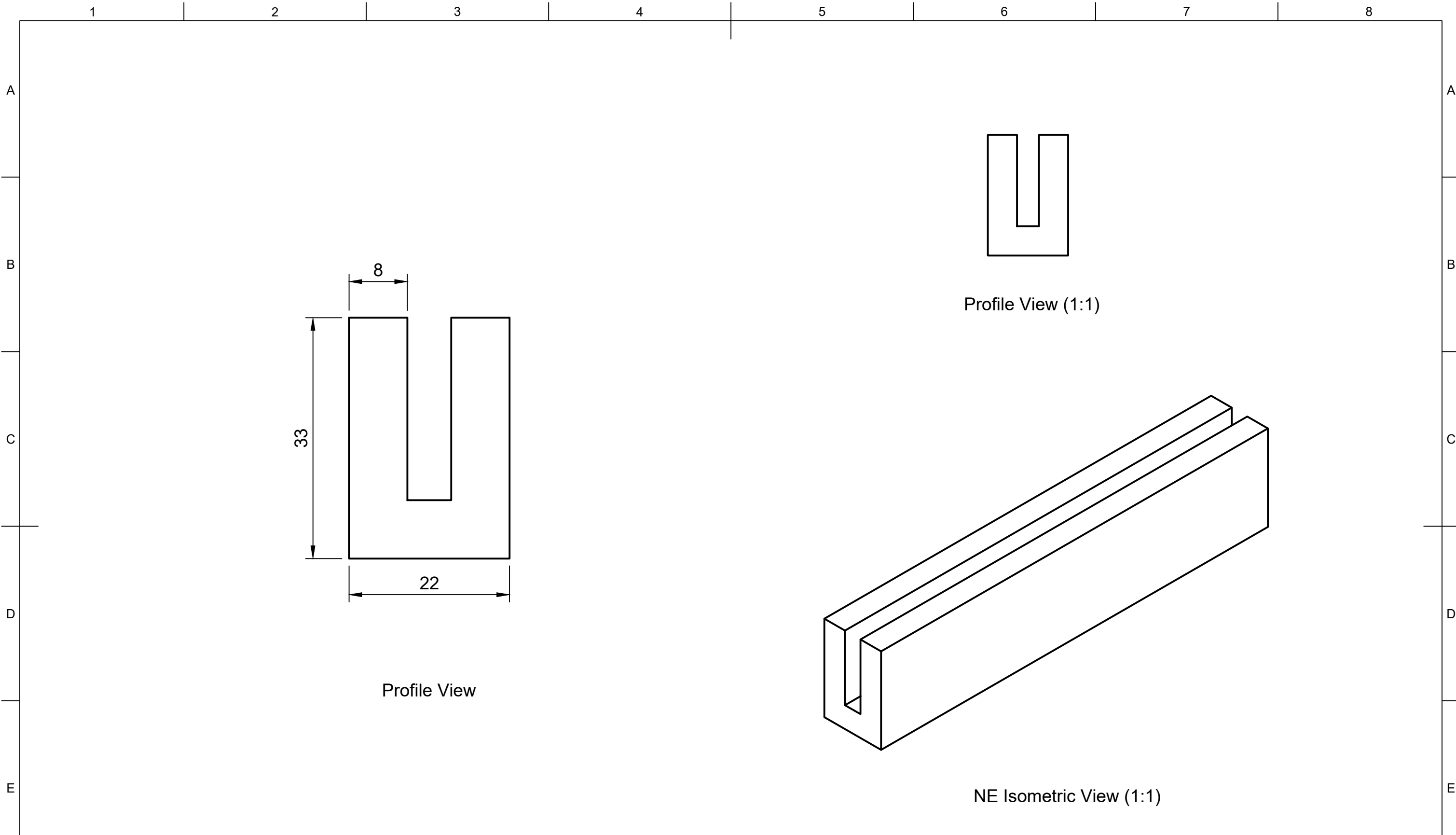
	<b>Part Number</b>				<b>Created By</b>		<b>Cross Sectional Area (mm<sup>2</sup>)</b>		<b>Nominal Dimension (mm)</b>		<b>Tolerance, ± (mm)</b>
	200849				David Stirling		2500		<b>Greater Than</b>	<b>Less Than or Equal to</b>	
	<b>Description</b>				<b>Date Drawn</b>		<b>Material</b>		0.00	1.50	0.40
					18/01/2022		Neoprene		1.50	2.50	0.50
	U Channel (Square Base, Square Inner)				<b>Approved By</b>		<b>Hardness (Shore A)</b>		2.50	4.00	0.70
					<b>Date of Approval</b>		70		4.00	6.30	0.80
	<b>Projection</b>		<b>Colour</b>				6.30	10.00	1.00		
			3rd Agl. 		Black		10.00	16.00	1.30		
	<b>Revision</b>	<b>Date of Issue</b>	<b>Sheet Scale</b>	<b>Sheet Size</b>	<b>Sheet</b>	<b>Weight (kg/m)</b>		16.00	25.00	1.60	
	A	18/01/2022	1:1	A3	1/1			25.00	40.00	2.00	
					3.775		40.00	63.00	2.50		
							63.00	100.00	3.20		
							100.00		3.20%		



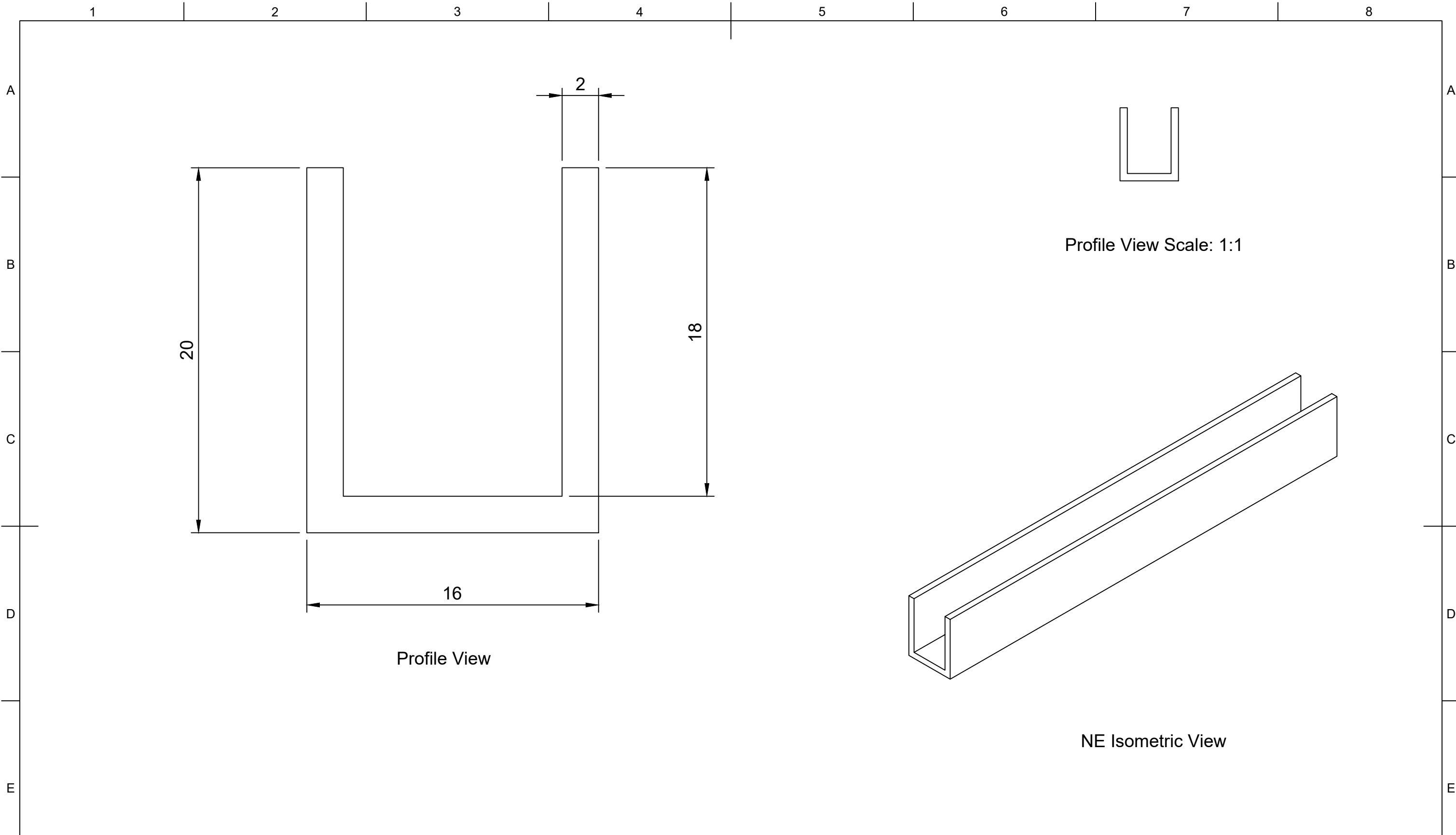
<b>Part Number</b> 200922					<b>Created By</b> David Stirling		<b>Cross Sectional Area (mm<sup>2</sup>)</b> 225		<b>Nominal Dimension (mm)</b>		<b>Tolerance, ± (mm)</b>
					<b>Date Drawn</b> 20/04/2020		<b>Material</b> EPDM		<b>Greater Than</b>	<b>Less Than or Equal to</b>	
<b>Description</b> U Channel (Square Base, Square Inner)					<b>Approved By</b>		<b>Hardness (Shore A)</b> 70		0.00	1.50	0.40
					<b>Date of Approval</b>		<b>Colour</b> Black		1.50	2.50	0.50
<b>Revision</b> A	<b>Date of Issue</b> 18/01/2022	<b>Sheet Scale</b> 2:1	<b>Sheet Size</b> A3	<b>Sheet</b> 1/1	<b>Projection</b> 3rd Agl.		<b>Weight (g/m)</b> 280		2.50	4.00	0.70
									4.00	6.30	0.80
									6.30	10.00	1.00
									10.00	16.00	1.30
									16.00	25.00	1.60
								25.00	40.00	2.00	
								40.00	63.00	2.50	
								63.00	100.00	3.20	
								100.00		3.20%	



<b>WALKERRUBBER</b> LTD	<b>Part Number</b>				<b>Created By</b>		<b>Cross Sectional Area (mm<sup>2</sup>)</b>		<b>Nominal Dimension (mm)</b>		<b>Tolerance, ± (mm)</b>		
	201196				David Stirling		98		<b>Greater Than</b>	<b>Less Than or Equal to</b>			
	<b>Description</b>				<b>Date Drawn</b>		<b>Material</b>		0.00	1.50	0.40		
					18/01/2022		Neoprene		1.50	2.50	0.50		
	U Channel (Square Base, Square Inner)				<b>Approved By</b>		<b>Hardness (Shore A)</b>		2.50	4.00	0.70		
					<b>Date of Approval</b>		70		4.00	6.30	0.80		
	<b>Revision</b> A				<b>Date of Issue</b> 18/01/2022		<b>Projection</b> 3rd Agl.		<b>Colour</b>		6.30	10.00	1.00
									Black		10.00	16.00	1.30
	<b>Sheet Scale</b> 5:1		<b>Sheet Size</b> A3		<b>Sheet</b> 1/1		<b>Weight (g/m)</b> 150		16.00	25.00	1.60		
									25.00	40.00	2.00		
40.00									63.00	2.50			
63.00									100.00	3.20			
								100.00		3.20%			



	<b>Part Number</b>				<b>Created By</b>		<b>Cross Sectional Area (mm<sup>2</sup>)</b>		<b>Nominal Dimension (mm)</b>		<b>Tolerance, ± (mm)</b>					
	201466				David Stirling		576		<b>Greater Than</b>	<b>Less Than or Equal to</b>						
	<b>Description</b>				<b>Date Drawn</b>		<b>Material</b>		0.00	1.50	0.40					
	U Channel (Square Base, Square Inner)				18/01/2022		Neoprene		1.50	2.50	0.50					
	<b>Revision</b>				<b>Approved By</b>		<b>Hardness (Shore A)</b>		2.50	4.00	0.70					
	A	Date of Issue		Sheet Scale		Sheet Size		Sheet		Date of Approval		Colour				
		18/01/2022		2:1		A3		1/1		70		Black				
										Date of Approval		Colour				
										3rd Agl.		Weight (g/m)				
										870		25.00		40.00		2.00
											40.00		63.00		2.50	
											63.00		100.00		3.20	
											100.00				3.20%	



20

2

18

16

Profile View

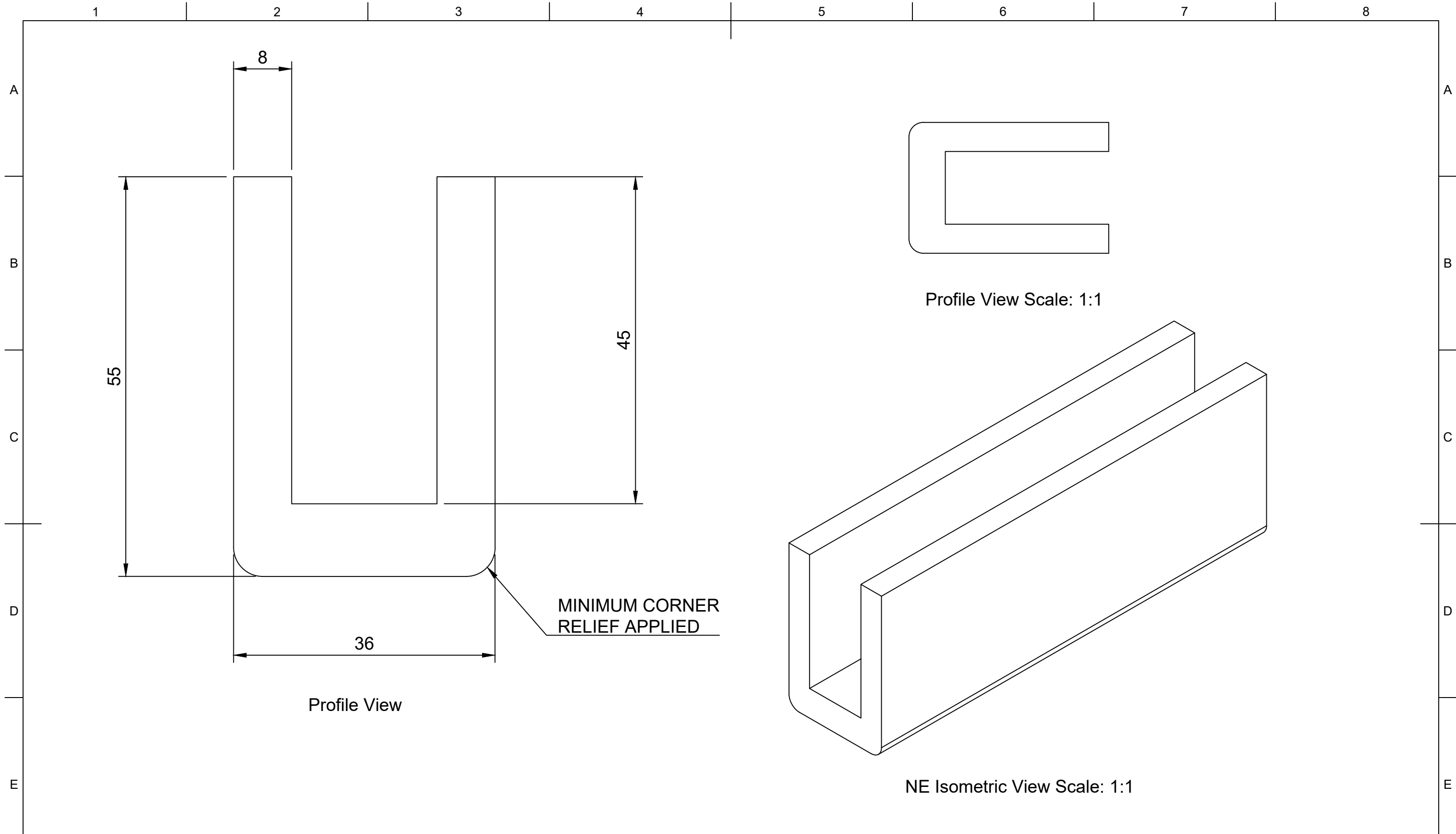
Profile View Scale: 1:1

NE Isometric View

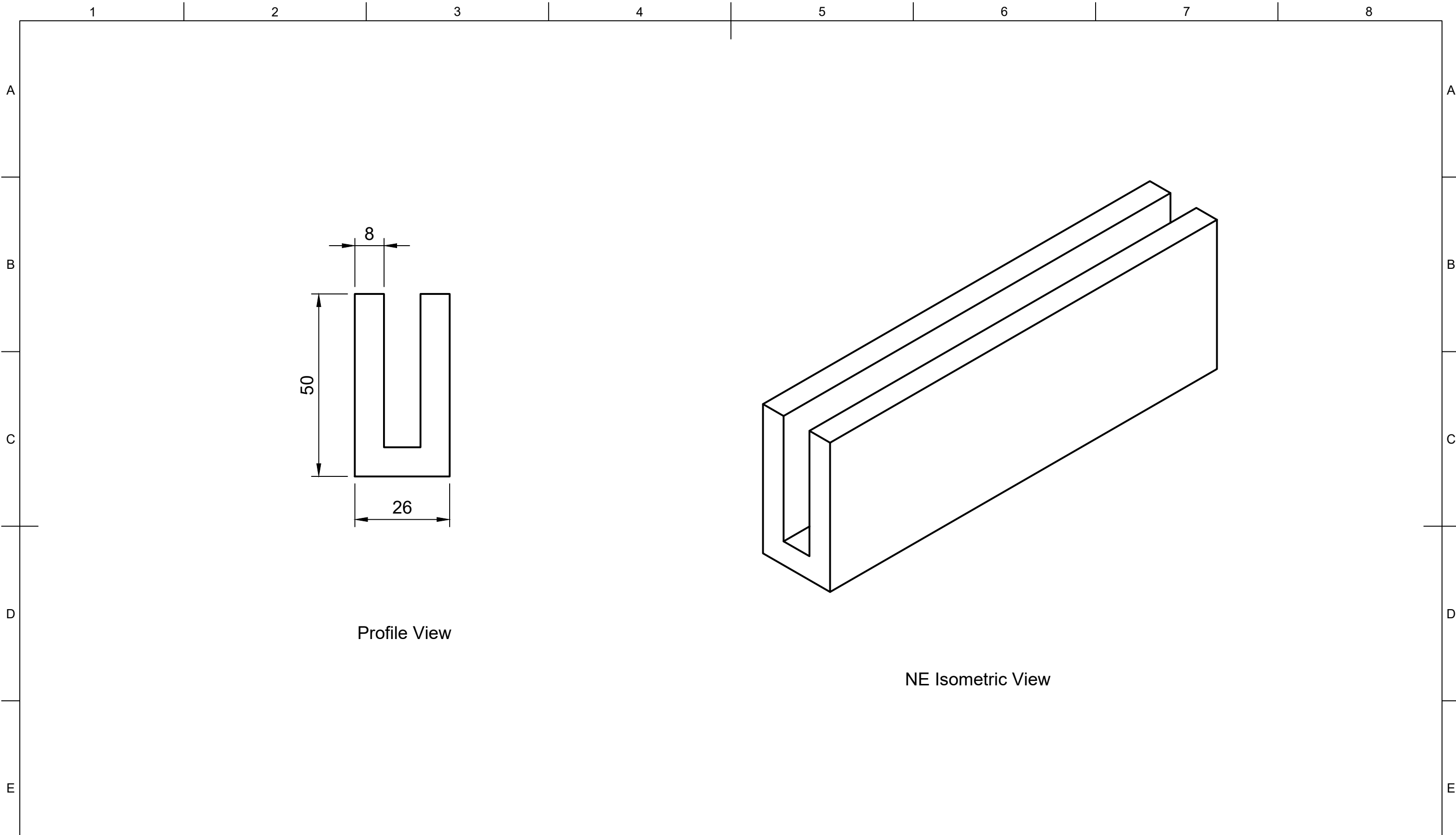


Part Number <b>201528</b>					Created By David Stirling		Cross Sectional Area (mm <sup>2</sup> ) 104		Nominal Dimension (mm)		Tolerance, ± (mm)
					Date Drawn 19/04/2020		Material EPDM		Greater Than	Less Than or Equal to	
Description <b>U Channel (Square Base, Square Inner)</b>					Approved By		Hardness (Shore A) 70		0.00	1.50	0.40
					Date of Approval		Colour Black		1.50	2.50	0.50
Revision A	Date of Issue 18/01/2022	Sheet Scale 5:1	Sheet Size A3	Sheet 1/1	Projection 3rd Agl.	Weight (g/m) 129		2.50	4.00	0.70	
								4.00	6.30	0.80	
								6.30	10.00	1.00	
								10.00	16.00	1.30	
								16.00	25.00	1.60	
								25.00	40.00	2.00	
								40.00	63.00	2.50	
								63.00	100.00	3.20	
								100.00		3.20%	





Part Number		201533			Created By		Cross Sectional Area (mm <sup>2</sup> )		Nominal Dimension (mm)		Tolerance, ± (mm)
					David Stirling		1073		Greater Than	Less Than or Equal to	
Description		U Channel (Square Base, Square Inner)			Date Drawn		Material		0.00	1.50	0.40
					20/04/2020		EPDM		1.50	2.50	0.50
Revision		Date of Issue			Approved By		Hardness (Shore A)		2.50	4.00	0.70
					Date of Approval		Colour		4.00	6.30	0.80
A	18/01/2022	Sheet Scale	Sheet Size	Sheet	Projection	Weight (kg/m)		6.30	10.00	1.00	
		2:1	A3	1/1	3rd Agl.	1.352		10.00	16.00	1.30	
								16.00	25.00	1.60	
								25.00	40.00	2.00	
								40.00	63.00	2.50	
								63.00	100.00	3.20	
								100.00		3.20%	

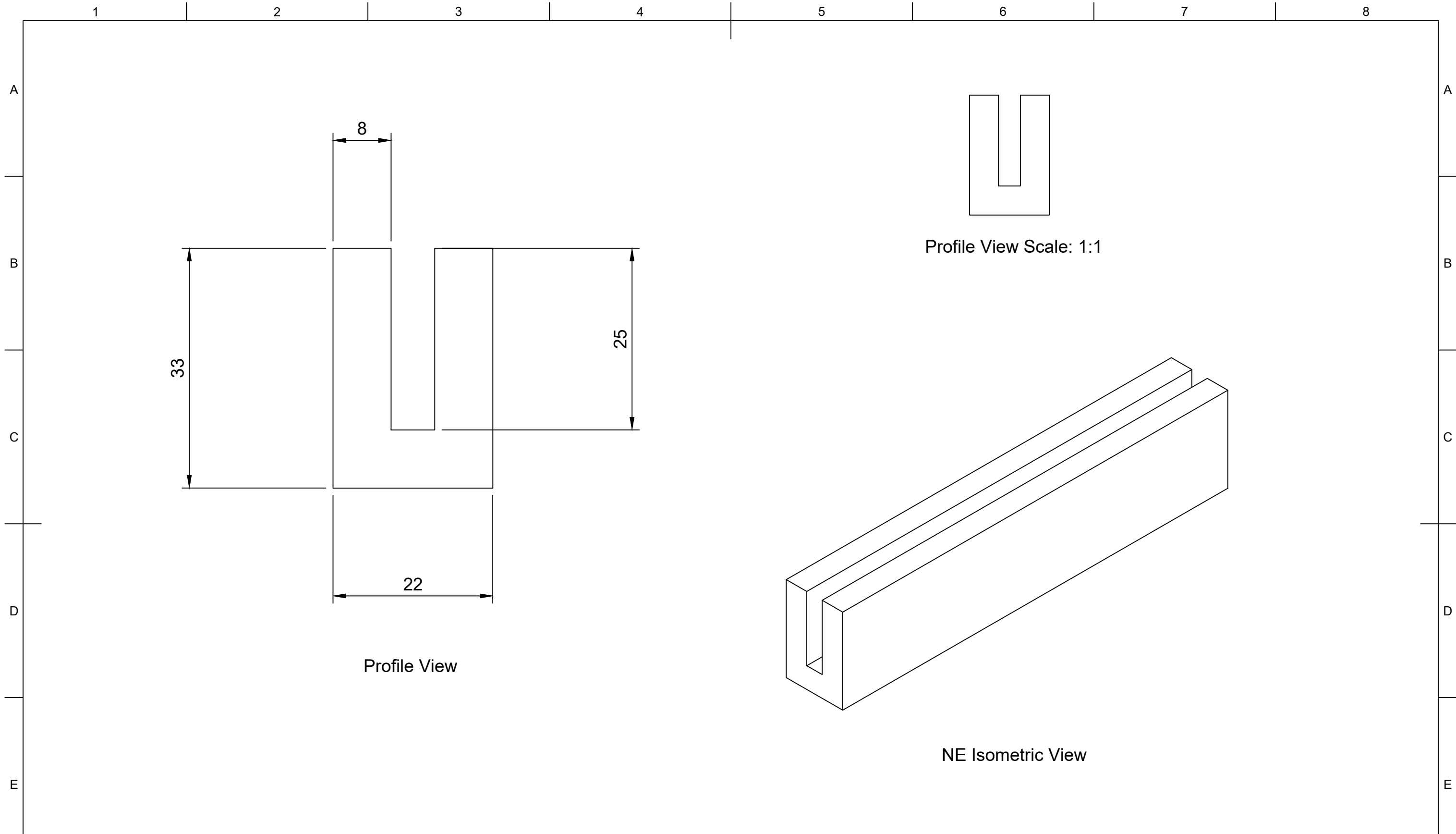



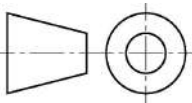
Profile View

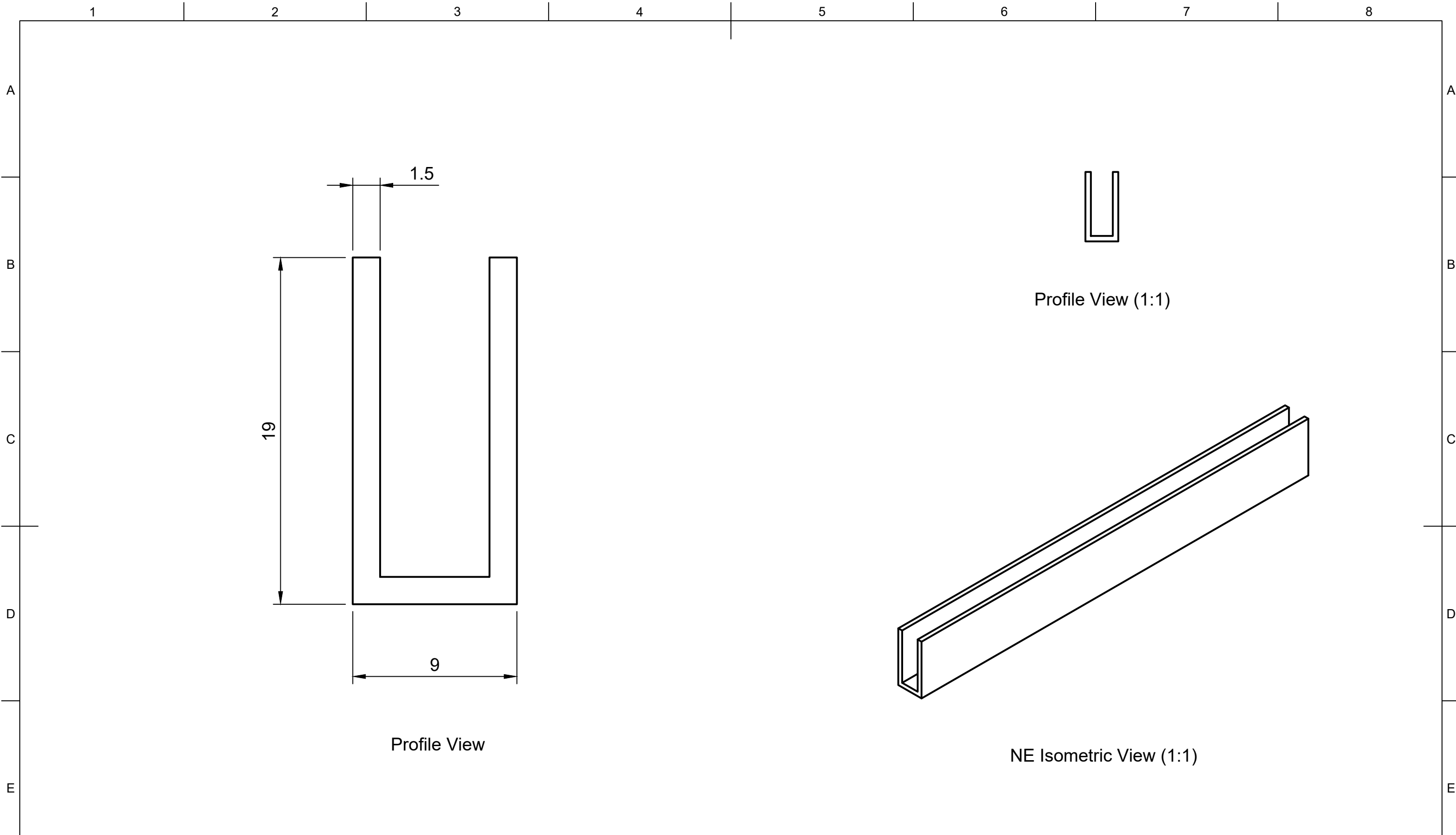
NE Isometric View



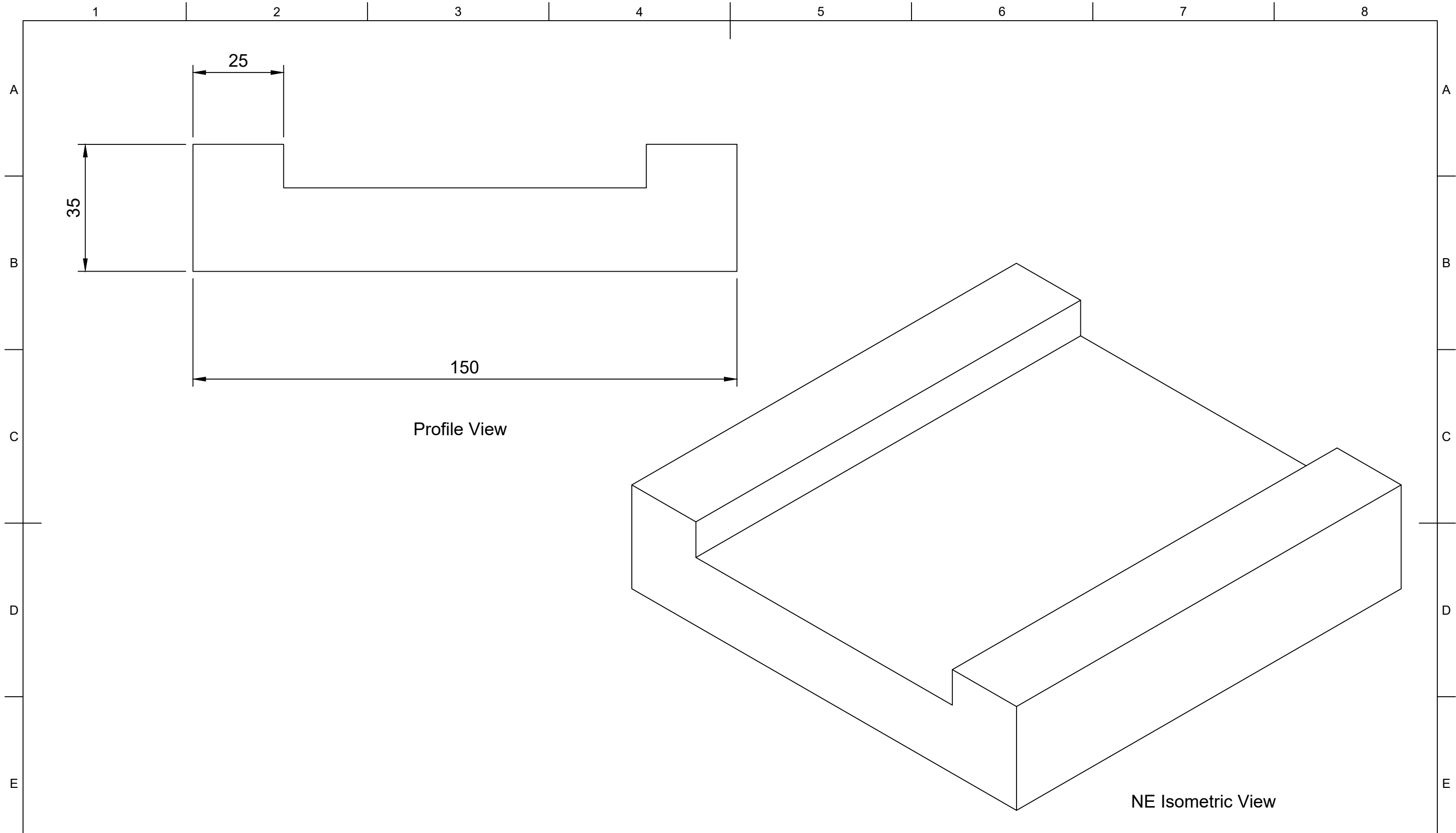
	<b>Part Number</b>				<b>Created By</b>		<b>Cross Sectional Area (mm<sup>2</sup>)</b>		<b>Nominal Dimension (mm)</b>		<b>Tolerance, ± (mm)</b>
	201697				David Stirling		880		<b>Greater Than</b>	<b>Less Than or Equal to</b>	
					<b>Date Drawn</b>		<b>Material</b>		0.00	1.50	0.40
					18/01/2022		Neoprene		1.50	2.50	0.50
	<b>Description</b>				<b>Approved By</b>		<b>Hardness (Shore A)</b>		2.50	4.00	0.70
	U Channel (Square Base, Square Inner)						70		4.00	6.30	0.80
					<b>Date of Approval</b>		<b>Colour</b>		6.30	10.00	1.00
							Black		10.00	16.00	1.30
									16.00	25.00	1.60
									25.00	40.00	2.00
<b>Revision</b>	<b>Date of Issue</b>	<b>Sheet Scale</b>	<b>Sheet Size</b>	<b>Sheet</b>	<b>Projection</b>	<b>Weight (kg/m)</b>		40.00	63.00	2.50	
A	18/01/2022	1:1	A3	1/1	3rd Agl.			63.00	100.00	3.20	
								100.00	---	3.20%	



	<b>Part Number</b>				<b>Created By</b>		<b>Cross Sectional Area (mm<sup>2</sup>)</b>		<b>Nominal Dimension (mm)</b>		<b>Tolerance, ± (mm)</b>
	201962				David Stirling		576		<b>Greater Than</b>	<b>Less Than or Equal to</b>	
	<b>Description</b>				<b>Date Drawn</b>		<b>Material</b>		0.00	1.50	0.40
					20/04/2020		EPDM		1.50	2.50	0.50
	U Channel (Square Base, Square Inner)				<b>Approved By</b>		<b>Hardness (Shore A)</b>		2.50	4.00	0.70
					<b>Date of Approval</b>		70		4.00	6.30	0.80
					<b>Projection</b>		<b>Colour</b>		6.30	10.00	1.00
					3rd Agl. 		Black		10.00	16.00	1.30
	<b>Revision</b>	<b>Date of Issue</b>	<b>Sheet Scale</b>	<b>Sheet Size</b>	<b>Sheet</b>	<b>Weight (g/m)</b>		16.00	25.00	1.60	
	A	18/01/2022	2:1	A3	1/1	720		25.00	40.00	2.00	
								40.00	63.00	2.50	
								63.00	100.00	3.20	
								100.00		3.20%	



<b>WALKERRUBBER</b> LTD	<b>Part Number</b>				<b>Created By</b>		<b>Cross Sectional Area (mm<sup>2</sup>)</b>		<b>Nominal Dimension (mm)</b>		<b>Tolerance, ± (mm)</b>
	202018				David Stirling		66		<b>Greater Than</b>	<b>Less Than or Equal to</b>	
	<b>Description</b>				<b>Date Drawn</b>		<b>Material</b>		0.00	1.50	0.40
					18/01/2022		Neoprene		1.50	2.50	0.50
	U Channel (Square Base, Square Inner)				<b>Approved By</b>		<b>Hardness (Shore A)</b>		2.50	4.00	0.70
					Date of Approval		70		4.00	6.30	0.80
							<b>Colour</b>		6.30	10.00	1.00
					Black		10.00	16.00	1.30		
	<b>Revision</b>	<b>Date of Issue</b>	<b>Sheet Scale</b>	<b>Sheet Size</b>	<b>Sheet</b>	<b>Projection</b>	<b>Weight (g/m)</b>		16.00	25.00	1.60
	A	18/01/2022	5:1	A3	1/1	3rd Agl.	173		25.00	40.00	2.00
								40.00	63.00	2.50	
								63.00	100.00	3.20	
								100.00		3.20%	

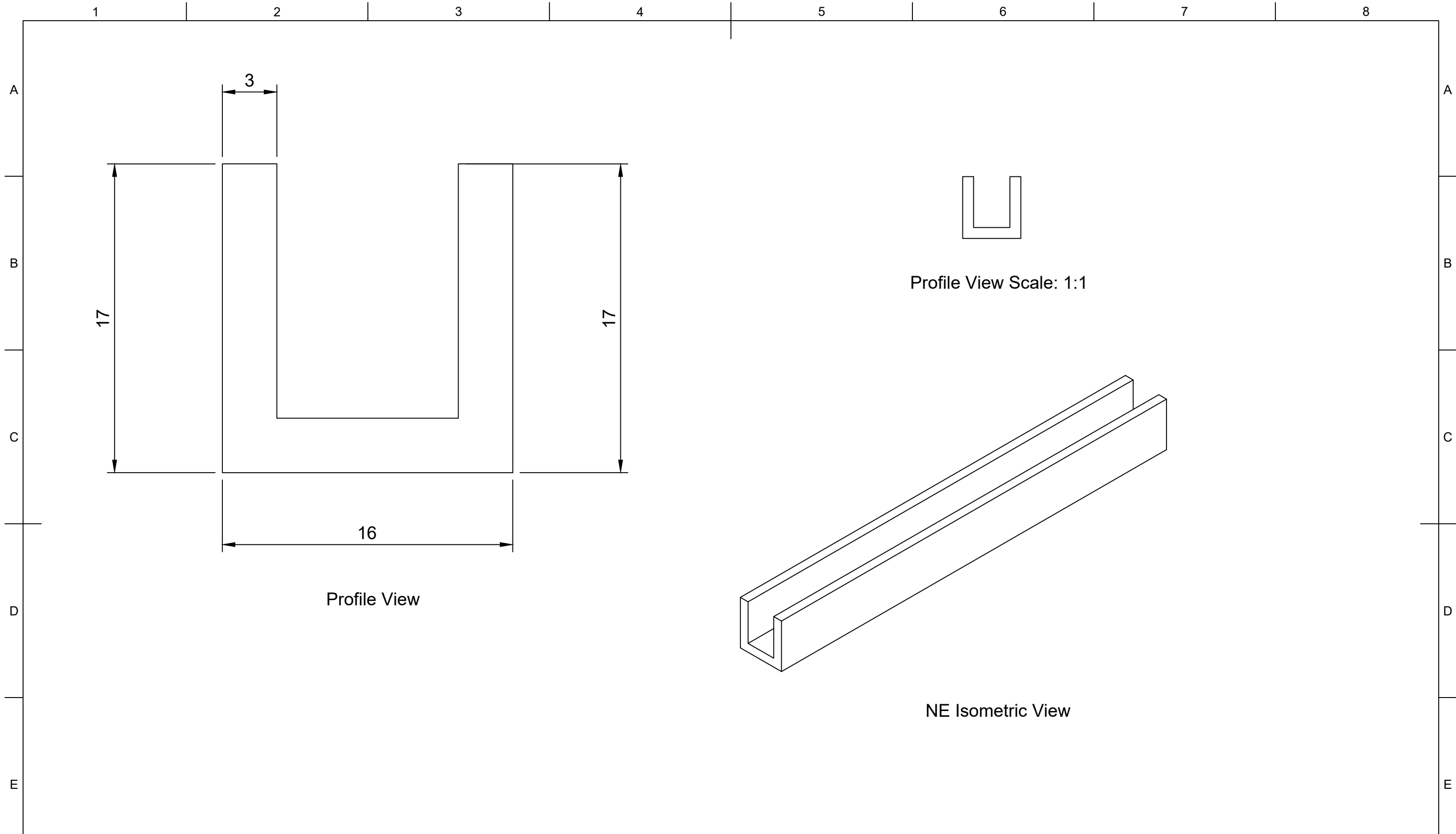



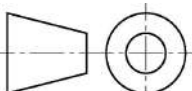
Profile View

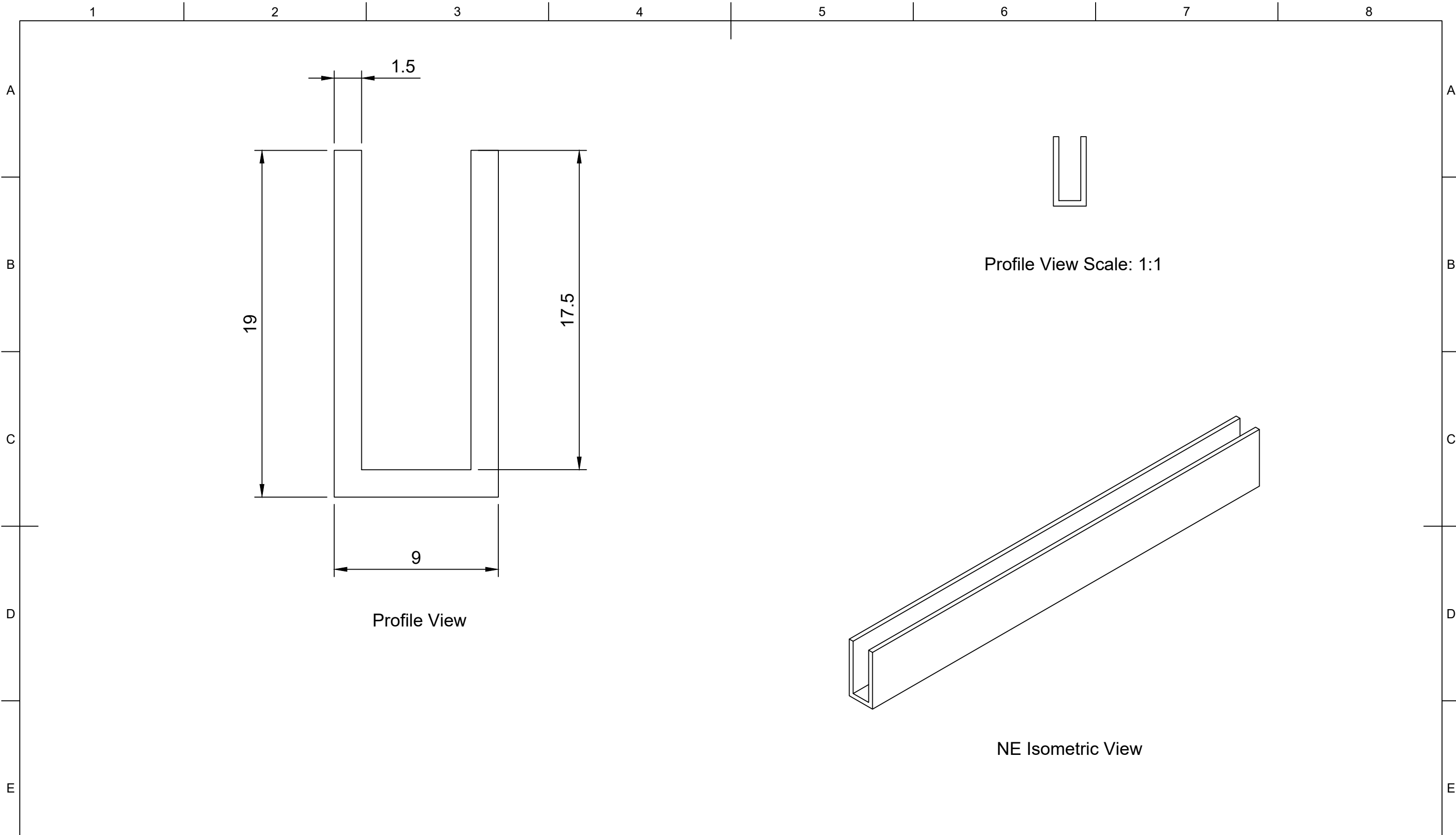
NE Isometric View


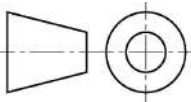


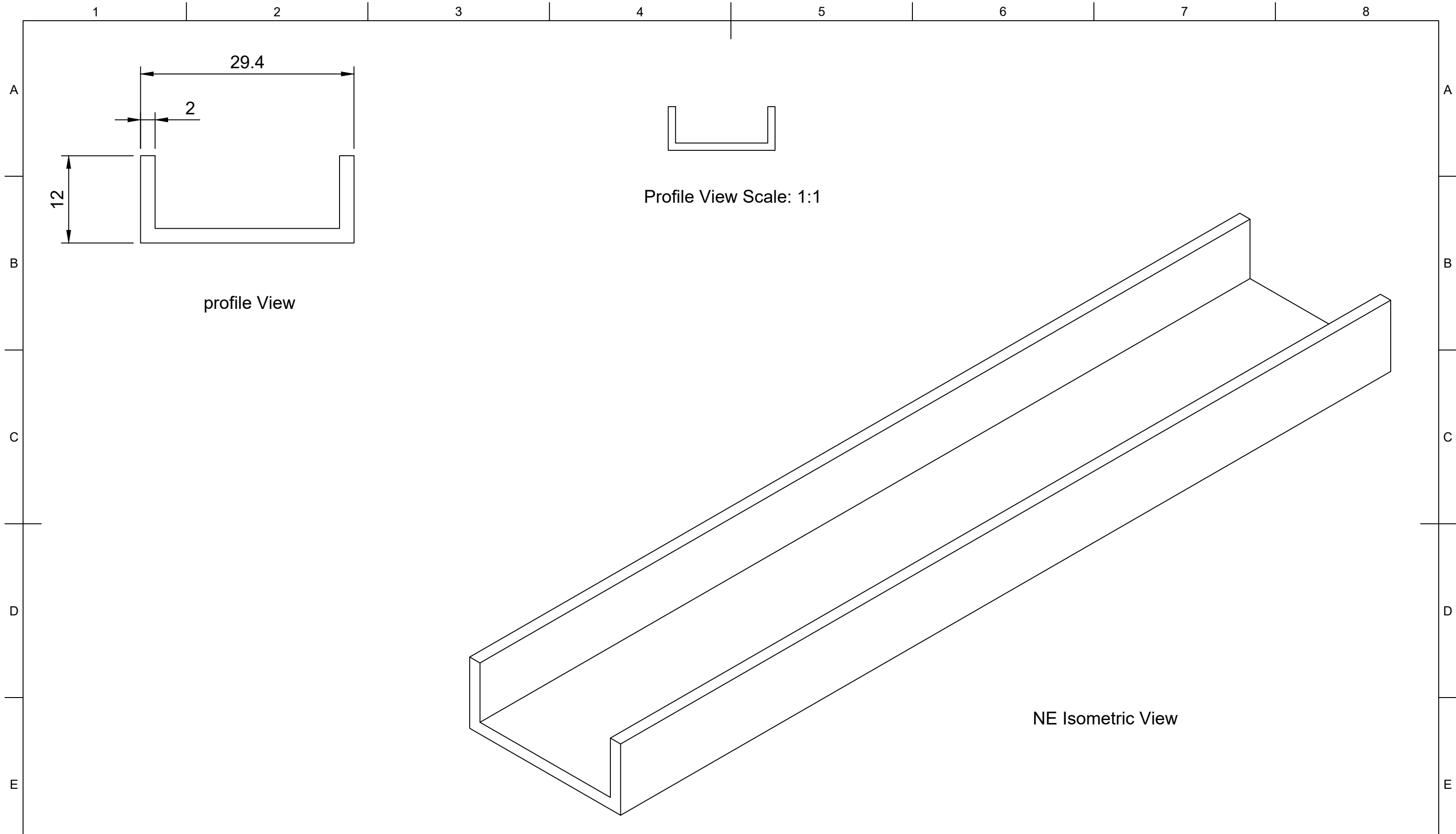
Part Number <b>202088</b>					Created By David Stirling		Cross Sectional Area (mm <sup>2</sup> ) 4050		Nominal Dimension (mm)		Tolerance, ± (mm)
					Date Drawn 14/04/2020		Material Neoprene		Greater Than	Less Than or Equal to	
Description <b>U Channel - Square Base, Square Centre</b>					Approved By		Hardness (Shore A) 70		0.00	1.50	0.40
					Date of Approval		Colour Black		1.50	2.50	0.50
Revision A	Date of Issue 13/01/2022	Sheet Scale 1:1	Sheet Size A3	Sheet 1/1	Projection 3rd Agl.	Weight (g/m) 5.436		2.50	4.00	0.70	
								4.00	6.30	0.80	
								6.30	10.00	1.00	
								10.00	16.00	1.30	
								16.00	25.00	1.60	
								25.00	40.00	2.00	
								40.00	63.00	2.50	
								63.00	100.00	3.20	
								100.00		3.20%	


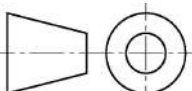


	<b>Part Number</b>				<b>Created By</b>		<b>Cross Sectional Area (mm<sup>2</sup>)</b>		<b>Nominal Dimension (mm)</b>		<b>Tolerance, ± (mm)</b>
	202229				David Stirling		132		<b>Greater Than</b>	<b>Less Than or Equal to</b>	
	<b>Description</b>				<b>Date Drawn</b>		<b>Material</b>		0.00		0.40
					U Channel (Square Base, Square Inner)		18/04/2020		EPDM		1.50
					<b>Approved By</b>		<b>Hardness (Shore A)</b>		2.50		0.70
					Date of Approval		70		4.00		0.80
					<b>Projection</b>		<b>Colour</b>		6.30		1.00
									3rd Agl. 		Black
					<b>Weight (g/m)</b>		16.00		25.00		1.60
							166		40.00		2.00
<b>Revision</b>				<b>Date of Issue</b>		<b>Sheet Scale</b>		<b>Sheet Size</b>		<b>Sheet</b>	
A				18/01/2022		5:1		A3		1/1	

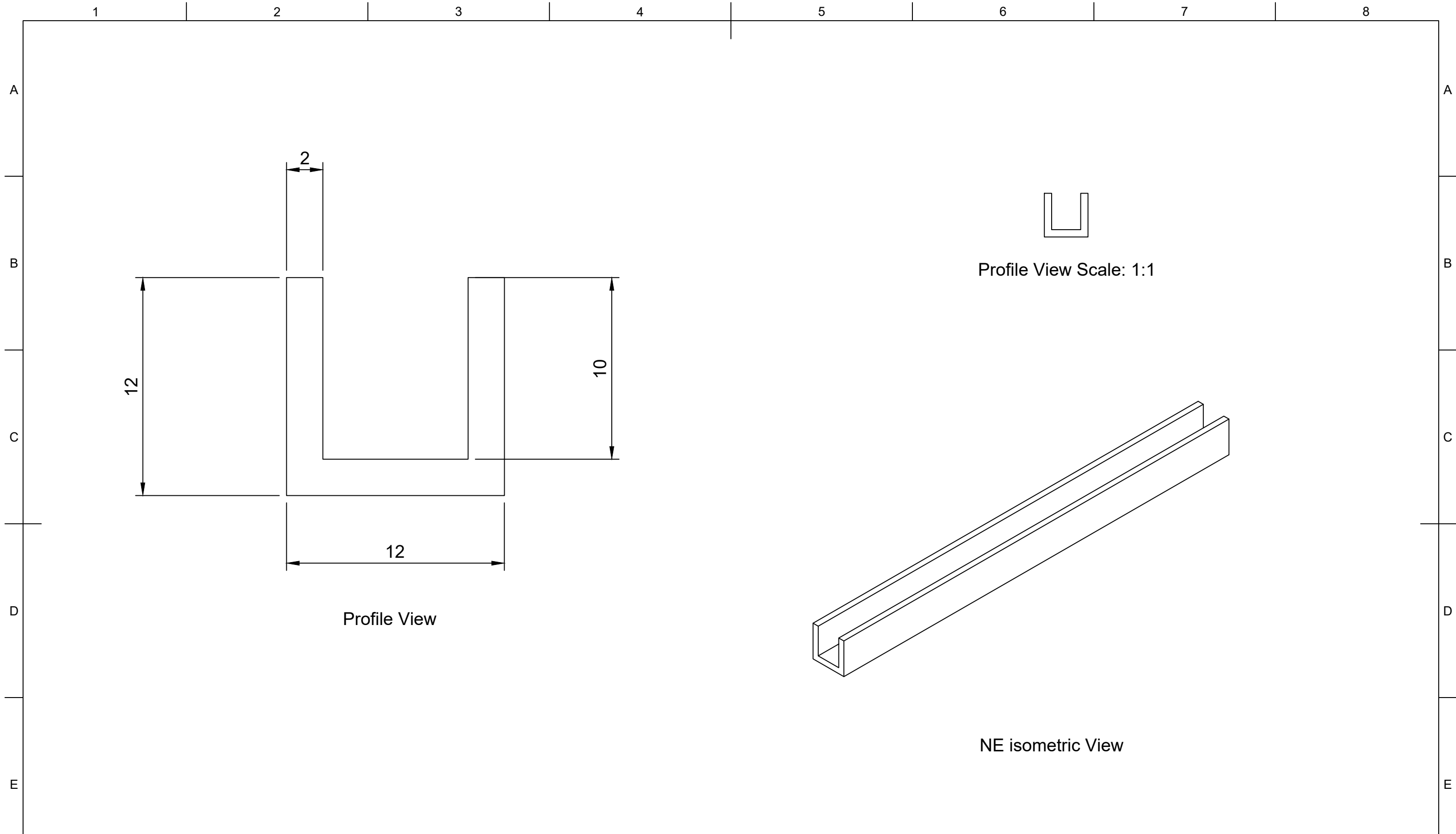



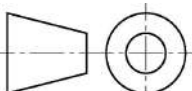
	<b>Part Number</b>				<b>Created By</b>		<b>Cross Sectional Area (mm<sup>2</sup>)</b>		<b>Nominal Dimension (mm)</b>		<b>Tolerance, ± (mm)</b>
	202268				David Stirling		66		<b>Greater Than</b>	<b>Less Than or Equal to</b>	
					<b>Date Drawn</b>		<b>Material</b>		0.00	1.50	0.40
					18/04/2020		EPDM		1.50	2.50	0.50
	<b>Description</b>				<b>Approved By</b>		<b>Hardness (Shore A)</b>		2.50	4.00	0.70
	U Channel (Square Base, Square Inner)						70		4.00	6.30	0.80
					<b>Date of Approval</b>		<b>Colour</b>		6.30	10.00	1.00
							Black		10.00	16.00	1.30
	<b>Revision</b>	<b>Date of Issue</b>	<b>Sheet Scale</b>	<b>Sheet Size</b>	<b>Sheet</b>	<b>Projection</b>	<b>Weight (g/m)</b>		16.00	25.00	1.60
	A	18/01/2022	5:1	A3	1/1	3rd Agl. 	82		25.00	40.00	2.00
									40.00	63.00	2.50
									63.00	100.00	3.20
									100.00		3.20%

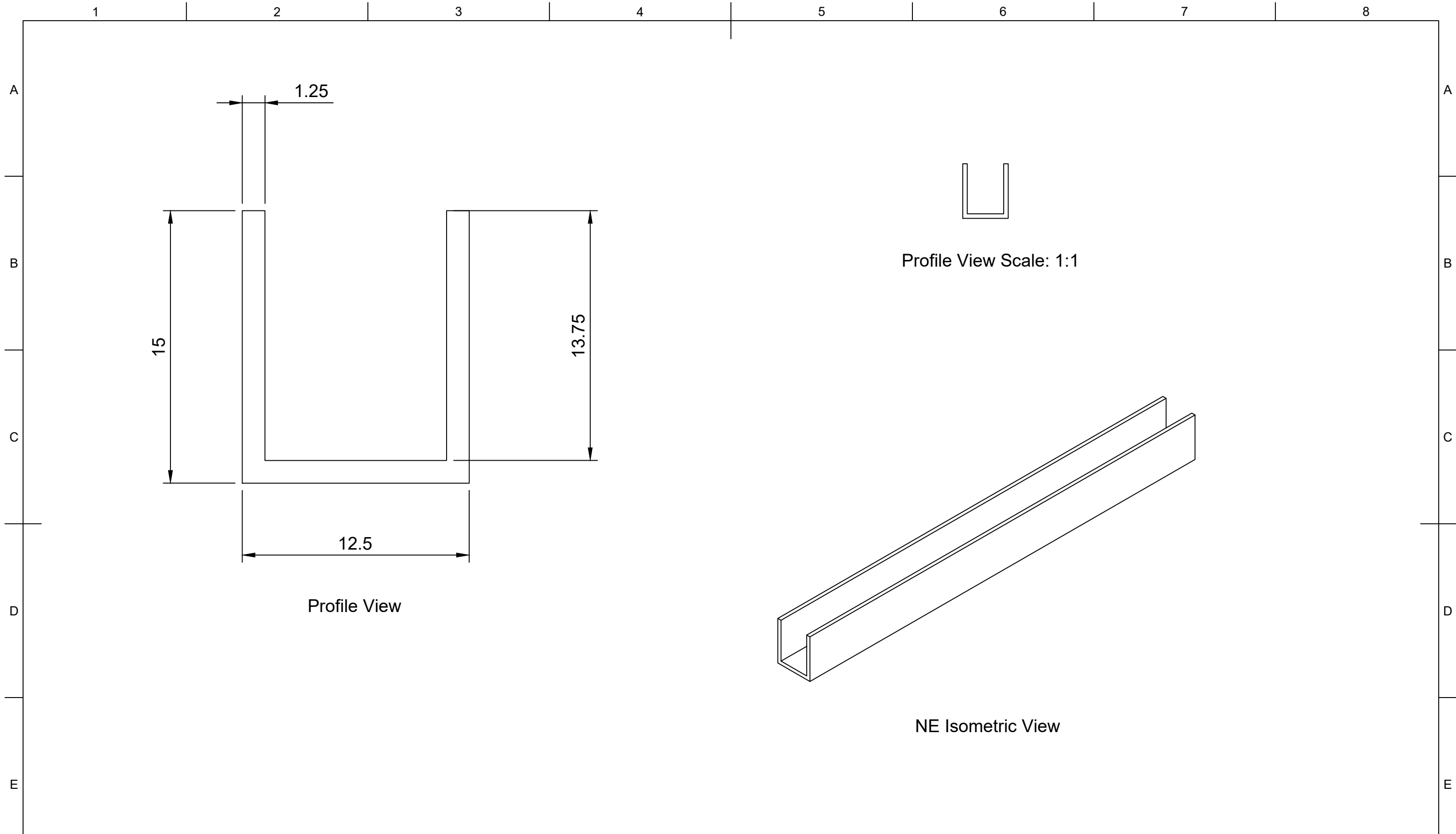



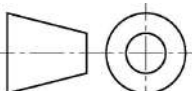
	<b>Part Number</b>				<b>Created By</b>		<b>Cross Sectional Area (mm<sup>2</sup>)</b>		<b>Nominal Dimension (mm)</b>		<b>Tolerance, ± (mm)</b>								
	202295				David Stirling		99		<b>Greater Than</b>	<b>Less Than or Equal to</b>	0.40								
					Date Drawn		Material		0.00	1.50									
	U Channel (Square Base, Square Inner)				20/04/2020		EPDM		1.50	2.50	0.50								
					<b>Approved By</b>		<b>Hardness (Shore A)</b>		2.50	4.00	0.70								
					Date of Approval		70		4.00	6.30	0.80								
					Black		6.30	10.00	1.00										
	<b>Revision</b> A				<b>Date of Issue</b> 18/01/2022		<b>Sheet Scale</b> 2:1		<b>Sheet Size</b> A3		<b>Sheet</b> 1/1		<b>Projection</b> 3rd Agl. 		<b>Weight (g/m)</b> 130		10.00	16.00	1.30
													16.00	25.00	1.60				
													25.00	40.00	2.00				
40.00													63.00	2.50					
								63.00	100.00	3.20									
								100.00		3.20%									

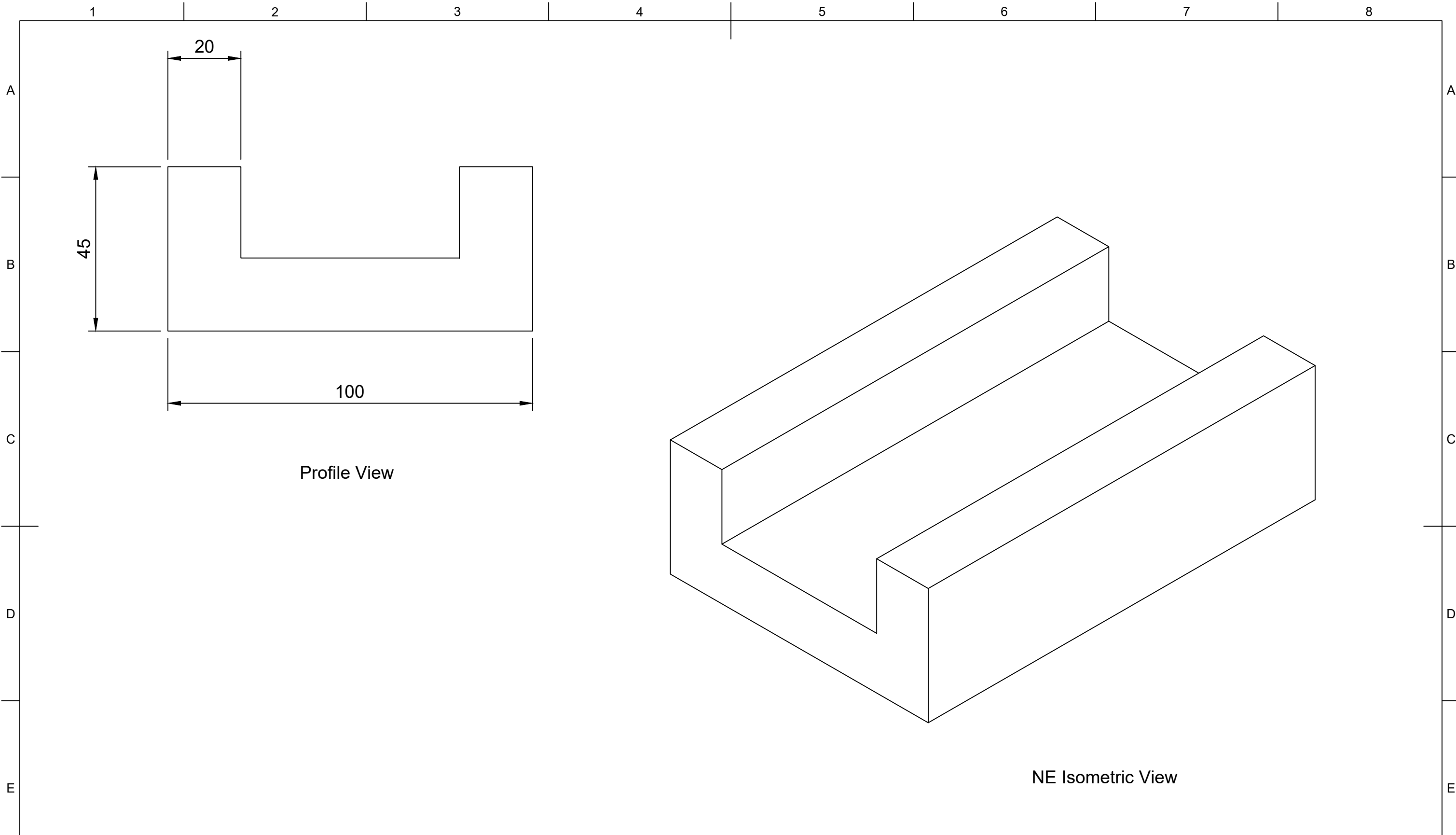




	<b>Part Number</b>				<b>Created By</b>		<b>Cross Sectional Area (mm<sup>2</sup>)</b>		<b>Nominal Dimension (mm)</b>		<b>Tolerance, ± (mm)</b>
	202784				David Stirling		64		<b>Greater Than</b>	<b>Less Than or Equal to</b>	
	<b>Description</b>				<b>Date Drawn</b>		<b>Material</b>		0.00		0.40
					U Channel (Square Base, Square Inner)		23/04/2020		EPDM		1.50
					<b>Approved By</b>		<b>Hardness (Shore A)</b>		2.50		0.70
					3rd Agl. 		70		4.00		0.80
					<b>Date of Approval</b>		<b>Colour</b>		6.30		1.00
					18/01/2022		Black		10.00		1.30
	<b>Revision</b>	<b>Date of Issue</b>	<b>Sheet Scale</b>	<b>Sheet Size</b>	<b>Sheet</b>	<b>Projection</b>	<b>Weight (g/m)</b>		16.00		1.60
	A	18/01/2022	5:1	A3	1/1		81		25.00		2.00
								40.00		2.50	
								63.00		3.20	
								100.00		3.20%	


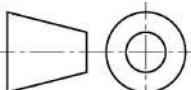


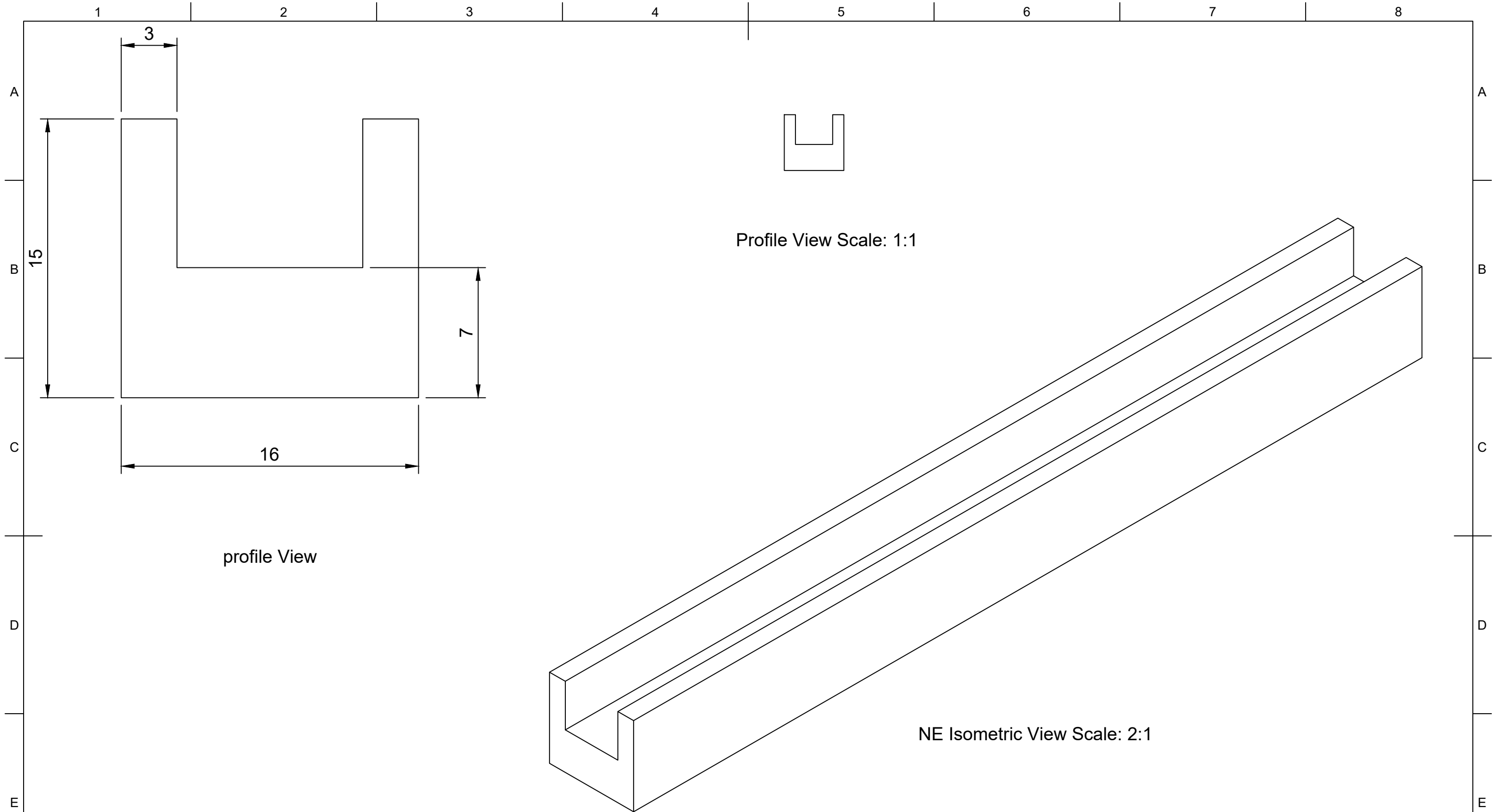
	<b>Part Number</b>				<b>Created By</b>		<b>Cross Sectional Area (mm<sup>2</sup>)</b>		<b>Nominal Dimension (mm)</b>		<b>Tolerance, ± (mm)</b>
	202788				David Stirling		50		<b>Greater Than</b>	<b>Less Than or Equal to</b>	
	<b>Description</b>				<b>Date Drawn</b>		<b>Material</b>		0.00	1.50	0.40
					24/04/2020		EPDM		1.50	2.50	0.50
	U Channel (Square Base, Square Inner)				<b>Approved By</b>		<b>Hardness (Shore A)</b>		2.50	4.00	0.70
					<b>Date of Approval</b>		70		4.00	6.30	0.80
					<b>Projection</b>		<b>Colour</b>		6.30	10.00	1.00
									Black		10.00
					<b>3rd Agl.</b>		<b>Weight (g/m)</b>		16.00	25.00	1.60
									63		25.00
<b>Revision</b>	<b>Date of Issue</b>	<b>Sheet Scale</b>	<b>Sheet Size</b>	<b>Sheet</b>					40.00	63.00	2.50
A	18/01/2022	5:1	A3	1/1					63.00	100.00	3.20
								100.00		3.20%	


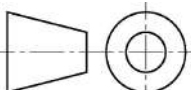


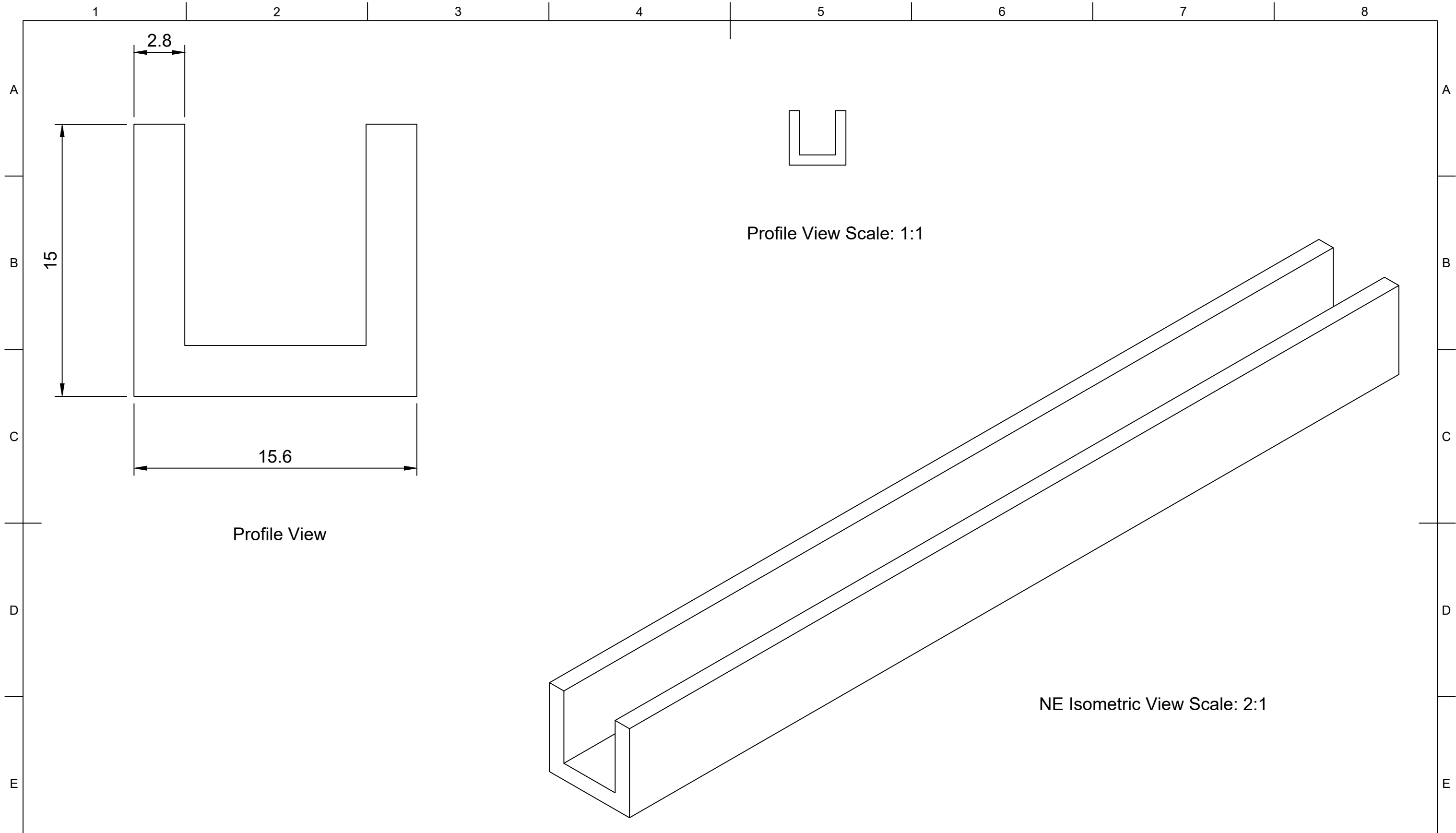
Profile View

NE Isometric View

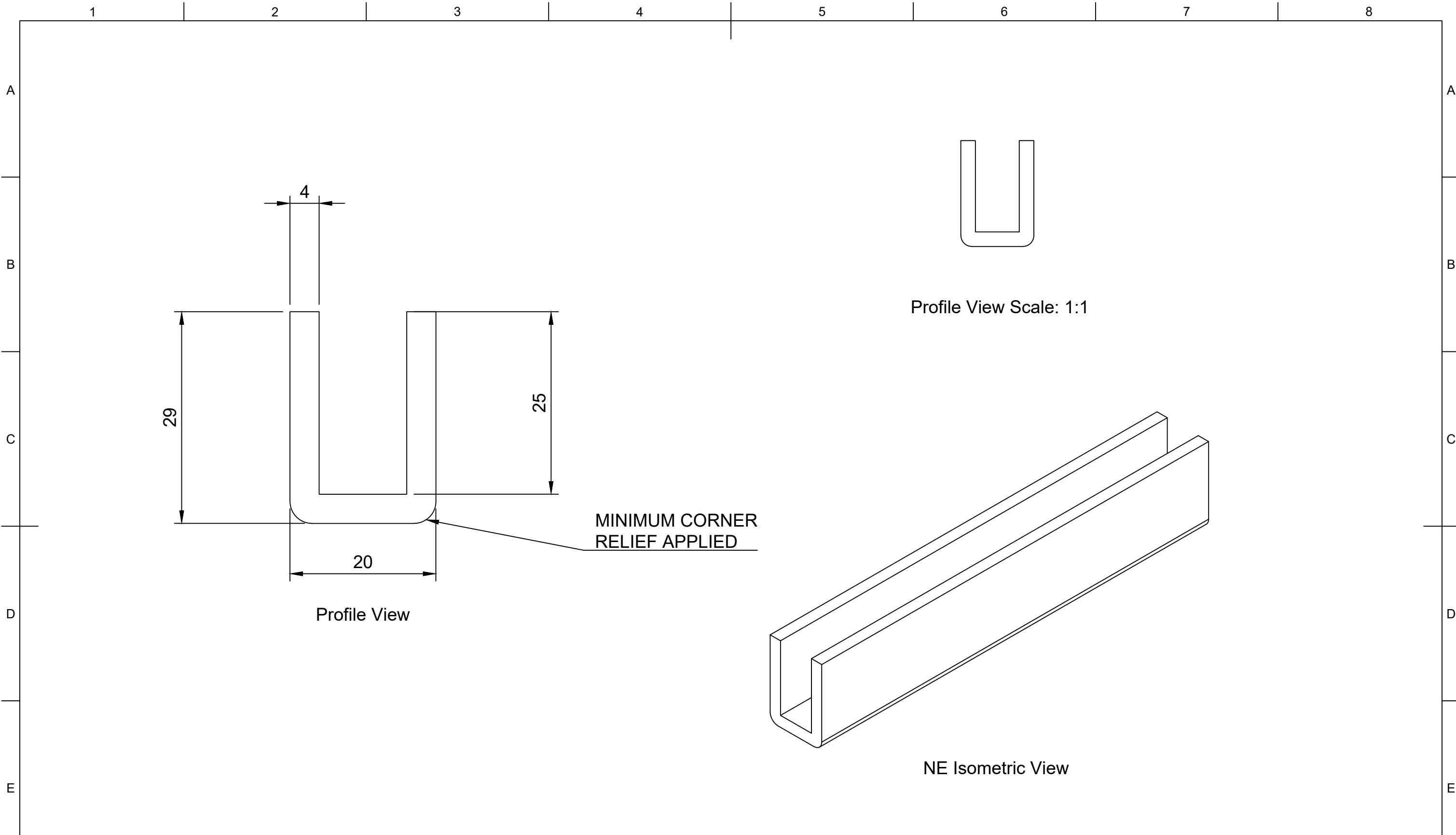
	<b>Part Number</b>				<b>Created By</b>		<b>Cross Sectional Area (mm<sup>2</sup>)</b>		<b>Nominal Dimension (mm)</b>		<b>Tolerance, ± (mm)</b>
	202839				David Stirling		3000		<b>Greater Than</b>	<b>Less Than or Equal to</b>	
	<b>Description</b>				<b>Date Drawn</b>		<b>Material</b>		0.00	1.50	0.40
					13/04/2020		EPDM		1.50	2.50	0.50
	U Channel - Square Base, Square Centre				<b>Approved By</b>		<b>Hardness (Shore A)</b>		2.50	4.00	0.70
					<b>Date of Approval</b>		70		4.00	6.30	0.80
							Black		6.30	10.00	1.00
	<b>Revision</b>	<b>Date of Issue</b>	<b>Sheet Scale</b>	<b>Sheet Size</b>	<b>Sheet</b>	<b>Projection</b>	<b>Weight (kg/m)</b>		10.00	16.00	1.30
	A	13/01/2022	1:1	A3	1/1	3rd Agl. 	3.780		16.00	25.00	1.60
									25.00	40.00	2.00
								40.00	63.00	2.50	
								63.00	100.00	3.20	
								100.00		3.20%	



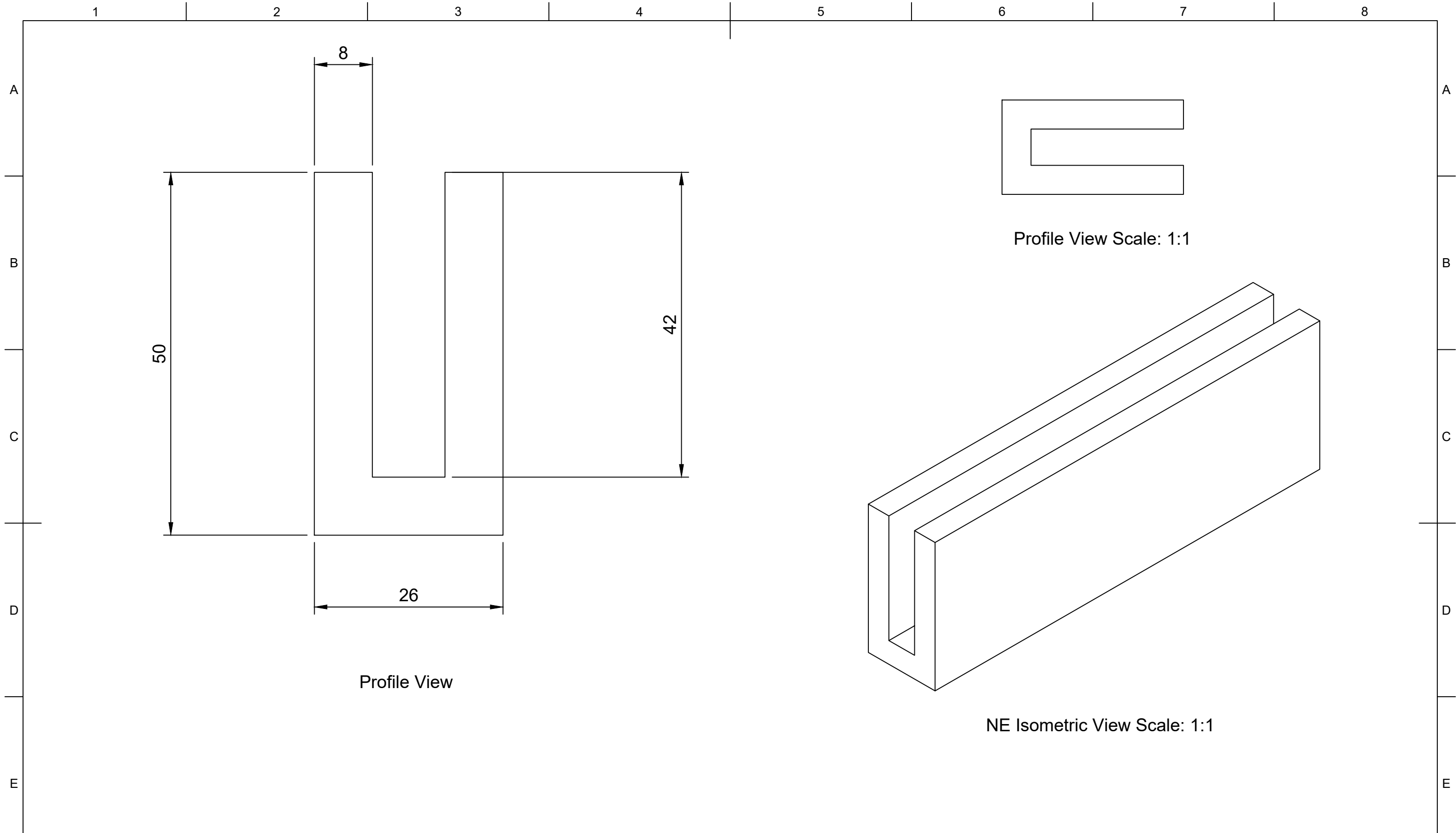
	Part Number				Created By		Cross Sectional Area (mm <sup>2</sup> )		Nominal Dimension (mm)		Tolerance, ± (mm)
	202877				David Stirling		160		Greater Than	Less Than or Equal to	
	Description				Date Drawn		Material		0.00		0.40
					19/04/2020		EPDM		1.50		0.50
	U Channel (Square Base, Square Inner)				Approved By		Hardness (Shore A)		2.50		0.70
					Date of Approval		70		4.00		0.80
	Revision				Projection		Colour		6.30		1.00
					3rd Agl. 		Black		10.00		1.30
	A		Date of Issue		Sheet Scale		Sheet Size		16.00		1.60
	18/01/2022		5:1		A3		Sheet		25.00		2.00
				1/1		Weight (g/m)		40.00		2.50	
						200		63.00		3.20	
								100.00		3.20%	


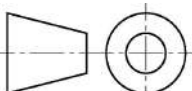


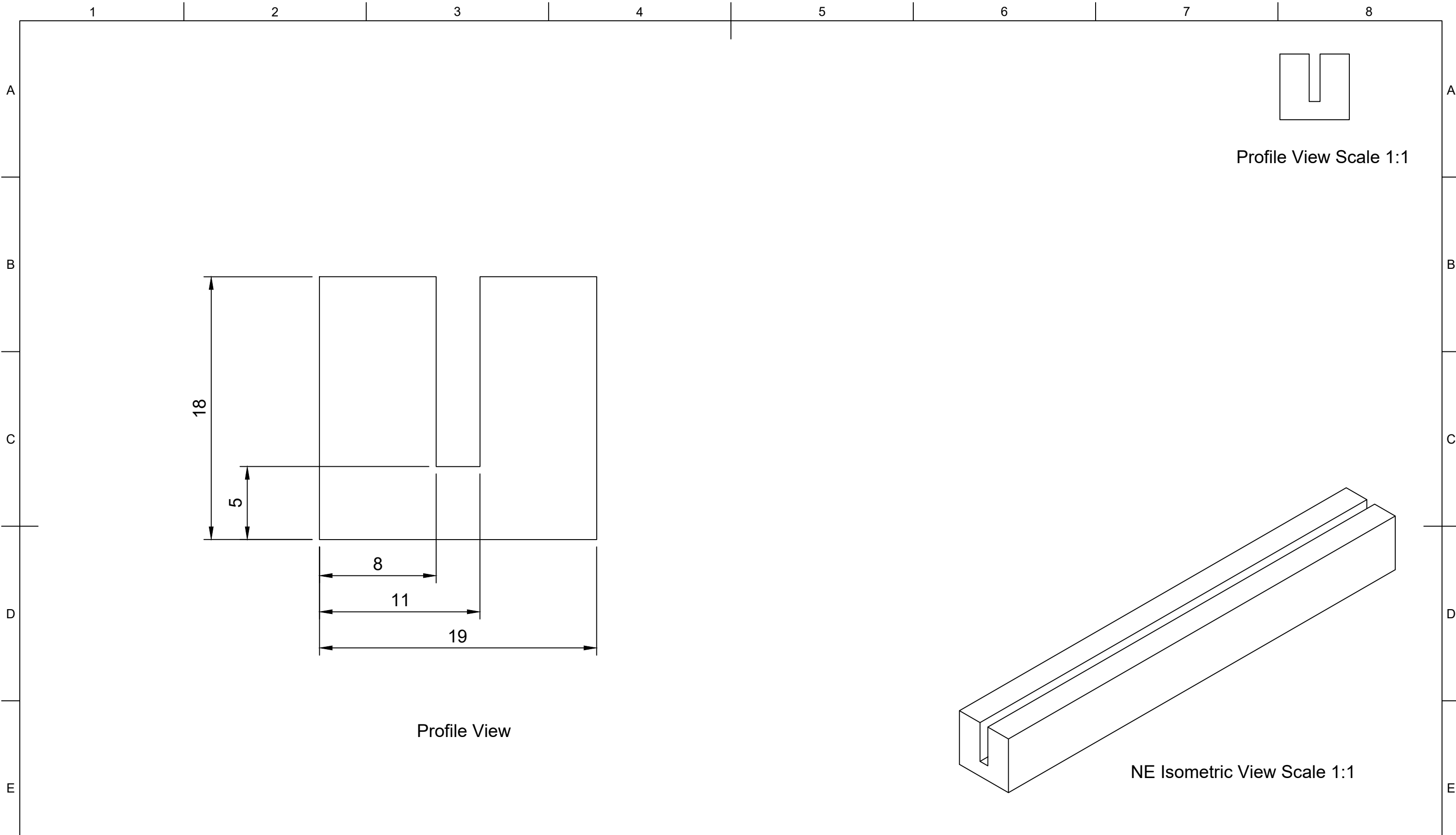
Part Number <b>202901</b>					Created By David Stirling		Cross Sectional Area (mm <sup>2</sup> ) 112		Nominal Dimension (mm)		Tolerance, ± (mm)
					Date Drawn 18/04/2020		Material EPDM		Greater Than	Less Than or Equal to	
Description <b>U Channel (Square Base, Square Inner)</b>					Approved By		Hardness (Shore A) 70		0.00	1.50	0.40
					Date of Approval		Colour Black		1.50	2.50	0.50
Revision A	Date of Issue 18/01/2022	Sheet Scale 5:1	Sheet Size A3	Sheet 1/1	Projection 3rd Agl.	Weight (g/m) 141		2.50	4.00	0.70	
								4.00	6.30	0.80	
								6.30	10.00	1.00	
								10.00	16.00	1.30	
								16.00	25.00	1.60	
								25.00	40.00	2.00	
								40.00	63.00	2.50	
								63.00	100.00	3.20	
								100.00	—	3.20%	



Part Number <b>202908</b>					Created By David Stirling		Cross Sectional Area (mm <sup>2</sup> ) 276		Nominal Dimension (mm)		Tolerance, ± (mm)
					Date Drawn 27/04/2020		Material EPDM		Greater Than	Less Than or Equal to	
Description <b>U Channel (Square Base, Square Inner)</b>					Approved By		Hardness (Shore A) 70		0.00	1.50	0.40
					Date of Approval		Colour Black		1.50	2.50	0.50
Revision A	Date of Issue 19/01/2022	Sheet Scale 2:1	Sheet Size A3	Sheet 1/1	Projection 3rd Agl.	Weight (g/m) 348		2.50	4.00	0.70	
						4.00	6.30	0.80			
								6.30	10.00	1.00	
								10.00	16.00	1.30	
								16.00	25.00	1.60	
								25.00	40.00	2.00	
								40.00	63.00	2.50	
								63.00	100.00	3.20	
								100.00		3.20%	

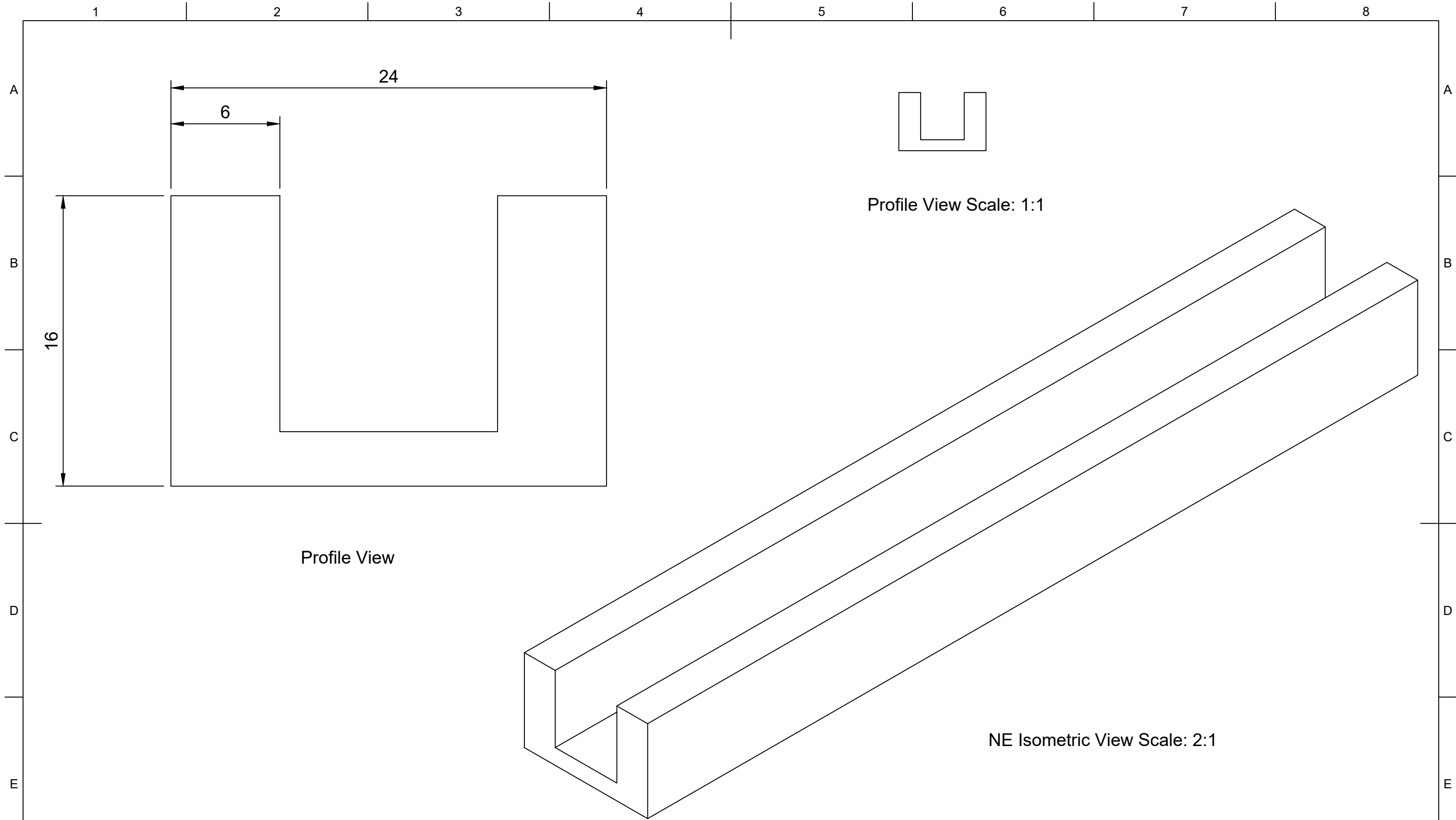


	<b>Part Number</b>				<b>Created By</b>		<b>Cross Sectional Area (mm<sup>2</sup>)</b>		<b>Nominal Dimension (mm)</b>		<b>Tolerance, ± (mm)</b>
	203354				David Stirling		880		<b>Greater Than</b>	<b>Less Than or Equal to</b>	
	<b>Description</b>				<b>Date Drawn</b>		<b>Material</b>		0.00	1.50	0.40
					20/04/2020		EPDM		1.50	2.50	0.50
	U Channel (Square Base, Square Inner)				<b>Approved By</b>		<b>Hardness (Shore A)</b>		2.50	4.00	0.70
					<b>Date of Approval</b>		70		4.00	6.30	0.80
							Black		6.30	10.00	1.00
									10.00	16.00	1.30
	<b>Revision</b>	<b>Date of Issue</b>	<b>Sheet Scale</b>	<b>Sheet Size</b>	<b>Sheet</b>	<b>Projection</b>	<b>Weight (kg/m)</b>		16.00	25.00	1.60
	A	18/01/2022	2:1	A3	1/1	3rd Agl. 	1.092		25.00	40.00	2.00
							40.00	63.00	2.50		
							63.00	100.00	3.20		
							100.00		3.20%		



	<b>Part Number</b>				<b>Created By</b>		<b>Cross Sectional Area (mm<sup>2</sup>)</b>		<b>Nominal Dimension (mm)</b>		<b>Tolerance, ± (mm)</b>										
	203466				David Stirling		303		<b>Greater Than</b>	<b>Less Than or Equal to</b>											
	<b>Description</b>				<b>Date Drawn</b>		<b>Material</b>		0.00	1.50	0.40										
					29/10/2020		EPDM		1.50	2.50	0.50										
	U Channel (Square Base, Square Inner)				<b>Approved By</b>		<b>Hardness (Shore A)</b>		2.50	4.00	0.70										
					<b>Date of Approval</b>		70		4.00	6.30	0.80										
	<table border="1" style="width: 100%; border-collapse: collapse;"> <tr> <td><b>Revision</b></td> <td><b>Date of Issue</b></td> <td><b>Sheet Scale</b></td> <td><b>Sheet Size</b></td> <td><b>Sheet</b></td> </tr> <tr> <td style="text-align: center;">A</td> <td style="text-align: center;">19/01/2022</td> <td style="text-align: center;">4:1</td> <td style="text-align: center;">A3</td> <td style="text-align: center;">1/1</td> </tr> </table>				<b>Revision</b>	<b>Date of Issue</b>	<b>Sheet Scale</b>	<b>Sheet Size</b>	<b>Sheet</b>	A	19/01/2022	4:1	A3	1/1	<b>Projection</b> 3rd Agl.		<b>Colour</b>		6.30	10.00	1.00
					<b>Revision</b>	<b>Date of Issue</b>	<b>Sheet Scale</b>	<b>Sheet Size</b>	<b>Sheet</b>												
	A	19/01/2022	4:1	A3	1/1																
	Black		10.00	16.00	1.30																
						<b>Weight (g/m)</b>		16.00	25.00	1.60											
								25.00	40.00	2.00											
								40.00	63.00	2.50											
								63.00	100.00	3.20											
								100.00		3.20%											


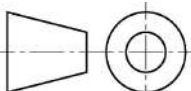


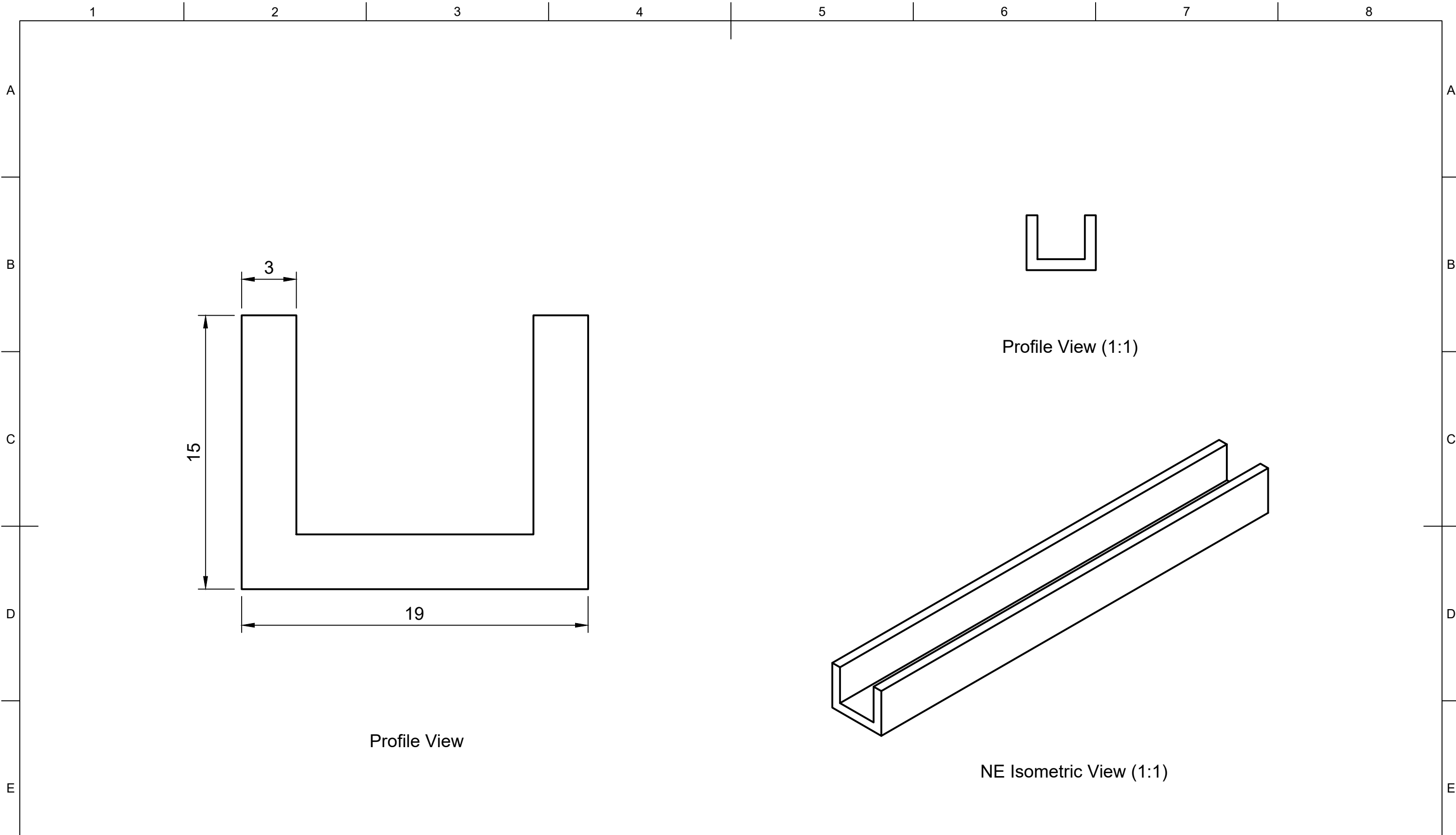


Profile View Scale: 1:1

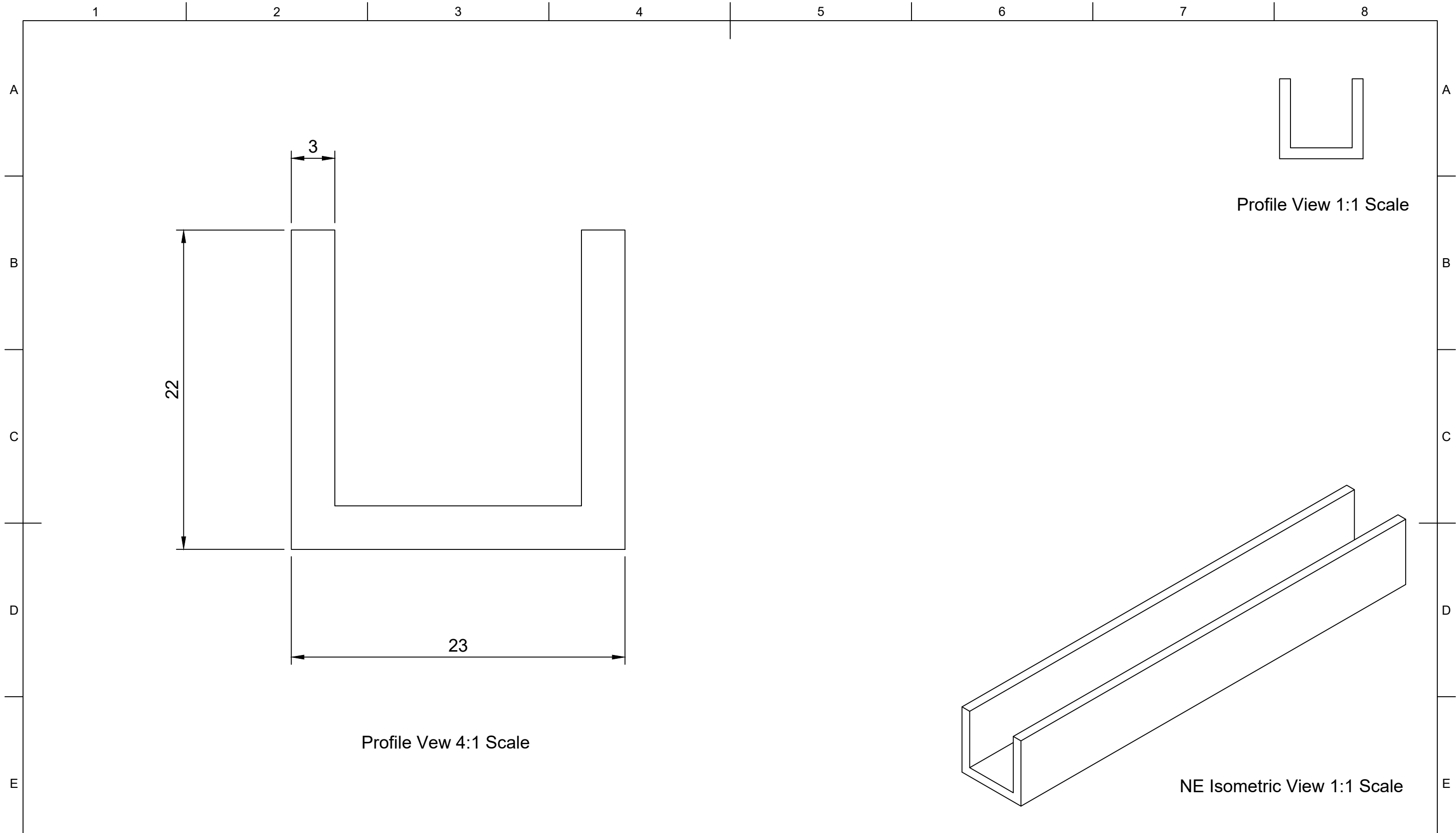
Profile View

NE Isometric View Scale: 2:1

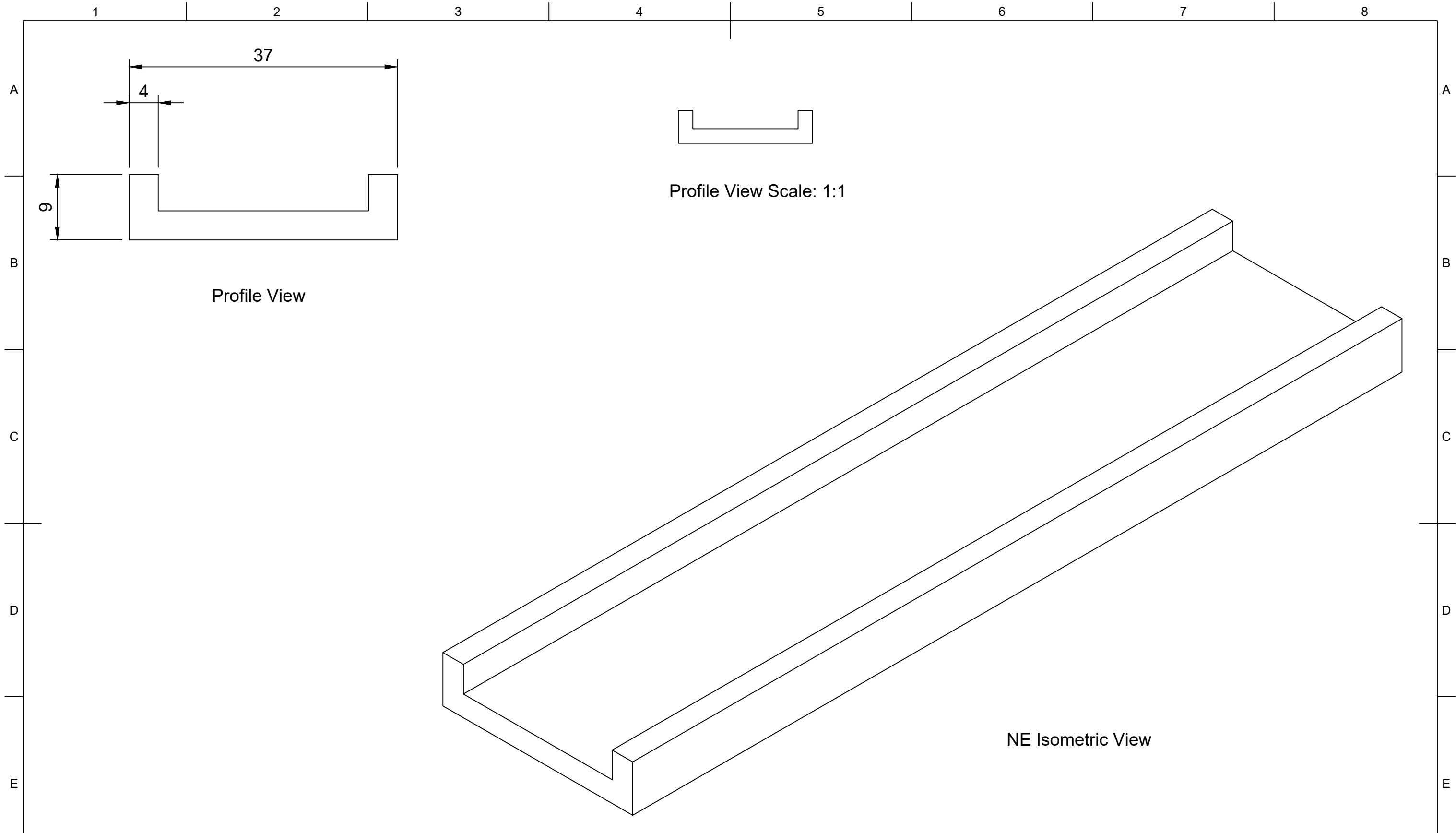
	<b>Part Number</b>				<b>Created By</b>		<b>Cross Sectional Area (mm<sup>2</sup>)</b>		<b>Nominal Dimension (mm)</b>		<b>Tolerance, ± (mm)</b>
	203472				David Stirling		228		<b>Greater Than</b>	<b>Less Than or Equal to</b>	
	<b>Description</b>				<b>Date Drawn</b>		<b>Material</b>		0.00	1.50	0.40
					20/04/2020		EPDM		1.50	2.50	0.50
	U Channel (Square Base, Square Inner)				<b>Approved By</b>		<b>Hardness (Shore A)</b>		2.50	4.00	0.70
					<b>Date of Approval</b>		70		4.00	6.30	0.80
							Black		6.30	10.00	1.00
									10.00	16.00	1.30
	<b>Revision</b>	<b>Date of Issue</b>	<b>Sheet Scale</b>	<b>Sheet Size</b>	<b>Sheet</b>	<b>Projection</b>	<b>Weight (g/m)</b>		16.00	25.00	1.60
	A	18/01/2022	5:1	A3	1/1	3rd Agl. 	283		25.00	40.00	2.00
								40.00	63.00	2.50	
								63.00	100.00	3.20	
								100.00		3.20%	


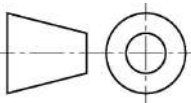


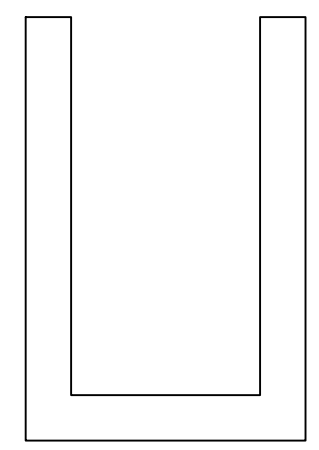
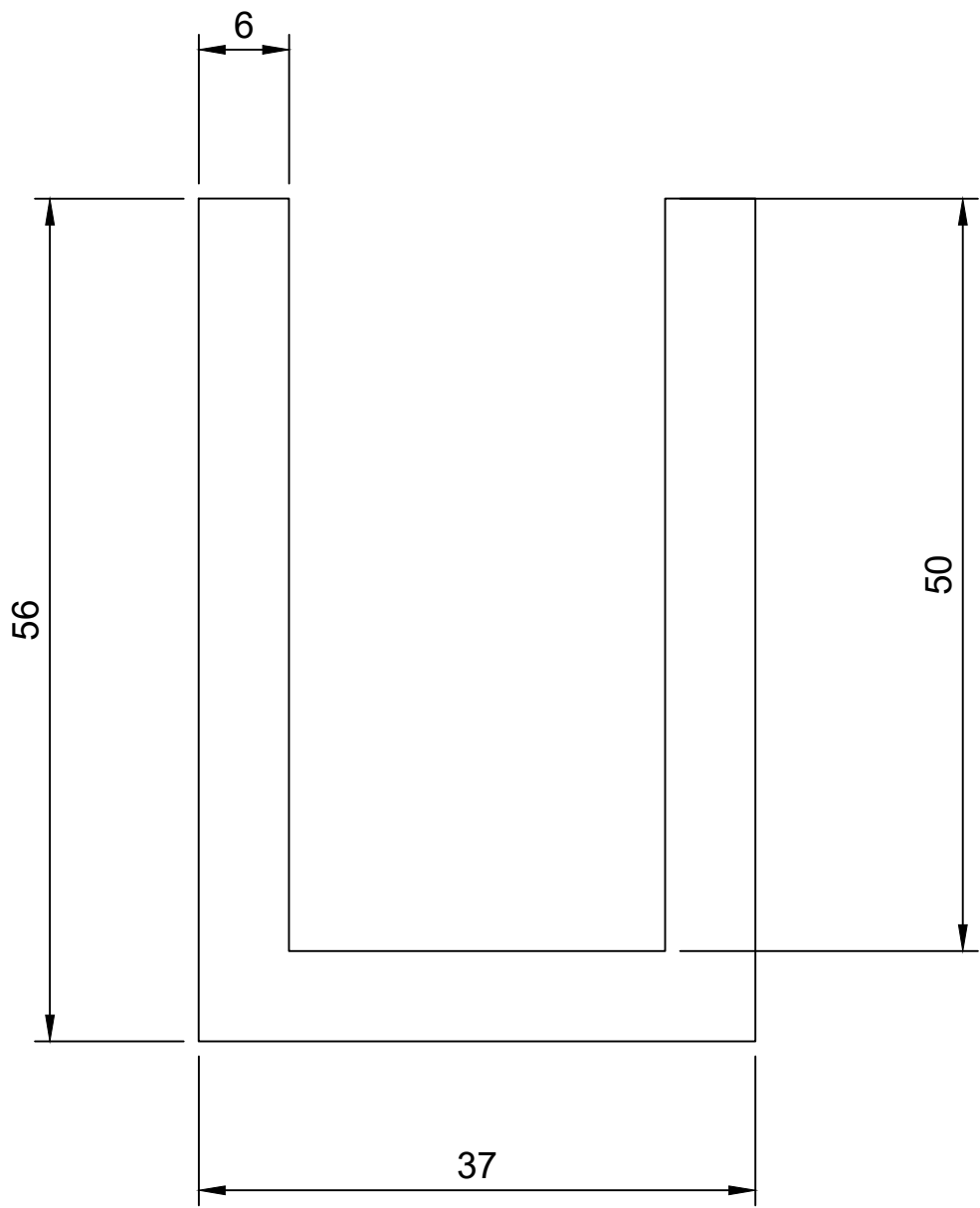
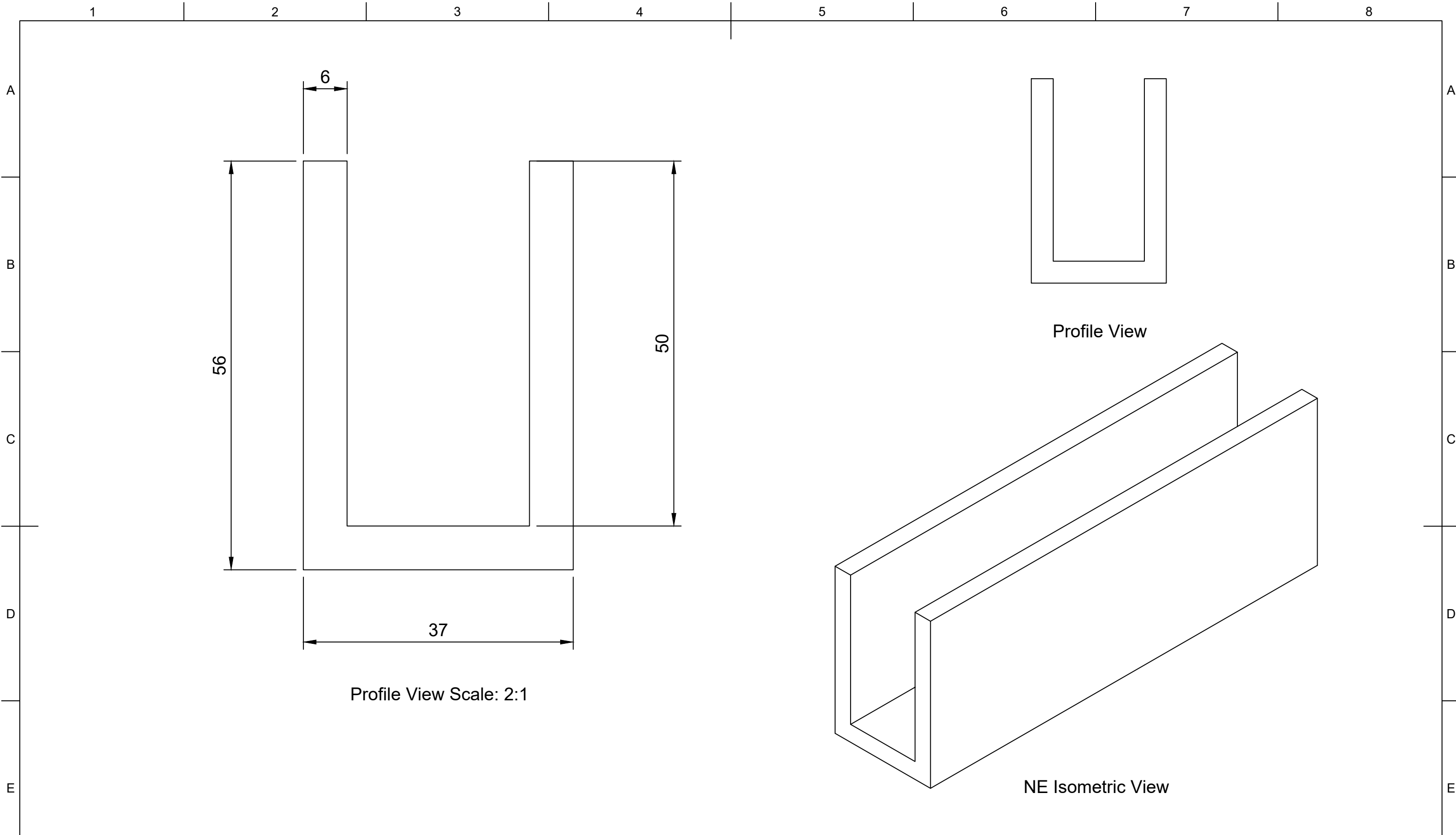
Part Number <b>203804</b>					Created By David Stirling		Cross Sectional Area (mm <sup>2</sup> ) 129		Nominal Dimension (mm)		Tolerance, ± (mm)
					Date Drawn 18/01/2022		Material Neoprene		Greater Than	Less Than or Equal to	
Description <b>U Channel (Square Base, Square Inner)</b>					Approved By		Hardness (Shore A) 70		0.00	1.50	0.40
					Date of Approval		Colour Black		1.50	2.50	0.50
Revision A	Date of Issue 18/01/2022	Sheet Scale 5:1	Sheet Size A3	Sheet 1/1	Projection 3rd Agl.	Weight (g/m) 195		2.50	4.00	0.70	
								4.00	6.30	0.80	
								6.30	10.00	1.00	
								10.00	16.00	1.30	
								16.00	25.00	1.60	
								25.00	40.00	2.00	
								40.00	63.00	2.50	
								63.00	100.00	3.20	
								100.00	—	3.20%	



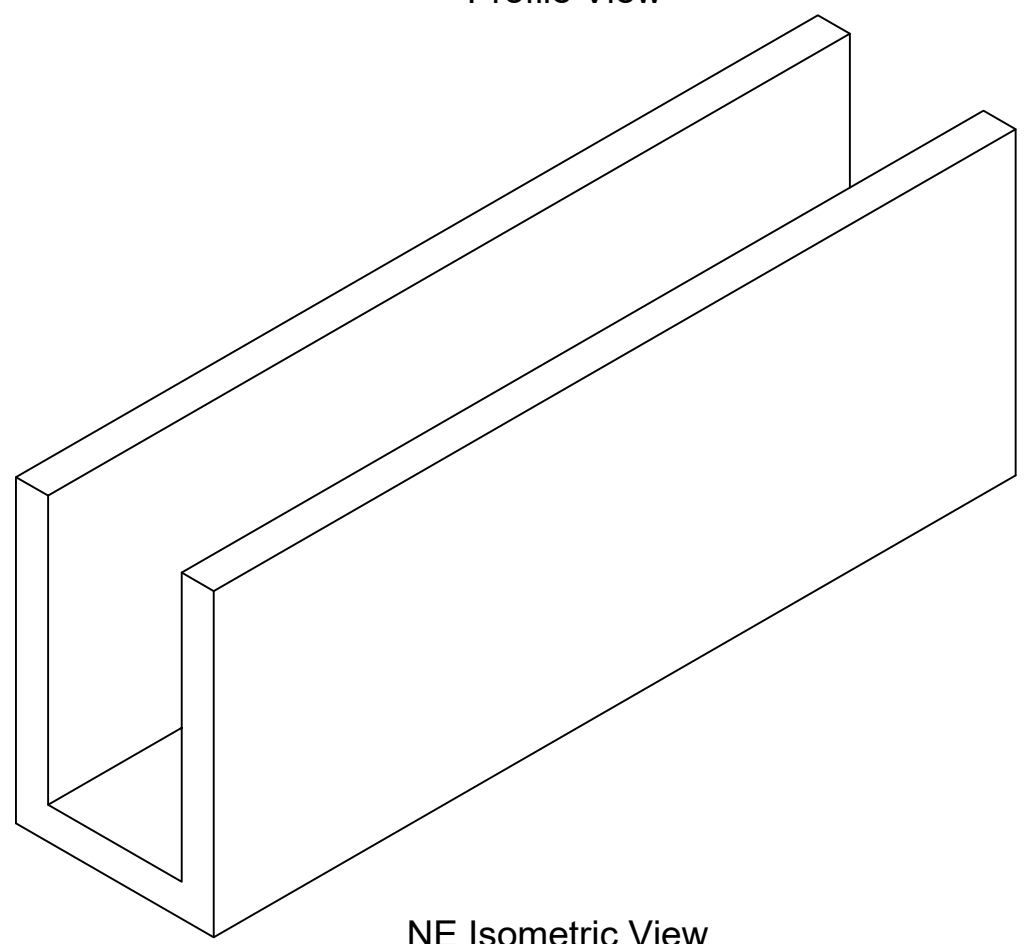
	<b>Part Number</b>				<b>Created By</b>		<b>Cross Sectional Area (mm<sup>2</sup>)</b>		<b>Nominal Dimension (mm)</b>		<b>Tolerance, ± (mm)</b>										
	203938				David Stirling		183		<b>Greater Than</b>	<b>Less Than or Equal to</b>											
	<b>Description</b>				<b>Date Drawn</b>		<b>Material</b>		0.00	1.50	0.40										
					05/10/2020		EPDM		1.50	2.50	0.50										
	U Channel (Square Base, Square Inner)				<b>Approved By</b>		<b>Hardness (Shore A)</b>		2.50	4.00	0.70										
					<b>Date of Approval</b>		70		4.00	6.30	0.80										
	<table border="1"> <tr> <td><b>Revision</b></td> <td><b>Date of Issue</b></td> <td><b>Sheet Scale</b></td> <td><b>Sheet Size</b></td> <td><b>Sheet</b></td> </tr> <tr> <td style="text-align: center;">A</td> <td style="text-align: center;">18/01/2022</td> <td style="text-align: center;">4:1</td> <td style="text-align: center;">A3</td> <td style="text-align: center;">1/1</td> </tr> </table>				<b>Revision</b>	<b>Date of Issue</b>	<b>Sheet Scale</b>	<b>Sheet Size</b>	<b>Sheet</b>	A	18/01/2022	4:1	A3	1/1	<b>Projection</b>		<b>Colour</b>		6.30	10.00	1.00
					<b>Revision</b>	<b>Date of Issue</b>	<b>Sheet Scale</b>	<b>Sheet Size</b>	<b>Sheet</b>												
	A	18/01/2022	4:1	A3	1/1																
	3rd Agl.		Black		10.00	16.00	1.30														
				<b>Weight (g/m)</b>		231		16.00	25.00	1.60											
								25.00	40.00	2.00											
								40.00	63.00	2.50											
								63.00	100.00	3.20											
								100.00		3.20%											



	<b>Part Number</b>				<b>Created By</b>		<b>Cross Sectional Area (mm<sup>2</sup>)</b>		<b>Nominal Dimension (mm)</b>		<b>Tolerance, ± (mm)</b>								
	204156				David Stirling		188		<b>Greater Than</b>	<b>Less Than or Equal to</b>	0.40								
					Date Drawn		Material		0.00	1.50									
	U Channel (Square Base, Square Inner)				20/04/2020		EPDM		1.50	2.50	0.50								
					<b>Approved By</b>		<b>Hardness (Shore A)</b>		2.50	4.00	0.70								
					Date of Approval		70		4.00	6.30	0.80								
					Black		6.30	10.00	1.00										
	<b>Revision</b> A				<b>Date of Issue</b> 18/01/2022		<b>Sheet Scale</b> 2:1		<b>Sheet Size</b> A3		<b>Sheet</b> 1/1		<b>Projection</b> 3rd Agl. 		<b>Weight (g/m)</b> 236		10.00	16.00	1.30
													16.00	25.00	1.60				
													25.00	40.00	2.00				
40.00													63.00	2.50					
								63.00	100.00	3.20									
								100.00		3.20%									



Profile View

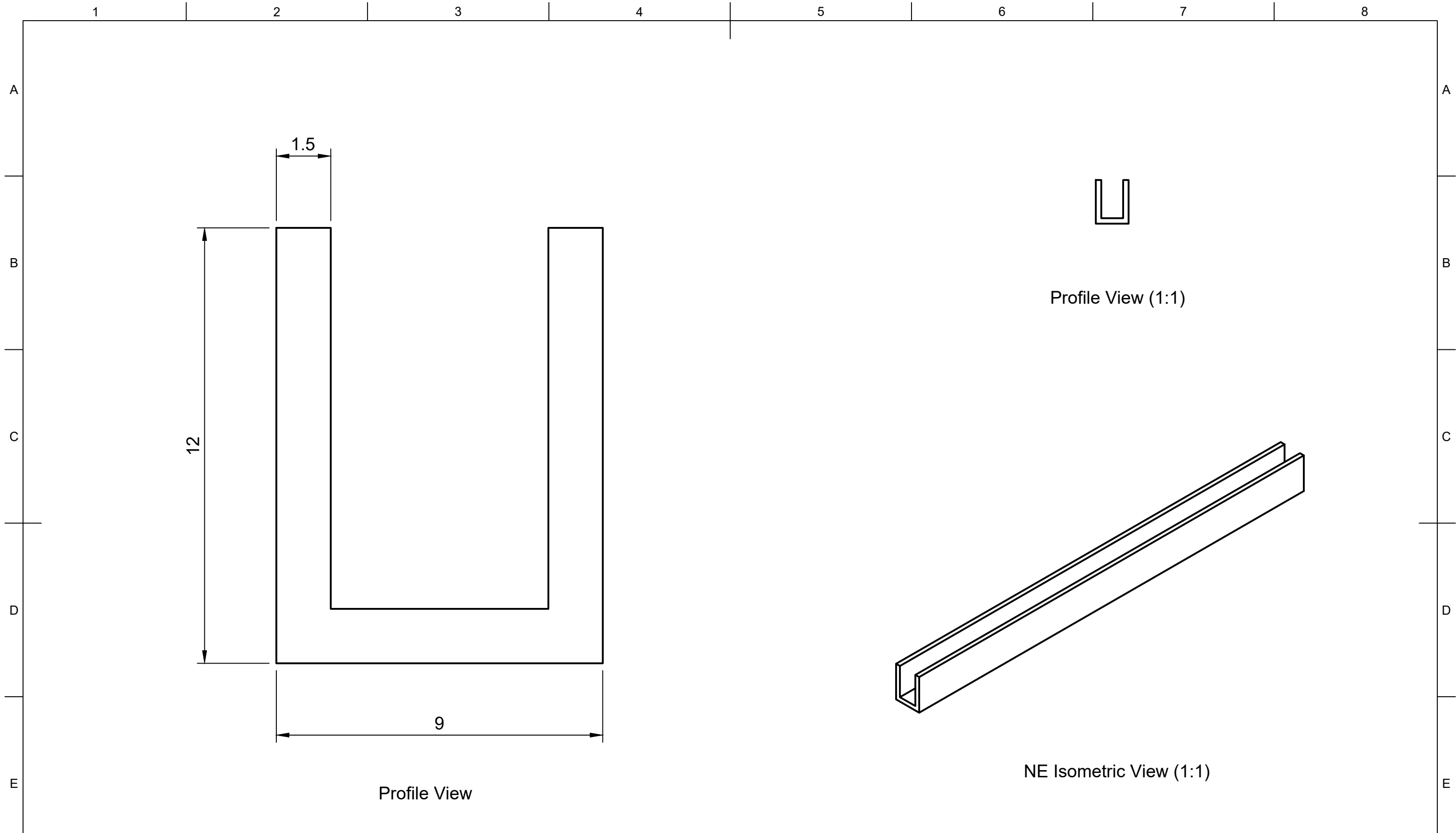



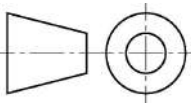
NE Isometric View

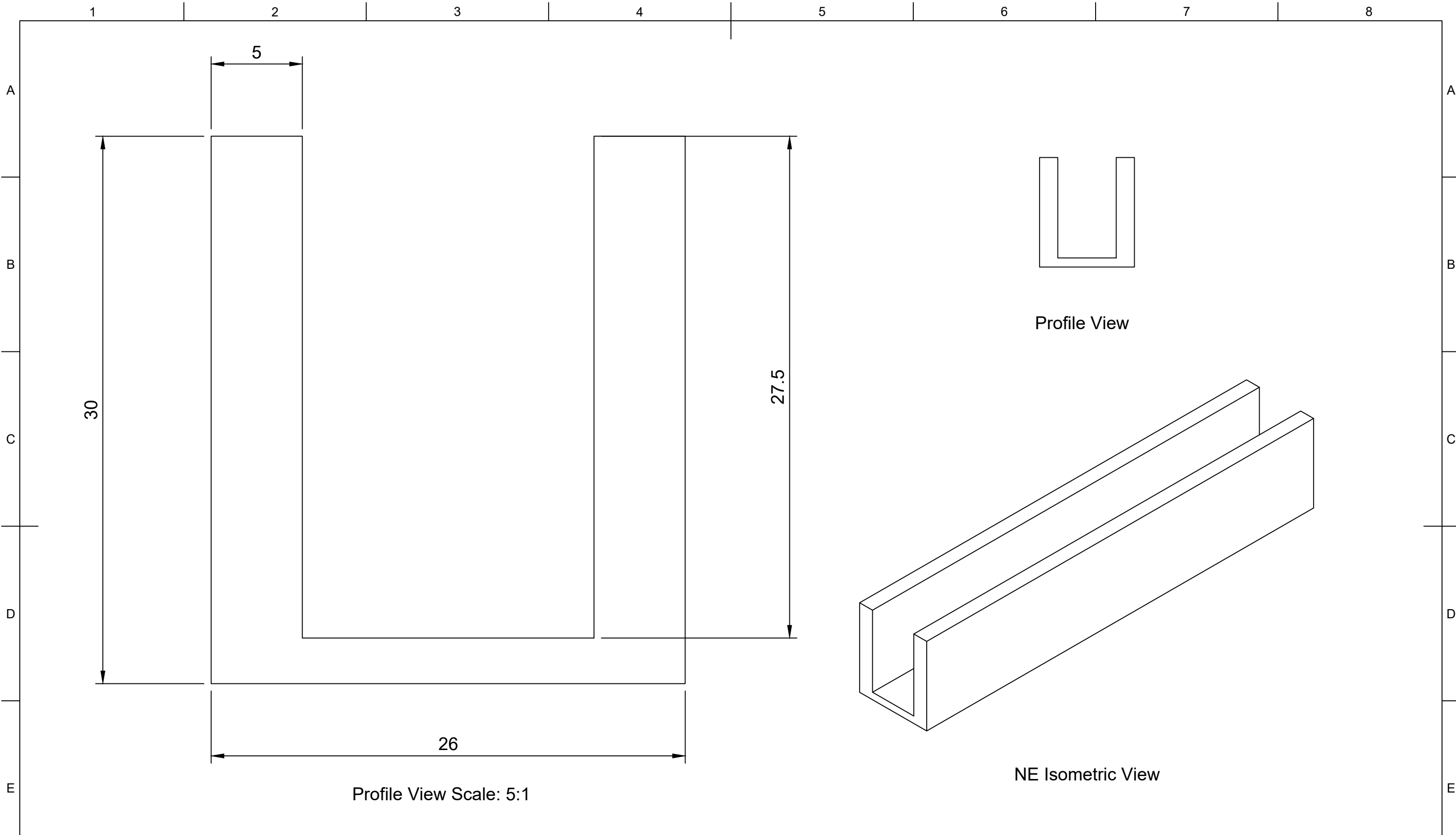
Profile View Scale: 2:1



	<b>Part Number</b>				<b>Created By</b>		<b>Cross Sectional Area (mm<sup>2</sup>)</b>		<b>Nominal Dimension (mm)</b>		<b>Tolerance, ± (mm)</b>
	204327				David Stirling		822		<b>Greater Than</b>	<b>Less Than or Equal to</b>	
	<b>Description</b> U Channel (Square Base, Square Inner)				<b>Date Drawn</b>		<b>Material</b>		0.00	1.50	0.40
					28/04/2020		EPDM		1.50	2.50	0.50
					<b>Approved By</b>		<b>Hardness (Shore A)</b>		2.50	4.00	0.70
					Date of Approval		70		4.00	6.30	0.80
					<b>Projection</b> 3rd Agl.		<b>Colour</b> Black		6.30	10.00	1.00
									<b>Weight (kg/m)</b> 1.040		10.00
	Revision	Date of Issue	Sheet Scale	Sheet Size	Sheet	16.00	25.00	1.60			
	A	19/01/2022	1:1	A3	1/1	25.00	40.00	2.00			
								40.00	63.00	2.50	
								63.00	100.00	3.20	
								100.00	—	3.20%	


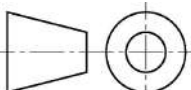


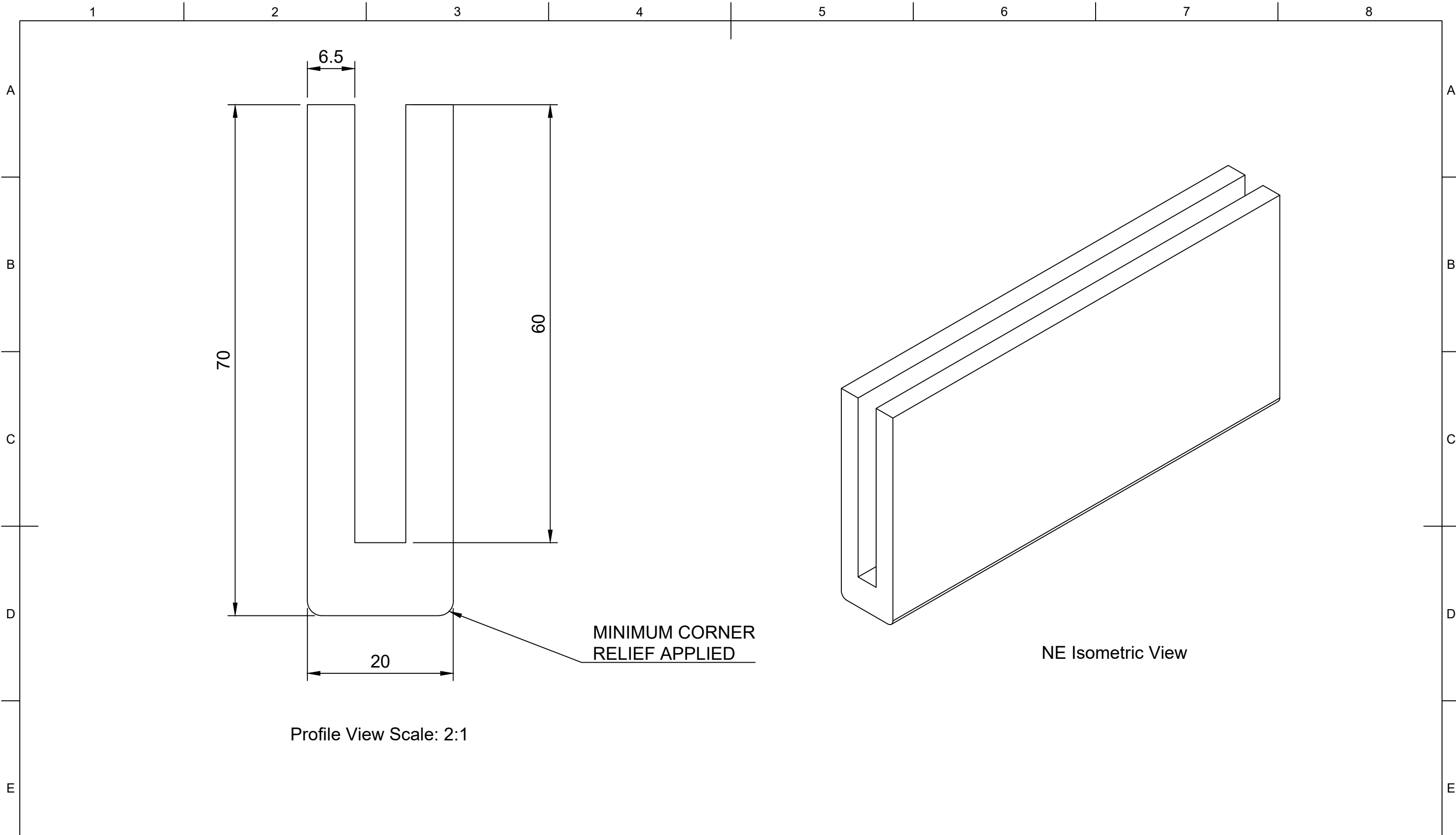
	Part Number				Created By		Cross Sectional Area (mm <sup>2</sup> )		Nominal Dimension (mm)		Tolerance, ± (mm)	
	204364				David Stirling		45		Greater Than	Less Than or Equal to		
	Description				Date Drawn		Material		0.00	1.50	0.40	
					18/01/2022		Neoprene		1.50	2.50	0.50	
	U Channel (Square Base, Square Inner)				Approved By		Hardness (Shore A)		2.50	4.00	0.70	
					Date of Approval		70		4.00	6.30	0.80	
	Revision				Projection		Colour		6.30	10.00	1.00	
					3rd Agl. 		Black		10.00	16.00	1.30	
	A		Date of Issue		Sheet Scale		Sheet Size		Sheet		Weight (g/m)	
	18/01/2022		10:1		A3		1/1		70		16.00	25.00
								25.00	40.00	2.00		
								40.00	63.00	2.50		
								63.00	100.00	3.20		
								100.00		3.20%		



Profile View Scale: 5:1

NE Isometric View

	<b>Part Number</b>				<b>Created By</b>		<b>Cross Sectional Area (mm<sup>2</sup>)</b>		<b>Nominal Dimension (mm)</b>		<b>Tolerance, ± (mm)</b>
	204399				David Stirling		340		<b>Greater Than</b>	<b>Less Than or Equal to</b>	
	<b>Description</b>				<b>Date Drawn</b>		<b>Material</b>		0.00	1.50	0.40
					27/04/2020		EPDM		1.50	2.50	0.50
	U Channel (Square Base, Square Inner)				<b>Approved By</b>		<b>Hardness (Shore A)</b>		2.50	4.00	0.70
					<b>Date of Approval</b>		70		4.00	6.30	0.80
					<b>Projection</b>		<b>Colour</b>		6.30	10.00	1.00
					3rd Agl. 		Black		10.00	16.00	1.30
	<b>Revision</b>	<b>Date of Issue</b>	<b>Sheet Scale</b>	<b>Sheet Size</b>	<b>Sheet</b>	<b>Weight (g/m)</b>		16.00	25.00	1.60	
	A	19/01/2022	1:1	A3	1/1	430		25.00	40.00	2.00	
								40.00	63.00	2.50	
								63.00	100.00	3.20	
								100.00		3.20%	



Profile View Scale: 2:1

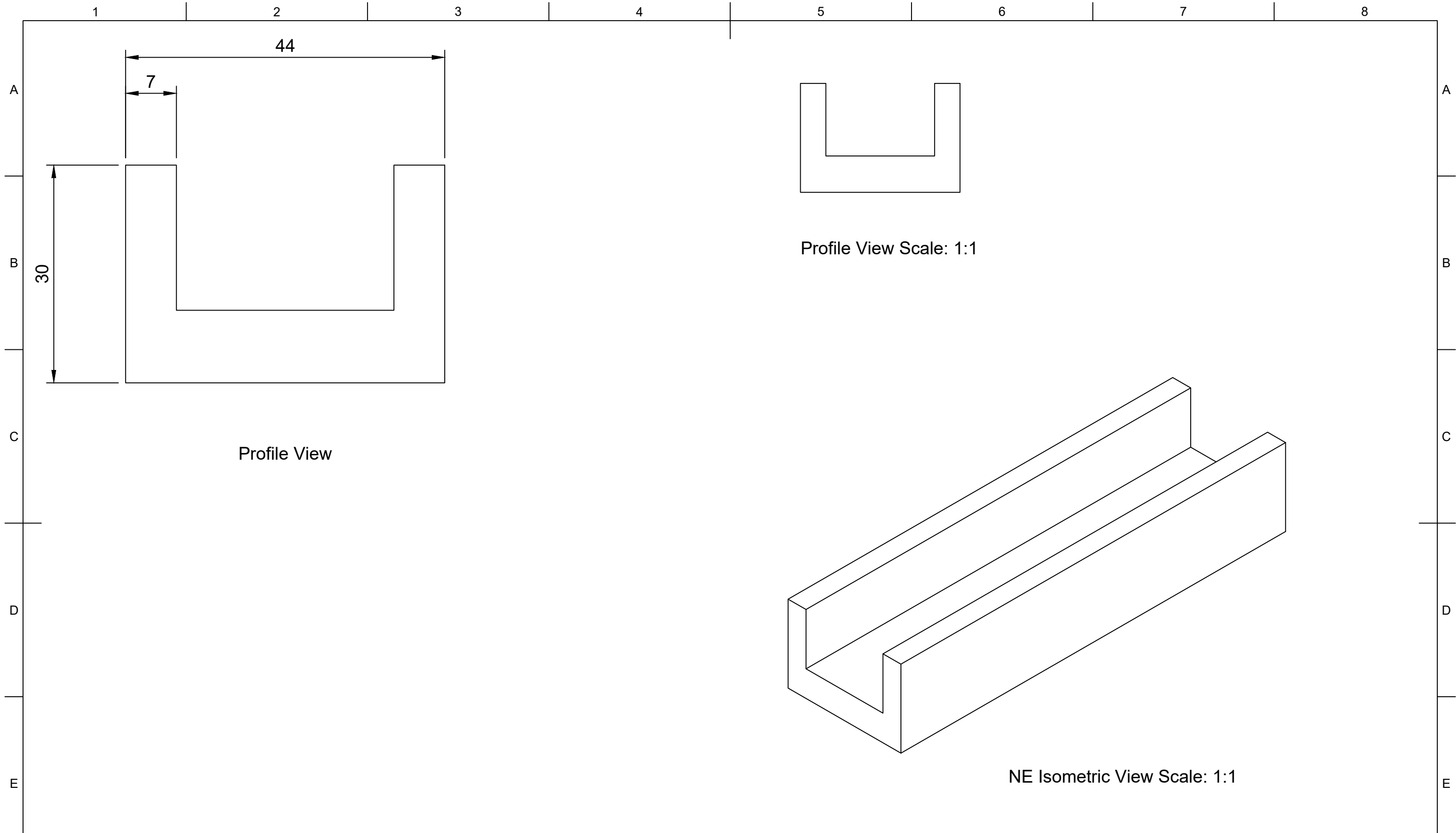
NE Isometric View

MINIMUM CORNER RELIEF APPLIED



Part Number <b>204401</b>					Created By David Stirling		Cross Sectional Area (mm <sup>2</sup> ) 978		Nominal Dimension (mm)		Tolerance, ± (mm)
					Date Drawn 28/04/2020		Material Neoprene		Greater Than	Less Than or Equal to	
Description <b>U Channel (Square Base, Square Inner)</b>					Approved By		Hardness (Shore A) 70		0.00	1.50	0.40
					Date of Approval		Colour Black		1.50	2.50	0.50
Revision A	Date of Issue 19/01/2022	Sheet Scale 2:1	Sheet Size A3	Sheet 1/1	Projection 3rd Agl.		Weight (kg/m) 1.486		2.50	4.00	0.70
									4.00	6.30	0.80
									6.30	10.00	1.00
									10.00	16.00	1.30
									16.00	25.00	1.60
								25.00	40.00	2.00	
								40.00	63.00	2.50	
								63.00	100.00	3.20	
								100.00		3.20%	





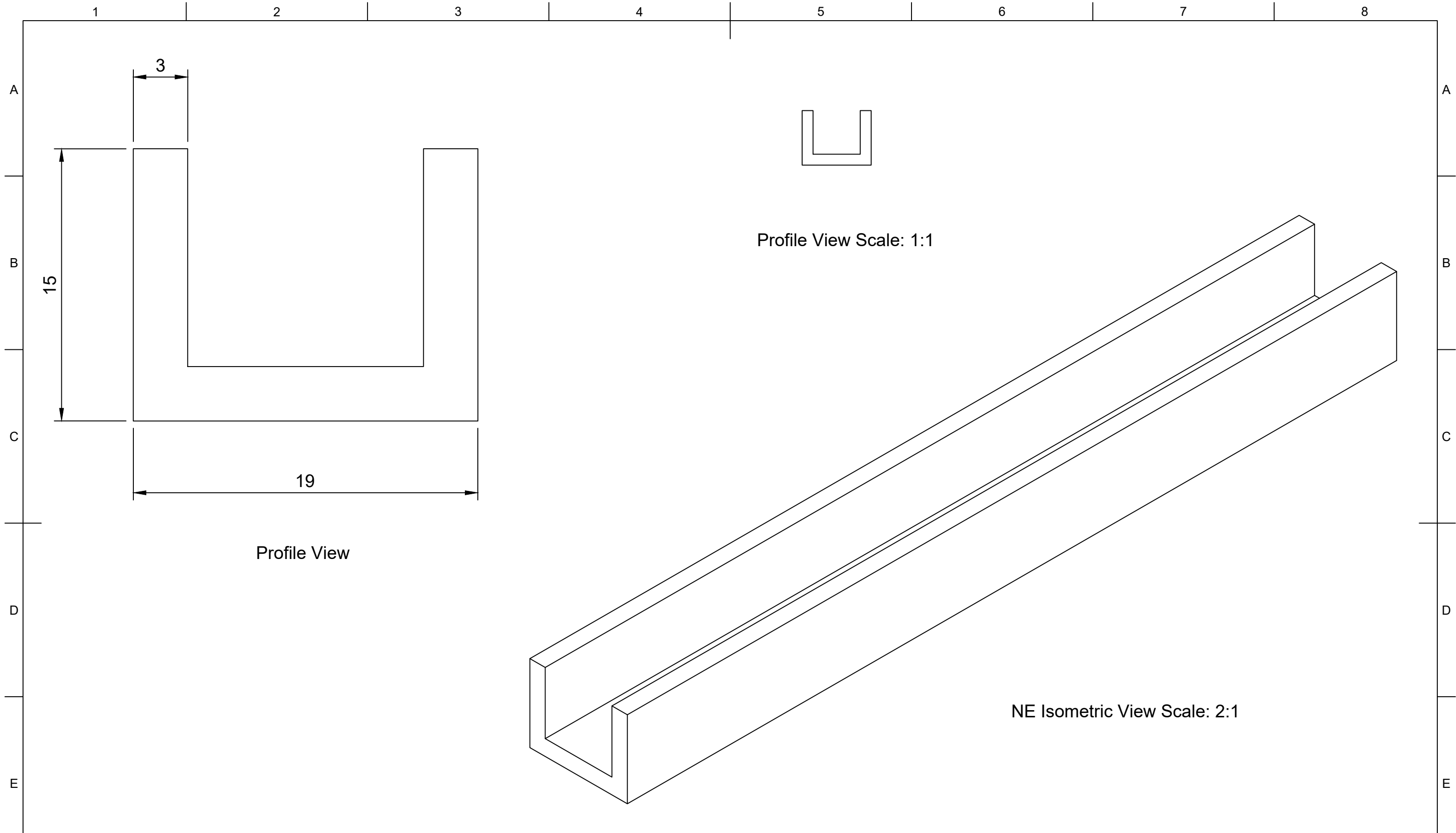
Profile View

Profile View Scale: 1:1

NE Isometric View Scale: 1:1


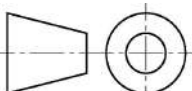


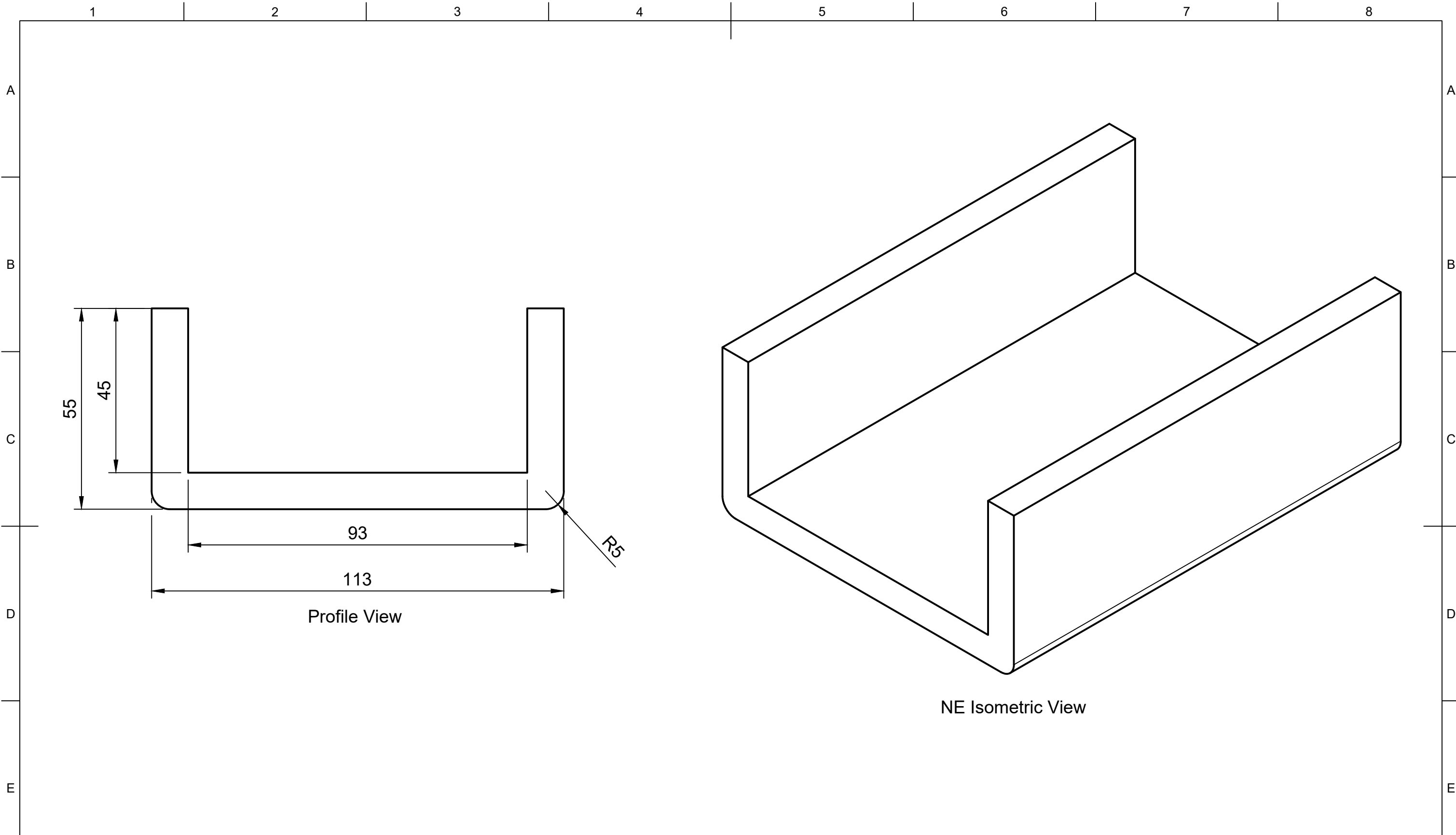
	<b>Part Number</b>				<b>Created By</b>		<b>Cross Sectional Area (mm<sup>2</sup>)</b>		<b>Nominal Dimension (mm)</b>		<b>Tolerance, ± (mm)</b>	
	204624				David Stirling		720		<b>Greater Than</b>	<b>Less Than or Equal to</b>		
	<b>Description</b>				<b>Date Drawn</b>		<b>Material</b>		0.00	1.50	0.40	
					U Channel (Square Base, Square Inner)		20/04/2020		EPDM		1.50	2.50
					<b>Approved By</b>		<b>Hardness (Shore A)</b>		2.50	4.00	0.70	
					Date of Approval		70		4.00	6.30	0.80	
					<b>Projection</b>		<b>Colour</b>		6.30	10.00	1.00	
									3rd Agl.		Black	
	<b>Revision</b>		<b>Date of Issue</b>		<b>Sheet Scale</b>		<b>Sheet Size</b>		<b>Sheet</b>		<b>Weight (g/m)</b>	
	A		18/01/2022		2:1		A3		1/1		16.00	25.00
										25.00	40.00	2.00
										40.00	63.00	2.50
										63.00	100.00	3.20
										100.00		3.20%



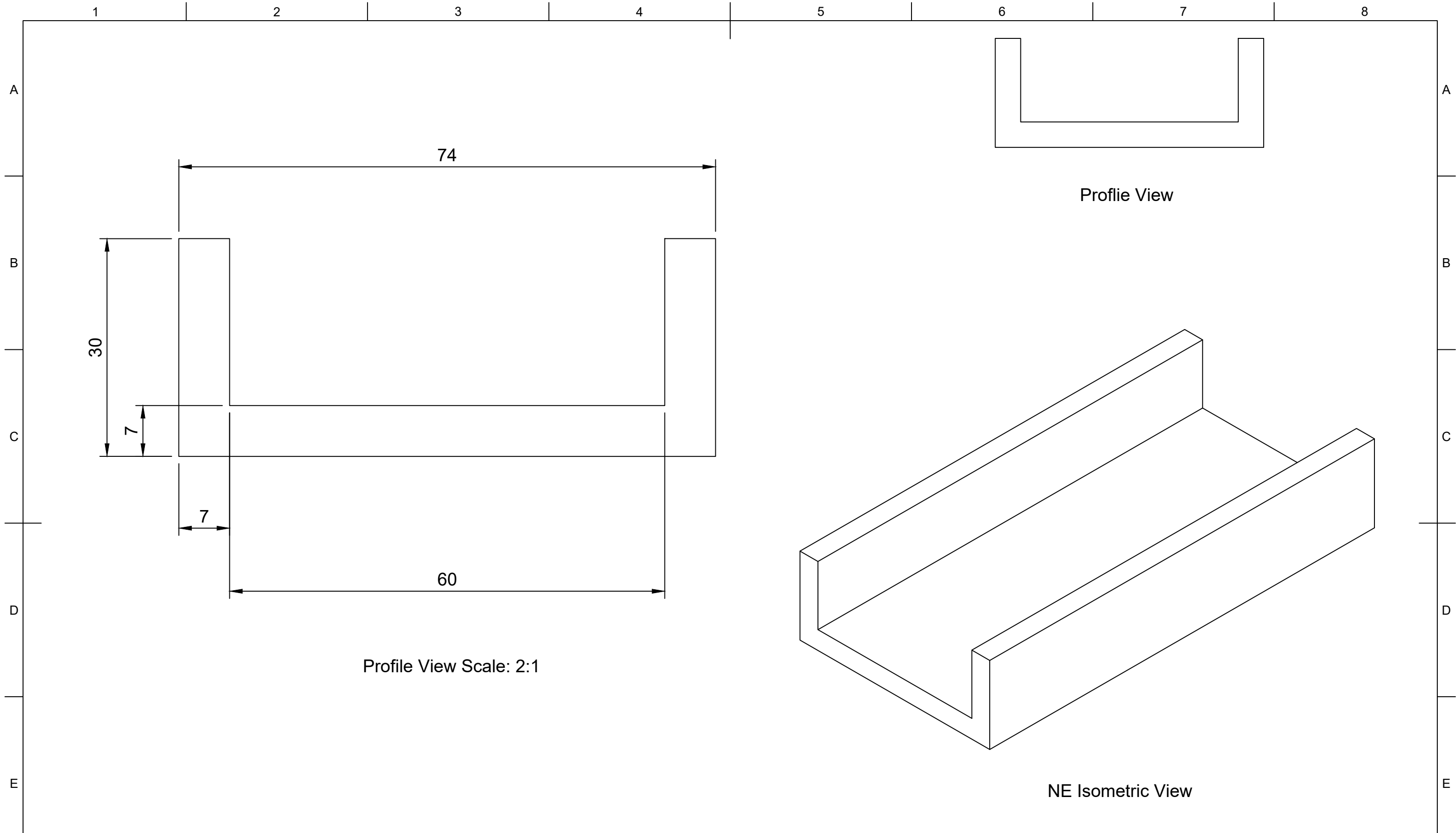
Profile View

NE Isometric View Scale: 2:1

	<b>Part Number</b>				<b>Created By</b>		<b>Cross Sectional Area (mm<sup>2</sup>)</b>		<b>Nominal Dimension (mm)</b>		<b>Tolerance, ± (mm)</b>
	204854				David Stirling		129		<b>Greater Than</b>	<b>Less Than or Equal to</b>	0.40
					Date Drawn		Material		0.00	1.50	
	U Channel (Square Base, Square Inner)				19/04/2020		EPDM		1.50	2.50	0.50
					<b>Approved By</b>		<b>Hardness (Shore A)</b>		2.50	4.00	0.70
					Date of Approval		Colour		4.00	6.30	0.80
					16.00		25.00		6.30	10.00	1.00
	<b>Revision</b>				<b>Projection</b>		<b>Weight (g/m)</b>		10.00	16.00	1.30
	A	18/01/2022	5:1	A3	1/1	3rd Agl.	160		16.00	25.00	1.60
	<b>Sheet Scale</b>				<b>Sheet Size</b>		<b>Sheet</b>		25.00	40.00	2.00
5:1				A3		1/1		40.00	63.00	2.50	
								63.00	100.00	3.20	
								100.00		3.20%	

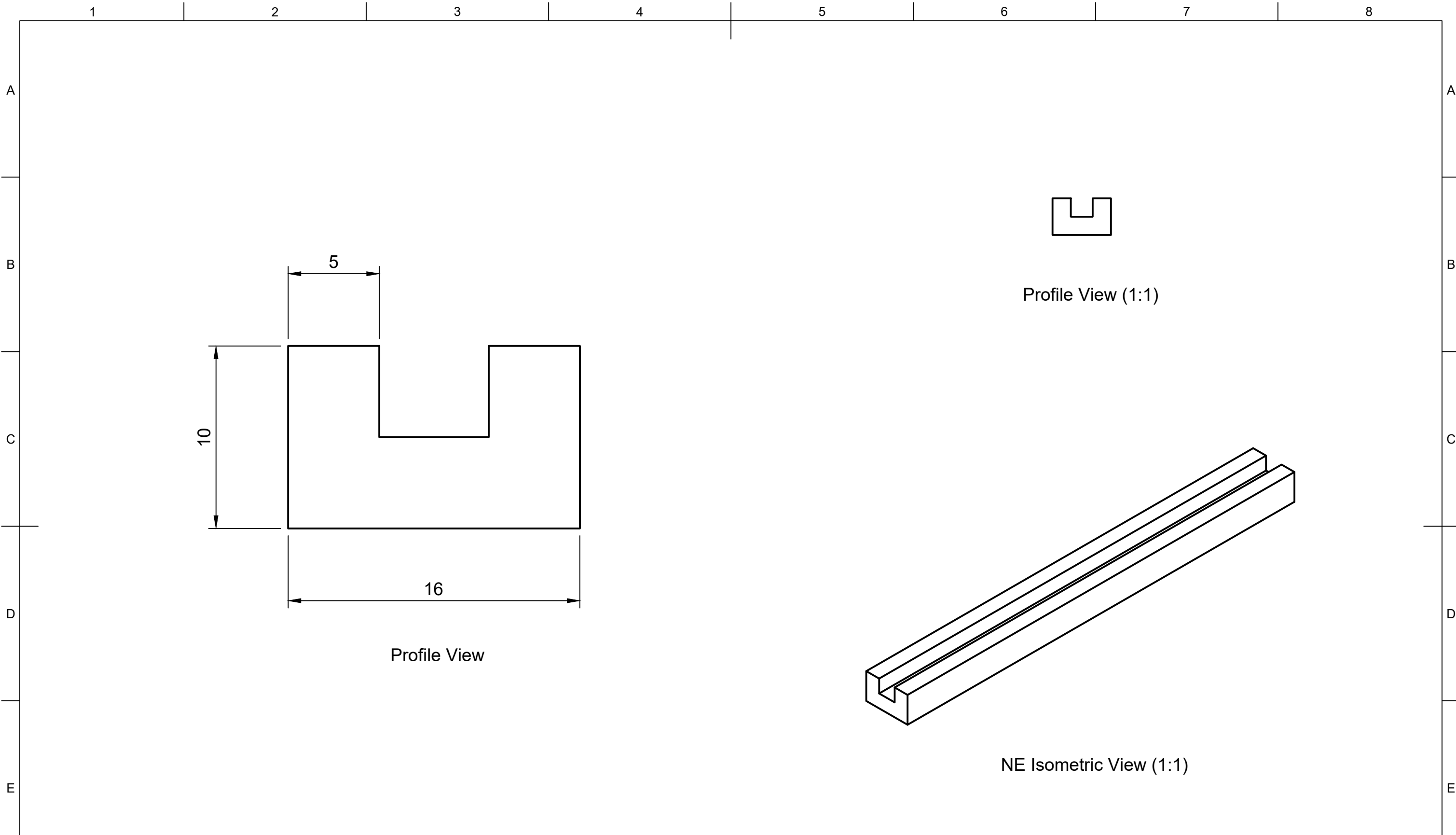


Part Number <b>204890</b>					Created By David Stirling		Cross Sectional Area (mm <sup>2</sup> ) 2019		Nominal Dimension (mm)		Tolerance, ± (mm)
					Date Drawn 21/09/2021		Material EPDM		Greater Than	Less Than or Equal to	
Description <b>U Channel (Square Base, Square Inner)</b>					Approved By		Hardness (Shore A) 70		0.00	1.50	0.40
					Date of Approval		Colour Black		1.50	2.50	0.50
Revision A	Date of Issue 18/01/2022	Sheet Scale 1:1	Sheet Size A3	Sheet 1/1	Projection 3rd Agl.	Weight (kg/m) 2.500		2.50	4.00	0.70	
								6.30	10.00	1.00	
								10.00	16.00	1.30	
								16.00	25.00	1.60	
						25.00	40.00	2.00			
						40.00	63.00	2.50			
						63.00	100.00	3.20			
						100.00		3.20%			

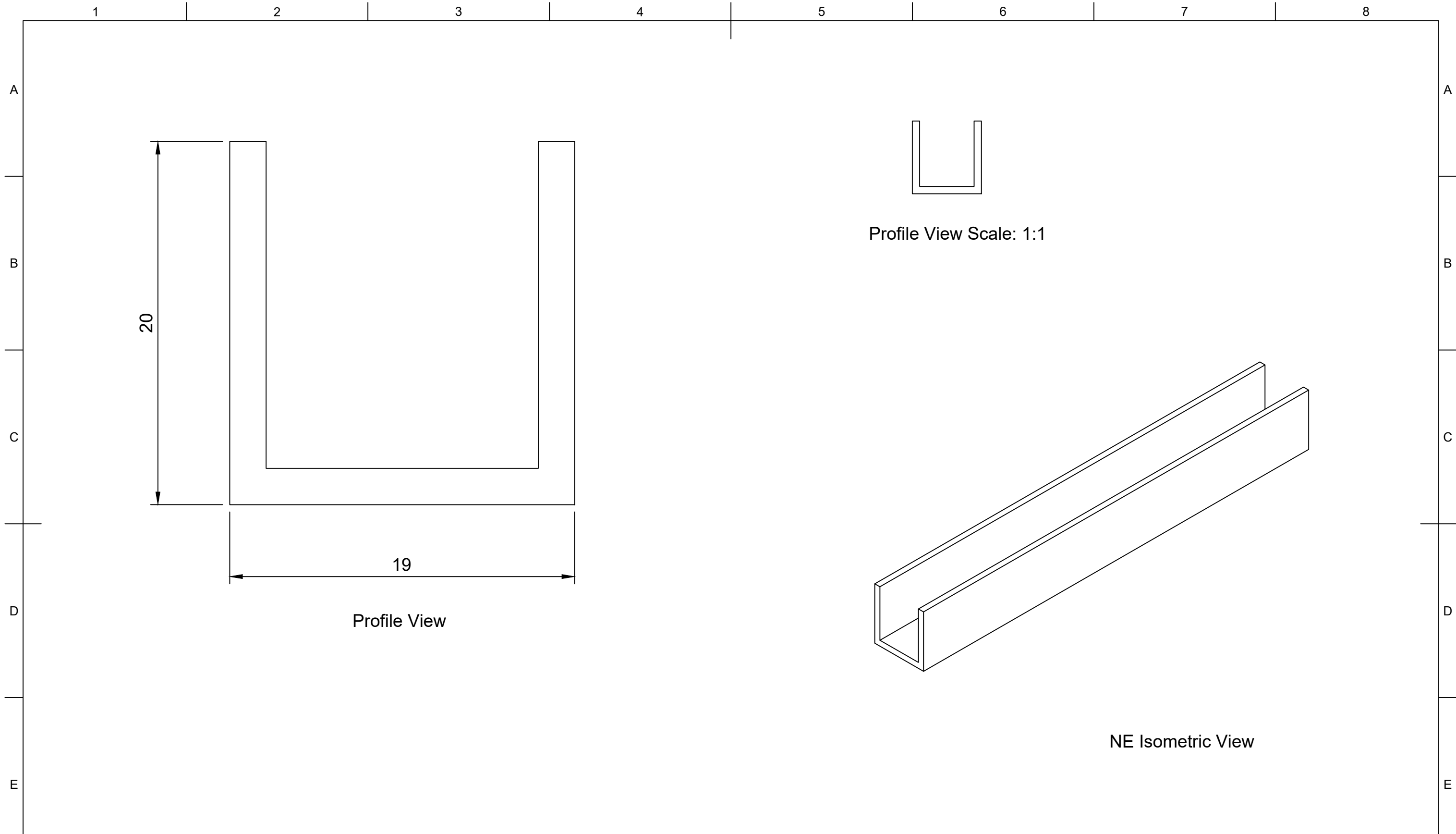



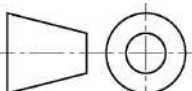
Part Number		204993			Created By	David Stirling	Cross Sectional Area (mm <sup>2</sup> )	840		Nominal Dimension (mm)		Tolerance, ± (mm)
					Date Drawn	03/06/2020	Material	EPDM	Greater Than	Less Than or Equal to	0.00	
Description		U Channel (Square Base, Square Inner)			Approved By		Hardness (Shore A)	70		2.50	4.00	0.70
					Date of Approval		Colour	Black	4.00	6.30	0.80	6.30
Revision	Date of Issue	Sheet Scale	Sheet Size	Sheet	Projection	3rd Agl.	Weight (kg/m)	1.058		10.00	16.00	1.30
A	24/01/2022	1:1	A3	1/1						16.00	25.00	1.60
										40.00	63.00	2.50
										63.00	100.00	3.20
										100.00		3.20%

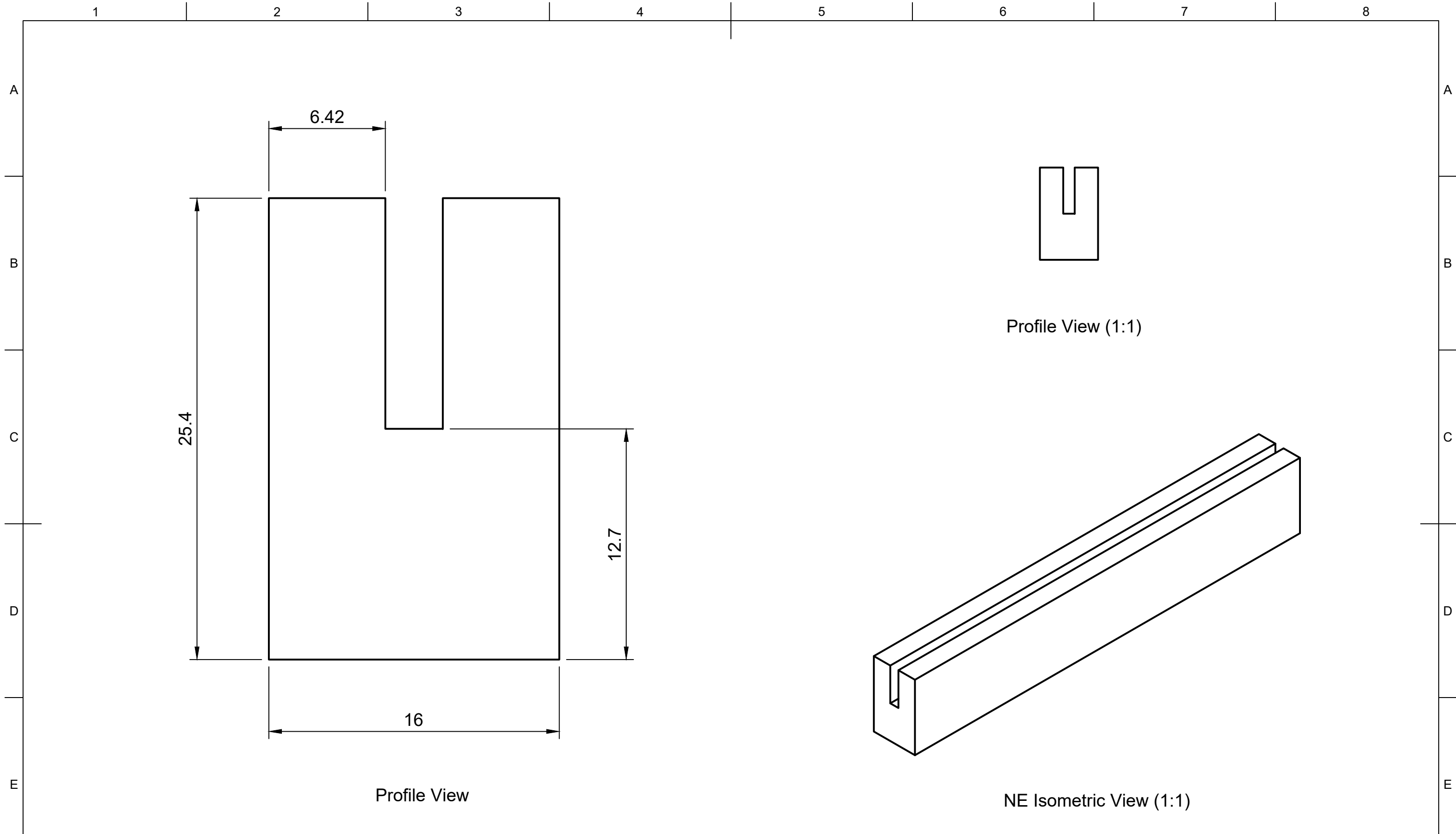



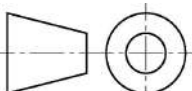


<b>WALKERRUBBER</b> LTD	<b>Part Number</b>				<b>Created By</b>		<b>Cross Sectional Area (mm<sup>2</sup>)</b>		<b>Nominal Dimension (mm)</b>		<b>Tolerance, ± (mm)</b>										
	205112				David Stirling		130		<b>Greater Than</b>	<b>Less Than or Equal to</b>											
	<b>Description</b>				<b>Date Drawn</b>		<b>Material</b>		0.00	1.50	0.40										
					18/01/2022		Neoprene		1.50	2.50	0.50										
	U Channel (Square Base, Square Inner)				<b>Approved By</b>		<b>Hardness (Shore A)</b>		2.50	4.00	0.70										
					<b>Date of Approval</b>		70		4.00	6.30	0.80										
	<table border="1"> <tr> <td><b>Revision</b></td> <td><b>Date of Issue</b></td> <td><b>Sheet Scale</b></td> <td><b>Sheet Size</b></td> <td><b>Sheet</b></td> </tr> <tr> <td style="text-align: center;">A</td> <td style="text-align: center;">18/01/2022</td> <td style="text-align: center;">5:1</td> <td style="text-align: center;">A3</td> <td style="text-align: center;">1/1</td> </tr> </table>				<b>Revision</b>	<b>Date of Issue</b>	<b>Sheet Scale</b>	<b>Sheet Size</b>	<b>Sheet</b>	A	18/01/2022	5:1	A3	1/1	<b>Projection</b>		<b>Colour</b>		6.30	10.00	1.00
					<b>Revision</b>	<b>Date of Issue</b>	<b>Sheet Scale</b>	<b>Sheet Size</b>	<b>Sheet</b>												
	A	18/01/2022	5:1	A3	1/1																
	3rd Agl.		Black		10.00	16.00	1.30														
				<b>Weight (g/m)</b>		16.00	25.00	1.60													
				198		25.00	40.00	2.00													
				40.00	63.00	2.50															
				63.00	100.00	3.20															
		100.00		3.20%																	

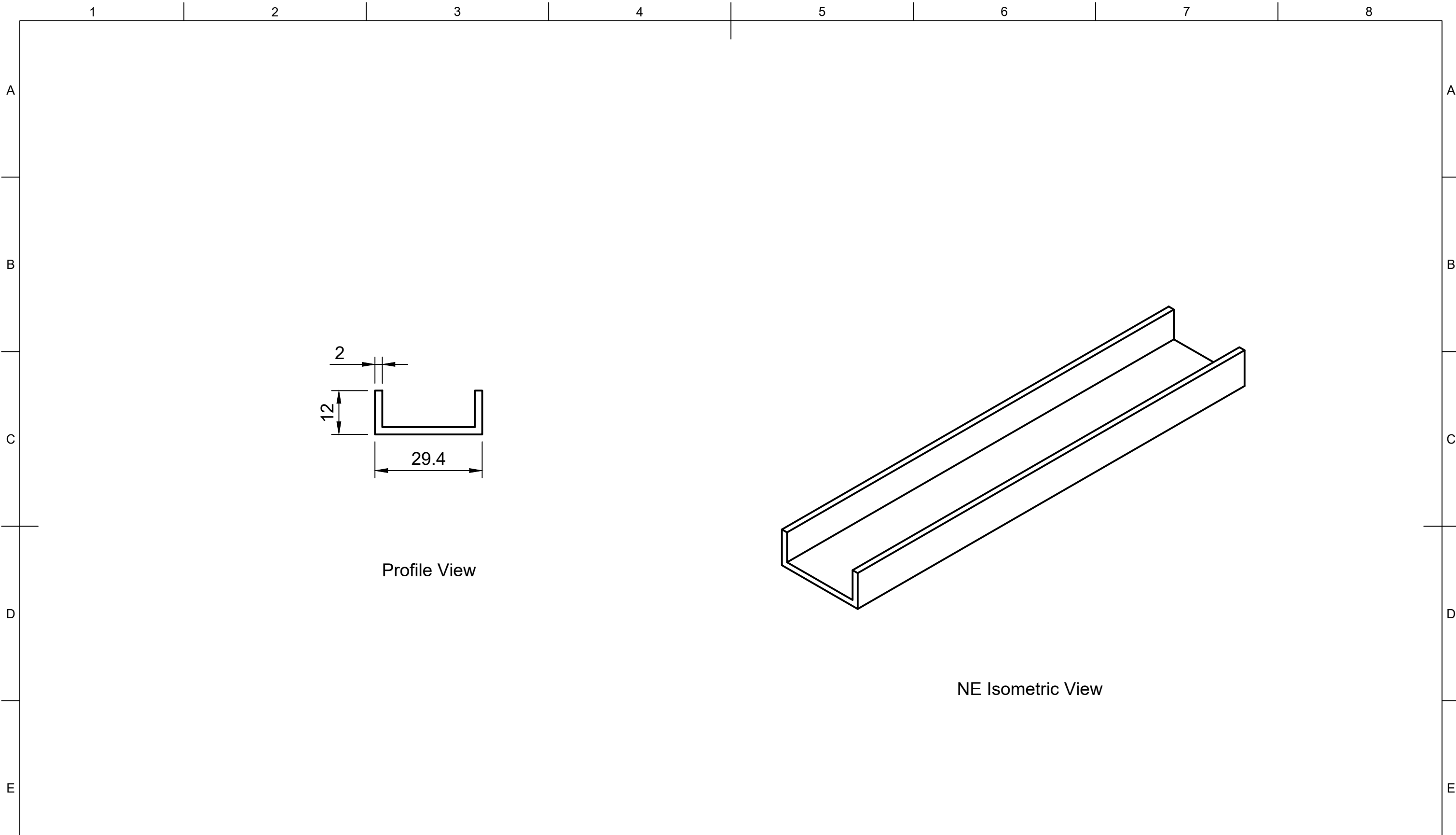


	<b>Part Number</b>				<b>Created By</b>		<b>Cross Sectional Area (mm<sup>2</sup>)</b>		<b>Nominal Dimension (mm)</b>		<b>Tolerance, ± (mm)</b>
	205236				David Stirling		110		<b>Greater Than</b>	<b>Less Than or Equal to</b>	
	<b>Description</b>				<b>Date Drawn</b>		<b>Material</b>		0.00	1.50	0.40
					19/04/2020		EPDM		1.50	2.50	0.50
	U Channel (Square Base, Square Inner)				<b>Approved By</b>		<b>Hardness (Shore A)</b>		2.50	4.00	0.70
					<b>Date of Approval</b>		70		4.00	6.30	0.80
					<b>Projection</b>		<b>Colour</b>		6.30	10.00	1.00
									3rd Agl. 		Black
	<b>Revision</b>	<b>Date of Issue</b>	<b>Sheet Scale</b>	<b>Sheet Size</b>	<b>Sheet</b>	<b>Weight (g/m)</b>		16.00	25.00	1.60	
	A	18/01/2022	5:1	A3	1/1			25.00	40.00	2.00	
								40.00	63.00	2.50	
								63.00	100.00	3.20	
								100.00		3.20%	



	<b>Part Number</b>				<b>Created By</b>		<b>Cross Sectional Area (mm<sup>2</sup>)</b>		<b>Nominal Dimension (mm)</b>		<b>Tolerance, ± (mm)</b>		
	205313				David Stirling		366		<b>Greater Than</b>	<b>Less Than or Equal to</b>			
	<b>Description</b>				<b>Date Drawn</b>		<b>Material</b>		0.00	1.50	0.40		
					18/01/2022		Neoprene		1.50	2.50	0.50		
	U Channel (Square Base, Square Inner)				<b>Approved By</b>		<b>Hardness (Shore A)</b>		2.50	4.00	0.70		
					<b>Date of Approval</b>		70		4.00	6.30	0.80		
	<b>Projection</b>		Black				6.30	10.00	1.00				
					3rd Agl. 		Weight (g/m)		10.00	16.00	1.30		
	A		18/01/2022						5:1		A3		1/1
					A		18/01/2022						
A		18/01/2022		5:1					A3		1/1		40.00
						A		18/01/2022					5:1
A		18/01/2022		5:1						A3		1/1	



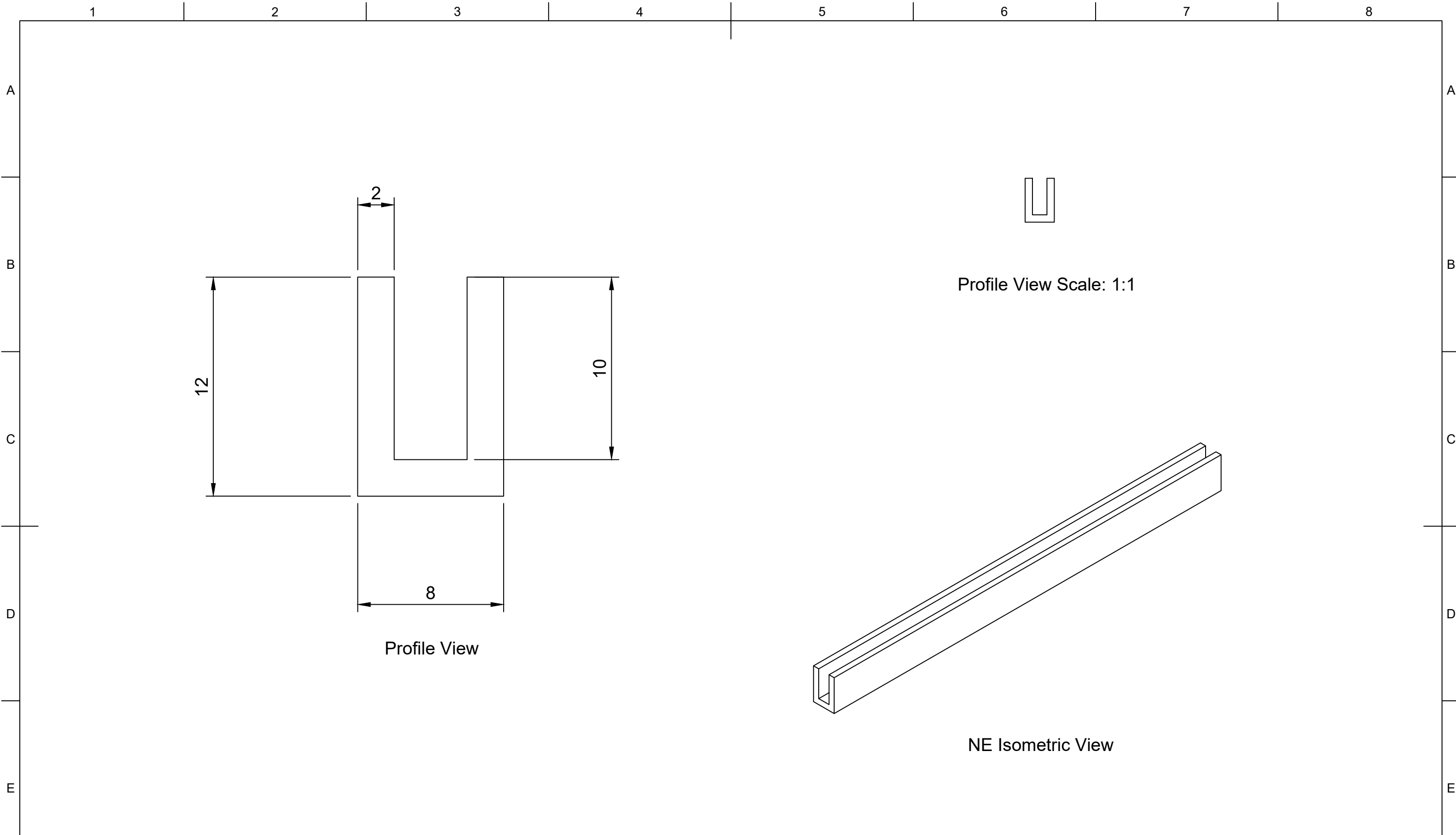



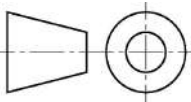
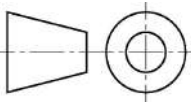
Profile View

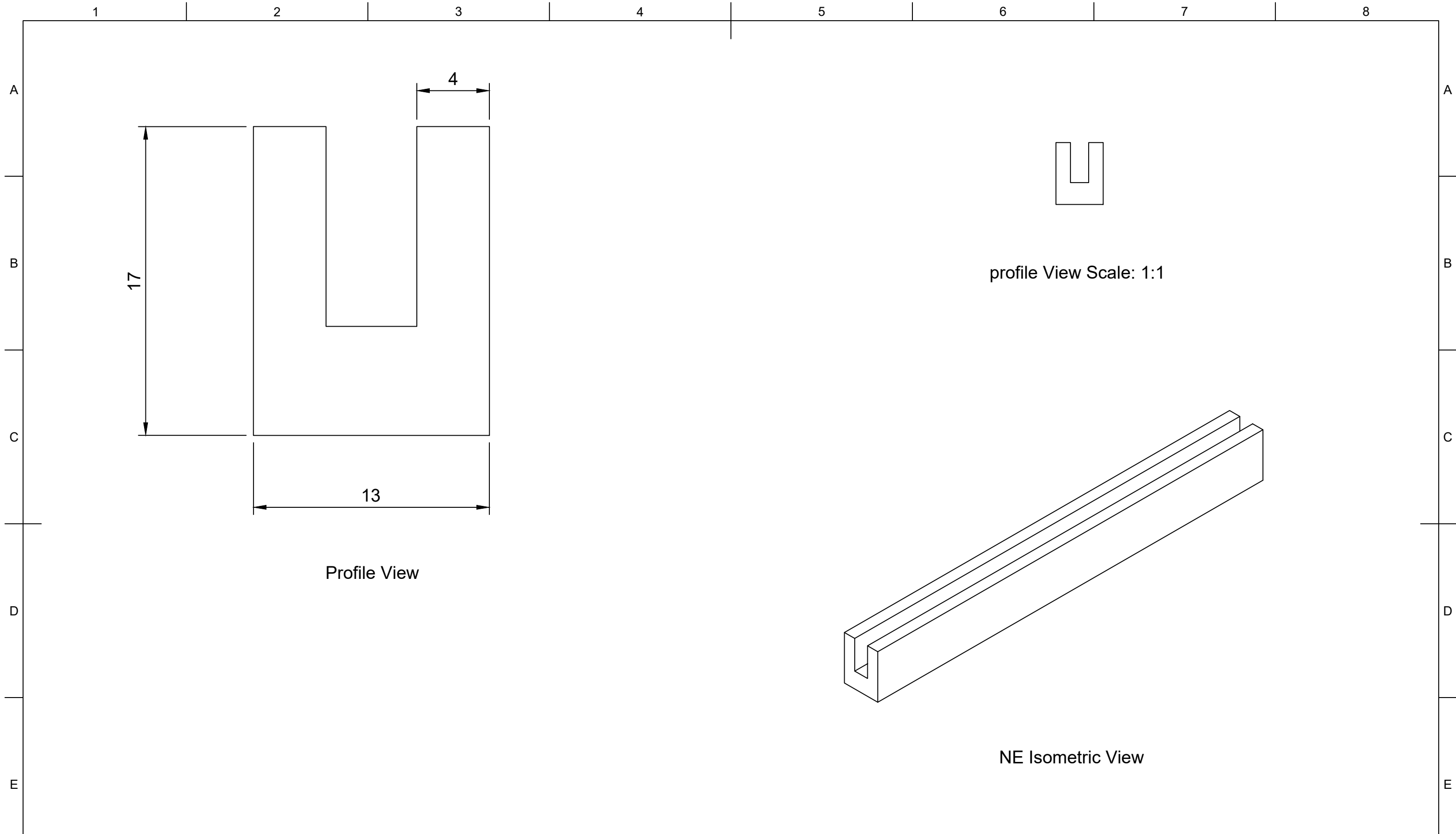
NE Isometric View


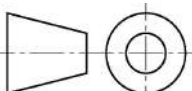


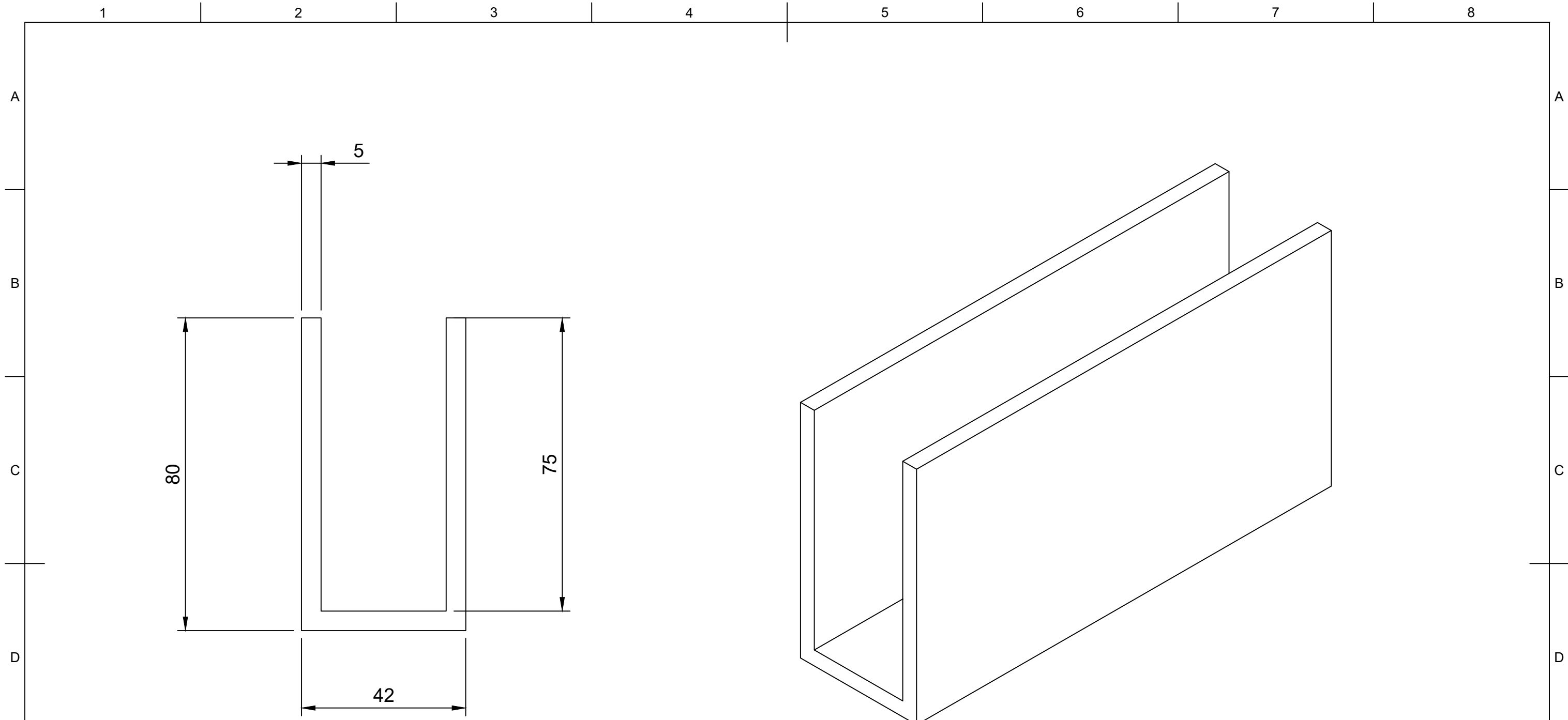
Part Number <b>205354</b>					Created By David Stirling		Cross Sectional Area (mm <sup>2</sup> ) 99		Nominal Dimension (mm)		Tolerance, ± (mm)
					Date Drawn 18/01/2022		Material Neoprene		Greater Than	Less Than or Equal to	
Description <b>U Channel (Square Base, Square Inner)</b>					Approved By		Hardness (Shore A) 70		0.00	1.50	0.40
					Date of Approval		Colour Black		1.50	2.50	0.50
Revision A	Date of Issue 18/01/2022	Sheet Scale 1:1	Sheet Size A3	Sheet 1/1	Projection 3rd Agl.		Weight (g/m) 196		2.50	4.00	0.70
									4.00	6.30	0.80
									6.30	10.00	1.00
									10.00	16.00	1.30
									16.00	25.00	1.60
								25.00	40.00	2.00	
								40.00	63.00	2.50	
								63.00	100.00	3.20	
								100.00		3.20%	



	<b>Part Number</b>				<b>Created By</b>		<b>Cross Sectional Area (mm<sup>2</sup>)</b>		<b>Nominal Dimension (mm)</b>		<b>Tolerance, ± (mm)</b>	
	205688				David Stirling		56		<b>Greater Than</b>	<b>Less Than or Equal to</b>		
	<b>Description</b>				<b>Date Drawn</b>		<b>Material</b>		0.00	1.50	0.40	
					17/04/2020		Nitrile		1.50	2.50	0.50	
	U Channel (Square Base, Square Inner)				<b>Approved By</b>		<b>Hardness (Shore A)</b>		2.50	4.00	0.70	
					<b>Date of Approval</b>		70		4.00	6.30	0.80	
	<b>Projection</b>		Black				6.30	10.00	1.00			
			3rd Agl. 		70		10.00	16.00	1.30			
	<b>Weight (g/m)</b>				70		16.00	25.00	1.60			
			25.00	40.00			2.00					
<b>Revision</b>		<b>Date of Issue</b>		<b>Sheet Scale</b>		<b>Sheet Size</b>		<b>Sheet</b>		<b>Projection</b>		
A		18/01/2022		5:1		A3		1/1				
												40.00
										63.00	100.00	3.20
										100.00		3.20%


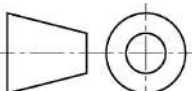


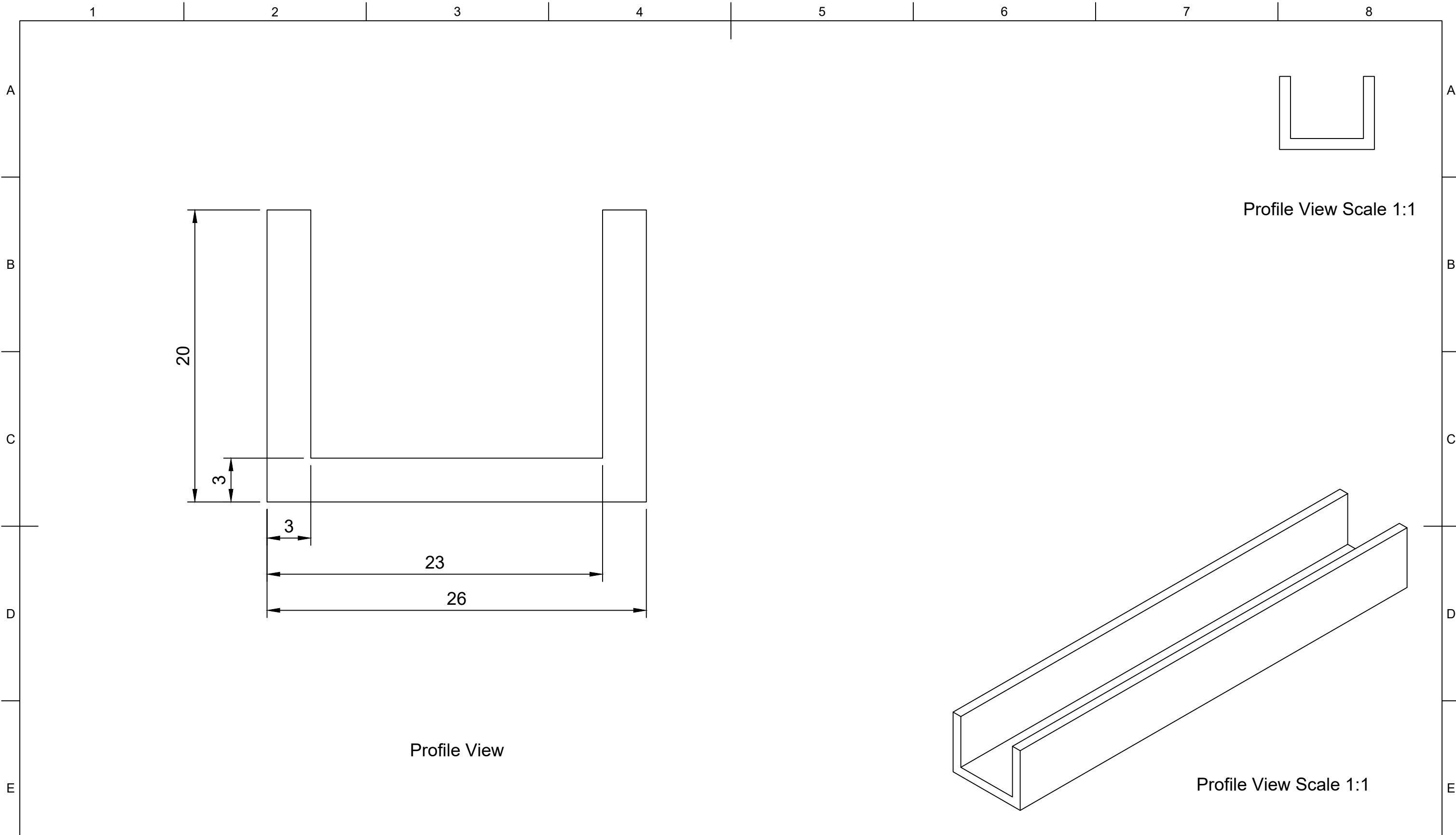
	<b>Part Number</b>				<b>Created By</b>		<b>Cross Sectional Area (mm<sup>2</sup>)</b>		<b>Nominal Dimension (mm)</b>		<b>Tolerance, ± (mm)</b>	
	205843				David Stirling		166		<b>Greater Than</b>	<b>Less Than or Equal to</b>		
	<b>Description</b>				<b>Date Drawn</b>		<b>Material</b>		0.00	1.50	0.40	
	U Channel (Square Base, Square Inner)				19/04/2020		EPDM		1.50	2.50	0.50	
	<b>Revision</b>				<b>Approved By</b>		<b>Hardness (Shore A)</b>		2.50	4.00	0.70	
	A	Date of Issue		Sheet Scale		Date of Approval		70		4.00	6.30	0.80
		18/01/2022		5:1				Black		6.30	10.00	1.00
				Sheet Size		<b>Projection</b>		Colour		10.00	16.00	1.30
				A3		3rd Angl. 		Black		16.00	25.00	1.60
				Sheet				Weight (g/m)		25.00	40.00	2.00
			1/1				209		40.00	63.00	2.50	
									63.00	100.00	3.20	
									100.00		3.20%	



Profile View

NE Isometric View Scale: 1:1

	<b>Part Number</b>				<b>Created By</b>		<b>Cross Sectional Area (mm<sup>2</sup>)</b>		<b>Nominal Dimension (mm)</b>		<b>Tolerance, ± (mm)</b>										
	205932				David Stirling		960		<b>Greater Than</b>	<b>Less Than or Equal to</b>											
	<b>Description</b>				<b>Date Drawn</b>		<b>Material</b>		0.00		0.40										
					20/04/2020		EPDM		1.50		0.50										
	U Channel (Square Base, Square Inner)				<b>Approved By</b>		<b>Hardness (Shore A)</b>		2.50		0.70										
					<b>Date of Approval</b>		70		4.00		0.80										
	<table border="1" style="width: 100%; border-collapse: collapse;"> <tr> <td><b>Revision</b></td> <td><b>Date of Issue</b></td> <td><b>Sheet Scale</b></td> <td><b>Sheet Size</b></td> <td><b>Sheet</b></td> </tr> <tr> <td style="text-align: center;">A</td> <td style="text-align: center;">18/01/2022</td> <td style="text-align: center;">1:1</td> <td style="text-align: center;">A3</td> <td style="text-align: center;">1/1</td> </tr> </table>				<b>Revision</b>	<b>Date of Issue</b>	<b>Sheet Scale</b>	<b>Sheet Size</b>	<b>Sheet</b>	A	18/01/2022	1:1	A3	1/1	<b>Projection</b>		<b>Colour</b>		6.30		1.00
					<b>Revision</b>	<b>Date of Issue</b>	<b>Sheet Scale</b>	<b>Sheet Size</b>	<b>Sheet</b>												
	A	18/01/2022	1:1	A3	1/1																
	3rd Agl. 		Black		10.00		16.00		1.30												
				<b>Weight (kg/m)</b>		16.00		25.00		1.60											
				1.210		25.00		40.00		2.00											
						40.00		63.00		2.50											
						63.00		100.00		3.20											
						100.00				3.20%											

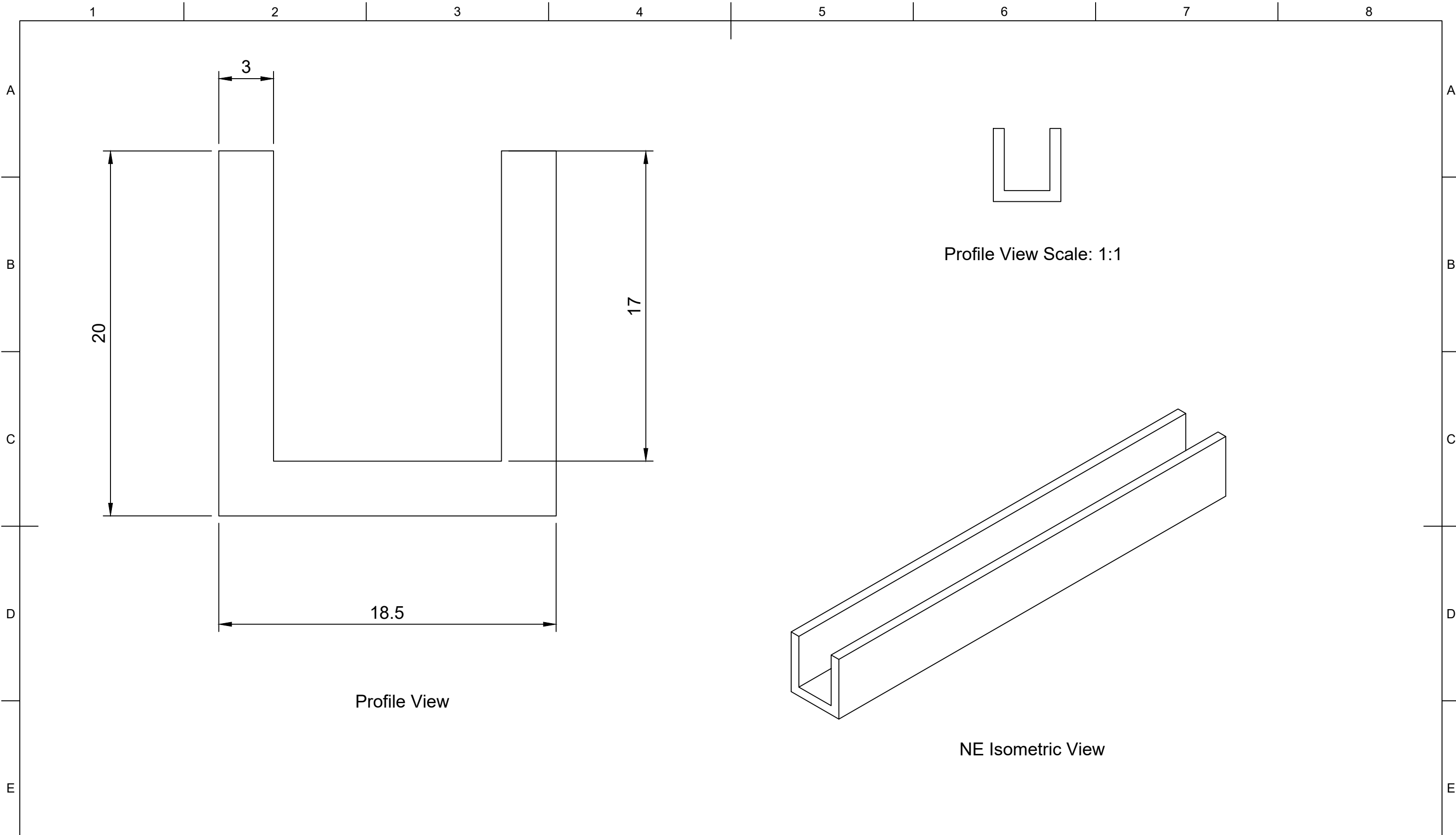


Profile View

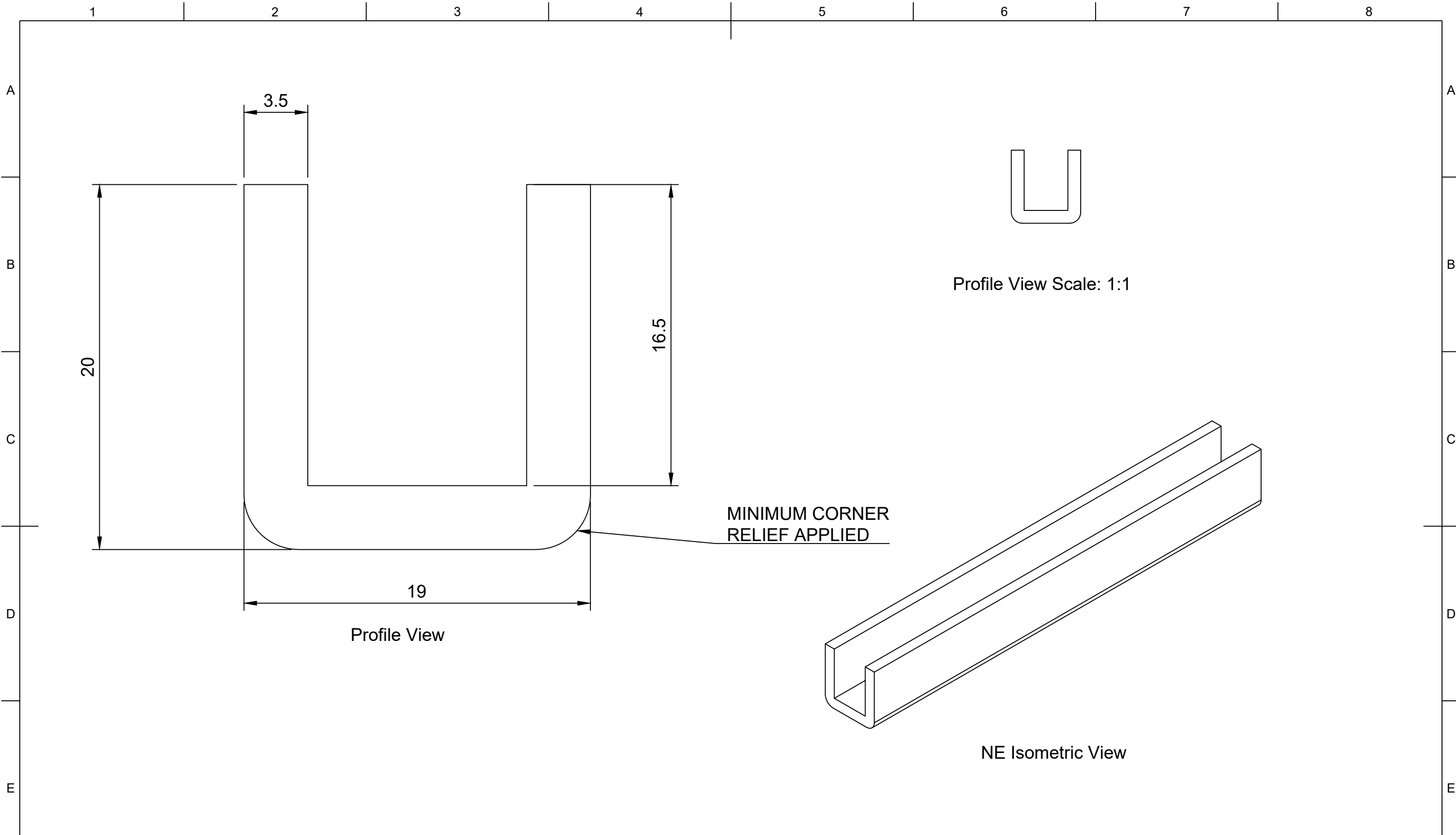
Profile View Scale 1:1


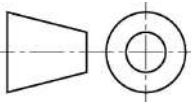


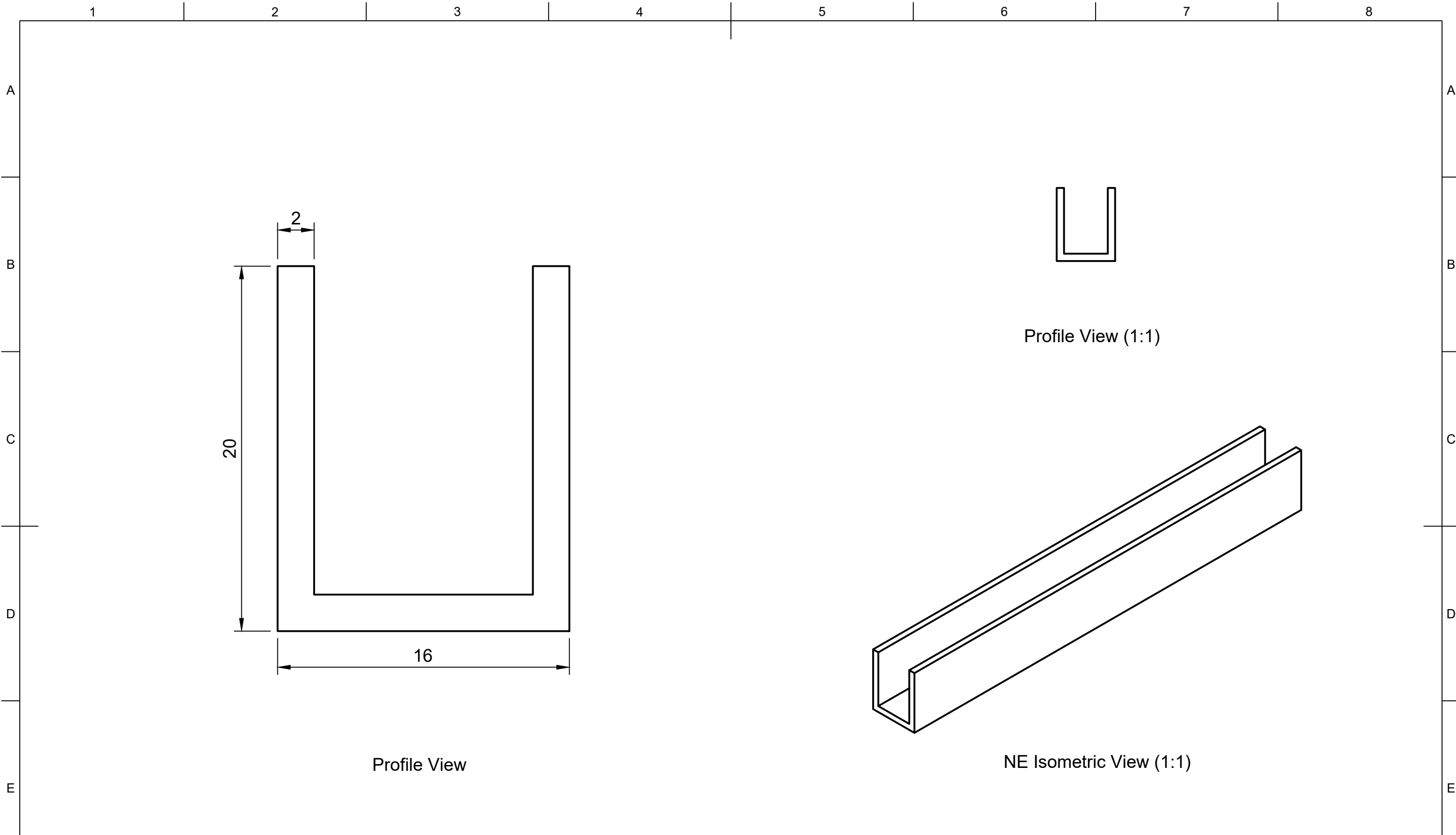
Part Number	206050				Created By	David Stirling	Cross Sectional Area (mm <sup>2</sup> )	180		Nominal Dimension (mm)		Tolerance, ± (mm)												
					Date Drawn	29/10/2020	Material	EPDM	Greater Than	Less Than or Equal to	0.00		1.50	0.40										
Description	U Channel (Square Base, Square Inner)				Approved By		Hardness (Shore A)	70		1.50	2.50	0.50												
					Date of Approval		Colour	Black	2.50	4.00	0.70	4.00	6.30	0.80										
Revision	Date of Issue	Sheet Scale	Sheet Size	Sheet	Projection	3rd Agl.	Weight (g/m)	227		6.30	10.00	1.00												
A	18/01/2022	4:1	A3	1/1			10.00	16.00	1.30	16.00	25.00	1.60												
<table border="1"> <tr> <td>25.00</td> <td>40.00</td> <td>2.00</td> </tr> <tr> <td>40.00</td> <td>63.00</td> <td>2.50</td> </tr> <tr> <td>63.00</td> <td>100.00</td> <td>3.20</td> </tr> <tr> <td>100.00</td> <td></td> <td>3.20%</td> </tr> </table>													25.00	40.00	2.00	40.00	63.00	2.50	63.00	100.00	3.20	100.00		3.20%
25.00	40.00	2.00																						
40.00	63.00	2.50																						
63.00	100.00	3.20																						
100.00		3.20%																						



<b>WALKERRUBBER</b> LTD	<b>Part Number</b>				<b>Created By</b>		<b>Cross Sectional Area (mm<sup>2</sup>)</b>		<b>Nominal Dimension (mm)</b>		<b>Tolerance, ± (mm)</b>		
	206261				David Stirling		158		<b>Greater Than</b>	<b>Less Than or Equal to</b>			
	<b>Description</b>				<b>Date Drawn</b>		<b>Material</b>		0.00	1.50	0.40		
					25/04/2020		EPDM		1.50	2.50	0.50		
	U Channel (Square Base, Square Inner)				<b>Approved By</b>		<b>Hardness (Shore A)</b>		2.50	4.00	0.70		
					<b>Date of Approval</b>		70		4.00	6.30	0.80		
	<b>Projection</b>		Black				6.30	10.00	1.00				
					3rd Agl.		Weight (g/m)		10.00	16.00	1.30		
	A		19/01/2022						5:1		A3		1/1
					1		1/1						
1		1/1		918					40.00	63.00	2.50		
						1		1/1		918		63.00	100.00
1		1/1		918								100.00	

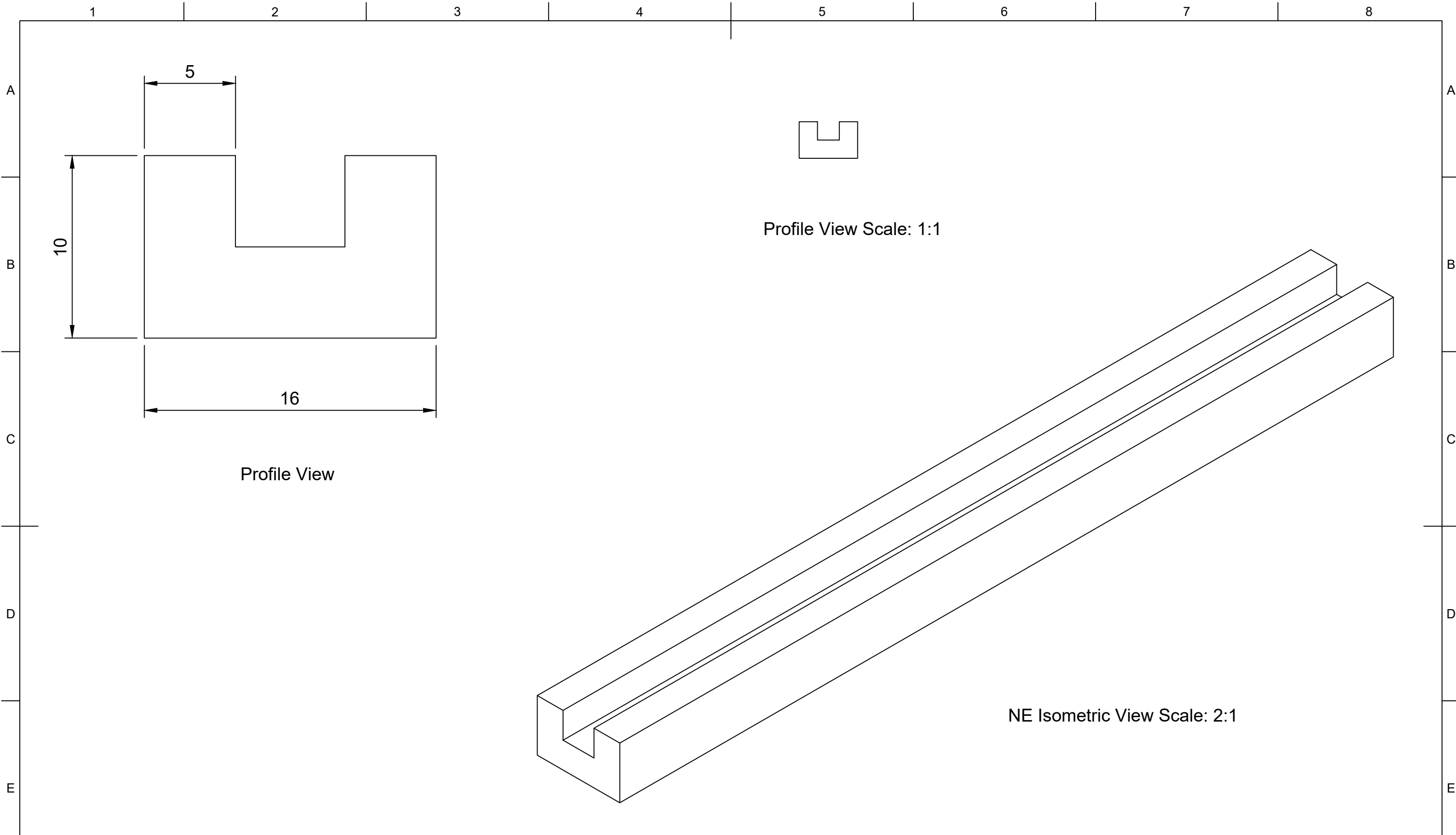


	<b>Part Number</b>				<b>Created By</b>		<b>Cross Sectional Area (mm<sup>2</sup>)</b>		<b>Nominal Dimension (mm)</b>		<b>Tolerance, ± (mm)</b>	
	206395				David Stirling		178		<b>Greater Than</b>	<b>Less Than or Equal to</b>		
	<b>Description</b>				<b>Date Drawn</b>		<b>Material</b>		0.00	1.50	0.40	
	U Channel (Square Base, Square Inner)				25/04/2020		EPDM		1.50	2.50	0.50	
	<b>Revision</b>				<b>Approved By</b>		<b>Hardness (Shore A)</b>		2.50	4.00	0.70	
	A	Date of Issue		Sheet Scale		Date of Approval		70		4.00	6.30	0.80
		19/01/2022		5:1				Black		6.30	10.00	1.00
				Sheet Size		<b>Projection</b>		Weight (g/m)		10.00	16.00	1.30
				A3		3rd Agl. 		225		16.00	25.00	1.60
				Sheet						25.00	40.00	2.00
			1/1						40.00	63.00	2.50	
									63.00	100.00	3.20	
									100.00		3.20%	

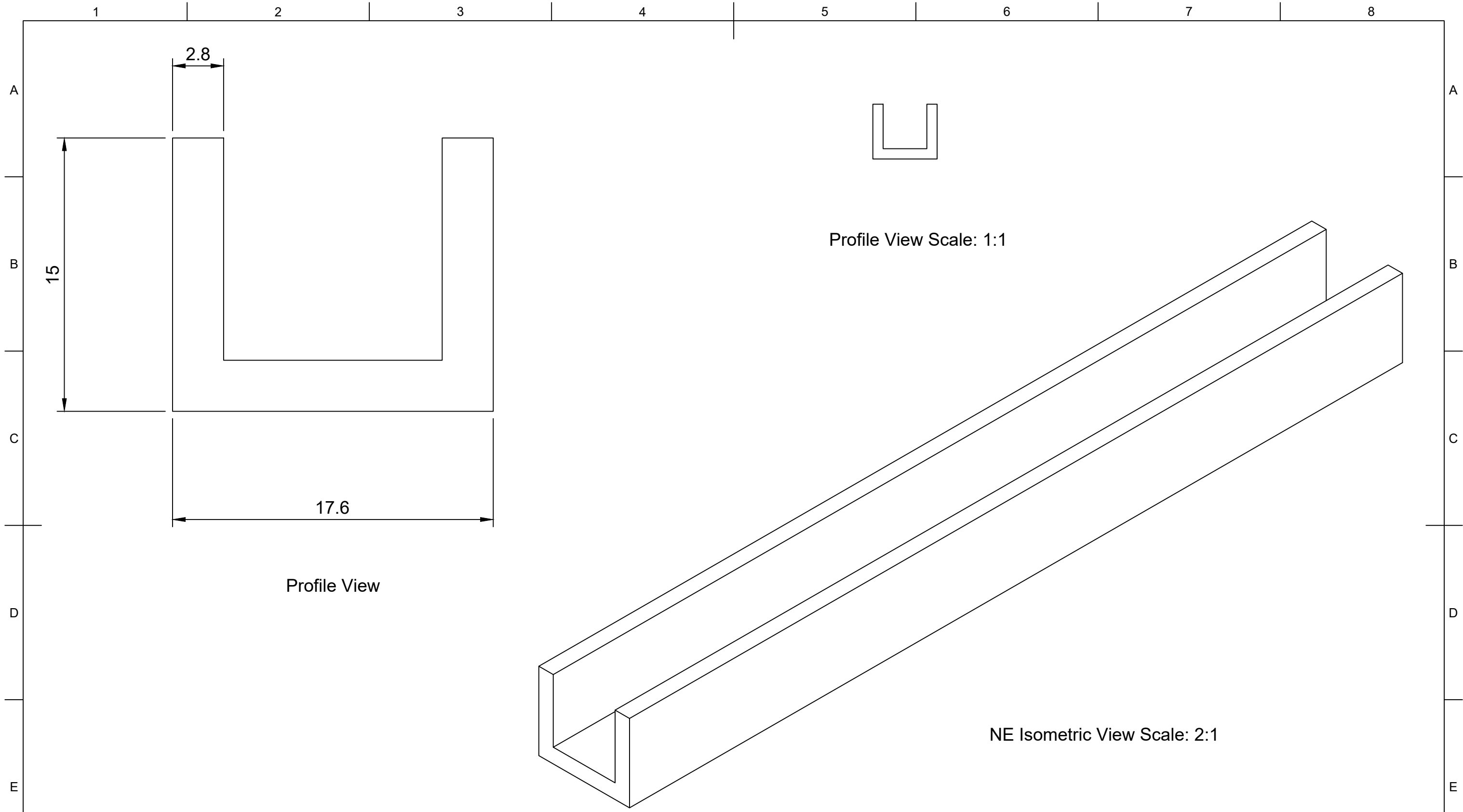


	<b>Part Number</b>				<b>Created By</b>		<b>Cross Sectional Area (mm<sup>2</sup>)</b>		<b>Nominal Dimension (mm)</b>		<b>Tolerance, ± (mm)</b>						
	206566				David Stirling		104		<b>Greater Than</b>	<b>Less Than or Equal to</b>							
	<b>Description</b>				<b>Date Drawn</b>		<b>Material</b>		0.00	1.50	0.40						
	U Channel (Square Base, Square Inner)				18/01/2022		Neoprene		1.50	2.50	0.50						
	<b>Revision</b>				<b>Approved By</b>		<b>Hardness (Shore A)</b>		2.50	4.00	0.70						
	A	Date of Issue		Sheet Scale		Sheet Size		Sheet		Date of Approval		Colour					
		18/01/2022		5:1		A3		1/1		3rd Agl.		Black					
												Weight (g/m)					
										157		25.00		40.00		2.00	
												40.00		63.00		2.50	
											63.00		100.00		3.20		
											100.00				3.20%		





Part Number <b>207013</b>					Created By David Stirling		Cross Sectional Area (mm <sup>2</sup> ) 130		Nominal Dimension (mm)		Tolerance, ± (mm)
					Date Drawn 18/04/2020		Material EPDM		Greater Than	Less Than or Equal to	
Description <b>U Channel (Square Base, Square Inner)</b>					Approved By		Hardness (Shore A) 70		0.00	1.50	0.40
					Date of Approval		Colour Black		1.50	2.50	0.50
Revision A	Date of Issue 18/01/2022	Sheet Scale 5:1	Sheet Size A3	Sheet 1/1	Projection 3rd Agl.	Weight (g/m) 164		2.50	4.00	0.70	
								4.00	6.30	0.80	
								6.30	10.00	1.00	
								10.00	16.00	1.30	
						16.00	25.00	1.60			
						25.00	40.00	2.00			
						40.00	63.00	2.50			
						63.00	100.00	3.20			
						100.00		3.20%			



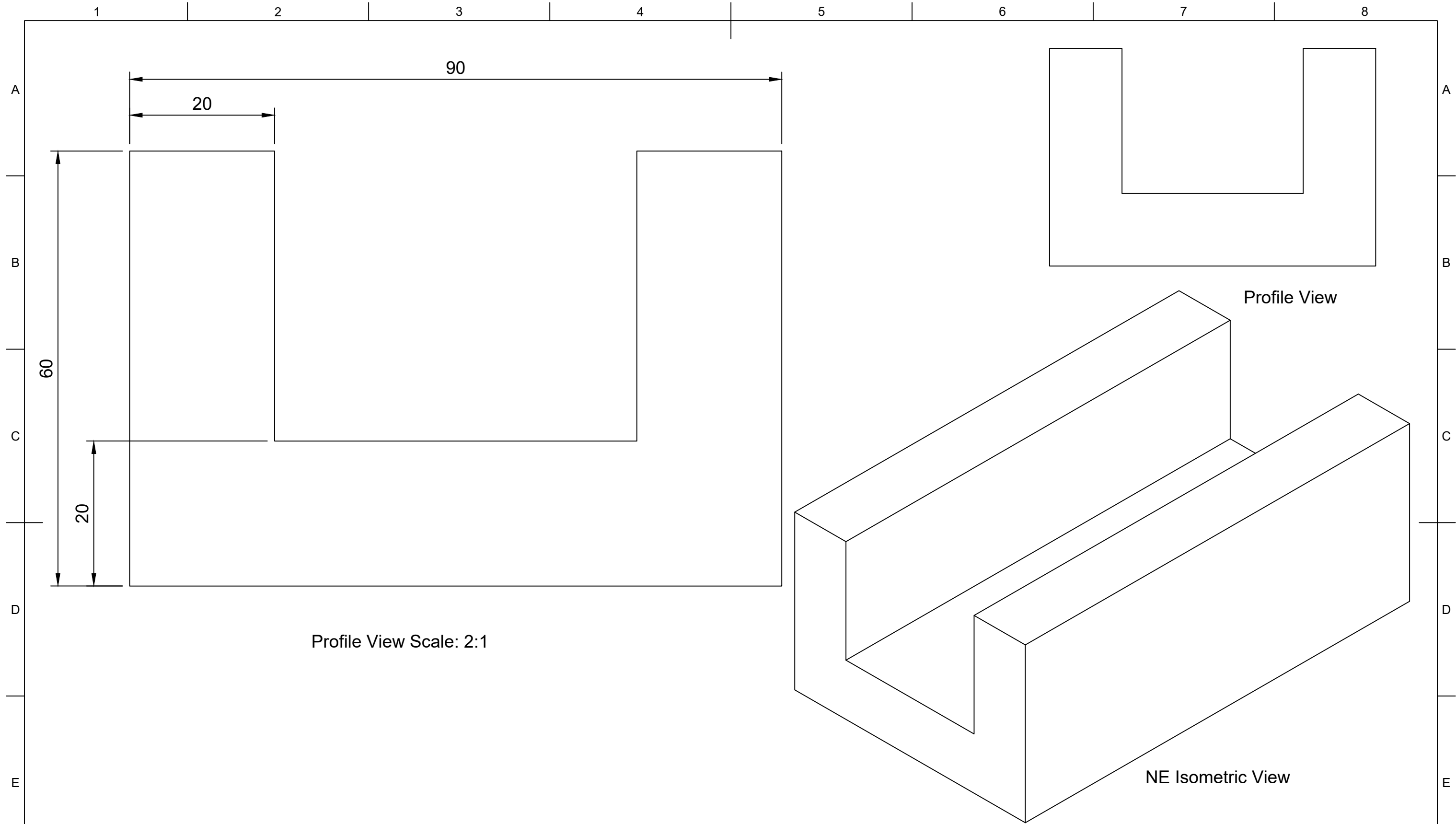
Profile View Scale: 1:1

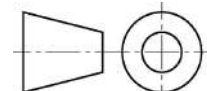
Profile View

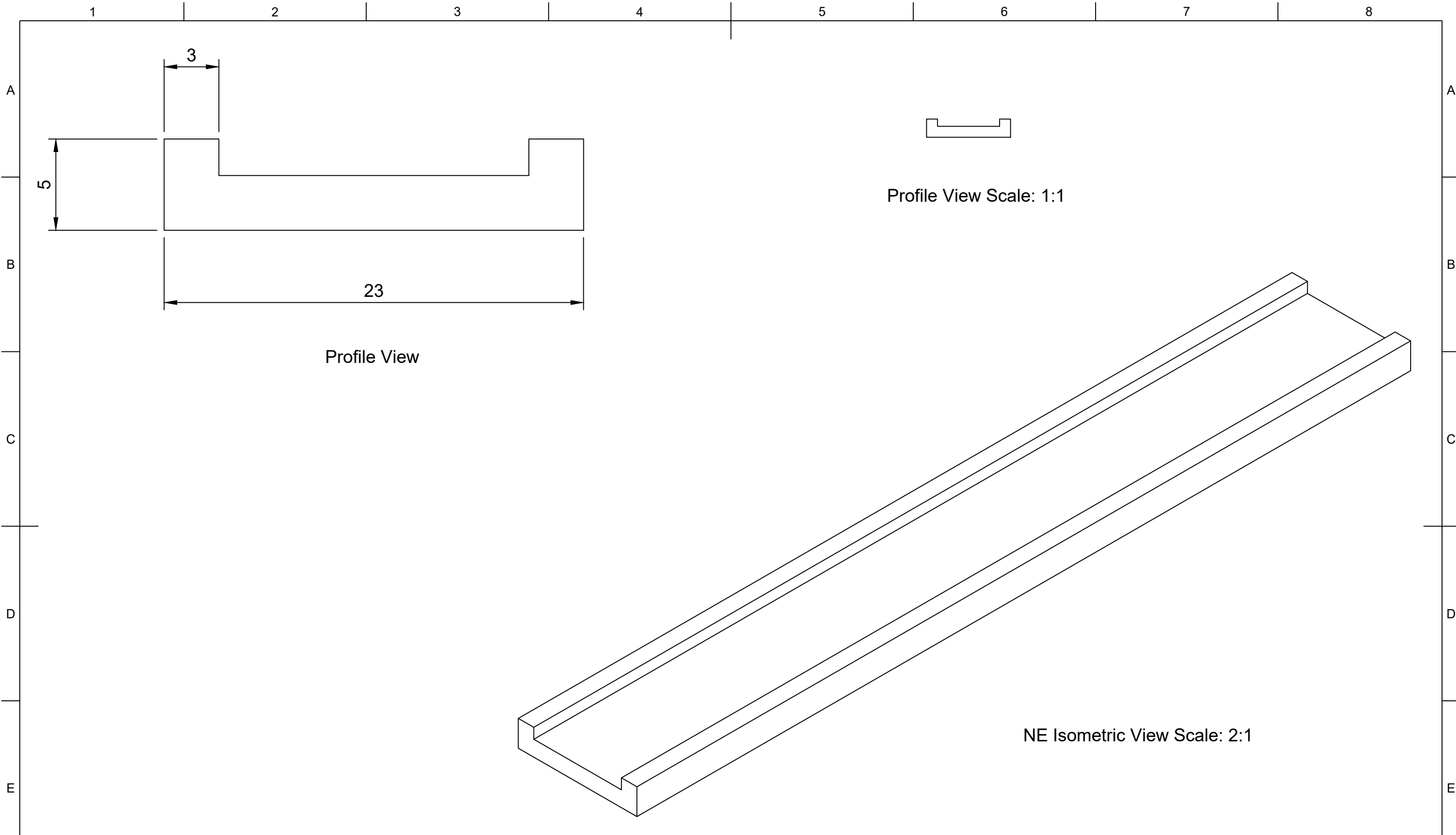
NE Isometric View Scale: 2:1



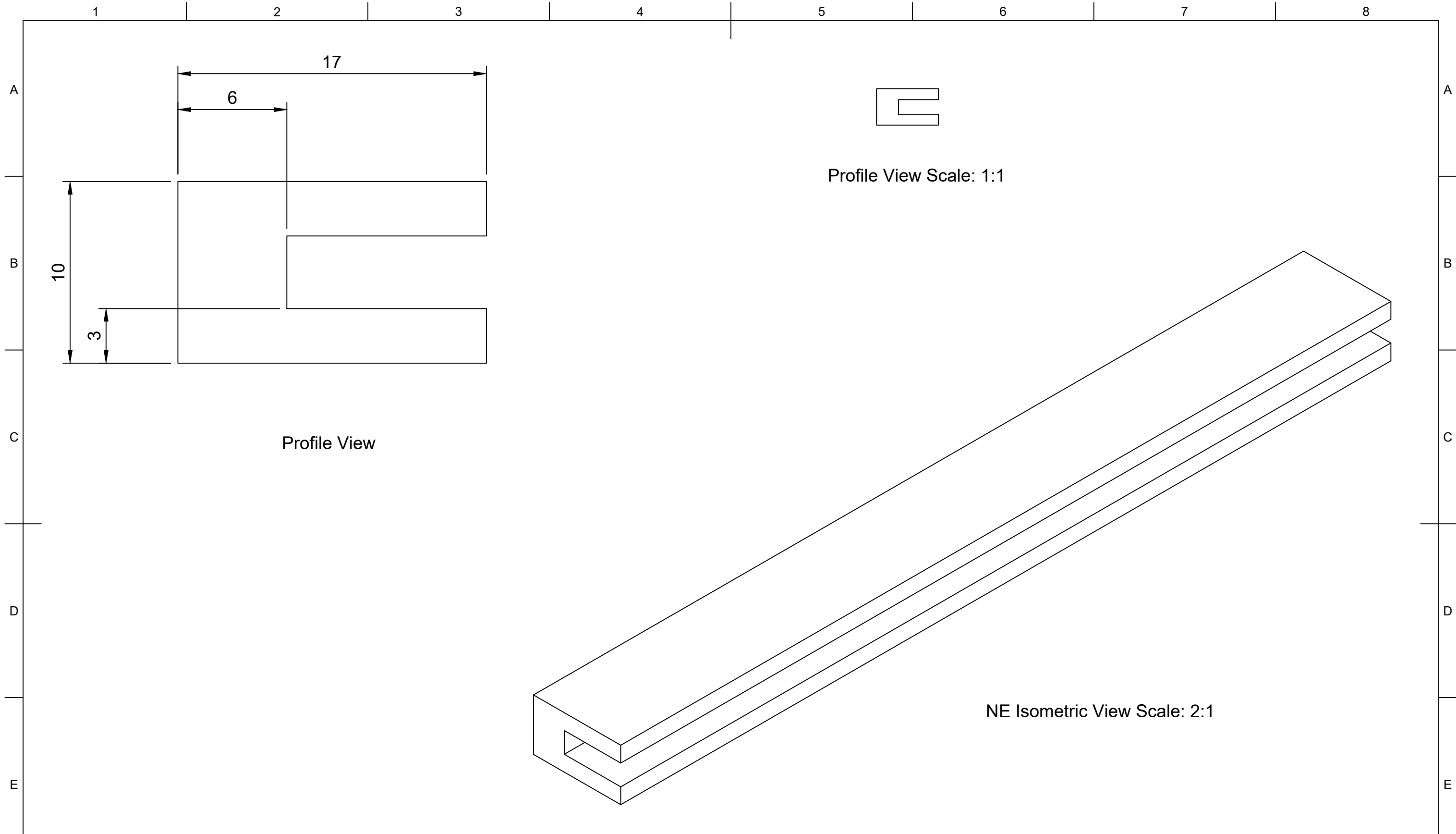
Part Number <b>207038</b>					Created By David Stirling		Cross Sectional Area (mm <sup>2</sup> ) 118		Nominal Dimension (mm)		Tolerance, ± (mm)
					Date Drawn 18/04/2020		Material EPDM		Greater Than	Less Than or Equal to	
Description <b>U Channel (Square Base, Square Inner)</b>					Approved By		Hardness (Shore A) 70		0.00	1.50	0.40
					Date of Approval		Colour Black		1.50	2.50	0.50
Revision A	Date of Issue 18/01/2022	Sheet Scale 5:1	Sheet Size A3	Sheet 1/1	Projection 3rd Agl.		Weight (g/m) 148		2.50	4.00	0.70
									4.00	6.30	0.80
									6.30	10.00	1.00
									10.00	16.00	1.30
									16.00	25.00	1.60
								25.00	40.00	2.00	
								40.00	63.00	2.50	
								63.00	100.00	3.20	
								100.00		3.20%	


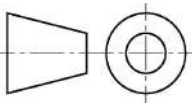


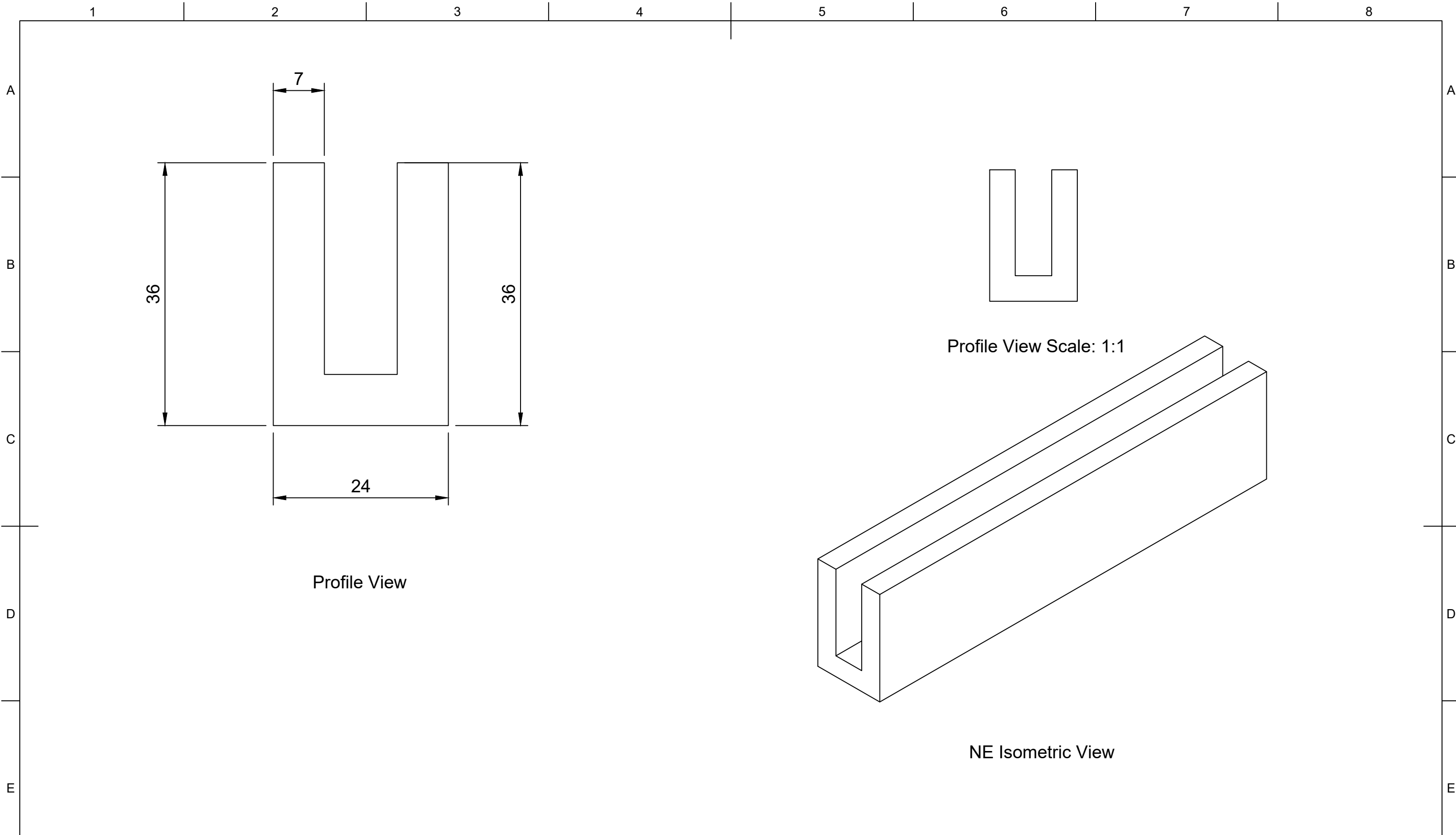
Part Number <b>207047</b>		Created By David Stirling		Cross Sectional Area (mm <sup>2</sup> ) 3400		Nominal Dimension (mm)		Tolerance, ± (mm)
		Date Drawn 28/04/2020		Material EPDM		Greater Than	Less Than or Equal to	
Description <b>U Channel (Square Base, Square Inner)</b>		Approved By		Hardness (Shore A) 70		0.00	1.50	0.40
		Date of Approval		Colour Black		1.50	2.50	0.50
Revision A	Date of Issue 19/01/2022	Sheet Scale 1:1	Sheet Size A3	Sheet 1/1	Projection 3rd Agl. 	Weight (g/m)		2.50
						25.00	40.00	2.00
						40.00	63.00	2.50
						63.00	100.00	3.20
						100.00		3.20%



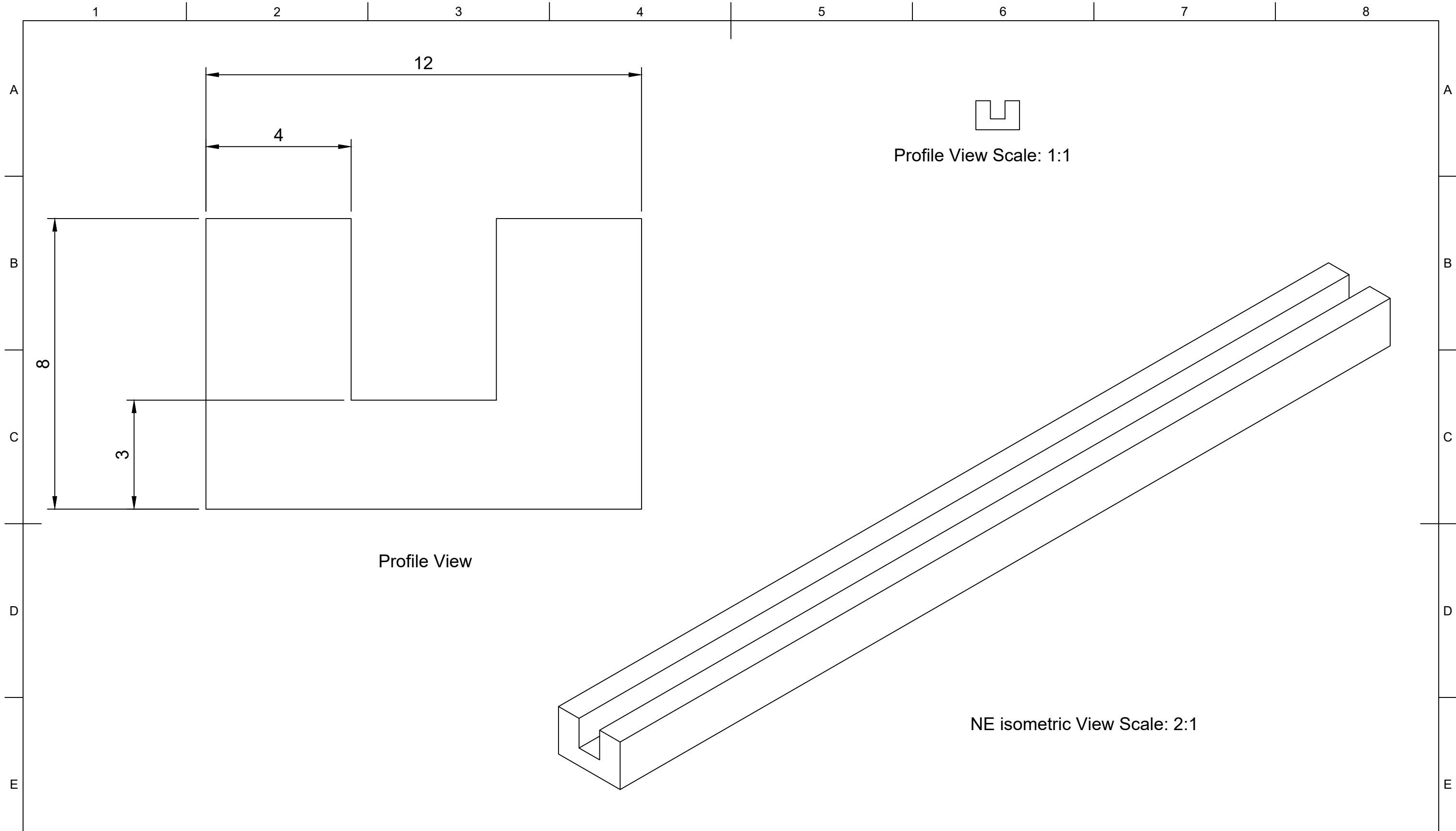
<b>Part Number</b> 207070					<b>Created By</b> David Stirling		<b>Cross Sectional Area (mm<sup>2</sup>)</b> 81		<b>Nominal Dimension (mm)</b>		<b>Tolerance, ± (mm)</b>
					<b>Date Drawn</b> 14/04/2020		<b>Material</b> EPDM		<b>Greater Than</b>	<b>Less Than or Equal to</b>	
<b>Description</b> U Channel - Square Base, Square Centre					<b>Approved By</b>		<b>Hardness (Shore A)</b> 70		0.00	1.50	0.40
					<b>Date of Approval</b>		<b>Colour</b> Black		1.50	2.50	0.50
					<b>Revision</b> A	<b>Date of Issue</b> 13/01/2022	<b>Sheet Scale</b> 5:1	<b>Sheet Size</b> A3	<b>Sheet</b> 1/1	<b>Projection</b> 3rd Agl.	<b>Weight (g/m)</b> 102
								6.30	10.00	1.00	
								10.00	16.00	1.30	
								16.00	25.00	1.60	
								25.00	40.00	2.00	
								40.00	63.00	2.50	
								63.00	100.00	3.20	
								100.00		3.20%	



	<b>Part Number</b>				<b>Created By</b>		<b>Cross Sectional Area (mm<sup>2</sup>)</b>		<b>Nominal Dimension (mm)</b>		<b>Tolerance, ± (mm)</b>	
	207164				David Stirling		126		<b>Greater Than</b>	<b>Less Than or Equal to</b>		
	<b>Description</b>				<b>Date Drawn</b>		<b>Material</b>		0.00		0.40	
					24/04/2020		Nitrile		1.50		0.50	
	U Channel (Square Base, Square Inner)				<b>Approved By</b>		<b>Hardness (Shore A)</b>		2.50		0.70	
					Date of Approval		70		4.00		0.80	
	Revision				<b>Projection</b>		<b>Colour</b>		6.30		1.00	
					3rd Agl. 		Black		10.00		1.30	
	A		<b>Date of Issue</b>		<b>Sheet Scale</b>		<b>Sheet Size</b>		<b>Sheet</b>		<b>Weight (g/m)</b>	
	19/01/2022		5:1		A3		1/1		16.00		2.00	
								25.00		40.00		
								40.00		63.00		
								63.00		100.00		
								100.00		3.20%		



Part Number <b>207173</b>					Created By David Stirling		Cross Sectional Area (mm <sup>2</sup> ) 574		Nominal Dimension (mm)		Tolerance, ± (mm)
					Date Drawn 16/04/2020		Material EPDM		Greater Than	Less Than or Equal to	
Description <b>U Channel - Square Base, Square Centre</b>					Approved By		Hardness (Shore A) 70		0.00	1.50	0.40
					Date of Approval		Colour Black		1.50	2.50	0.50
Revision A	Date of Issue 18/01/2022	Sheet Scale 2:1	Sheet Size A3	Sheet 1/1	Projection 3rd Agl.	Weight (g/m) 750		2.50	4.00	0.70	
								4.00	6.30	0.80	
								6.30	10.00	1.00	
								10.00	16.00	1.30	
								16.00	25.00	1.60	
							25.00	40.00	2.00		
							40.00	63.00	2.50		
							63.00	100.00	3.20		
							100.00		3.20%		



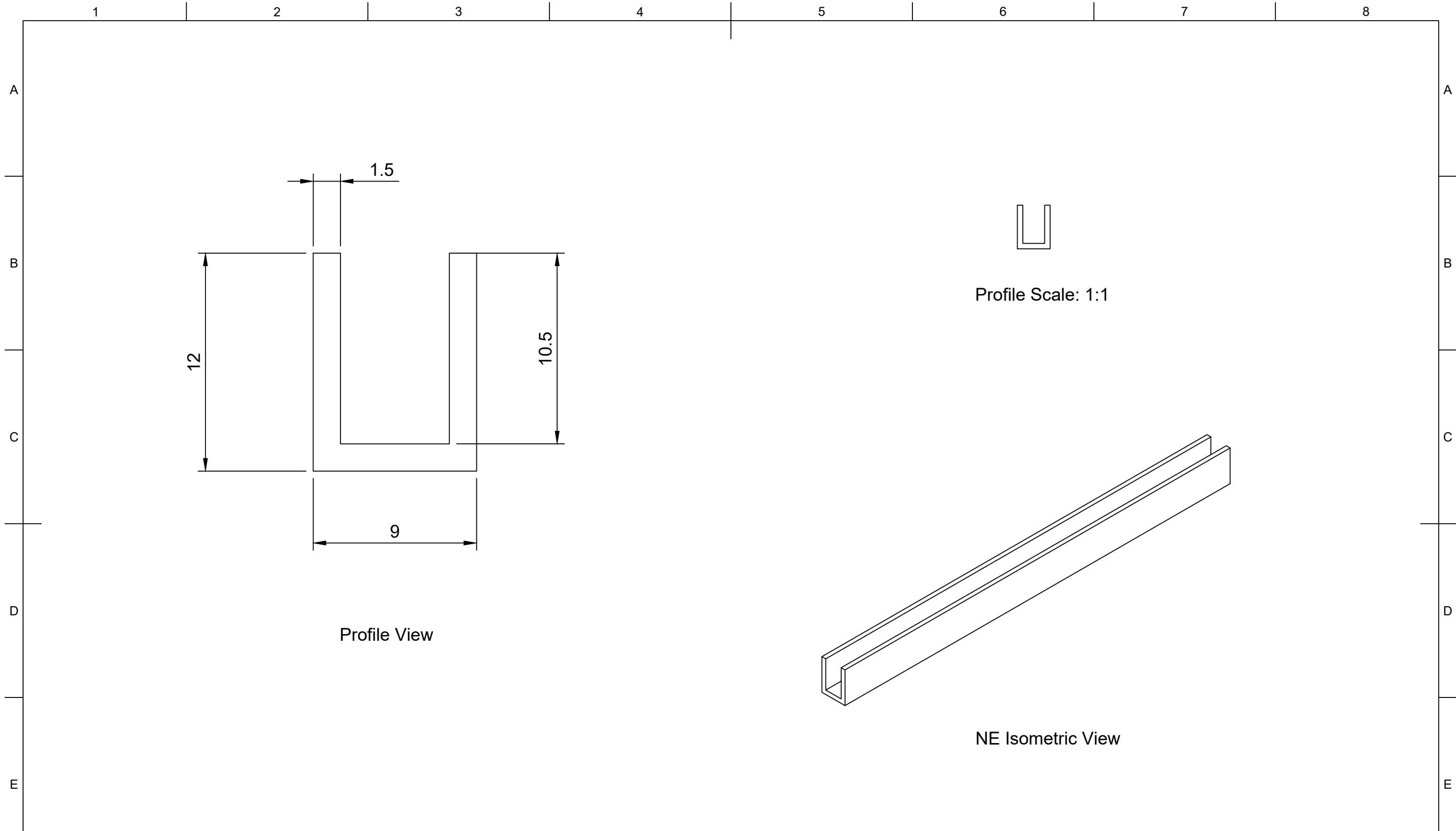
Profile View


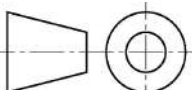
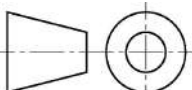
Profile View Scale: 1:1

NE isometric View Scale: 2:1

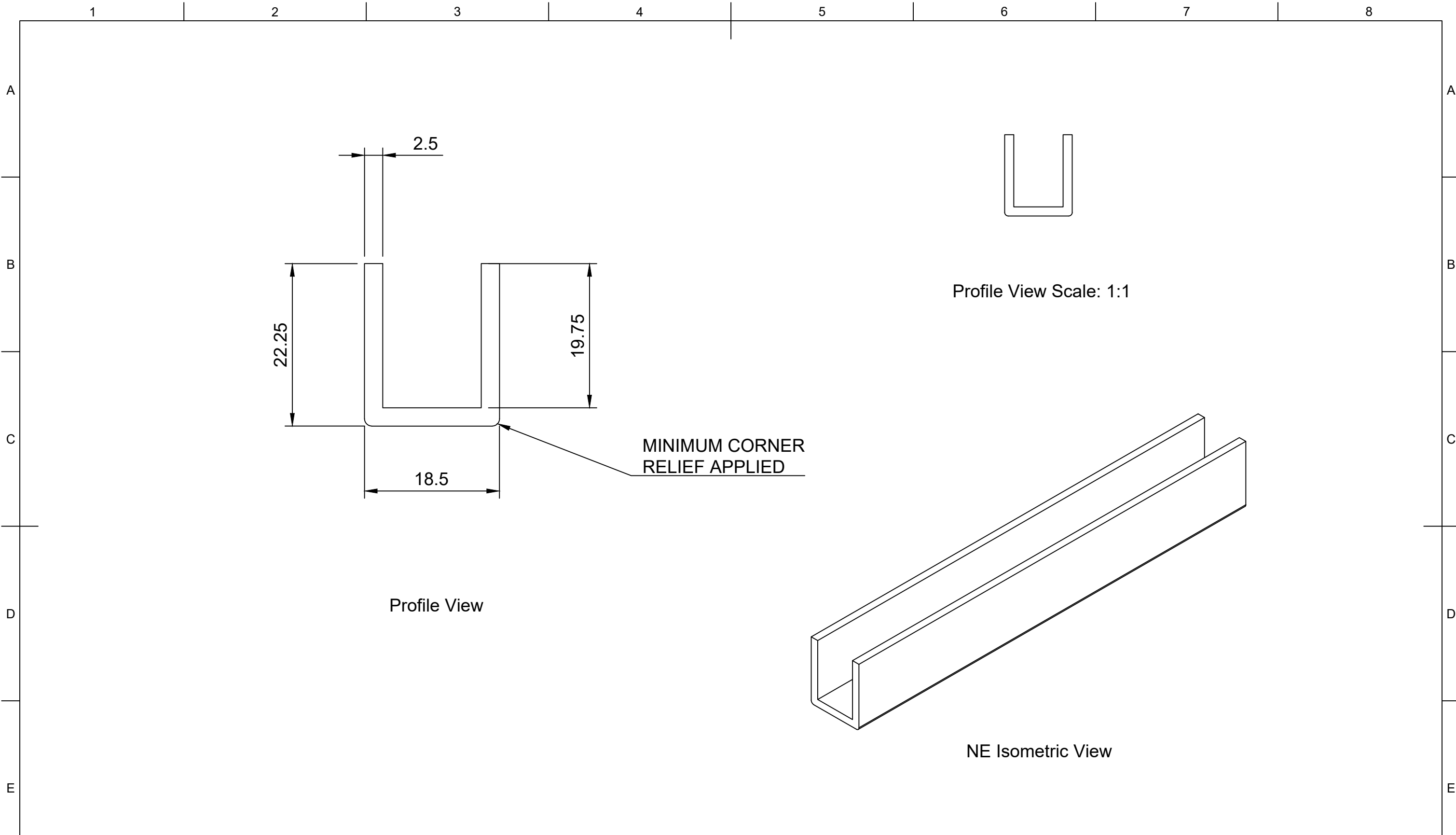


Part Number		207309			Created By	David Stirling	Cross Sectional Area (mm <sup>2</sup> )	76		Nominal Dimension (mm)		Tolerance, ± (mm)
					Date Drawn	23/04/2020	Material	EPDM	Greater Than	Less Than or Equal to	0.00	
Description		U Channel (Square Base, Square Inner)			Approved By		Hardness (Shore A)	70		2.50	4.00	0.70
					Date of Approval		Colour	Black	4.00	6.30	0.80	6.30
Revision	Date of Issue	Sheet Scale	Sheet Size	Sheet	Projection	3rd Agl.	Weight (g/m)	96		10.00	16.00	1.30
A	18/01/2022	10:1	A3	1/1			25.00	40.00	2.00	16.00	25.00	1.60
										40.00	63.00	2.50
										63.00	100.00	3.20
										100.00		3.20%

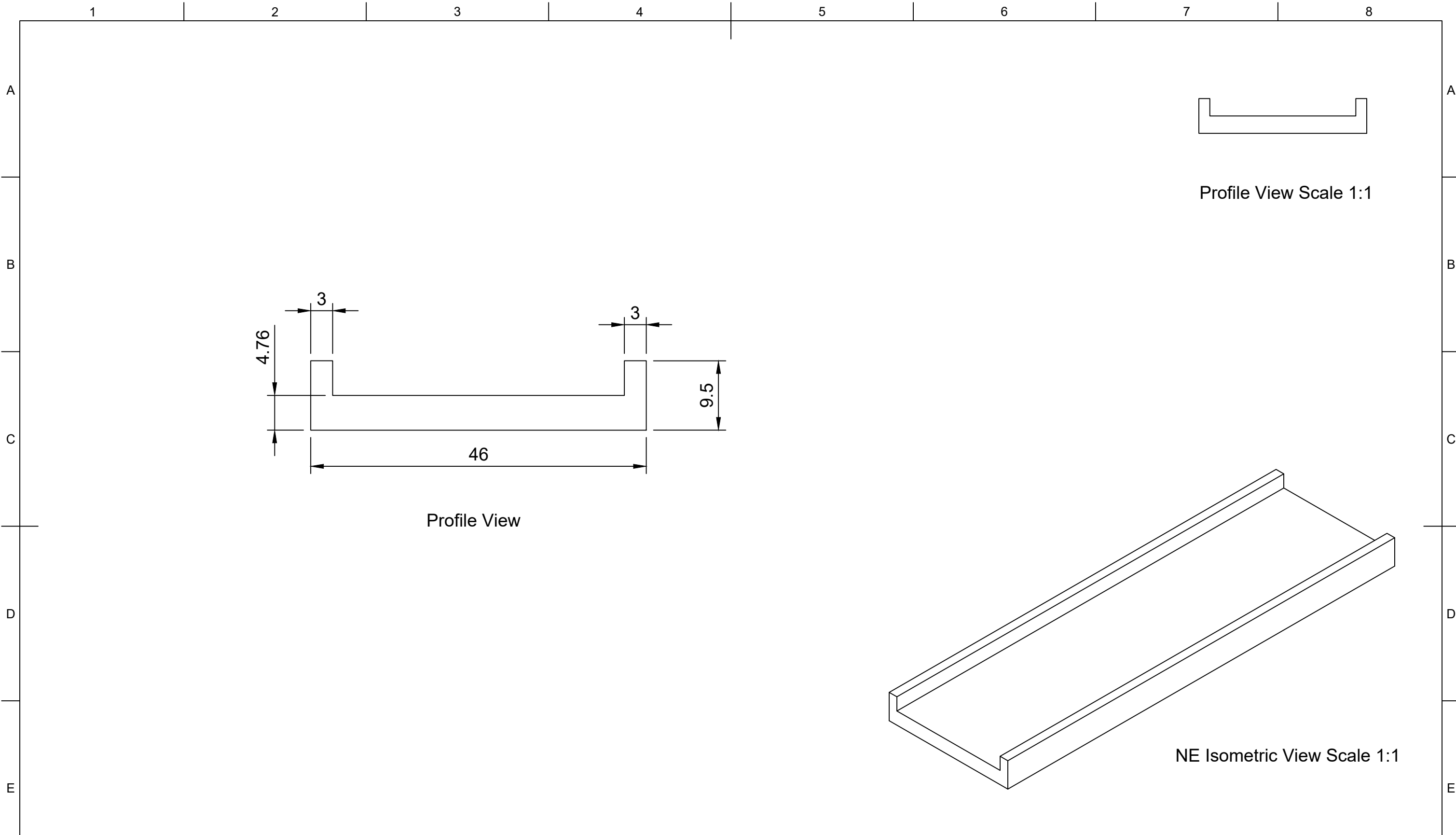


	<b>Part Number</b>				<b>Created By</b>		<b>Cross Sectional Area (mm<sup>2</sup>)</b>		<b>Nominal Dimension (mm)</b>		<b>Tolerance, ± (mm)</b>								
	207407				David Stirling		45		<b>Greater Than</b>	<b>Less Than or Equal to</b>									
	<b>Description</b>				<b>Date Drawn</b>		<b>Material</b>		0.00	1.50	0.40								
					18/04/2020		EPDM		1.50	2.50	0.50								
	U Channel (Square Base, Square Inner)				<b>Approved By</b>		<b>Hardness (Shore A)</b>		2.50	4.00	0.70								
					<b>Date of Approval</b>		70		4.00	6.30	0.80								
							Black		6.30	10.00	1.00								
	<b>Revision</b> A				<b>Date of Issue</b> 18/01/2022		<b>Sheet Scale</b> 5:1		<b>Sheet Size</b> A3		<b>Sheet</b> 1/1		<b>Projection</b>		<b>Weight (g/m)</b>				
													3rd Agl. 		55		25.00	40.00	2.00
																	55		40.00
63.00													100.00	3.20					
						100.00		3.20%											



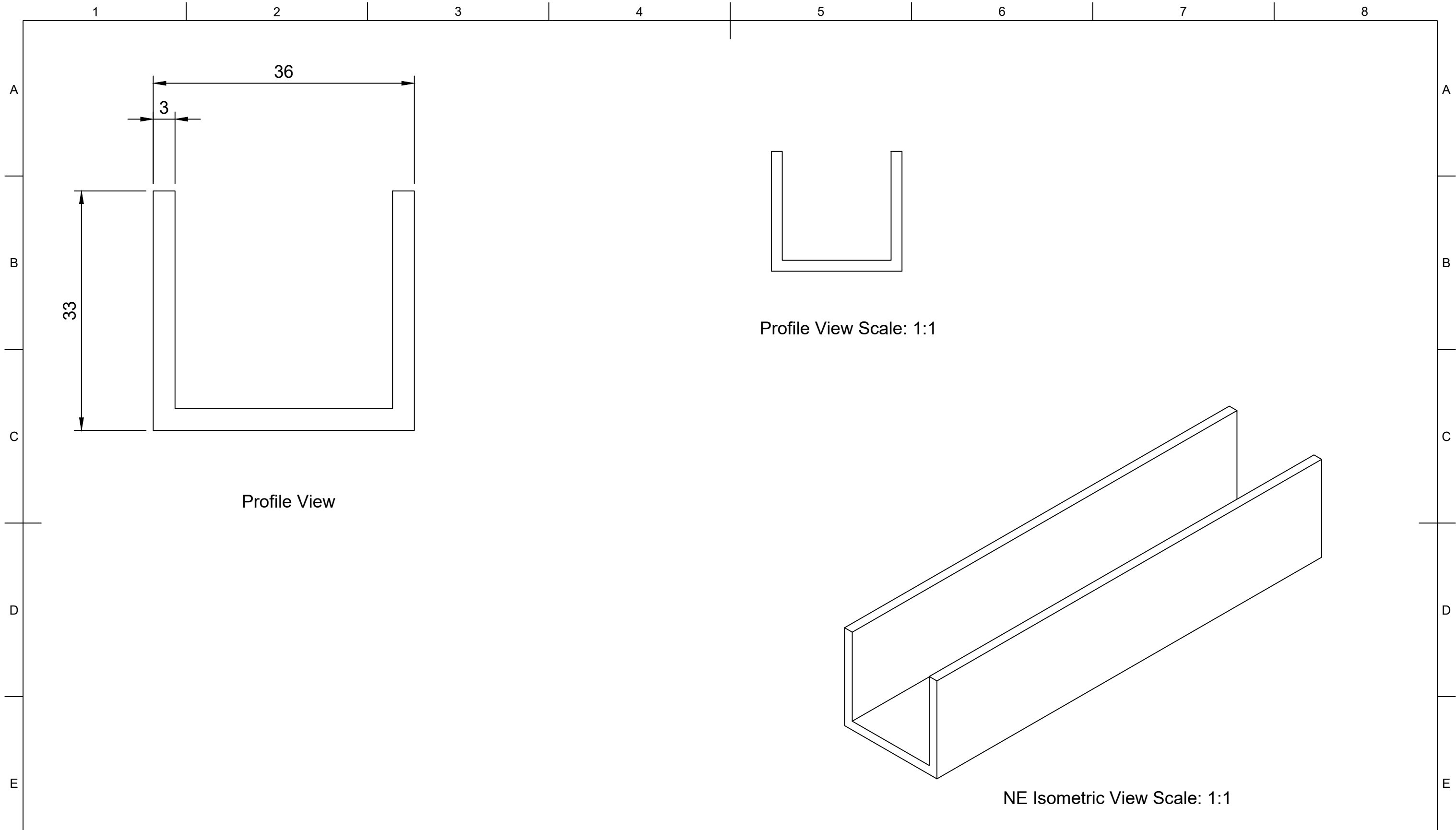



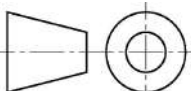
Part Number <b>207780</b>					Created By David Stirling		Cross Sectional Area (mm <sup>2</sup> ) 145		Nominal Dimension (mm)		Tolerance, ± (mm)
					Date Drawn 25/04/2020		Material EPDM		Greater Than	Less Than or Equal to	
Description <b>U Channel (Square Base, Square Inner)</b>					Approved By		Hardness (Shore A) 70		0.00	1.50	0.40
					Date of Approval		Colour Black		1.50	2.50	0.50
Revision A	Date of Issue 19/01/2022	Sheet Scale 2:1	Sheet Size A3	Sheet 1/1	Projection 3rd Agl.	Weight (g/m) 183		2.50	4.00	0.70	
								4.00	6.30	0.80	
								6.30	10.00	1.00	
								10.00	16.00	1.30	
								16.00	25.00	1.60	
							25.00	40.00	2.00		
							40.00	63.00	2.50		
							63.00	100.00	3.20		
							100.00		3.20%		

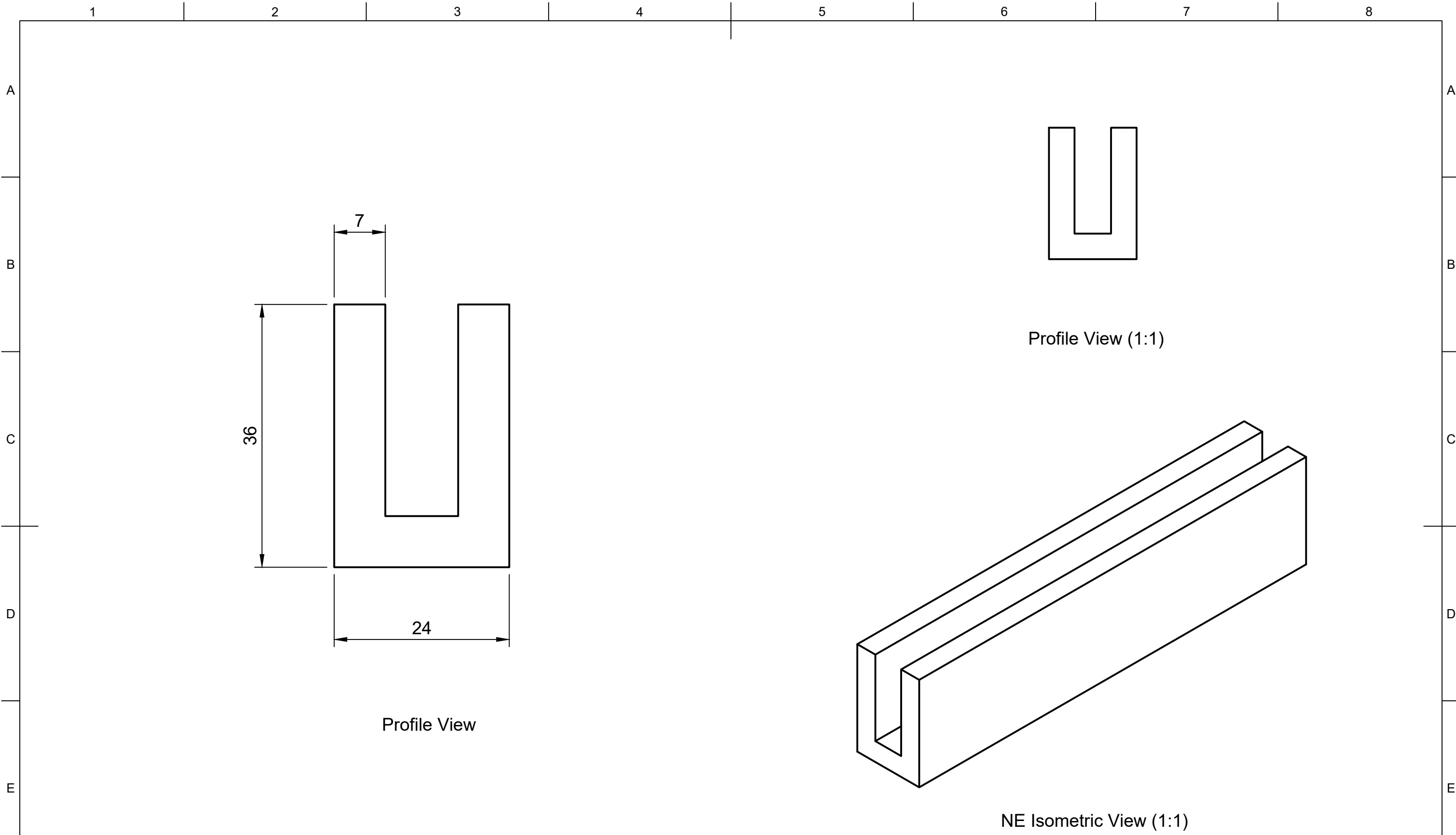



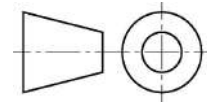
Part Number		207787			Created By	David Stirling	Cross Sectional Area (mm <sup>2</sup> )	247		Nominal Dimension (mm)		Tolerance, ± (mm)
					Date Drawn	21/12/2020	Material	EPDM	Greater Than	Less Than or Equal to	0.00	
Description		U Channel (Square Base, Square Inner)			Approved By		Hardness (Shore A)	70		2.50	4.00	0.70
					Date of Approval		Colour	Black	4.00	6.30	0.80	6.30
Revision	Date of Issue	Sheet Scale	Sheet Size	Sheet	Projection	3rd Agl.	Weight (g/m)	312		10.00	16.00	1.30
A	18/01/2022	2:1	A3	1/1			25.00	40.00	2.00	16.00	25.00	1.60
										40.00	63.00	2.50
										63.00	100.00	3.20
										100.00		3.20%

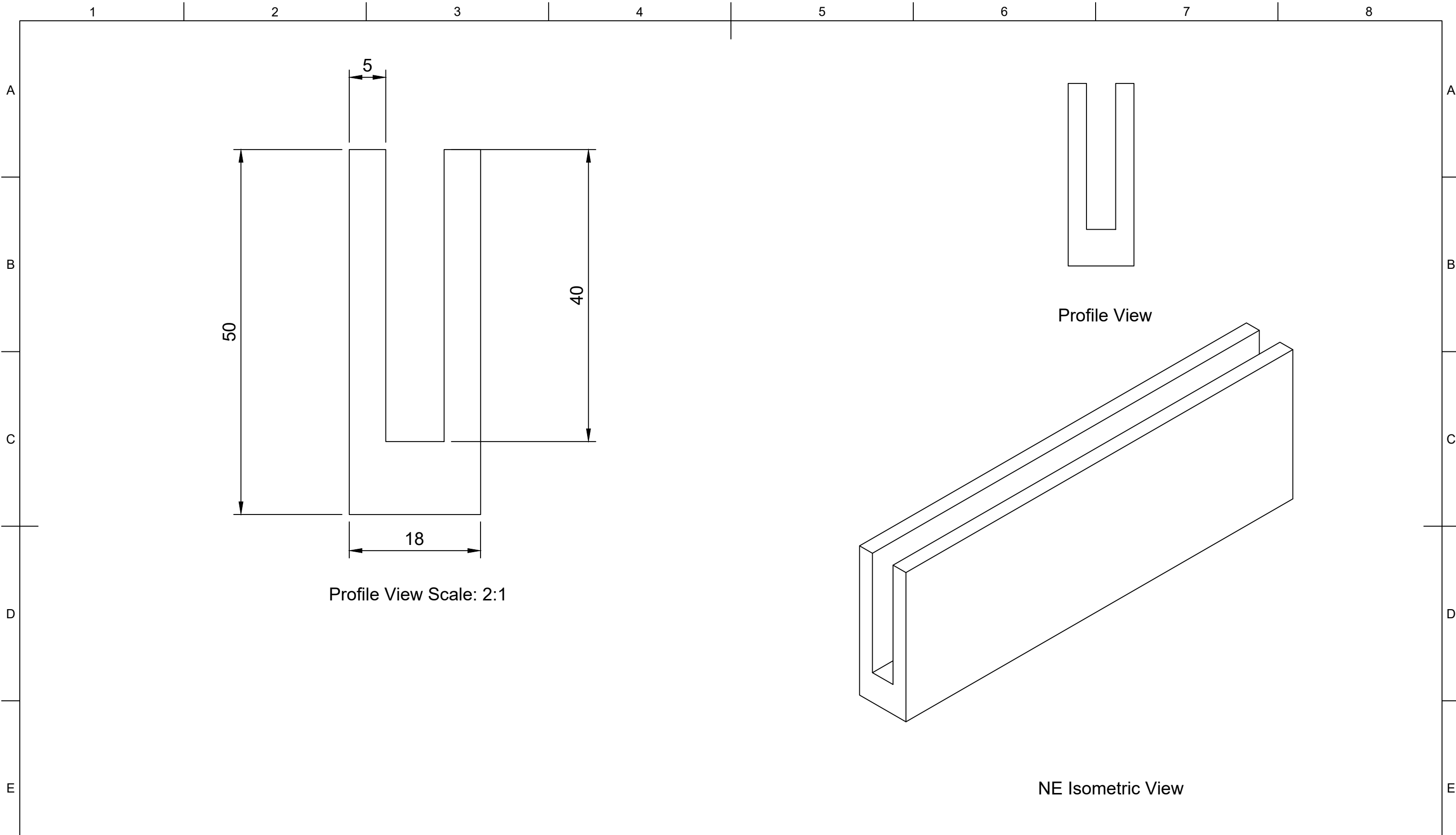




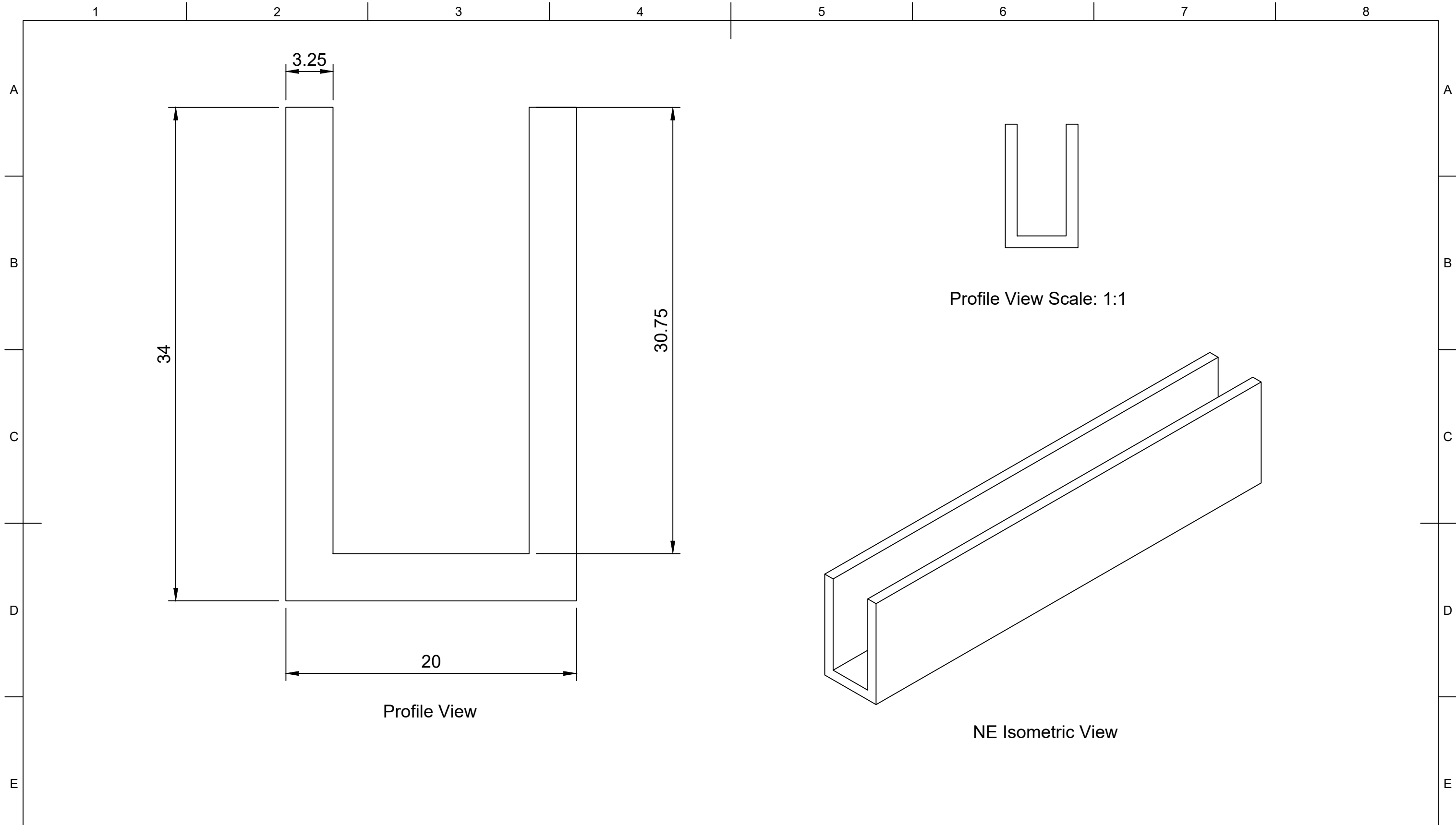
	<b>Part Number</b>				<b>Created By</b>		<b>Cross Sectional Area (mm<sup>2</sup>)</b>		<b>Nominal Dimension (mm)</b>		<b>Tolerance, ± (mm)</b>
	208162				David Stirling		288		<b>Greater Than</b>	<b>Less Than or Equal to</b>	
	<b>Description</b>				<b>Date Drawn</b>		<b>Material</b>		0.00	1.50	0.40
					20/04/2020		EPDM		1.50	2.50	0.50
	U Channel (Square Base, Square Inner)				<b>Approved By</b>		<b>Hardness (Shore A)</b>		2.50	4.00	0.70
					<b>Date of Approval</b>		70		4.00	6.30	0.80
	<b>Projection</b>		<b>Colour</b>				6.30	10.00	1.00		
			3rd Agl. 		Black		10.00	16.00	1.30		
	<b>Revision</b>	<b>Date of Issue</b>	<b>Sheet Scale</b>	<b>Sheet Size</b>	<b>Sheet</b>	<b>Weight (g/m)</b>		16.00	25.00	1.60	
	A	18/01/2022	2:1	A3	1/1			25.00	40.00	2.00	
						360		40.00	63.00	2.50	
								63.00	100.00	3.20	
								100.00		3.20%	


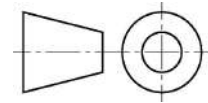


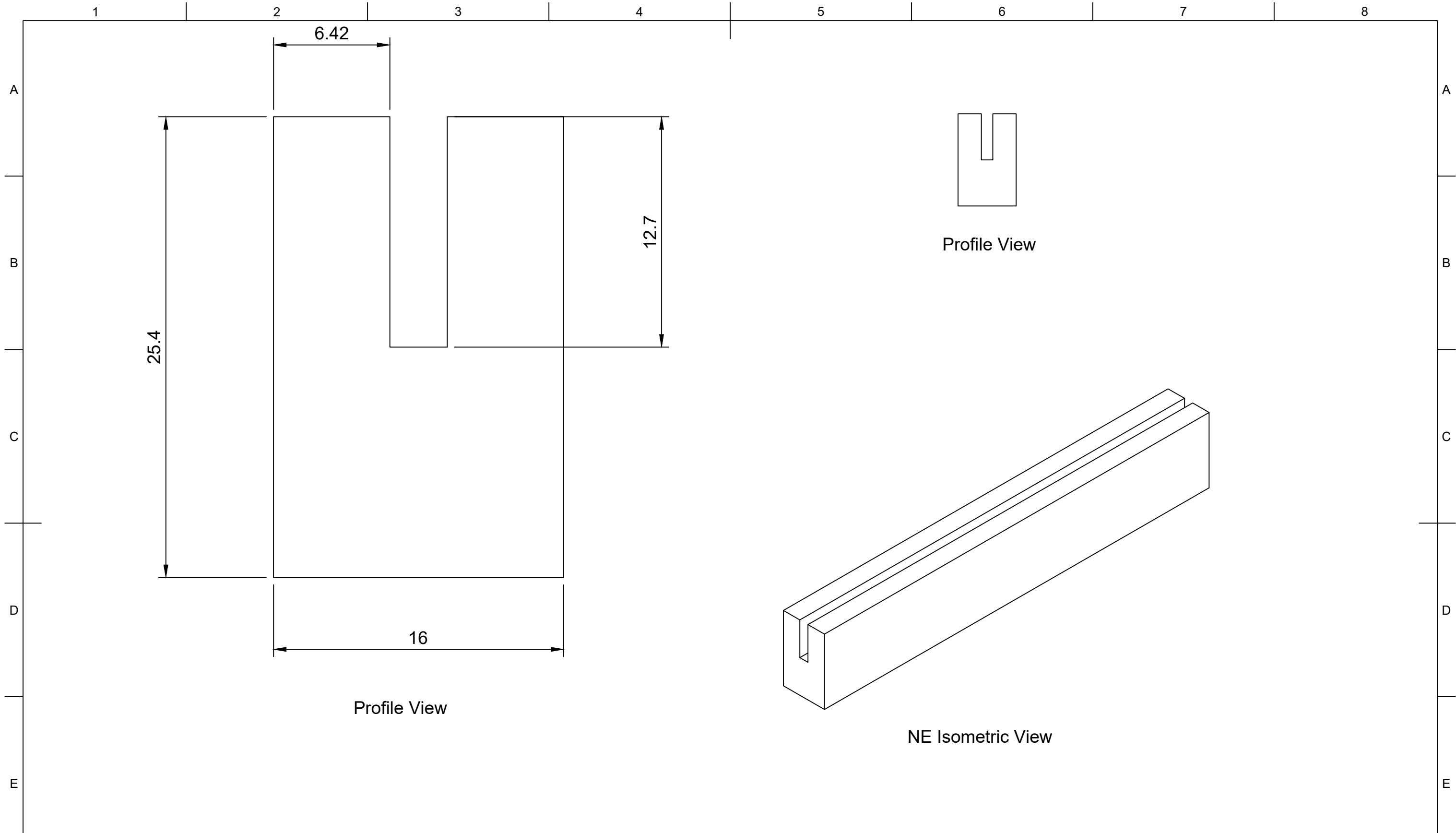
	<b>Part Number</b>				<b>Created By</b>		<b>Cross Sectional Area (mm<sup>2</sup>)</b>		<b>Nominal Dimension (mm)</b>		<b>Tolerance, ± (mm)</b>
	208207				David Stirling		574		<b>Greater Than</b>	<b>Less Than or Equal to</b>	
					Date Drawn 18/01/2022		Material Neoprene		0.00	1.50	0.40
	<b>Description</b>				<b>Approved By</b>		<b>Hardness (Shore A)</b>		1.50	2.50	0.50
U Channel - Square Base, Square Centre						70		2.50	4.00	0.70	
				<b>Date of Approval</b>		<b>Colour</b>		4.00	6.30	0.80	
						Black		6.30	10.00	1.00	
						<b>Weight (g/m)</b>		10.00	16.00	1.30	
<b>Revision</b>	<b>Date of Issue</b>	<b>Sheet Scale</b>	<b>Sheet Size</b>	<b>Sheet</b>	<b>Projection</b>			16.00	25.00	1.60	
A	18/01/2022	2:1	A3	1/1	3rd Agl.			25.00	40.00	2.00	
						852		40.00	63.00	2.50	
								63.00	100.00	3.20	
								100.00		3.20%	



Part Number <b>208208</b>					Created By David Stirling		Cross Sectional Area (mm <sup>2</sup> ) 580		Nominal Dimension (mm)		Tolerance, ± (mm)
					Date Drawn 28/04/2020		Material EPDM		Greater Than	Less Than or Equal to	
Description <b>U Channel (Square Base, Square Inner)</b>					Approved By		Hardness (Shore A) 70		0.00	1.50	0.40
					Date of Approval		Colour Black		1.50	2.50	0.50
Revision A	Date of Issue 19/01/2022	Sheet Scale 1:1	Sheet Size A3	Sheet 1/1	Projection 3rd Agl.	Weight (g/m) 731		2.50	4.00	0.70	
								4.00	6.30	0.80	
								6.30	10.00	1.00	
								10.00	16.00	1.30	
								16.00	25.00	1.60	
							25.00	40.00	2.00		
							40.00	63.00	2.50		
							63.00	100.00	3.20		
							100.00		3.20%		

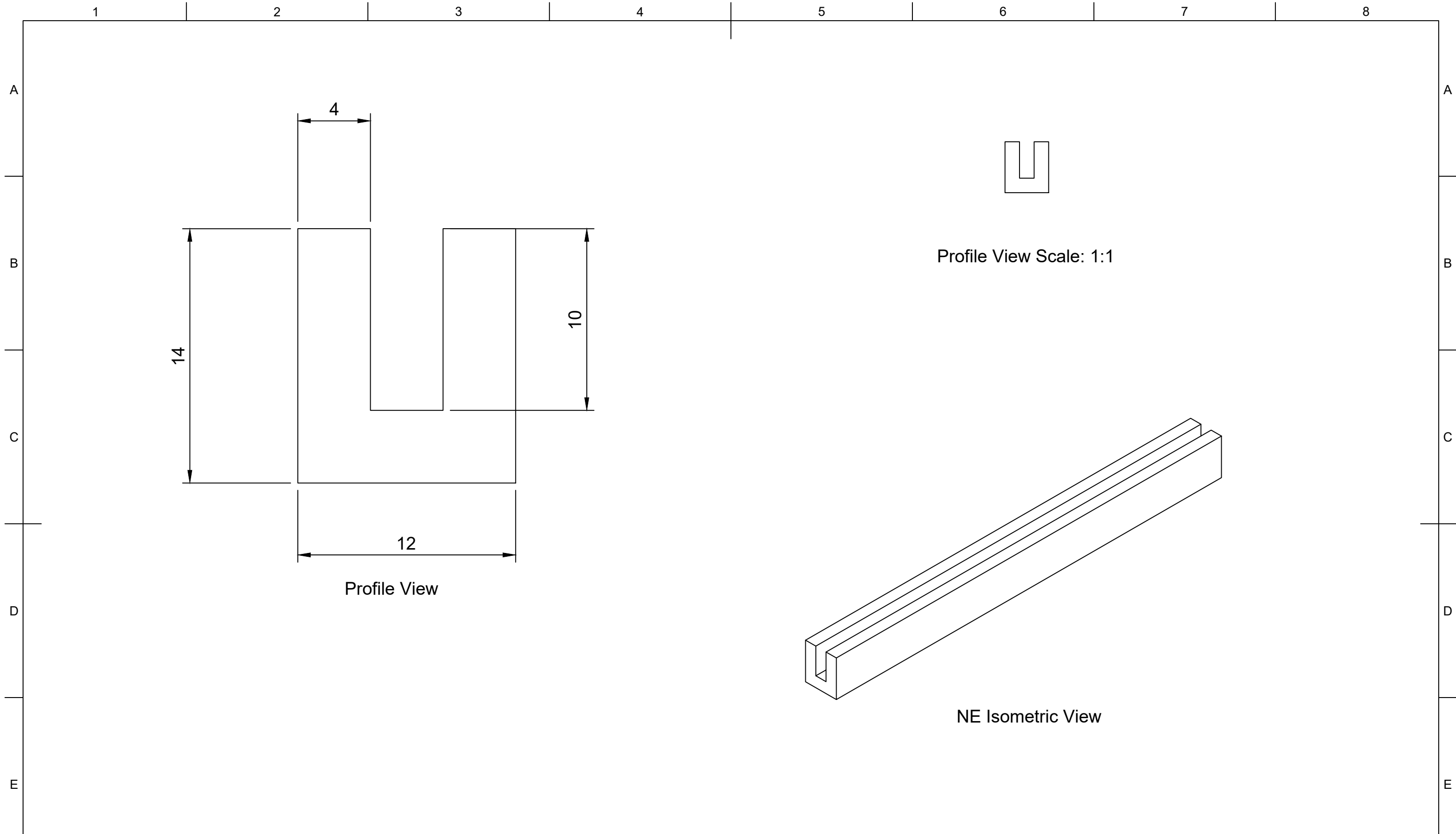



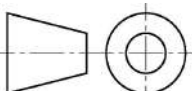
	Part Number				Created By		Cross Sectional Area (mm <sup>2</sup> )		Nominal Dimension (mm)		Tolerance, ± (mm)
	208237				David Stirling		265		Greater Than	Less Than or Equal to	
	Description				Date Drawn		Material		0.00		0.40
					14/04/2020		EPDM		1.50		0.50
	U Channel - Square Base, Square Centre				Approved By		Hardness (Shore A)		2.50		0.70
					Date of Approval		70		4.00		0.80
	Revision				Projection		Colour		6.30		1.00
					3rd Agl. 		Black		10.00		1.30
	A		Date of Issue		Sheet Scale		Weight (g/m)		16.00		1.60
	13/01/2022		4:1		334		25.00		40.00		2.00
Sheet Size		Sheet		5		40.00		63.00		2.50	
A3		1/1		6		63.00		100.00		3.20	
				7		100.00				3.20%	

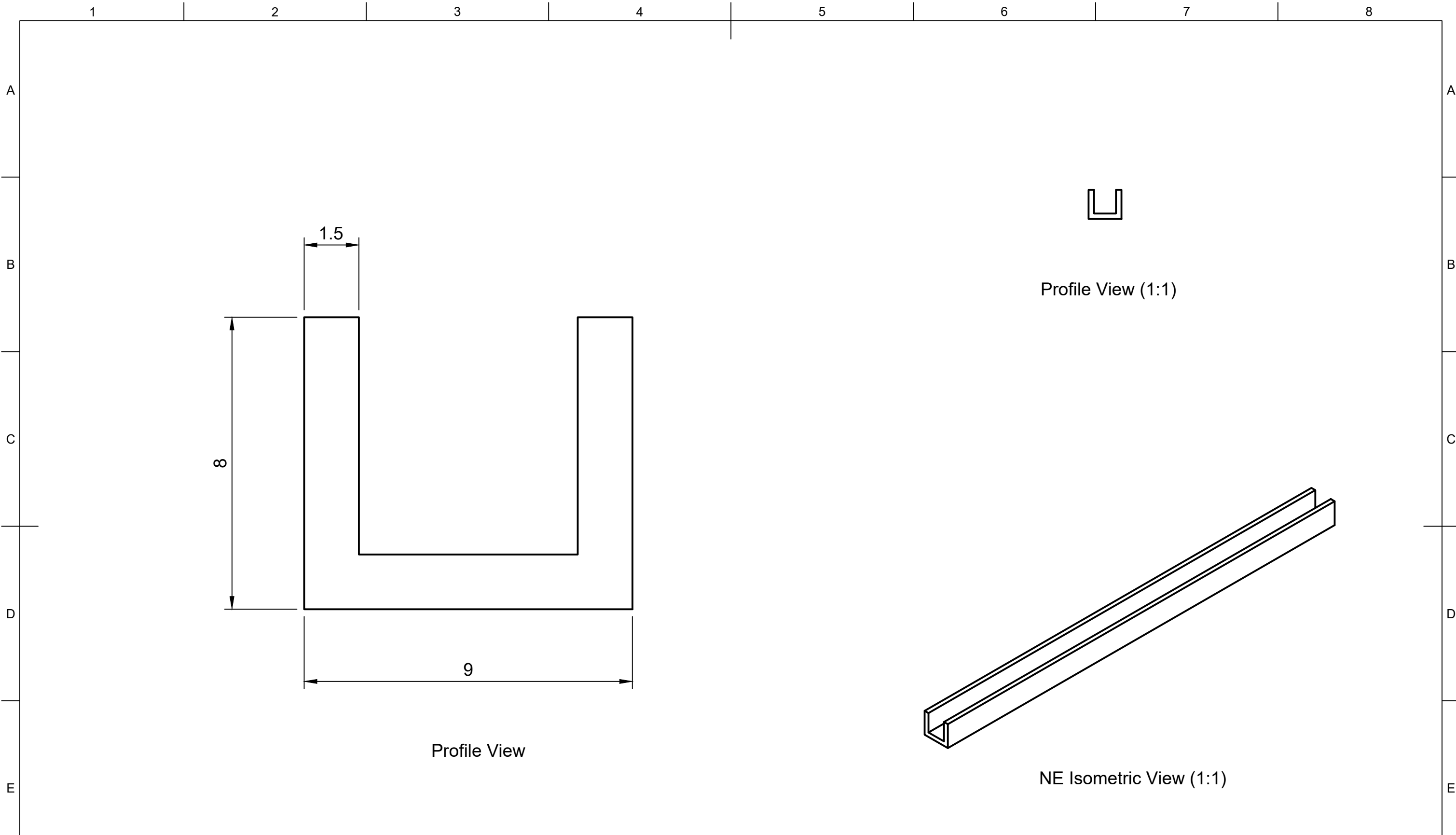


<b>WALKERRUBBER</b> LTD	<b>Part Number</b>				<b>Created By</b>		<b>Cross Sectional Area (mm<sup>2</sup>)</b>		<b>Nominal Dimension (mm)</b>		<b>Tolerance, ± (mm)</b>										
	208373				David Stirling		366		<b>Greater Than</b>	<b>Less Than or Equal to</b>											
	<b>Description</b>				<b>Date Drawn</b>		<b>Material</b>		0.00	1.50	0.40										
					20/04/2020		EPDM		1.50	2.50	0.50										
	U Channel (Square Base, Square Inner)				<b>Approved By</b>		<b>Hardness (Shore A)</b>		2.50	4.00	0.70										
					<b>Date of Approval</b>		70		4.00	6.30	0.80										
	<table border="1" style="width: 100%; border-collapse: collapse;"> <tr> <td><b>Revision</b></td> <td><b>Date of Issue</b></td> <td><b>Sheet Scale</b></td> <td><b>Sheet Size</b></td> <td><b>Sheet</b></td> </tr> <tr> <td style="text-align: center;">A</td> <td style="text-align: center;">18/01/2022</td> <td style="text-align: center;">5:1</td> <td style="text-align: center;">A3</td> <td style="text-align: center;">1/1</td> </tr> </table>				<b>Revision</b>	<b>Date of Issue</b>	<b>Sheet Scale</b>	<b>Sheet Size</b>	<b>Sheet</b>	A	18/01/2022	5:1	A3	1/1	<b>Projection</b>		<b>Colour</b>		6.30	10.00	1.00
					<b>Revision</b>	<b>Date of Issue</b>	<b>Sheet Scale</b>	<b>Sheet Size</b>	<b>Sheet</b>												
	A	18/01/2022	5:1	A3	1/1																
	3rd Agl.		Black		10.00	16.00	1.30														
				<b>Weight (g/m)</b>		460		16.00	25.00	1.60											
								25.00	40.00	2.00											
								40.00	63.00	2.50											
								63.00	100.00	3.20											
								100.00		3.20%											

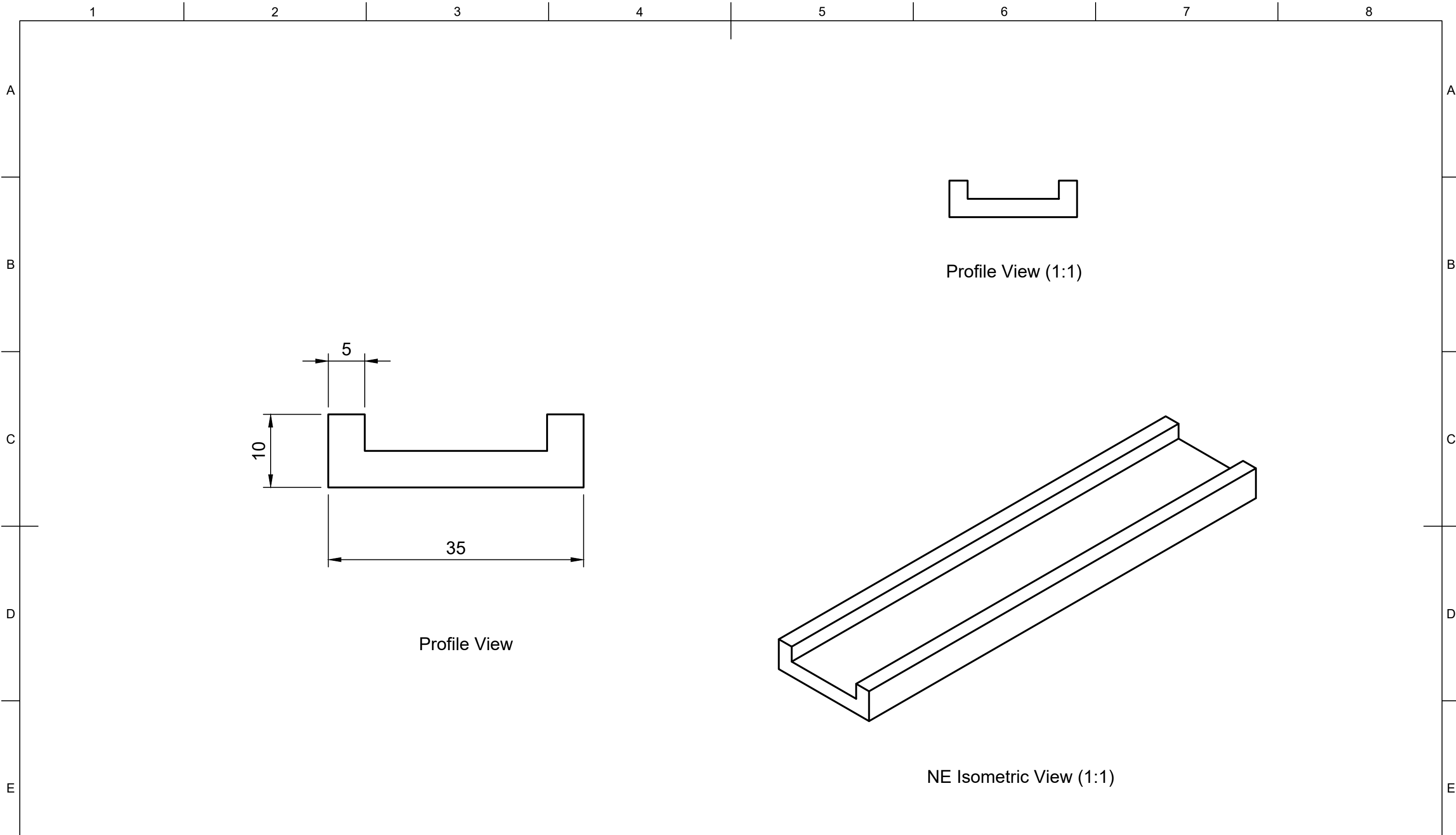



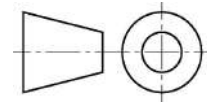


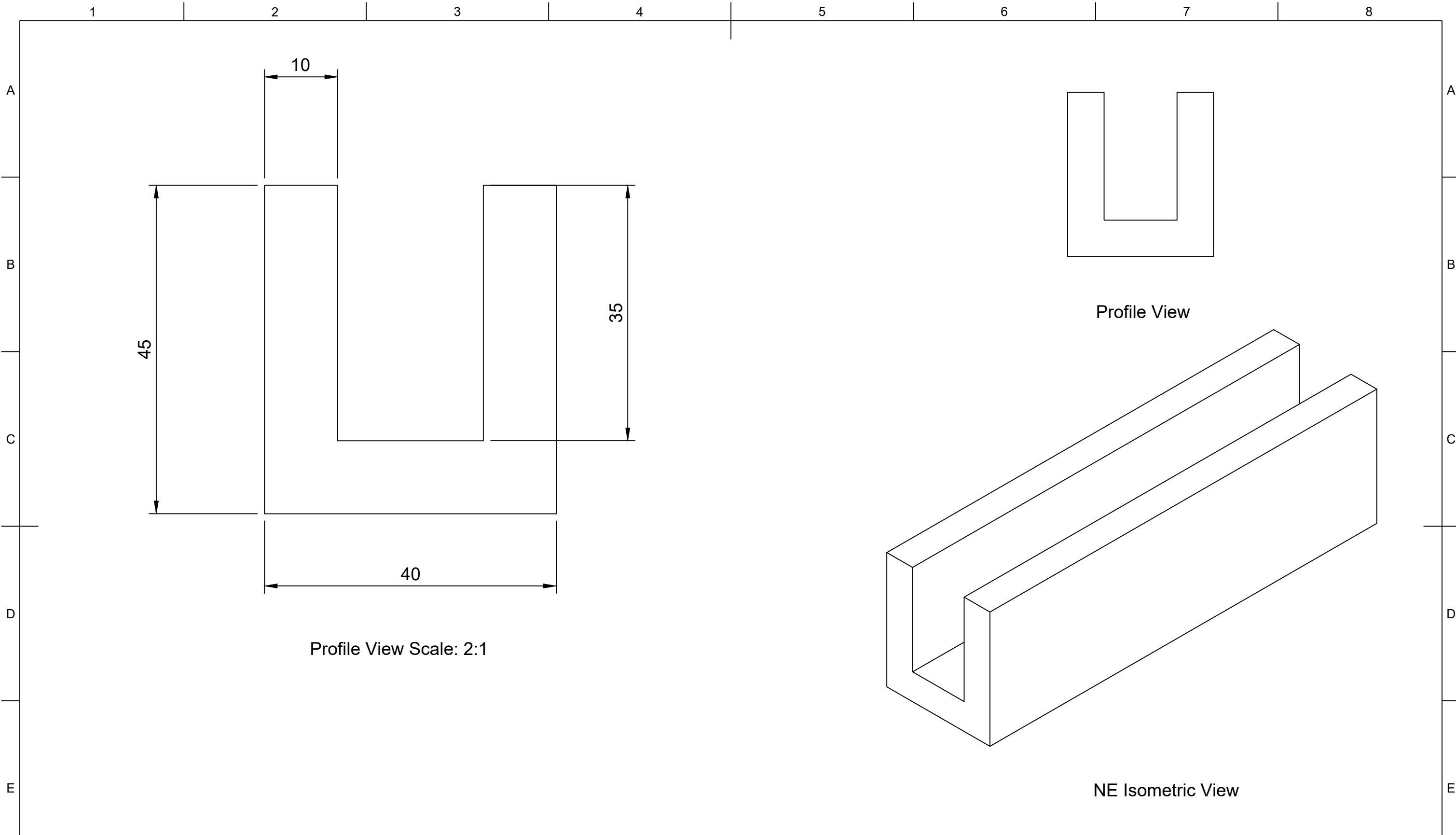
	Part Number				Created By		Cross Sectional Area (mm <sup>2</sup> )		Nominal Dimension (mm)		Tolerance, ± (mm)
	208434				David Stirling		128		Greater Than	Less Than or Equal to	
					Date Drawn		Material		0.00	1.50	0.40
	Description				24/04/2020		Nitrile		1.50	2.50	0.50
					Approved By		Hardness (Shore A)		2.50	4.00	0.70
					Date of Approval		70		4.00	6.30	0.80
					Colour		Black		6.30	10.00	1.00
	Revision				Date of Issue		Colour		10.00	16.00	1.30
					18/01/2022		Black		16.00	25.00	1.60
					Sheet Scale		Weight (g/m)		25.00	40.00	2.00
5:1					155		40.00	63.00	2.50		
Sheet Size				Projection		3rd Agl.		63.00	100.00	3.20	
A3								100.00		3.20%	
Sheet				1/1							


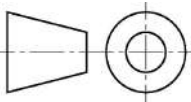


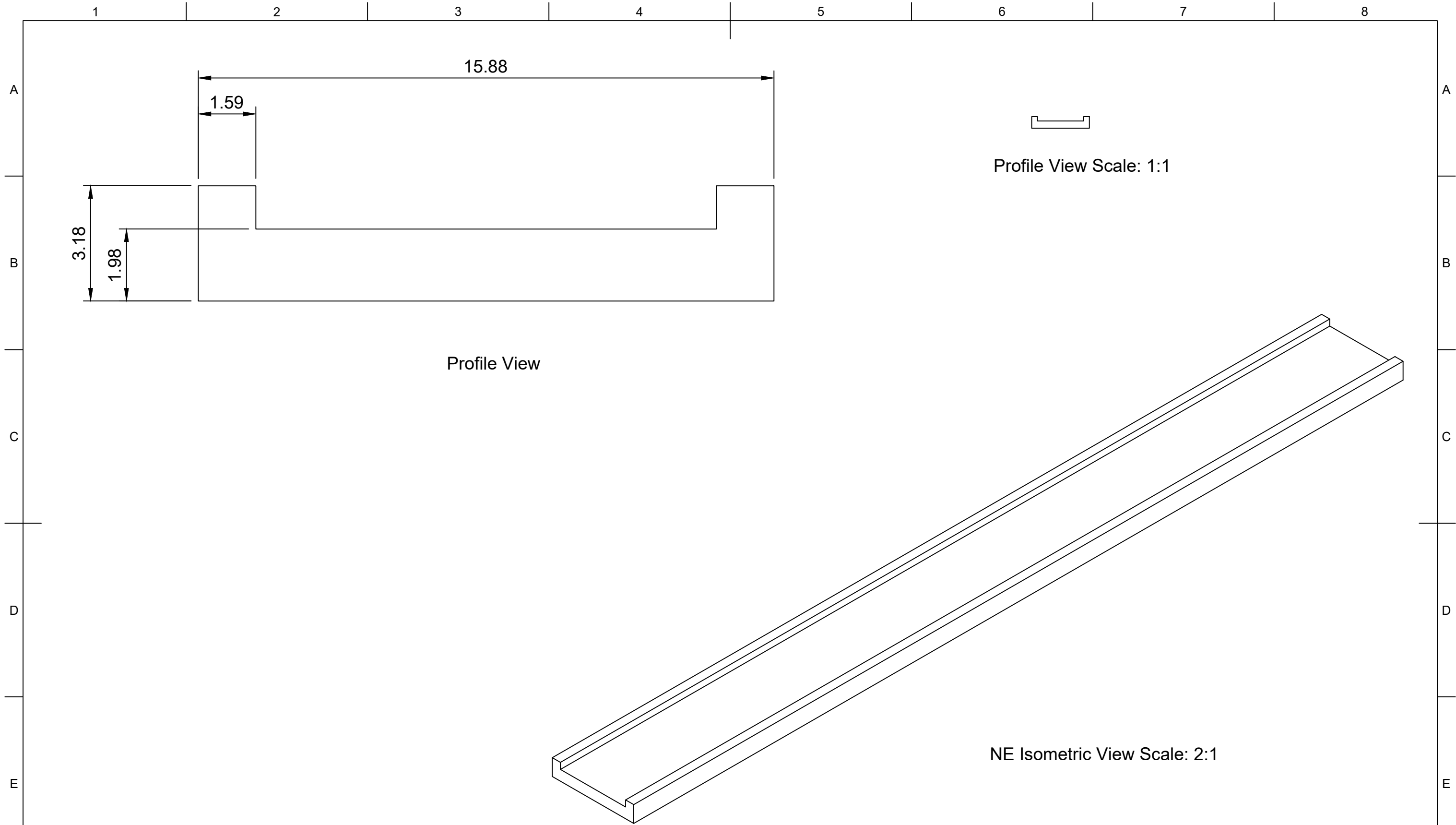
<b>WALKERRUBBER</b> LTD	<b>Part Number</b>				<b>Created By</b>		<b>Cross Sectional Area (mm<sup>2</sup>)</b>		<b>Nominal Dimension (mm)</b>		<b>Tolerance, ± (mm)</b>
	208830				David Stirling		33		<b>Greater Than</b>	<b>Less Than or Equal to</b>	
	<b>Description</b>				<b>Date Drawn</b>		<b>Material</b>		0.00	1.50	0.40
					18/01/2022		Neoprene		1.50	2.50	0.50
	U Channel (Square Base, Square Inner)				<b>Approved By</b>		<b>Hardness (Shore A)</b>		2.50	4.00	0.70
					Date of Approval		70		4.00	6.30	0.80
	Revision				3rd Agl.		Weight (g/m)		6.30	10.00	1.00
									A		43
	Date of Issue				Projection		3rd Agl.		16.00	25.00	1.60
									18/01/2022		3rd Agl.
Sheet Scale				Sheet Size		Sheet		40.00	63.00	2.50	
								10:1		A3	
Sheet				1/1		3rd Agl.		100.00		3.20%	



	<b>Part Number</b>				<b>Created By</b>		<b>Cross Sectional Area (mm<sup>2</sup>)</b>		<b>Nominal Dimension (mm)</b>		<b>Tolerance, ± (mm)</b>
	208969				David Stirling		225		<b>Greater Than</b>	<b>Less Than or Equal to</b>	
	<b>Description</b>				<b>Date Drawn</b>		<b>Material</b>		0.00	1.50	0.40
	U Channel (Square Base, Square Inner)				18/01/2022		Neoprene		1.50	2.50	0.50
	<b>Revision</b>				<b>Approved By</b>		<b>Hardness (Shore A)</b>		2.50	4.00	0.70
	A	Date of Issue		Sheet Scale	Sheet Size	Sheet	Date of Approval		4.00	6.30	0.80
		18/01/2022		2:1	A3	1/1	Colour		6.30	10.00	1.00
							Weight (g/m)		10.00	16.00	1.30
							3rd Agl. 		16.00	25.00	1.60
							340		25.00	40.00	2.00
								40.00	63.00	2.50	
								63.00	100.00	3.20	
								100.00		3.20%	



	<b>Part Number</b>				<b>Created By</b>		<b>Cross Sectional Area (mm<sup>2</sup>)</b>		<b>Nominal Dimension (mm)</b>		<b>Tolerance, ± (mm)</b>
	209035				David Stirling		1100		<b>Greater Than</b>	<b>Less Than or Equal to</b>	
				<b>Date Drawn</b>		<b>Material</b>		0.00		1.50	0.40
				28/04/2020		EPDM		1.50		2.50	0.50
				<b>Approved By</b>		<b>Hardness (Shore A)</b>		2.50		4.00	0.70
<b>Description</b> U Channel (Square Base, Square Inner)						70		4.00		6.30	0.80
								<b>Date of Approval</b>		Black	
				<b>Projection</b>		<b>Colour</b>		10.00			
				3rd Agl. 		Weight (kg/m)		16.00		25.00	1.60
								1.390		25.00	
<b>Revision</b>	<b>Date of Issue</b>	<b>Sheet Scale</b>	<b>Sheet Size</b>	<b>Sheet</b>			40.00			63.00	2.50
A	19/01/2022	1:1	A3	1/1			63.00		100.00	3.20	
								100.00		—	3.20%



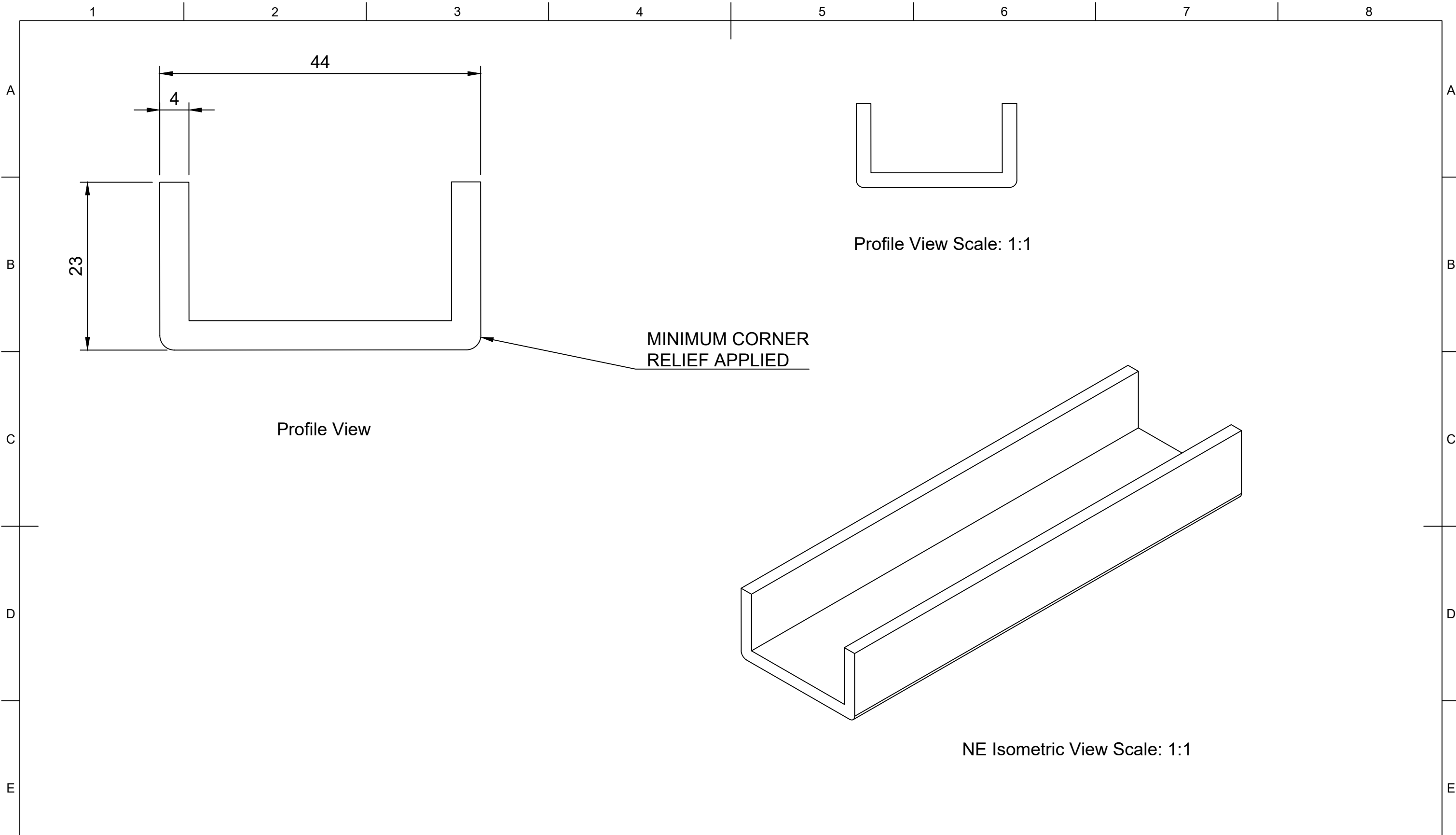
Profile View

Profile View Scale: 1:1

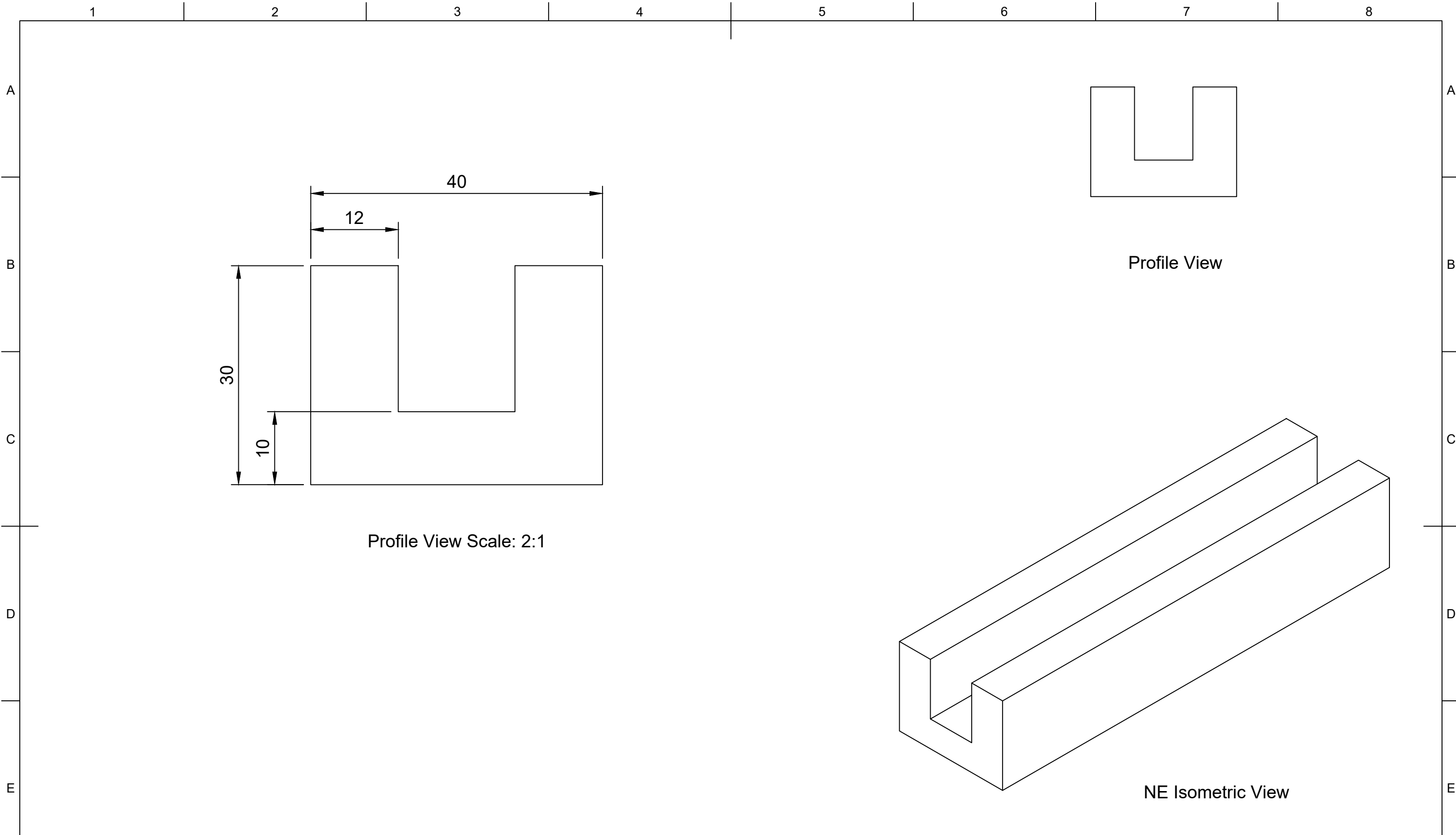
NE Isometric View Scale: 2:1


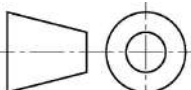


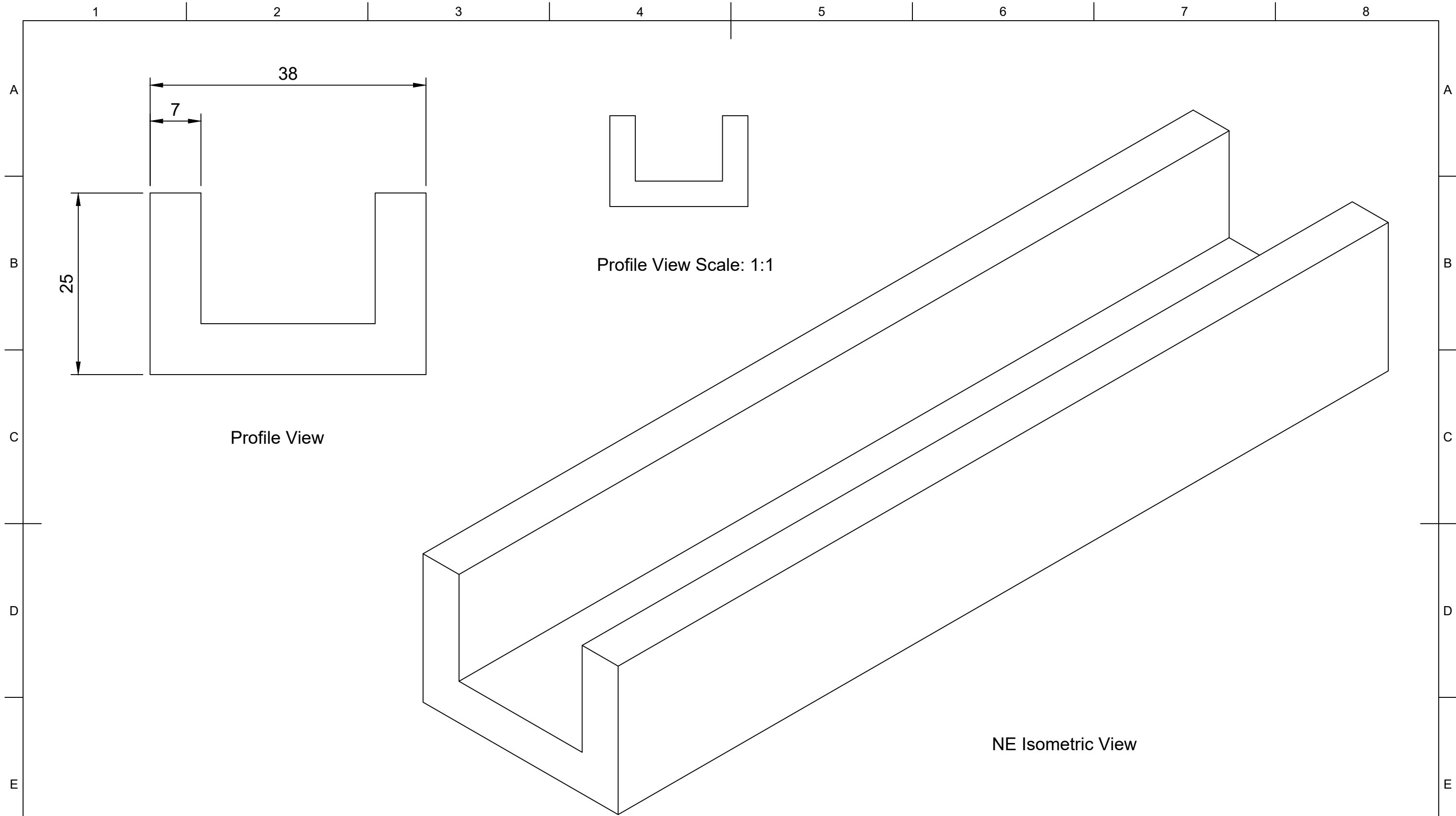
Part Number <b>209039</b>					Created By David Stirling		Cross Sectional Area (mm <sup>2</sup> ) 35		Nominal Dimension (mm)		Tolerance, ± (mm)
					Date Drawn 23/04/2020		Material Neoprene		Greater Than	Less Than or Equal to	
Description <b>U Channel (Square Base, Square Inner)</b>					Approved By		Hardness (Shore A) 70		0.00	1.50	0.40
					Date of Approval		Colour Black		1.50	2.50	0.50
Revision A	Date of Issue 18/01/2022	Sheet Scale 10:1	Sheet Size A3	Sheet 1/1	Projection 3rd Agl.	Weight (g/m) 54		2.50	4.00	0.70	
								4.00	6.30	0.80	
								6.30	10.00	1.00	
								10.00	16.00	1.30	
								16.00	25.00	1.60	
							25.00	40.00	2.00		
							40.00	63.00	2.50		
							63.00	100.00	3.20		
							100.00		3.20%		


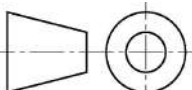


Part Number <b>209114</b>					Created By David Stirling		Cross Sectional Area (mm <sup>2</sup> ) 327		Nominal Dimension (mm)		Tolerance, ± (mm)
					Date Drawn 20/04/2020		Material Neoprene		Greater Than	Less Than or Equal to	
Description <b>U Channel (Square Base, Square Inner)</b>					Approved By		Hardness (Shore A) 70		0.00	1.50	0.40
					Date of Approval		Colour Black		1.50	2.50	0.50
Revision A	Date of Issue 18/01/2022	Sheet Scale 2:1	Sheet Size A3	Sheet 1/1	Projection 3rd Agl.	Weight (g/m) 619		2.50	4.00	0.70	
								4.00	6.30	0.80	
								6.30	10.00	1.00	
								10.00	16.00	1.30	
								16.00	25.00	1.60	
								25.00	40.00	2.00	
								40.00	63.00	2.50	
								63.00	100.00	3.20	
								100.00		3.20%	

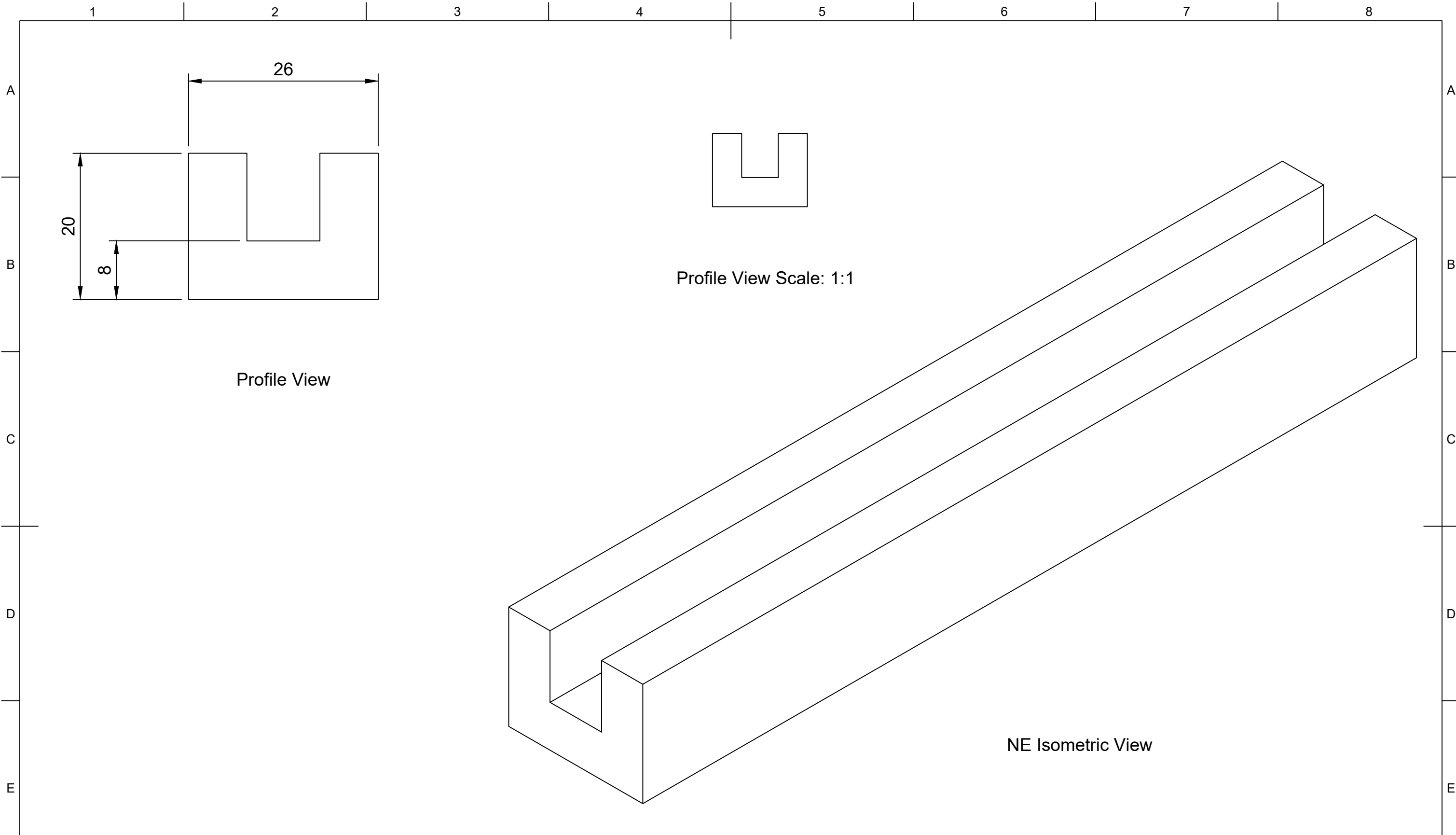


	<b>Part Number</b>				<b>Created By</b>		<b>Cross Sectional Area (mm<sup>2</sup>)</b>		<b>Nominal Dimension (mm)</b>		<b>Tolerance, ± (mm)</b>
	209284				David Stirling		880		<b>Greater Than</b>	<b>Less Than or Equal to</b>	
	<b>Description</b>				<b>Date Drawn</b>		<b>Material</b>		0.00	1.50	0.40
					28/04/2020		EPDM		1.50	2.50	0.50
	U Channel (Square Base, Square Inner)				<b>Approved By</b>		<b>Hardness (Shore A)</b>		2.50	4.00	0.70
					<b>Date of Approval</b>		70		4.00	6.30	0.80
					<b>Projection</b>		<b>Colour</b>		6.30	10.00	1.00
									3rd Agl. 		Black
	<b>Revision</b>	<b>Date of Issue</b>	<b>Sheet Scale</b>	<b>Sheet Size</b>	<b>Sheet</b>	<b>Weight (kg/m)</b>		16.00	25.00	1.60	
	A	19/01/2022	1:1	A3	1/1			25.00	40.00	2.00	
						1.110		40.00	63.00	2.50	
								63.00	100.00	3.20	
								100.00		3.20%	



	Part Number				Created By		Cross Sectional Area (mm <sup>2</sup> )		Nominal Dimension (mm)		Tolerance, ± (mm)
	209323				David Stirling		518		Greater Than	Less Than or Equal to	
	Description				Date Drawn		Material		0.00		0.40
					20/04/2020		EPDM		1.50		0.50
	U Channel (Square Base, Square Inner)				Approved By		Hardness (Shore A)		2.50		0.70
					Date of Approval		70		4.00		0.80
	Revision				Projection		Colour		6.30		1.00
					3rd Agl. 		Black		10.00		1.30
	A		Date of Issue		Sheet Scale		Weight (g/m)		16.00		1.60
	18/01/2022		2:1		A3		653		25.00		2.00
		Sheet Size		Sheet				40.00		2.50	
		A3		1/1				63.00		3.20	
								100.00		3.20%	


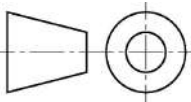


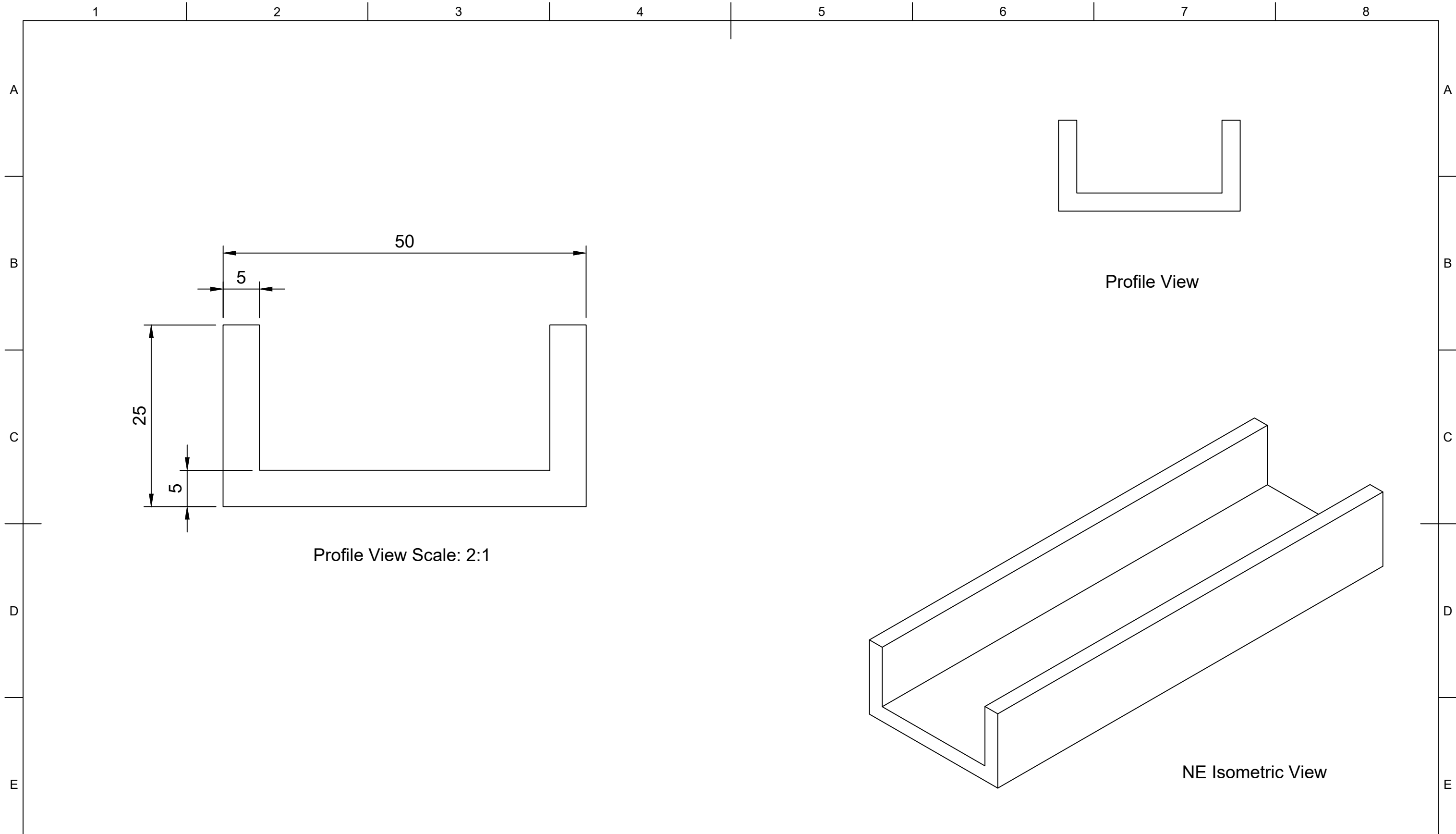



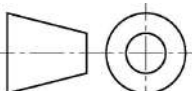
Profile View Scale: 1:1

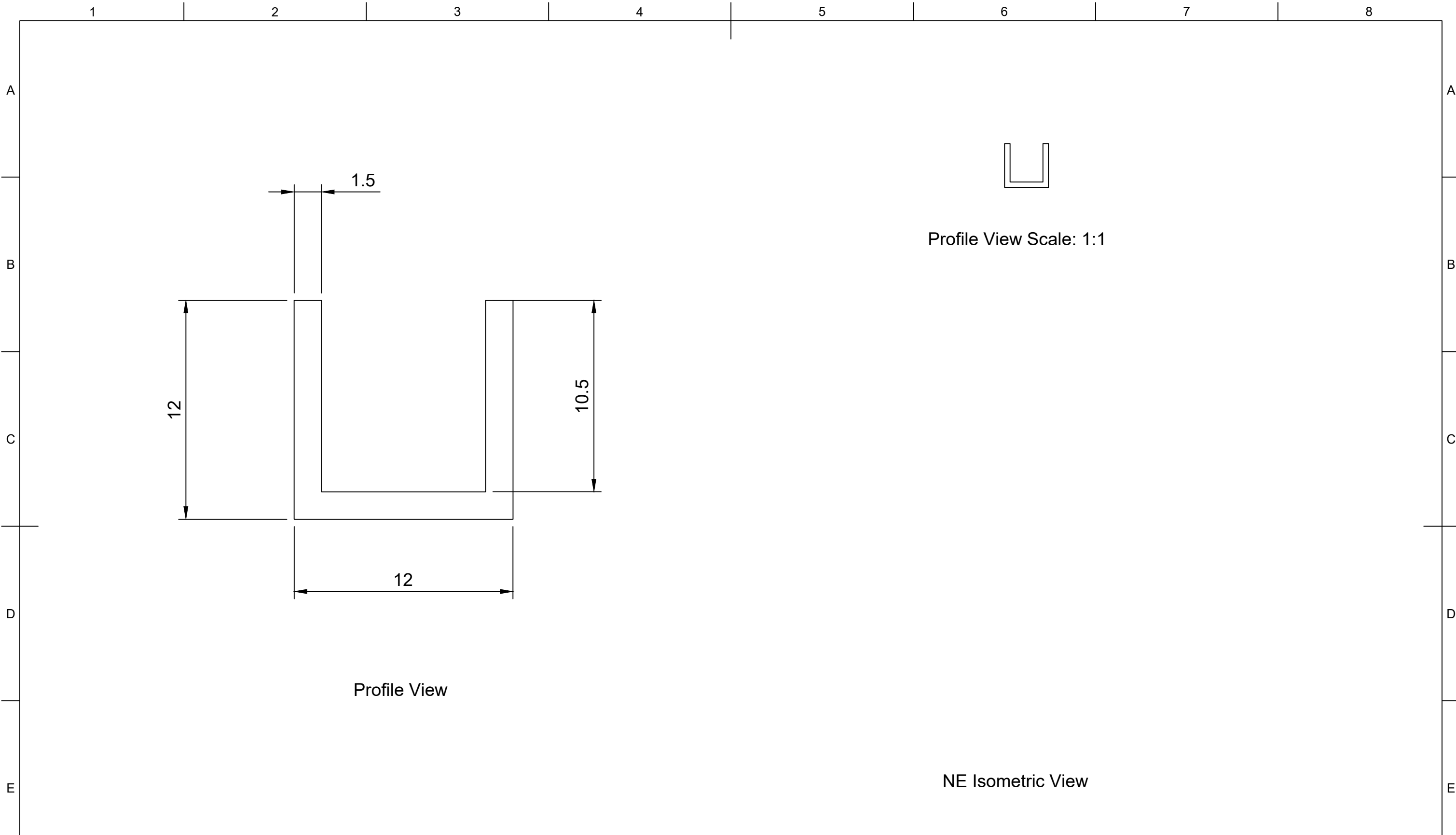
Profile View


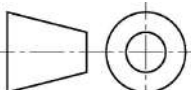
NE Isometric View

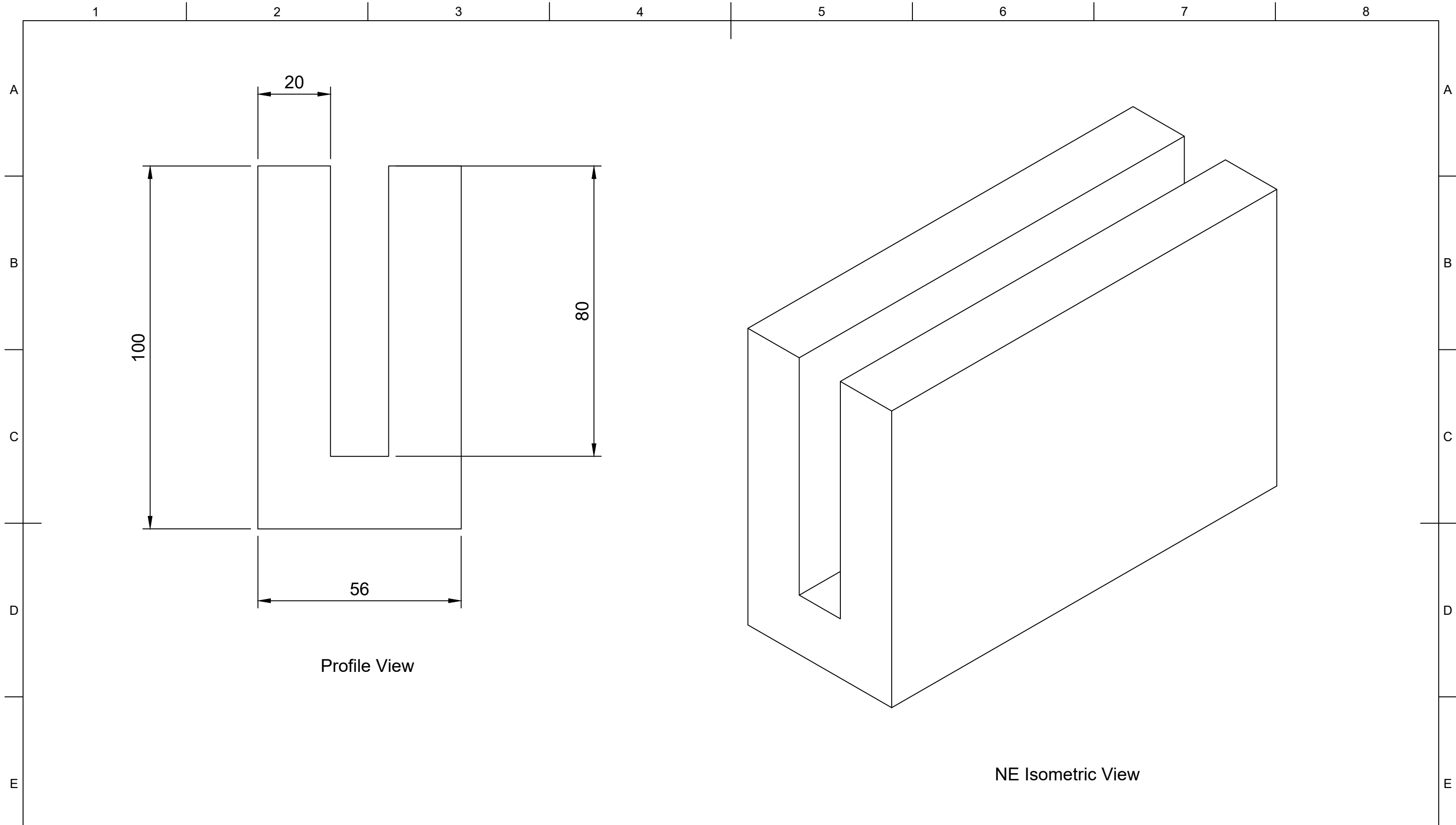
	<b>Part Number</b>				<b>Created By</b>		<b>Cross Sectional Area (mm<sup>2</sup>)</b>		<b>Nominal Dimension (mm)</b>		<b>Tolerance, ± (mm)</b>										
	209464				David Stirling		400		<b>Greater Than</b>	<b>Less Than or Equal to</b>	0.40										
					Date Drawn		Material		0.00	1.50											
	U Channel (Square Base, Square Inner)				20/04/2020		Neoprene		1.50	2.50	0.50										
					<b>Approved By</b>		<b>Hardness (Shore A)</b>		2.50	4.00	0.70										
					Date of Approval		70		4.00	6.30	0.80										
					Colour		Black		6.30	10.00	1.00										
	<table border="1"> <tr> <td><b>Revision</b></td> <td><b>Date of Issue</b></td> <td><b>Sheet Scale</b></td> <td><b>Sheet Size</b></td> <td><b>Sheet</b></td> </tr> <tr> <td>A</td> <td>18/01/2022</td> <td>2:1</td> <td>A3</td> <td>1/1</td> </tr> </table>				<b>Revision</b>	<b>Date of Issue</b>	<b>Sheet Scale</b>	<b>Sheet Size</b>	<b>Sheet</b>	A	18/01/2022	2:1	A3	1/1	<b>Projection</b>		<b>Weight (g/m)</b>		10.00	16.00	1.30
					<b>Revision</b>	<b>Date of Issue</b>	<b>Sheet Scale</b>	<b>Sheet Size</b>	<b>Sheet</b>												
					A	18/01/2022	2:1	A3	1/1												
3rd Agl. 					610		16.00	25.00	1.60												
25.00		40.00		25.00	40.00	2.00															
40.00		63.00		63.00		2.50															
63.00		100.00		100.00		3.20															
100.00						3.20%															



	<b>Part Number</b>				<b>Created By</b>		<b>Cross Sectional Area (mm<sup>2</sup>)</b>		<b>Nominal Dimension (mm)</b>		<b>Tolerance, ± (mm)</b>	
	209511				David Stirling		450		<b>Greater Than</b>	<b>Less Than or Equal to</b>		
	<b>Description</b>				<b>Date Drawn</b>		<b>Material</b>		0.00	1.50	0.40	
					28/04/2020		EPDM		1.50	2.50	0.50	
	U Channel (Square Base, Square Inner)				<b>Approved By</b>		<b>Hardness (Shore A)</b>		2.50	4.00	0.70	
					<b>Date of Approval</b>		70		4.00	6.30	0.80	
	<b>Projection</b>		<b>Colour</b>				6.30	10.00	1.00			
			3rd Agl. 		Black		10.00	16.00	1.30			
	<b>Weight (g/m)</b>				567		16.00	25.00	1.60			
			25.00	40.00			2.00					
<b>Revision</b>		<b>Date of Issue</b>		<b>Sheet Scale</b>		<b>Sheet Size</b>		<b>Sheet</b>		40.00	63.00	2.50
										A		19/01/2022
A		19/01/2022		1:1		A3		1/1				


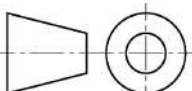


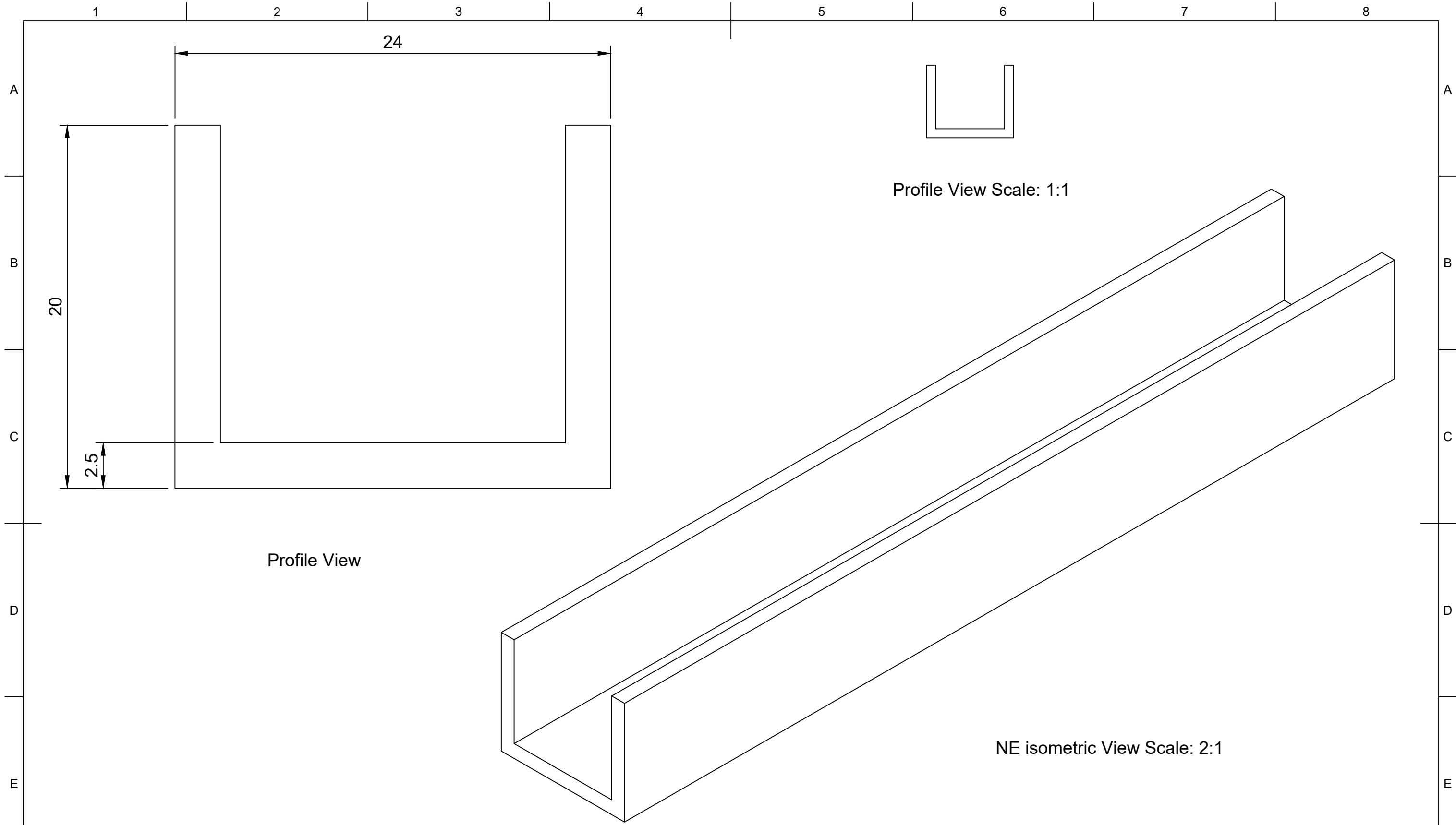
	Part Number				Created By		Cross Sectional Area (mm <sup>2</sup> )		Nominal Dimension (mm)		Tolerance, ± (mm)
	209630				David Stirling		50		Greater Than	Less Than or Equal to	
	Description				Date Drawn		Material		0.00		0.40
	U Channel (Square Base, Square Inner)				23/04/2020		EPDM		1.50		0.50
	Revision				Approved By		Hardness (Shore A)		2.50		0.70
	A				Date of Approval		70		4.00		0.80
	Date of Issue				Projection		Colour		6.30		1.00
	18/01/2022				3rd Agl. 		Black		10.00		1.30
	Sheet Scale				Weight (g/m)		62		16.00		1.60
	5:1				1/1				25.00		2.00
Sheet Size								40.00		2.50	
A3								63.00		3.20	
Sheet								100.00		3.20%	
1/1											



Profile View


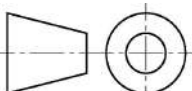
NE Isometric View

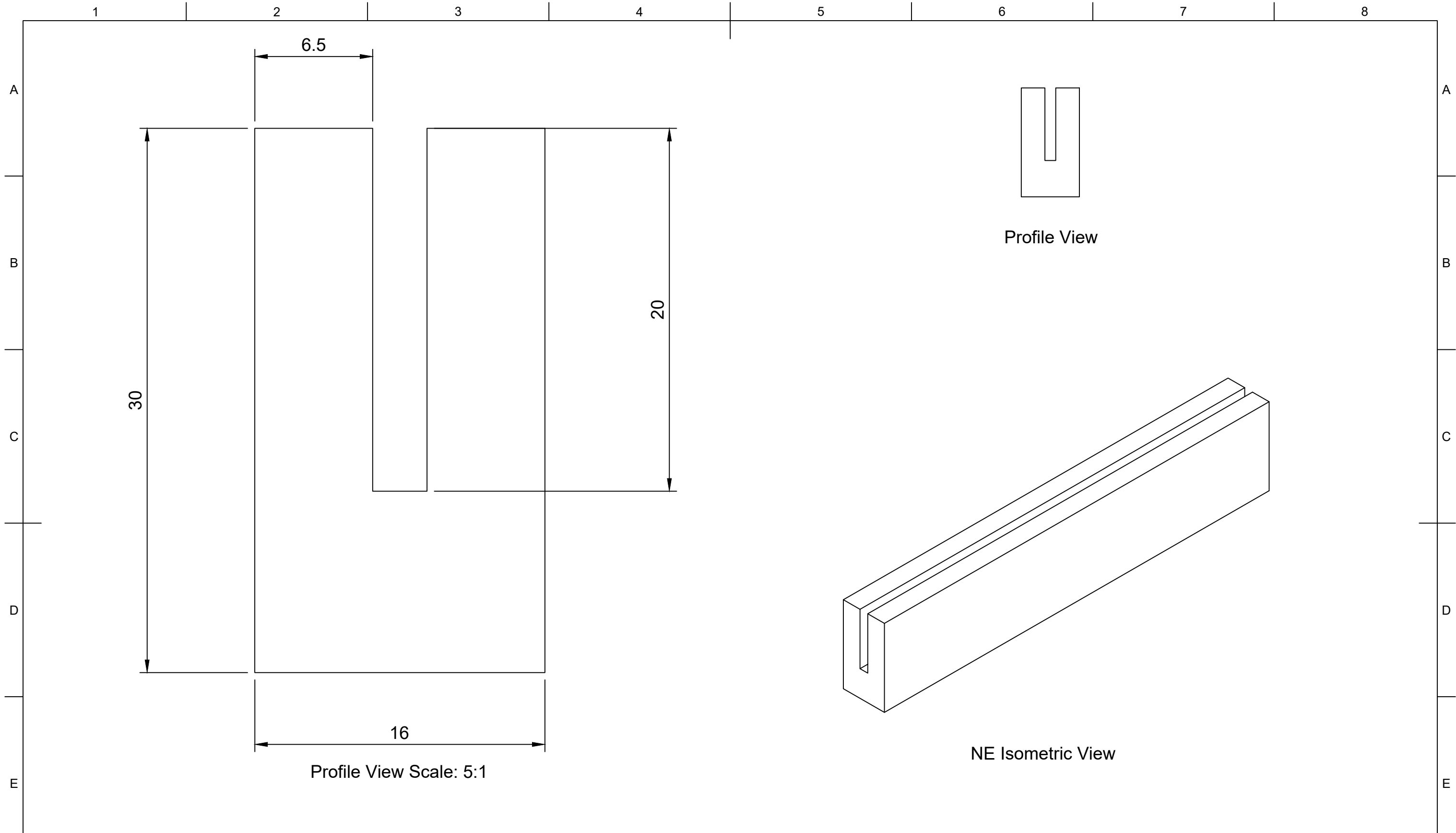
	<b>Part Number</b>				<b>Created By</b>		<b>Cross Sectional Area (mm<sup>2</sup>)</b>		<b>Nominal Dimension (mm)</b>		<b>Tolerance, ± (mm)</b>	
	209893				David Stirling		4320		<b>Greater Than</b>	<b>Less Than or Equal to</b>		
	<b>Description</b>				<b>Date Drawn</b>		<b>Material</b>		0.00	1.50	0.40	
	U Channel (Square Base, Square Inner)				23/04/2020		EPDM		1.50	2.50	0.50	
					<b>Approved By</b>		<b>Hardness (Shore A)</b>		2.50	4.00	0.70	
	<b>Revision</b>				<b>Date of Approval</b>		<b>Colour</b>		4.00	6.30	0.80	
	A	18/01/2022	1:1	A3	1/1	<b>Projection</b> 3rd Agl. 		<b>Weight (kg/m)</b>		6.30	10.00	1.00
								5.544		10.00	16.00	1.30
									16.00	25.00	1.60	
									25.00	40.00	2.00	
								40.00	63.00	2.50		
								63.00	100.00	3.20		
								100.00		3.20%		


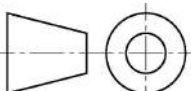


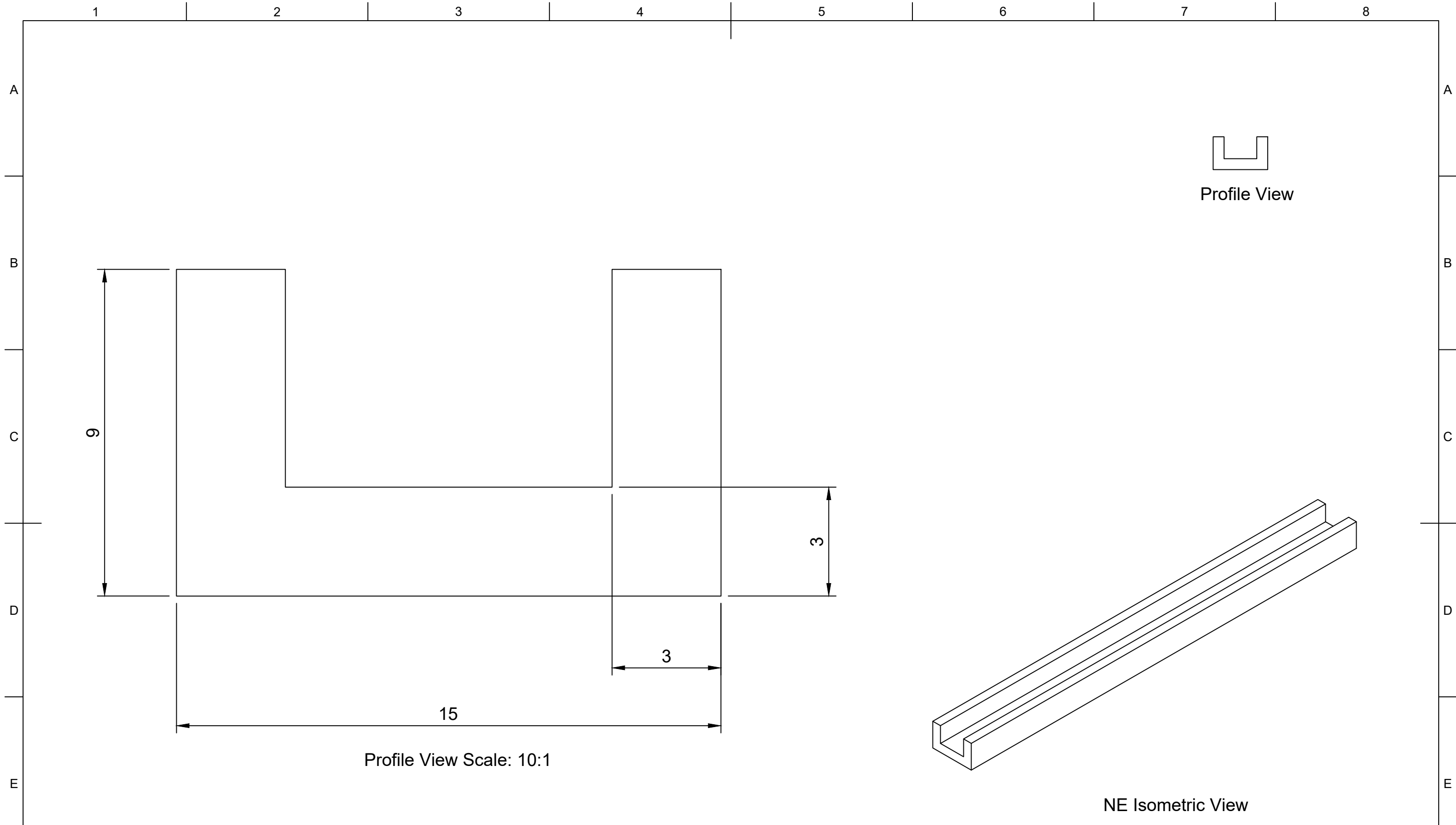
Profile View

NE isometric View Scale: 2:1

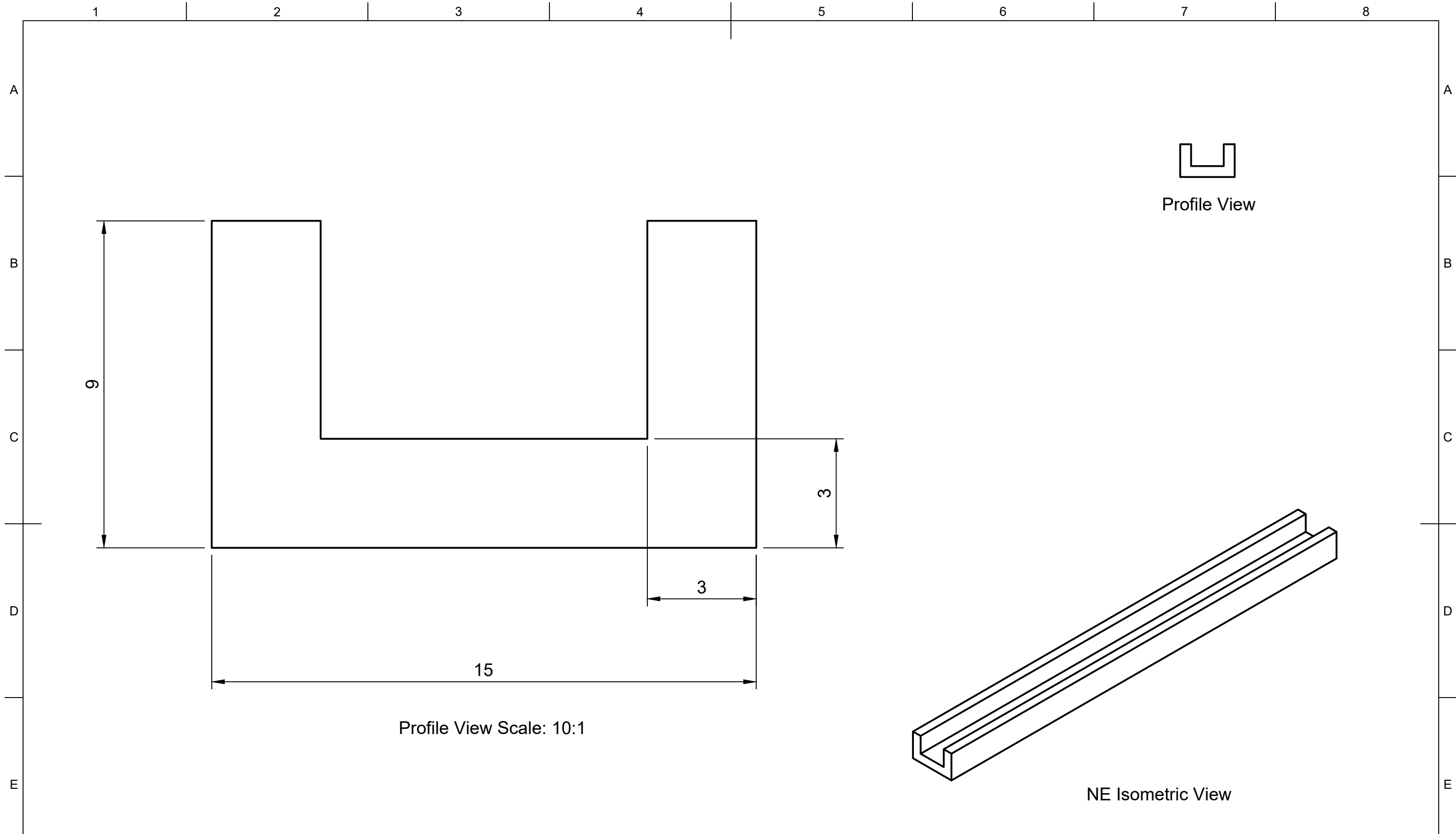
	<b>Part Number</b>				<b>Created By</b>		<b>Cross Sectional Area (mm<sup>2</sup>)</b>		<b>Nominal Dimension (mm)</b>		<b>Tolerance, ± (mm)</b>										
	209957				David Stirling		148		<b>Greater Than</b>	<b>Less Than or Equal to</b>											
	<b>Description</b>				<b>Date Drawn</b>		<b>Material</b>		0.00		0.40										
					20/04/2020		EPDM		1.50		0.50										
	U Channel (Square Base, Square Inner)				<b>Approved By</b>		<b>Hardness (Shore A)</b>		2.50		0.70										
					<b>Date of Approval</b>		70		4.00		0.80										
	<table border="1" style="width: 100%; border-collapse: collapse;"> <tr> <td><b>Revision</b></td> <td><b>Date of Issue</b></td> <td><b>Sheet Scale</b></td> <td><b>Sheet Size</b></td> <td><b>Sheet</b></td> </tr> <tr> <td style="text-align: center;">A</td> <td style="text-align: center;">18/01/2022</td> <td style="text-align: center;">5:1</td> <td style="text-align: center;">A3</td> <td style="text-align: center;">1/1</td> </tr> </table>				<b>Revision</b>	<b>Date of Issue</b>	<b>Sheet Scale</b>	<b>Sheet Size</b>	<b>Sheet</b>	A	18/01/2022	5:1	A3	1/1	<b>Projection</b>		<b>Colour</b>		6.30		1.00
					<b>Revision</b>	<b>Date of Issue</b>	<b>Sheet Scale</b>	<b>Sheet Size</b>	<b>Sheet</b>												
	A	18/01/2022	5:1	A3	1/1																
	3rd Agl. 		Black		10.00		1.30														
				<b>Weight (g/m)</b>		16.00		25.00		1.60											
				190		25.00		40.00		2.00											
						40.00		63.00		2.50											
						63.00		100.00		3.20											
						100.00				3.20%											


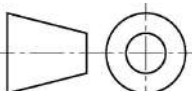


	<b>Part Number</b>				<b>Created By</b>		<b>Cross Sectional Area (mm<sup>2</sup>)</b>		<b>Nominal Dimension (mm)</b>		<b>Tolerance, ± (mm)</b>
	201935				Isaac Erskine		420		<b>Greater Than</b>	<b>Less Than or Equal to</b>	
	<b>Description</b>				<b>Date Drawn</b>		<b>Material</b>		0.00	1.50	0.40
	U Channel (Square Base, Square Inner)				01/08/2020		EPDM		1.50	2.50	0.50
	<b>Revision</b>				<b>Approved By</b>		<b>Hardness (Shore A)</b>		2.50	4.00	0.70
	A	Date of Issue		Sheet Scale	Sheet Size	Sheet	Date of Approval		4.00	6.30	0.80
		15/02/2022		1:1	A3	1/1	Colour		6.30	10.00	1.00
							Projection		10.00	16.00	1.30
							3rd Agl. 		16.00	25.00	1.60
							Weight (g/m)		25.00	40.00	2.00
						529		40.00	63.00	2.50	
								63.00	100.00	3.20	
								100.00		3.20%	

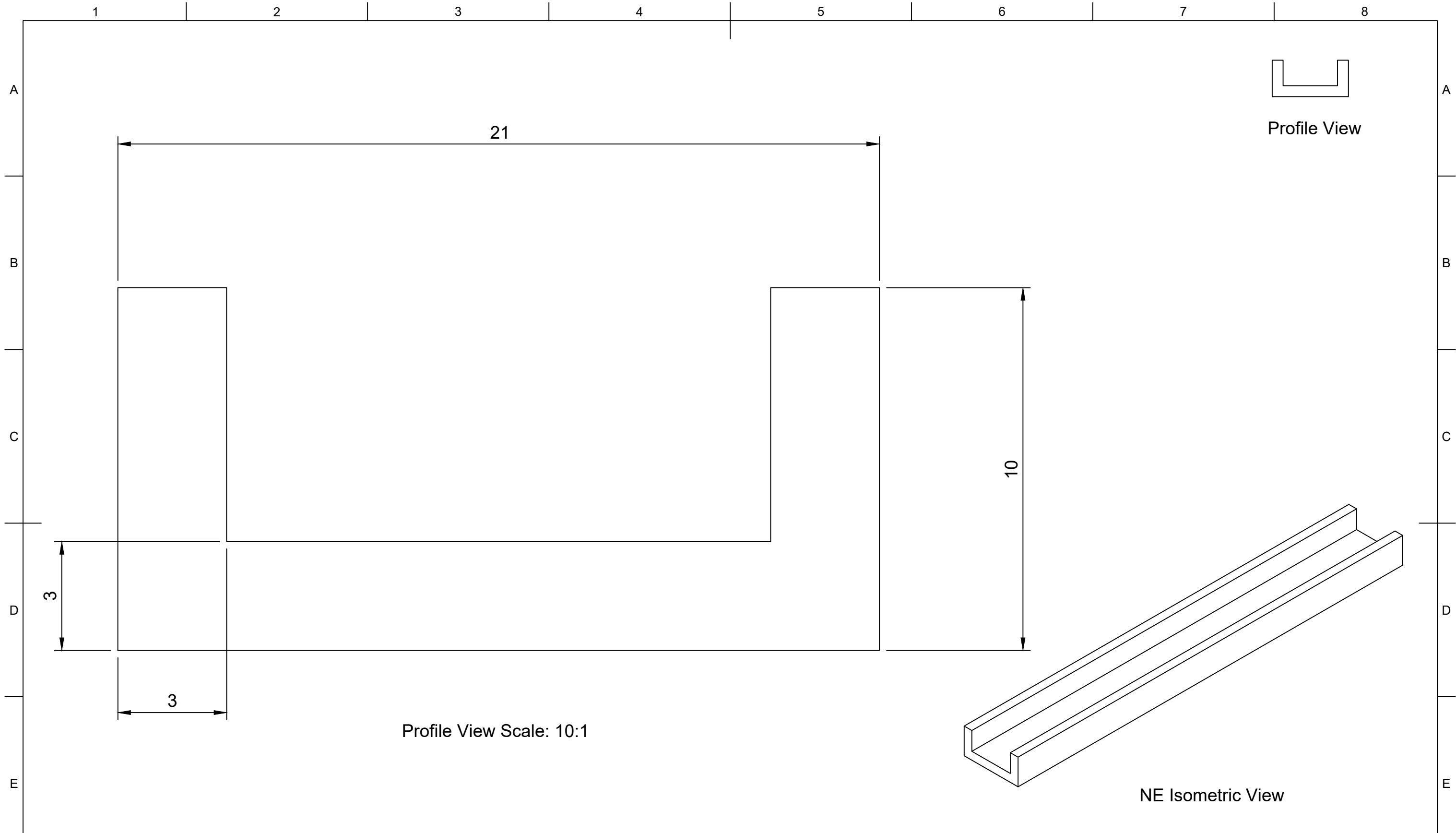


	Part Number				Created By		Cross Sectional Area (mm <sup>2</sup> )		Nominal Dimension (mm)		Tolerance, ± (mm)	
	206869				Isaac Erskine		81		Greater Than	Less Than or Equal to		
	Description				Date Drawn		Material		0.00	1.50	0.40	
					U Channel (Square Base, Square Inner)		Isaac Erskine		EPDM			1.50
	Revision				Date of Approval		Hardness (Shore A)		2.50	4.00	0.70	
					21/02/2022		70		4.00	6.30		0.80
					Date of Issue				Colour			6.30
A		21/02/2022		21/02/2022		Black		10.00	16.00	1.30		
Sheet Scale		Sheet Size		Sheet		Projection		16.00	25.00	1.60		
1:1		A3		1/1		3rd Agl.		25.00	40.00	2.00		
						Weight (g/m)		40.00	63.00	2.50		
						102		63.00	100.00	3.20		
								100.00		3.20%		

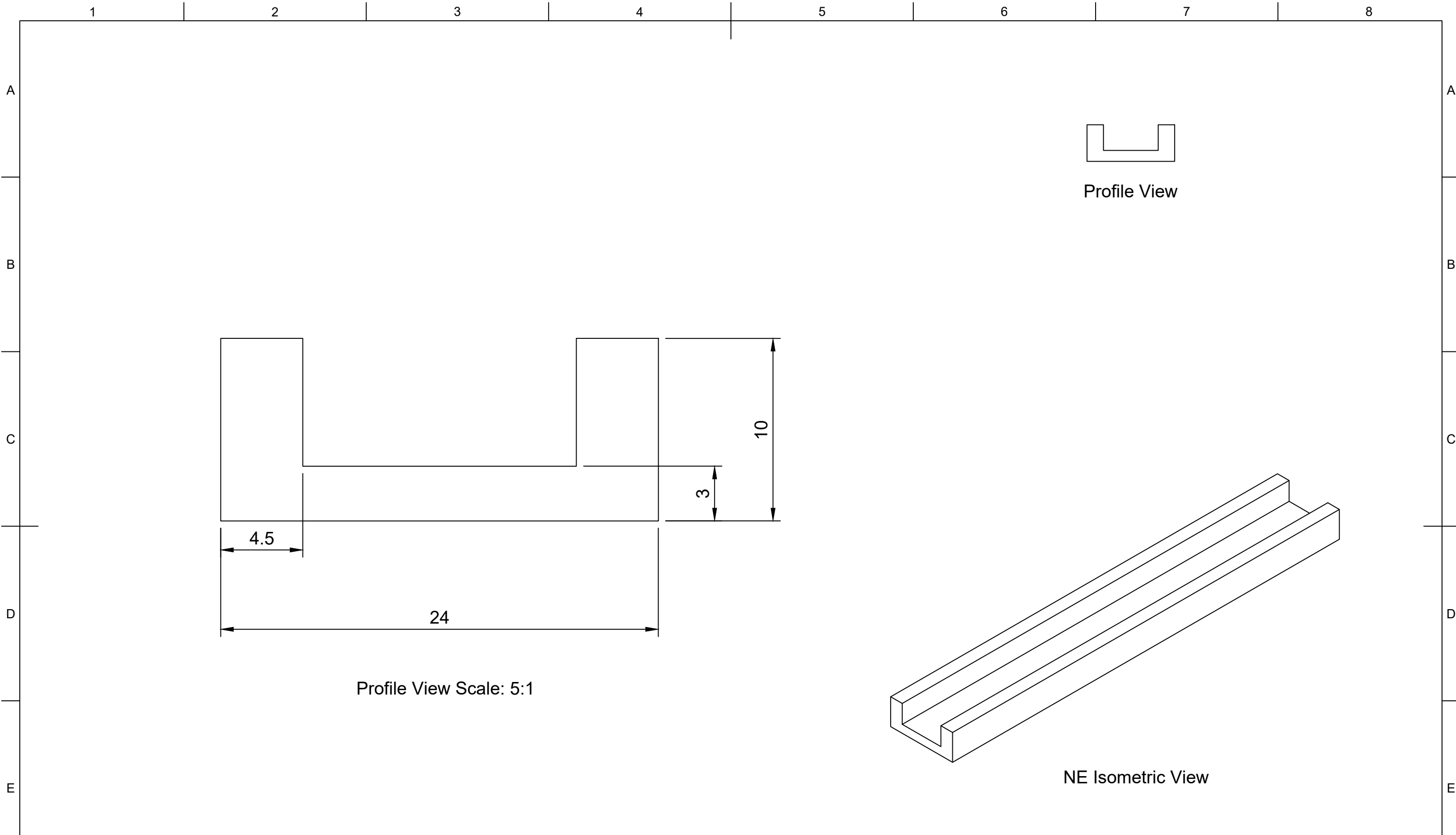


	<b>Part Number</b>				<b>Created By</b>		<b>Cross Sectional Area (mm<sup>2</sup>)</b>		<b>Nominal Dimension (mm)</b>		<b>Tolerance, ± (mm)</b>
	201810				Isaac Erskine		81		<b>Greater Than</b>	<b>Less Than or Equal to</b>	
					Date Drawn		Material		0.00	1.50	0.40
					21/02/2022		Neoprene		1.50	2.50	0.50
					Approved By		Hardness (Shore A)		2.50	4.00	0.70
	<b>Description</b>				Isaac Erskine		70		4.00	6.30	0.80
	U Channel (Square Base, Square Inner)				Date of Approval		Colour		6.30	10.00	1.00
					21/02/2022		Black		10.00	16.00	1.30
					Projection		Weight (g/m)		16.00	25.00	1.60
	<b>Revision</b>	<b>Date of Issue</b>	<b>Sheet Scale</b>	<b>Sheet Size</b>	<b>Sheet</b>	3rd Agl. 	123		25.00	40.00	2.00
A	21/02/2022	1:1	A3	1/1				40.00	63.00	2.50	
								63.00	100.00	3.20	
								100.00		3.20%	

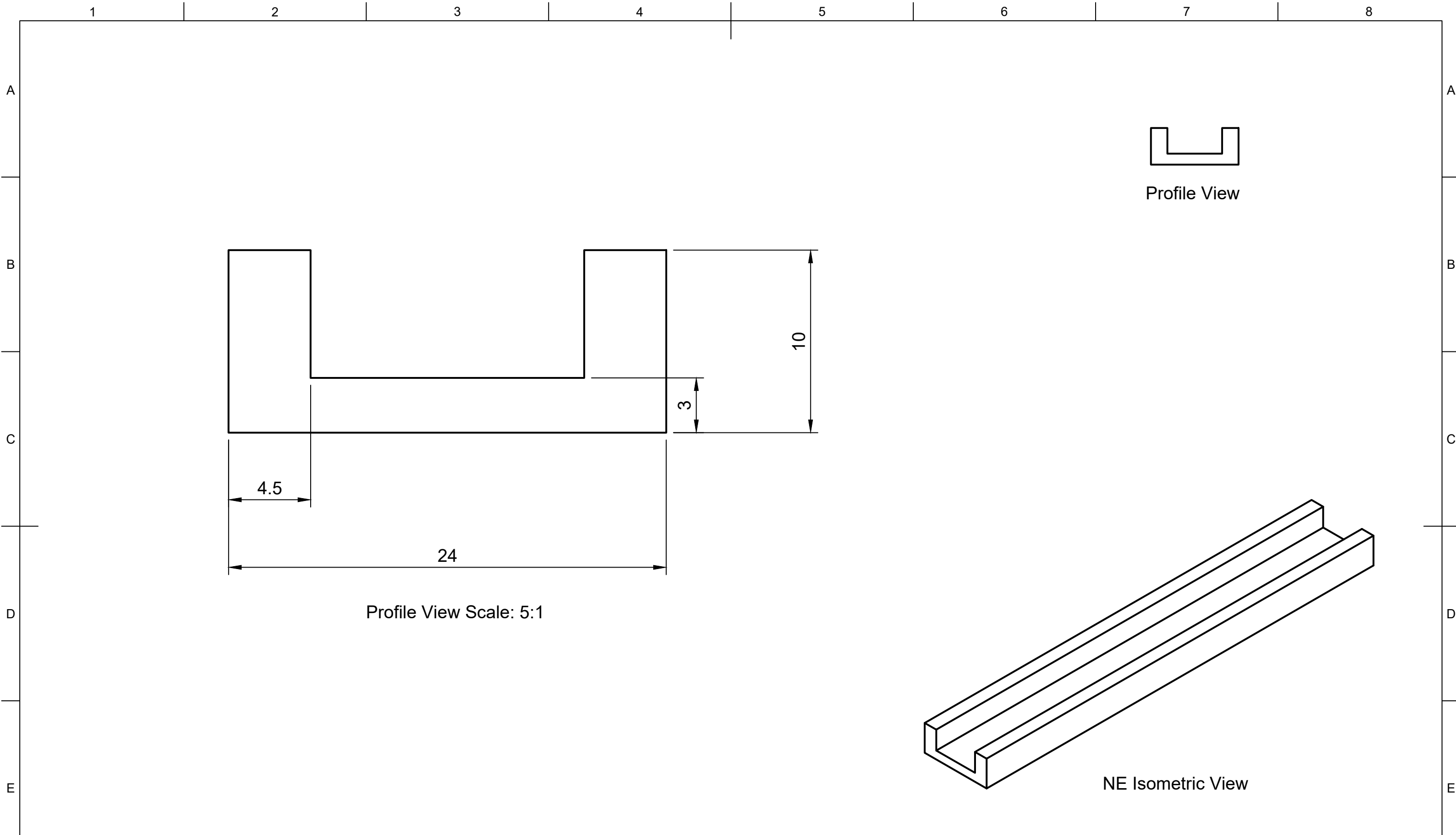



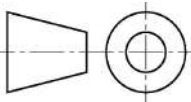


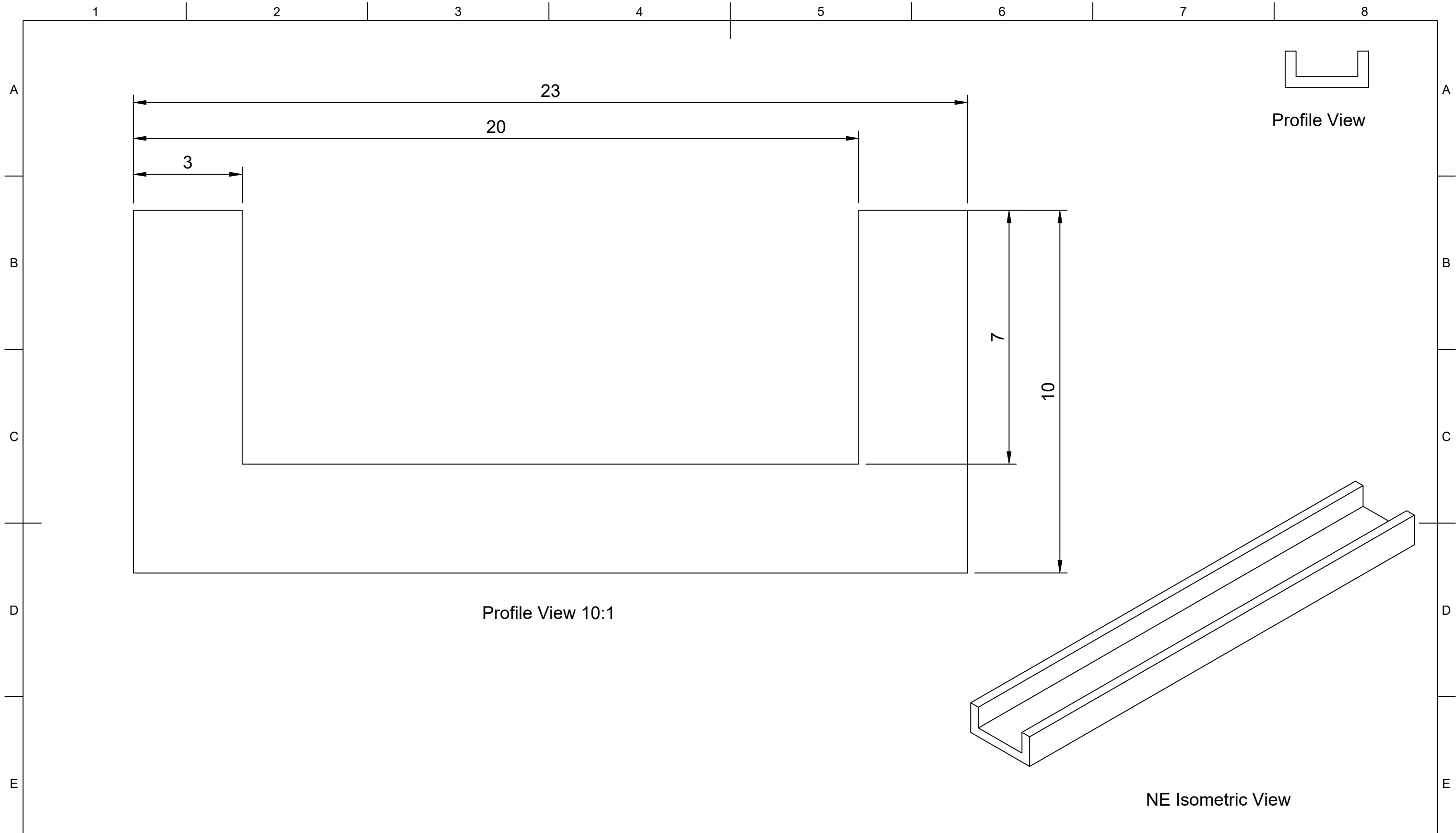
<b>WALKERRUBBER</b> LTD	<b>Part Number</b>				<b>Created By</b>		<b>Cross Sectional Area (mm<sup>2</sup>)</b>		<b>Nominal Dimension (mm)</b>		<b>Tolerance, ± (mm)</b>
	201589				Isaac Erskine		105		<b>Greater Than</b>	<b>Less Than or Equal to</b>	
	<b>Description</b>				<b>Date Drawn</b>		<b>Material</b>		0.00	1.50	0.40
	U Channel (Square Base, Square Inner)				24/09/2020		EPDM		1.50	2.50	0.50
	<b>Revision</b>				<b>Approved By</b>		<b>Hardness (Shore A)</b>		2.50	4.00	0.70
	A	<b>Date of Issue</b>		<b>Sheet Scale</b>	<b>Sheet Size</b>	<b>Sheet</b>	21/02/2022		4.00	6.30	0.80
		21/02/2022		1:1	A3	1/1	Isaac Erskine		6.30	10.00	1.00
							<b>Date of Approval</b>		10.00	16.00	1.30
							21/02/2022		16.00	25.00	1.60
							<b>Projection</b>		25.00	40.00	2.00
						3rd Agl.		40.00	63.00	2.50	
						<b>Weight (g/m)</b>		63.00	100.00	3.20	
						132		100.00		3.20%	



	<b>Part Number</b>				<b>Created By</b>		<b>Cross Sectional Area (mm<sup>2</sup>)</b>		<b>Nominal Dimension (mm)</b>		<b>Tolerance, ± (mm)</b>			
	206101				Isaac Erskine		135		<b>Greater Than</b>	<b>Less Than or Equal to</b>				
	<b>Description</b>				<b>Date Drawn</b>		<b>Material</b>		0.00	1.50	0.40			
	U Channel (Square Base, Square Inner)				24/09/2020		EPDM		1.50	2.50	0.50			
	<b>Revision</b>				<b>Approved By</b>		<b>Hardness (Shore A)</b>		2.50	4.00	0.70			
	A	<b>Date of Issue</b>		<b>Sheet Scale</b>		<b>Sheet Size</b>		<b>Sheet</b>		<b>Date of Approval</b>		<b>Colour</b>		
		21/02/2022		1:1		A3		1/1		21/02/2022		Black		
										<b>Projection</b>		<b>Weight (g/m)</b>		
						3rd Agl.				170		25.00	40.00	2.00
										40.00	63.00	2.50		
									63.00	100.00	3.20			
									100.00		3.20%			


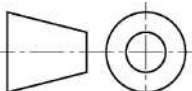


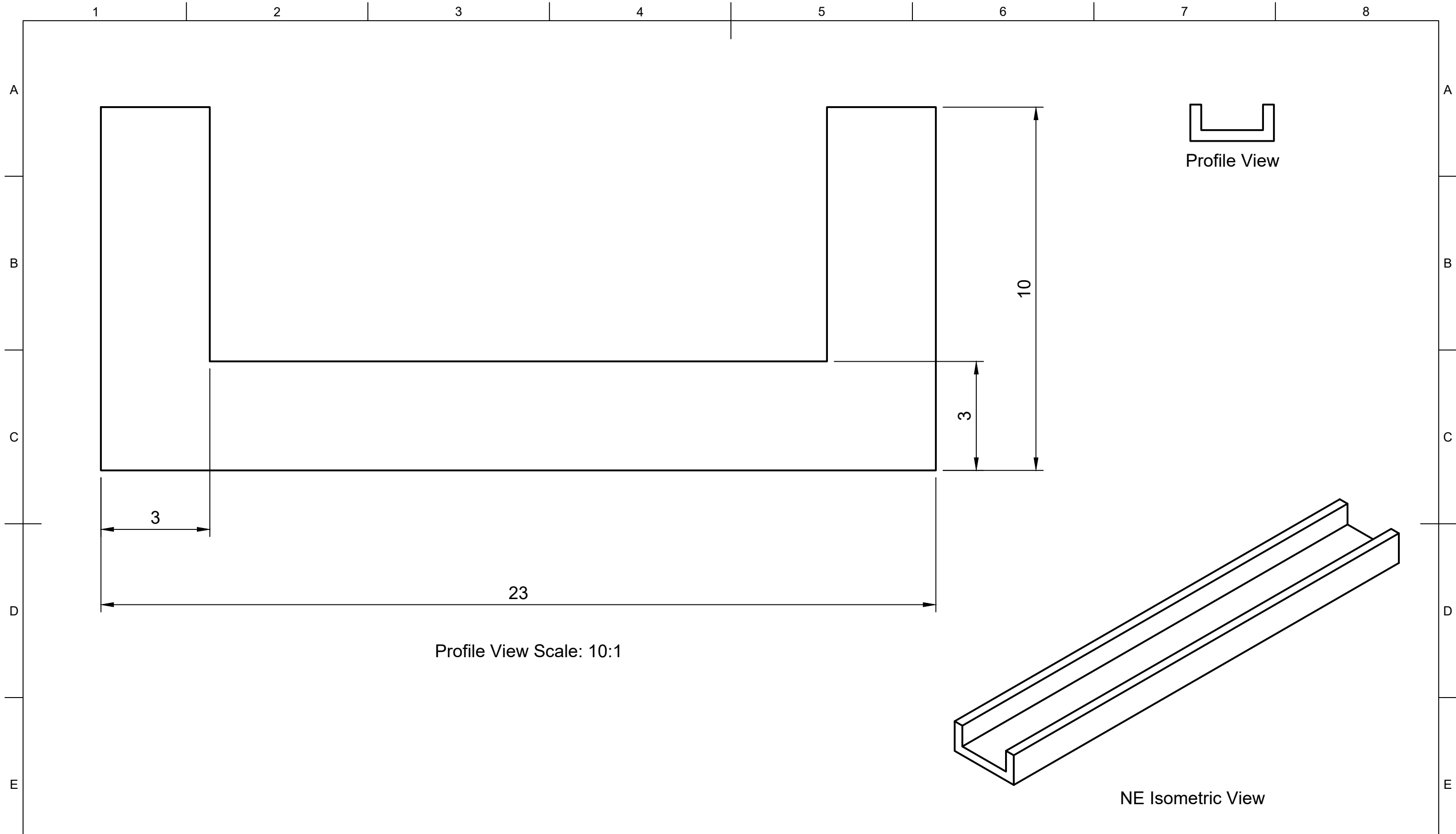
	<b>Part Number</b>				<b>Created By</b>		<b>Cross Sectional Area (mm<sup>2</sup>)</b>		<b>Nominal Dimension (mm)</b>		<b>Tolerance, ± (mm)</b>
	208339				Isaac Erskine		135		<b>Greater Than</b>	<b>Less Than or Equal to</b>	
	<b>Description</b>				<b>Date Drawn</b>		<b>Material</b>		0.00	1.50	0.40
	U Channel (Square Base, Square Inner)				21/02/2022		Nitrile		1.50	2.50	0.50
	<b>Revision</b>				<b>Approved By</b>		<b>Hardness (Shore A)</b>		2.50	4.00	0.70
	A	21/02/2022		1:1	Isaac Erskine		70		4.00	6.30	0.80
	<b>Date of Issue</b>		<b>Sheet Scale</b>		<b>Sheet Size</b>		<b>Colour</b>		6.30	10.00	1.00
	21/02/2022		1:1		A3		Black		10.00	16.00	1.30
	<b>Sheet</b>		<b>Projection</b>		<b>Date of Approval</b>		<b>Weight (g/m)</b>		16.00	25.00	1.60
	1/1		3rd Agl. 		21/02/2022		163		25.00	40.00	2.00
								40.00	63.00	2.50	
								63.00	100.00	3.20	
								100.00		3.20%	


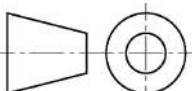


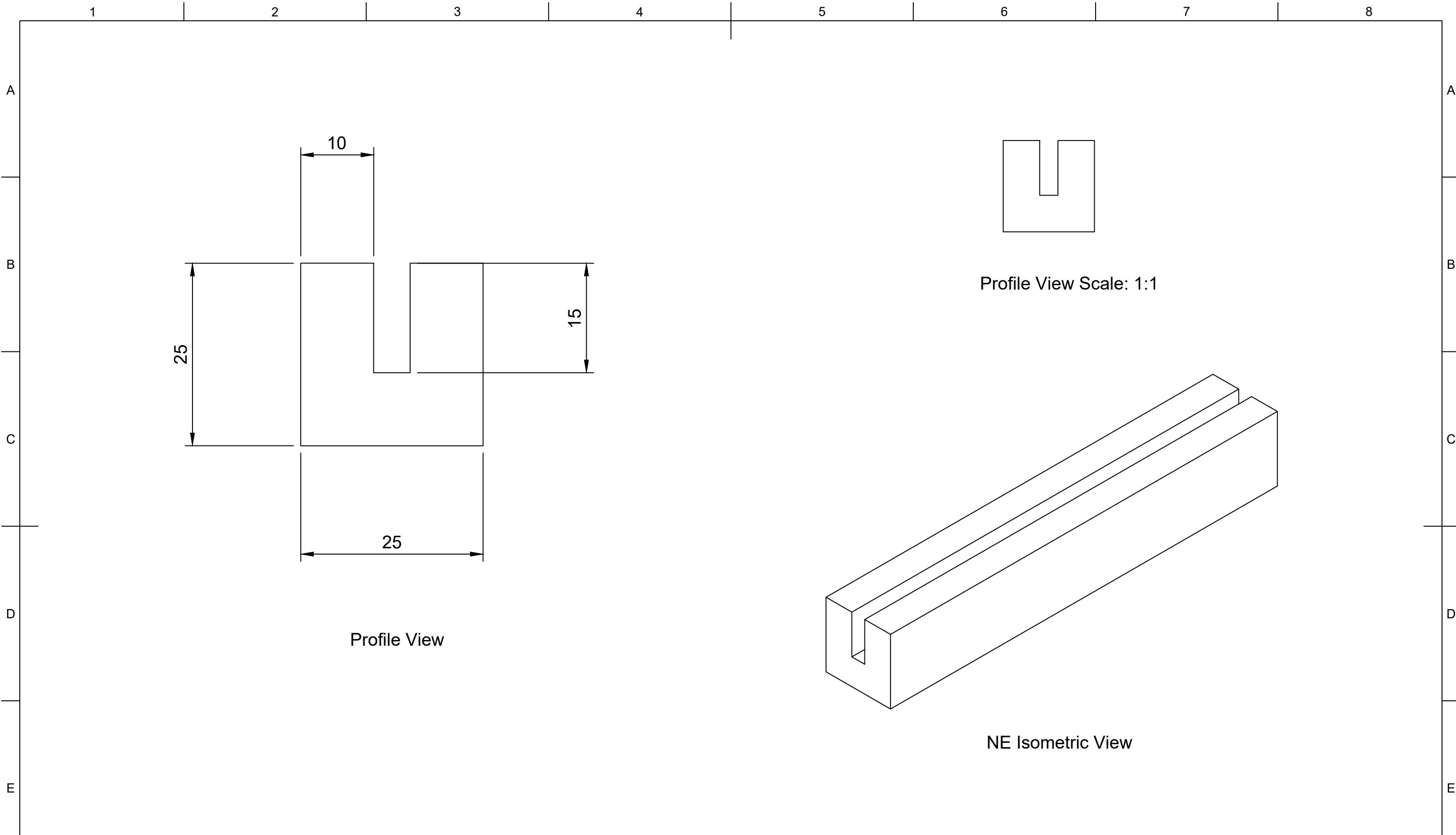
Profile View 10:1

NE Isometric View

	<b>Part Number</b>				<b>Created By</b>		<b>Cross Sectional Area (mm<sup>2</sup>)</b>		<b>Nominal Dimension (mm)</b>		<b>Tolerance, ± (mm)</b>		
	202365				Isaac Erskine		111		<b>Greater Than</b>	<b>Less Than or Equal to</b>			
	<b>Description</b>				<b>Date Drawn</b>		<b>Material</b>		0.00	1.50	0.40		
	U Channel (Square Base, Square Inner)				24/09/2020		EPDM		1.50	2.50	0.50		
	<b>Revision</b>				<b>Approved By</b>		<b>Hardness (Shore A)</b>		2.50	4.00	0.70		
	A	21/02/2022		1:1	A3	1/1	Isaac Erskine		4.00	6.30	0.80		
	<b>Date of Issue</b>		<b>Sheet Scale</b>		<b>Sheet Size</b>		<b>Date of Approval</b>		<b>Colour</b>		6.30	10.00	1.00
	21/02/2022		1:1		A3		21/02/2022		Black		10.00	16.00	1.30
	<b>Projection</b>				<b>Weight (g/m)</b>		3rd Agl.		140		16.00	25.00	1.60
											25.00	40.00	2.00
										40.00	63.00	2.50	
										63.00	100.00	3.20	
										100.00		3.20%	



	<b>Part Number</b>				<b>Created By</b>		<b>Cross Sectional Area (mm<sup>2</sup>)</b>		<b>Nominal Dimension (mm)</b>		<b>Tolerance, ± (mm)</b>
	207031				Isaac Erskine		111		<b>Greater Than</b>	<b>Less Than or Equal to</b>	
	<b>Description</b>				<b>Date Drawn</b>		<b>Material</b>		0.00	1.50	0.40
	U Channel (Square Base, Square Inner)				21/02/2022		Neoprene		1.50	2.50	0.50
	<b>Revision</b>				<b>Approved By</b>		<b>Hardness (Shore A)</b>		2.50	4.00	0.70
	A	21/02/2022		Isaac Erskine		70		4.00	6.30	0.80	
	<b>Date of Issue</b>				<b>Date of Approval</b>		<b>Colour</b>		6.30	10.00	1.00
	21/02/2022				21/02/2022		Black		10.00	16.00	1.30
	<b>Sheet Scale</b>				<b>Projection</b>		<b>Weight (g/m)</b>		16.00	25.00	1.60
	1:1				3rd Agl. 		169		25.00	40.00	2.00
<b>Sheet Size</b>								40.00	63.00	2.50	
A3								63.00	100.00	3.20	
<b>Sheet</b>								100.00		3.20%	
1/1											



<b>WALKERRUBBER</b> LTD	<b>Part Number</b>				<b>Created By</b>		<b>Cross Sectional Area (mm<sup>2</sup>)</b>		<b>Nominal Dimension (mm)</b>		<b>Tolerance, ± (mm)</b>					
	209962				David Stirling		550		<b>Greater Than</b>	<b>Less Than or Equal to</b>						
	<b>Description</b>				<b>Date Drawn</b>		<b>Material</b>		0.00	1.50	0.40					
					20/04/2020		EPDM		1.50	2.50	0.50					
	U Channel (Square Base, Square Inner)				<b>Approved By</b>		<b>Hardness (Shore A)</b>		2.50	4.00	0.70					
					<b>Date of Approval</b>		70		4.00	6.30	0.80					
	<b>Revision</b> A				<b>Date of Issue</b> 18/01/2022		<b>Sheet Scale</b> 2:1		<b>Sheet Size</b> A3		<b>Sheet</b> 1/1		<b>Projection</b>		<b>Weight (g/m)</b>	
													3rd Agl.		693	
									10.00	16.00	1.30					
									16.00	25.00	1.60					
								25.00	40.00	2.00						
								40.00	63.00	2.50						
								63.00	100.00	3.20						
								100.00		3.20%						