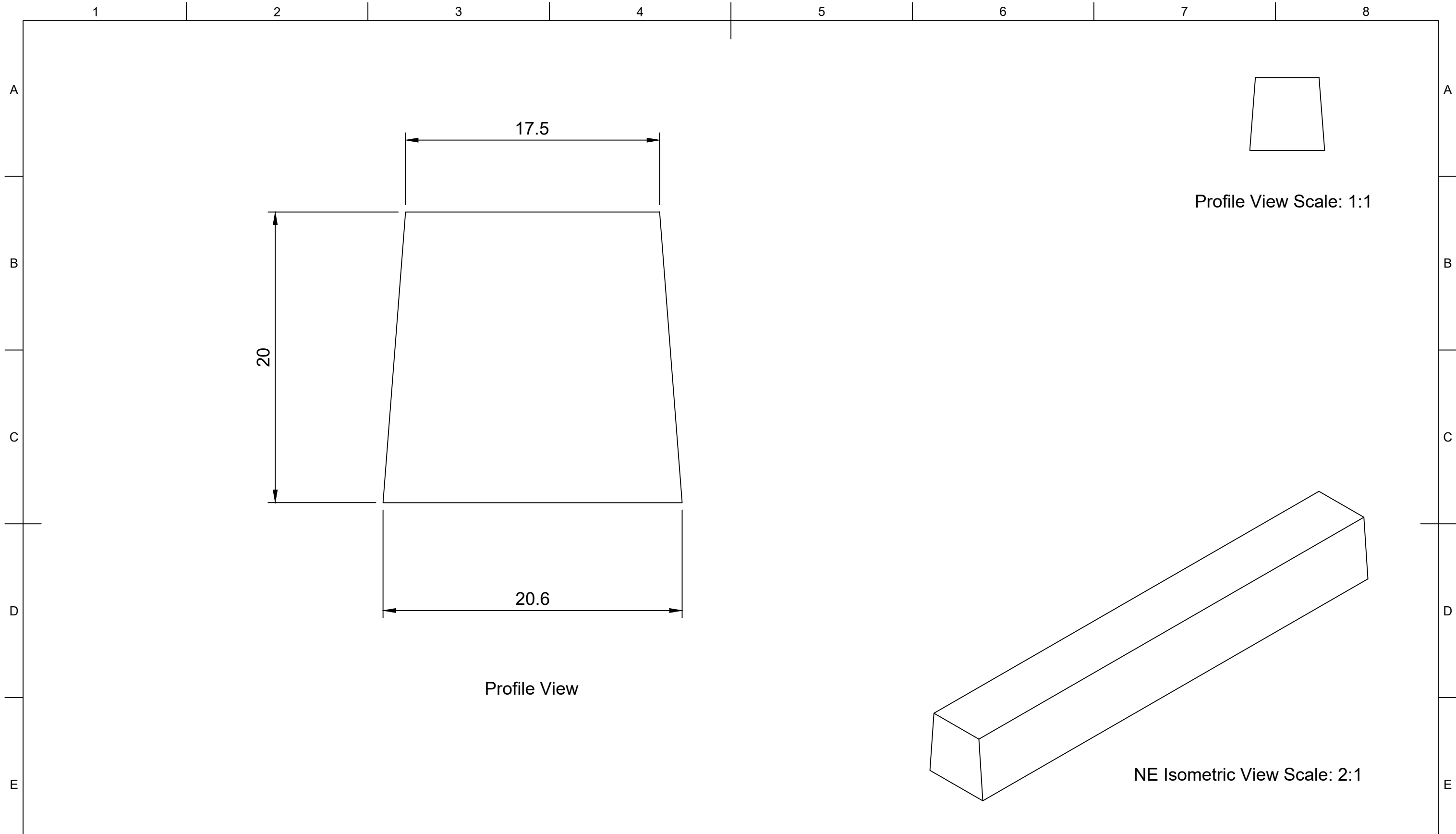

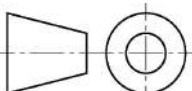
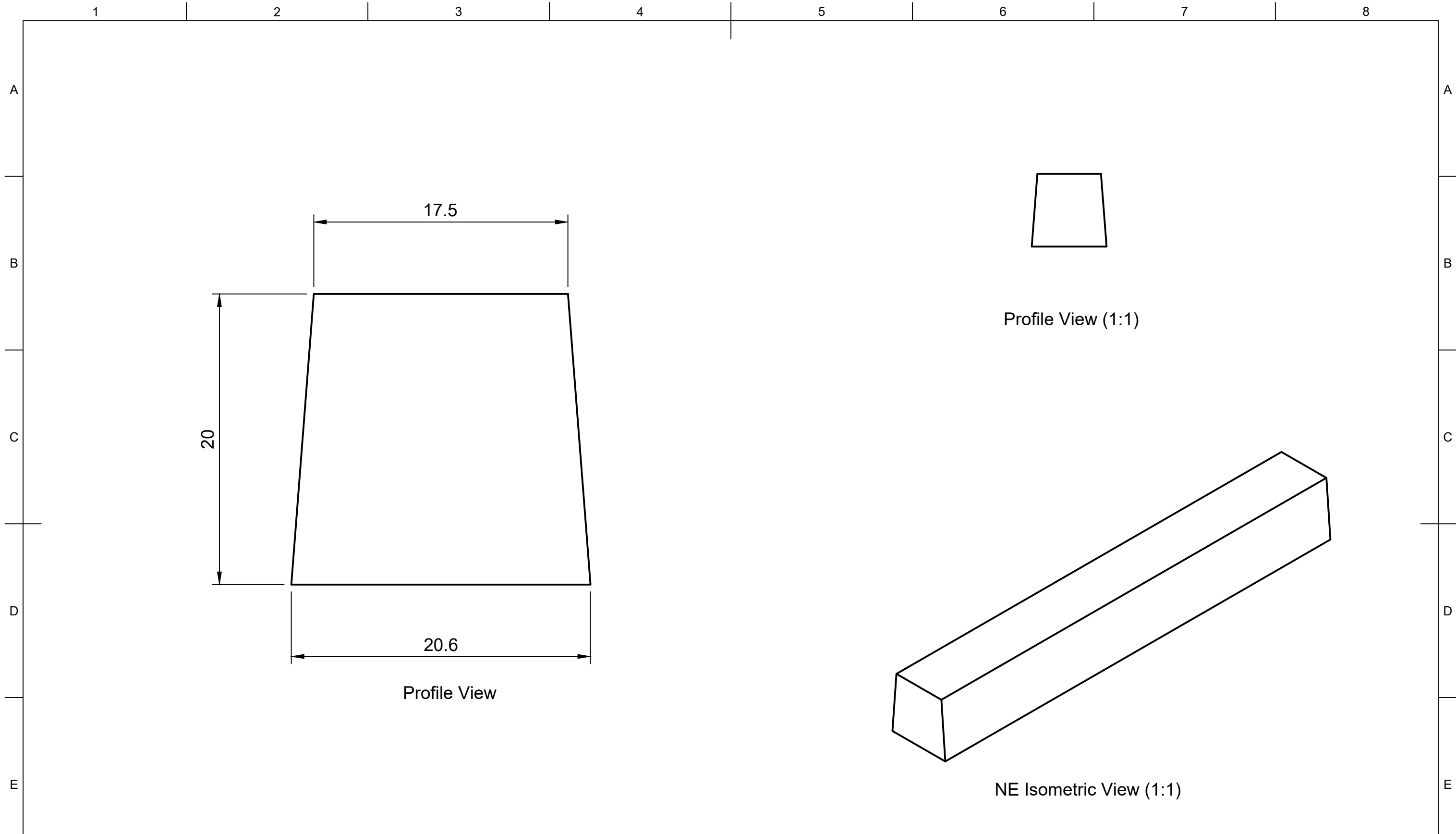



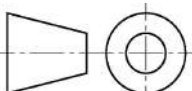


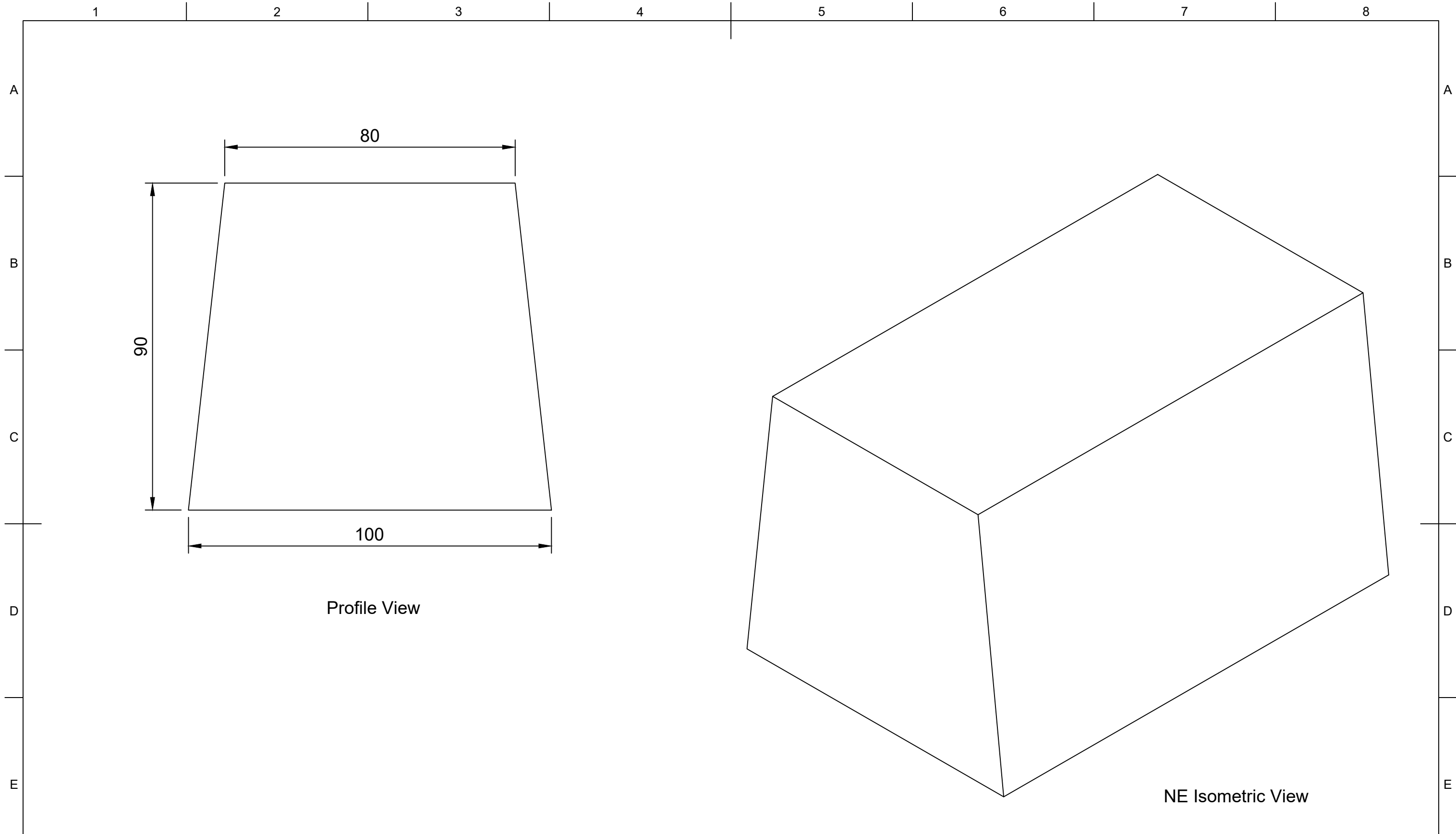
**Trapeziums**


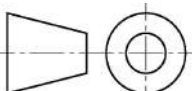


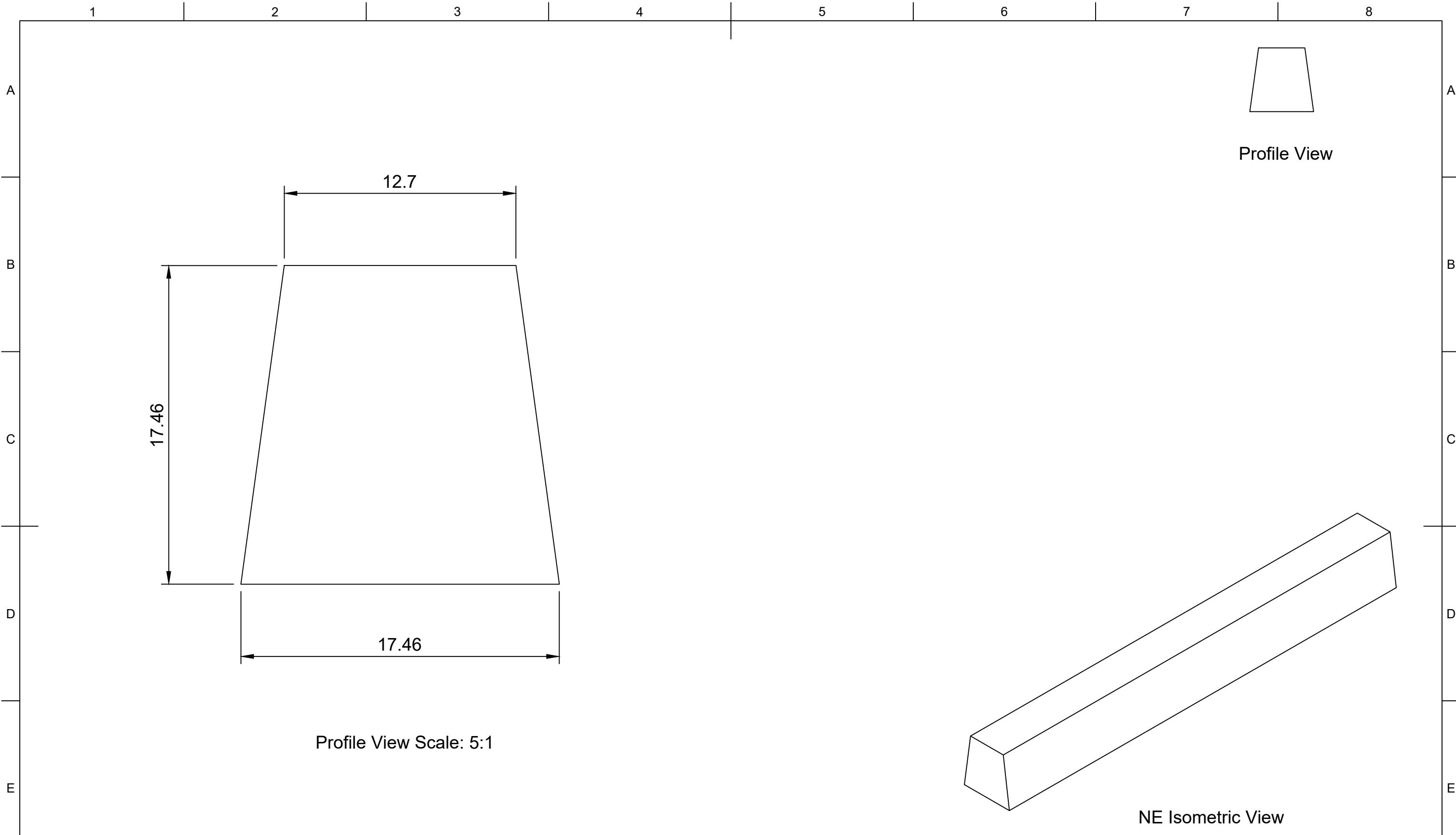
	<b>Part Number</b>				<b>Created By</b>		<b>Cross Sectional Area (mm<sup>2</sup>)</b>		<b>Nominal Dimension (mm)</b>		<b>Tolerance, ± (mm)</b>
	202054				David Stirling		381		<b>Greater Than</b>	<b>Less Than or Equal to</b>	
	<b>Description</b>				<b>Date Drawn</b>		<b>Material</b>				
	Trapezium - Solid				12/04/2020		EPDM				
					<b>Approved By</b>		<b>Hardness (Shore A)</b>				
							70				
					<b>Date of Approval</b>		<b>Colour</b>				
							Black				
					<b>Projection</b>		<b>Weight (g/m)</b>				
					3rd Agl. 		480				
<b>Revision</b>	<b>Date of Issue</b>	<b>Sheet Scale</b>	<b>Sheet Size</b>	<b>Sheet</b>							
A	13/01/2022	4:1	A3	1/1							



	<b>Part Number</b>				<b>Created By</b>		<b>Cross Sectional Area (mm<sup>2</sup>)</b>		<b>Nominal Dimension (mm)</b>		<b>Tolerance, ± (mm)</b>
	202497				David Stirling		381		<b>Greater Than</b>	<b>Less Than or Equal to</b>	
	<b>Description</b>				<b>Date Drawn</b>		<b>Material</b>		0.00	1.50	0.40
					13/01/2022		Nitrile		1.50	2.50	0.50
	Trapezium - Solid				<b>Approved By</b>		<b>Hardness (Shore A)</b>		2.50	4.00	0.70
					<b>Date of Approval</b>		70		4.00	6.30	0.80
							Black		6.30	10.00	1.00
	<b>Revision</b>	<b>Date of Issue</b>	<b>Sheet Scale</b>	<b>Sheet Size</b>	<b>Sheet</b>	<b>Projection</b>	<b>Weight (g/m)</b>		10.00	16.00	1.30
	A	13/01/2022	4:1	A3	1/1	3rd Agl. 	461		16.00	25.00	1.60
									25.00	40.00	2.00
								40.00	63.00	2.50	
								63.00	100.00	3.20	
								100.00		3.20%	



	<b>Part Number</b>				<b>Created By</b>		<b>Cross Sectional Area (mm<sup>2</sup>)</b>		<b>Nominal Dimension (mm)</b>		<b>Tolerance, ± (mm)</b>
	206028				Isaac Erskine		8100		<b>Greater Than</b>	<b>Less Than or Equal to</b>	
	<b>Description</b>				<b>Date Drawn</b>		<b>Material</b>		0.00	1.50	0.40
					28/08/2020		Neoprene		1.50	2.50	0.50
	Trapezium - Solid				<b>Approved By</b>		<b>Hardness (Shore A)</b>		2.50	4.00	0.70
					Isaac Erskine		70		4.00	6.30	0.80
					<b>Date of Approval</b>		<b>Colour</b>		6.30	10.00	1.00
	16/02/2022		Black		10.00	16.00	1.30				
	<b>Revision</b>	<b>Date of Issue</b>	<b>Sheet Scale</b>	<b>Sheet Size</b>	<b>Sheet</b>	<b>Projection</b>	<b>Weight (kg/m)</b>		16.00	25.00	1.60
	A	16/02/2022	1:1	A3	1/1	3rd Agl. 	12.312		25.00	40.00	2.00
								40.00	63.00	2.50	
								63.00	100.00	3.20	
								100.00		3.20%	

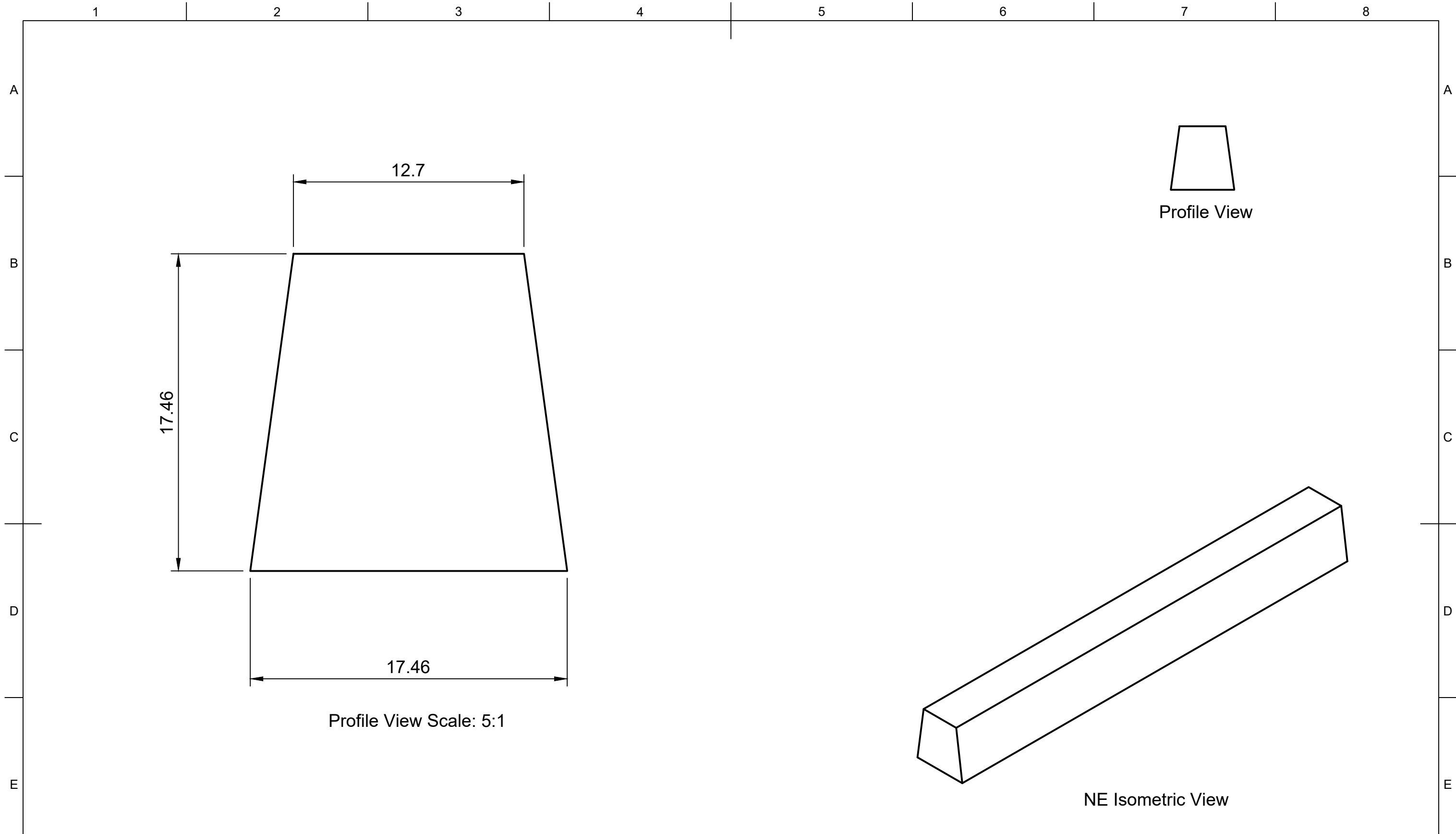



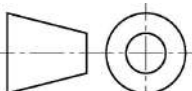
Profile View Scale: 5:1

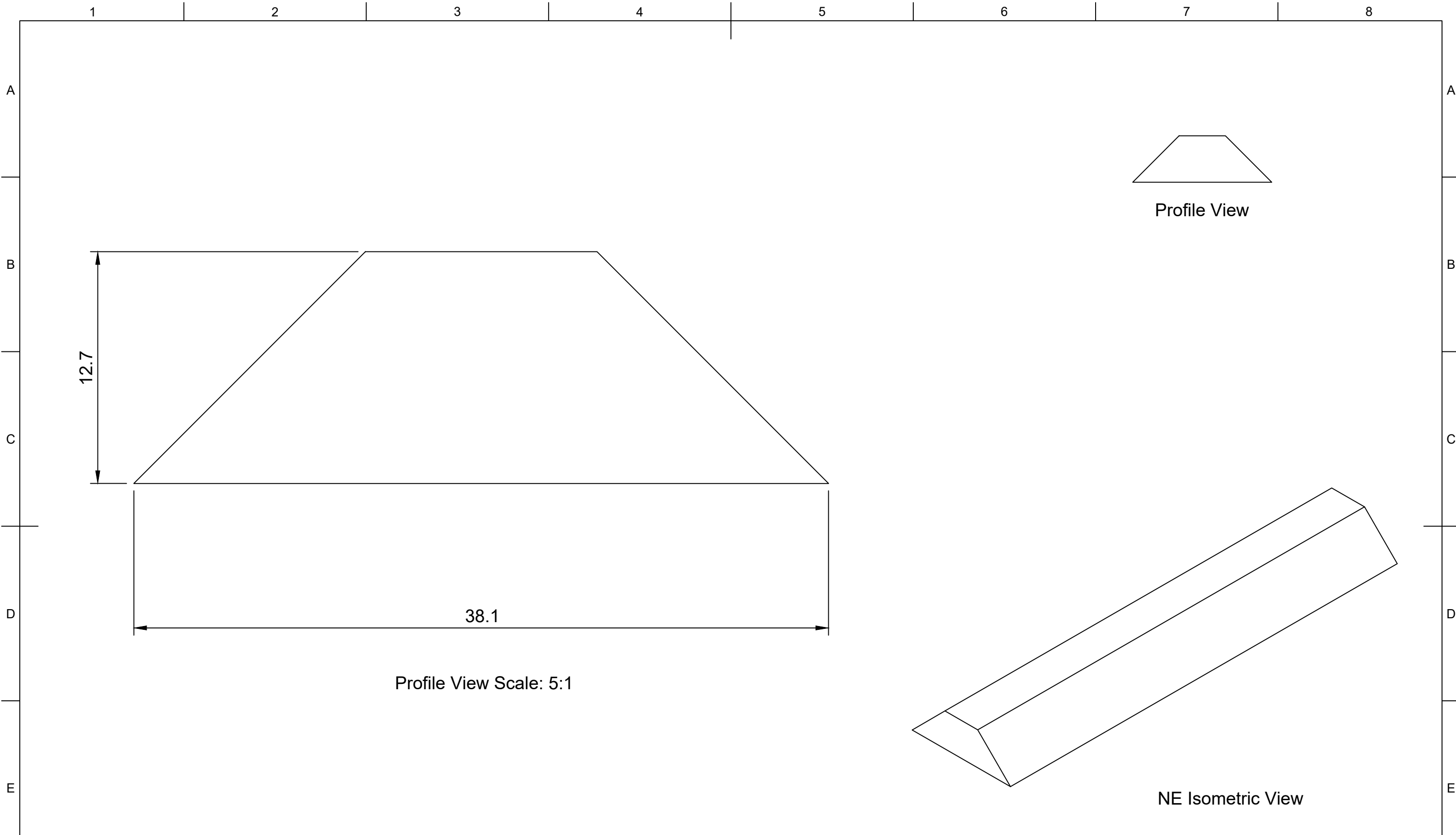
NE Isometric View


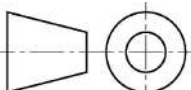


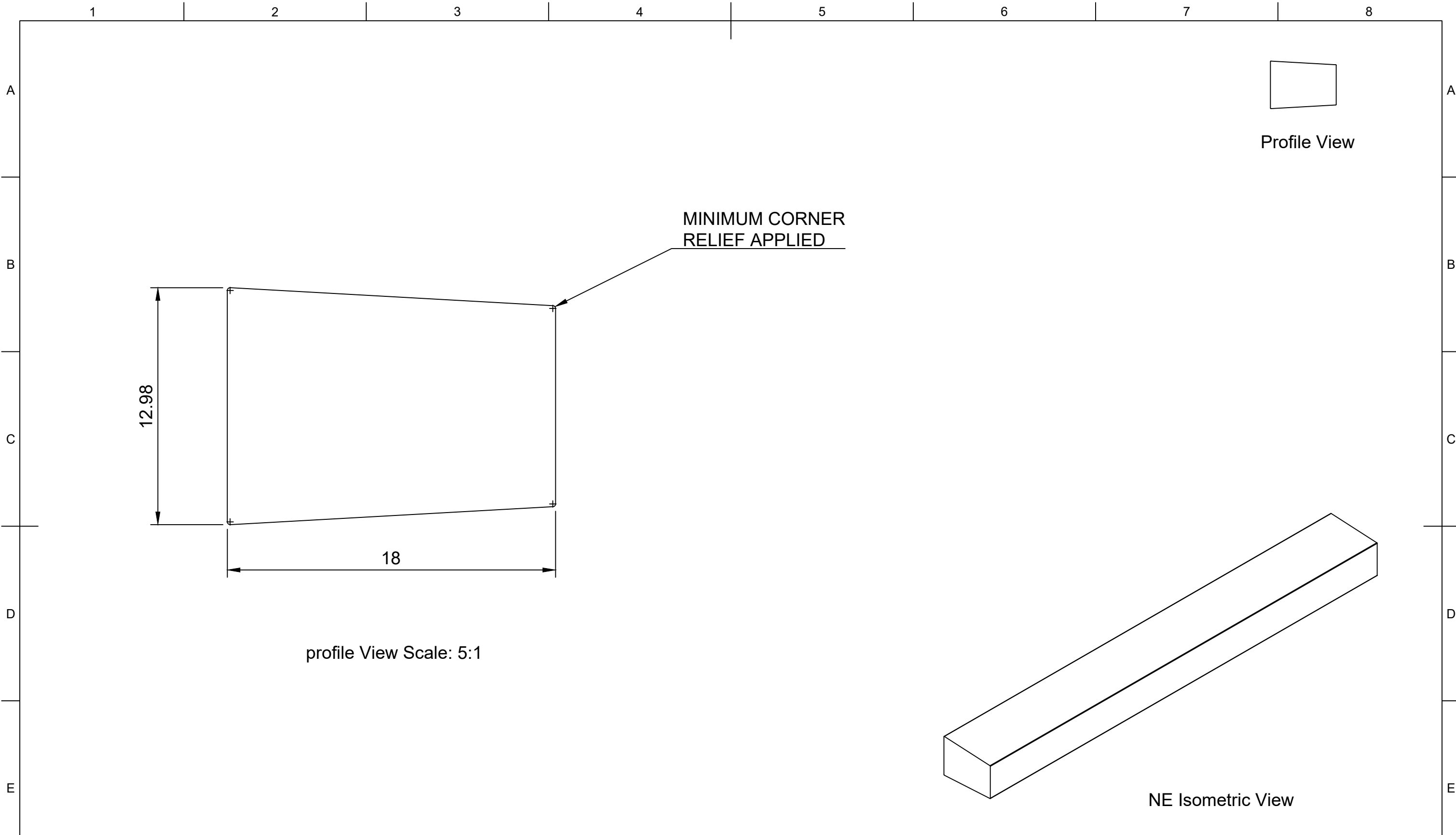
	<b>Part Number</b>				<b>Created By</b>		<b>Cross Sectional Area (mm<sup>2</sup>)</b>		<b>Nominal Dimension (mm)</b>		<b>Tolerance, ± (mm)</b>
	209408				Isaac Erskine		263		<b>Greater Than</b>	<b>Less Than or Equal to</b>	
	<b>Description</b>				<b>Date Drawn</b>		<b>Material</b>		0.00	1.50	0.40
	Trapezium				04/09/2020		EPDM		1.50	2.50	0.50
	<b>Revision</b>				<b>Approved By</b>		<b>Hardness (Shore A)</b>		2.50	4.00	0.70
	A	<b>Date of Issue</b>		<b>Sheet Scale</b>	<b>Sheet Size</b>	<b>Sheet</b>	70		4.00	6.30	0.80
		17/02/2022		1:1	A3	1/1	Date of Approval		6.30	10.00	1.00
							17/02/2022		10.00	16.00	1.30
							<b>Projection</b>		16.00	25.00	1.60
							3rd Agl.		25.00	40.00	2.00
						<b>Weight (g/m)</b>		40.00	63.00	2.50	
						331		63.00	100.00	3.20	
								100.00		3.20%	


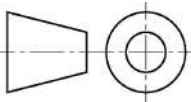


	<b>Part Number</b>				<b>Created By</b>		<b>Cross Sectional Area (mm<sup>2</sup>)</b>		<b>Nominal Dimension (mm)</b>		<b>Tolerance, ± (mm)</b>
	200315				Isaac Erskine		263		<b>Greater Than</b>	<b>Less Than or Equal to</b>	
	<b>Description</b>				<b>Date Drawn</b>		<b>Material</b>		0.00	1.50	0.40
	Trapezium				17/02/2022		Neoprene		1.50	2.50	0.50
	<b>Revision</b>				<b>Approved By</b>		<b>Hardness (Shore A)</b>		2.50	4.00	0.70
	A	Date of Issue		Sheet Scale	Sheet Size	Sheet	Isaac Erskine		4.00	6.30	0.80
		17/02/2022		1:1	A3	1/1	17/02/2022		6.30	10.00	1.00
	<b>Projection</b>				<b>Date of Approval</b>		<b>Colour</b>		10.00	16.00	1.30
	3rd Agl. 				17/02/2022		Black		16.00	25.00	1.60
					<b>Weight (g/m)</b>		400		25.00	40.00	2.00
								40.00	63.00	2.50	
								63.00	100.00	3.20	
								100.00		3.20%	

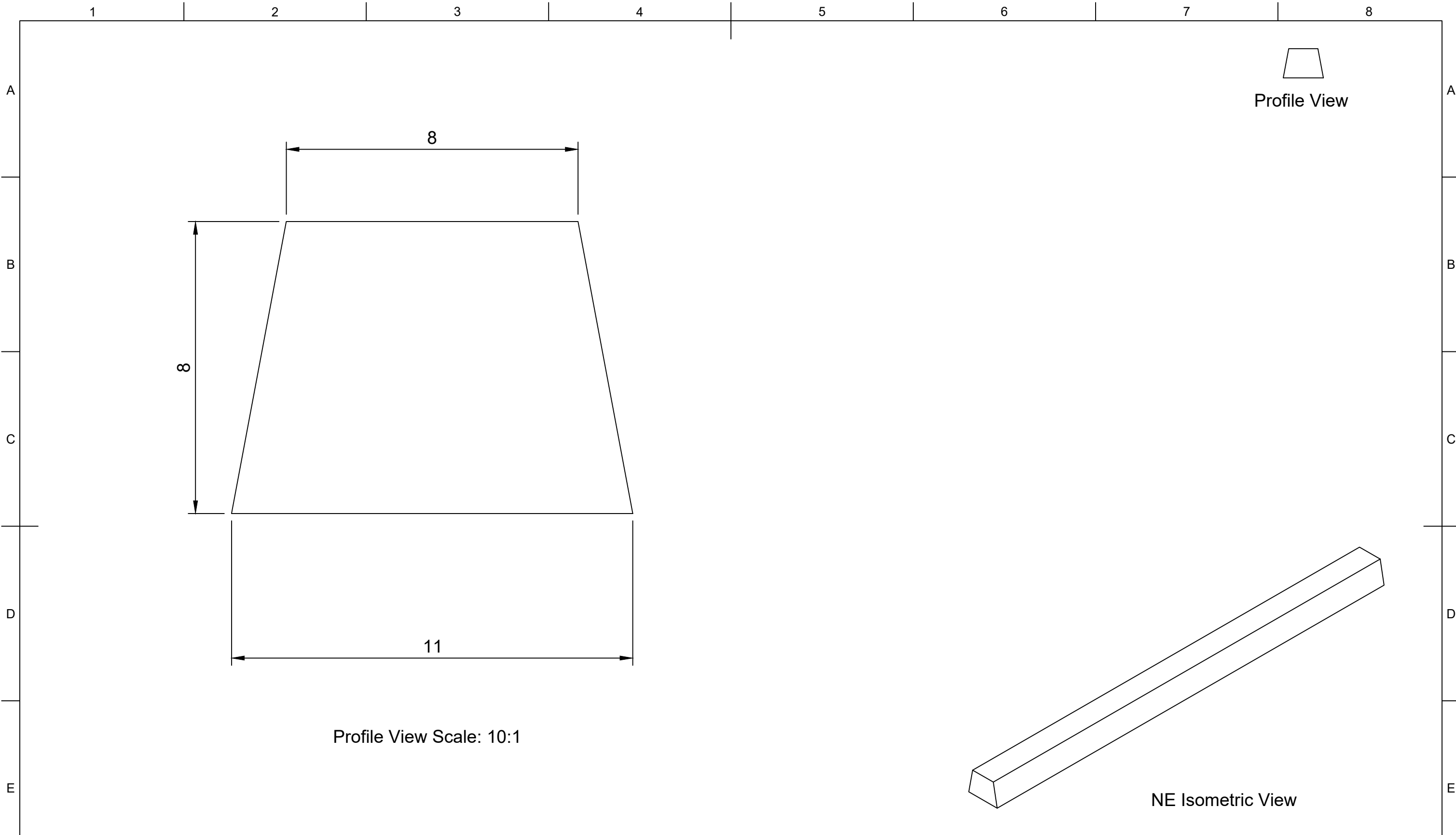



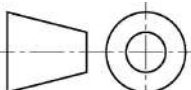
	<b>Part Number</b>				<b>Created By</b>		<b>Cross Sectional Area (mm<sup>2</sup>)</b>		<b>Nominal Dimension (mm)</b>		<b>Tolerance, ± (mm)</b>
	200108				Isaac Erskine		323		<b>Greater Than</b>	<b>Less Than or Equal to</b>	
	<b>Description</b>				<b>Date Drawn</b>		<b>Material</b>		0.00	1.50	0.40
	Trapezium				15/09/2020		Neoprene		1.50	2.50	0.50
	<b>Revision</b>				<b>Approved By</b>		<b>Hardness (Shore A)</b>		2.50	4.00	0.70
	A	17/02/2022		Isaac Erskine		70		4.00	6.30	0.80	
	<b>Date of Issue</b>		<b>Sheet Scale</b>		<b>Date of Approval</b>		<b>Colour</b>		6.30	10.00	1.00
	17/02/2022		1:1		17/02/2022		Black		10.00	16.00	1.30
	<b>Sheet Size</b>		<b>Sheet</b>		<b>Projection</b>		<b>Weight (g/m)</b>		16.00	25.00	1.60
	A3		1/1		3rd Ang. 		491		25.00	40.00	2.00
								40.00	63.00	2.50	
								63.00	100.00	3.20	
								100.00		3.20%	

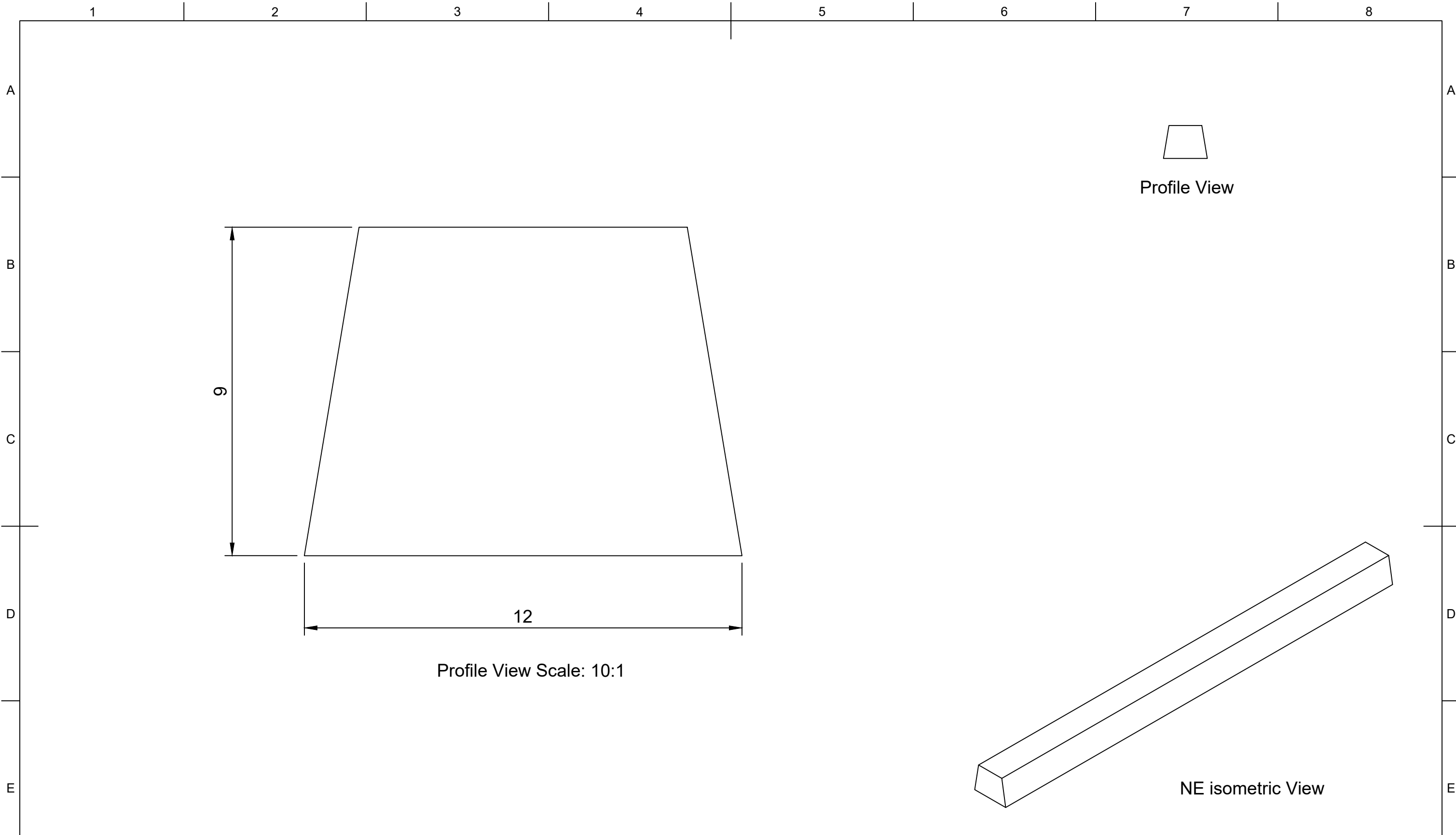


	<b>Part Number</b>				<b>Created By</b>		<b>Cross Sectional Area (mm<sup>2</sup>)</b>		<b>Nominal Dimension (mm)</b>		<b>Tolerance, ± (mm)</b>
	207989				Isaac Erskine		216		<b>Greater Than</b>	<b>Less Than or Equal to</b>	
					Date Drawn		Material		0.00	1.50	0.40
					15/09/2020		EPDM		1.50	2.50	0.50
	<b>Description</b>				<b>Approved By</b>		<b>Hardness (Shore A)</b>		2.50	4.00	0.70
	Trapezium				Isaac Erskine		70		4.00	6.30	0.80
					Date of Approval		Colour		6.30	10.00	1.00
					17/02/2022		Black		10.00	16.00	1.30
									16.00	25.00	1.60
									25.00	40.00	2.00
<b>Revision</b>	<b>Date of Issue</b>	<b>Sheet Scale</b>	<b>Sheet Size</b>	<b>Sheet</b>	<b>Projection</b>	<b>Weight (g/m)</b>		40.00	63.00	2.50	
A	17/02/2022	1:1	A3	1/1	3rd Agl. 	272		63.00	100.00	3.20	
								100.00		3.20%	




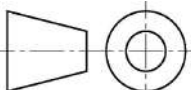


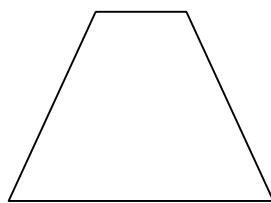
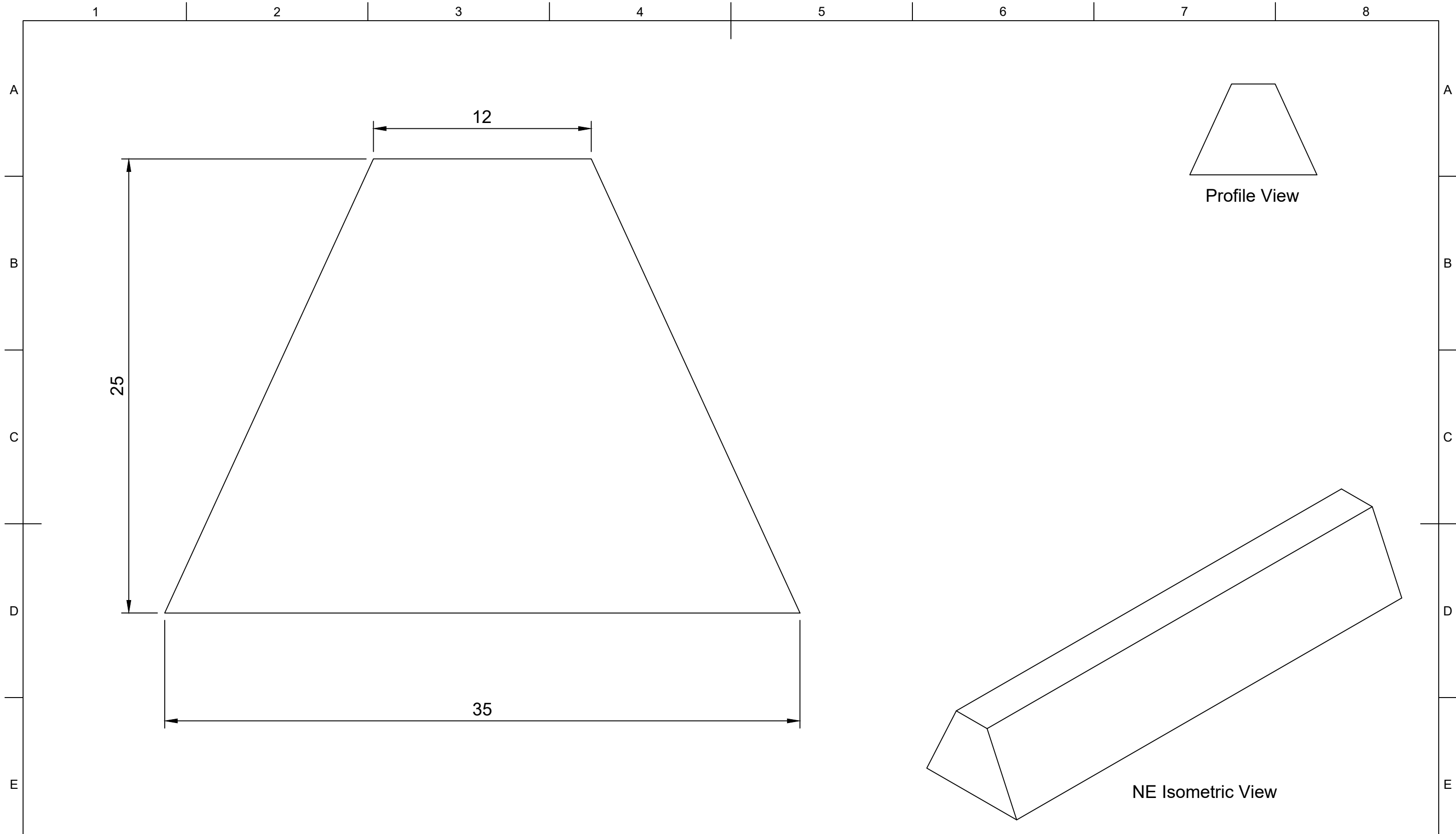
	<b>Part Number</b>				<b>Created By</b>		<b>Cross Sectional Area (mm<sup>2</sup>)</b>		<b>Nominal Dimension (mm)</b>		<b>Tolerance, ± (mm)</b>
	208769				Isaac Erskine		76		<b>Greater Than</b>	<b>Less Than or Equal to</b>	
	<b>Description</b>				<b>Date Drawn</b>		<b>Material</b>		0.00	1.50	0.40
	Trapezium				16/09/2020		EPDM		1.50	2.50	0.50
	<b>Revision</b>				<b>Approved By</b>		<b>Hardness (Shore A)</b>		2.50	4.00	0.70
	A	<b>Date of Issue</b>			Isaac Erskine		70		4.00	6.30	0.80
		17/02/2022			17/02/2022		<b>Colour</b>		6.30	10.00	1.00
		<b>Sheet Scale</b>			<b>Date of Approval</b>		Black		10.00	16.00	1.30
		1:1			17/02/2022		<b>Weight (g/m)</b>		16.00	25.00	1.60
		<b>Sheet Size</b>			<b>Projection</b>		96		25.00	40.00	2.00
	A3			3rd Agl. 				40.00	63.00	2.50	
	1/1							63.00	100.00	3.20	
								100.00		3.20%	



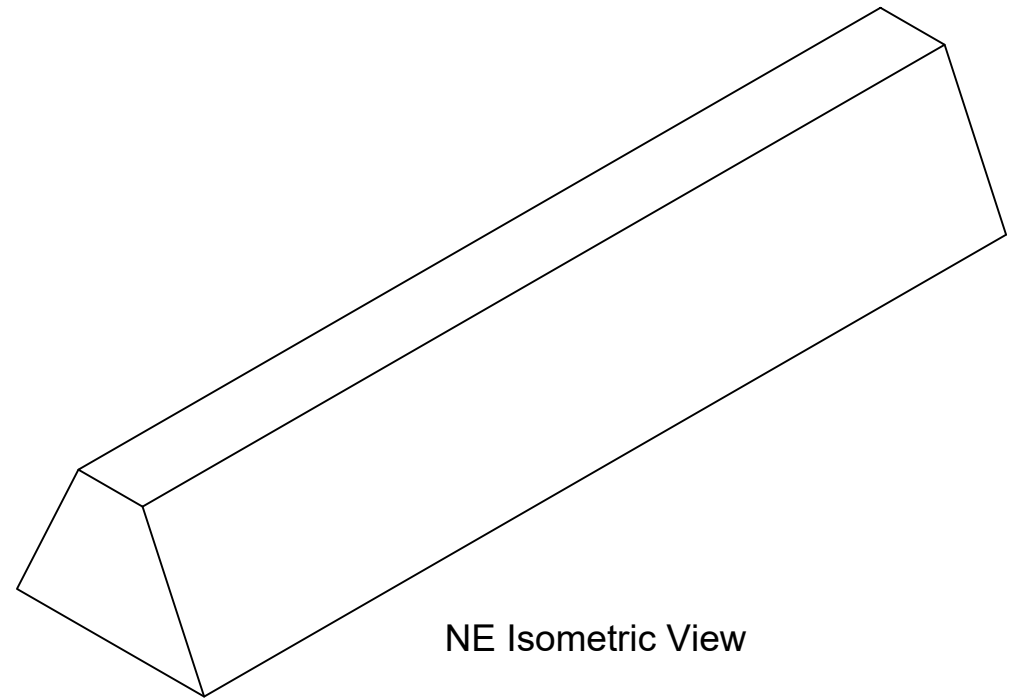
Profile View Scale: 10:1

NE isometric View


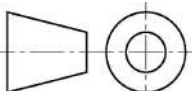
	<b>Part Number</b>				<b>Created By</b>		<b>Cross Sectional Area (mm<sup>2</sup>)</b>		<b>Nominal Dimension (mm)</b>		<b>Tolerance, ± (mm)</b>	
	202420				Isaac Erskine		95		<b>Greater Than</b>	<b>Less Than or Equal to</b>		
	<b>Description</b>				<b>Date Drawn</b>		<b>Material</b>		0.00		0.40	
	Trapezium				16/09/2020		EPDM		1.50		0.50	
	<b>Revision</b>				<b>Approved By</b>		<b>Hardness (Shore A)</b>		2.50		0.70	
	A	<b>Date of Issue</b>		<b>Sheet Scale</b>		Isaac Erskine		<b>Colour</b>		4.00		0.80
		01/03/2022		1:1		01/03/2022		Black		6.30		1.00
				A3		<b>Projection</b>		<b>Weight (g/m)</b>		10.00		1.30
				1/1		3rd Agl. 		120		16.00		1.60
										25.00		2.00
									40.00		2.50	
									63.00		3.20	
									100.00		3.20%	

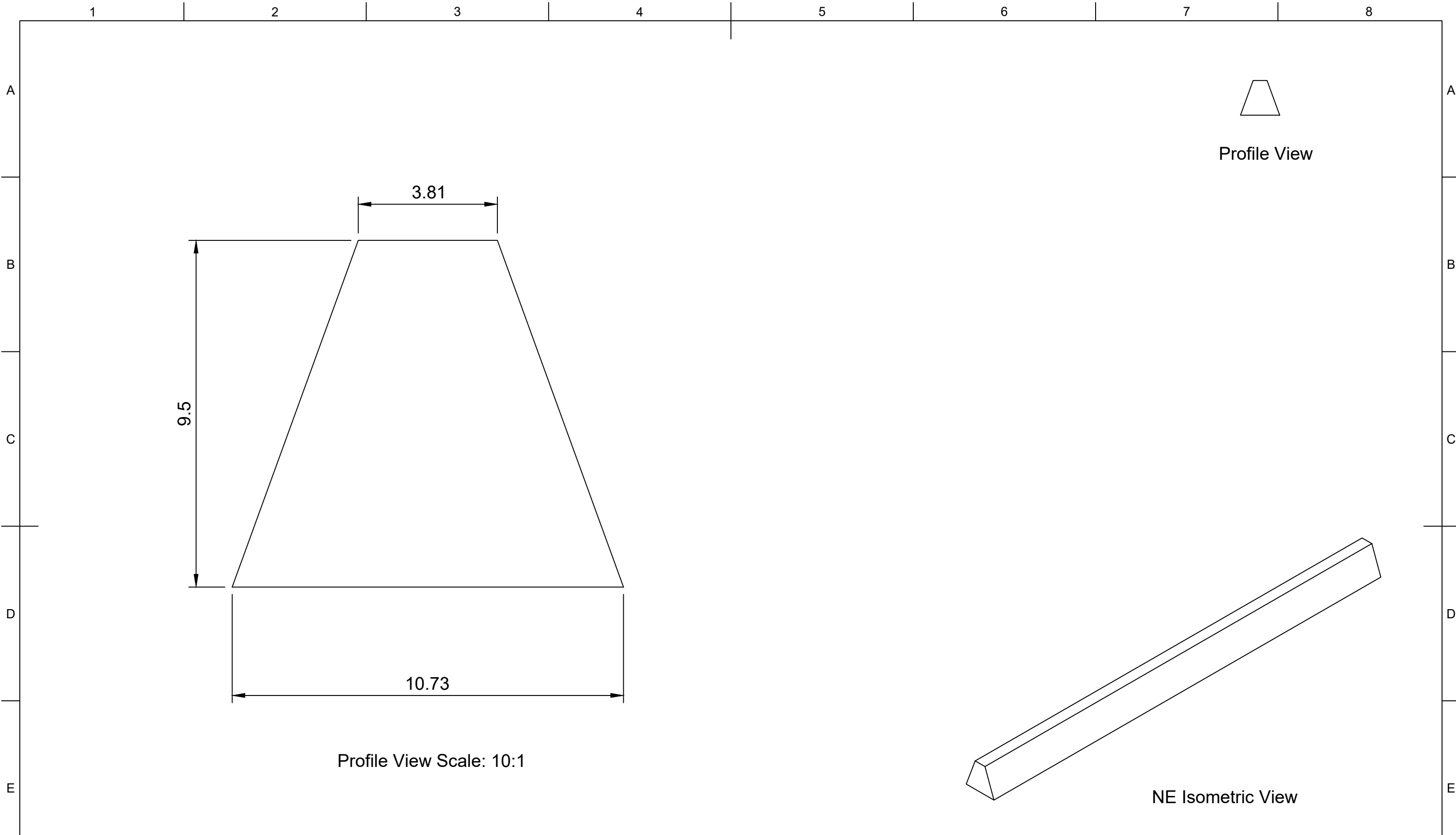



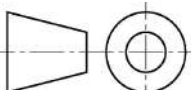
Profile View

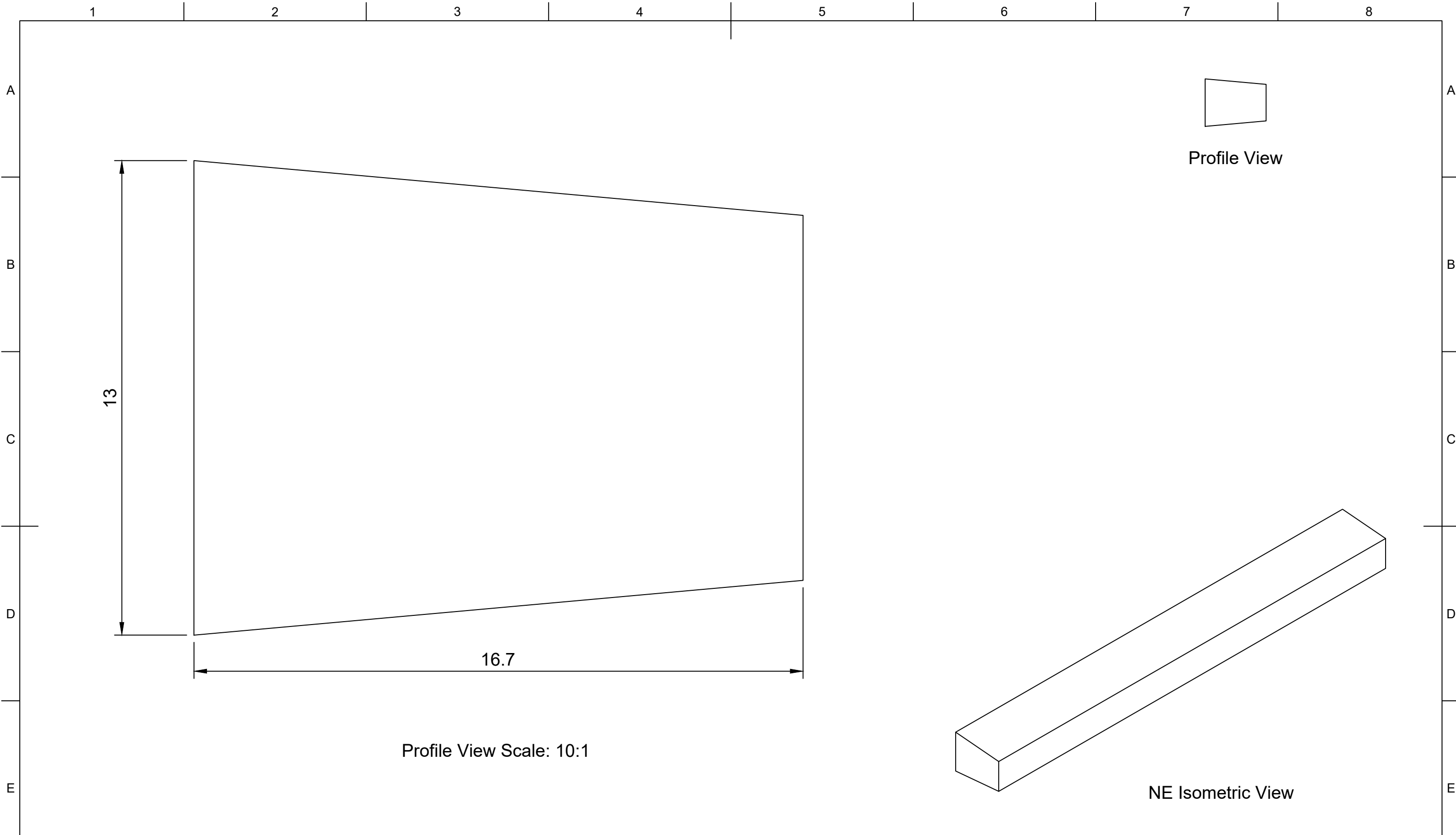



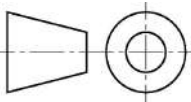
NE Isometric View

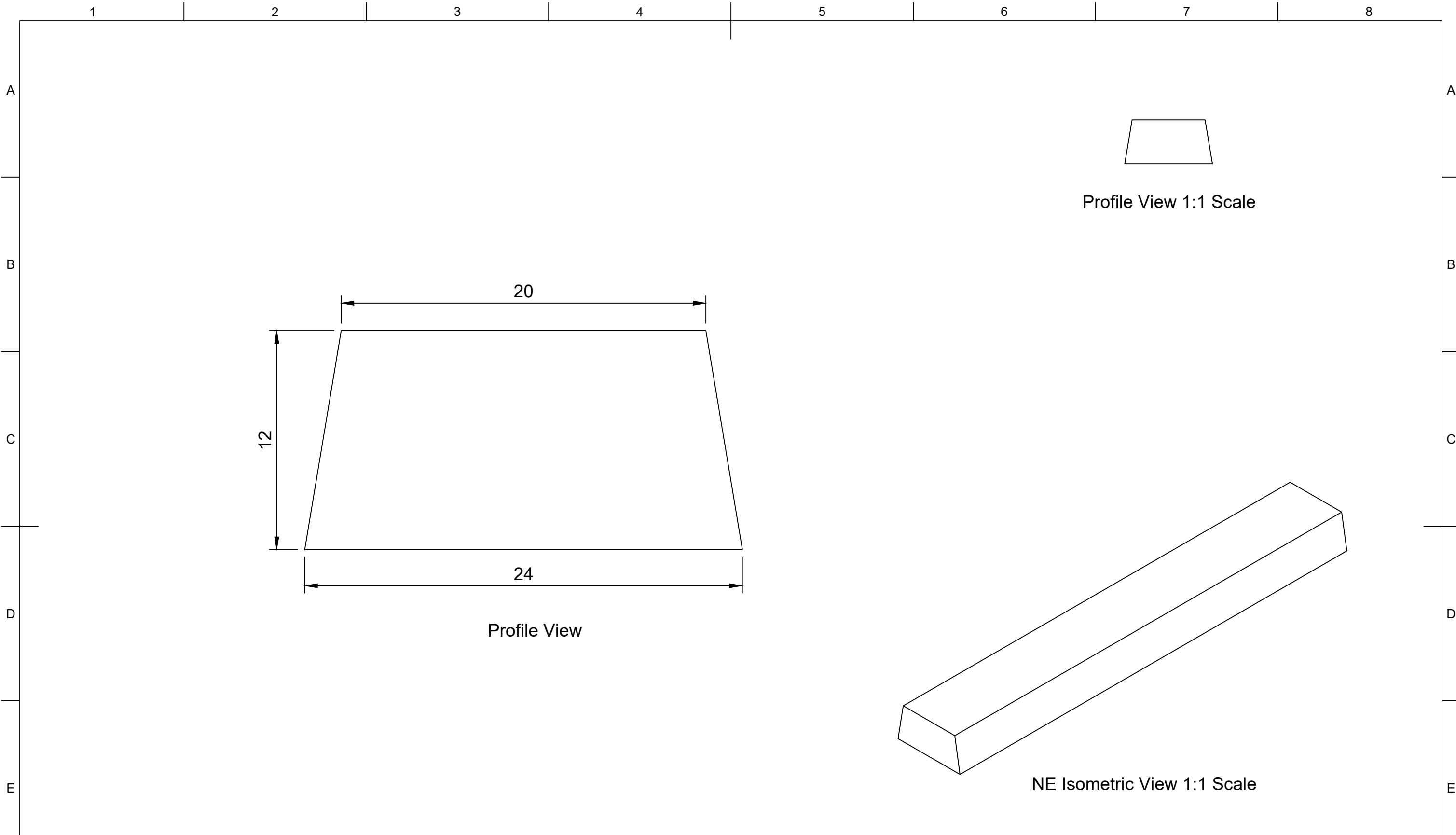
	<b>Part Number</b>				<b>Created By</b>		<b>Cross Sectional Area (mm<sup>2</sup>)</b>		<b>Nominal Dimension (mm)</b>		<b>Tolerance, ± (mm)</b>
	203648				Isaac Erskine		588		<b>Greater Than</b>	<b>Less Than or Equal to</b>	
	<b>Description</b>				<b>Date Drawn</b>		<b>Material</b>		0.00	1.50	0.40
	Trapezium				16/09/2020		EPDM		1.50	2.50	0.50
	<b>Revision</b>				<b>Approved By</b>		<b>Hardness (Shore A)</b>		2.50	4.00	0.70
	A	01/03/2022		Isaac Erskine		70		4.00	6.30	0.80	
	<b>Date of Issue</b>		<b>Sheet Scale</b>		<b>Date of Approval</b>		<b>Colour</b>		6.30	10.00	1.00
	01/03/2022		1:1		01/03/2022		Black		10.00	16.00	1.30
	<b>Sheet Size</b>		<b>Sheet</b>		<b>Projection</b>		<b>Weight (g/m)</b>		16.00	25.00	1.60
	A3		1/1		3rd Agl. 		741		25.00	40.00	2.00
								40.00	63.00	2.50	
								63.00	100.00	3.20	
								100.00		3.20%	



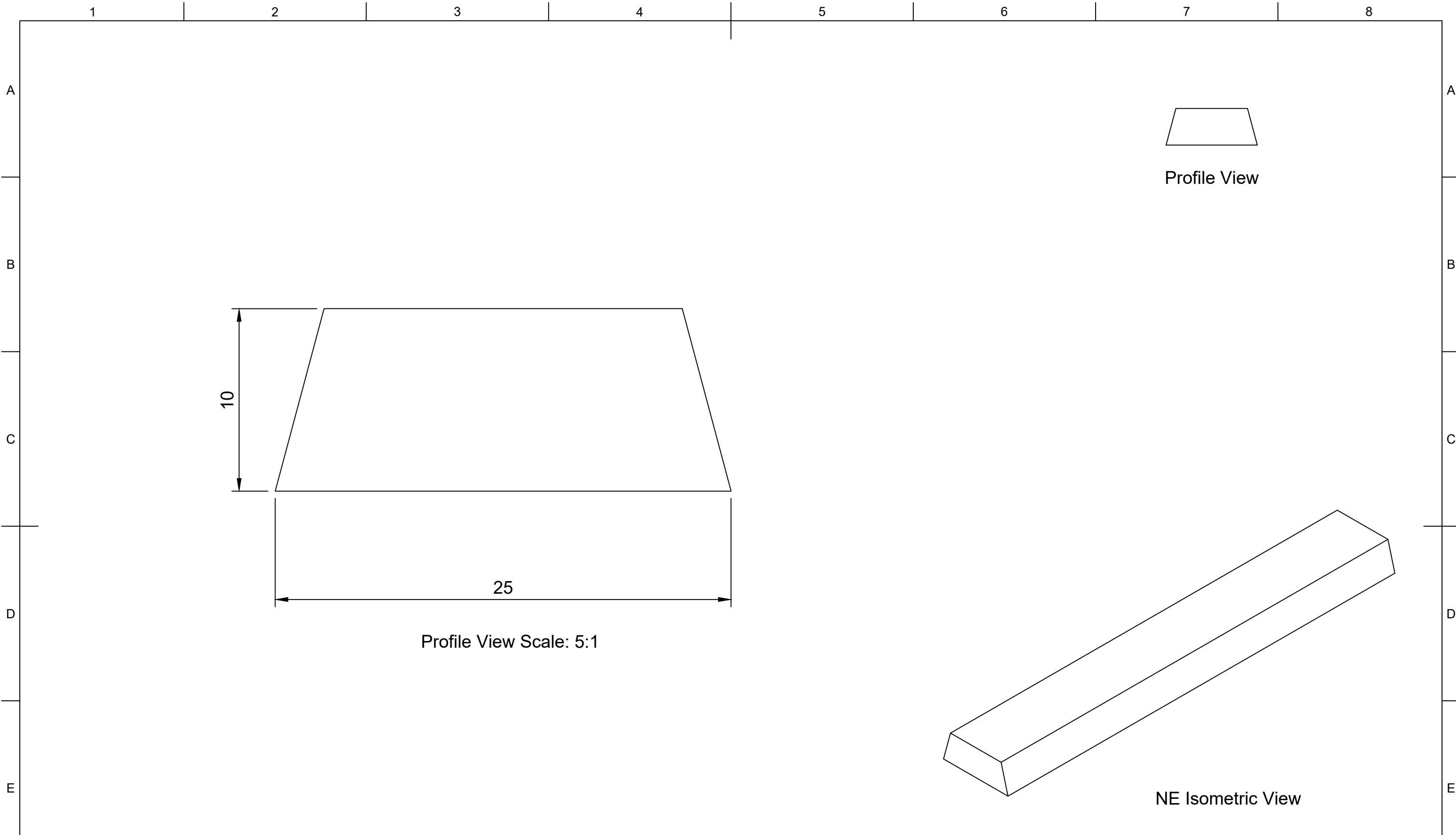
	<b>Part Number</b>				<b>Created By</b>		<b>Cross Sectional Area (mm<sup>2</sup>)</b>		<b>Nominal Dimension (mm)</b>		<b>Tolerance, ± (mm)</b>
	208122				Isaac Erskine		69		<b>Greater Than</b>	<b>Less Than or Equal to</b>	
	<b>Description</b>				<b>Date Drawn</b>		<b>Material</b>		0.00	1.50	0.40
	Trapezium				17/09/2020		Neoprene		1.50	2.50	0.50
	<b>Revision</b>				<b>Approved By</b>		<b>Hardness (Shore A)</b>		2.50	4.00	0.70
	A	01/03/2022		Isaac Erskine		70		4.00	6.30	0.80	
	<b>Date of Issue</b>		<b>Sheet Scale</b>		<b>Date of Approval</b>		<b>Colour</b>		6.30	10.00	1.00
	1:1		A3		01/03/2022		Black		10.00	16.00	1.30
	<b>Sheet Size</b>		<b>Sheet</b>		<b>Projection</b>		<b>Weight (g/m)</b>		16.00	25.00	1.60
	A3		1/1		3rd Agl. 		105		25.00	40.00	2.00
								40.00	63.00	2.50	
								63.00	100.00	3.20	
								100.00		3.20%	


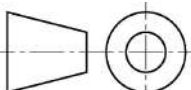


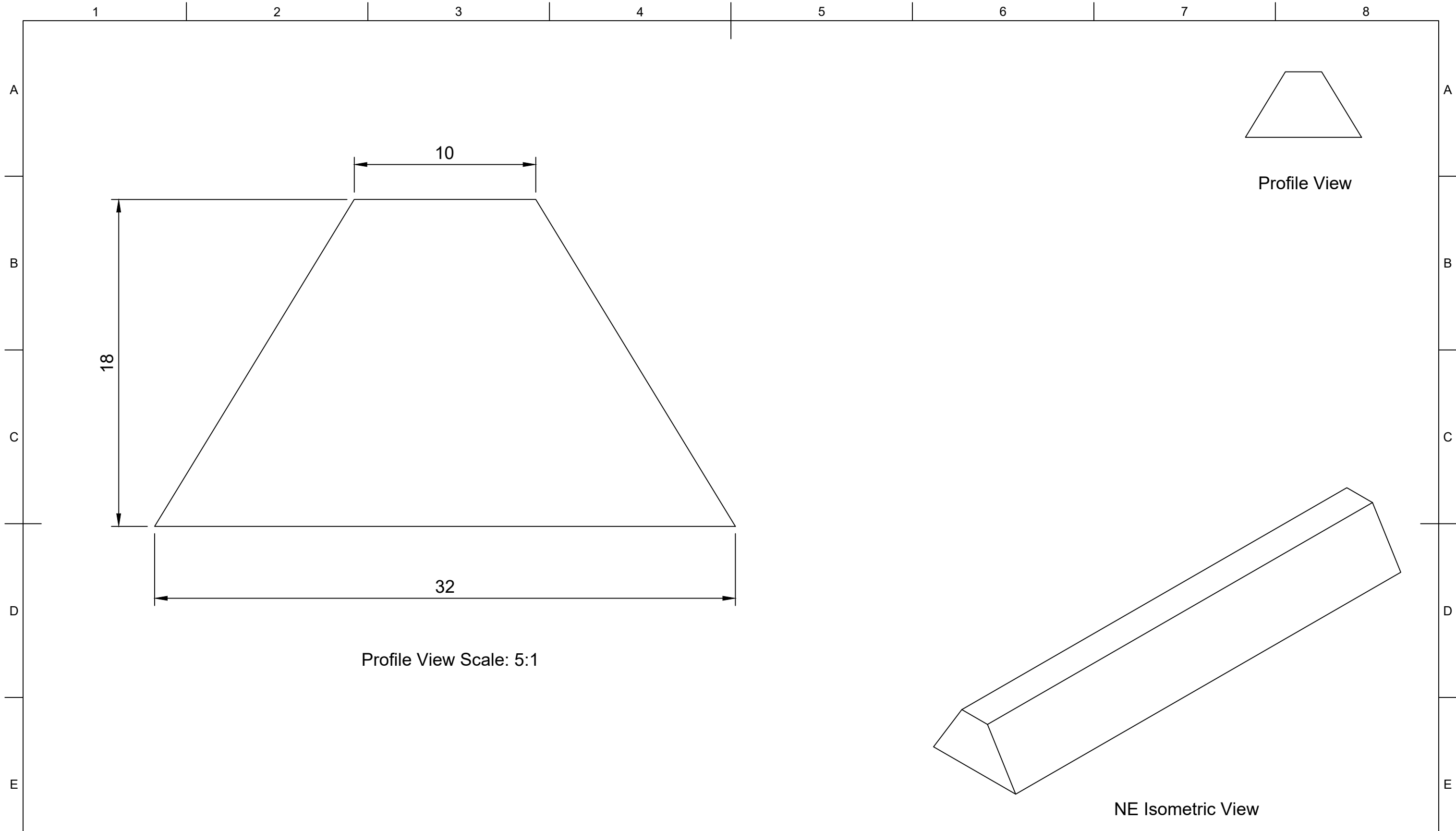
	<b>Part Number</b>				<b>Created By</b>		<b>Cross Sectional Area (mm<sup>2</sup>)</b>		<b>Nominal Dimension (mm)</b>		<b>Tolerance, ± (mm)</b>
	202872				Isaac Erskine		192		<b>Greater Than</b>	<b>Less Than or Equal to</b>	
					Date Drawn		Material		0.00	1.50	0.40
					17/09/2020		EPDM		1.50	2.50	0.50
					2.50		4.00		2.50	4.00	0.70
					4.00		6.30		4.00	6.30	0.80
					6.30		10.00		6.30	10.00	1.00
					10.00		16.00		10.00	16.00	1.30
					16.00		25.00		16.00	25.00	1.60
					25.00		40.00		25.00	40.00	2.00
				40.00		63.00		40.00	63.00	2.50	
				63.00		100.00		63.00	100.00	3.20	
				100.00				100.00		3.20%	
<b>Revision</b>	<b>Date of Issue</b>		<b>Sheet Scale</b>	<b>Sheet Size</b>	<b>Sheet</b>	<b>Projection</b>		<b>Weight (g/m)</b>			
A	01/03/2022		1:1	A3	1/1	3rd Ang. 		242			


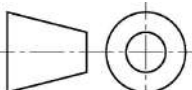


	<b>Part Number</b>				<b>Created By</b>		<b>Cross Sectional Area (mm<sup>2</sup>)</b>		<b>Nominal Dimension (mm)</b>		<b>Tolerance, ± (mm)</b>
	205013				Isaac Erskine		264		<b>Greater Than</b>	<b>Less Than or Equal to</b>	
	<b>Description</b>				<b>Date Drawn</b>		<b>Material</b>		0.00	1.50	0.40
	Trapezium				04/08/2020		EPDM		1.50	2.50	0.50
	<b>Revision</b>				<b>Approved By</b>		<b>Hardness (Shore A)</b>		2.50	4.00	0.70
	A	Date of Issue		Sheet Scale	Sheet Size	Sheet	Isaac Erskine		4.00	6.30	0.80
		01/03/2022		5:1	A3	1/1	Date of Approval		6.30	10.00	1.00
							01/03/2022		10.00	16.00	1.30
							<b>Projection</b>		16.00	25.00	1.60
							3rd Agl.		25.00	40.00	2.00
						<b>Weight (g/m)</b>		40.00	63.00	2.50	
						333		63.00	100.00	3.20	
								100.00		3.20%	

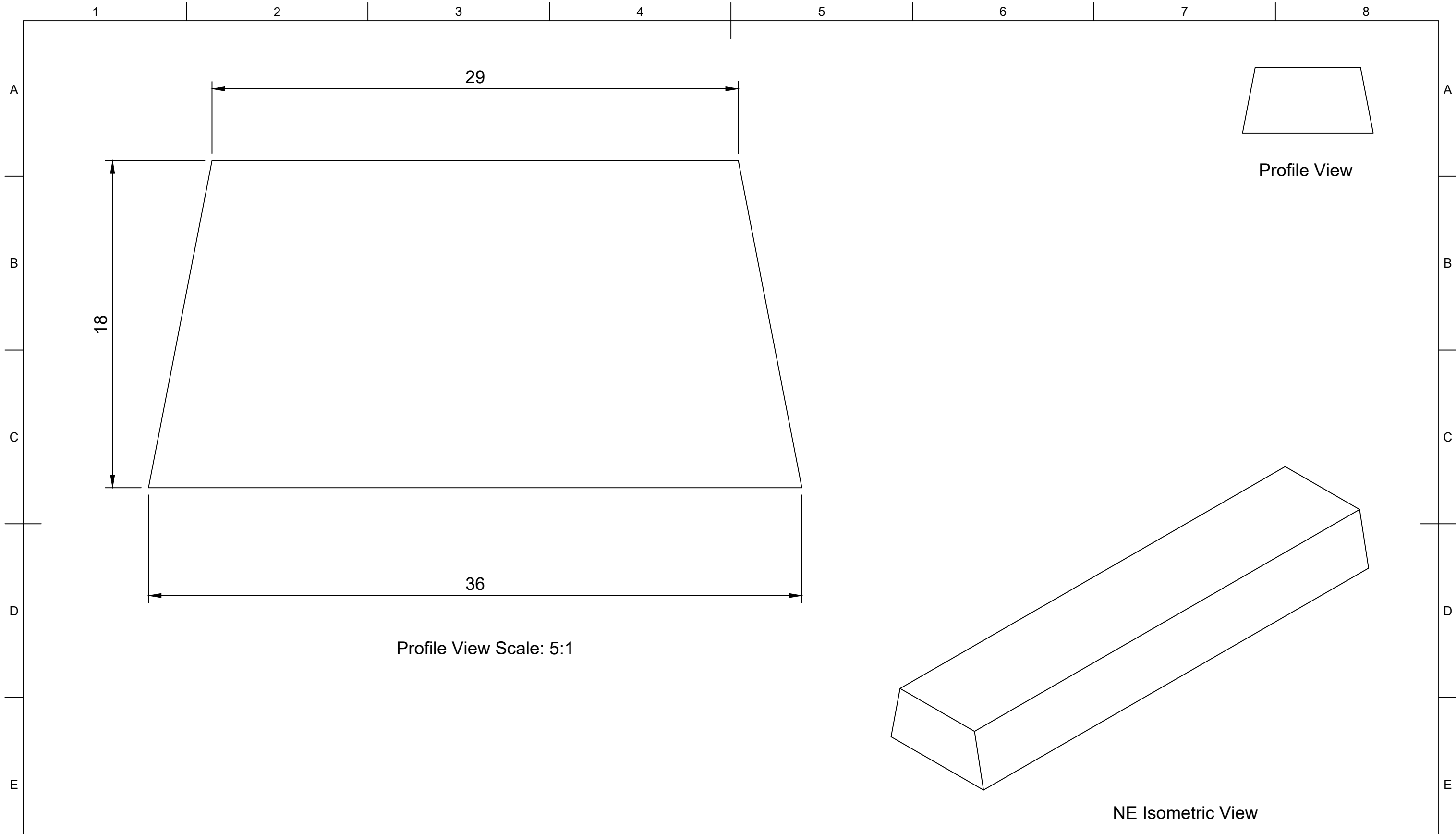



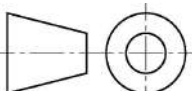
	<b>Part Number</b>				<b>Created By</b>		<b>Cross Sectional Area (mm<sup>2</sup>)</b>		<b>Nominal Dimension (mm)</b>		<b>Tolerance, ± (mm)</b>
	202151				Isaac Erskine		223		<b>Greater Than</b>	<b>Less Than or Equal to</b>	
	<b>Description</b>				<b>Date Drawn</b>		<b>Material</b>		0.00	1.50	0.40
	Trapezium				17/09/2020		Neoprene		1.50	2.50	0.50
	<b>Revision</b>				<b>Approved By</b>		<b>Hardness (Shore A)</b>		2.50	4.00	0.70
	A	01/03/2022		Isaac Erskine		70		4.00	6.30	0.80	
	<b>Date of Issue</b>		<b>Sheet Scale</b>		<b>Date of Approval</b>		<b>Colour</b>		6.30	10.00	1.00
	01/03/2022		1:1		01/03/2022		Black		10.00	16.00	1.30
	<b>Sheet Size</b>		<b>Sheet</b>		<b>Projection</b>		<b>Weight (g/m)</b>		16.00	25.00	1.60
	A3		1/1		3rd Agl. 		339		25.00	40.00	2.00
								40.00	63.00	2.50	
								63.00	100.00	3.20	
								100.00		3.20%	

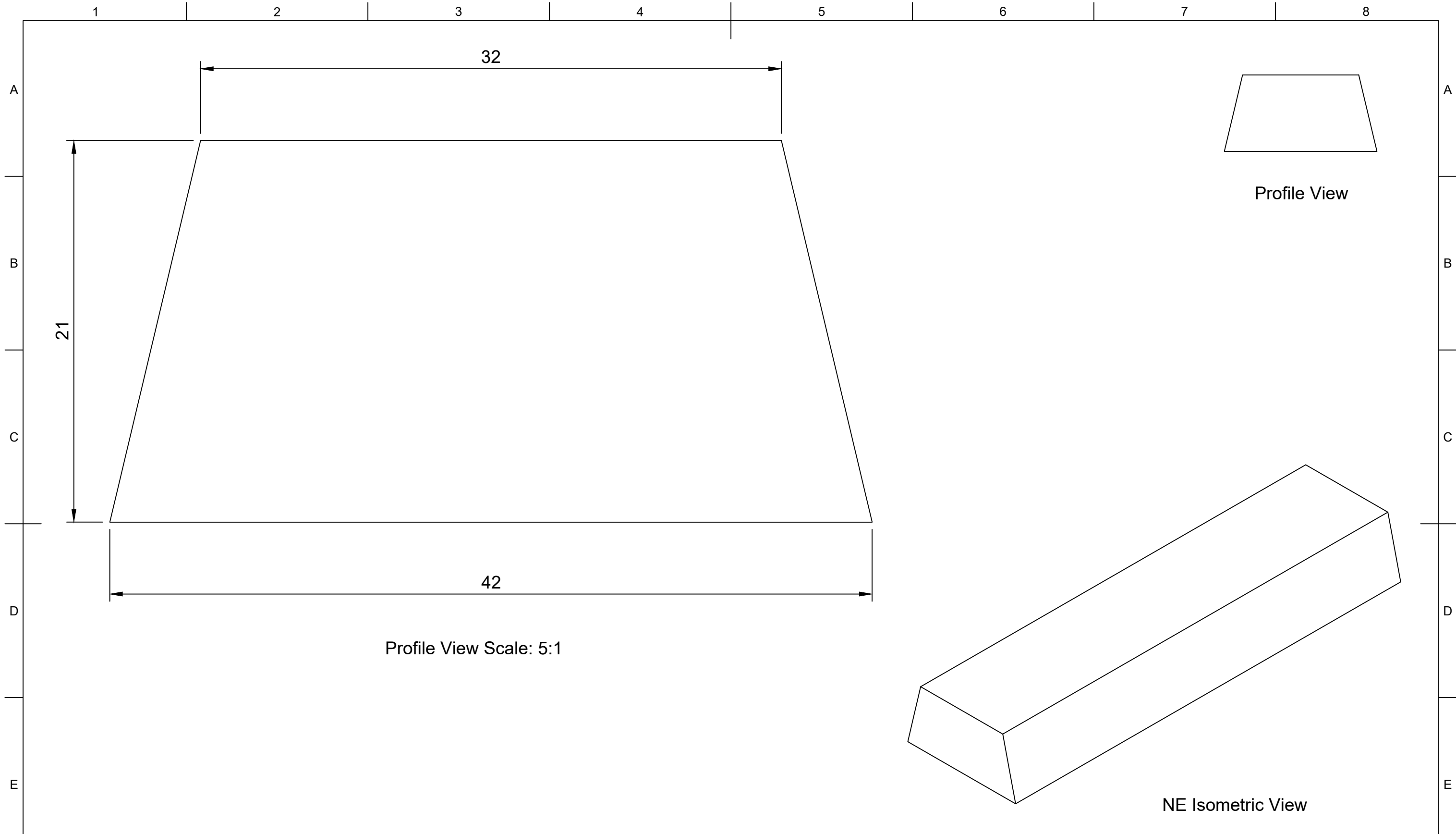



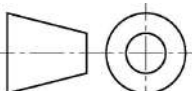
	<b>Part Number</b>				<b>Created By</b>		<b>Cross Sectional Area (mm<sup>2</sup>)</b>		<b>Nominal Dimension (mm)</b>		<b>Tolerance, ± (mm)</b>	
	202749				Isaac Erskine		378		<b>Greater Than</b>	<b>Less Than or Equal to</b>		
	<b>Description</b>				<b>Date Drawn</b>		<b>Material</b>					
	Trapezium				17/09/2020		EPDM				0.40	
					<b>Approved By</b>		<b>Hardness (Shore A)</b>				1.50	
					Isaac Erskine		70				2.50	
					<b>Date of Approval</b>		<b>Colour</b>				4.00	
					01/03/2022		Black				6.30	
					<b>Projection</b>		<b>Weight (g/m)</b>				10.00	
					3rd Agl. 		476				16.00	
<b>Revision</b>	<b>Date of Issue</b>	<b>Sheet Scale</b>	<b>Sheet Size</b>	<b>Sheet</b>					25.00	40.00	2.00	
A	01/03/2022	1:1	A3	1/1					40.00	63.00	2.50	
										63.00	100.00	3.20
										100.00		3.20%

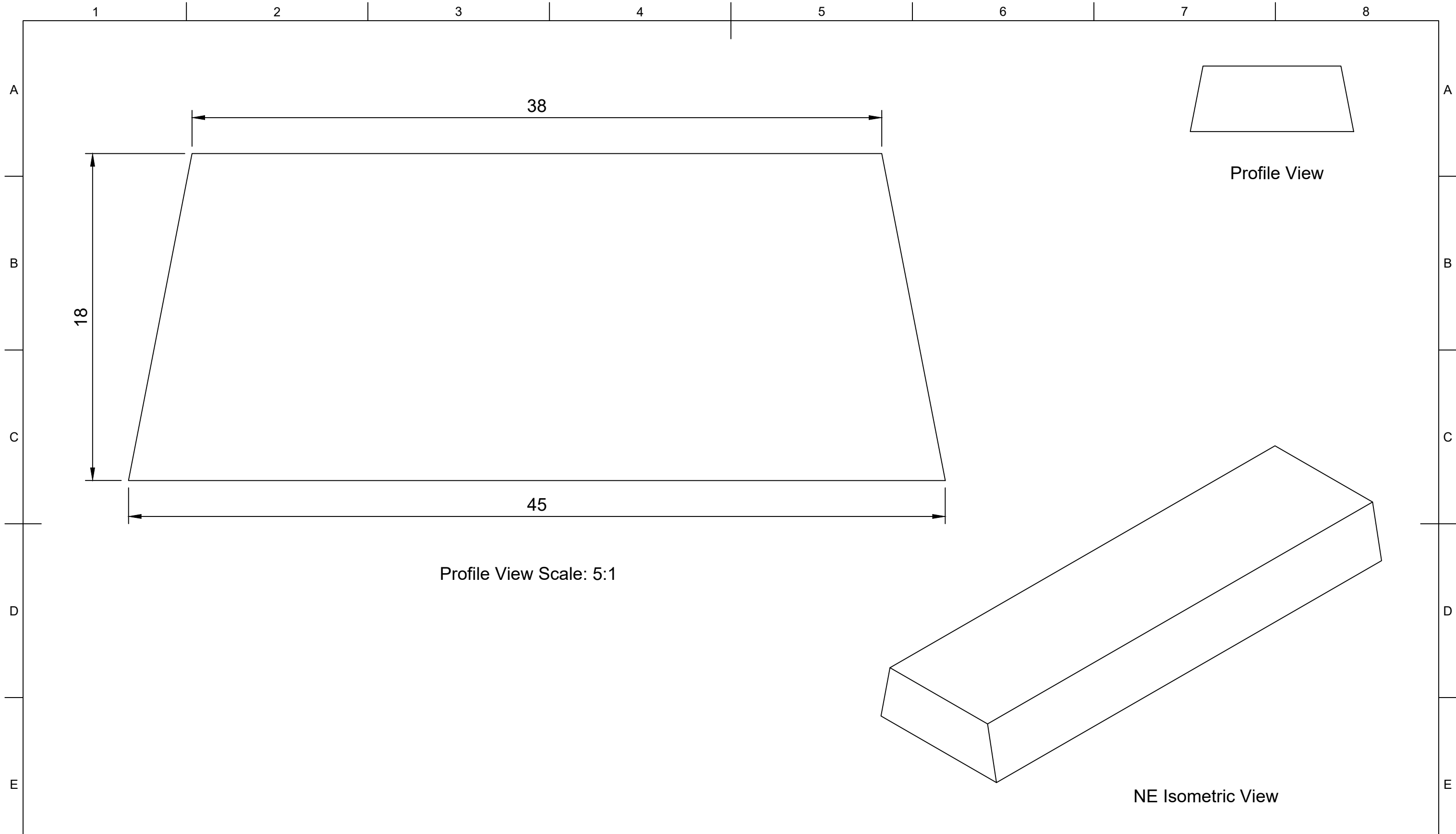



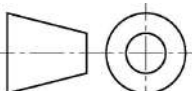


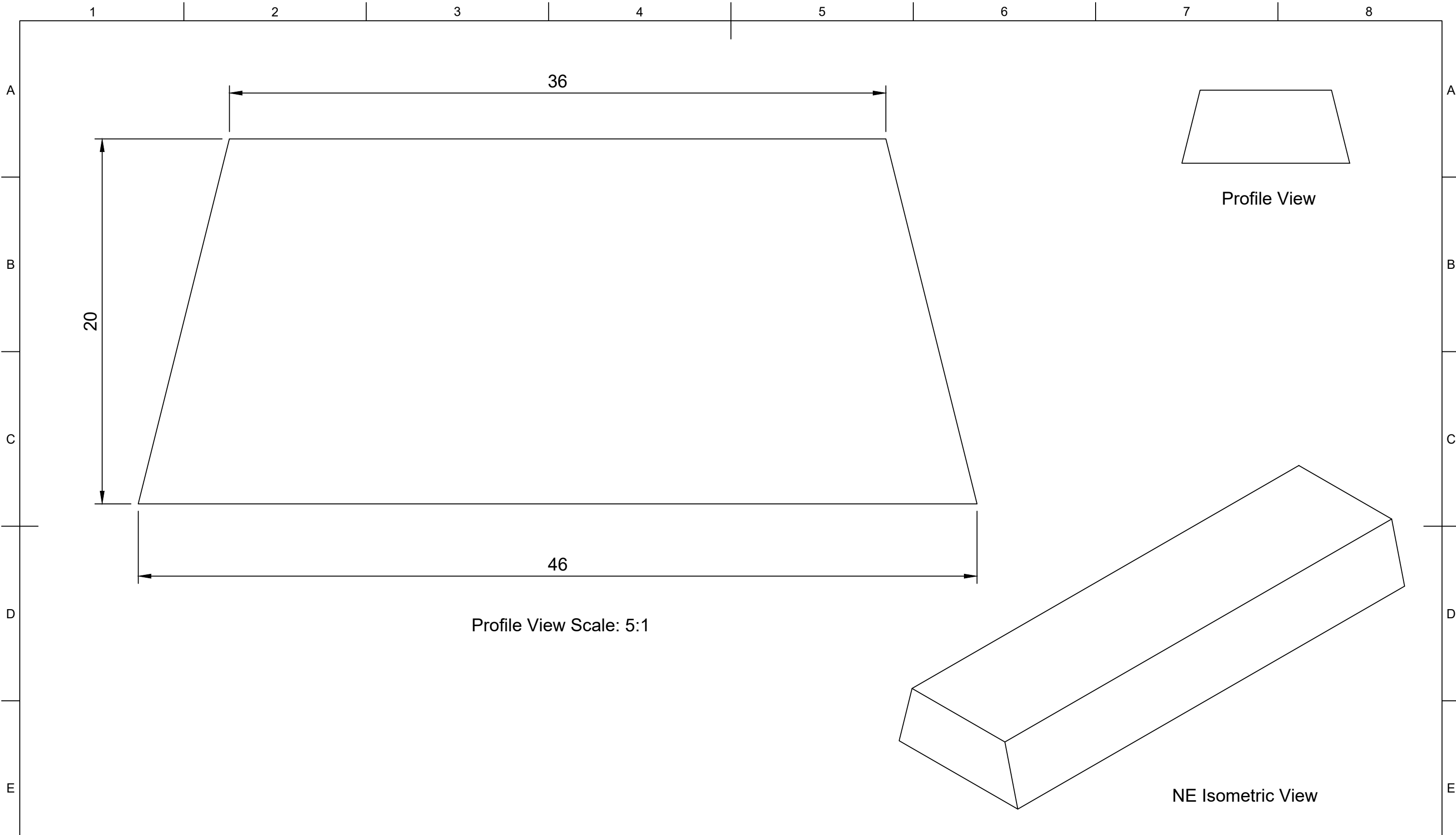
	<b>Part Number</b>				<b>Created By</b>		<b>Cross Sectional Area (mm<sup>2</sup>)</b>		<b>Nominal Dimension (mm)</b>		<b>Tolerance, ± (mm)</b>
	205731				Isaac Erskine		585		<b>Greater Than</b>	<b>Less Than or Equal to</b>	
	<b>Description</b>				<b>Date Drawn</b>		<b>Material</b>		0.00	1.50	0.40
	Trapezium				21/09/2020		EPDM		1.50	2.50	0.50
	<b>Revision</b>				<b>Approved By</b>		<b>Hardness (Shore A)</b>		2.50	4.00	0.70
	A	01/03/2022		1:1	Isaac Erskine		70		4.00	6.30	0.80
	<b>Date of Issue</b>		<b>Sheet Scale</b>		<b>Sheet Size</b>		<b>Colour</b>		6.30	10.00	1.00
	01/03/2022		1:1		A3		Black		10.00	16.00	1.30
	<b>Sheet</b>		<b>Projection</b>		<b>Weight (g/m)</b>				16.00	25.00	1.60
	1/1		3rd Agl. 		737				25.00	40.00	2.00
								40.00	63.00	2.50	
								63.00	100.00	3.20	
								100.00		3.20%	


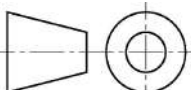


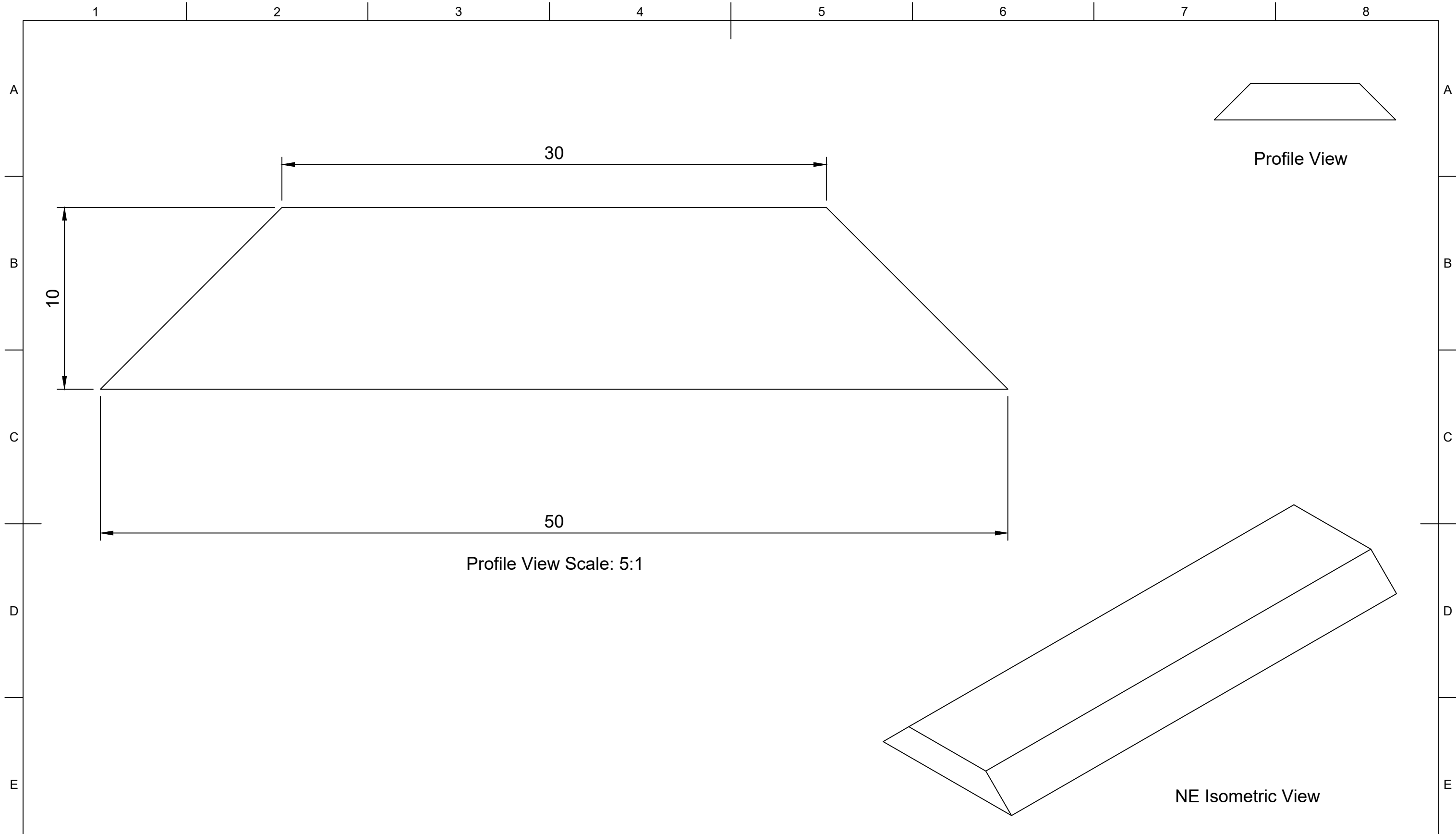
	<b>Part Number</b>				<b>Created By</b>		<b>Cross Sectional Area (mm<sup>2</sup>)</b>		<b>Nominal Dimension (mm)</b>		<b>Tolerance, ± (mm)</b>
	202989				Isaac Erskine		777		<b>Greater Than</b>	<b>Less Than or Equal to</b>	
	<b>Description</b>				<b>Date Drawn</b>		<b>Material</b>		0.00	1.50	0.40
	Trapezium				22/09/2020		EPDM		1.50	2.50	0.50
	<b>Revision</b>				<b>Approved By</b>		<b>Hardness (Shore A)</b>		2.50	4.00	0.70
	A	Date of Issue		Sheet Scale	Sheet Size	Sheet	Isaac Erskine		4.00	6.30	0.80
		01/03/2022		1:1	A3	1/1	Date of Approval		6.30	10.00	1.00
							01/03/2022		10.00	16.00	1.30
							<b>Projection</b>		16.00	25.00	1.60
							3rd Agl. 		25.00	40.00	2.00
						<b>Weight (g/m)</b>		40.00	63.00	2.50	
						979		63.00	100.00	3.20	
								100.00		3.20%	


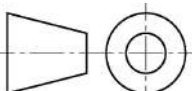


	<b>Part Number</b>				<b>Created By</b>		<b>Cross Sectional Area (mm<sup>2</sup>)</b>		<b>Nominal Dimension (mm)</b>		<b>Tolerance, ± (mm)</b>
	209301				Isaac Erskine		747		<b>Greater Than</b>	<b>Less Than or Equal to</b>	
	<b>Description</b>				<b>Date Drawn</b>		<b>Material</b>				
	Trapezium				22/09/2020		EPDM				
					<b>Approved By</b>		<b>Hardness (Shore A)</b>				
					Isaac Erskine		70				
					<b>Date of Approval</b>		<b>Colour</b>				
					01/03/2022		Black				
					<b>Projection</b>		<b>Weight (g/m)</b>				
					3rd Agl. 		941				
<b>Revision</b>	<b>Date of Issue</b>	<b>Sheet Scale</b>	<b>Sheet Size</b>	<b>Sheet</b>							
A	01/03/2022	1:1	A3	1/1							
								25.00	40.00	2.00	
								40.00	63.00	2.50	
								63.00	100.00	3.20	
								100.00		3.20%	



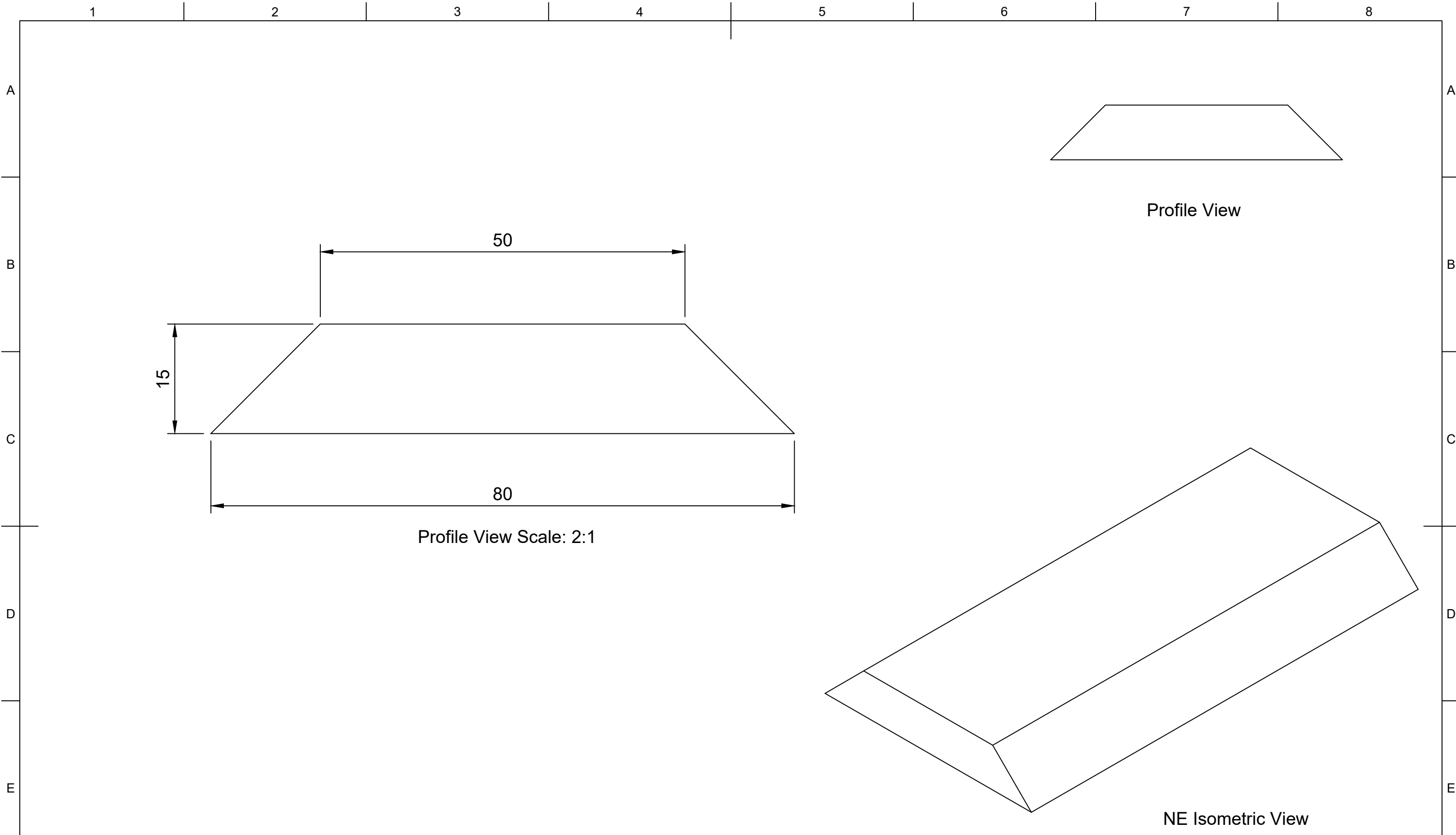
	<b>Part Number</b>				<b>Created By</b>		<b>Cross Sectional Area (mm<sup>2</sup>)</b>		<b>Nominal Dimension (mm)</b>		<b>Tolerance, ± (mm)</b>
	205403				Isaac Erskine		820		<b>Greater Than</b>	<b>Less Than or Equal to</b>	
	<b>Description</b>				<b>Date Drawn</b>		<b>Material</b>		0.00	1.50	0.40
	Trapezium				22/09/2020		EPDM		1.50	2.50	0.50
	<b>Revision</b>				<b>Approved By</b>		<b>Hardness (Shore A)</b>		2.50	4.00	0.70
	A	<b>Date of Issue</b>		<b>Sheet Scale</b>	<b>Sheet Size</b>	<b>Sheet</b>	Isaac Erskine		4.00	6.30	0.80
		01/03/2022		1:1	A3	1/1	01/03/2022		6.30	10.00	1.00
	<b>Projection</b>				<b>Date of Approval</b>		<b>Colour</b>		10.00	16.00	1.30
	3rd Agl. 				01/03/2022		Black		16.00	25.00	1.60
	<b>Weight (kg/m)</b>						1.033		25.00	40.00	2.00
								40.00	63.00	2.50	
								63.00	100.00	3.20	
								100.00		3.20%	



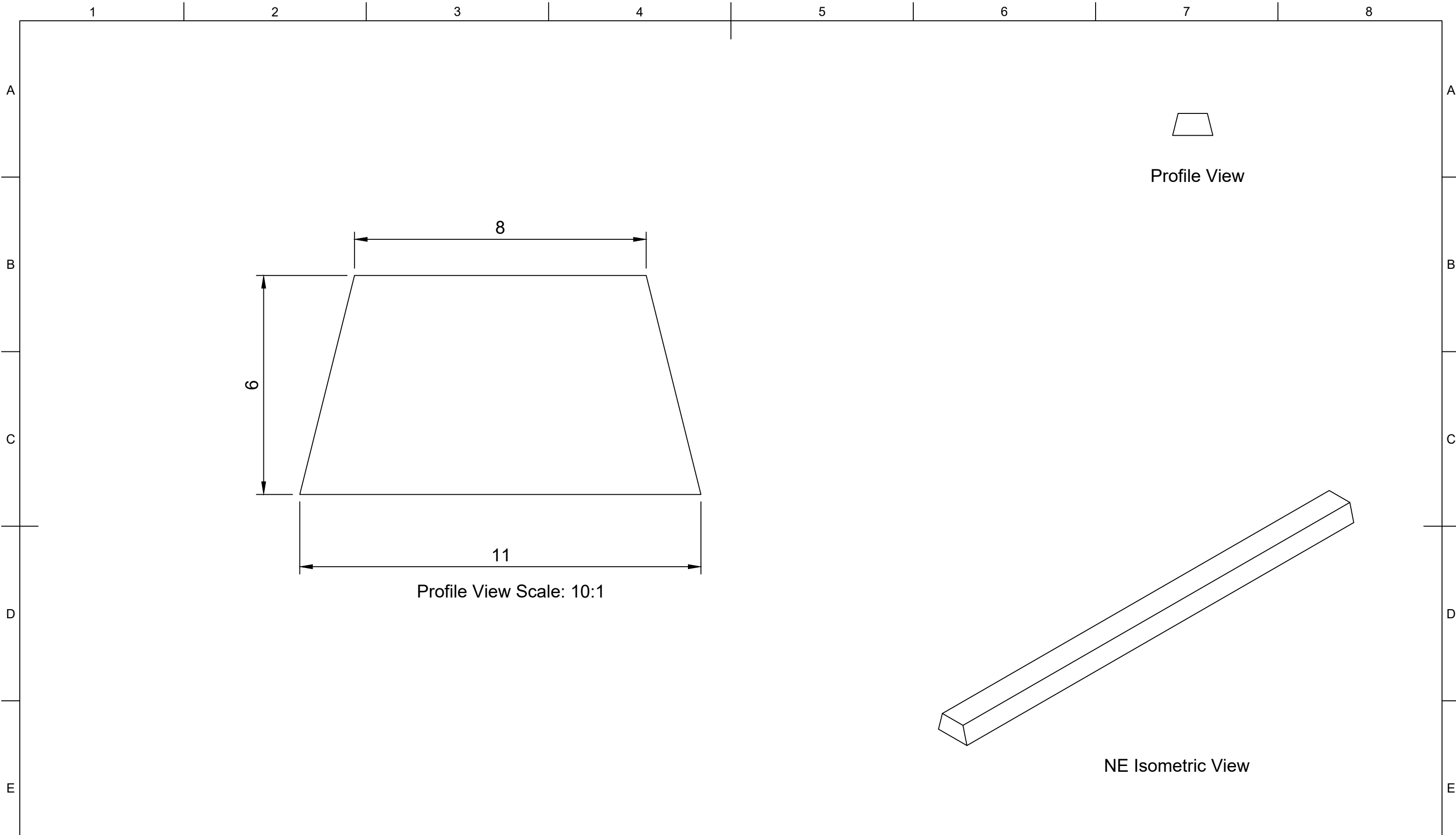
	<b>Part Number</b>				<b>Created By</b>		<b>Cross Sectional Area (mm<sup>2</sup>)</b>		<b>Nominal Dimension (mm)</b>		<b>Tolerance, ± (mm)</b>
	207882				Isaac Erskine		400		<b>Greater Than</b>	<b>Less Than or Equal to</b>	
	<b>Description</b>				<b>Date Drawn</b>		<b>Material</b>		0.00	1.50	0.40
	Trapezium				22/09/2020		EPDM		1.50	2.50	0.50
	<b>Revision</b>				<b>Approved By</b>		<b>Hardness (Shore A)</b>		2.50	4.00	0.70
	A	Date of Issue		Sheet Scale	Sheet Size	Sheet	Isaac Erskine		4.00	6.30	0.80
		01/03/2022		1:1	A3	1/1	Date of Approval		6.30	10.00	1.00
							01/03/2022		10.00	16.00	1.30
							<b>Projection</b>		16.00	25.00	1.60
							3rd Agl. 		25.00	40.00	2.00
						<b>Weight (g/m)</b>		40.00	63.00	2.50	
						504		63.00	100.00	3.20	
								100.00		3.20%	

1 2 3 4 5 6 7 8

F



	<b>Part Number</b>				<b>Created By</b>		<b>Cross Sectional Area (mm<sup>2</sup>)</b>		<b>Nominal Dimension (mm)</b>		<b>Tolerance, ± (mm)</b>
	201818				Isaac Erskine		975		<b>Greater Than</b>	<b>Less Than or Equal to</b>	
	<b>Description</b>				<b>Date Drawn</b>		<b>Material</b>		0.00		0.40
	Trapezium				22/09/2020		EPDM		1.50		0.50
	<b>Revision</b>				<b>Approved By</b>		<b>Hardness (Shore A)</b>		2.50		0.70
	A	<b>Date of Issue</b>		<b>Sheet Scale</b>	<b>Sheet Size</b>	<b>Sheet</b>	Isaac Erskine		4.00		0.80
		01/03/2022		1:1	A3	1/1	Date of Approval		6.30		1.00
							01/03/2022		10.00		1.30
							<b>Projection</b>		16.00		1.60
							3rd Agl.		25.00		2.00
						<b>Weight (kg/m)</b>		40.00		2.50	
						1.229		63.00		3.20	
								100.00		3.20%	



	<b>Part Number</b>				<b>Created By</b>		<b>Cross Sectional Area (mm<sup>2</sup>)</b>		<b>Nominal Dimension (mm)</b>		<b>Tolerance, ± (mm)</b>
	202184				Isaac Erskine		57		<b>Greater Than</b>	<b>Less Than or Equal to</b>	
	<b>Description</b>				<b>Date Drawn</b>		<b>Material</b>		0.00	1.50	0.40
	Trapezium				24/09/2020		Neoprene		1.50	2.50	0.50
	<b>Revision</b>				<b>Approved By</b>		<b>Hardness (Shore A)</b>		2.50	4.00	0.70
	A	01/03/2022		Isaac Erskine		70		4.00	6.30	0.80	
	<b>Date of Issue</b>		<b>Sheet Scale</b>		<b>Date of Approval</b>		<b>Colour</b>		6.30	10.00	1.00
	01/03/2022		1:1		01/03/2022		Black		10.00	16.00	1.30
	<b>Sheet Size</b>		<b>Sheet</b>		<b>Projection</b>		<b>Weight (g/m)</b>		16.00	25.00	1.60
	A3		1/1		3rd Agl.		87		25.00	40.00	2.00
								40.00	63.00	2.50	
								63.00	100.00	3.20	
								100.00		3.20%	