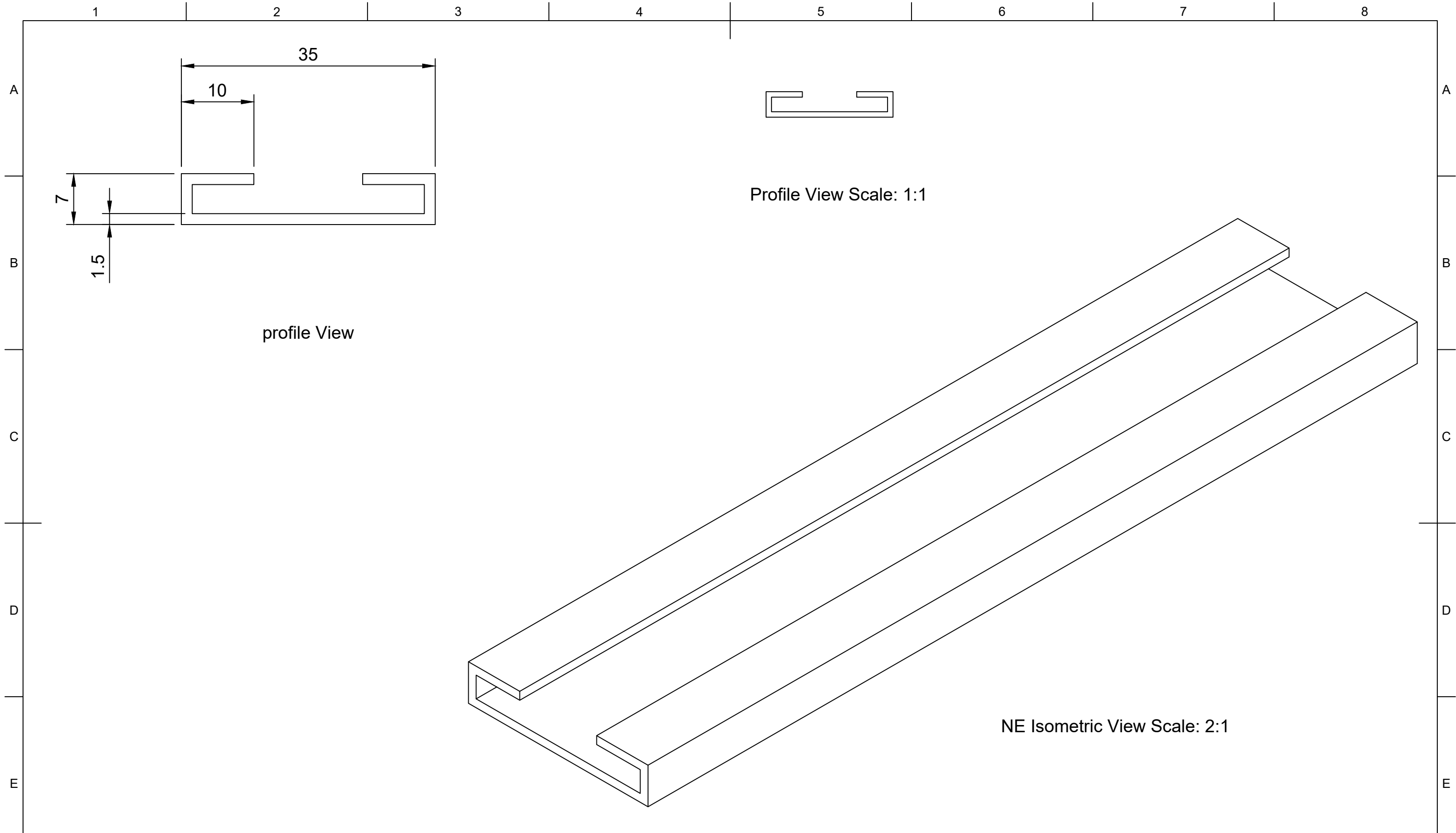
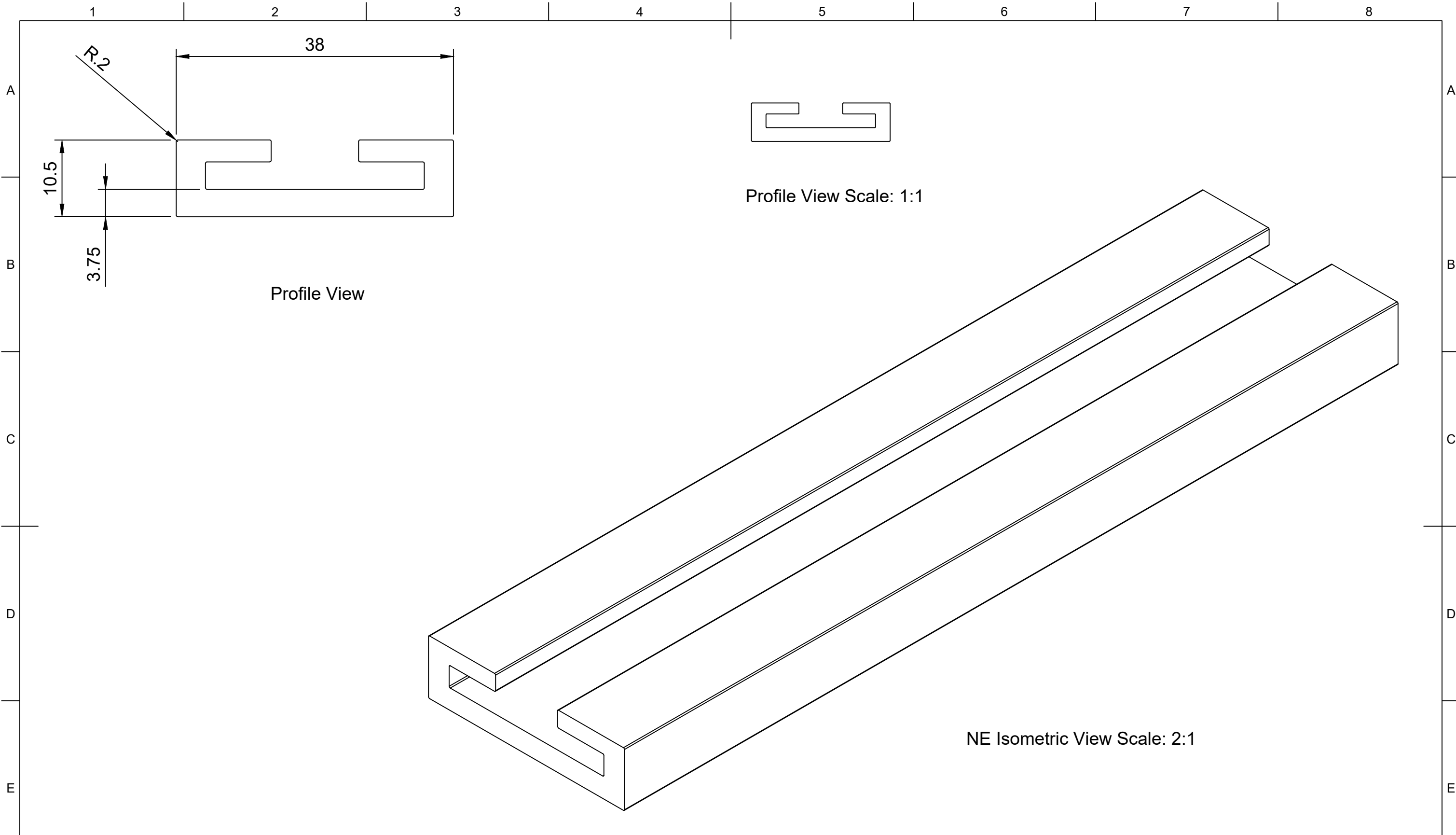




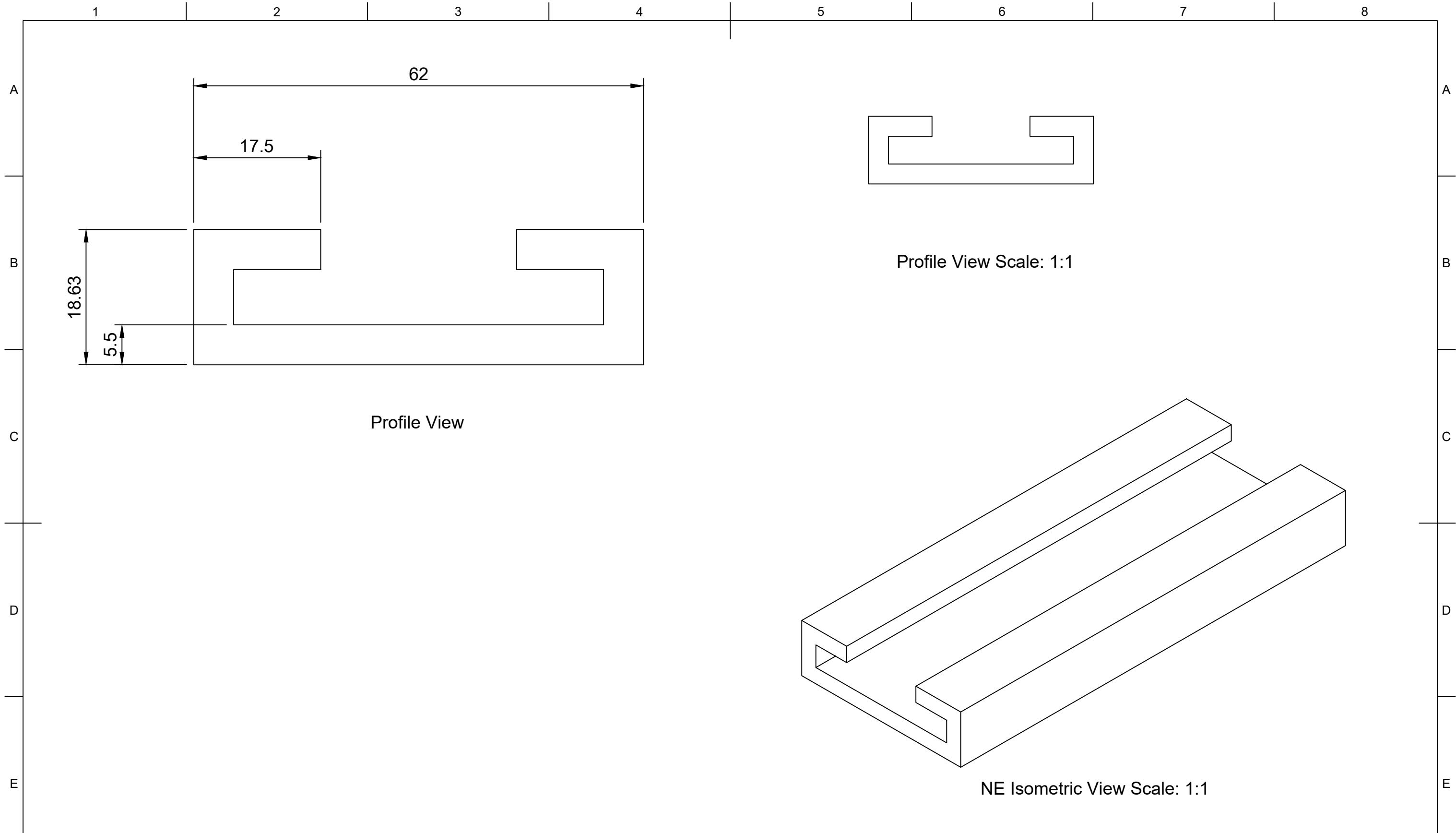
## Tank Straps


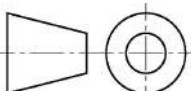


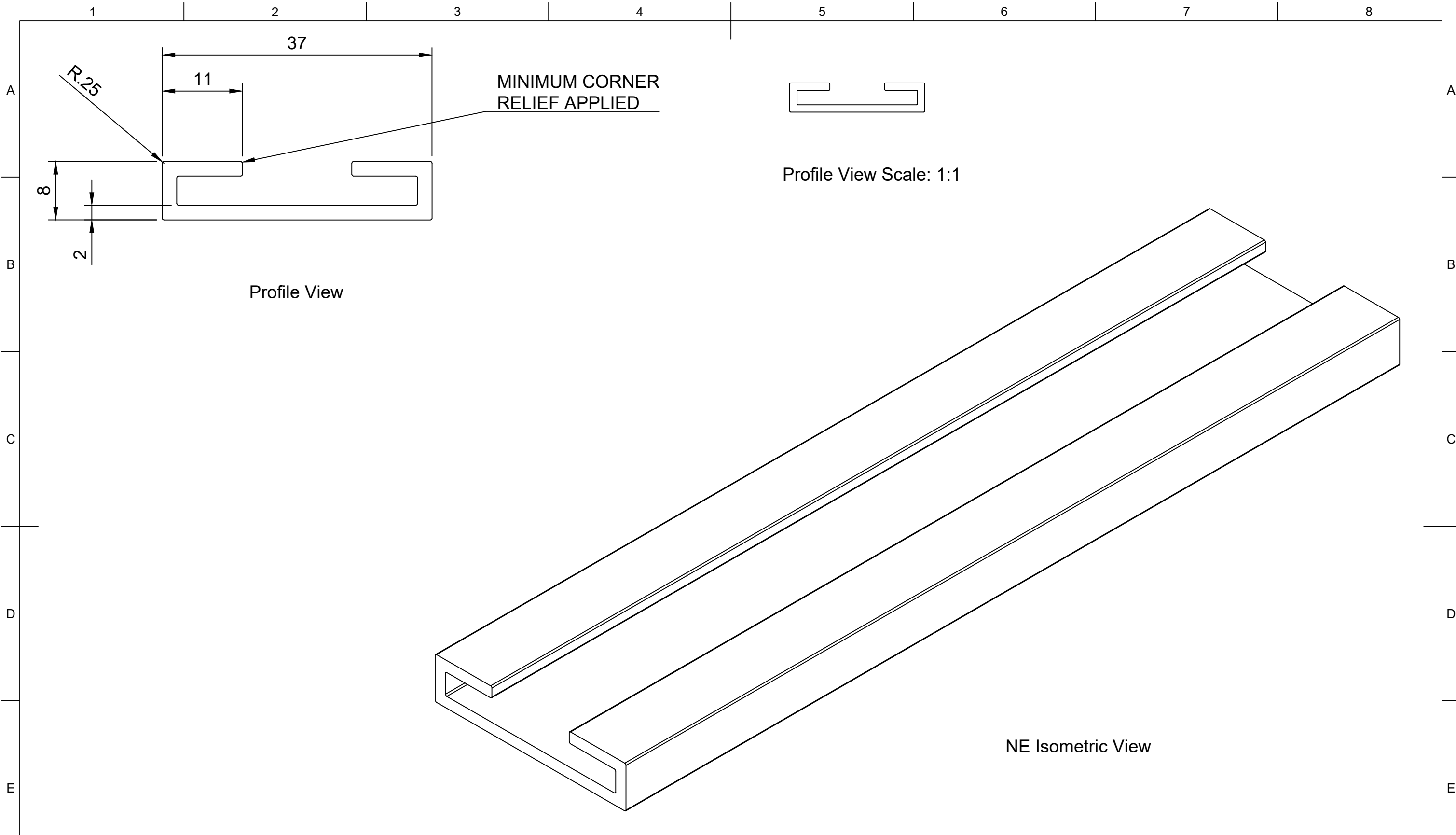
Part Number		200513			Created By		David Stirling		Cross Sectional Area (mm <sup>2</sup> )		95		Nominal Dimension (mm)		Tolerance, ± (mm)
					Date Drawn		21/04/2020		Material		EPDM		Greater Than	Less Than or Equal to	
Description		Tank Strap (Closed)			Approved By				Hardness (Shore A)		70		0.00	1.50	0.40
					Date of Approval				Colour		Black		1.50	2.50	0.50
Revision	Date of Issue	Sheet Scale	Sheet Size	Sheet	Projection	3rd Agl.		Weight (g/m)		120		2.50	4.00	0.70	
A	18/01/2022	2:1	A3	1/1	6.30							10.00	1.00		
												10.00	16.00	1.30	
												16.00	25.00	1.60	
												25.00	40.00	2.00	
												40.00	63.00	2.50	
												63.00	100.00	3.20	
												100.00		3.20%	



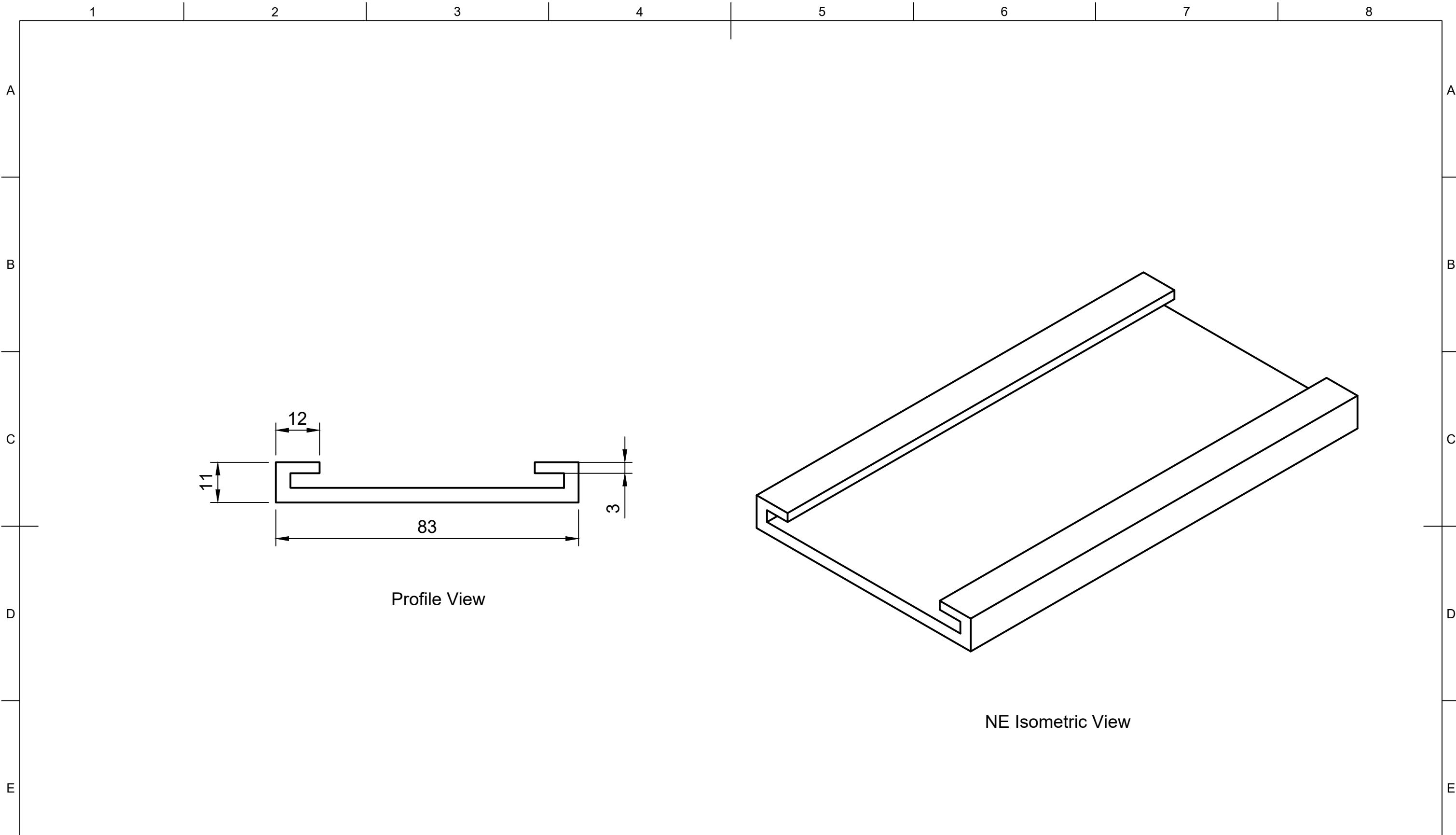
Part Number <b>200524</b>					Created By David Stirling		Cross Sectional Area (mm <sup>2</sup> ) 250		Nominal Dimension (mm)		Tolerance, ± (mm)
					Date Drawn 21/04/2020		Material EPDM		Greater Than	Less Than or Equal to	
Description <b>Tank Strap (Closed)</b>					Approved By		Hardness (Shore A) 70		0.00	1.50	0.40
					Date of Approval		Colour Black		1.50	2.50	0.50
Revision A	Date of Issue 18/01/2022	Sheet Scale 2:1	Sheet Size A3	Sheet 1/1	Projection 3rd Agl.	Weight (g/m) 315		2.50	4.00	0.70	
								4.00	6.30	0.80	
								6.30	10.00	1.00	
								10.00	16.00	1.30	
								16.00	25.00	1.60	
								25.00	40.00	2.00	
								40.00	63.00	2.50	
								63.00	100.00	3.20	
								100.00		3.20%	



	Part Number				Created By		Cross Sectional Area (mm <sup>2</sup> )		Nominal Dimension (mm)		Tolerance, ± (mm)
	200904				David Stirling		617		Greater Than	Less Than or Equal to	
	Description				Date Drawn		Material		0.00		0.40
	Tank Strap (Closed)				21/04/2020		EPDM		1.50		0.50
	Revision				Approved By		Hardness (Shore A)		2.50		0.70
	A				Date of Approval		70		4.00		0.80
	Date of Issue				Projection		Colour		6.30		1.00
	18/01/2022				3rd Agl. 		Black		10.00		1.30
	Sheet Scale				Weight (g/m)		780		16.00		1.60
	2:1								25.00		2.00
Sheet Size								40.00		2.50	
A3								63.00		3.20	
Sheet								100.00		3.20%	
1/1											


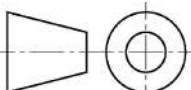


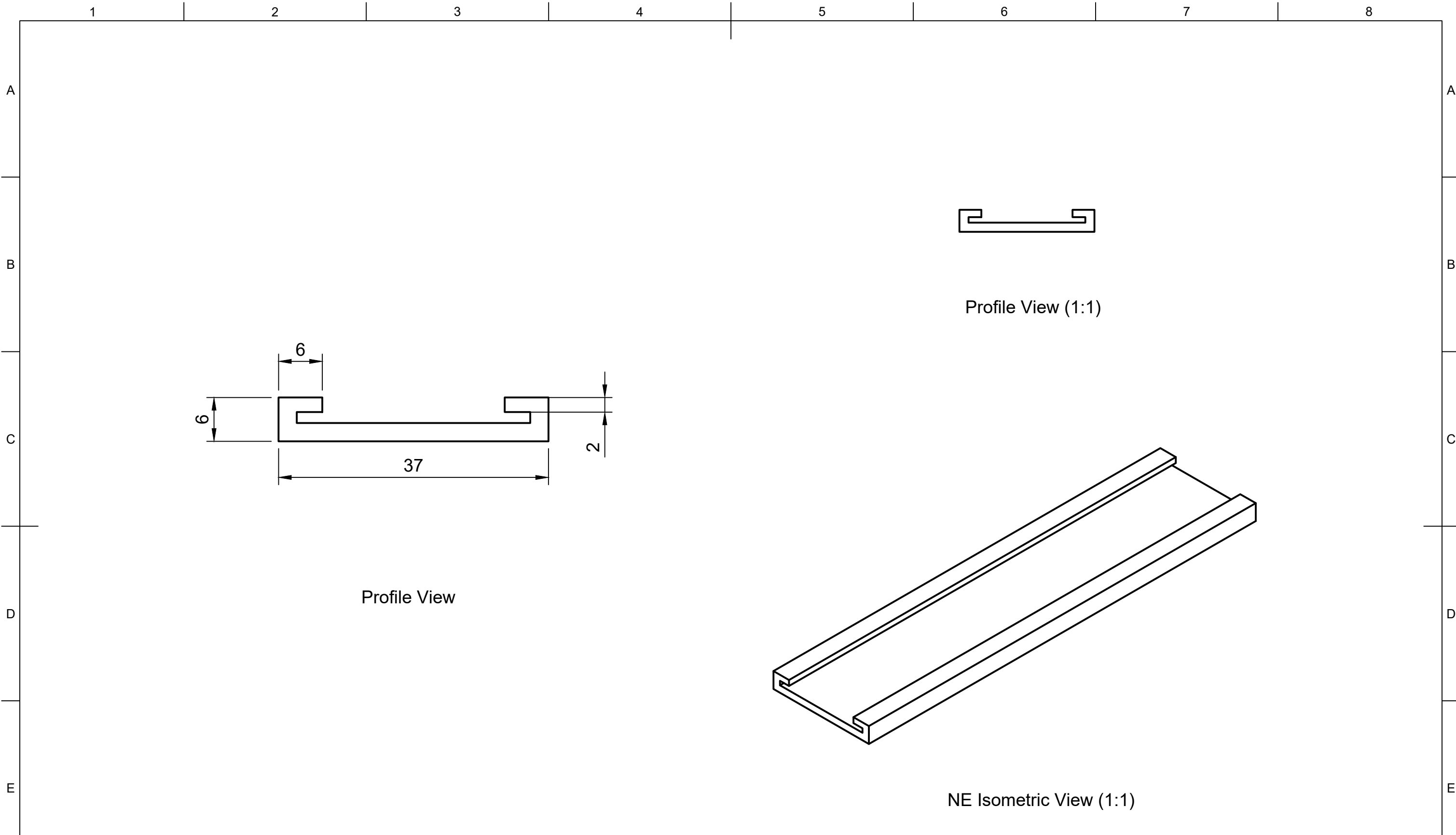
Part Number		201348			Created By	David Stirling	Cross Sectional Area (mm <sup>2</sup> )	134		Nominal Dimension (mm)		Tolerance, ± (mm)
					Date Drawn	21/04/2020	Material	EPDM	Greater Than	Less Than or Equal to	0.00	
Description		Tank Strap (Closed)			Approved By		Hardness (Shore A)	70		2.50	4.00	0.70
					Date of Approval		Colour	Black	4.00	6.30	0.80	6.30
Revision	Date of Issue	Sheet Scale	Sheet Size	Sheet	Projection	3rd Agl.	Weight (g/m)	169		10.00	16.00	1.30
A	18/01/2022	2:1	A3	1/1				16.00	25.00	1.60	25.00	40.00
										40.00	63.00	2.50
										63.00	100.00	3.20
										100.00		3.20%


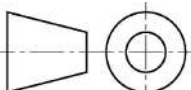


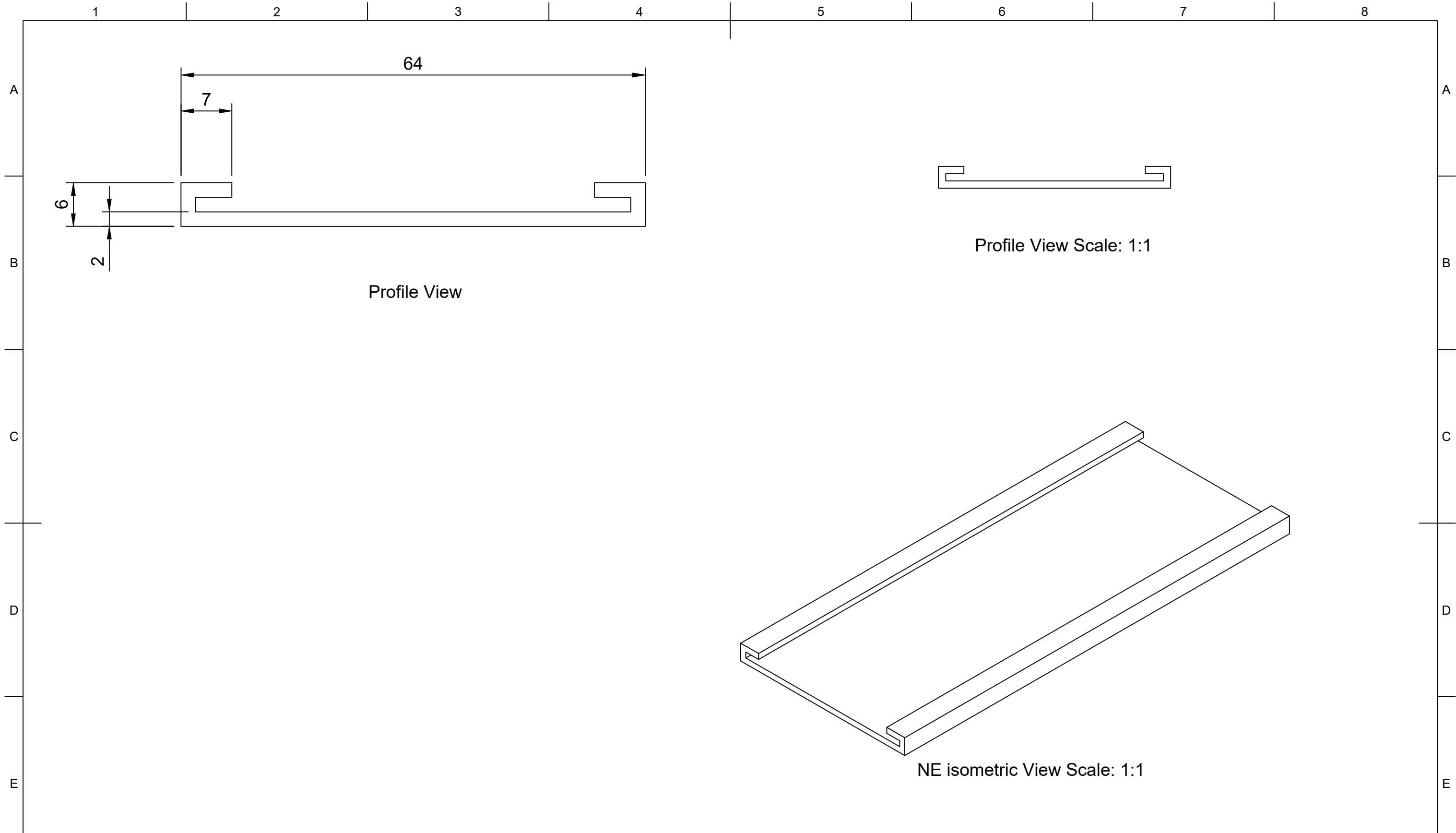
Profile View


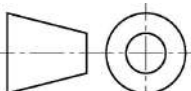
NE Isometric View

	Part Number				Created By		Cross Sectional Area (mm <sup>2</sup> )		Nominal Dimension (mm)		Tolerance, ± (mm)
	201456				David Stirling		436		Greater Than	Less Than or Equal to	
	Description				Date Drawn		Material		0.00	1.50	0.40
					18/01/2022		Neoprene		1.50	2.50	0.50
	Tank Strap (Closed)				Approved By		Hardness (Shore A)		2.50	4.00	0.70
					Date of Approval		70		4.00	6.30	0.80
	Revision				Date of Approval		Colour		6.30	10.00	1.00
					Black		10.00	16.00	1.30		
	A		18/01/2022		Sheet Scale		Weight (g/m)		16.00	25.00	1.60
	1:1		A3		Sheet		660		25.00	40.00	2.00
1/1		3rd Agl.		Projection				40.00	63.00	2.50	
								63.00	100.00	3.20	
								100.00		3.20%	

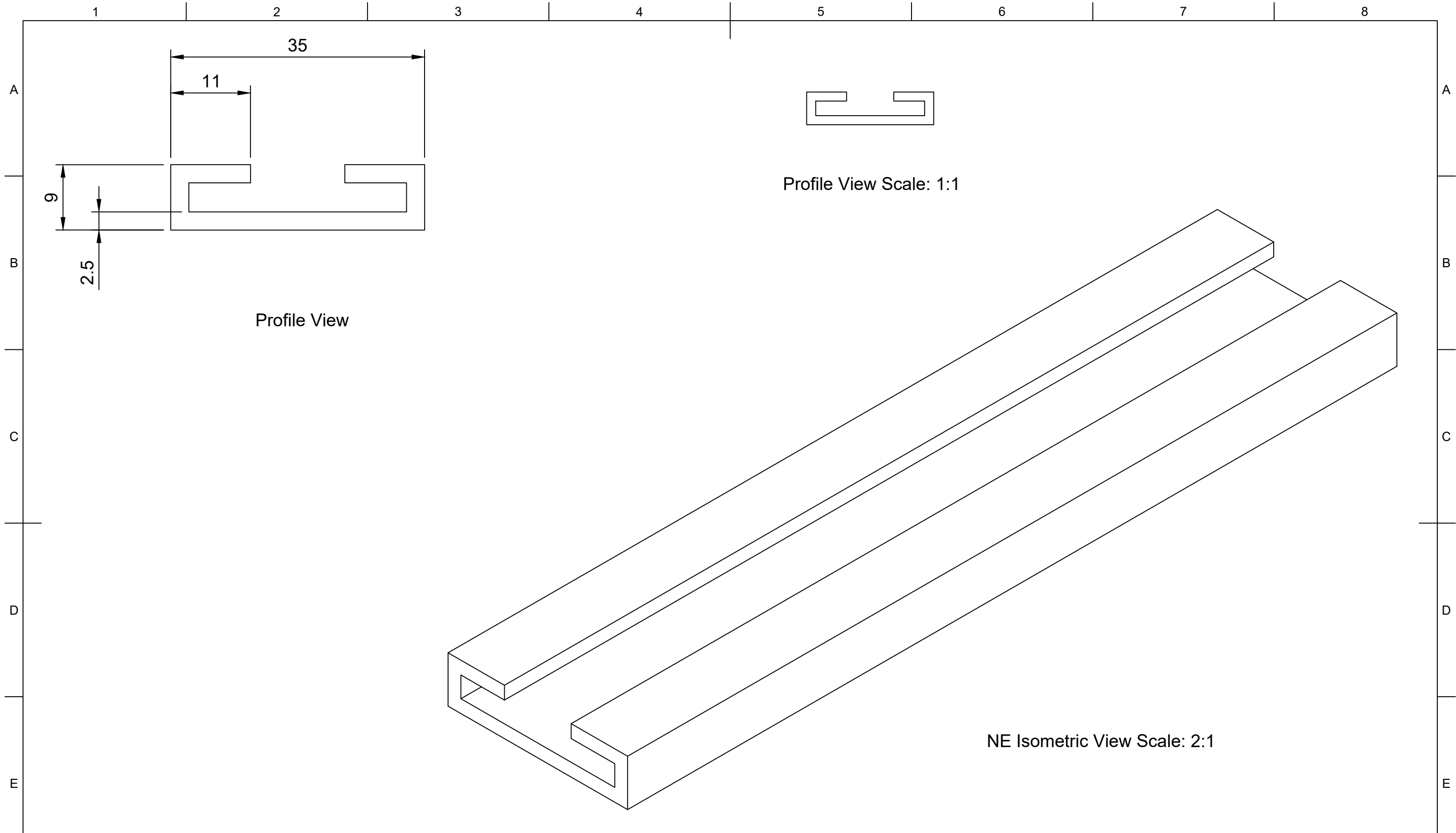


	<b>Part Number</b>				<b>Created By</b>		<b>Cross Sectional Area (mm<sup>2</sup>)</b>		<b>Nominal Dimension (mm)</b>		<b>Tolerance, ± (mm)</b>						
	201692				David Stirling		124		<b>Greater Than</b>	<b>Less Than or Equal to</b>							
	<b>Description</b>				<b>Date Drawn</b>		<b>Material</b>		0.00	1.50	0.40						
					18/01/2022		Neoprene		1.50	2.50	0.50						
	Tank Strap (Closed)				<b>Approved By</b>		<b>Hardness (Shore A)</b>		2.50	4.00	0.70						
					<b>Date of Approval</b>		70		4.00	6.30	0.80						
							Black		6.30	10.00	1.00						
	<b>Revision</b>		<b>Date of Issue</b>		<b>Sheet Scale</b>		<b>Sheet Size</b>		<b>Sheet</b>		<b>Projection</b>		<b>Weight (g/m)</b>				
	A		18/01/2022		2:1		A3		1/1		3rd Agl. 		187				
													25.00		40.00		2.00
										40.00			63.00		2.50		
										63.00			100.00		3.20		
										100.00					3.20%		

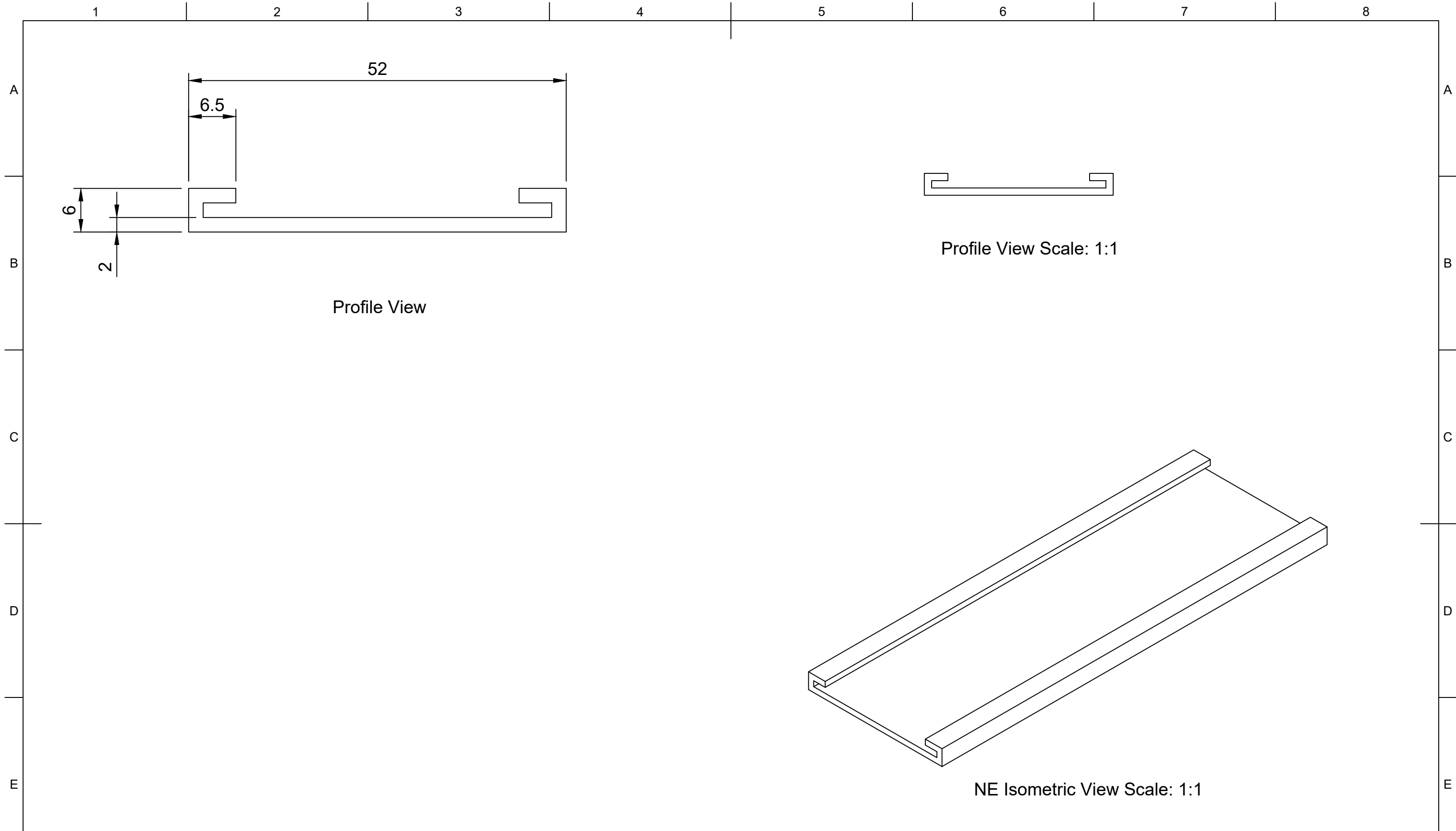



	Part Number				Created By		Cross Sectional Area (mm <sup>2</sup> )		Nominal Dimension (mm)		Tolerance, ± (mm)
	201811				David Stirling		164		Greater Than	Less Than or Equal to	
	Description				Date Drawn		Material		0.00		0.40
	Tank Strap (Closed)				21/04/2020		EPDM		1.50		0.50
	Revision				Approved By		Hardness (Shore A)		2.50		0.70
	A				Date of Approval		70		4.00		0.80
	Date of Issue				Projection		Colour		6.30		1.00
	18/01/2022				3rd Agl. 		Black		10.00		1.30
	Sheet Scale				Weight (g/m)		204		16.00		1.60
	2:1				1/1				25.00		2.00
Sheet Size								40.00		2.50	
A3								63.00		3.20	
Sheet								100.00		3.20%	
1/1											

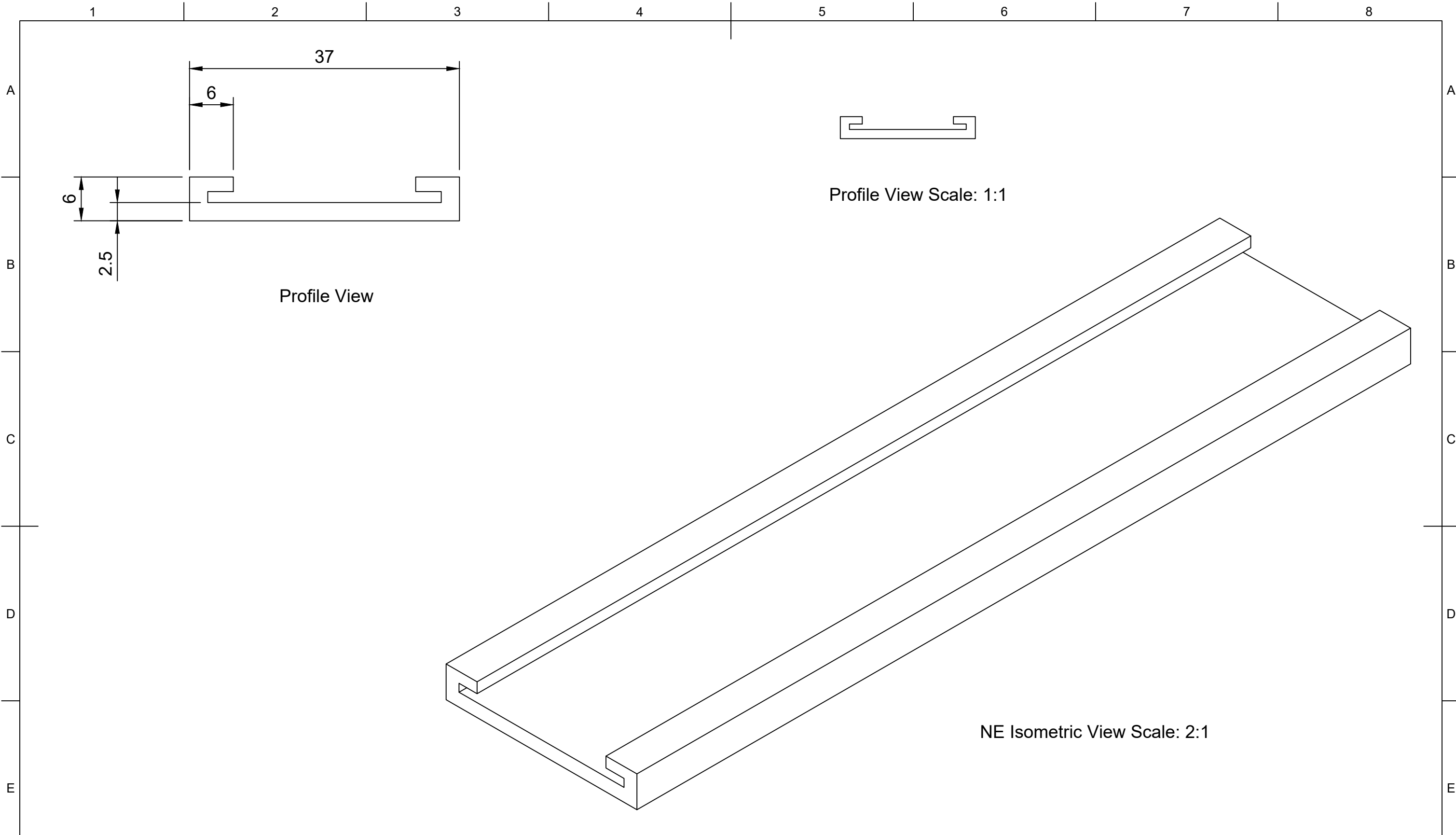




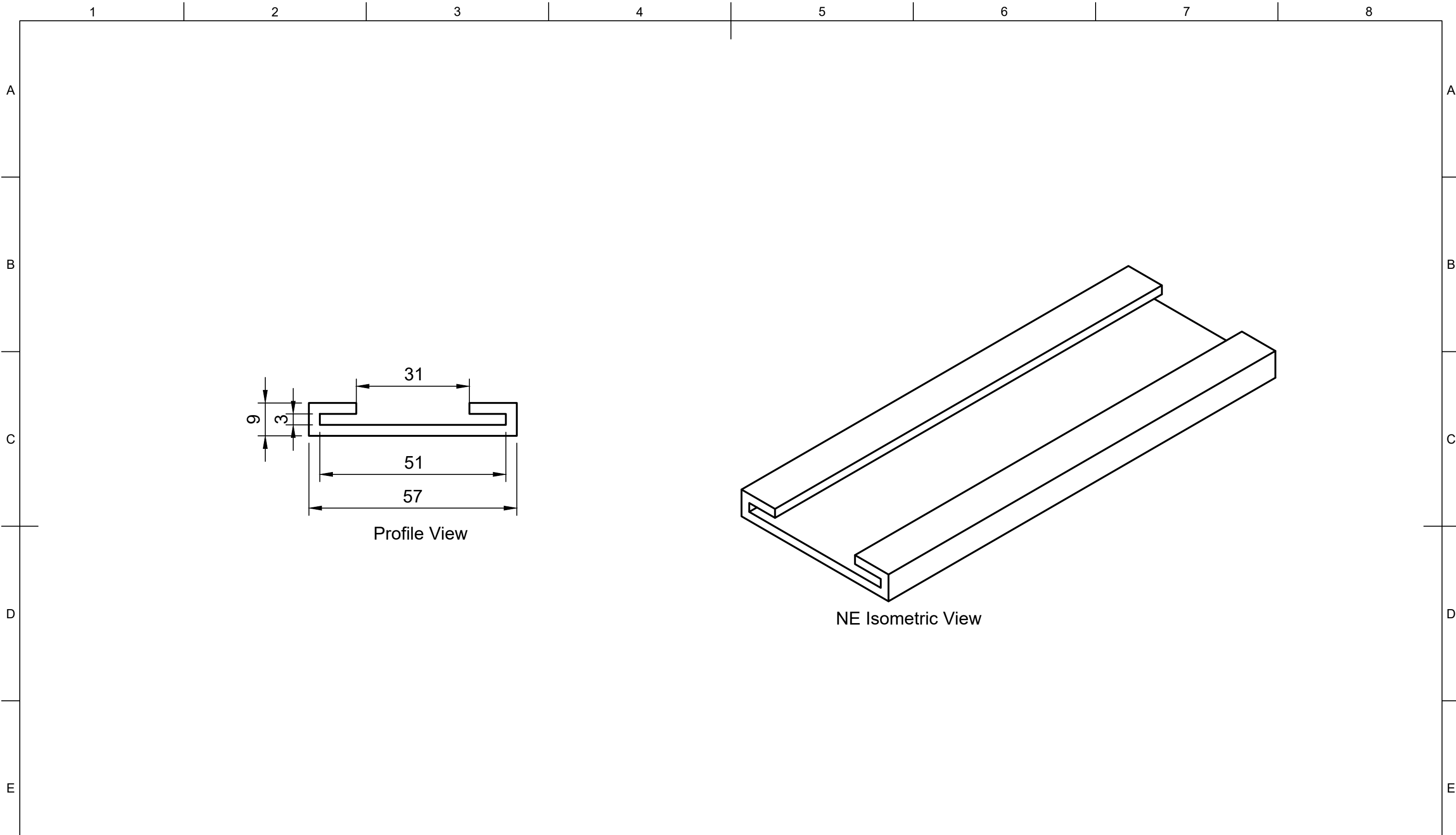
Part Number <b>201913</b>					Created By David Stirling		Cross Sectional Area (mm <sup>2</sup> ) 163		Nominal Dimension (mm)		Tolerance, ± (mm)
					Date Drawn 21/04/2020		Material EPDM		Greater Than	Less Than or Equal to	
Description <b>Tank Strap (Closed)</b>					Approved By		Hardness (Shore A) 70		0.00	1.50	0.40
					Date of Approval		Colour Black		1.50	2.50	0.50
Revision A	Date of Issue 18/01/2022	Sheet Scale 2:1	Sheet Size A3	Sheet 1/1	Projection 3rd Agl.	Weight (g/m) 210		2.50	4.00	0.70	
									6.30	10.00	1.00
									10.00	16.00	1.30
									16.00	25.00	1.60
									25.00	40.00	2.00
									40.00	63.00	2.50
									63.00	100.00	3.20
									100.00		3.20%



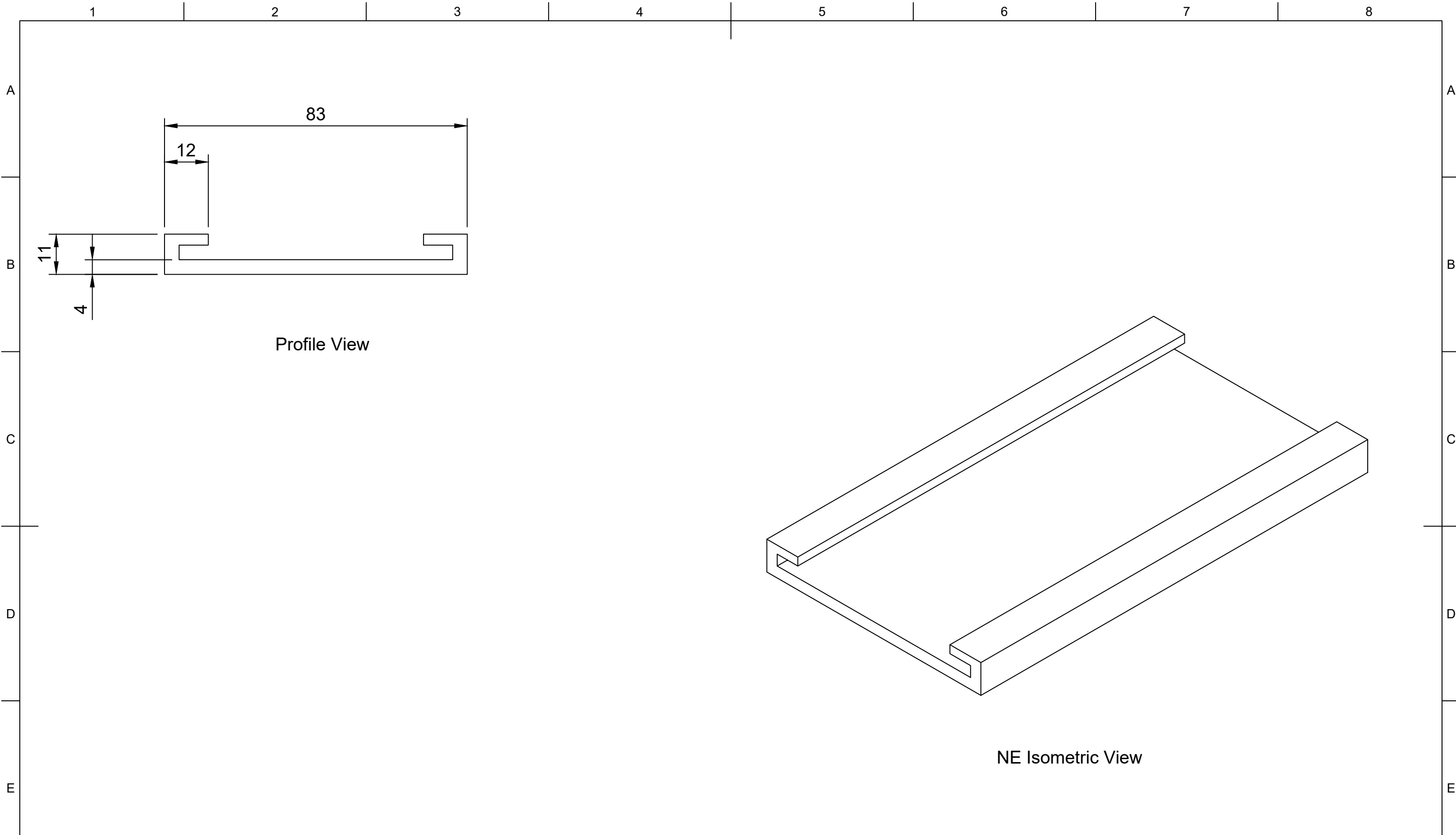
	<b>Part Number</b>				<b>Created By</b>		<b>Cross Sectional Area (mm<sup>2</sup>)</b>		<b>Nominal Dimension (mm)</b>		<b>Tolerance, ± (mm)</b>
	201943				David Stirling		138		<b>Greater Than</b>	<b>Less Than or Equal to</b>	
	<b>Description</b>				<b>Date Drawn</b>		<b>Material</b>		0.00		0.40
					21/04/2020		EPDM		1.50		0.50
	Tank Strap (Closed)				<b>Approved By</b>		<b>Hardness (Shore A)</b>		2.50		0.70
					Date of Approval		70		4.00		0.80
	Revision				3rd Agl.		Weight (g/m)		6.30		1.00
									18/01/2022		170
	A				18/01/2022		170		16.00		1.60
	2:1				18/01/2022		170		25.00		2.00
A3				18/01/2022		170		40.00		2.50	
1/1				18/01/2022		170		63.00		3.20	
1/1				18/01/2022		170		100.00		3.20%	



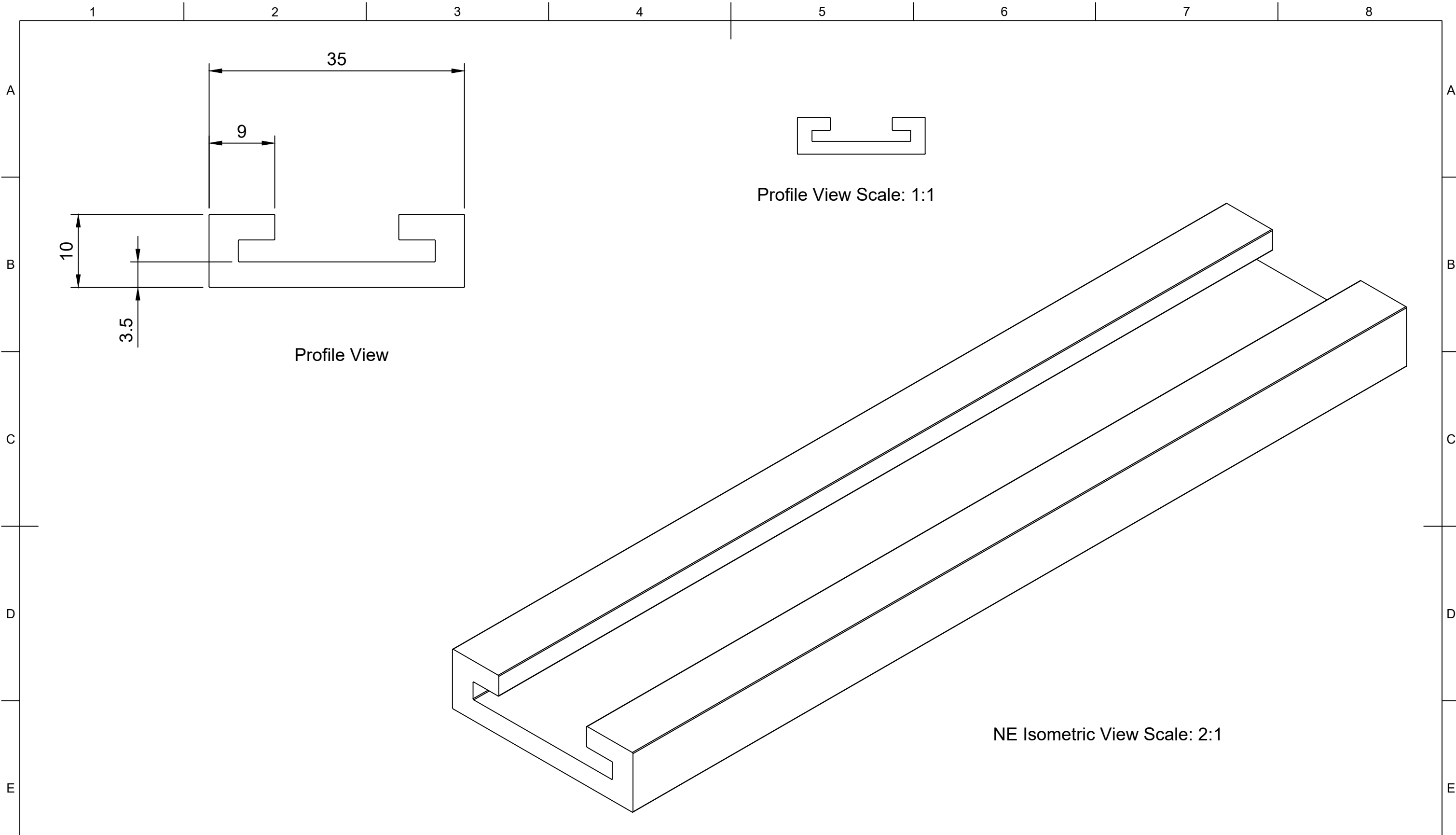
<b>Part Number</b> 204349		<b>Created By</b> David Stirling		<b>Cross Sectional Area (mm<sup>2</sup>)</b> 124		<b>Nominal Dimension (mm)</b>		<b>Tolerance, ± (mm)</b>
		<b>Date Drawn</b> 21/04/2020		<b>Material</b> EPDM		<b>Greater Than</b>	<b>Less Than or Equal to</b>	
<b>Description</b> Tank Strap (Closed)		<b>Approved By</b>		<b>Hardness (Shore A)</b> 70		0.00	1.50	0.40
		<b>Date of Approval</b>		<b>Colour</b> Black		1.50	2.50	0.50
		<b>Projection</b> 3rd Agl.		<b>Weight (g/m)</b> 154		2.50	4.00	0.70
<b>Revision</b> A	<b>Date of Issue</b> 18/01/2022	<b>Sheet Scale</b> 2:1	<b>Sheet Size</b> A3	<b>Sheet</b> 1/1		6.30	10.00	1.00
						10.00	16.00	1.30
						16.00	25.00	1.60
						25.00	40.00	2.00
						40.00	63.00	2.50
						63.00	100.00	3.20
						100.00		3.20%



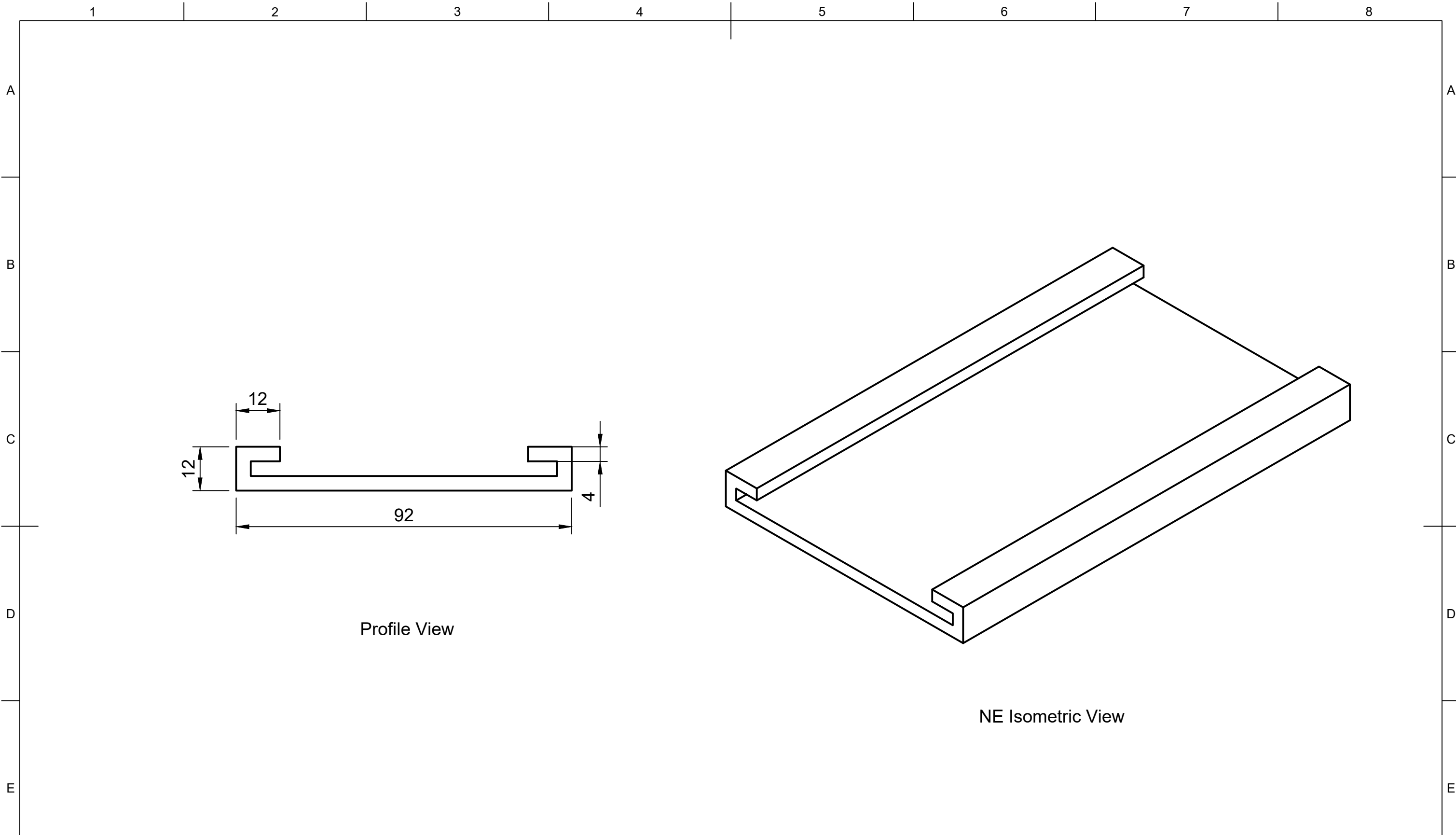
<b>Part Number</b> 204907		<b>Created By</b> Adam Harvey		<b>Cross-Sectional Area (mm<sup>2</sup>)</b> 267		<b>Nominal Dimension (mm)</b>		<b>Tolerance, ± (mm)</b>	
		<b>Date Drawn</b> 11/01/2022		<b>Material</b> EPDM	<b>Hardness (Shore A)</b> 70	<b>Colour</b> Black	<b>Weight (kg/m)</b> 0.337		<b>Greater Than</b>
<b>Description</b> Tank Strap - Closed		<b>Approved By</b>							
		<b>Date of Approval</b>							
<b>Revision</b> 2	<b>Date of Issue</b> 12/01/2022	<b>Sheet Scale</b> 1:1	<b>Sheet Size</b> A3	<b>Sheet</b> 1/1	<b>Projection</b> 3rd Agl.				
							0.00	1.50	0.40
							1.50	2.50	0.50
							2.50	4.00	0.70
							4.00	6.30	0.80
							6.30	10.00	1.00
							10.00	16.00	1.30
							16.00	25.00	1.60
							25.00	40.00	2.00
							40.00	63.00	2.50
							63.00	100.00	3.20
							100.00		3.20%



Part Number		205101			Created By	David Stirling	Cross Sectional Area (mm <sup>2</sup> )	436		Nominal Dimension (mm)		Tolerance, ± (mm)
					Date Drawn	21/04/2020	Material	EPDM	Greater Than	Less Than or Equal to	0.00	
Description		Tank Strap (Closed)			Approved By		Hardness (Shore A)	70		2.50	4.00	0.70
					Date of Approval		Colour	Black	4.00	6.30	0.80	6.30
Revision	Date of Issue	Sheet Scale	Sheet Size	Sheet	Projection	3rd Agl.	Weight (g/m)	550		10.00	16.00	1.30
A	18/01/2022	1:1	A3	1/1			25.00	40.00	2.00	16.00	25.00	1.60
										40.00	63.00	2.50
										63.00	100.00	3.20
										100.00		3.20%


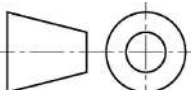


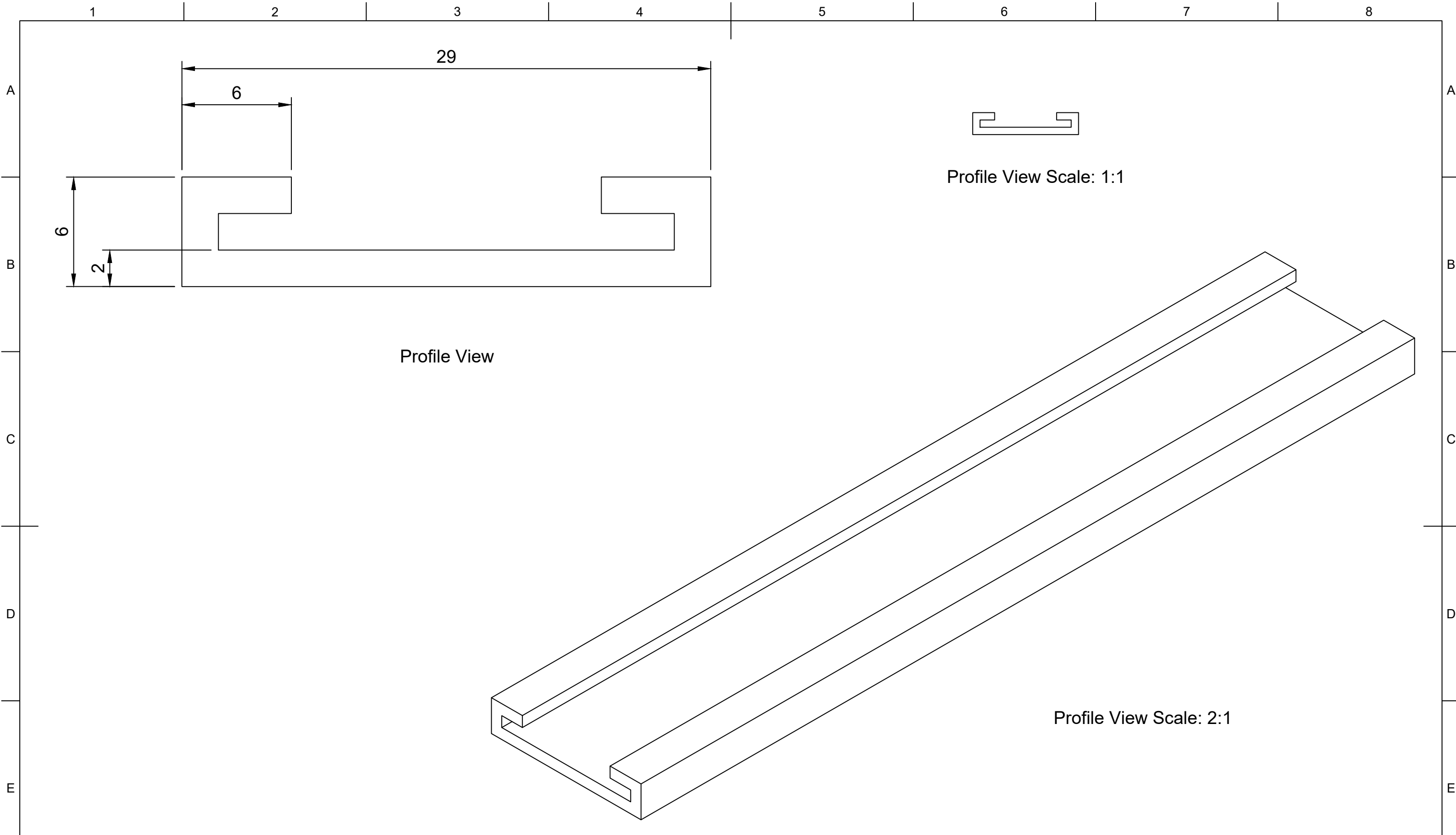
	<b>Part Number</b>				<b>Created By</b>		<b>Cross Sectional Area (mm<sup>2</sup>)</b>		<b>Nominal Dimension (mm)</b>		<b>Tolerance, ± (mm)</b>					
	205704				David Stirling		209		<b>Greater Than</b>	<b>Less Than or Equal to</b>						
	<b>Description</b>				<b>Date Drawn</b>		<b>Material</b>		0.00	1.50	0.40					
					21/04/2020		Nitrile		1.50	2.50	0.50					
	Tank Strap (Closed)				<b>Approved By</b>		<b>Hardness (Shore A)</b>		2.50	4.00	0.70					
					Date of Approval		70		4.00	6.30	0.80					
	Revision				Date of Issue		Sheet Scale		Sheet Size		Sheet		10.00		16.00	1.30
													A		18/01/2022	
	Projection				3rd Agl.				Weight (g/m)		25.00		40.00	2.00		
											40.00		63.00	2.50		
63.00											100.00	3.20				
100.00											—	3.20%				

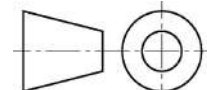


Profile View

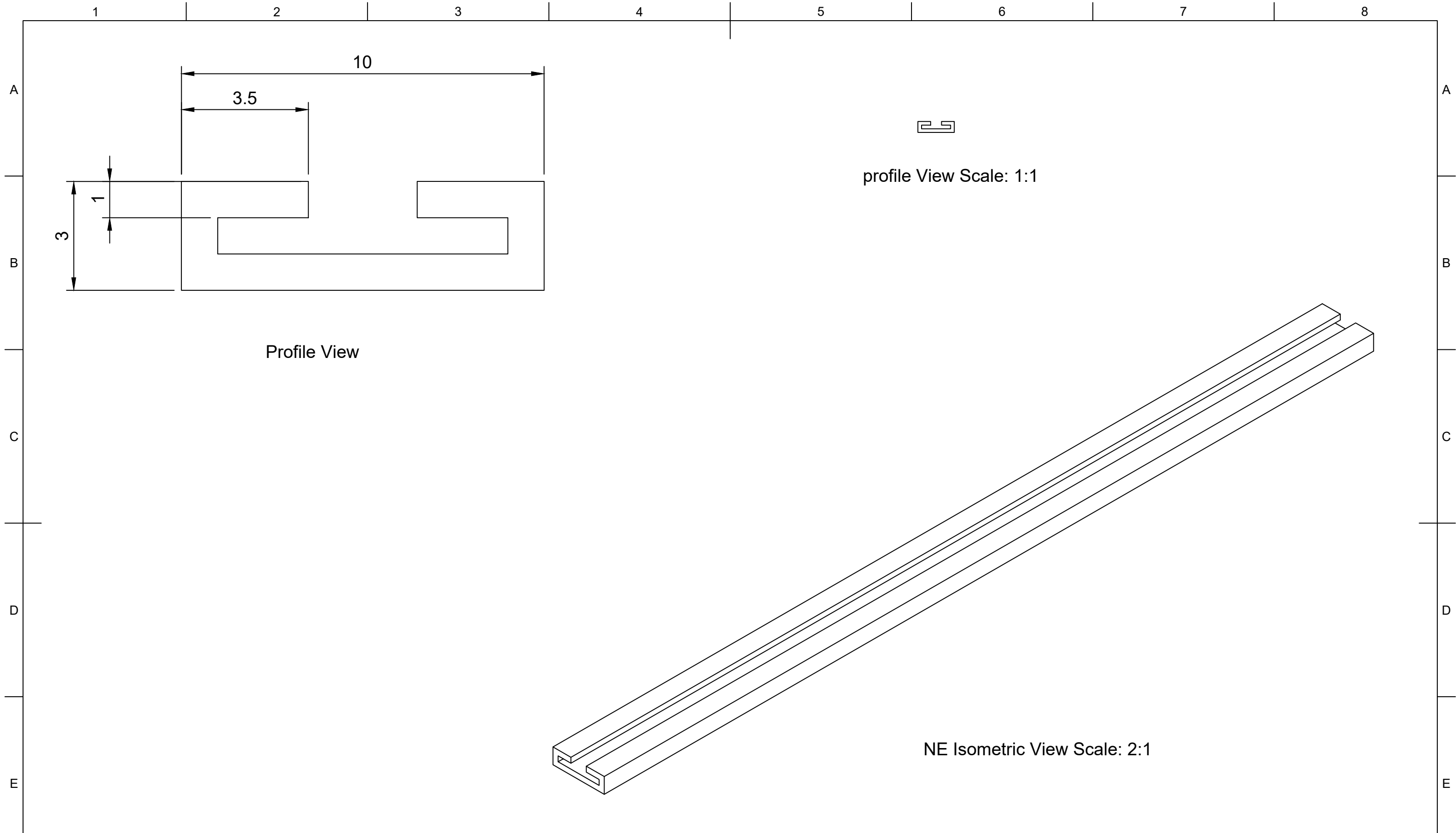
NE Isometric View


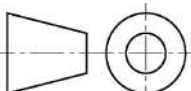
	<b>Part Number</b>				<b>Created By</b>		<b>Cross Sectional Area (mm<sup>2</sup>)</b>		<b>Nominal Dimension (mm)</b>		<b>Tolerance, ± (mm)</b>	
	206045				David Stirling		496		<b>Greater Than</b>	<b>Less Than or Equal to</b>		
	<b>Description</b>				<b>Date Drawn</b>		<b>Material</b>		0.00	1.50	0.40	
	Tank Strap (Closed)				18/01/2022		Neoprene		1.50	2.50	0.50	
	<b>Revision</b>				<b>Approved By</b>		<b>Hardness (Shore A)</b>		2.50	4.00	0.70	
	A	Date of Issue		Sheet Scale		Date of Approval		70		4.00	6.30	0.80
		18/01/2022		1:1				Black		6.30	10.00	1.00
				Sheet Size		<b>Projection</b>		800		10.00	16.00	1.30
				A3		3rd Agl. 				16.00	25.00	1.60
				Sheet						25.00	40.00	2.00
			1/1						40.00	63.00	2.50	
									63.00	100.00	3.20	
									100.00		3.20%	

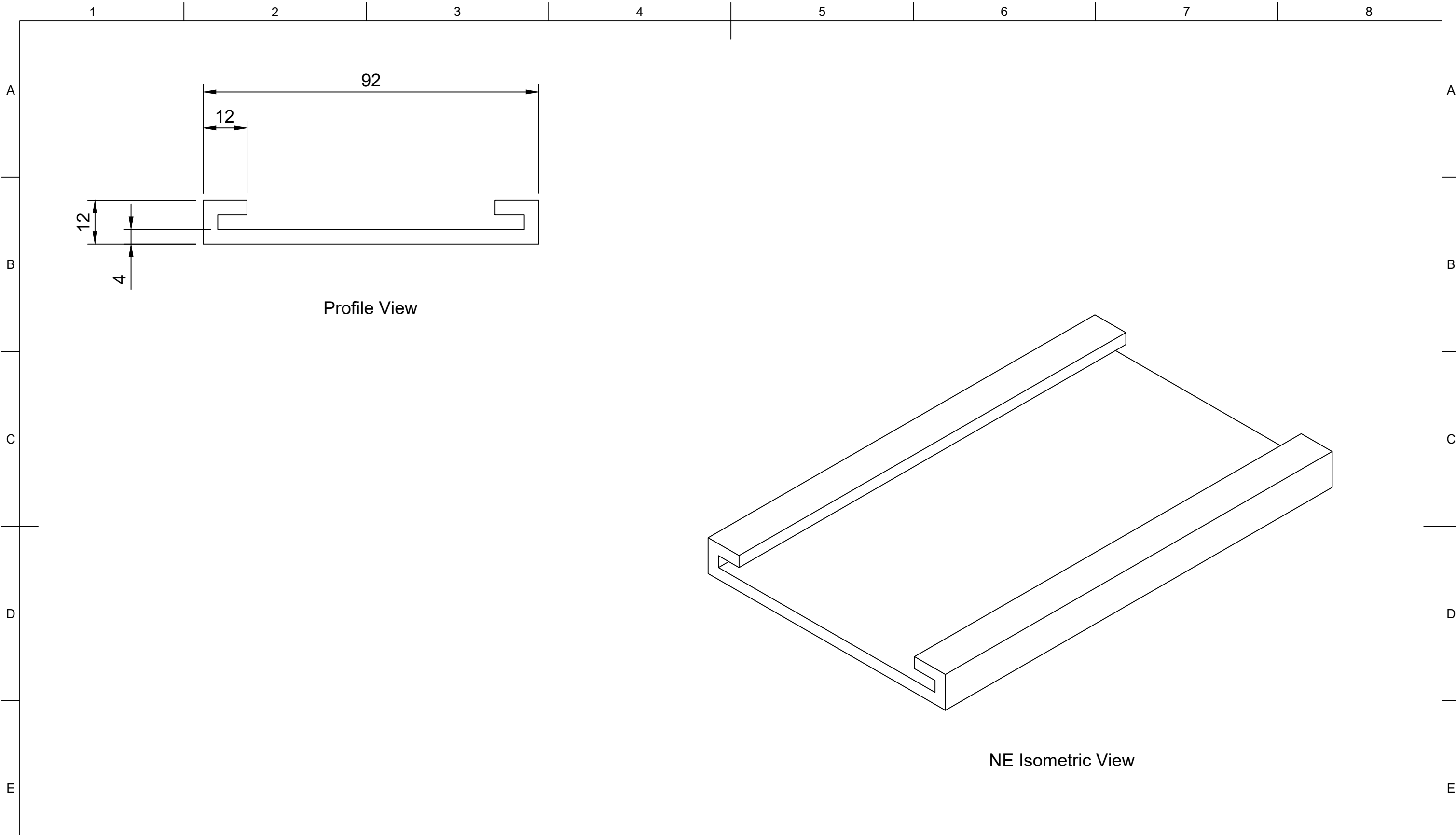


Part Number		206144			Created By	David Stirling	Cross Sectional Area (mm <sup>2</sup> )	90		Nominal Dimension (mm)		Tolerance, ± (mm)
					Date Drawn	21/04/2020	Material	EPDM	Greater Than	Less Than or Equal to		
Description		Tank Strap (Closed)			Approved By		Hardness (Shore A)	70		0.00	1.50	0.40
					Date of Approval		Colour	Black	1.50	2.50	0.50	
Revision	Date of Issue	Sheet Scale	Sheet Size	Sheet	Projection	3rd Agl. 	Weight (g/m)	110		2.50	4.00	0.70
A	18/01/2022	5:1	A3	1/1				6.30	10.00	1.00		
							10.00	16.00	1.30	16.00	25.00	1.60
							25.00	40.00	2.00	40.00	63.00	2.50
							63.00	100.00	3.20	63.00	100.00	3.20
							100.00		3.20%	100.00		3.20%




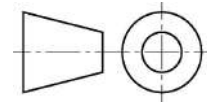


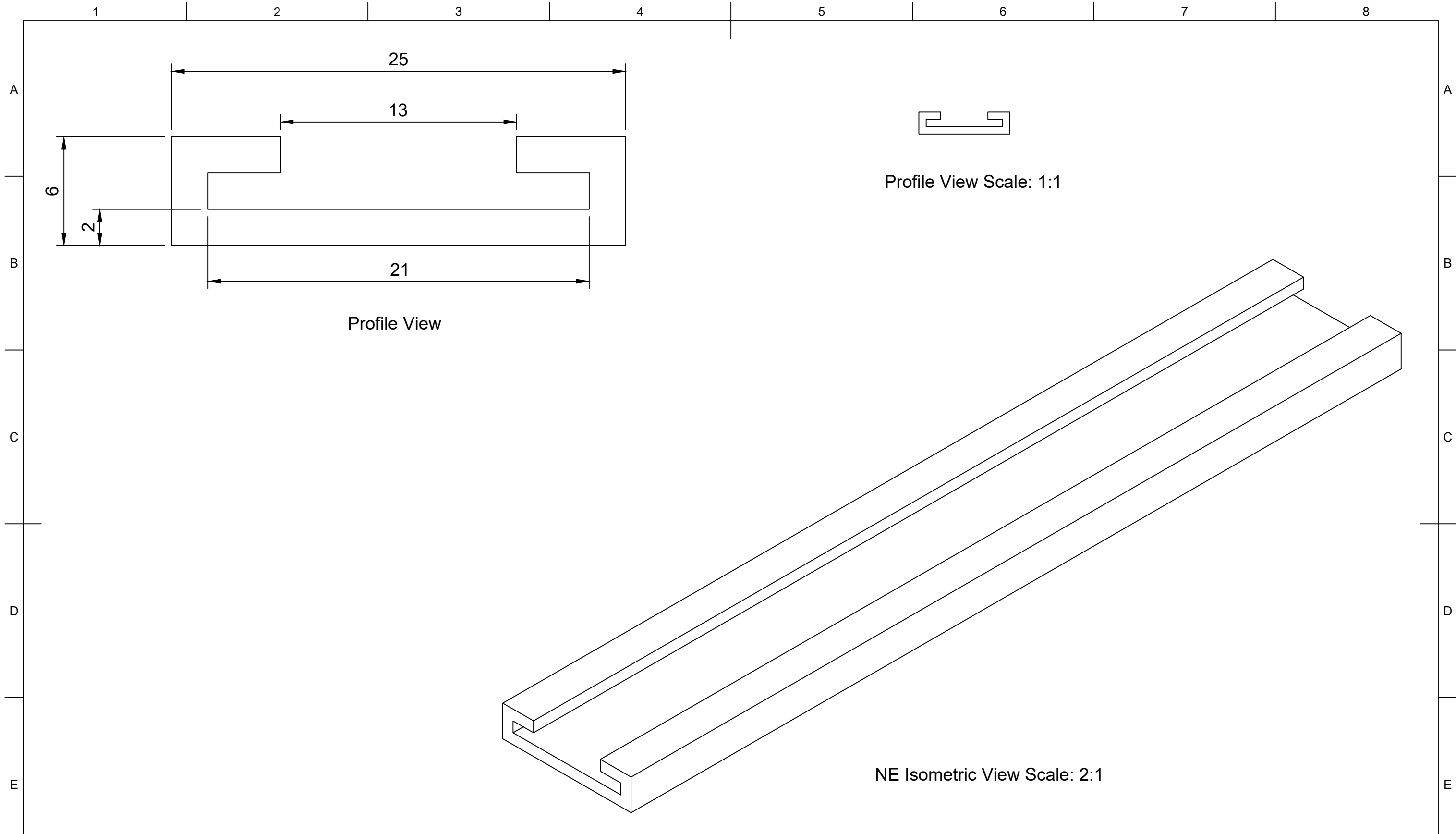
	<b>Part Number</b>				<b>Created By</b>		<b>Cross Sectional Area (mm<sup>2</sup>)</b>		<b>Nominal Dimension (mm)</b>		<b>Tolerance, ± (mm)</b>
	206806				David Stirling		19		<b>Greater Than</b>	<b>Less Than or Equal to</b>	0.40
					Date Drawn		Material		0.00	1.50	
	Tank Strap (Closed)				21/04/2020		EPDM		1.50	2.50	0.50
					<b>Approved By</b>		<b>Hardness (Shore A)</b>		2.50	4.00	0.70
					Date of Approval		70		4.00	6.30	0.80
					Black		6.30	10.00	1.00		
	Revision		Date of Issue		Projection		Weight (g/m)		10.00	16.00	1.30
	A	18/01/2022	Sheet Scale	Sheet Size	Sheet	3rd Agl. 	24		16.00	25.00	1.60
			10:1	A3	1/1				25.00	40.00	2.00
								40.00	63.00	2.50	
								63.00	100.00	3.20	
								100.00		3.20%	


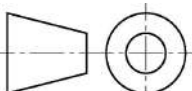


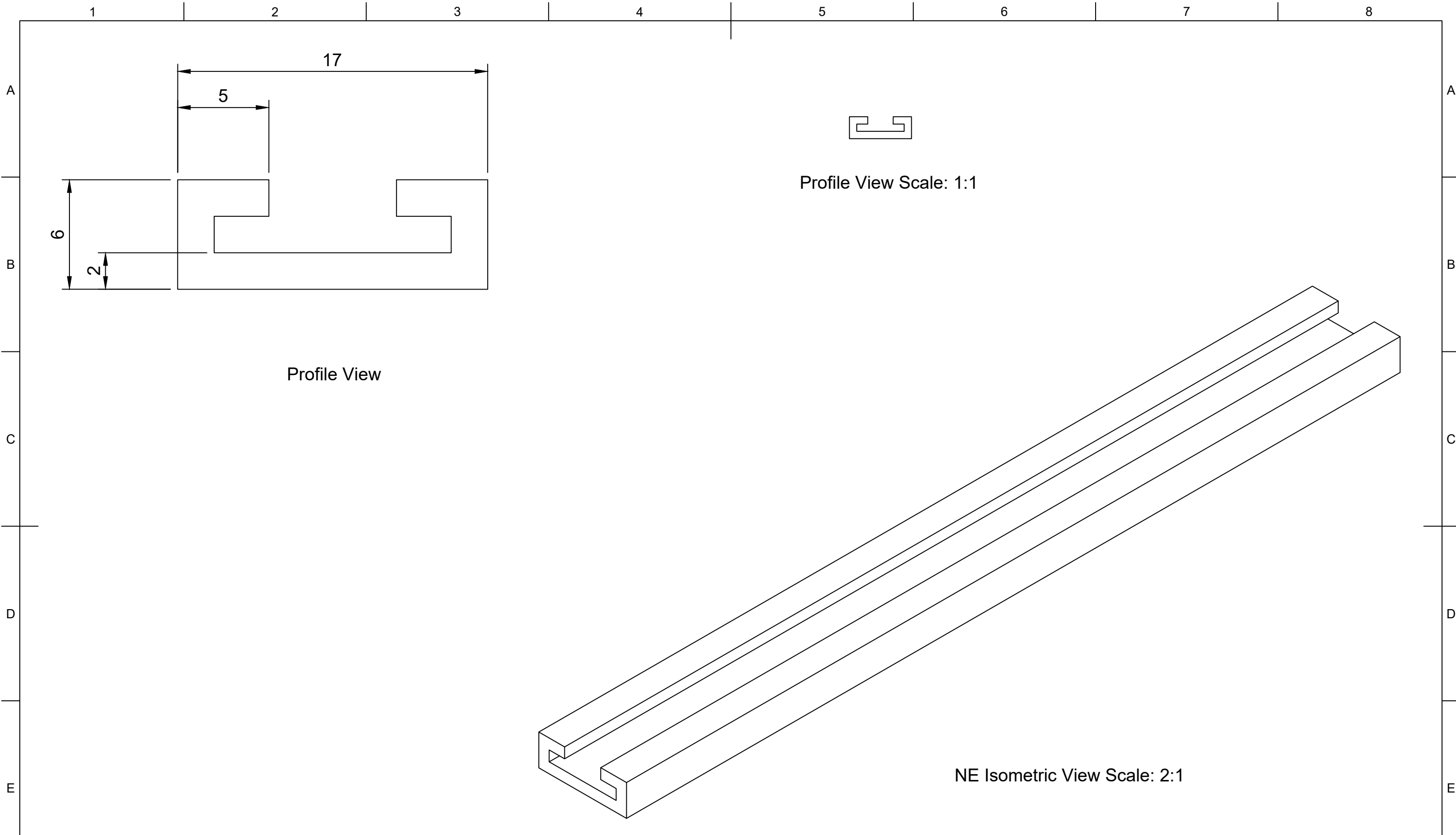
Profile View

NE Isometric View

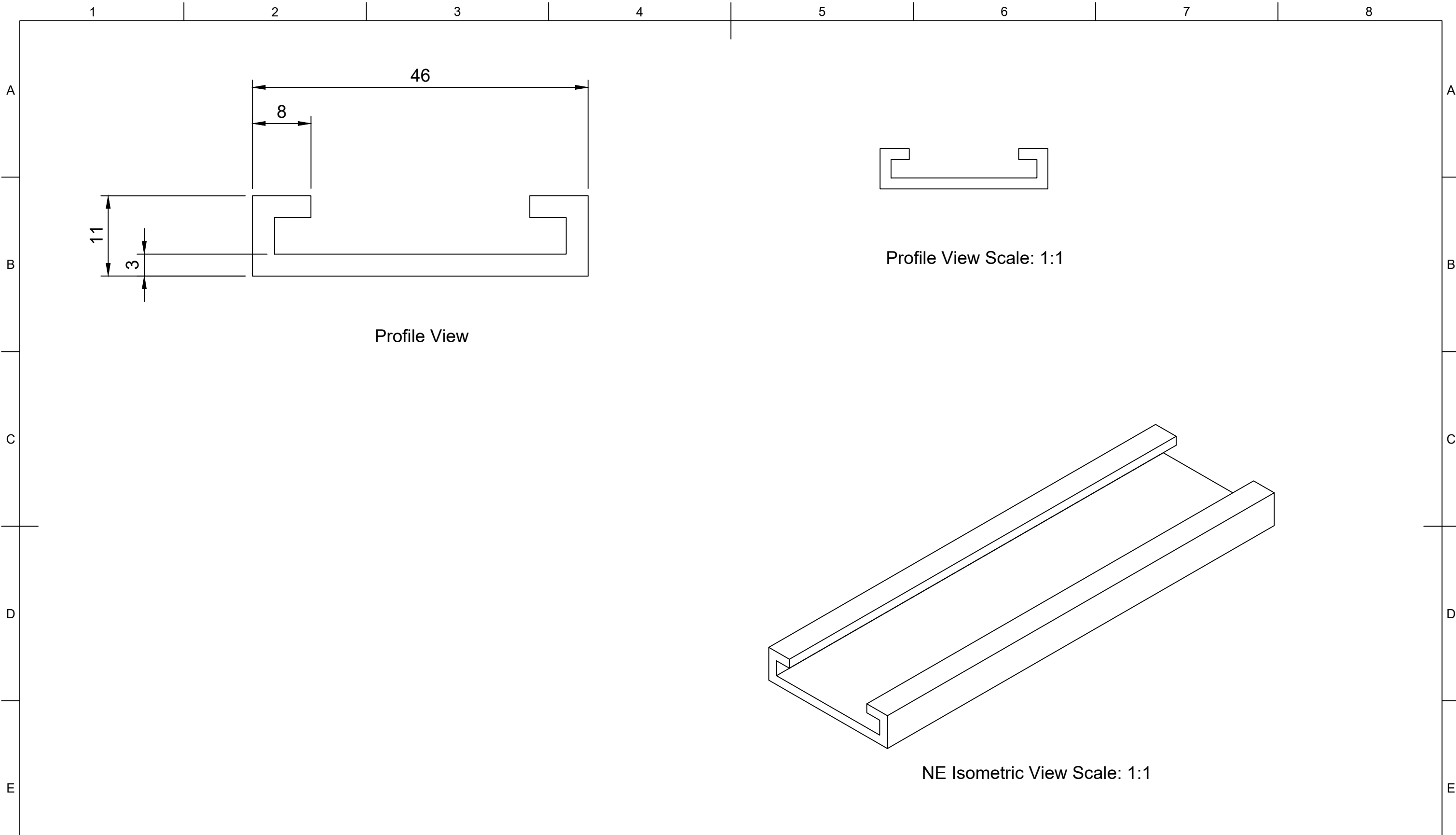
	Part Number				Created By		Cross Sectional Area (mm <sup>2</sup> )		Nominal Dimension (mm)		Tolerance, ± (mm)
	207719				David Stirling		496		Greater Than	Less Than or Equal to	
	Description				Date Drawn		Material		0.00		0.40
					21/04/2020		EPDM		1.50		0.50
	Tank Strap (Closed)				Approved By		Hardness (Shore A)		2.50		0.70
					Date of Approval		70		4.00		0.80
	Revision				Date of Approval		Colour		6.30		1.00
					Black		10.00		1.30		
	A		18/01/2022		Sheet Scale		Weight (g/m)		16.00		1.60
	1:1		A3		Sheet		466		25.00		2.00
1/1		Projection		3rd Agl.		40.00		40.00		2.50	
						63.00		63.00		3.20	
						100.00		100.00		3.20%	




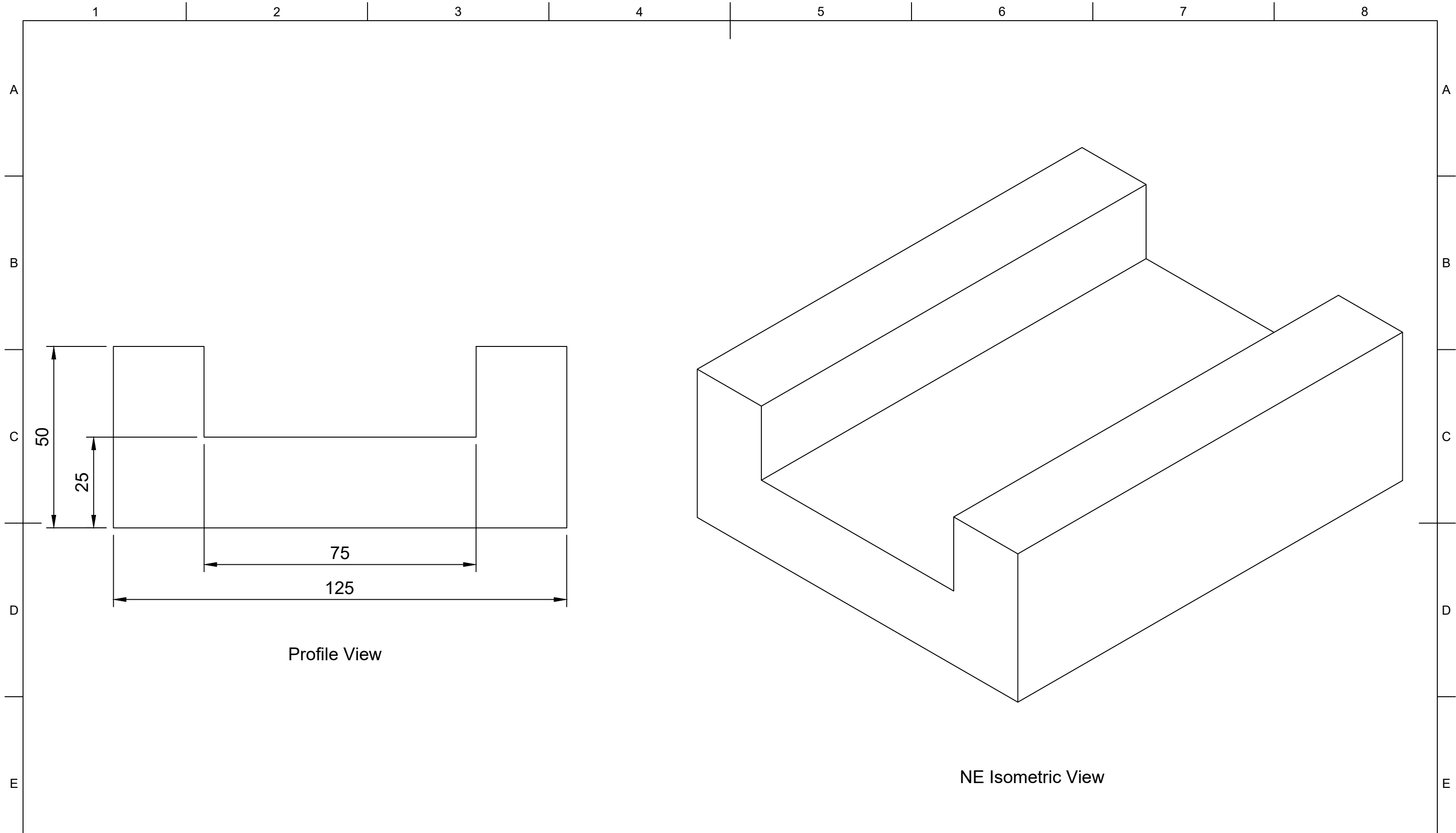
	<b>Part Number</b>				<b>Created By</b>		<b>Cross Sectional Area (mm<sup>2</sup>)</b>		<b>Nominal Dimension (mm)</b>		<b>Tolerance, ± (mm)</b>			
	208720				David Stirling		82		<b>Greater Than</b>	<b>Less Than or Equal to</b>	0.40			
					Date Drawn		Material		0.00	1.50				
	Tank Strap (Closed)				21/04/2020		EPDM		1.50	2.50	0.50			
					<b>Approved By</b>		<b>Hardness (Shore A)</b>		2.50	4.00	0.70			
					Date of Approval		70		4.00	6.30	0.80			
					Black		6.30	10.00	1.00					
	Revision		Date of Issue		Sheet Scale		Sheet Size		Sheet		Projection		Weight (g/m)	
	A		18/01/2022		5:1		A3		1/1		3rd Agl. 		102	
											25.00	40.00	2.00	
										40.00	63.00	2.50		
										63.00	100.00	3.20		
										100.00		3.20%		



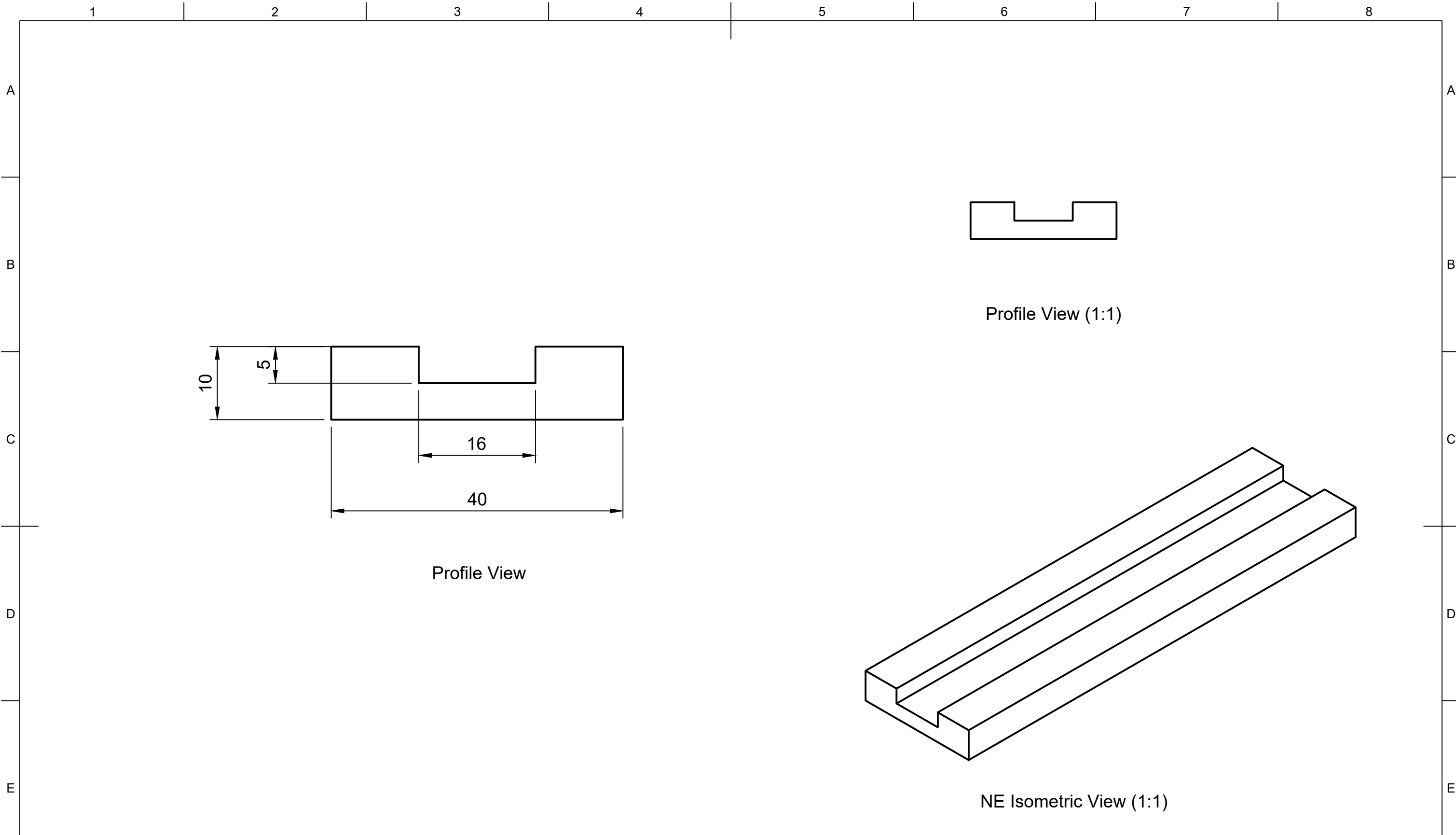
Part Number <b>209127</b>					Created By David Stirling		Cross Sectional Area (mm <sup>2</sup> ) 62		Nominal Dimension (mm)		Tolerance, ± (mm)
					Date Drawn 21/04/2020		Material EPDM		Greater Than	Less Than or Equal to	
Description <b>Tank Strap (Closed)</b>					Approved By		Hardness (Shore A) 70		0.00	1.50	0.40
					Date of Approval		Colour Black		1.50	2.50	0.50
Revision A	Date of Issue 18/01/2022	Sheet Scale 5:1	Sheet Size A3	Sheet 1/1	Projection 3rd Agl.	Weight (g/m) 80		2.50	4.00	0.70	
									4.00	6.30	0.80
								6.30	10.00	1.00	
								10.00	16.00	1.30	
								16.00	25.00	1.60	
								25.00	40.00	2.00	
								40.00	63.00	2.50	
								63.00	100.00	3.20	
								100.00		3.20%	



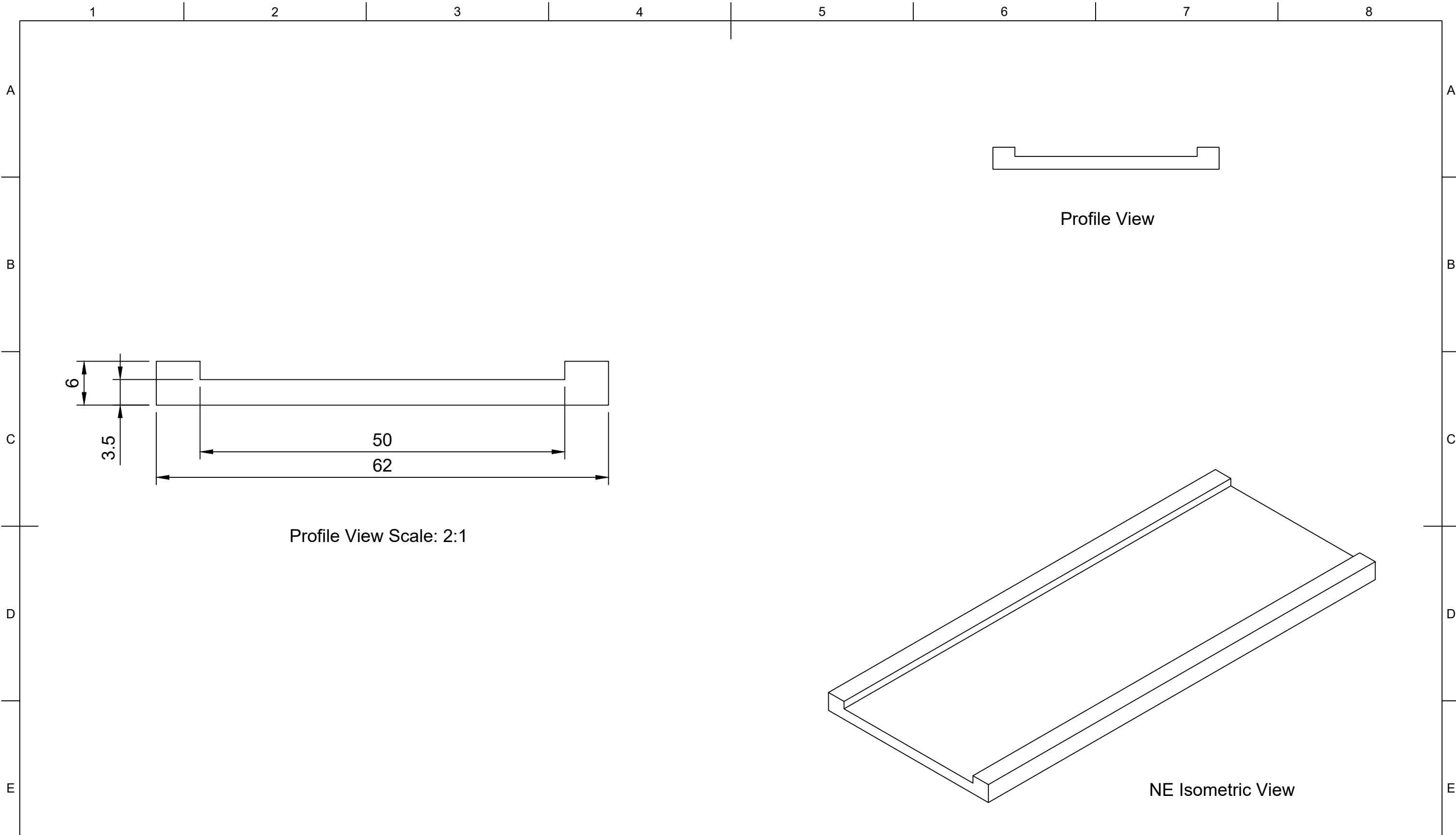
	<b>Part Number</b>				<b>Created By</b>		<b>Cross Sectional Area (mm<sup>2</sup>)</b>		<b>Nominal Dimension (mm)</b>		<b>Tolerance, ± (mm)</b>
	209839				David Stirling		216		<b>Greater Than</b>	<b>Less Than or Equal to</b>	
	<b>Description</b>				<b>Date Drawn</b>		<b>Material</b>		0.00		0.40
					21/04/2020		EPDM		1.50		0.50
	Tank Strap (Closed)				<b>Approved By</b>		<b>Hardness (Shore A)</b>		2.50		0.70
					Date of Approval		70		4.00		0.80
	Revision				3rd Agl.		Weight (g/m)		6.30		1.00
									18/01/2022		270
	Date of Issue				Projection		Colour		16.00		1.60
	Sheet Scale				3rd Agl.		Black		25.00		2.00
Sheet Size				3rd Agl.		Black		40.00		2.50	
Sheet				3rd Agl.		Black		63.00		3.20	
Sheet				3rd Agl.		Black		100.00		3.20%	



<b>WALKERRUBBER</b> LTD	<b>Part Number</b>				<b>Created By</b>		<b>Cross Sectional Area (mm<sup>2</sup>)</b>		<b>Nominal Dimension (mm)</b>		<b>Tolerance, ± (mm)</b>
	202000				David Stirling		4375		<b>Greater Than</b>	<b>Less Than or Equal to</b>	
	<b>Description</b>				<b>Date Drawn</b>		<b>Material</b>		0.00	1.50	0.40
					12/11/2020		EPDM		1.50	2.50	0.50
	U Channel - Square base, Square Centre				<b>Approved By</b>		<b>Hardness (Shore A)</b>		2.50	4.00	0.70
					<b>Date of Approval</b>		80		4.00	6.30	0.80
							Black		6.30	10.00	1.00
									10.00	16.00	1.30
	<b>Revision</b>	<b>Date of Issue</b>	<b>Sheet Scale</b>	<b>Sheet Size</b>	<b>Sheet</b>	<b>Projection</b>	<b>Weight (kg/m)</b>		16.00	25.00	1.60
	A	13/01/2022	1:1	A3	1/1	3rd Agl.	5.513		25.00	40.00	2.00
								40.00	63.00	2.50	
								63.00	100.00	3.20	
								100.00		3.20%	

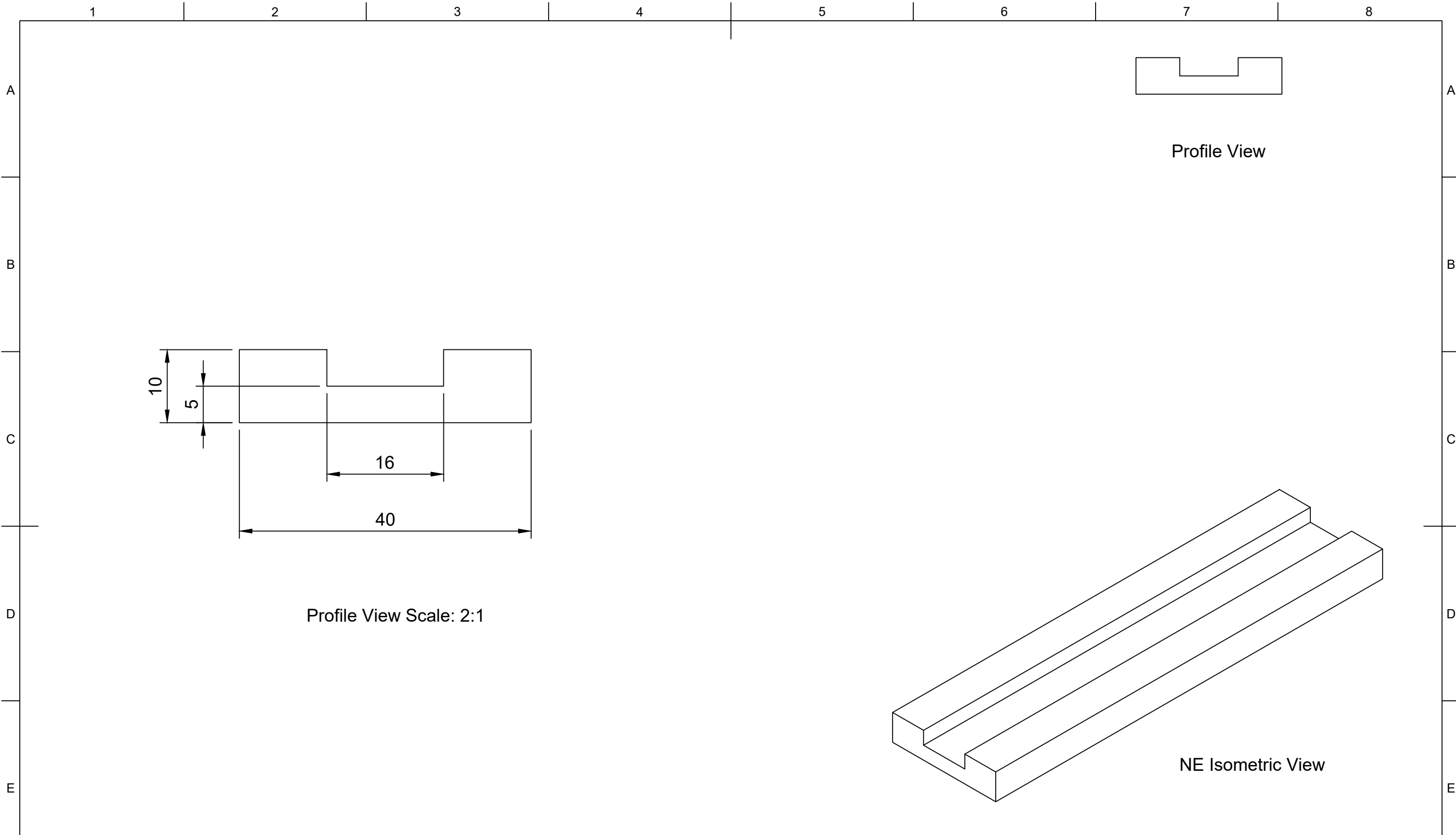


	<b>Part Number</b>				<b>Created By</b>		<b>Cross Sectional Area (mm<sup>2</sup>)</b>		<b>Nominal Dimension (mm)</b>		<b>Tolerance, ± (mm)</b>
	202474				David Stirling		320		<b>Greater Than</b>	<b>Less Than or Equal to</b>	
	<b>Description</b>				<b>Date Drawn</b>		<b>Material</b>		0.00	1.50	0.40
	Tank Strap (Open)				26/01/2022		Nitrile		1.50	2.50	0.50
	<b>Revision</b>				<b>Approved By</b>		<b>Hardness (Shore A)</b>		2.50	4.00	0.70
	A	<b>Date of Issue</b>		<b>Sheet Scale</b>	<b>Sheet Size</b>	<b>Sheet</b>	<b>Date of Approval</b>		4.00	6.30	0.80
		26/01/2022		2:1	A3	1/1	3rd Agl.		6.30	10.00	1.00
							<b>Weight (g/m)</b>		10.00	16.00	1.30
							387		16.00	25.00	1.60
									25.00	40.00	2.00
								40.00	63.00	2.50	
								63.00	100.00	3.20	
								100.00		3.20%	

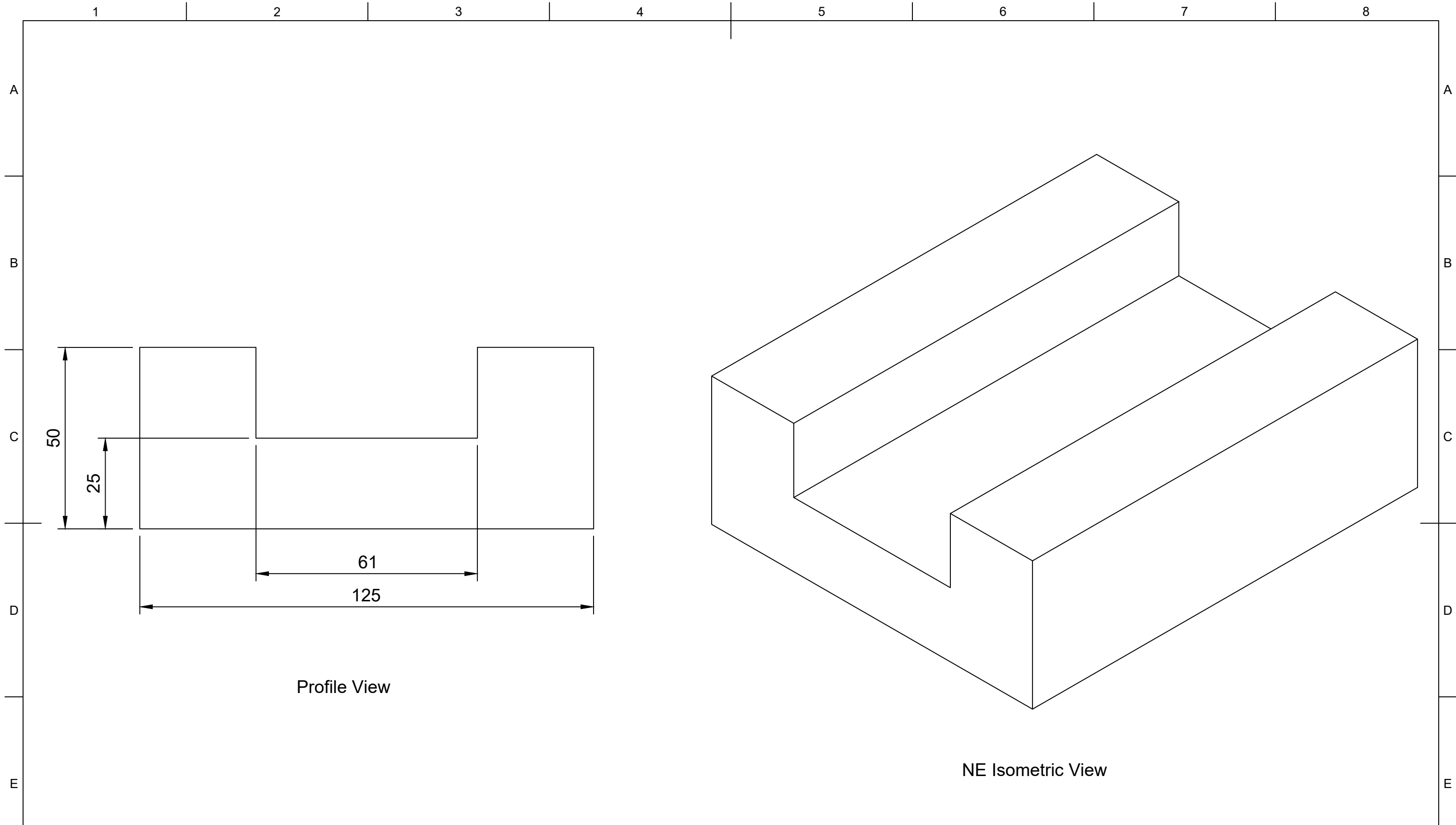


Part Number		205064			Created By	David Stirling	Cross Sectional Area (mm <sup>2</sup> )	247		Nominal Dimension (mm)		Tolerance, ± (mm)
					Date Drawn	28/04/2020	Material	EPDM	Greater Than	Less Than or Equal to		
Description		Tank Strap (Open)			Approved By		Hardness (Shore A)	70		0.00	1.50	0.40
					Date of Approval		Colour	Black	1.50	2.50	0.50	
Revision	Date of Issue	Sheet Scale	Sheet Size	Sheet	Projection	3rd Agl.	Weight (g/m)	311		2.50	4.00	0.70
A	19/01/2022	1:1	A3	1/1			25.00	40.00	2.00			
										63.00	100.00	3.20
										100.00		3.20%




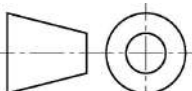


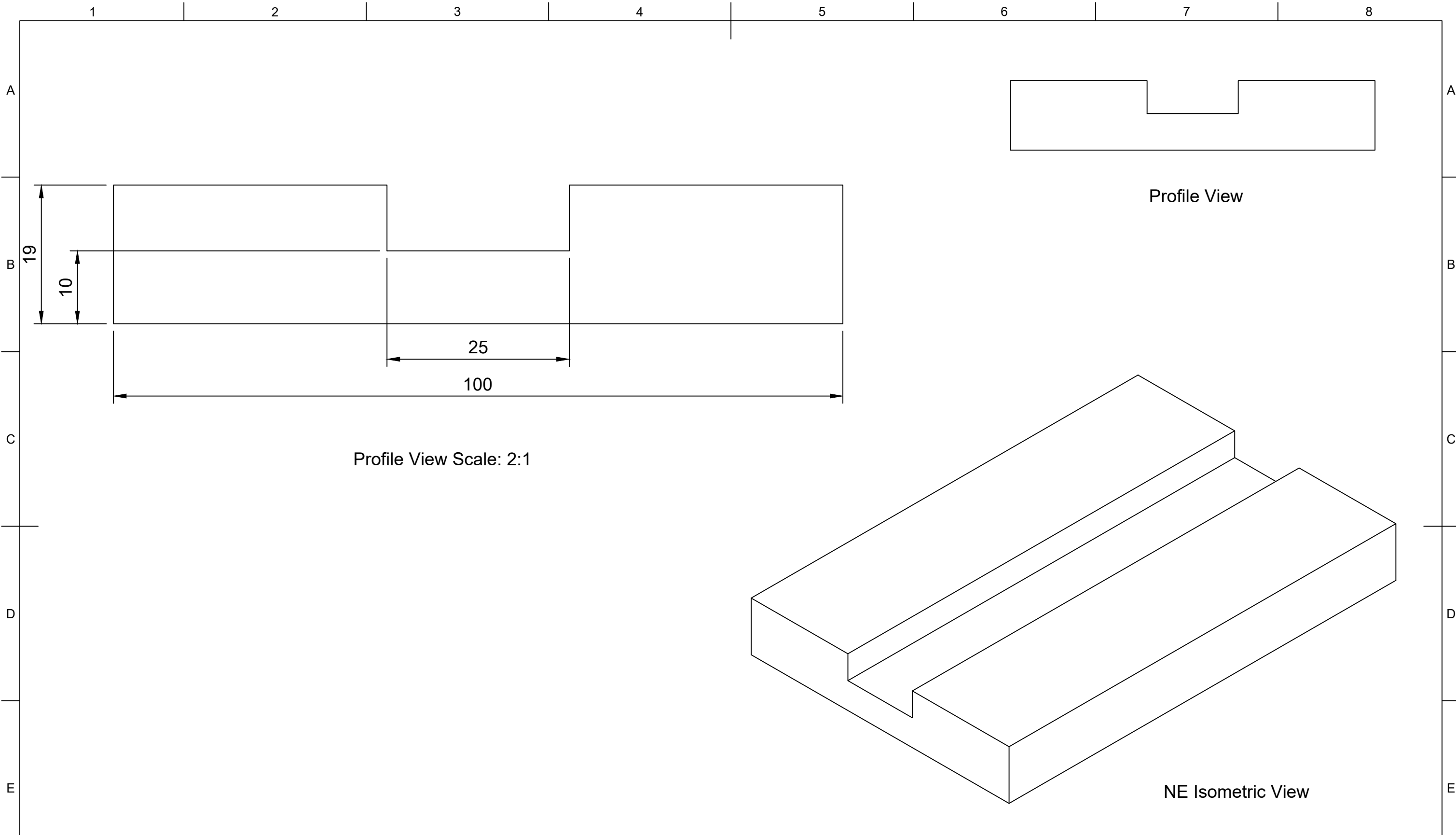
	<b>Part Number</b>				<b>Created By</b>		<b>Cross Sectional Area (mm<sup>2</sup>)</b>		<b>Nominal Dimension (mm)</b>		<b>Tolerance, ± (mm)</b>									
	205814				David Stirling		320		<b>Greater Than</b>	<b>Less Than or Equal to</b>										
	<b>Description</b>				<b>Date Drawn</b>		<b>Material</b>		0.00		1.50		0.40							
									1.50		2.50		0.50							
	Tank Strap (Open)				<b>Approved By</b>		<b>Hardness (Shore A)</b>		2.50		4.00		0.70							
									4.00		6.30		0.80							
									<b>Date of Approval</b>		<b>Colour</b>		6.30		10.00		1.00			
													10.00		16.00		1.30			
	<b>Revision</b>		<b>Date of Issue</b>		<b>Sheet Scale</b>		<b>Sheet Size</b>		<b>Sheet</b>		<b>Projection</b>		<b>Weight (g/m)</b>		16.00		25.00		1.60	
															25.00		40.00		2.00	
40.00															63.00		2.50			
63.00															100.00		3.20			
100.00															—		3.20%			
A		26/01/2022		1:1		A3		1/1		3rd Agl.		403								



Profile View

NE Isometric View

	<b>Part Number</b>				<b>Created By</b>		<b>Cross Sectional Area (mm<sup>2</sup>)</b>		<b>Nominal Dimension (mm)</b>		<b>Tolerance, ± (mm)</b>
	207547				David Stirling		4725		<b>Greater Than</b>	<b>Less Than or Equal to</b>	
	<b>Description</b>				<b>Date Drawn</b>		<b>Material</b>		0.00	1.50	0.40
					12/11/2020		EPDM		1.50	2.50	0.50
	U Channel - Square Base, Square Centre				<b>Approved By</b>		<b>Hardness (Shore A)</b>		2.50	4.00	0.70
					<b>Date of Approval</b>		80		4.00	6.30	0.80
							Black		6.30	10.00	1.00
									10.00	16.00	1.30
	<b>Revision</b>	<b>Date of Issue</b>	<b>Sheet Scale</b>	<b>Sheet Size</b>	<b>Sheet</b>	<b>Projection</b>	<b>Weight (kg/m)</b>		16.00	25.00	1.60
	A	13/01/2022	1:1	A3	1/1	3rd Agl. 	5.954		25.00	40.00	2.00
								40.00	63.00	2.50	
								63.00	100.00	3.20	
								100.00		3.20%	



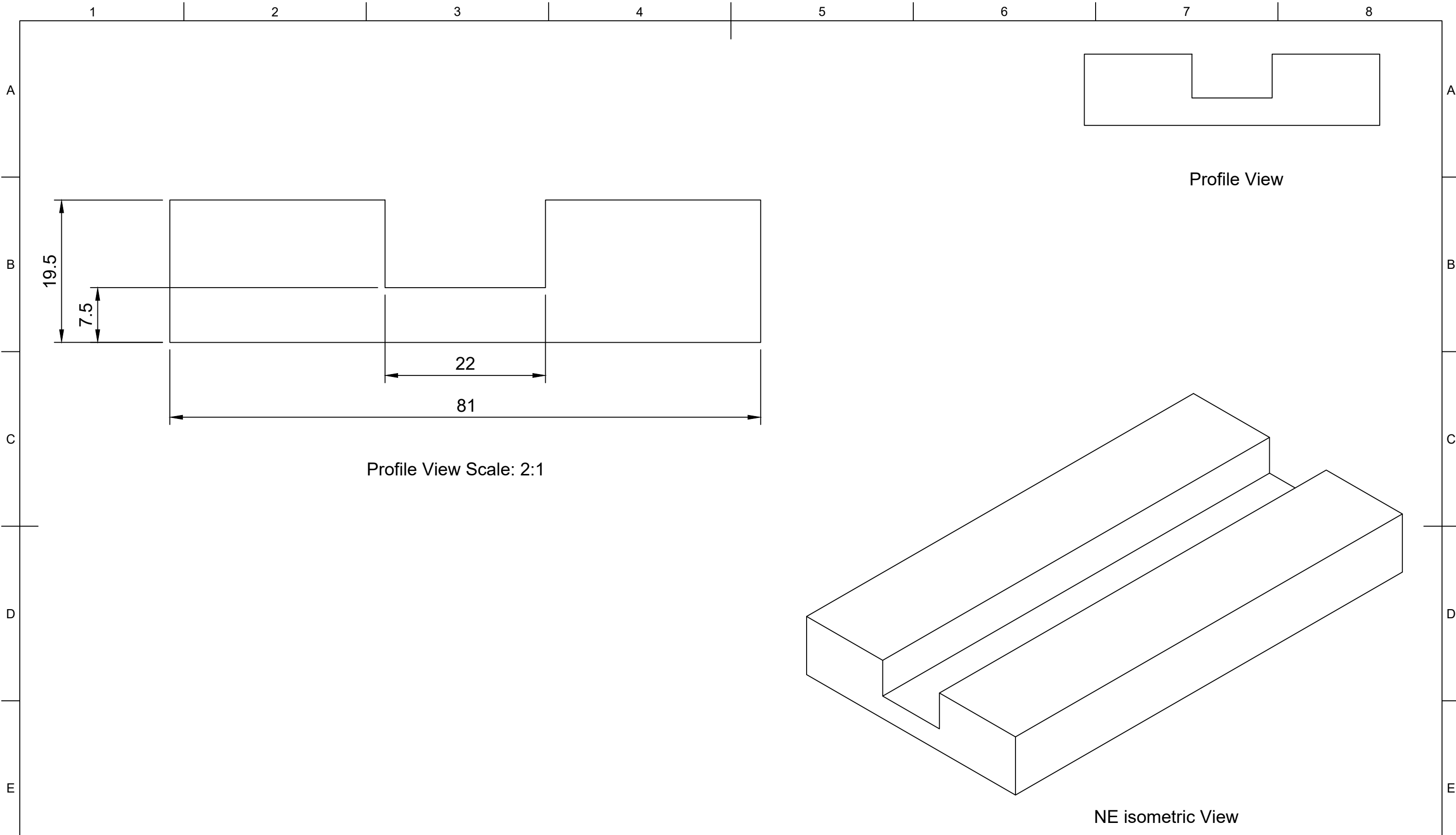
Profile View Scale: 2:1

Profile View

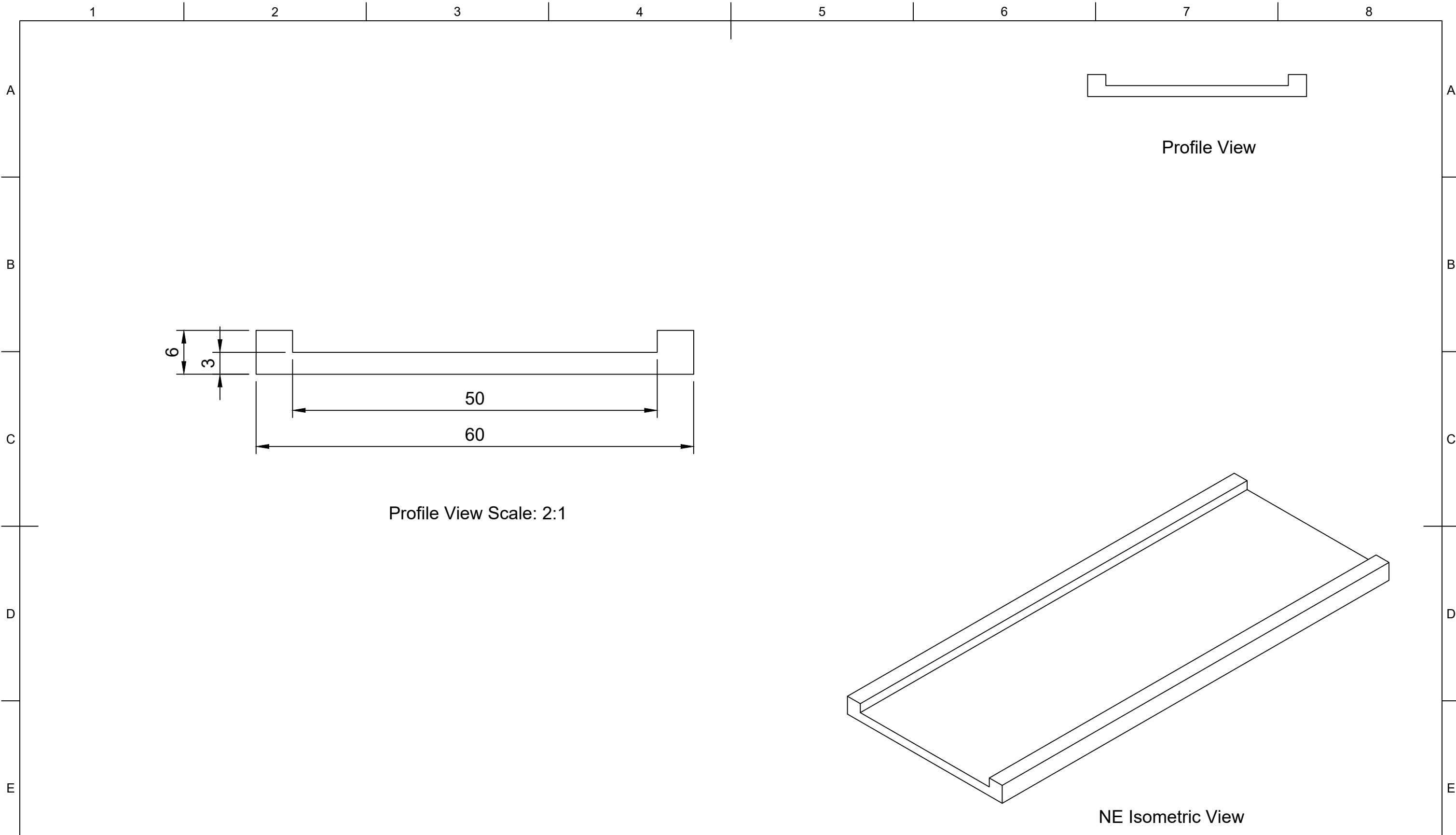
NE Isometric View



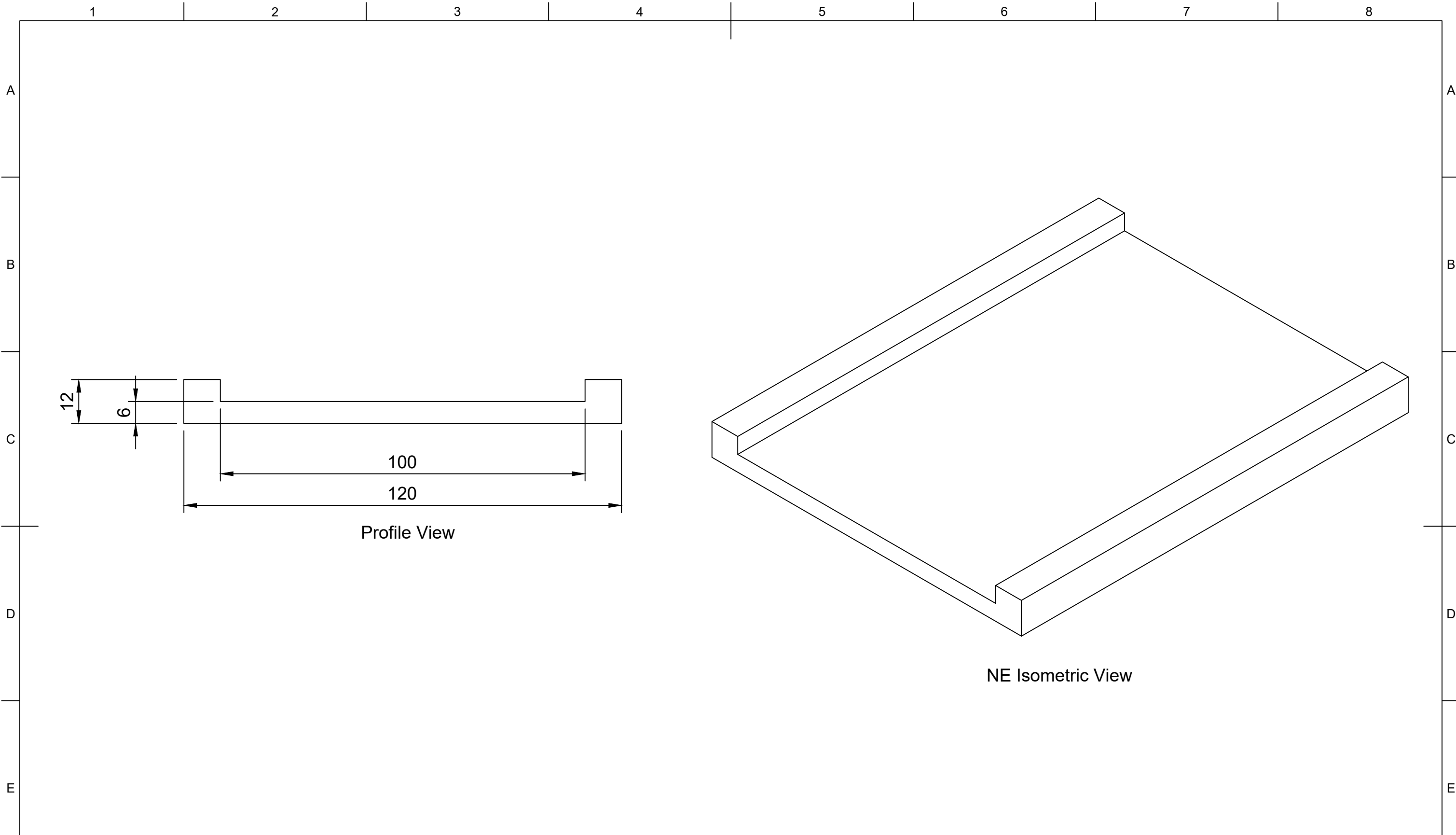
	<b>Part Number</b>				<b>Created By</b>		<b>Cross Sectional Area (mm<sup>2</sup>)</b>		<b>Nominal Dimension (mm)</b>		<b>Tolerance, ± (mm)</b>
	207629				Kev Parkin		1675		<b>Greater Than</b>	<b>Less Than or Equal to</b>	
	<b>Description</b>				<b>Date Drawn</b>		<b>Material</b>		0.00	1.50	0.40
	Tank Strap (Open)				24/07/2020		EPDM		1.50	2.50	0.50
	<b>Revision</b>				<b>Approved By</b>		<b>Hardness (Shore A)</b>		2.50	4.00	0.70
	A	<b>Date of Issue</b>		<b>Sheet Scale</b>	<b>Sheet Size</b>	<b>Sheet</b>	Adam Harvey		4.00	6.30	0.80
		05/08/2020		1:1	A3	1/1	Date of Approval		6.30	10.00	1.00
							05/08/2020		10.00	16.00	1.30
							<b>Projection</b>		16.00	25.00	1.60
							3rd Agl.		25.00	40.00	2.00
						<b>Weight (kg/m)</b>		40.00	63.00	2.50	
						2.111		63.00	100.00	3.20	
								100.00		3.20%	



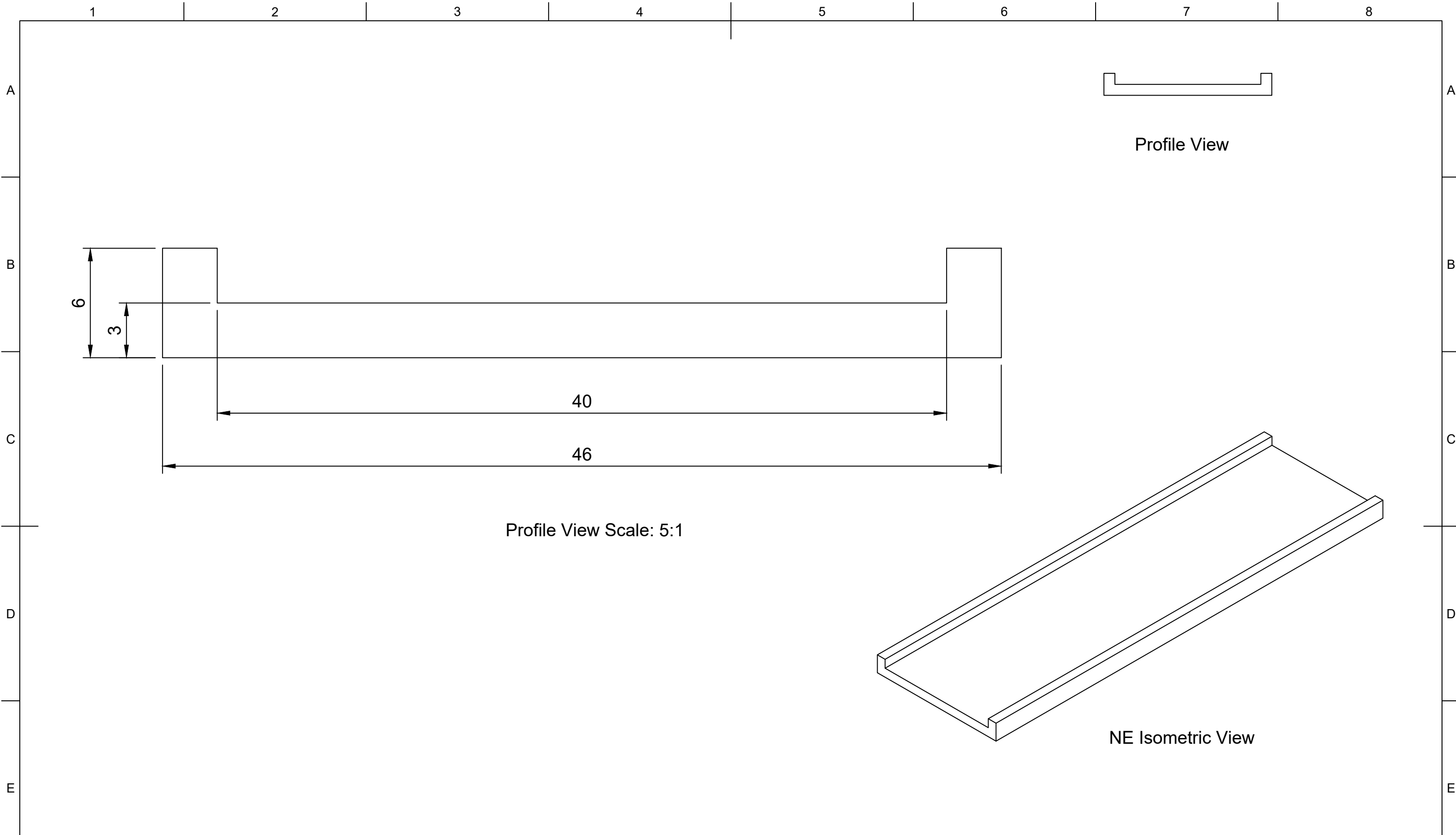
	<b>Part Number</b>				<b>Created By</b>		<b>Cross Sectional Area (mm<sup>2</sup>)</b>		<b>Nominal Dimension (mm)</b>		<b>Tolerance, ± (mm)</b>
	200367				Isaac Erskine		1316		<b>Greater Than</b>	<b>Less Than or Equal to</b>	
					<b>Date Drawn</b>		<b>Material</b>		0.00	1.50	0.40
					11/08/2020		EPDM		1.50	2.50	0.50
	<b>Description</b>				<b>Approved By</b>		<b>Hardness (Shore A)</b>		2.50	4.00	0.70
	Tank Strap (Open)				Isaac Erskine		70		4.00	6.30	0.80
					<b>Date of Approval</b>		<b>Colour</b>		6.30	10.00	1.00
					16/02/2022		Black		10.00	16.00	1.30
									16.00	25.00	1.60
									25.00	40.00	2.00
<b>Revision</b>	<b>Date of Issue</b>	<b>Sheet Scale</b>	<b>Sheet Size</b>	<b>Sheet</b>	<b>Projection</b>	<b>Weight (g/m)</b>		40.00	63.00	2.50	
A	16/02/2022	1:1	A3	1/1	3rd Agl.	1.658		63.00	100.00	3.20	
								100.00		3.20%	


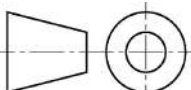


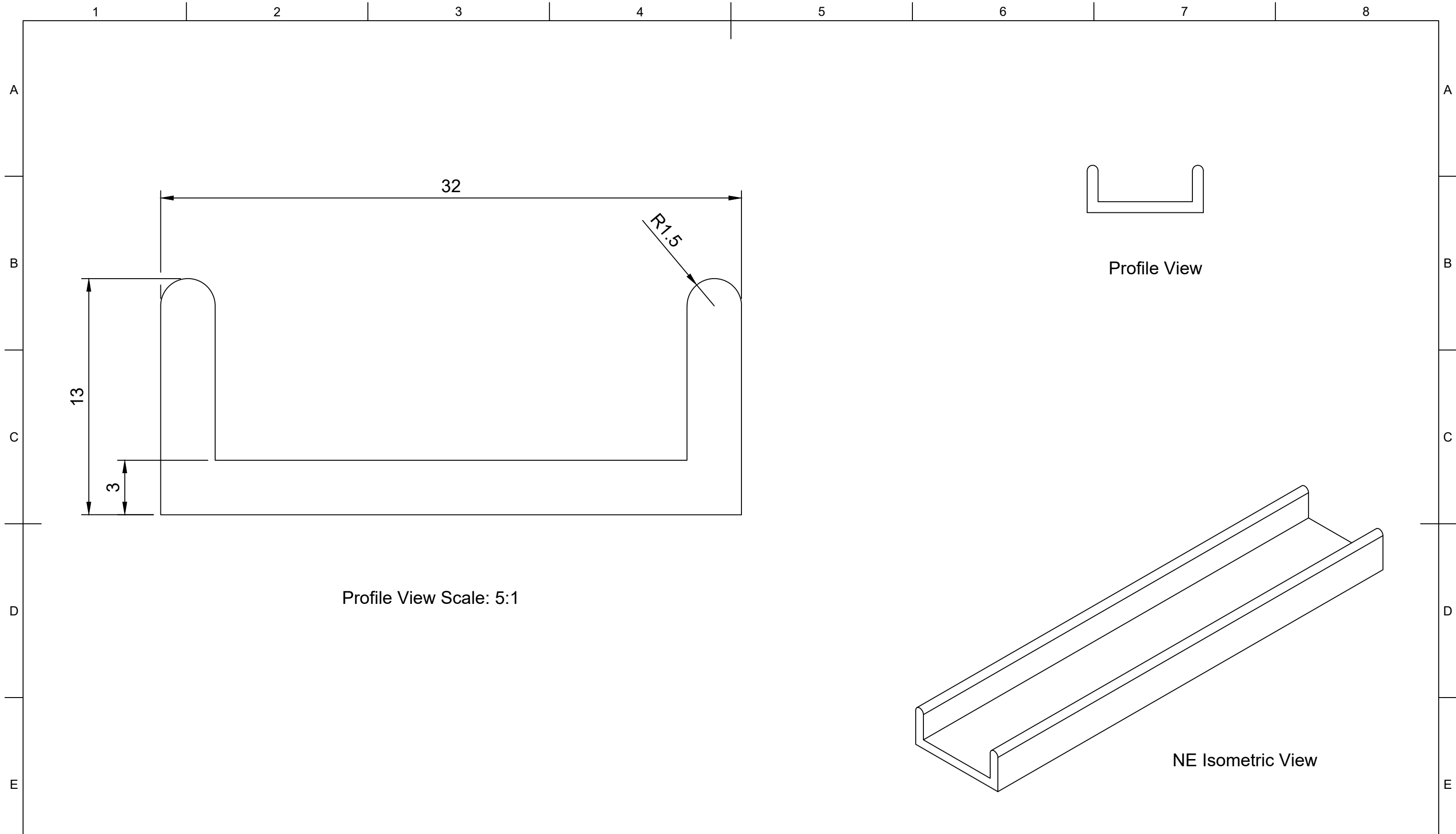
	<b>Part Number</b>				<b>Created By</b>		<b>Cross Sectional Area (mm<sup>2</sup>)</b>		<b>Nominal Dimension (mm)</b>		<b>Tolerance, ± (mm)</b>
	206919				Isaac Erskine		210		<b>Greater Than</b>	<b>Less Than or Equal to</b>	
	<b>Description</b>				<b>Date Drawn</b>		<b>Material</b>		0.00	1.50	0.40
	Tank Strap (Open)				12/08/2020		Nitrile		1.50	2.50	0.50
	<b>Revision</b>				<b>Approved By</b>		<b>Hardness (Shore A)</b>		2.50	4.00	0.70
	A	16/02/2022		Isaac Erskine		70		4.00	6.30	0.80	
	<b>Date of Issue</b>		<b>Sheet Scale</b>		<b>Date of Approval</b>		<b>Colour</b>		6.30	10.00	1.00
	16/02/2022		1:1		16/02/2022		Black		10.00	16.00	1.30
	<b>Sheet Size</b>		<b>Sheet</b>		<b>Projection</b>		<b>Weight (g/m)</b>		16.00	25.00	1.60
	A3		1/1		3rd Agl.		254		25.00	40.00	2.00
								40.00	63.00	2.50	
								63.00	100.00	3.20	
								100.00		3.20%	


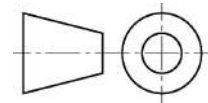


<b>WALKERRUBBER</b> LTD	<b>Part Number</b>				<b>Created By</b>		<b>Cross Sectional Area (mm<sup>2</sup>)</b>		<b>Nominal Dimension (mm)</b>		<b>Tolerance, ± (mm)</b>
	206094				Isaac Erskine		840		<b>Greater Than</b>	<b>Less Than or Equal to</b>	
	<b>Description</b>				<b>Date Drawn</b>		<b>Material</b>		0.00	1.50	0.40
	Tank Strap (Open)				06/08/2020		EPDM		1.50	2.50	0.50
	<b>Revision</b>				<b>Approved By</b>		<b>Hardness (Shore A)</b>		2.50	4.00	0.70
	A	<b>Date of Issue</b>		<b>Sheet Scale</b>	<b>Sheet Size</b>	<b>Sheet</b>	Isaac Erskine		4.00	6.30	0.80
		16/02/2022		1:1	A3	1/1	16/02/2022		6.30	10.00	1.00
	<b>Projection</b>				<b>Date of Approval</b>		<b>Colour</b>		10.00	16.00	1.30
	3rd Agl.				16/02/2022		Black		16.00	25.00	1.60
	<b>Weight (kg/m)</b>								25.00	40.00	2.00
								40.00	63.00	2.50	
								63.00	100.00	3.20	
								100.00		3.20%	

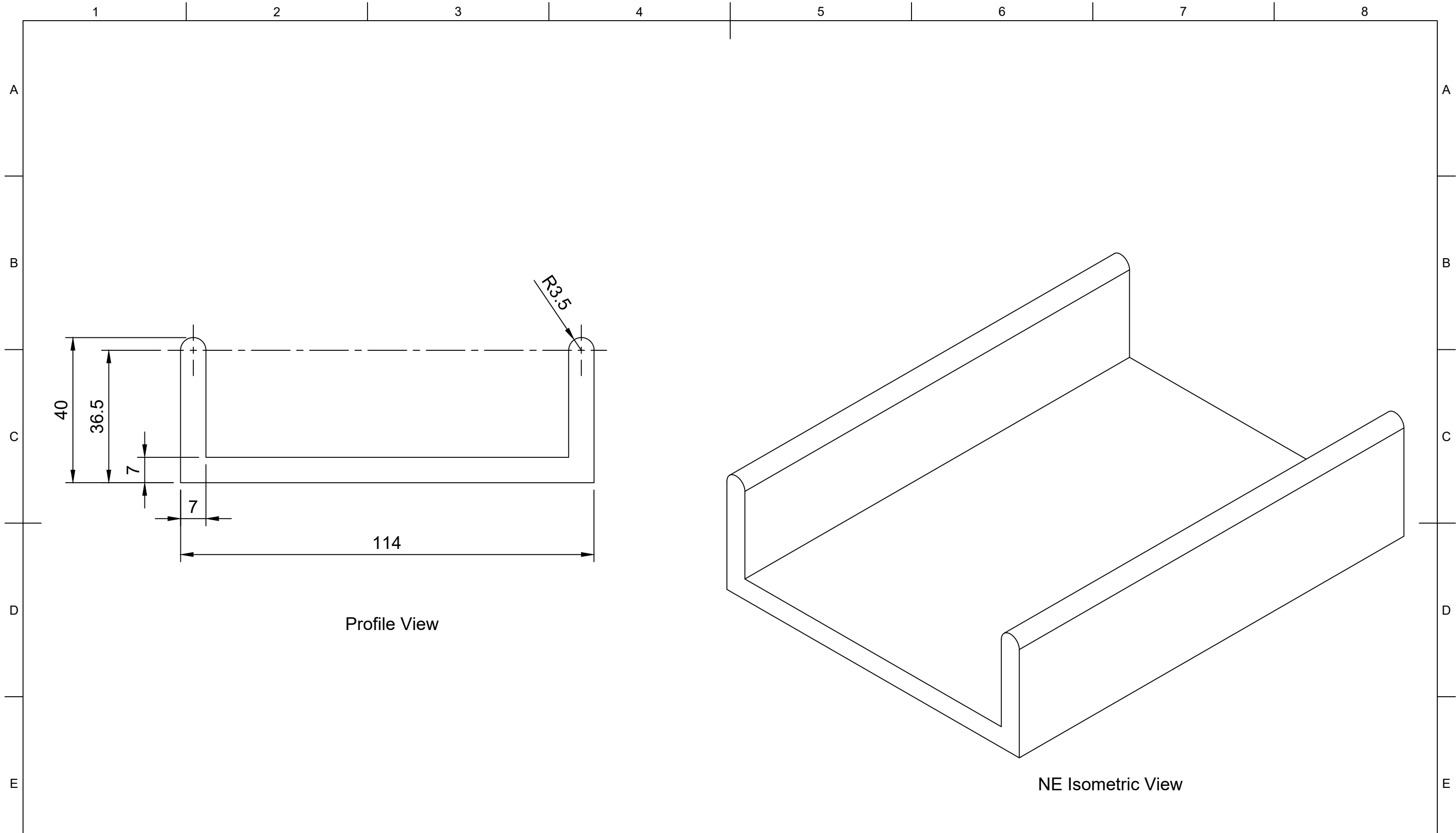



	<b>Part Number</b>				<b>Created By</b>		<b>Cross Sectional Area (mm<sup>2</sup>)</b>		<b>Nominal Dimension (mm)</b>		<b>Tolerance, ± (mm)</b>	
	200279				Isaac Erskine		156		<b>Greater Than</b>	<b>Less Than or Equal to</b>		
	<b>Description</b>				<b>Date Drawn</b>		<b>Material</b>		0.00		0.40	
	Tank Strap (Open)				26/09/2020		Nitrile		1.50		0.50	
	<b>Revision</b>				<b>Approved By</b>		<b>Hardness (Shore A)</b>		2.50		0.70	
	A	<b>Date of Issue</b>		<b>Sheet Scale</b>		Isaac Erskine		70		4.00		0.80
		16/02/2022		1:1		16/02/2022		Colour		6.30		1.00
				A3		Date of Approval		Black		10.00		1.30
				1/1		16/02/2022		Weight (g/m)		16.00		1.60
						Projection		189		25.00		2.00
					3rd Agl. 				40.00		2.50	
									63.00		3.20	
									100.00		3.20%	

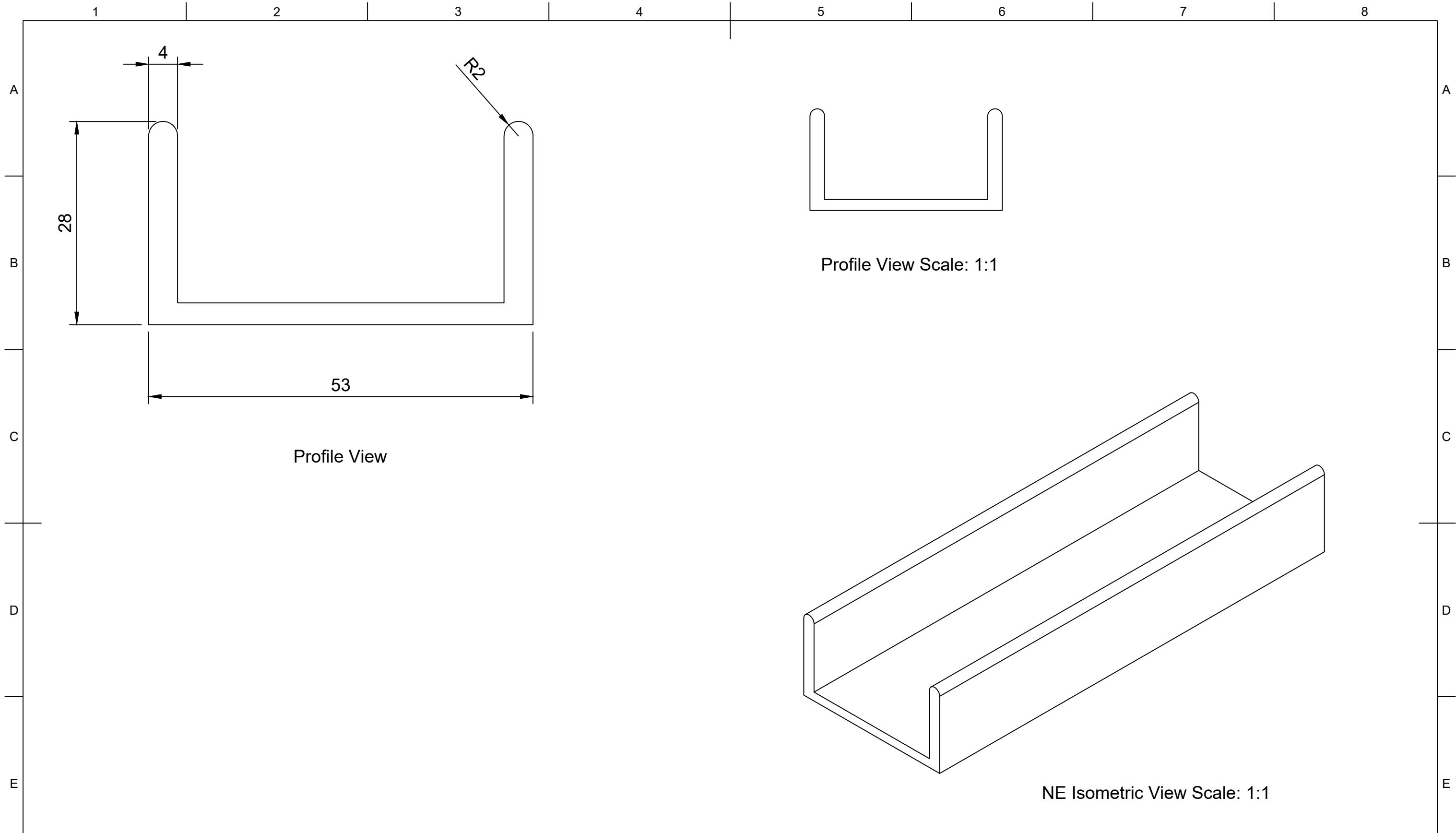



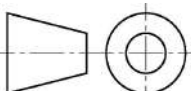
	<b>Part Number</b>				<b>Created By</b>		<b>Cross Sectional Area (mm<sup>2</sup>)</b>		<b>Nominal Dimension (mm)</b>		<b>Tolerance, ± (mm)</b>
	202732				David Stirling		154		<b>Greater Than</b>	<b>Less Than or Equal to</b>	
	<b>Description</b>				<b>Date Drawn</b>		<b>Material</b>		0.00	1.50	0.40
					27/04/2020		Neoprene		1.50	2.50	0.50
	Tank Strap (Open, Round)				<b>Approved By</b>		<b>Hardness (Shore A)</b>		2.50	4.00	0.70
							70		4.00	6.30	0.80
							<b>Date of Approval</b>		<b>Colour</b>		6.30
							Black		10.00	16.00	1.30
							<b>Projection</b>		<b>Weight (g/m)</b>		16.00
					3rd Agl. 		190		25.00	40.00	2.00
									40.00	63.00	2.50
								63.00	100.00	3.20	
								100.00		3.20%	
<b>Revision</b>	<b>Date of Issue</b>	<b>Sheet Scale</b>	<b>Sheet Size</b>	<b>Sheet</b>							
A	19/01/2022	1:1	A3	1/1							

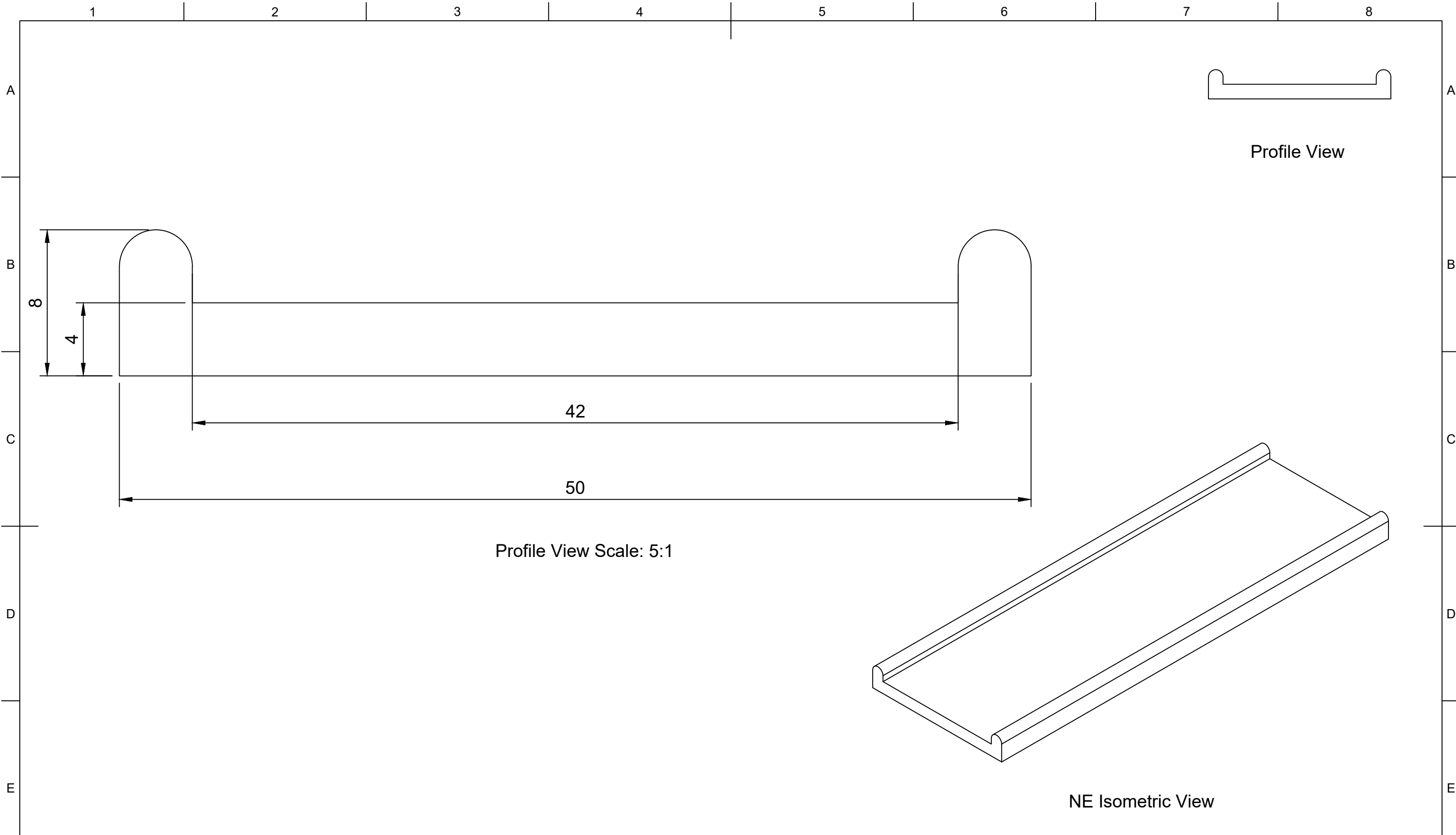



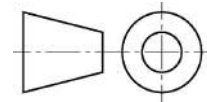


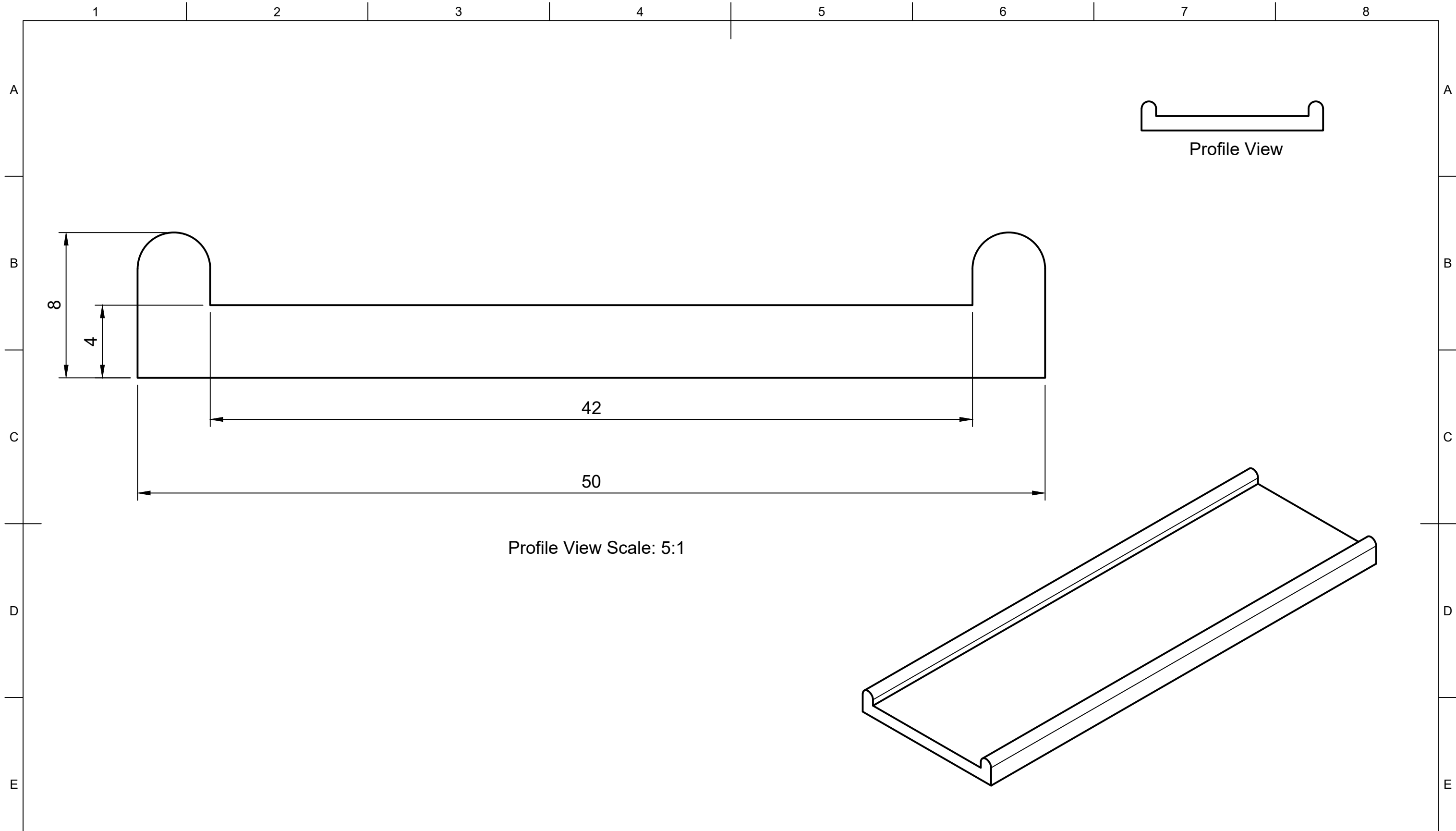
	<b>Part Number</b>				<b>Created By</b>		<b>Cross Sectional Area (mm<sup>2</sup>)</b>		<b>Nominal Dimension (mm)</b>		<b>Tolerance, ± (mm)</b>
	203258				David Stirling		1249		<b>Greater Than</b>	<b>Less Than or Equal to</b>	
	<b>Description</b>				<b>Date Drawn</b>		<b>Material</b>		0.00		0.40
					03/06/2020		EPDM		1.50		0.50
	Tank Strap (Open, Round)				<b>Approved By</b>		<b>Hardness (Shore A)</b>		2.50		0.70
					Date of Approval		70		4.00		0.80
	Revision				3rd Agl.		Weight (kg/m)		6.30		1.00
									10.00		1.30
	A		24/01/2022		Sheet Scale		Sheet Size		16.00		1.60
			1:1		A3		1/1		25.00		2.00
								40.00		2.50	
								63.00		3.20	
								100.00		3.20%	



	<b>Part Number</b>				<b>Created By</b>		<b>Cross Sectional Area (mm<sup>2</sup>)</b>		<b>Nominal Dimension (mm)</b>		<b>Tolerance, ± (mm)</b>						
	203301				David Stirling		356		<b>Greater Than</b>	<b>Less Than or Equal to</b>	0.40						
					Date Drawn		Material		0.00	1.50							
	Tank Strap (Open, Round)				20/04/2020		EPDM		1.50	2.50	0.50						
					<b>Approved By</b>		<b>Hardness (Shore A)</b>		2.50	4.00	0.70						
					Date of Approval		70		4.00	6.30	0.80						
					Black		6.30	10.00	1.00								
	<b>Revision</b> A				<b>Date of Issue</b> 18/01/2022		<b>Sheet Scale</b> 2:1		<b>Sheet Size</b> A3		<b>Sheet</b> 1/1		<b>Projection</b>		<b>Weight (g/m)</b>		
													3rd Agl. 		450		
													25.00		40.00		2.00
40.00													63.00		2.50		
63.00		100.00		3.20													
100.00				3.20%													



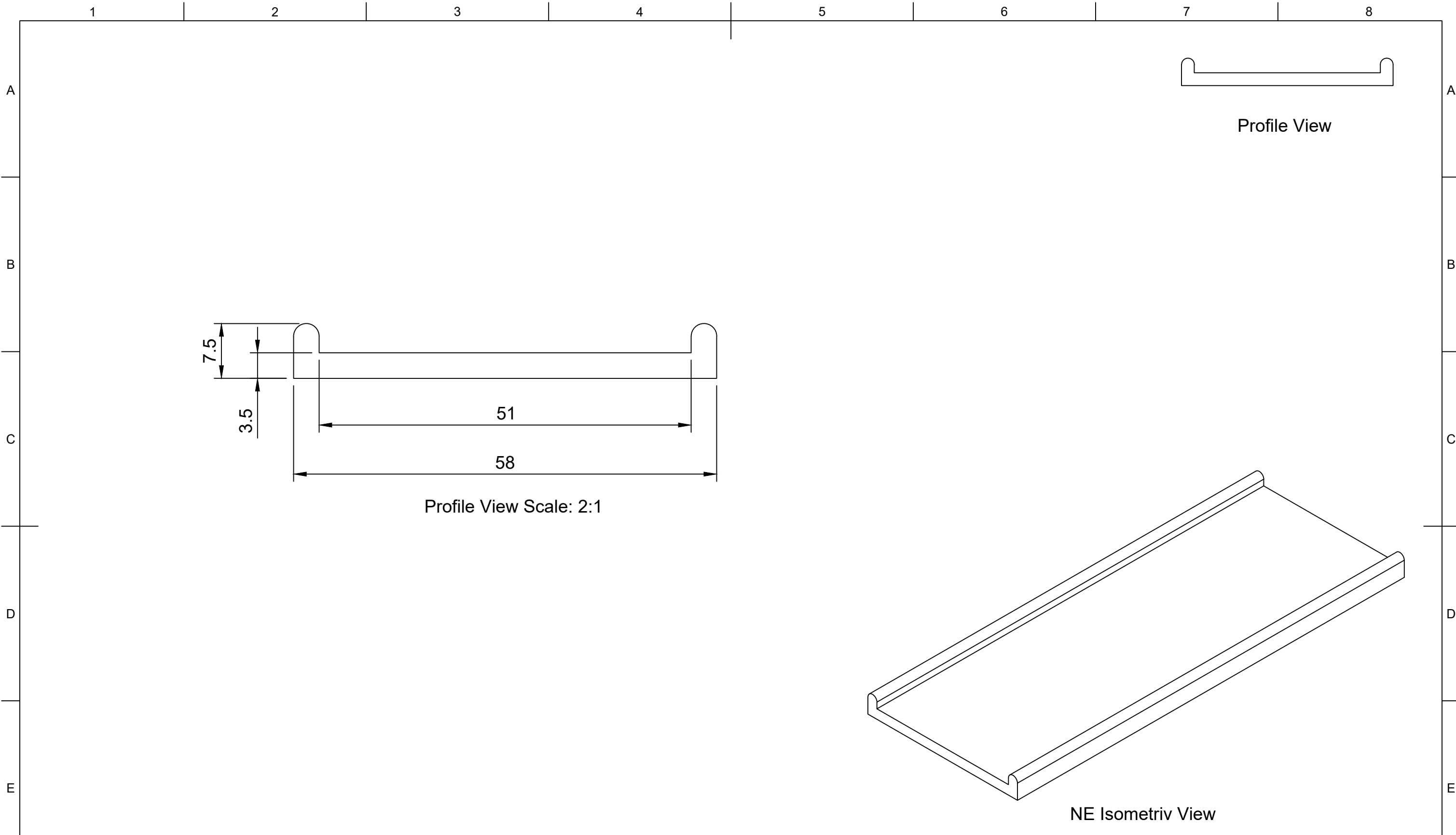
	<b>Part Number</b>				<b>Created By</b>		<b>Cross Sectional Area (mm<sup>2</sup>)</b>		<b>Nominal Dimension (mm)</b>		<b>Tolerance, ± (mm)</b>
	207010				Isaac Erskine		229		<b>Greater Than</b>	<b>Less Than or Equal to</b>	
					<b>Date Drawn</b>		<b>Material</b>		0.00	1.50	0.40
					13/08/2020		EPDM		1.50	2.50	0.50
	<b>Description</b>				<b>Approved By</b>		<b>Hardness (Shore A)</b>		2.50	4.00	0.70
	Tank Strap (Open, Round)				Isaac Erskine		70		4.00	6.30	0.80
					<b>Date of Approval</b>		<b>Colour</b>		6.30	10.00	1.00
					16/02/2022		Black		10.00	16.00	1.30
									16.00	25.00	1.60
									25.00	40.00	2.00
<b>Revision</b>	<b>Date of Issue</b>	<b>Sheet Scale</b>	<b>Sheet Size</b>	<b>Sheet</b>	<b>Projection</b>	<b>Weight (g/m)</b>		40.00	63.00	2.50	
A	16/02/2022	1:1	A3	1/1	3rd Agl. 	289		63.00	100.00	3.20	
								100.00		3.20%	



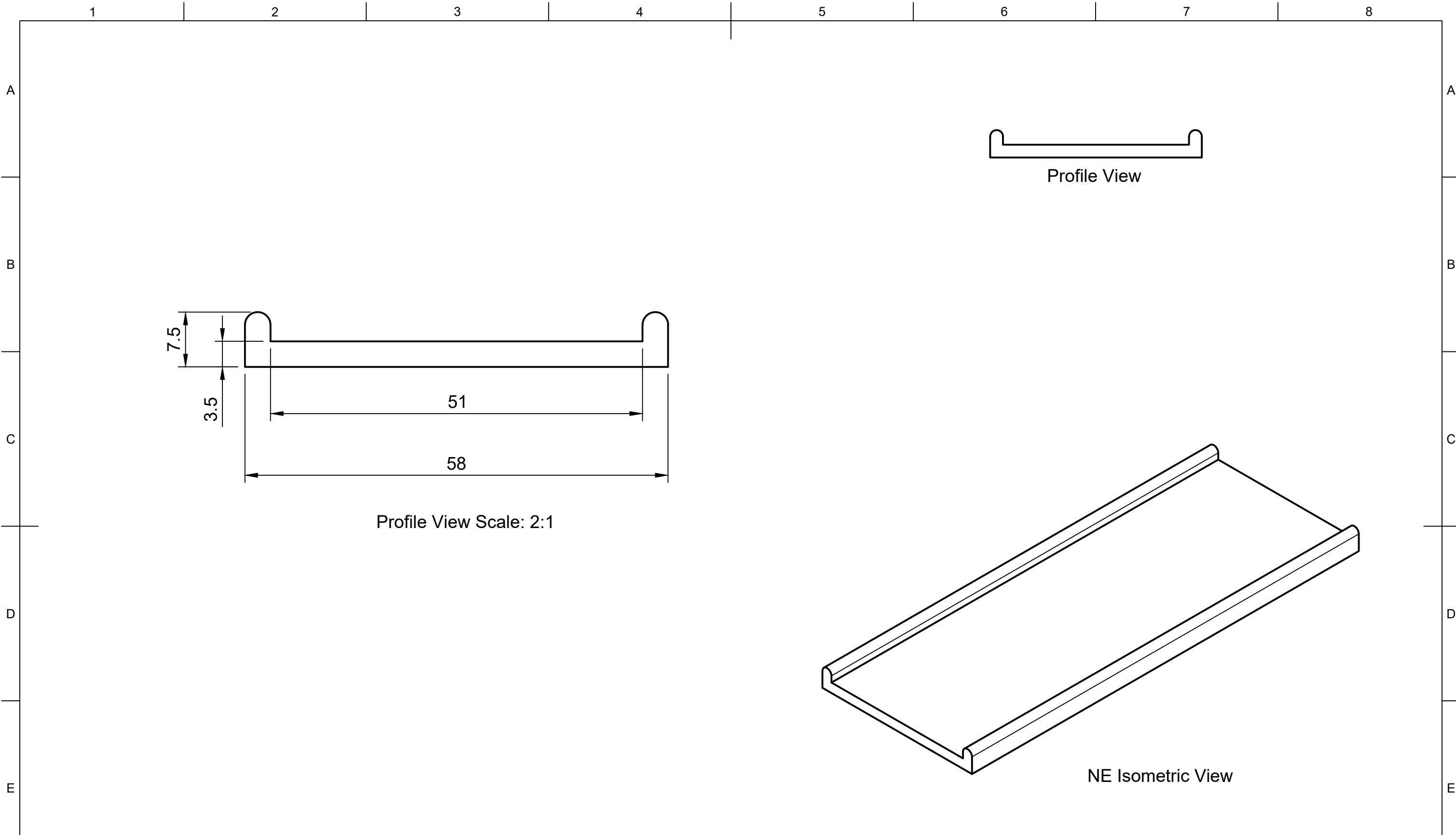
Profile View Scale: 5:1



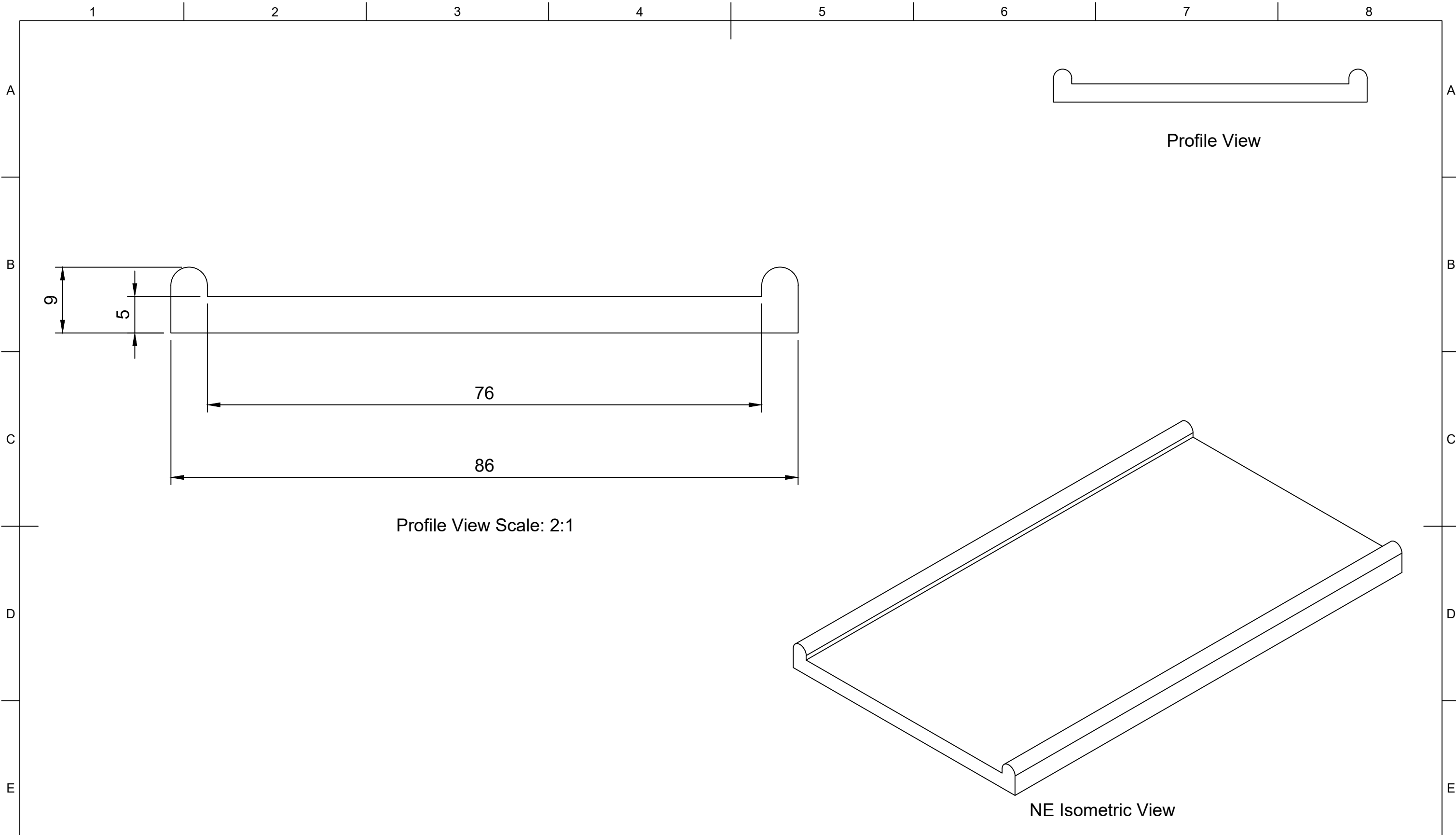
Part Number		203256			Created By	Isaac Erskine	Cross Sectional Area (mm <sup>2</sup> )	229		Nominal Dimension (mm)		Tolerance, ± (mm)
					Date Drawn	16/02/2022	Material	Neoprene	Greater Than	Less Than or Equal to		
Description		Tank Strap (Open, Round)			Approved By	Isaac Erskine	Hardness (Shore A)	70		0.00	1.50	0.40
					Date of Approval	16/02/2022	Colour	Black	1.50	2.50	0.50	
Revision	Date of Issue	Sheet Scale	Sheet Size	Sheet	Projection	3rd Agl.	Weight (g/m)	348		2.50	4.00	0.70
A	16/02/2022	1:1	A3	1/1			25.00	40.00	2.00			
										63.00	100.00	3.20
										100.00		3.20%


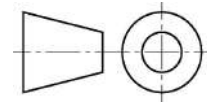


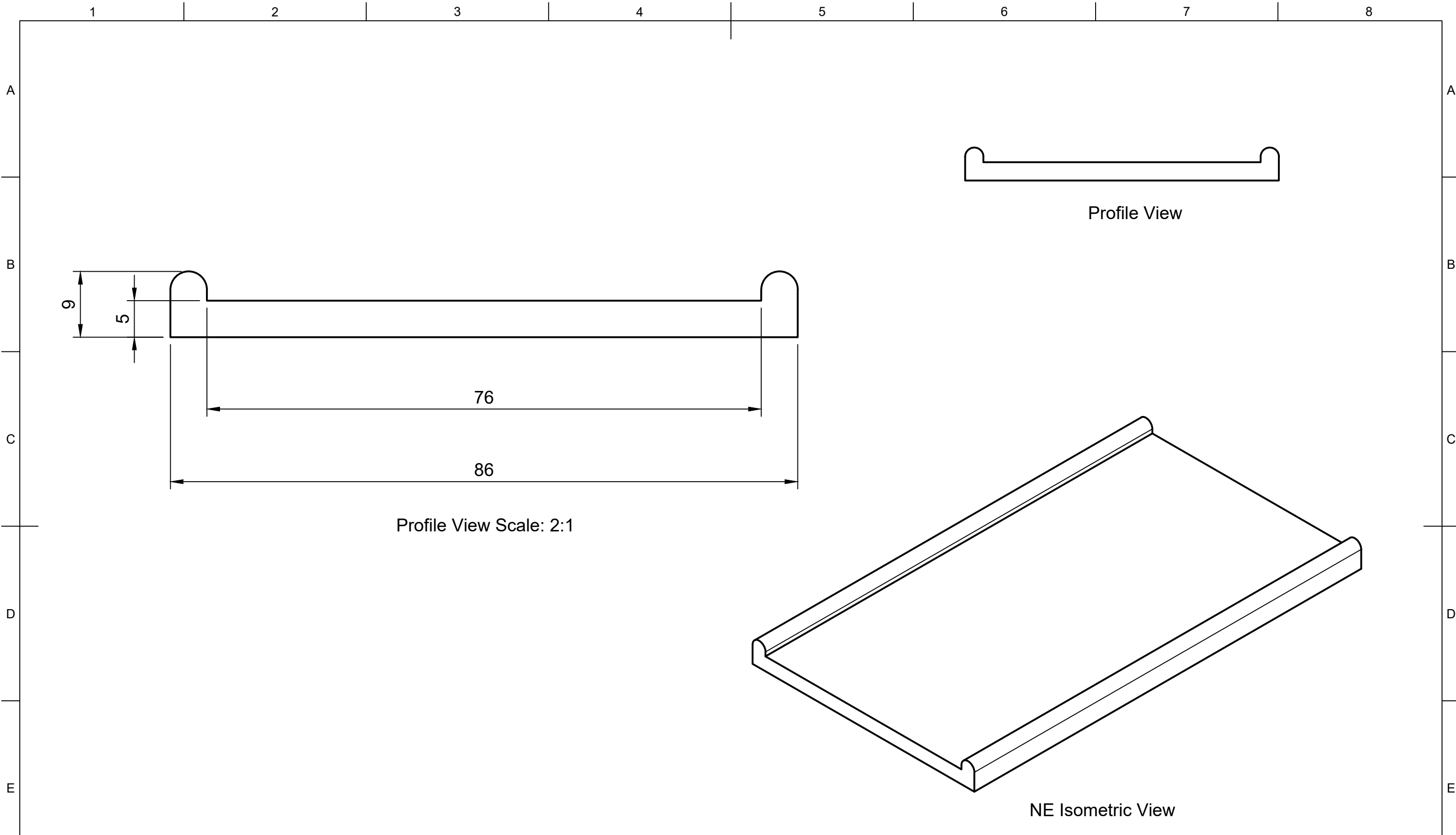
	<b>Part Number</b>				<b>Created By</b>		<b>Cross Sectional Area (mm<sup>2</sup>)</b>		<b>Nominal Dimension (mm)</b>		<b>Tolerance, ± (mm)</b>	
	200289				Isaac Erskine		228		<b>Greater Than</b>	<b>Less Than or Equal to</b>		
	<b>Description</b> Tank Strap (Open, Round)				<b>Date Drawn</b>		<b>Material</b>		0.00		1.50	0.40
					13/08/2020		EPDM		1.50		2.50	0.50
					<b>Approved By</b>		<b>Hardness (Shore A)</b>		2.50		4.00	0.70
					Isaac Erskine		70		4.00		6.30	0.80
					<b>Date of Approval</b>		<b>Colour</b>		6.30		10.00	1.00
					16/02/2022		Black		10.00		16.00	1.30
					<b>Projection</b>		<b>Weight (g/m)</b>		16.00		25.00	1.60
					3rd Agl.		287		25.00		40.00	2.00
<b>Revision</b>	<b>Date of Issue</b>	<b>Sheet Scale</b>	<b>Sheet Size</b>	<b>Sheet</b>			40.00		63.00	2.50		
A	16/02/2022	1:1	A3	1/1			63.00		100.00	3.20		
								100.00		3.20%		



	<b>Part Number</b>				<b>Created By</b>		<b>Cross Sectional Area (mm<sup>2</sup>)</b>		<b>Nominal Dimension (mm)</b>		<b>Tolerance, ± (mm)</b>												
	204383				Isaac Erskine		228		<b>Greater Than</b>	<b>Less Than or Equal to</b>													
	<b>Description</b>				<b>Date Drawn</b>		<b>Material</b>		0.00		1.50	0.40											
					16/02/2022		Neoprene		1.50		2.50	0.50											
	Tank Strap (Open, Round)				<b>Approved By</b>		<b>Hardness (Shore A)</b>		2.50		4.00	0.70											
					Isaac Erskine		70		4.00		6.30	0.80											
					<b>Date of Approval</b>		<b>Colour</b>		6.30		10.00	1.00											
	16/02/2022		Black		10.00		16.00	1.30															
	Revision		Date of Issue		Sheet Scale		Sheet Size		Sheet		<b>Projection</b>		16.00		25.00	1.60							
											3rd Agl.		25.00		40.00	2.00							
A											16/02/2022		1:1		A3		1/1		40.00		63.00	2.50	
3rd Agl.											63.00		100.00		3.20								
A		16/02/2022		1:1		A3		1/1		100.00		3.20%											

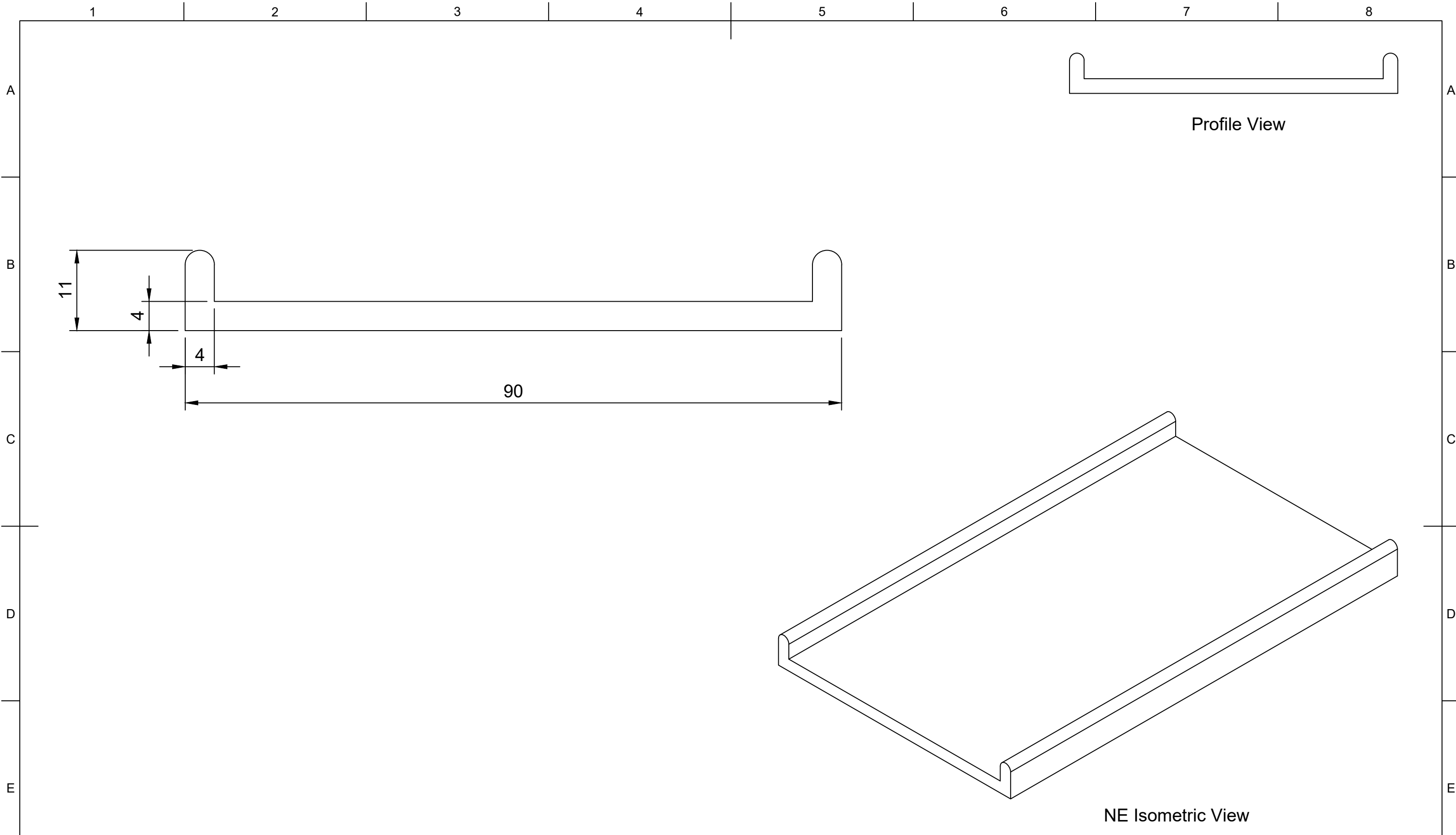


	<b>Part Number</b>				<b>Created By</b>		<b>Cross Sectional Area (mm<sup>2</sup>)</b>		<b>Nominal Dimension (mm)</b>		<b>Tolerance, ± (mm)</b>	
	202771				Isaac Erskine		465		<b>Greater Than</b>	<b>Less Than or Equal to</b>		
	<b>Description</b>				<b>Date Drawn</b>		<b>Material</b>		0.00	1.50	0.40	
	Tank Strap (Open, Round)				13/08/2020		EPDM		1.50	2.50	0.50	
	<b>Revision</b>				<b>Approved By</b>		<b>Hardness (Shore A)</b>		2.50	4.00	0.70	
	A	16/02/2022		1:1	A3	1/1	Isaac Erskine		4.00	6.30	0.80	
	<b>Date of Issue</b>		<b>Sheet Scale</b>		<b>Sheet Size</b>		<b>Sheet</b>		<b>Date of Approval</b>		<b>Colour</b>	
	16/02/2022		1:1		A3		1/1		16/02/2022		Black	
	<b>Projection</b>				<b>3rd Agl.</b>		<b>Weight (g/m)</b>		6.30	10.00	1.00	
					3rd Agl.		586		10.00	16.00	1.30	
								16.00	25.00	1.60		
								25.00	40.00	2.00		
								40.00	63.00	2.50		
								63.00	100.00	3.20		
								100.00		3.20%		

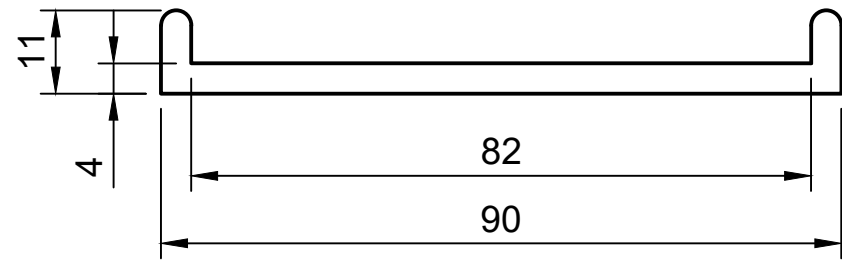
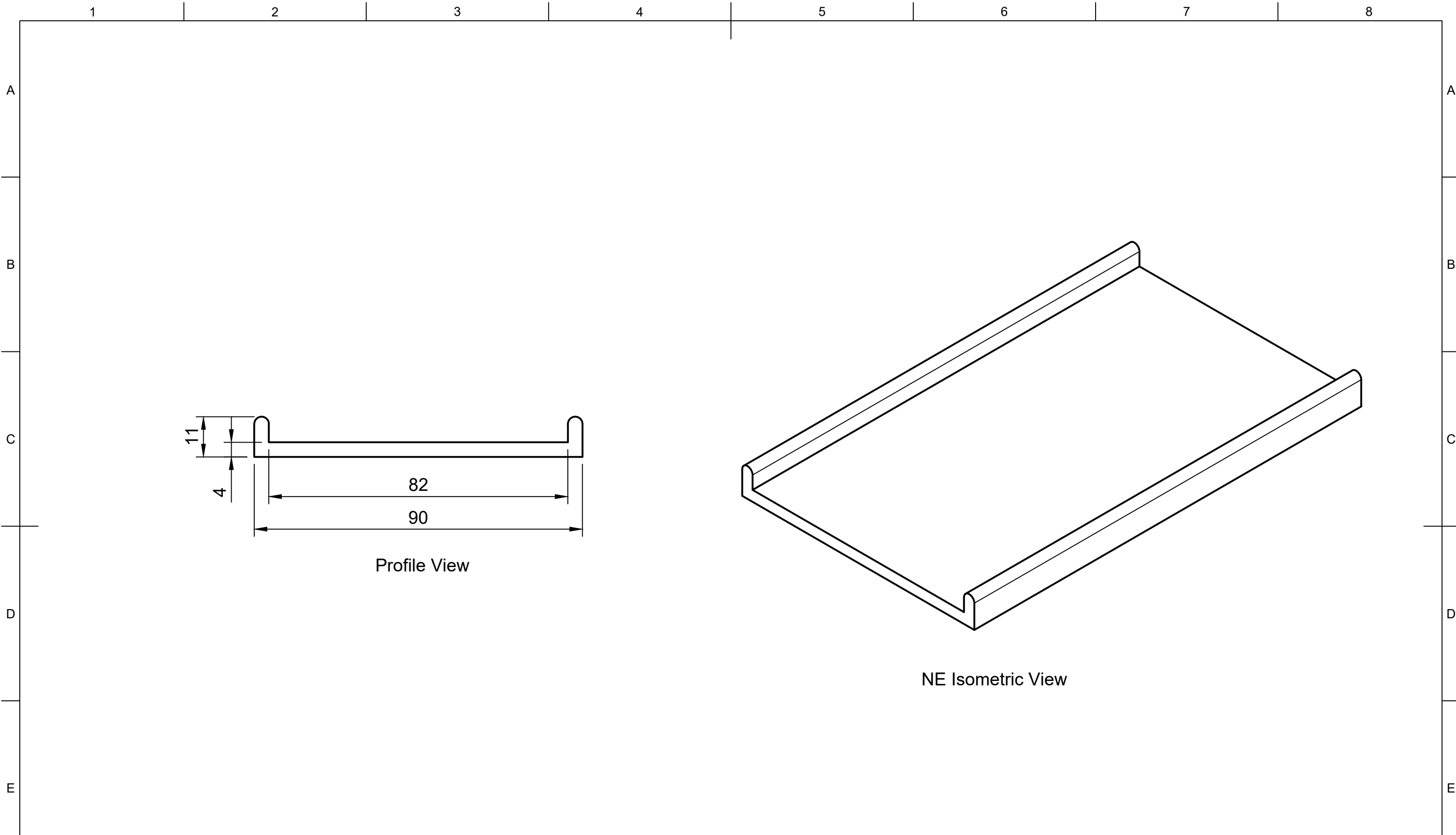


	<b>Part Number</b>				<b>Created By</b>		<b>Cross Sectional Area (mm<sup>2</sup>)</b>		<b>Nominal Dimension (mm)</b>		<b>Tolerance, ± (mm)</b>	
	207044				Isaac Erskine		465		<b>Greater Than</b>	<b>Less Than or Equal to</b>		
	<b>Description</b>				<b>Date Drawn</b>		<b>Material</b>		0.00		1.50	0.40
					16/02/2022		Neoprene		1.50		2.50	0.50
	Tank Strap (Open, Round)				<b>Approved By</b>		<b>Hardness (Shore A)</b>		2.50		4.00	0.70
					Isaac Erskine		70		4.00		6.30	0.80
					<b>Date of Approval</b>		<b>Colour</b>		6.30		10.00	1.00
					16/02/2022		Black		10.00		16.00	1.30
					<b>Projection</b>		<b>Weight (g/m)</b>		16.00		25.00	1.60
					3rd Agl.		707		25.00		40.00	2.00
								40.00		63.00	2.50	
								63.00		100.00	3.20	
								100.00		---	3.20%	

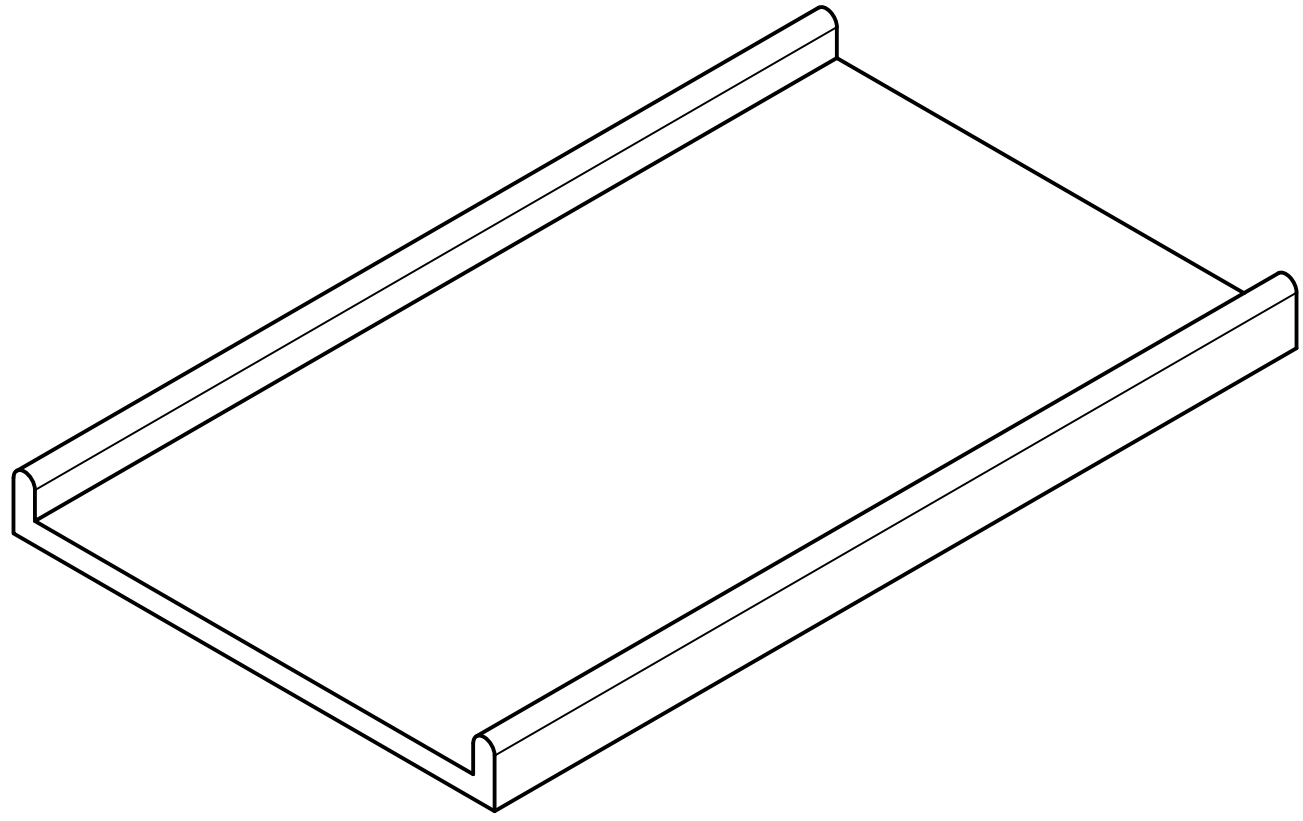




Part Number <b>202789</b>					Created By Adam Harvey		Cross Sectional Area (mm <sup>2</sup> ) 413		Nominal Dimension (mm)		Tolerance, ± (mm)
					Date Drawn 13/08/2020		Material EPDM		Greater Than	Less Than or Equal to	
Description <b>Clamp Rubber - Open</b>					Approved By Ivan Browne		Hardness (Shore A) 70		0.00	1.50	0.40
					Date of Approval 15/02/2022		Colour Black		1.50	2.50	0.50
Revision A	Date of Issue 15/02/2022	Sheet Scale 1:1	Sheet Size A3	Sheet 1/1	Projection 3rd Agl.	Weight (g/m) 0.521		2.50	4.00	0.70	
								4.00	6.30	1.00	
								6.30	10.00	1.30	
								10.00	16.00	1.60	
								16.00	25.00	2.00	
								25.00	40.00	2.50	
								40.00	63.00	3.20	
								63.00	100.00	3.20%	
								100.00			



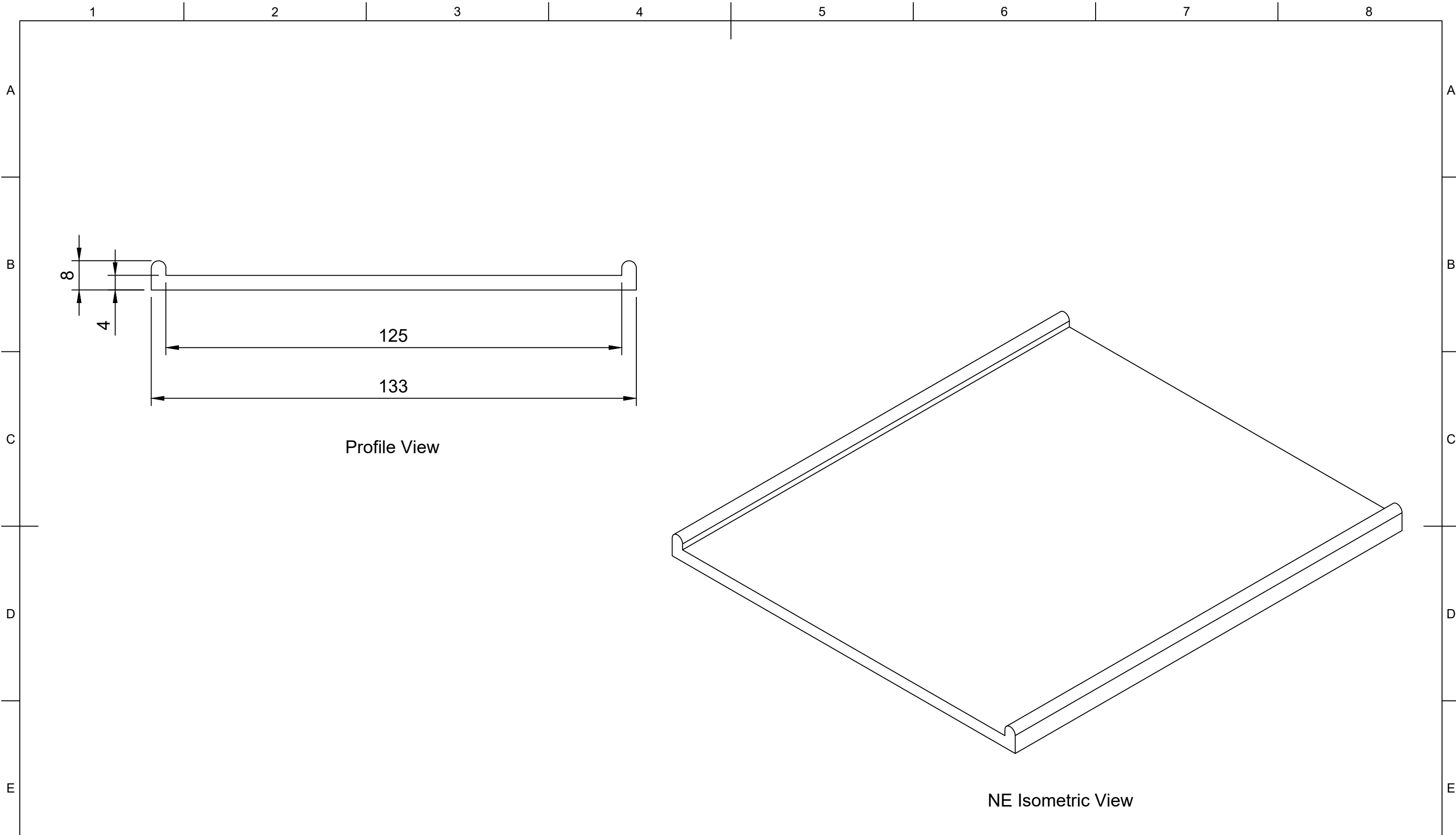
Profile View



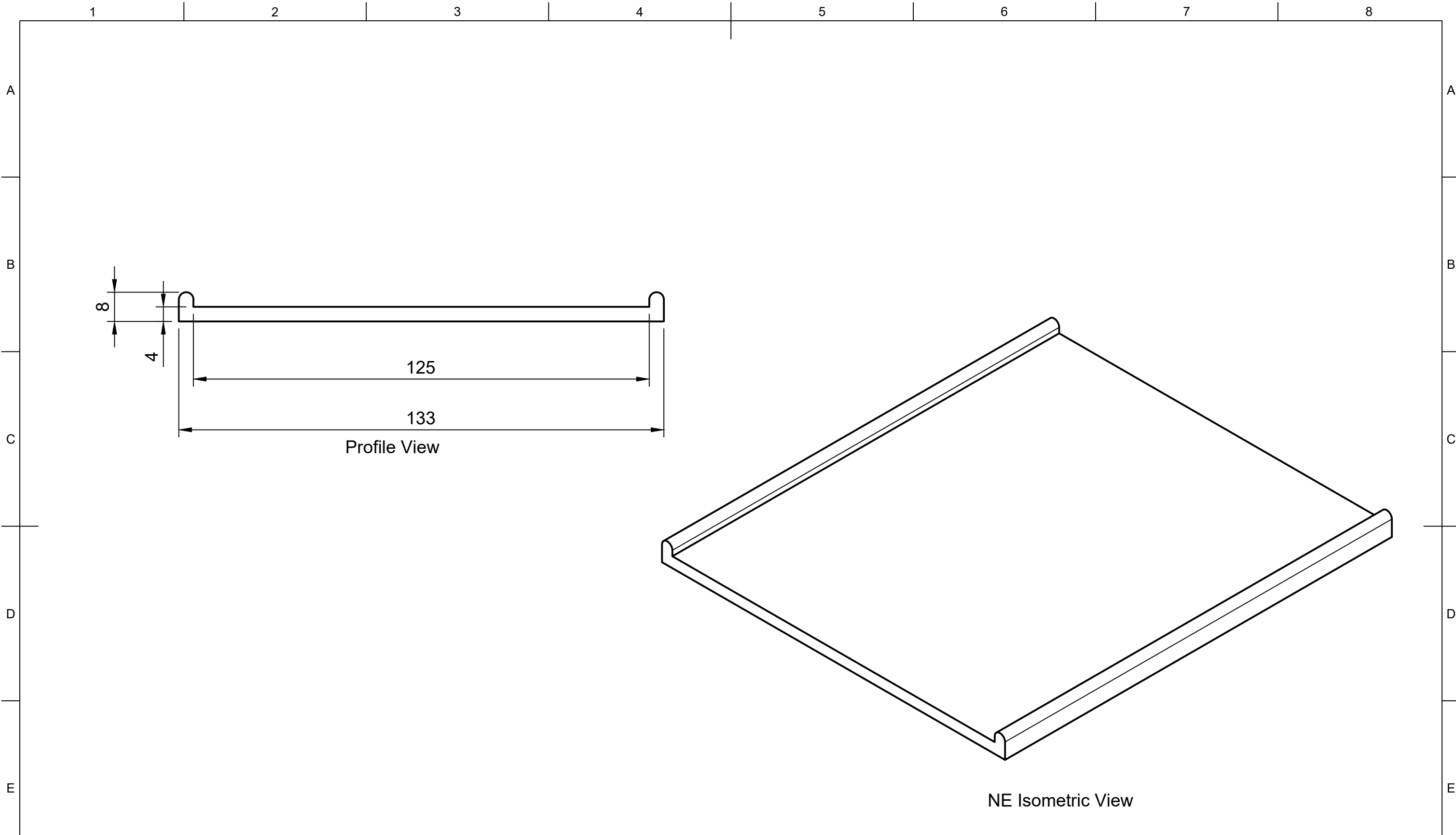
NE Isometric View



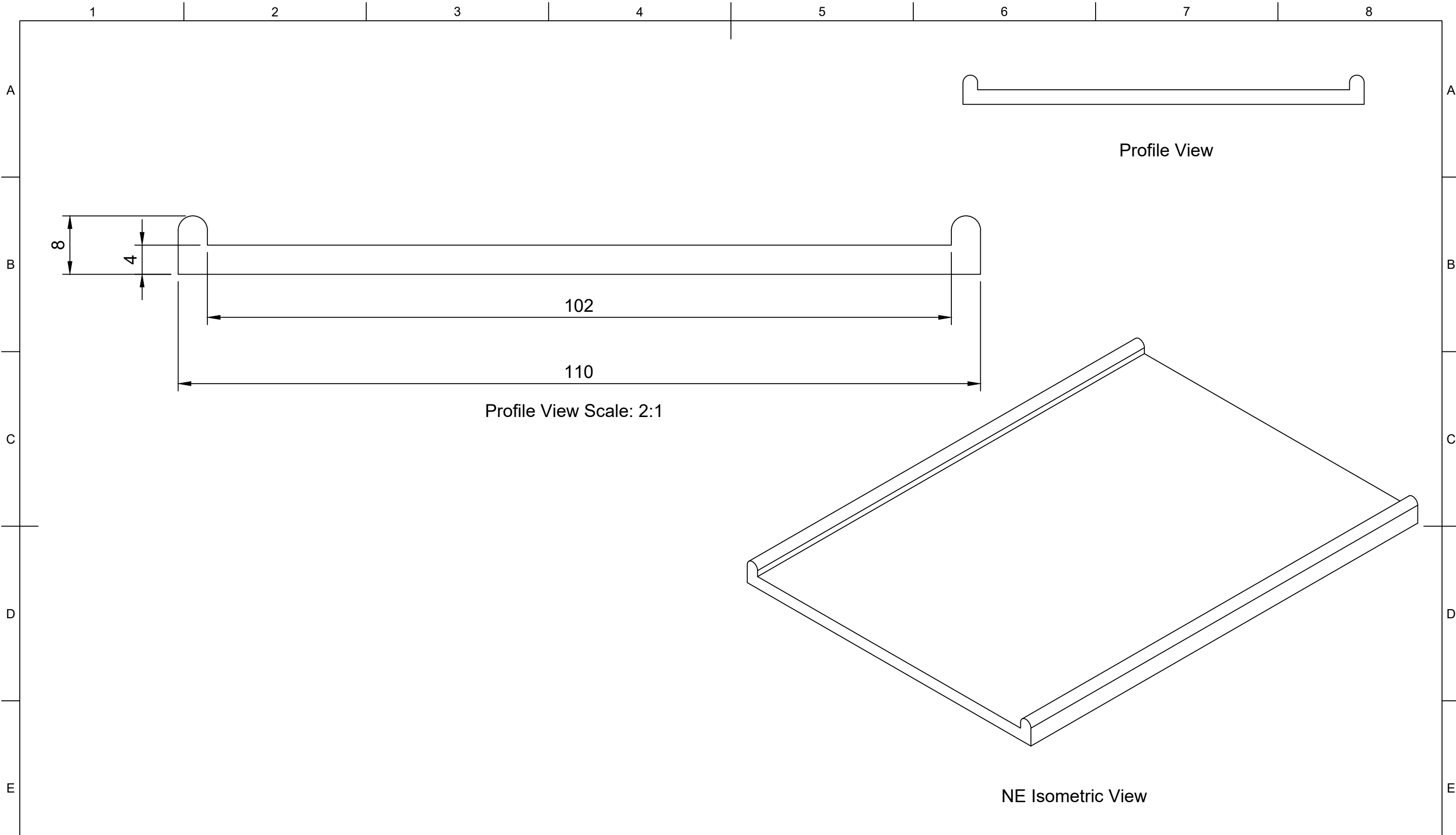
	<b>Part Number</b>				<b>Created By</b>		<b>Cross Sectional Area (mm<sup>2</sup>)</b>		<b>Nominal Dimension (mm)</b>		<b>Tolerance, ± (mm)</b>
	201367				Adam Harvey		413		<b>Greater Than</b>	<b>Less Than or Equal to</b>	
	<b>Description</b>				<b>Date Drawn</b>		<b>Material</b>		0.00	1.50	0.40
					15/02/2022		Neoprene		1.50	2.50	0.50
	Tank Strap (Open) - Round				<b>Approved By</b>		<b>Hardness (Shore A)</b>		2.50	4.00	0.70
					Ivan Browne		70		4.00	6.30	0.80
					<b>Date of Approval</b>		<b>Colour</b>		6.30	10.00	1.00
	15/02/2022		Black		10.00	16.00	1.30				
	<b>Revision</b>	<b>Date of Issue</b>	<b>Sheet Scale</b>	<b>Sheet Size</b>	<b>Sheet</b>	<b>Projection</b>	<b>Weight (g/m)</b>		16.00	25.00	1.60
	A	15/02/2022	1:1	A3	1/1	3rd Agl.	628		25.00	40.00	2.00
								40.00	63.00	2.50	
								63.00	100.00	3.20	
								100.00		3.20%	


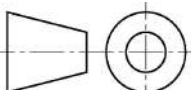


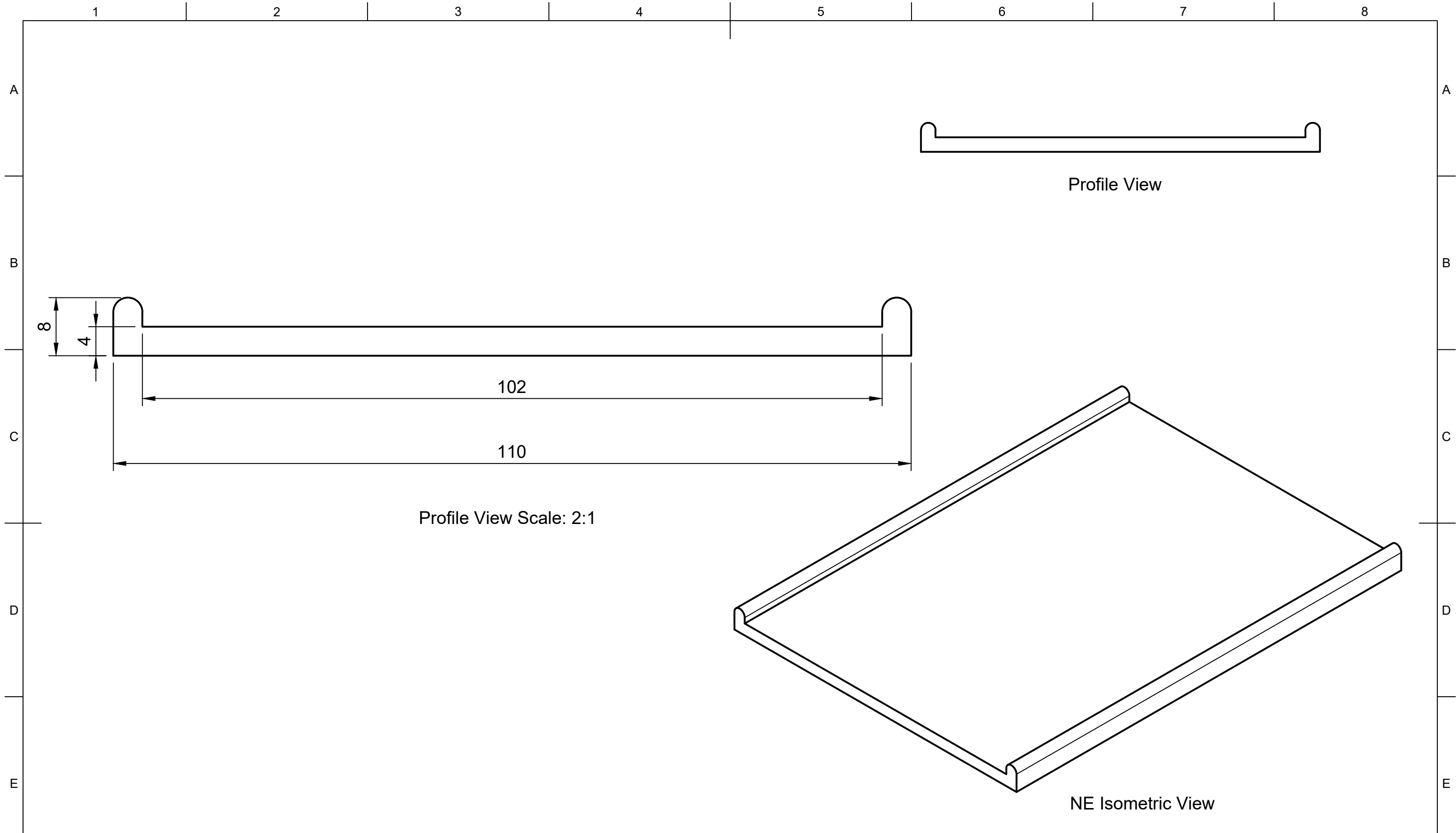
	<b>Part Number</b>				<b>Created By</b>		<b>Cross Sectional Area (mm<sup>2</sup>)</b>		<b>Nominal Dimension (mm)</b>		<b>Tolerance, ± (mm)</b>
	207083				Isaac Erskine		561		<b>Greater Than</b>	<b>Less Than or Equal to</b>	
	<b>Description</b>				<b>Date Drawn</b>		<b>Material</b>		0.00	1.50	0.40
	Tank Strap (Open, Round)				13/08/2020		EPDM		1.50	2.50	0.50
	<b>Revision</b>				<b>Approved By</b>		<b>Hardness (Shore A)</b>		2.50	4.00	0.70
	A	16/02/2022		1:1	Isaac Erskine		70		4.00	6.30	0.80
	<b>Date of Issue</b>		<b>Sheet Scale</b>		<b>Sheet Size</b>		<b>Weight (g/m)</b>		6.30	10.00	1.00
	16/02/2022		1:1		A3		707		10.00	16.00	1.30
	<b>Sheet</b>		<b>Projection</b>		<b>Date of Approval</b>		3rd Agl.		16.00	25.00	1.60
	1/1				16/02/2022				25.00	40.00	2.00
								40.00	63.00	2.50	
								63.00	100.00	3.20	
								100.00		3.20%	


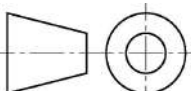


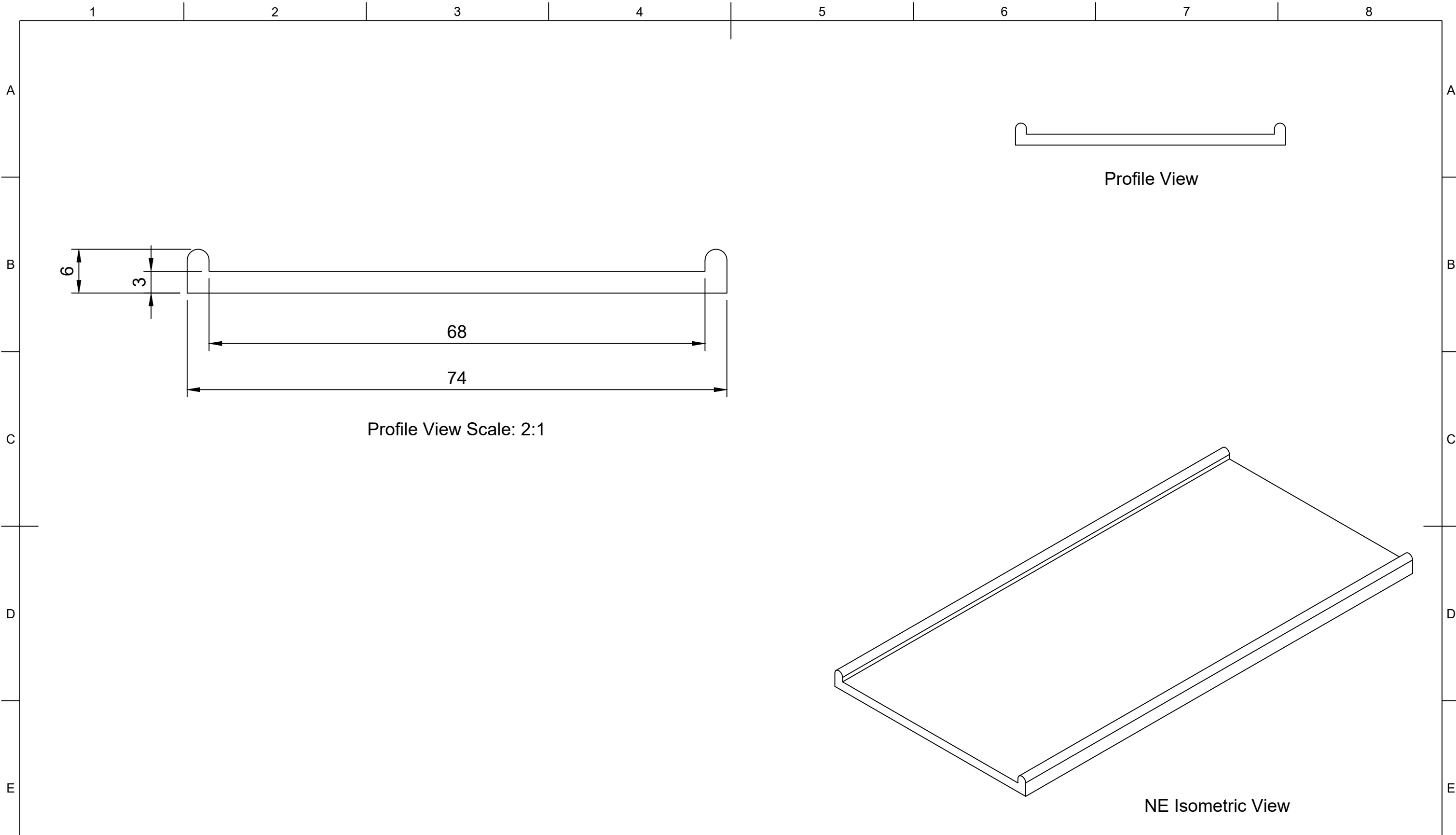
	<b>Part Number</b>				<b>Created By</b>		<b>Cross Sectional Area (mm<sup>2</sup>)</b>		<b>Nominal Dimension (mm)</b>		<b>Tolerance, ± (mm)</b>	
	208576				Isaac Erskine		561		<b>Greater Than</b>	<b>Less Than or Equal to</b>		
	<b>Description</b>				<b>Date Drawn</b>		<b>Material</b>		0.00		1.50	0.40
					16/02/2022		Neoprene		1.50		2.50	0.50
	Tank Strap (Open, Round)				<b>Approved By</b>		<b>Hardness (Shore A)</b>		2.50		4.00	0.70
					Isaac Erskine		70		4.00		6.30	0.80
					<b>Date of Approval</b>		<b>Colour</b>		6.30		10.00	1.00
					16/02/2022		Black		10.00		16.00	1.30
					<b>Projection</b>		<b>Weight (g/m)</b>		16.00		25.00	1.60
					3rd Agl.		853		25.00		40.00	2.00
								40.00		63.00	2.50	
								63.00		100.00	3.20	
								100.00		---	3.20%	
								---		---	---	


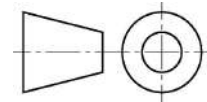


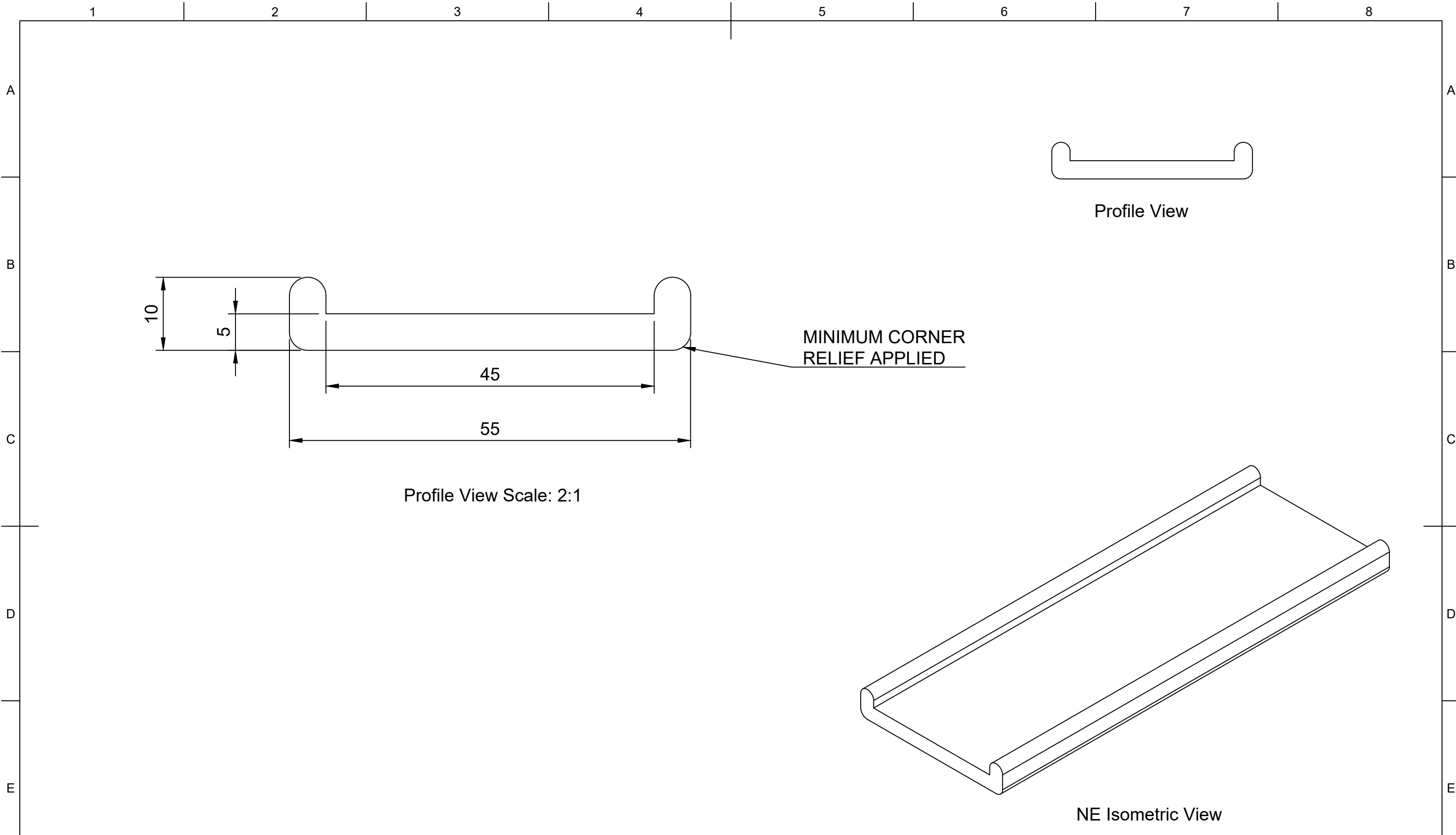
	<b>Part Number</b>				<b>Created By</b>		<b>Cross Sectional Area (mm<sup>2</sup>)</b>		<b>Nominal Dimension (mm)</b>		<b>Tolerance, ± (mm)</b>
	206696				Isaac Erskine		469		<b>Greater Than</b>	<b>Less Than or Equal to</b>	
	<b>Description</b>				<b>Date Drawn</b>		<b>Material</b>		0.00	1.50	0.40
	Tank Strap (Open, Round)				13/08/2020		EPDM		1.50	2.50	0.50
	<b>Revision</b>				<b>Approved By</b>		<b>Hardness (Shore A)</b>		2.50	4.00	0.70
	A	16/02/2022		1:1	A3	1/1	Isaac Erskine		4.00	6.30	0.80
	<b>Date of Issue</b>				<b>Date of Approval</b>		<b>Colour</b>		6.30	10.00	1.00
	<b>Sheet Scale</b>				<b>Projection</b>		Black		10.00	16.00	1.30
	<b>Sheet Size</b>				3rd Agl. 		Weight (g/m)		16.00	25.00	1.60
	<b>Sheet</b>						591		25.00	40.00	2.00
								40.00	63.00	2.50	
								63.00	100.00	3.20	
								100.00		3.20%	



	<b>Part Number</b>				<b>Created By</b>		<b>Cross Sectional Area (mm<sup>2</sup>)</b>		<b>Nominal Dimension (mm)</b>		<b>Tolerance, ± (mm)</b>
	201029				Isaac Erskine		469		<b>Greater Than</b>	<b>Less Than or Equal to</b>	
	<b>Description</b>				<b>Date Drawn</b>		<b>Material</b>		0.00	1.50	0.40
	Tank Strap (Open, Round)				16/02/2022		Neoprene		1.50	2.50	0.50
	<b>Revision</b>				<b>Approved By</b>		<b>Hardness (Shore A)</b>		2.50	4.00	0.70
	A	<b>Date of Issue</b>		<b>Sheet Scale</b>	<b>Sheet Size</b>	<b>Sheet</b>	Isaac Erskine		4.00	6.30	0.80
		16/02/2022		2:1	A3	1/1	16/02/2022		6.30	10.00	1.00
	<b>Projection</b>				<b>Date of Approval</b>		<b>Colour</b>		10.00	16.00	1.30
	3rd Agl. 				16/02/2022		Black		16.00	25.00	1.60
					<b>Weight (g/m)</b>		713		25.00	40.00	2.00
								40.00	63.00	2.50	
								63.00	100.00	3.20	
								100.00		3.20%	



	<b>Part Number</b>				<b>Created By</b>		<b>Cross Sectional Area (mm<sup>2</sup>)</b>		<b>Nominal Dimension (mm)</b>		<b>Tolerance, ± (mm)</b>
	206426				Isaac Erskine		238		<b>Greater Than</b>	<b>Less Than or Equal to</b>	
					Date Drawn		Material		0.00	1.50	0.40
					13/08/2020		Neoprene		1.50	2.50	0.50
	<b>Description</b>				<b>Approved By</b>		<b>Hardness (Shore A)</b>		2.50	4.00	0.70
	Tank Strap (Open, Round)				Isaac Erskine		70		4.00	6.30	0.80
					Date of Approval		Colour		6.30	10.00	1.00
					16/02/2022		Black		10.00	16.00	1.30
							Weight (g/m)		16.00	25.00	1.60
							362		25.00	40.00	2.00
<b>Revision</b>	<b>Date of Issue</b>	<b>Sheet Scale</b>	<b>Sheet Size</b>	<b>Sheet</b>	<b>Projection</b>			40.00	63.00	2.50	
A	16/02/2022	1:1	A3	1/1	3rd Agl.			63.00	100.00	3.20	
								100.00		3.20%	



	<b>Part Number</b>				<b>Created By</b>		<b>Cross Sectional Area (mm<sup>2</sup>)</b>		<b>Nominal Dimension (mm)</b>		<b>Tolerance, ± (mm)</b>
	206640				Isaac Erskine		317		<b>Greater Than</b>	<b>Less Than or Equal to</b>	
	<b>Description</b>				<b>Date Drawn</b>		<b>Material</b>		0.00	1.50	0.40
	Tank Strap (Open, Round)				13/08/2020		EPDM		1.50	2.50	0.50
	<b>Revision</b>				<b>Approved By</b>		<b>Hardness (Shore A)</b>		2.50	4.00	0.70
	A	<b>Date of Issue</b>		<b>Sheet Scale</b>	<b>Sheet Size</b>	<b>Sheet</b>	Isaac Erskine		4.00	6.30	0.80
		16/02/2022		1:1	A3	1/1	16/02/2022		6.30	10.00	1.00
	<b>Projection</b>				<b>Date of Approval</b>		<b>Colour</b>		10.00	16.00	1.30
	3rd Agl.				16/02/2022		Black		16.00	25.00	1.60
	<b>Weight (g/m)</b>						399		25.00	40.00	2.00
								40.00	63.00	2.50	
								63.00	100.00	3.20	
								100.00		3.20%	