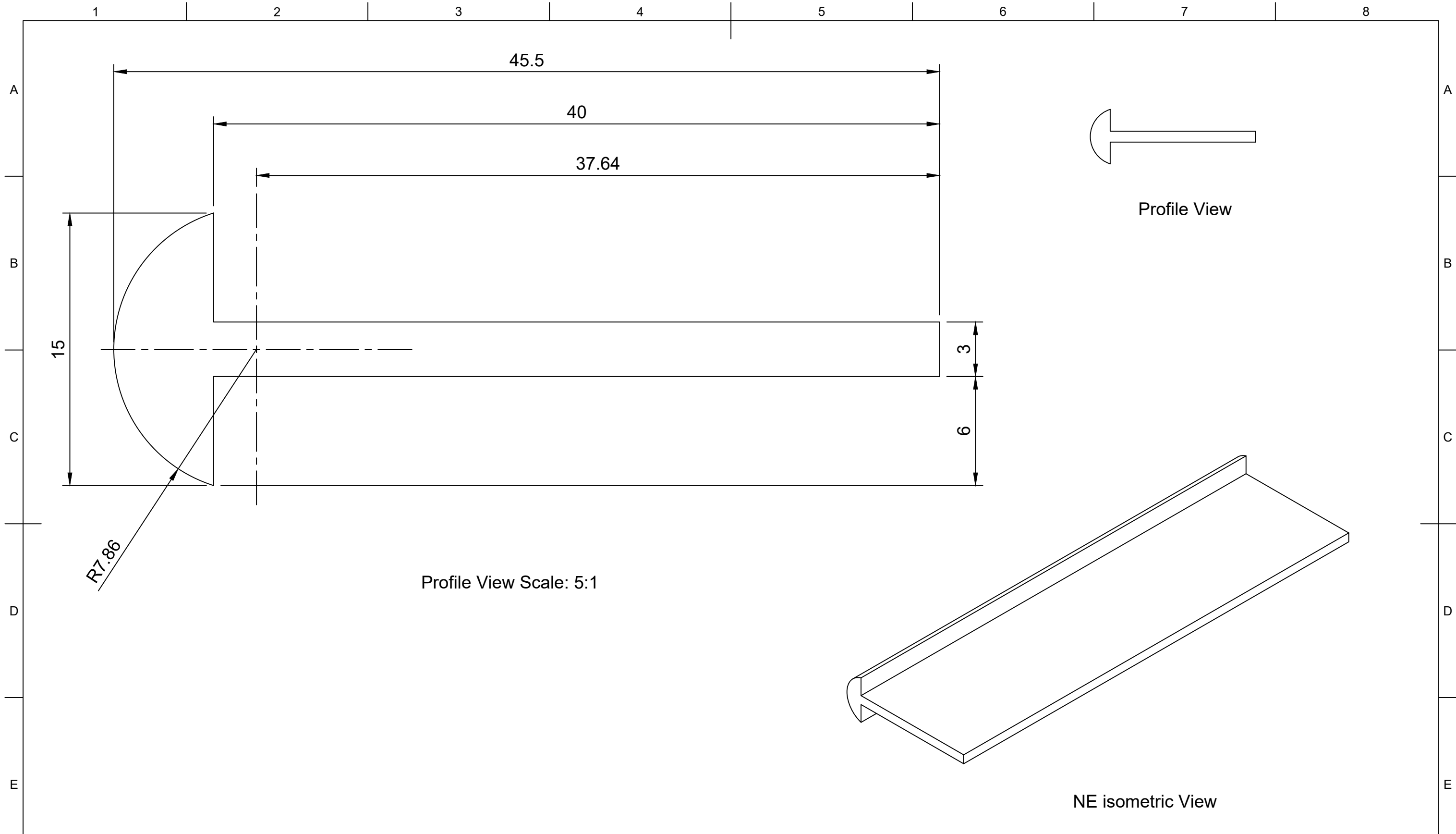

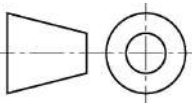
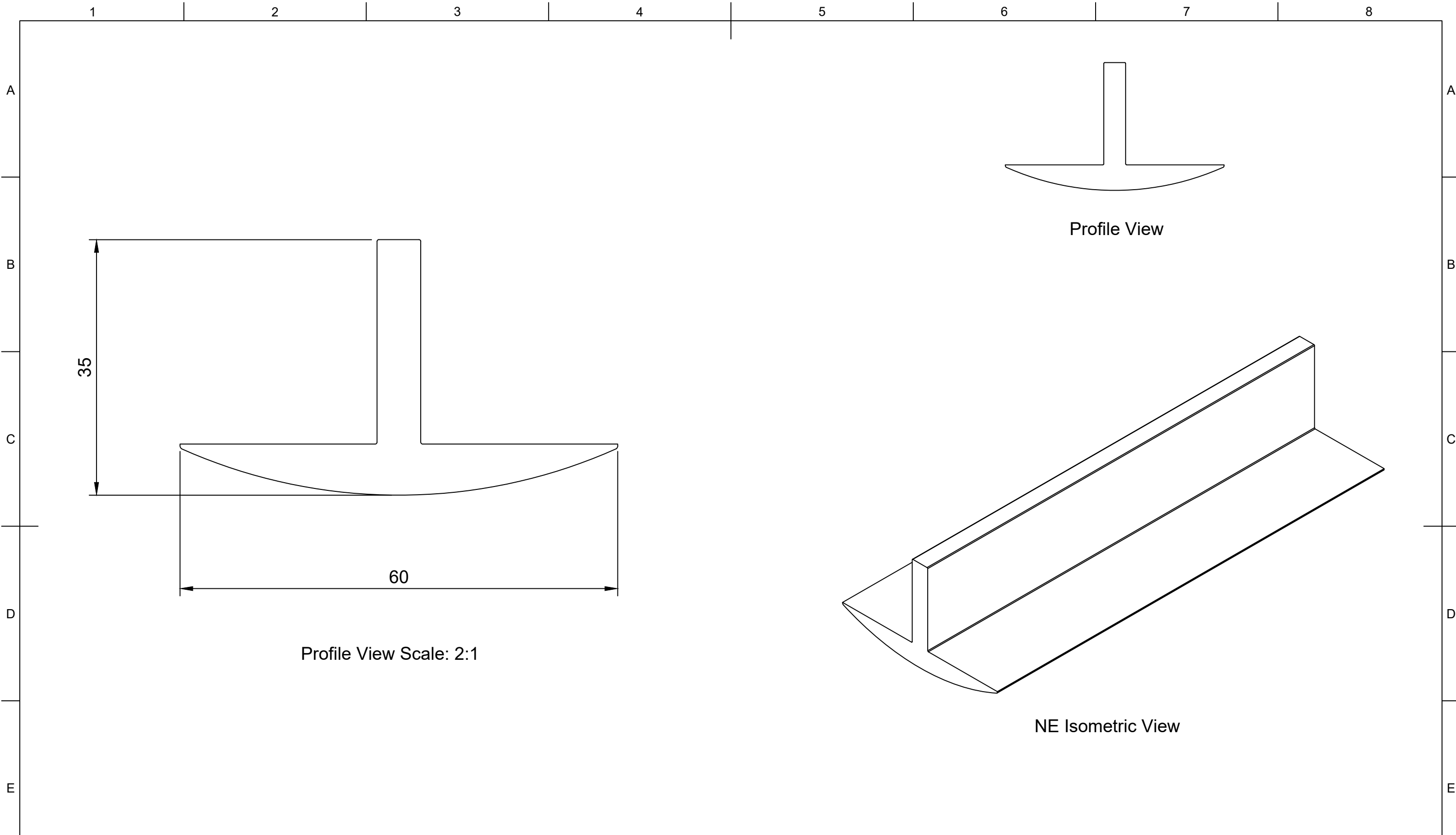




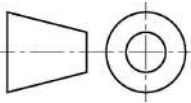
## T Sections

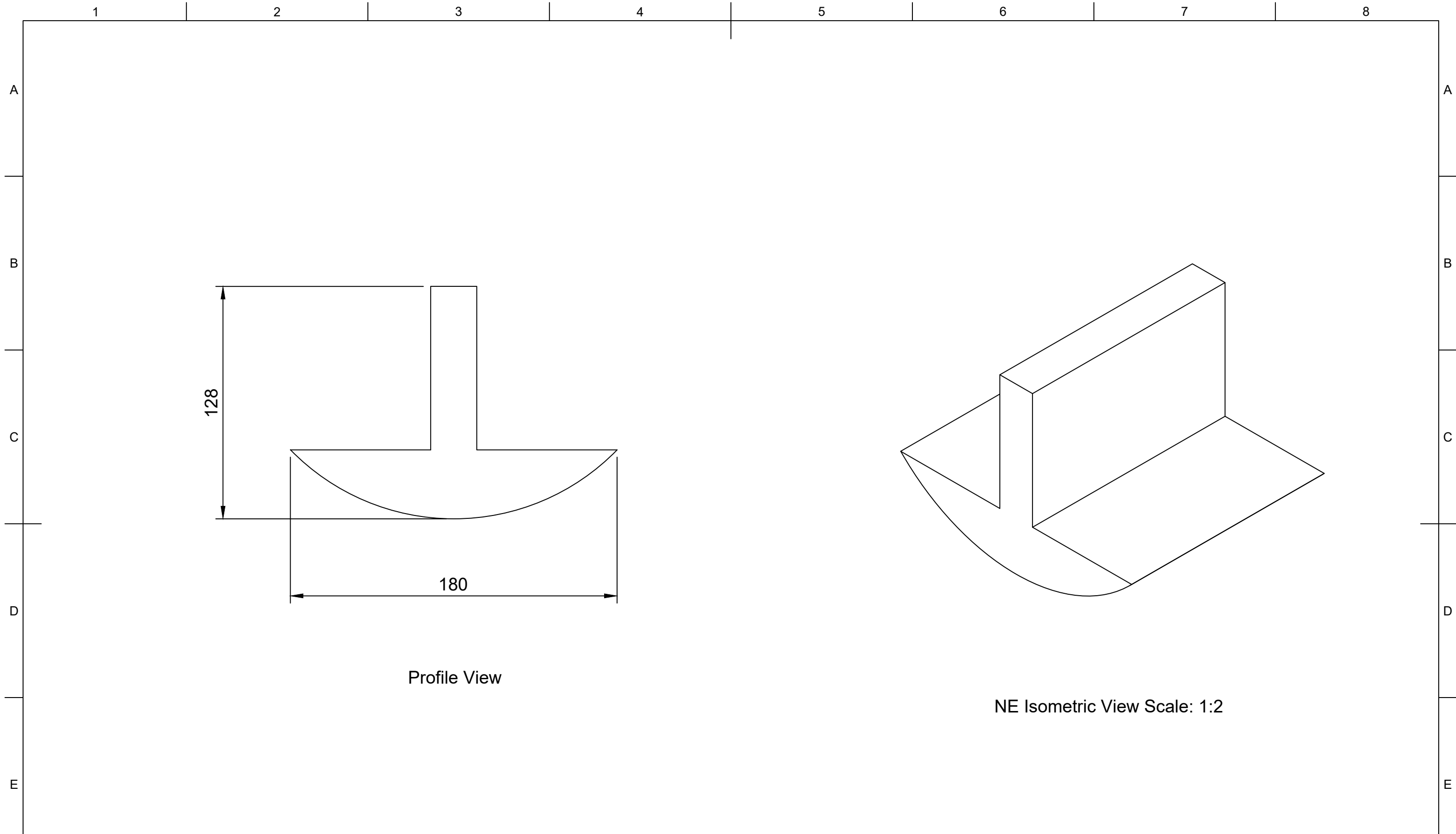


	<b>Part Number</b>				<b>Created By</b>		<b>Cross Sectional Area (mm<sup>2</sup>)</b>		<b>Nominal Dimension (mm)</b>		<b>Tolerance, ± (mm)</b>
	201516				David Stirling		181		<b>Greater Than</b>	<b>Less Than or Equal to</b>	
					Date Drawn		Material		0.00	1.50	0.40
					26/05/2020		EPDM		1.50	2.50	0.50
	<b>Description</b>				<b>Approved By</b>		<b>Hardness (Shore A)</b>		2.50	4.00	0.70
	T Section (Domed)						70		4.00	6.30	0.80
					<b>Date of Approval</b>		<b>Colour</b>		6.30	10.00	1.00
							Black		10.00	16.00	1.30
							<b>Weight (g/m)</b>		16.00	25.00	1.60
							228		25.00	40.00	2.00
<b>Revision</b>	<b>Date of Issue</b>	<b>Sheet Scale</b>	<b>Sheet Size</b>	<b>Sheet</b>	<b>Projection</b>			40.00	63.00	2.50	
A	24/01/2022	1:1	A3	1/1	3rd Agl. 			63.00	100.00	3.20	
								100.00		3.20%	

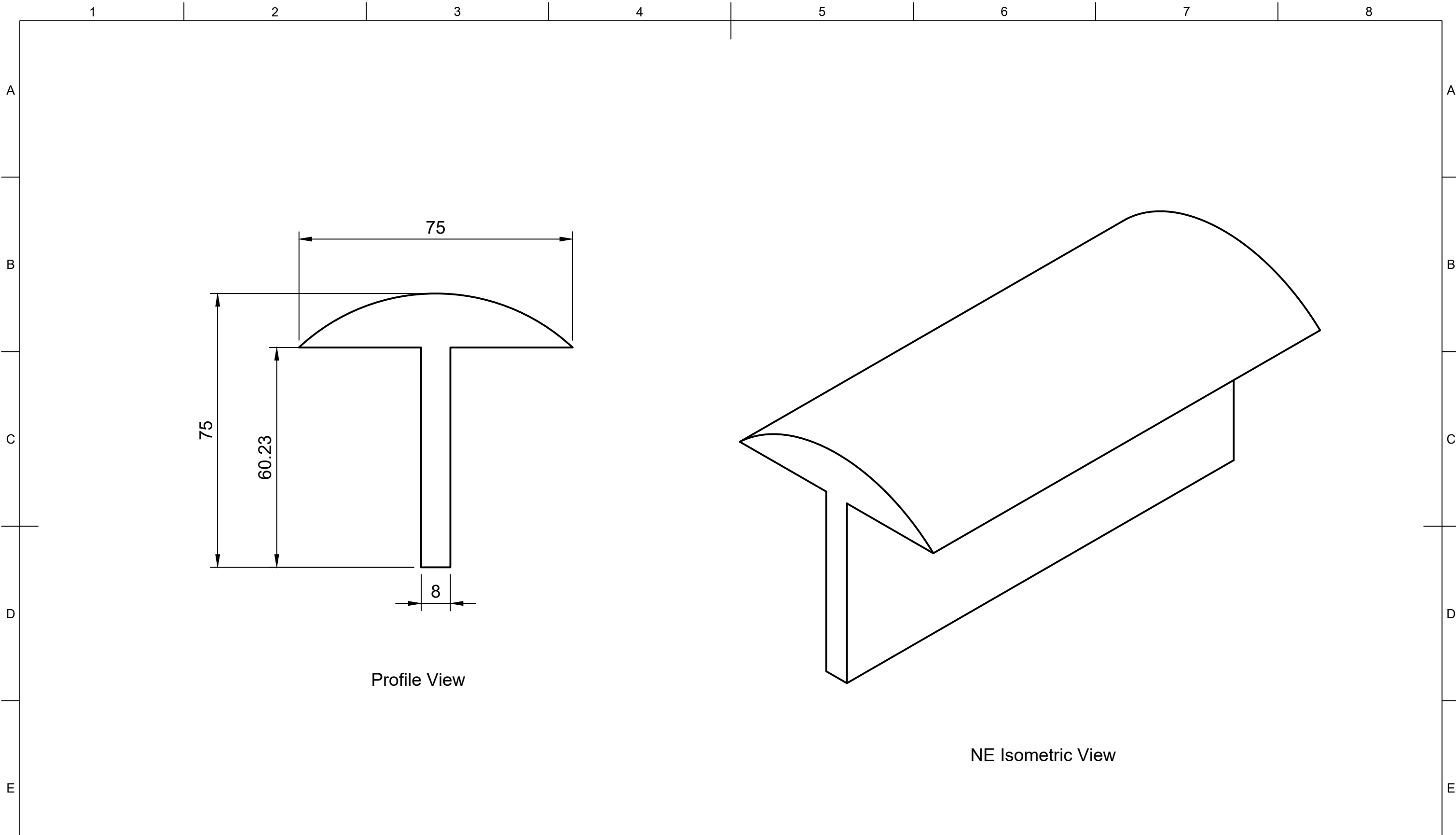


<b>Part Number</b> 202315	<b>Created By</b> David Stirling		<b>Cross Sectional Area (mm<sup>2</sup>)</b> 461		<b>Nominal Dimension (mm)</b>		<b>Tolerance, ± (mm)</b>	
	<b>Date Drawn</b> 26/05/2020		<b>Material</b> EPDM		<b>Greater Than</b>	<b>Less Than or Equal to</b>		
<b>Description</b> T Section (Domed)	<b>Approved By</b>		<b>Hardness (Shore A)</b> 70		0.00	1.50	0.40	
	<b>Date of Approval</b>		<b>Colour</b> Black		1.50	2.50	0.50	
<b>Revision</b> A	<b>Date of Issue</b> 24/01/2022	<b>Sheet Scale</b> 1:1	<b>Sheet Size</b> A3	<b>Sheet</b> 1/1	<b>Projection</b> 3rd Agl.	<b>Weight (g/m)</b> 581	2.50	
							0.70	
							4.00	0.80
							6.30	1.00
							10.00	1.30
							16.00	1.60
							25.00	2.00
							40.00	2.50
							63.00	3.20
							100.00	3.20%





	<b>Part Number</b>				<b>Created By</b>		<b>Cross Sectional Area (mm<sup>2</sup>)</b>		<b>Nominal Dimension (mm)</b>		<b>Tolerance, ± (mm)</b>	
	202460				David Stirling		7005		<b>Greater Than</b>	<b>Less Than or Equal to</b>		
	<b>Description</b>				<b>Date Drawn</b>		<b>Material</b>		0.00	1.50	0.40	
	T Section (Domed)				26/05/2020		EPDM		1.50	2.50	0.50	
	<b>Revision</b>				<b>Approved By</b>		<b>Hardness (Shore A)</b>		2.50	4.00	0.70	
	A	<b>Date of Issue</b>	<b>Sheet Scale</b>	<b>Sheet Size</b>	<b>Sheet</b>	<b>Date of Approval</b>		<b>Colour</b>		4.00	6.30	0.80
		24/01/2022	1:2	A3	1/1	3rd Agl.		Black		6.30	10.00	1.00
						<b>Projection</b>		<b>Weight (kg/m)</b>		10.00	16.00	1.30
						3rd Agl.		8.826		16.00	25.00	1.60
										25.00	40.00	2.00
									40.00	63.00	2.50	
									63.00	100.00	3.20	
									100.00		3.20%	

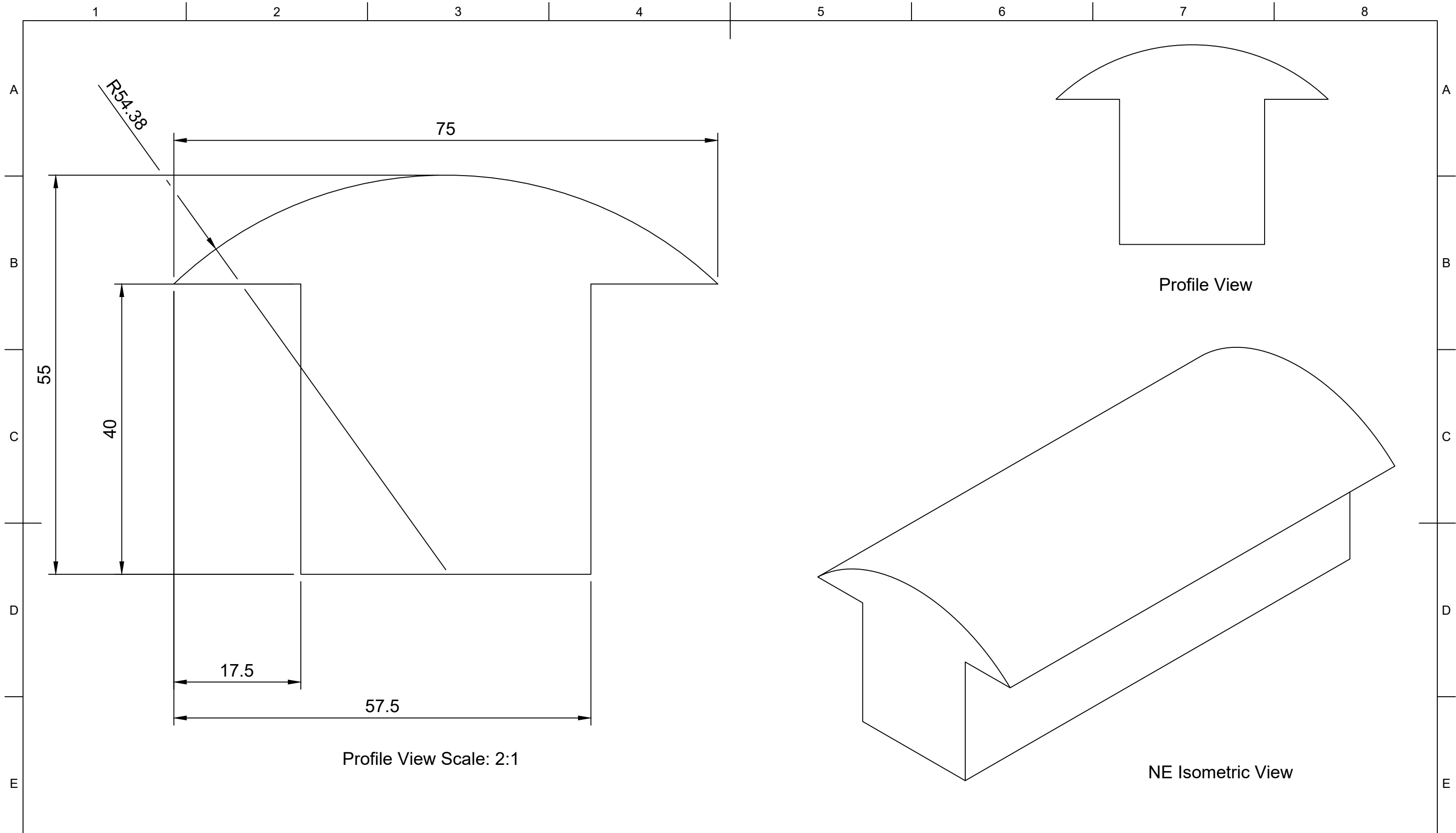


Profile View

NE Isometric View


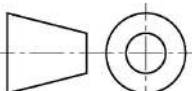


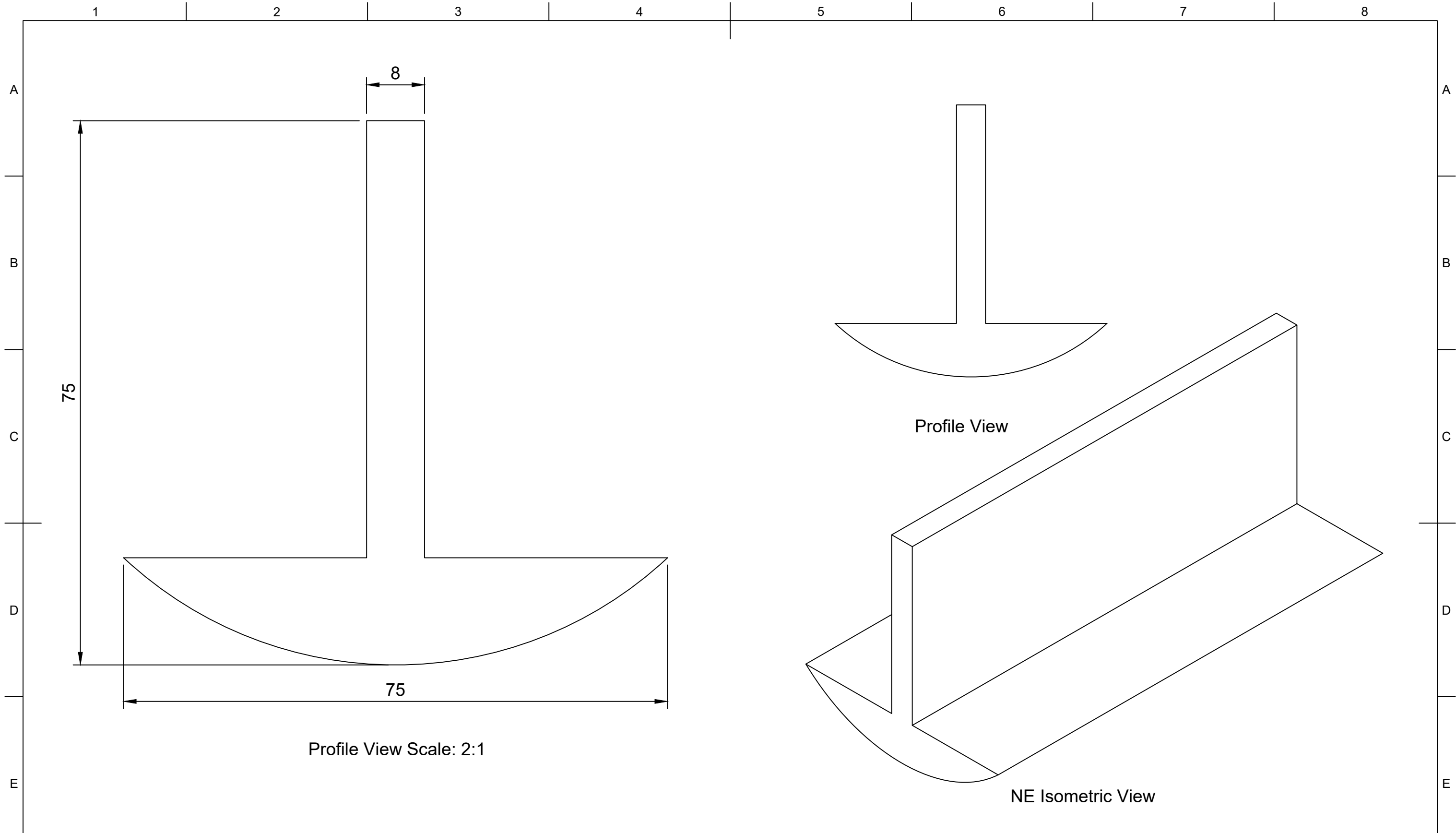
Part Number	203116				Created By	David Stirling	Cross Sectional Area (mm <sup>2</sup> )	1243		Nominal Dimension (mm)		Tolerance, ± (mm)
	Date Drawn	24/01/2022		Material	Neoprene		Greater Than	Less Than or Equal to				
Description	T Section (Domed)				Approved By		Hardness (Shore A)	70				
	Revision	Date of Issue	Sheet Scale	Sheet Size	Sheet	Projection	Colour	Black				
A		1:1	A3	1/1	3rd Agl.		Weight (kg/m)	1.889				
										0.00	1.50	0.40
										1.50	2.50	0.50
										2.50	4.00	0.70
										4.00	6.30	0.80
										6.30	10.00	1.00
										10.00	16.00	1.30
										16.00	25.00	1.60
										25.00	40.00	2.00
										40.00	63.00	2.50
										63.00	100.00	3.20
										100.00		3.20%


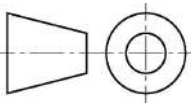


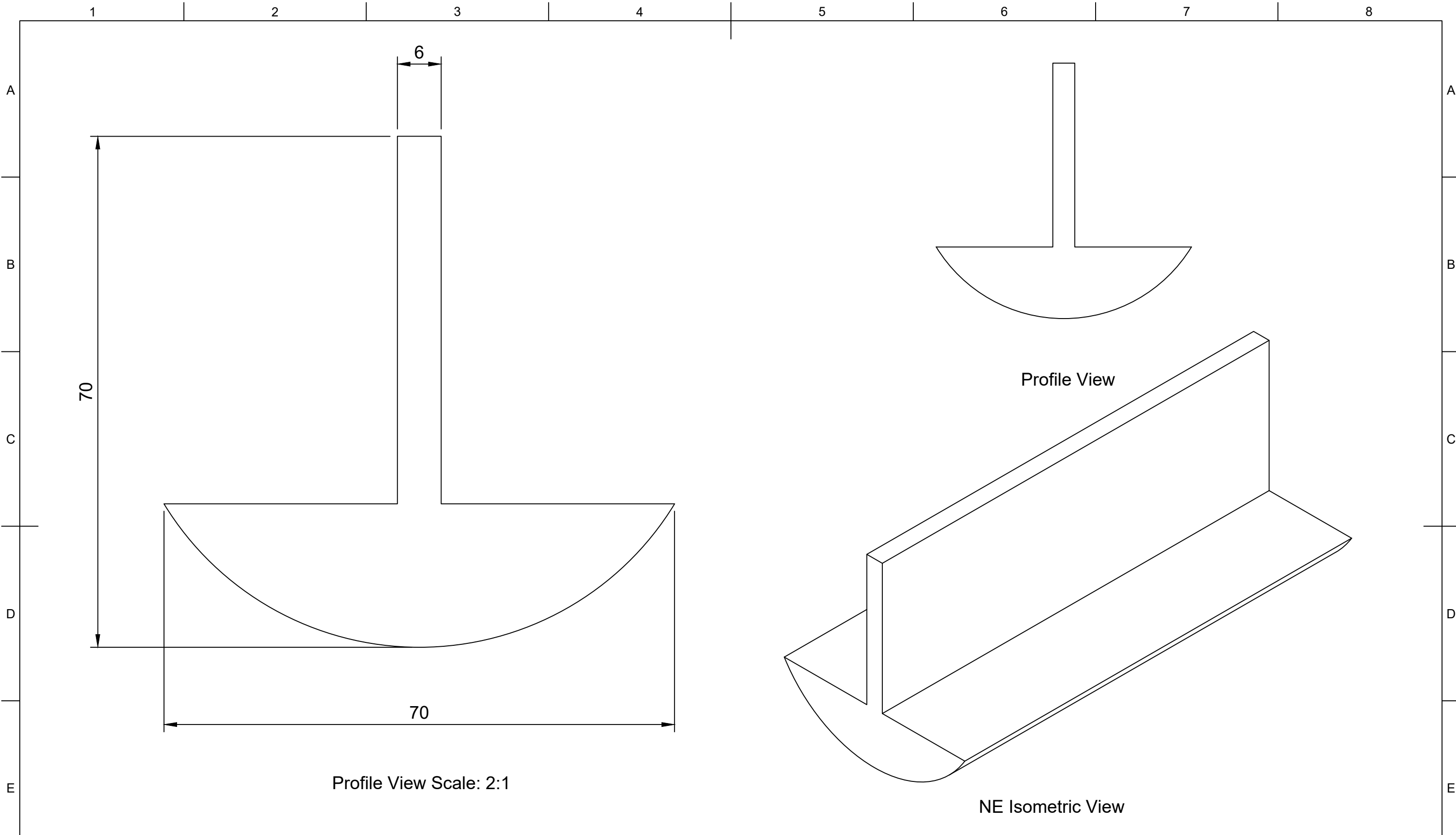
Profile View Scale: 2:1


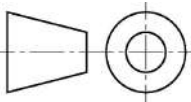
NE Isometric View

	<b>Part Number</b>				<b>Created By</b>		<b>Cross Sectional Area (mm<sup>2</sup>)</b>		<b>Nominal Dimension (mm)</b>		<b>Tolerance, ± (mm)</b>
	203739				David Stirling		2373		<b>Greater Than</b>	<b>Less Than or Equal to</b>	
<b>Description</b>				<b>Date Drawn</b>		<b>Material</b>					
T Section (Domed)				05/07/2020		EPDM					
				<b>Approved By</b>		<b>Hardness (Shore A)</b>					
						70					
				<b>Date of Approval</b>		<b>Colour</b>					
						Black					
				<b>Projection</b>		<b>Weight (kg/m)</b>					
				3rd Agl. 		2.990					
<b>Revision</b>	<b>Date of Issue</b>	<b>Sheet Scale</b>	<b>Sheet Size</b>	<b>Sheet</b>							
A	27/01/2022	1:1	A3	1/1							

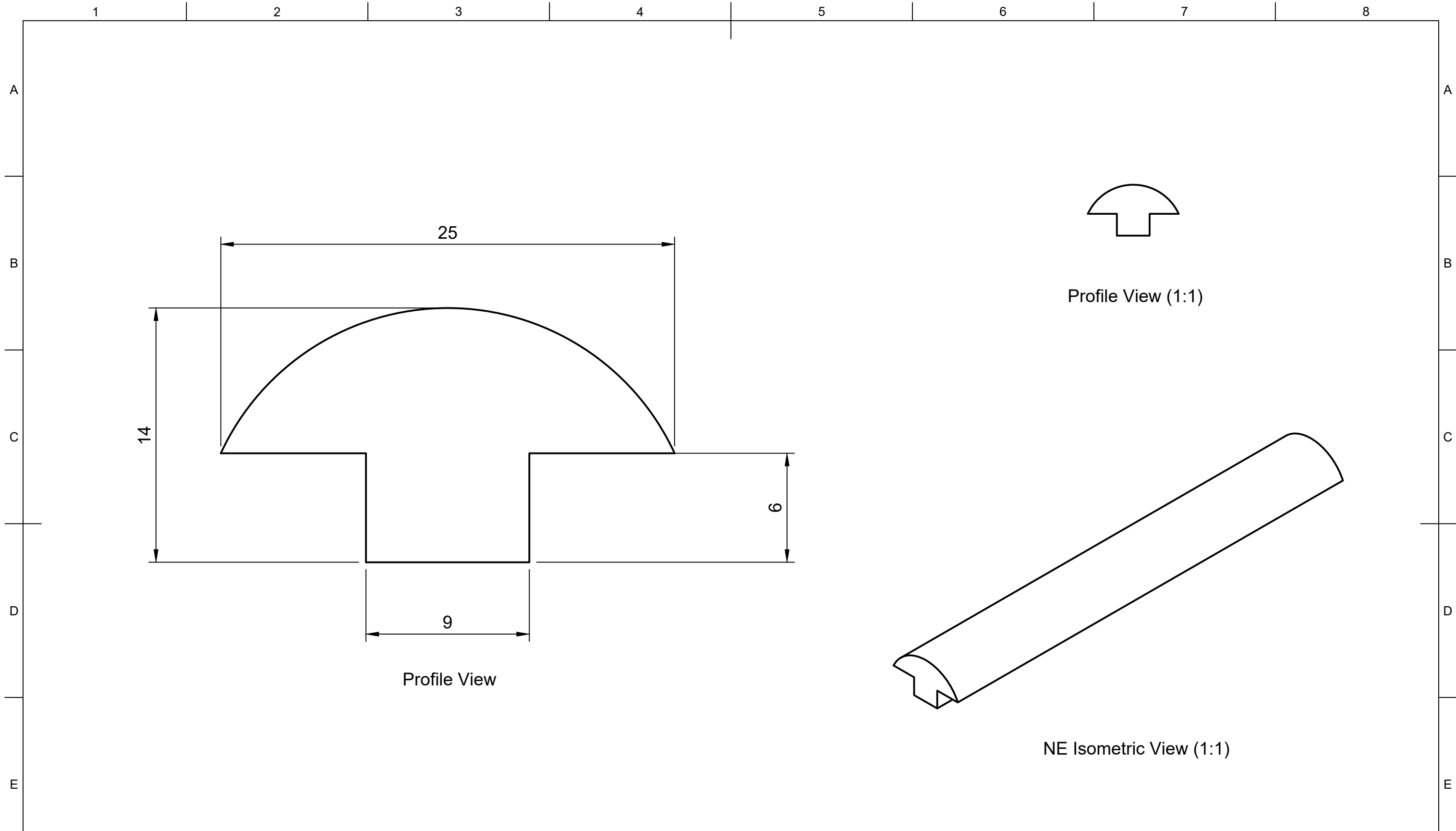



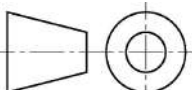
	Part Number				Created By		Cross Sectional Area (mm <sup>2</sup> )		Nominal Dimension (mm)		Tolerance, ± (mm)
	204039				David Stirling		1243		Greater Than	Less Than or Equal to	
	Description				Date Drawn		Material		0.00		0.40
					27/05/2020		EPDM		1.50		0.50
	T Section (Domed)				Approved By		Hardness (Shore A)		2.50		0.70
					Date of Approval		70		4.00		0.80
	Revision				Date of Issue		Colour		6.30		1.00
					24/01/2022		Black		10.00		1.30
	A		Sheet Scale		Projection		Weight (kg/m)		16.00		1.60
	1:1		A3		3rd Agl. 		1.566		25.00		2.00
1/1								40.00		2.50	
								63.00		3.20	
								100.00		3.20%	

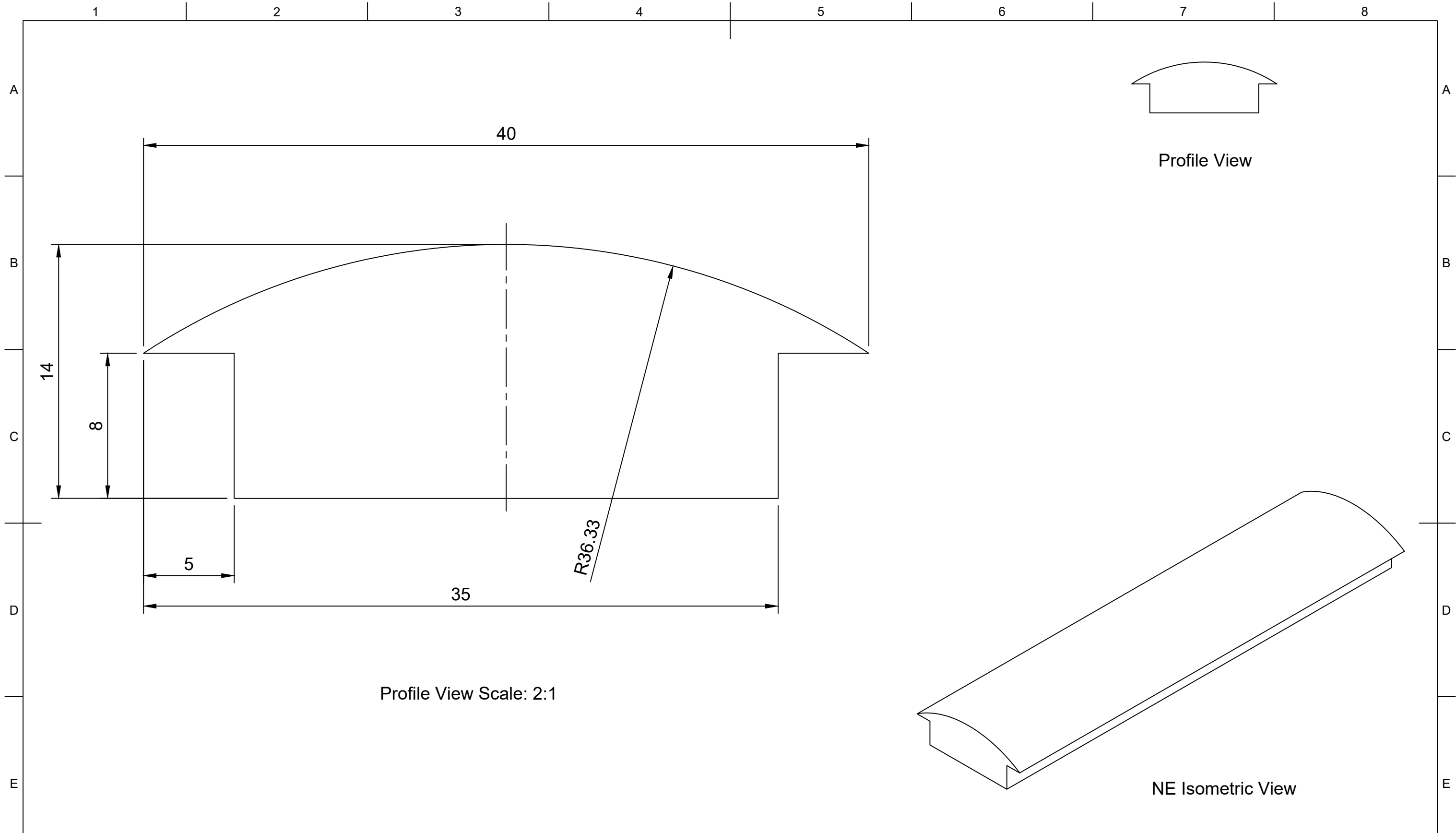



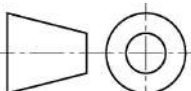
	<b>Part Number</b>				<b>Created By</b>		<b>Cross Sectional Area (mm<sup>2</sup>)</b>		<b>Nominal Dimension (mm)</b>		<b>Tolerance, ± (mm)</b>
	205155				David Stirling		1274		<b>Greater Than</b>	<b>Less Than or Equal to</b>	
	<b>Description</b>				<b>Date Drawn</b>		<b>Material</b>		0.00	1.50	0.40
	T Section (Domed)				27/05/2020		EPDM		1.50	2.50	0.50
					<b>Approved By</b>		<b>Hardness (Shore A)</b>		2.50	4.00	0.70
<b>Revision</b>	<b>Date of Issue</b>	<b>Sheet Scale</b>	<b>Sheet Size</b>	<b>Sheet</b>	<b>Date of Approval</b>	<b>Colour</b>		4.00	6.30	0.80	
A	24/01/2022	1:1	A3	1/1		Black		6.30	10.00	1.00	
					<b>Projection</b>	<b>Weight (kg/m)</b>		10.00	16.00	1.30	
					3rd Agl. 	1.605		16.00	25.00	1.60	
									25.00	40.00	2.00
									40.00	63.00	2.50
									63.00	100.00	3.20
									100.00		3.20%

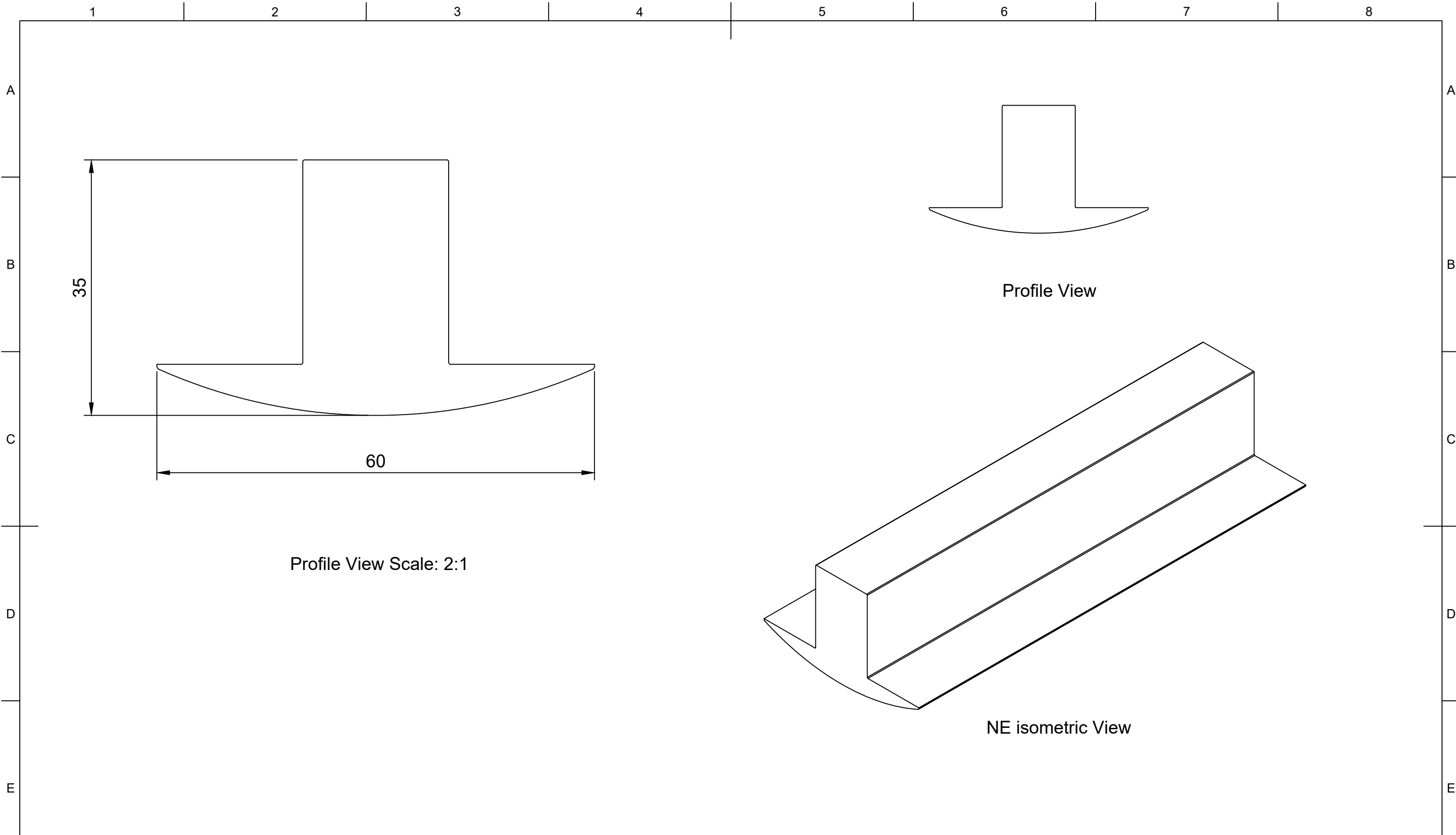



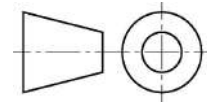


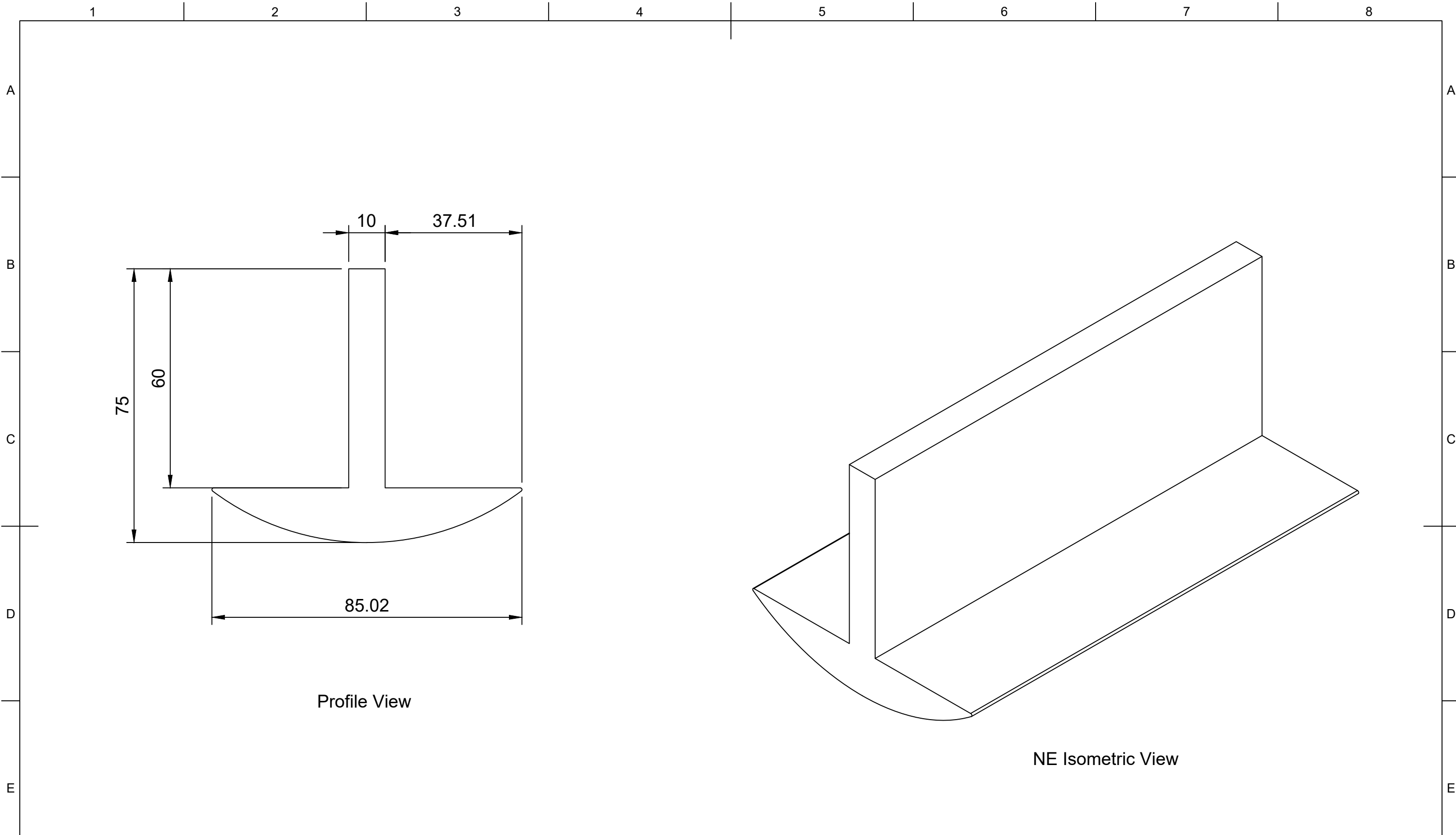
	Part Number				Created By		Cross Sectional Area (mm <sup>2</sup> )		Nominal Dimension (mm)		Tolerance, ± (mm)
	206264				David Stirling		198		Greater Than	Less Than or Equal to	
	Description				Date Drawn		Material		0.00		0.40
	T Section (Domed)				27/01/2022		Neoprene		1.50		0.50
	Revision				Approved By		Hardness (Shore A)		2.50		0.70
	Date of Issue				Date of Approval		70		4.00		0.80
	Sheet Scale				Projection		Colour		6.30		1.00
	Sheet Size				3rd Agl. 		Black		10.00		1.30
	Sheet				Weight (g/m)		301		16.00		1.60
	A	27/01/2022	5:1	A3	1/1			25.00		40.00	2.00
								40.00		63.00	2.50
								63.00		100.00	3.20
								100.00			3.20%



	Part Number				Created By		Cross Sectional Area (mm <sup>2</sup> )		Nominal Dimension (mm)		Tolerance, ± (mm)
	206715				David Stirling		403		Greater Than	Less Than or Equal to	
	Description				Date Drawn		Material		0.00		0.40
	T Section (Domed)				06/07/2020		EPDM		1.50		0.50
	Revision				Approved By		Hardness (Shore A)		2.50		0.70
	A				Date of Approval		70		4.00		0.80
	Date of Issue				Projection		Colour		6.30		1.00
	27/01/2022				3rd Agl. 		Black		10.00		1.30
	Sheet Scale				Weight (g/m)		508		16.00		1.60
	1:1								25.00		2.00
Sheet Size								40.00		2.50	
A3								63.00		3.20	
Sheet								100.00		3.20%	
1/1											


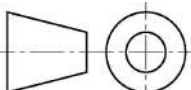


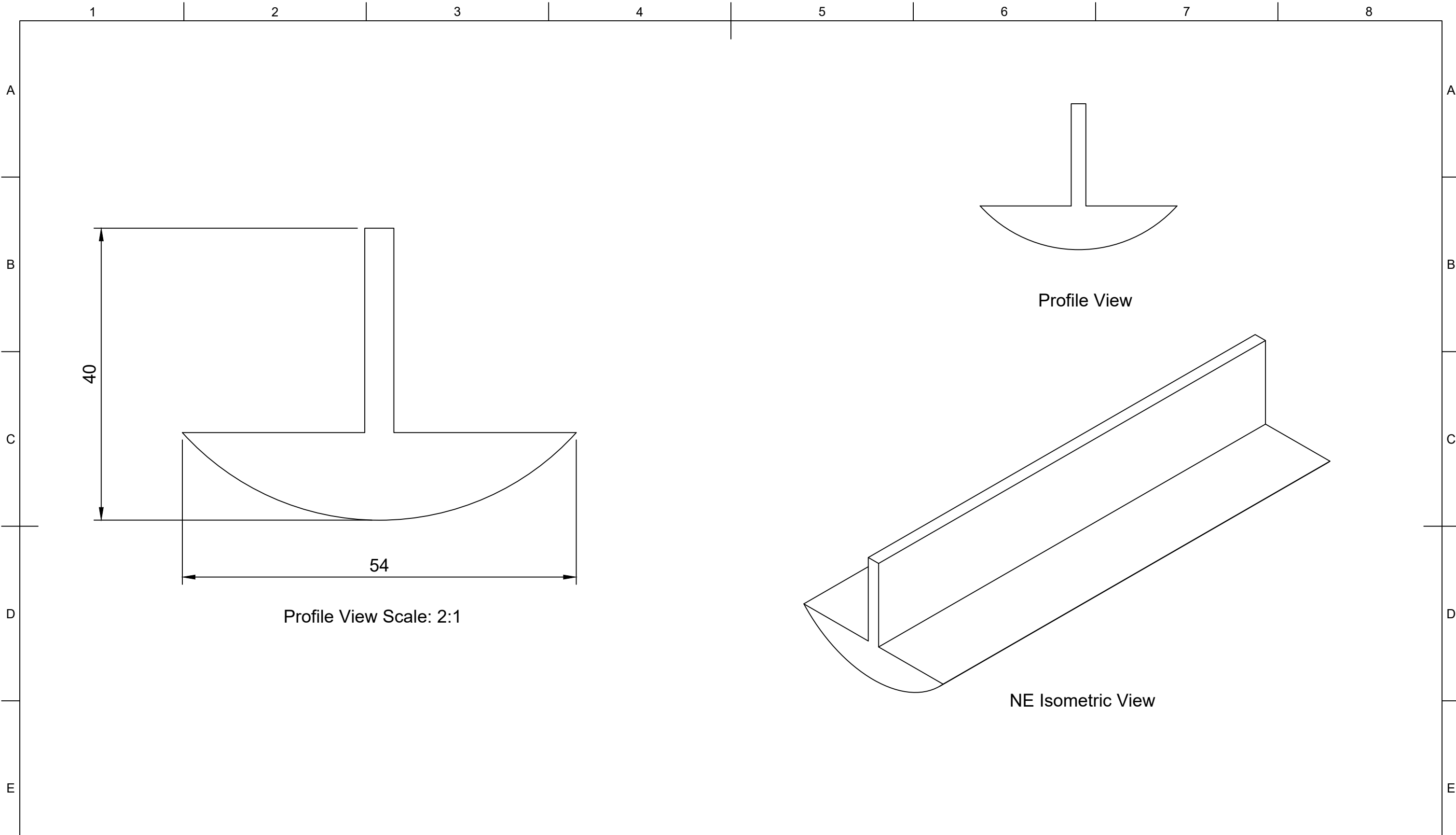
	<b>Part Number</b>				<b>Created By</b>		<b>Cross Sectional Area (mm<sup>2</sup>)</b>		<b>Nominal Dimension (mm)</b>		<b>Tolerance, ± (mm)</b>		
	207571				David Stirling		853		<b>Greater Than</b>	<b>Less Than or Equal to</b>			
	<b>Description</b>				<b>Date Drawn</b>		<b>Material</b>		0.00	1.50	0.40		
	T Section (Domed)				26/05/2020		EPDM		1.50	2.50	0.50		
	<b>Revision</b>				<b>Approved By</b>		<b>Hardness (Shore A)</b>		2.50	4.00	0.70		
	A	<b>Date of Issue</b>		<b>Sheet Scale</b>		<b>Sheet Size</b>		<b>Sheet</b>		<b>Date of Approval</b>		<b>Colour</b>	
		24/01/2022		1:1		A3		1/1		70		Black	
	<b>Projection</b>				<b>Weight (kg/m)</b>		3rd Agl.		1.075		10.00	16.00	1.30
											16.00	25.00	1.60
											25.00	40.00	2.00
										40.00	63.00	2.50	
										63.00	100.00	3.20	
										100.00		3.20%	


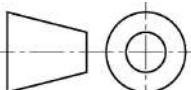


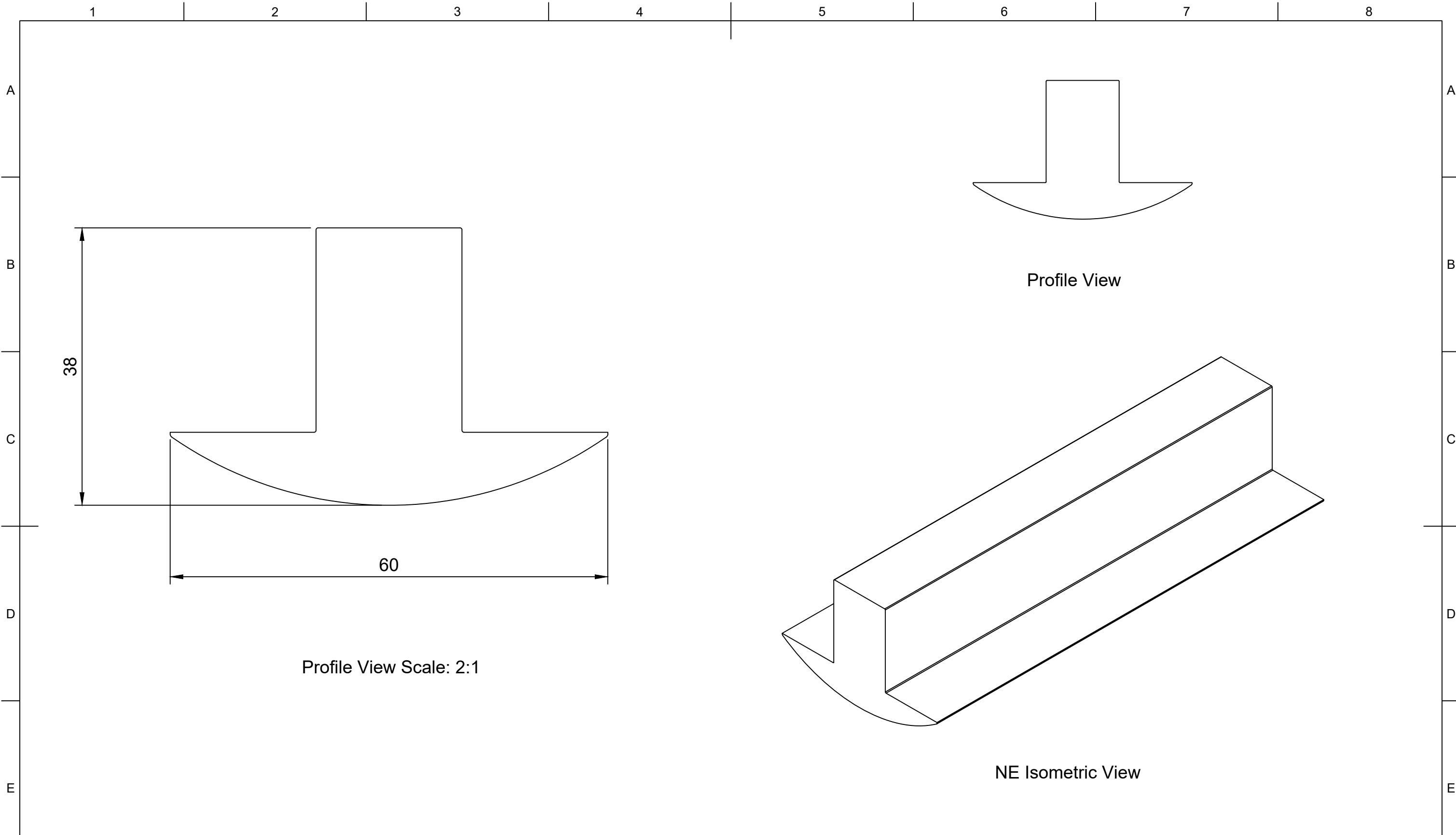
Profile View


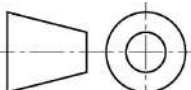
NE Isometric View

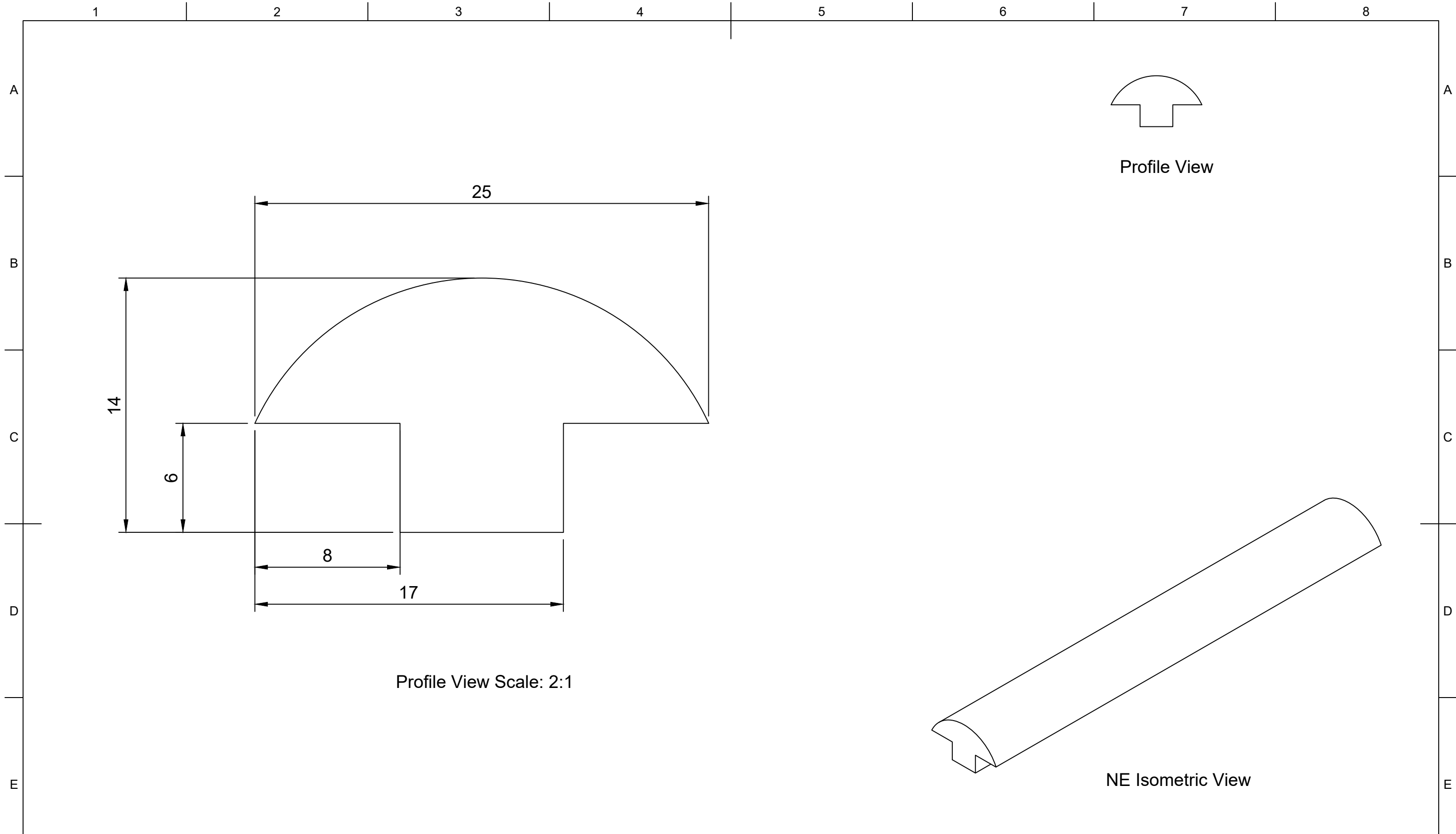
	<b>Part Number</b>				<b>Created By</b>		<b>Cross Sectional Area (mm<sup>2</sup>)</b>		<b>Nominal Dimension (mm)</b>		<b>Tolerance, ± (mm)</b>
	208014				David Stirling		1489		<b>Greater Than</b>	<b>Less Than or Equal to</b>	
	<b>Description</b>				<b>Date Drawn</b>		<b>Material</b>		0.00	1.50	0.40
	T Section (Domed)				27/05/2020		EPDM		1.50	2.50	0.50
	<b>Revision</b>				<b>Approved By</b>		<b>Hardness (Shore A)</b>		2.50	4.00	0.70
	A	<b>Date of Issue</b>		<b>Sheet Scale</b>	<b>Sheet Size</b>	<b>Sheet</b>	<b>Date of Approval</b>		4.00	6.30	0.80
		24/01/2022		1:1	A3	1/1	3rd Agl. 		6.30	10.00	1.00
							<b>Weight (g/m)</b>		10.00	16.00	1.30
							1.876		16.00	25.00	1.60
									25.00	40.00	2.00
								40.00	63.00	2.50	
								63.00	100.00	3.20	
								100.00		3.20%	


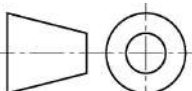


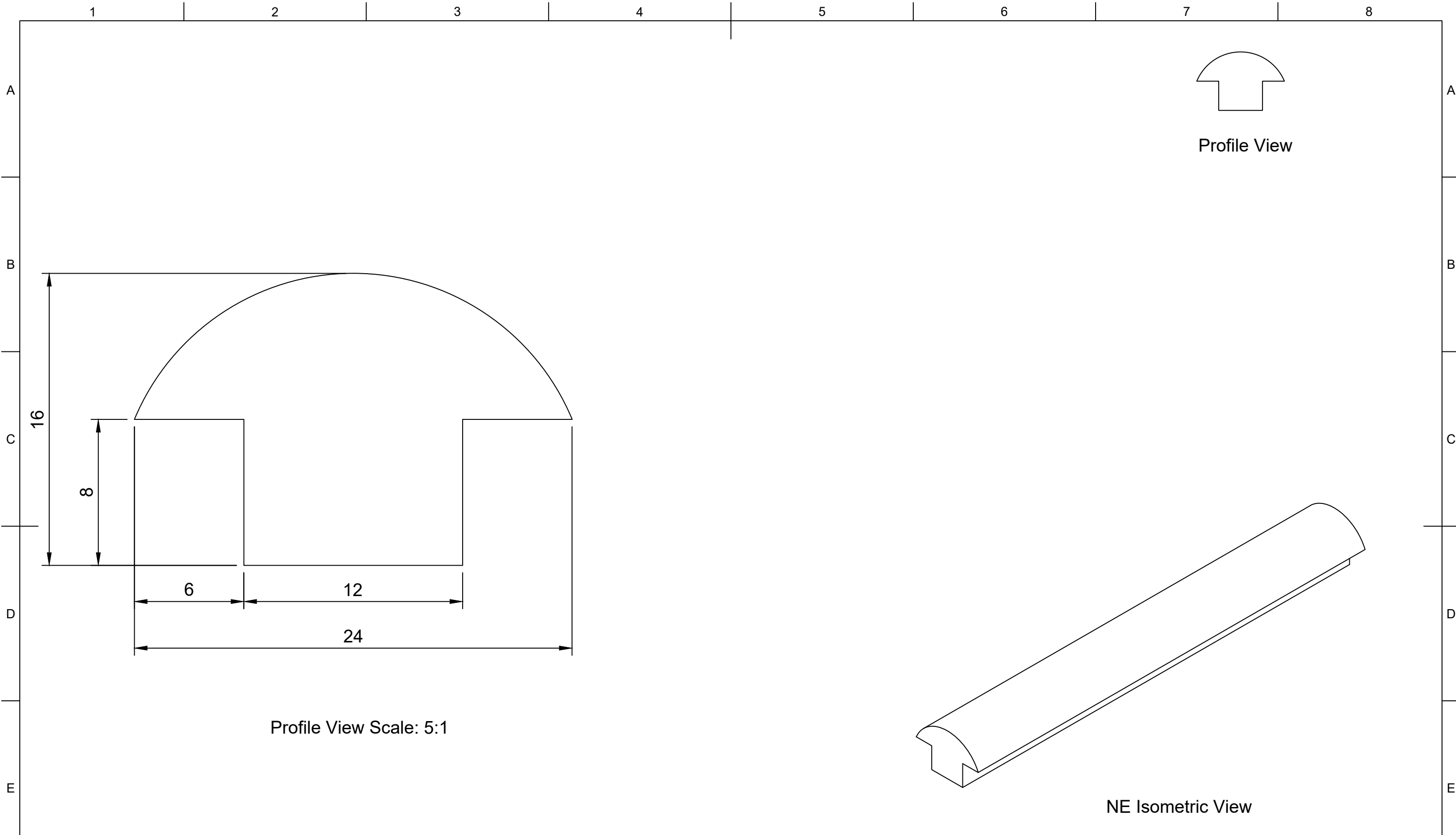
	Part Number				Created By		Cross Sectional Area (mm <sup>2</sup> )		Nominal Dimension (mm)		Tolerance, ± (mm)
	208599				David Stirling		561		Greater Than	Less Than or Equal to	
	Description				Date Drawn		Material		0.00		0.40
					26/05/2020		EPDM		1.50		0.50
	T Section (Domed)				Approved By		Hardness (Shore A)		2.50		0.70
					Date of Approval		70		4.00		0.80
	Revision				Date of Issue		Colour		6.30		1.00
					24/01/2022		Black		10.00		1.30
	A		Sheet Scale		Sheet Size		Sheet		16.00		1.60
	1:1		A3		1/1		Projection		25.00		2.00
3rd Agl.				Weight (g/m)		853		40.00		2.50	
								63.00		3.20	
								100.00		3.20%	


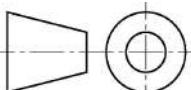


	<b>Part Number</b>				<b>Created By</b>		<b>Cross Sectional Area (mm<sup>2</sup>)</b>		<b>Nominal Dimension (mm)</b>		<b>Tolerance, ± (mm)</b>	
	208700				David Stirling		977		<b>Greater Than</b>	<b>Less Than or Equal to</b>		
	<b>Description</b>				<b>Date Drawn</b>		<b>Material</b>		0.00		0.40	
	T Section (Domed)				27/05/2020		EPDM		1.50		0.50	
	<b>Revision</b>				<b>Approved By</b>		<b>Hardness (Shore A)</b>		2.50		0.70	
	A	<b>Date of Issue</b>		<b>Sheet Scale</b>		<b>Date of Approval</b>		<b>Colour</b>		4.00		0.80
		24/01/2022		1:1				Black		6.30		1.00
				<b>Sheet Size</b>		<b>Projection</b>		<b>Weight (kg/m)</b>		10.00		1.30
				A3		3rd Ang. 		1.231		16.00		1.60
				1/1						25.00		2.00
									40.00		2.50	
									63.00		3.20	
									100.00		3.20%	

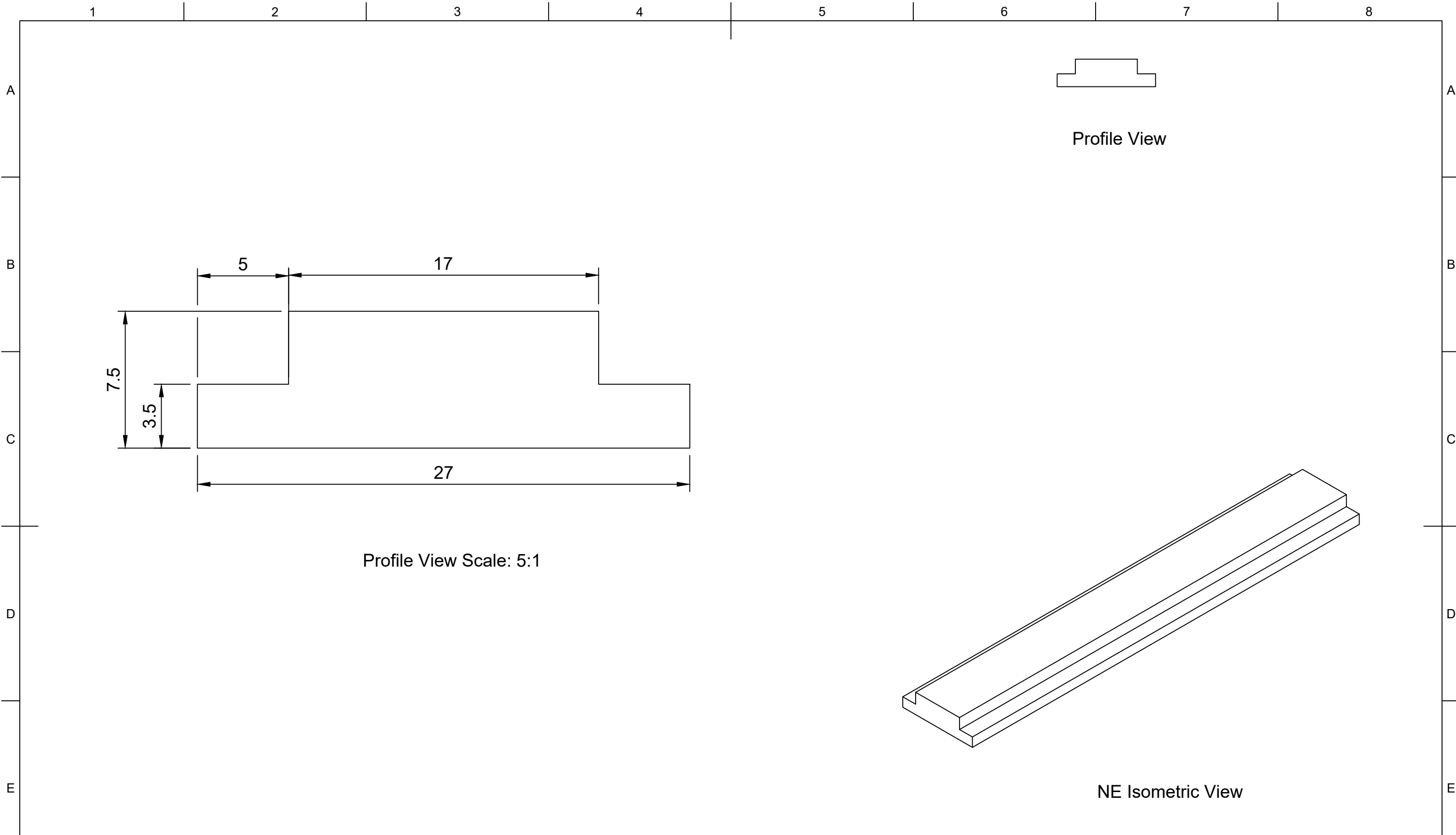


	Part Number				Created By		Cross Sectional Area (mm <sup>2</sup> )		Nominal Dimension (mm)		Tolerance, ± (mm)
	209902				David Stirling		198		Greater Than	Less Than or Equal to	
	Description				Date Drawn		Material		0.00		0.40
	T Section (Domed)				05/07/2020		EPDM		1.50		0.50
	Revision				Approved By		Hardness (Shore A)		2.50		0.70
	Date of Issue				Date of Approval		70		4.00		0.80
	Sheet Scale				Projection		Colour		6.30		1.00
	Sheet Size				3rd Agl. 		Black		10.00		1.30
	Sheet				Weight (g/m)		249		16.00		1.60
	A				27/01/2022		249		25.00		2.00
1:1				A3		249		40.00		2.50	
1/1				249		249		63.00		3.20	
249				249		249		100.00		3.20%	

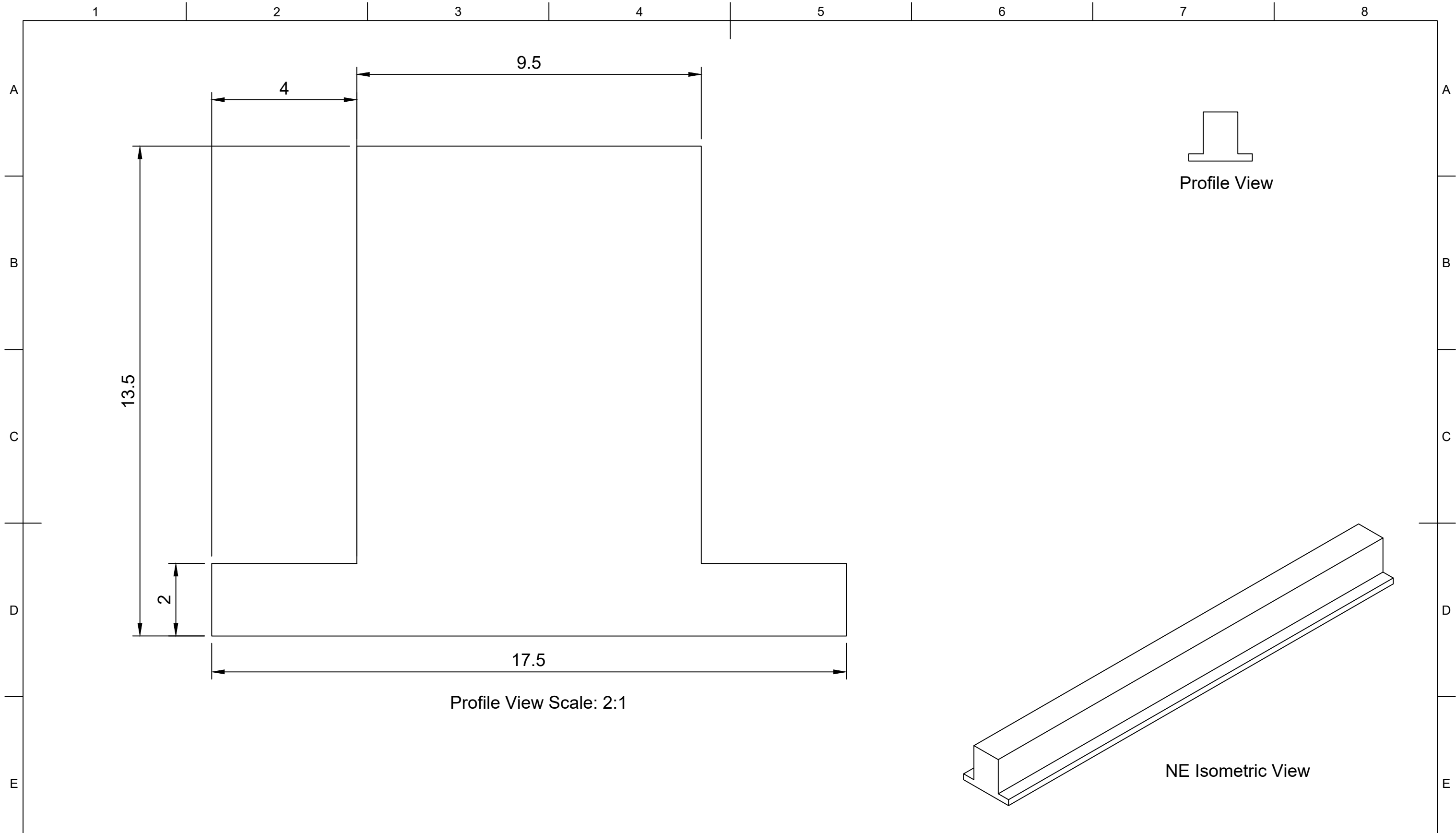


	Part Number				Created By		Cross Sectional Area (mm <sup>2</sup> )		Nominal Dimension (mm)		Tolerance, ± (mm)
	209966				David Stirling		235		Greater Than	Less Than or Equal to	
	Description				Date Drawn		Material		0.00		0.40
					26/05/2020		EPDM		1.50		0.50
	T Section (Domed)				Approved By		Hardness (Shore A)		2.50		0.70
					Date of Approval		70		4.00		0.80
	Revision				Date of Issue		Colour		6.30		1.00
					24/01/2022		Black		10.00		1.30
	A		Sheet Scale		Projection		Weight (g/m)		16.00		1.60
	1:1		A3		3rd Agl. 		296		25.00		2.00
1/1		Sheet Size		Sheet				40.00		2.50	
		A3		1/1				63.00		3.20	
								100.00		3.20%	





	<b>Part Number</b>				<b>Created By</b>		<b>Cross Sectional Area (mm<sup>2</sup>)</b>		<b>Nominal Dimension (mm)</b>		<b>Tolerance, ± (mm)</b>
	209794				David Stirling		163		<b>Greater Than</b>	<b>Less Than or Equal to</b>	
	<b>Description</b>				<b>Date Drawn</b>		<b>Material</b>		0.00	1.50	0.40
	T Section				30/05/2020		EPDM		1.50	2.50	0.50
	<b>Revision</b>				<b>Approved By</b>		<b>Hardness (Shore A)</b>		2.50	4.00	0.70
	A	<b>Date of Issue</b>		<b>Sheet Scale</b>	<b>Sheet Size</b>	<b>Sheet</b>	<b>Date of Approval</b>		4.00	6.30	0.80
		24/01/2022		1:1	A3	1/1	3rd Agl.		6.30	10.00	1.00
							<b>Weight (g/m)</b>		10.00	16.00	1.30
							205		16.00	25.00	1.60
									25.00	40.00	2.00
								40.00	63.00	2.50	
								63.00	100.00	3.20	
								100.00		3.20%	

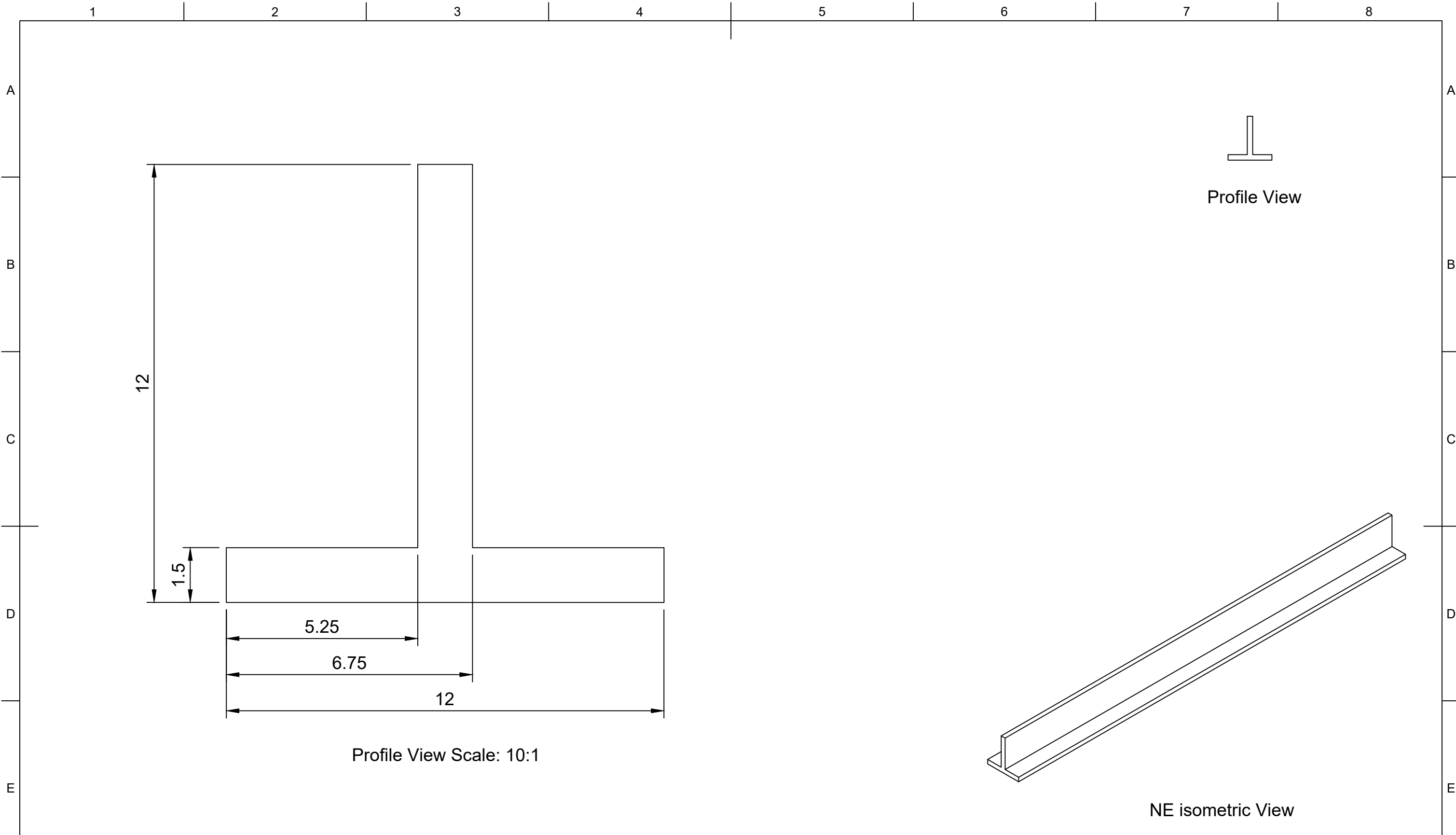


Profile View Scale: 2:1

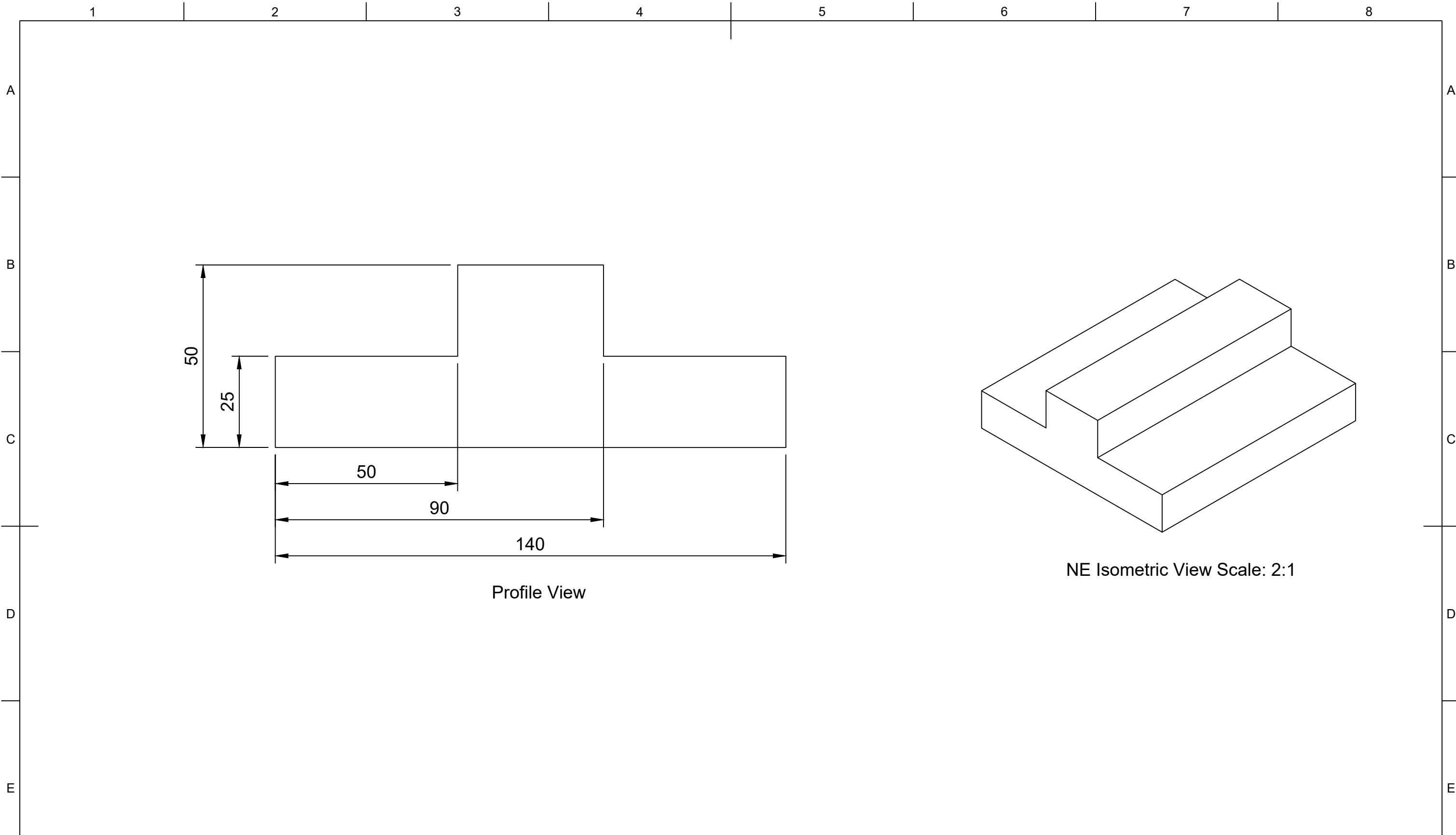
NE Isometric View



Part Number		203183			Created By	Isaac Erskine	Cross Sectional Area (mm <sup>2</sup> )	144		Nominal Dimension (mm)		Tolerance, ± (mm)
					Date Drawn	01/09/2020	Material	EPDM	Greater Than	Less Than or Equal to		
Description		T Section			Approved By	Isaac Erskine	Hardness (Shore A)	70		0.00	1.50	0.40
					Date of Approval	28/02/22	Colour	Black	1.50	2.50	0.50	
Revision	Date of Issue	Sheet Scale	Sheet Size	Sheet	Projection	3rd Agl.	Weight (g/m)	181		2.50	4.00	0.70
A	28/02/22	1:1	A3	1/1	25.00		40.00	2.00				
										63.00	100.00	3.20
										100.00		3.20%


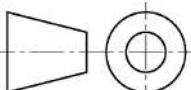


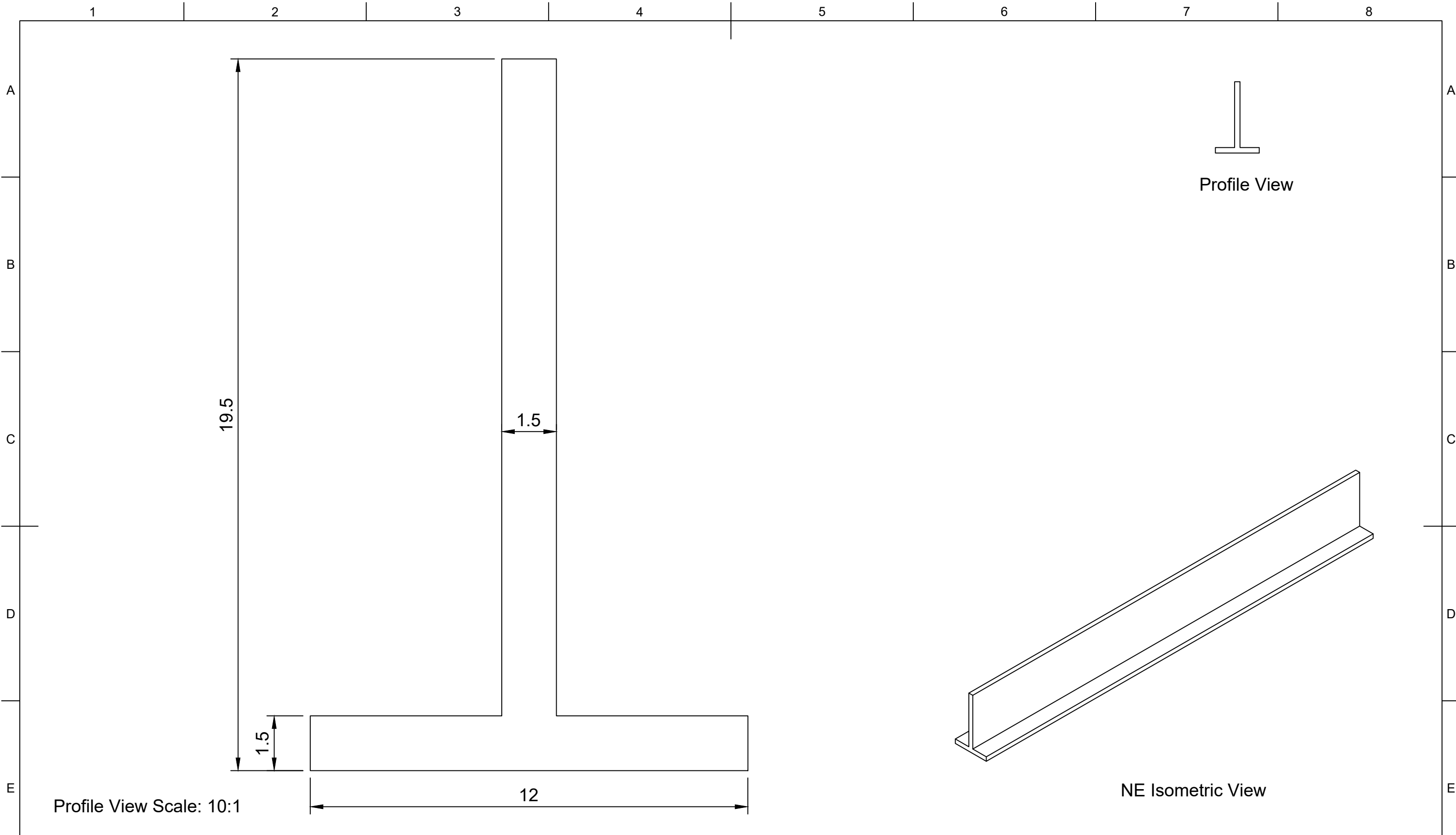
	<b>Part Number</b>				<b>Created By</b>		<b>Cross Sectional Area (mm<sup>2</sup>)</b>		<b>Nominal Dimension (mm)</b>		<b>Tolerance, ± (mm)</b>			
	204769				Isaac Erskine		34		<b>Greater Than</b>	<b>Less Than or Equal to</b>				
	<b>Description</b>				<b>Date Drawn</b>		<b>Material</b>		0.00	1.50	0.40			
					14/09/2020		EPDM		1.50	2.50	0.50			
	T Section				<b>Approved By</b>		<b>Hardness (Shore A)</b>		2.50	4.00	0.70			
					Isaac Erskine		70		4.00	6.30	0.80			
					<b>Date of Approval</b>		<b>Colour</b>		6.30	10.00	1.00			
					01/03/2022		Black		10.00	16.00	1.30			
	<b>Revision</b>		<b>Date of Issue</b>		<b>Sheet Scale</b>		<b>Sheet Size</b>		<b>Sheet</b>		<b>Projection</b>		<b>Weight (g/m)</b>	
	A		01/03/2022		1:1		A3		1/1		3rd Agl.		25.00	40.00
										40.00	63.00	2.50		
										63.00	100.00	3.20		
										100.00	---	3.20%		



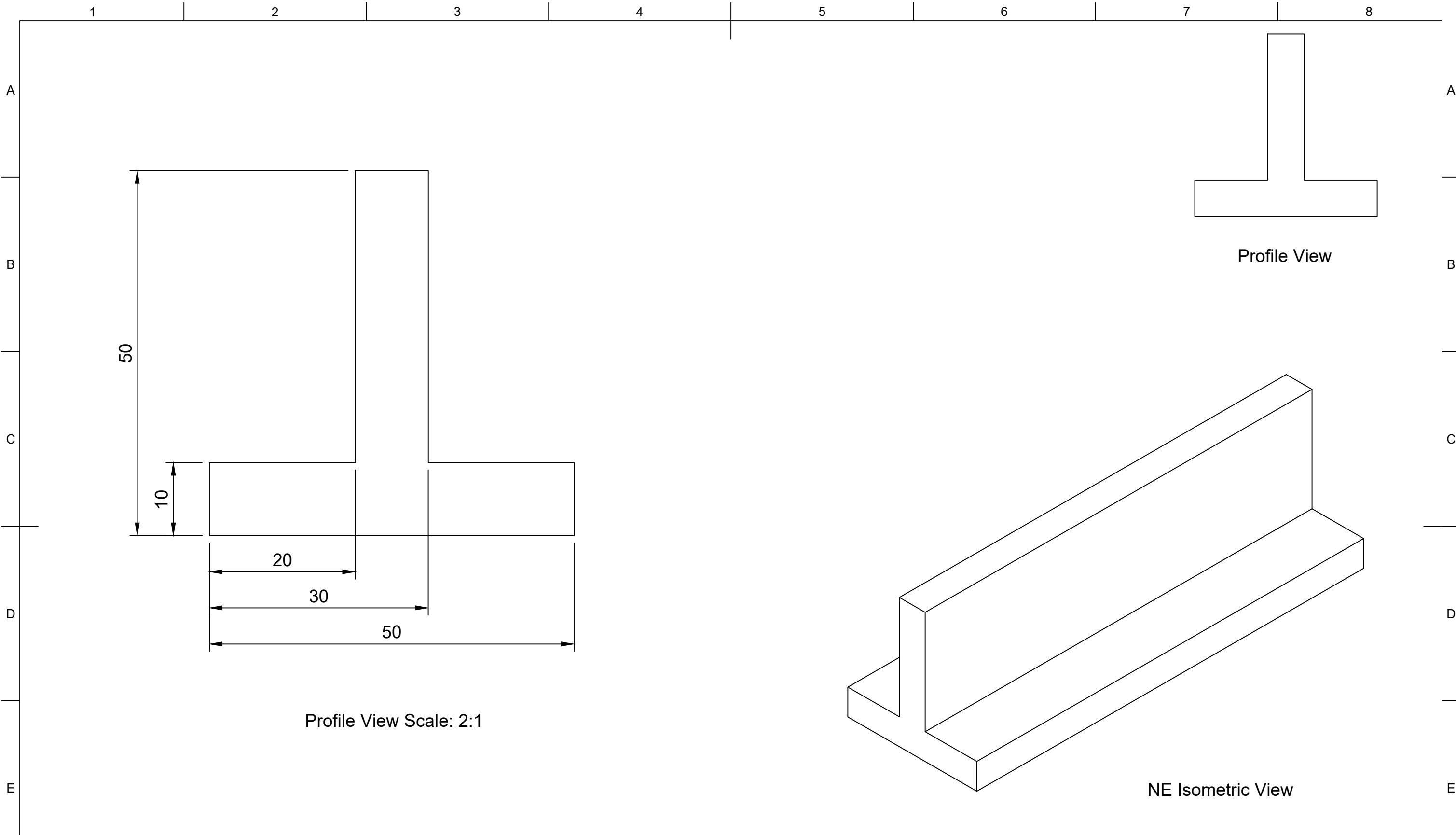
Profile View

NE Isometric View Scale: 2:1

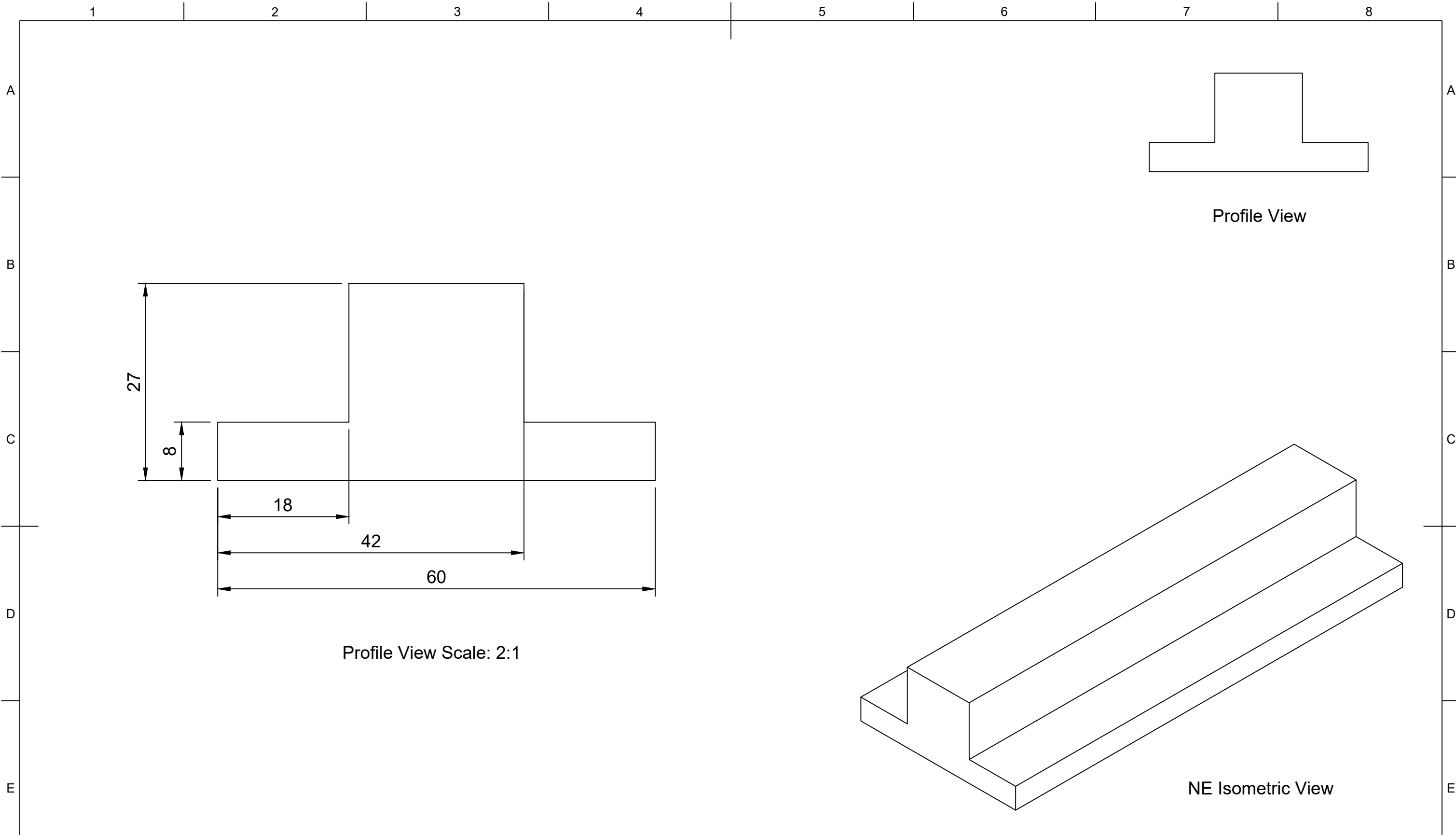
	<b>Part Number</b>				<b>Created By</b>		<b>Cross Sectional Area (mm<sup>2</sup>)</b>		<b>Nominal Dimension (mm)</b>		<b>Tolerance, ± (mm)</b>
	209627				Isaac Erskine		4500		<b>Greater Than</b>	<b>Less Than or Equal to</b>	
	<b>Description</b>				<b>Date Drawn</b>		<b>Material</b>		0.00	1.50	0.40
	T Section				14/09/2020		Neoprene		1.50	2.50	0.50
	<b>Revision</b>				<b>Approved By</b>		<b>Hardness (Shore A)</b>		2.50	4.00	0.70
	A	01/03/2022		Isaac Erskine		70		4.00	6.30	0.80	
	<b>Date of Issue</b>		<b>Sheet Scale</b>		<b>Date of Approval</b>		<b>Colour</b>		6.30	10.00	1.00
	1:1		A3		01/03/2022		Black		10.00	16.00	1.30
	<b>Sheet Size</b>		<b>Sheet</b>		<b>Projection</b>		<b>Weight (g/m)</b>		16.00	25.00	1.60
	A3		1/1		3rd Ang. 		6.840		25.00	40.00	2.00
								40.00	63.00	2.50	
								63.00	100.00	3.20	
								100.00		3.20%	



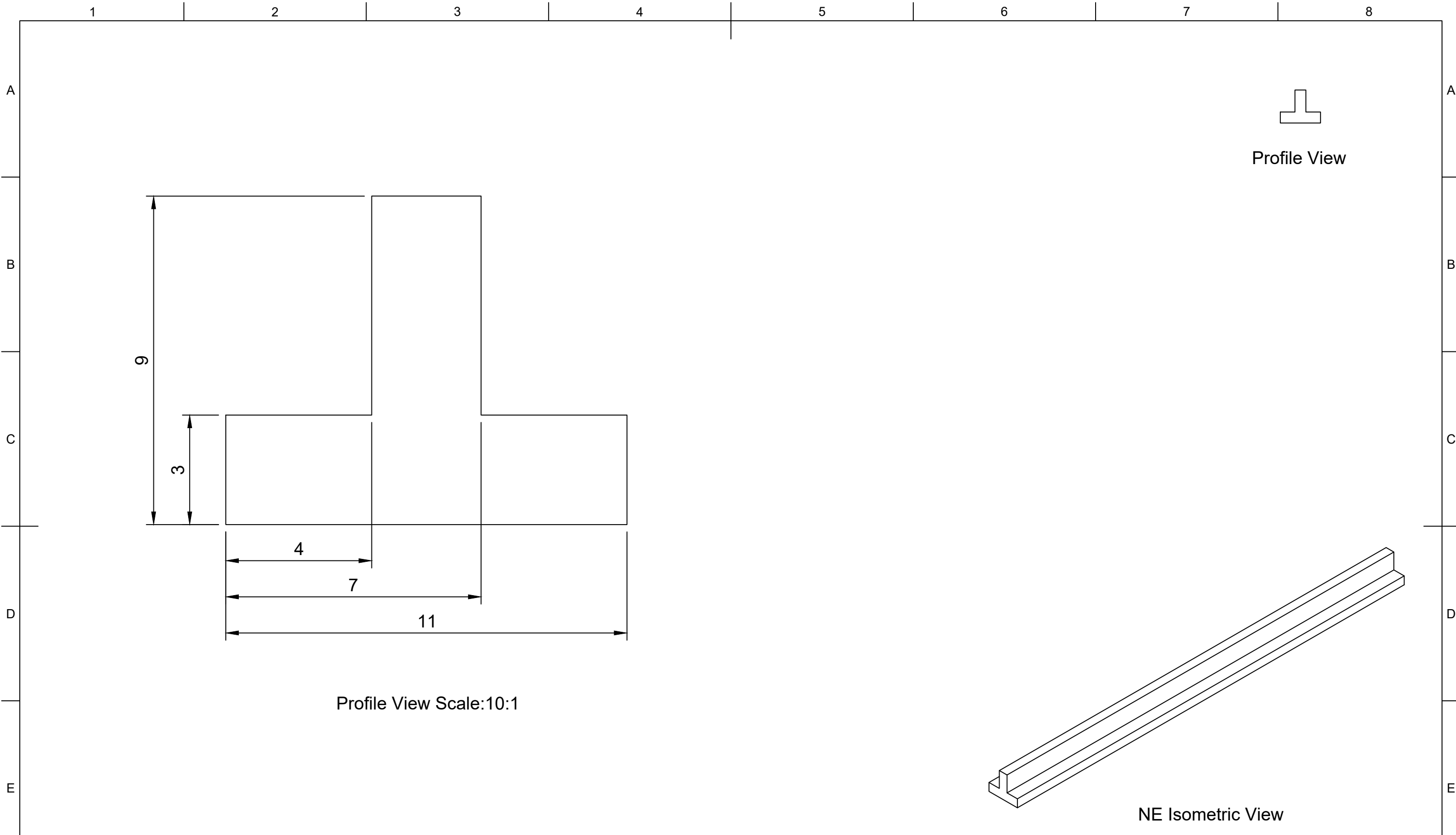
Part Number <b>209526</b>					Created By Isaac Erskine		Cross Sectional Area (mm <sup>2</sup> ) 45		Nominal Dimension (mm)		Tolerance, ± (mm)
					Date Drawn 14/09/2020		Material EPDM		Greater Than	Less Than or Equal to	
Description <b>T Section</b>					Approved By Isaac Erskine		Hardness (Shore A) 70		0.00	1.50	0.40
					Date of Approval 01/03/2022		Colour Black		1.50	2.50	0.50
Revision A	Date of Issue 01/03/2022	Sheet Scale 1:1	Sheet Size A3	Sheet 1/1	Projection 3rd Agl.	Weight (g/m) 57		2.50	4.00	0.70	
						4.00	6.30	0.80			
								6.30	10.00	1.00	
								10.00	16.00	1.30	
								16.00	25.00	1.60	
								25.00	40.00	2.00	
								40.00	63.00	2.50	
								63.00	100.00	3.20	
								100.00		3.20%	


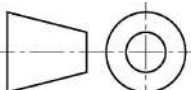


Part Number		203257			Created By	Isaac Erskine	Cross Sectional Area (mm <sup>2</sup> )	900		Nominal Dimension (mm)		Tolerance, ± (mm)
					Date Drawn	15/09/2020	Material	EPDM	Greater Than	Less Than or Equal to		
Description		T Section			Approved By	Isaac Erskine	Hardness (Shore A)	70		0.00	1.50	0.40
					Date of Approval	01/03/2022	Colour	Black	1.50	2.50	0.50	
Revision	Date of Issue	Sheet Scale	Sheet Size	Sheet	Projection	3rd Agl.	Weight (kg/m)	1.134		2.50	4.00	0.70
A	01/03/2022	1:1	A3	1/1	25.00		40.00	2.00				
										40.00	63.00	2.50
										63.00	100.00	3.20
										100.00		3.20%

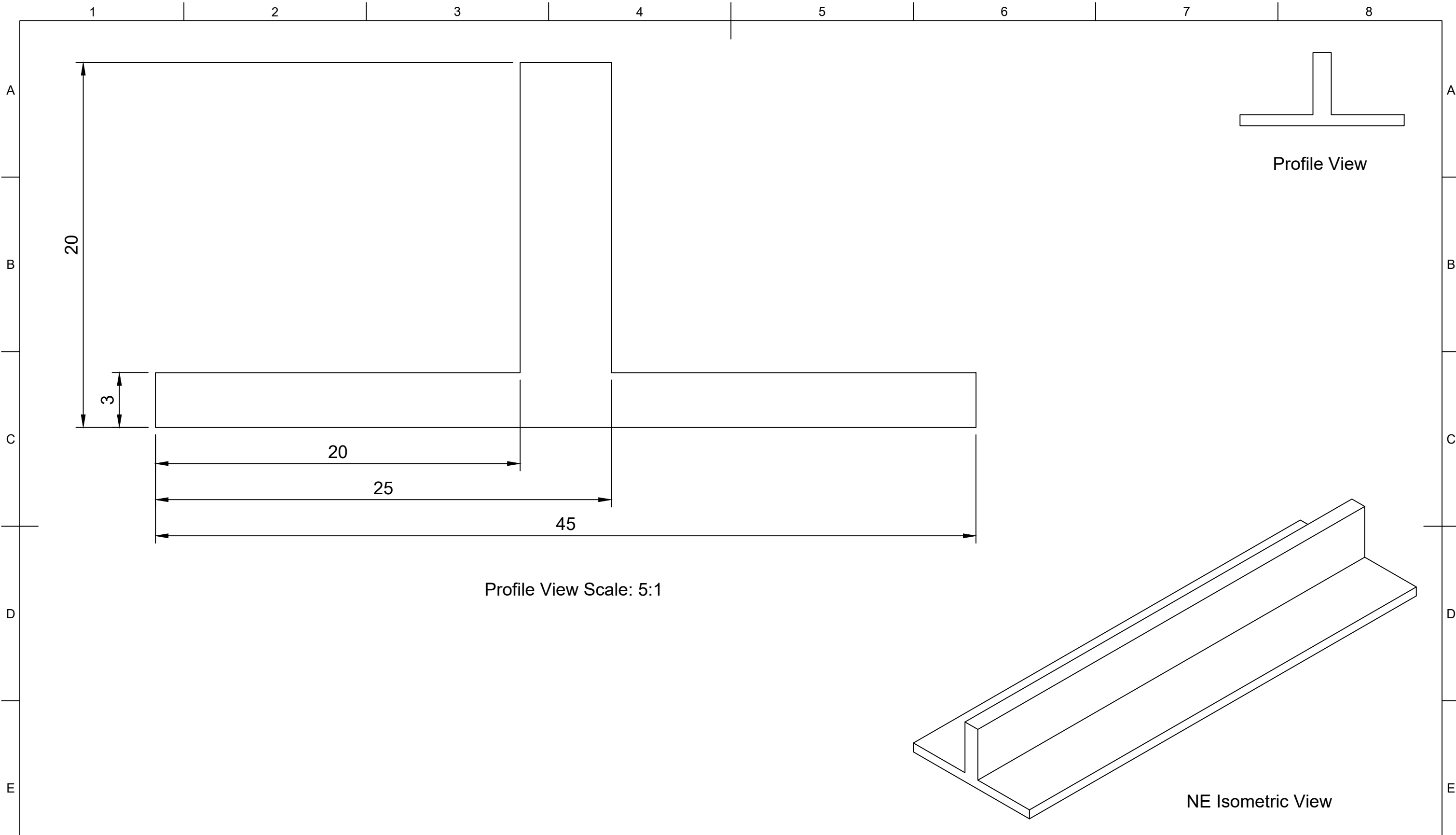



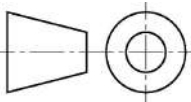
Part Number		203313			Created By	Isaac Erskine	Cross Sectional Area (mm <sup>2</sup> )	936		Nominal Dimension (mm)		Tolerance, ± (mm)
					Date Drawn	15/09/2020	Material	Nitrile	Greater Than	Less Than or Equal to		
Description		T Section			Approved By	Isaac Erskine	Hardness (Shore A)	70		0.00	1.50	0.40
					Date of Approval	01/03/2022	Colour	Black	1.50	2.50	0.50	
Revision	Date of Issue	Sheet Scale	Sheet Size	Sheet	Projection	3rd Agl.	Weight (kg/m)	1.133		2.50	4.00	0.70
A	01/03/2022	1:1	A3	1/1	25.00		40.00	2.00				
										40.00	63.00	2.50
										63.00	100.00	3.20
										100.00		3.20%

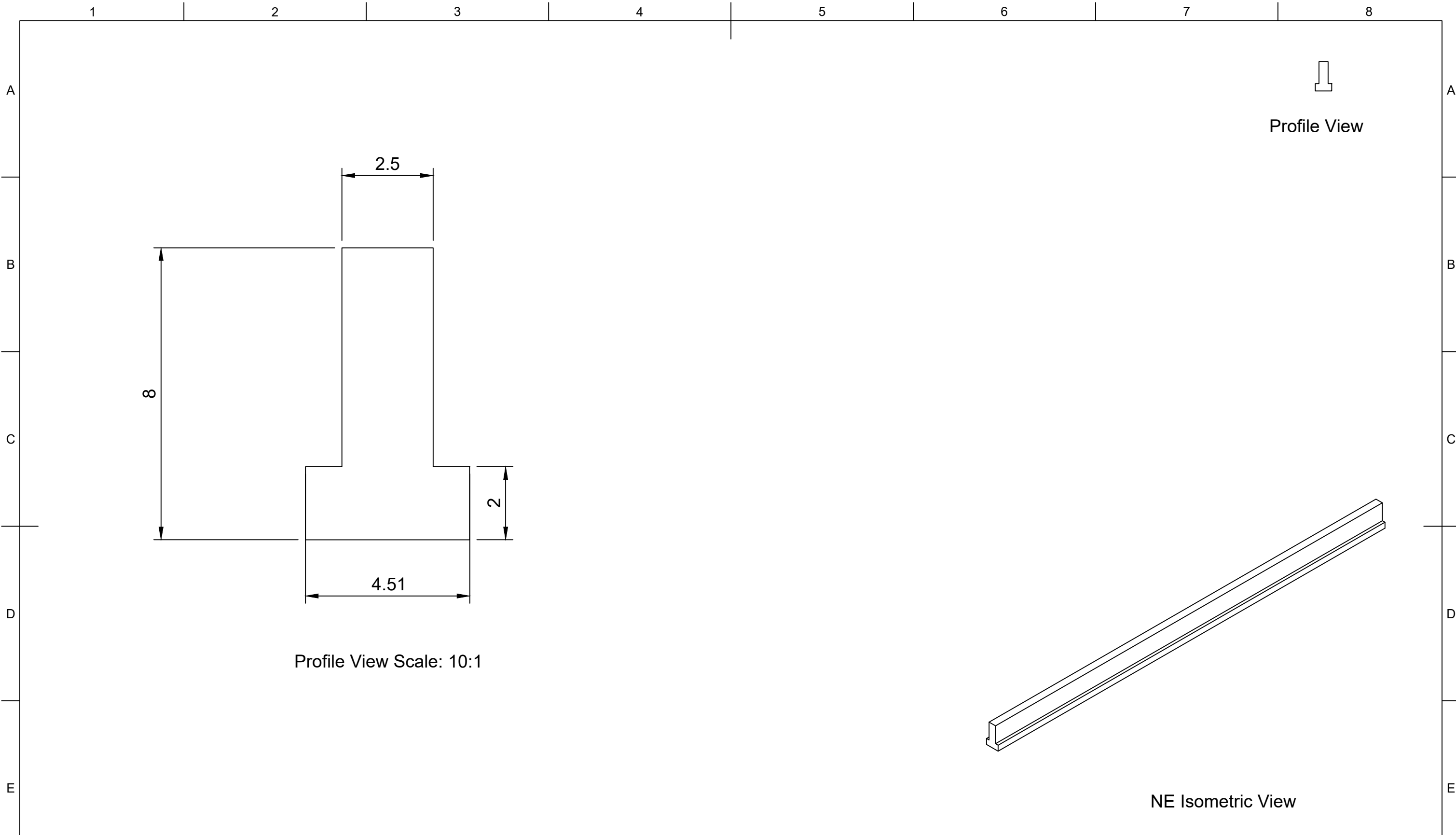



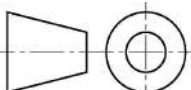
	<b>Part Number</b>				<b>Created By</b>		<b>Cross Sectional Area (mm<sup>2</sup>)</b>		<b>Nominal Dimension (mm)</b>		<b>Tolerance, ± (mm)</b>
	201208				Isaac Erskine		51		<b>Greater Than</b>	<b>Less Than or Equal to</b>	
	<b>Description</b>				<b>Date Drawn</b>		<b>Material</b>		0.00	1.50	0.40
	T Section				15/09/2020		EPDM		1.50	2.50	0.50
	<b>Revision</b>				<b>Approved By</b>		<b>Hardness (Shore A)</b>		2.50	4.00	0.70
	A	Date of Issue		Sheet Scale	Sheet Size	Sheet	Isaac Erskine		4.00	6.30	0.80
		01/03/2022		1:1	A3	1/1	Date of Approval		6.30	10.00	1.00
							01/03/2022		10.00	16.00	1.30
							<b>Projection</b>		16.00	25.00	1.60
							3rd Ang. 		25.00	40.00	2.00
						<b>Weight (g/m)</b>		40.00	63.00	2.50	
						64		63.00	100.00	3.20	
								100.00		3.20%	





	<b>Part Number</b>				<b>Created By</b>		<b>Cross Sectional Area (mm<sup>2</sup>)</b>		<b>Nominal Dimension (mm)</b>		<b>Tolerance, ± (mm)</b>
	200024				Isaac Erskine		220		<b>Greater Than</b>	<b>Less Than or Equal to</b>	
	<b>Description</b>				<b>Date Drawn</b>		<b>Material</b>		0.00	1.50	0.40
	T Section				15/09/2020		EPDM		1.50	2.50	0.50
	<b>Revision</b>				<b>Approved By</b>		<b>Hardness (Shore A)</b>		2.50	4.00	0.70
	A	01/03/2022		Isaac Erskine		70		4.00	6.30	0.80	
	<b>Date of Issue</b>		<b>Sheet Scale</b>		<b>Date of Approval</b>		<b>Colour</b>		6.30	10.00	1.00
	1:1		A3		01/03/2022		Black		10.00	16.00	1.30
	<b>Sheet Size</b>		<b>Sheet</b>		<b>Projection</b>		<b>Weight (g/m)</b>		16.00	25.00	1.60
	A3		1/1		3rd Agl. 		277		25.00	40.00	2.00
								40.00	63.00	2.50	
								63.00	100.00	3.20	
								100.00		3.20%	



	<b>Part Number</b>				<b>Created By</b>		<b>Cross Sectional Area (mm<sup>2</sup>)</b>		<b>Nominal Dimension (mm)</b>		<b>Tolerance, ± (mm)</b>
	203467				Isaac Erskine		24		<b>Greater Than</b>	<b>Less Than or Equal to</b>	
	<b>Description</b>				<b>Date Drawn</b>		<b>Material</b>		0.00	1.50	0.40
	T Section				22/09/2020		EPDM		1.50	2.50	0.50
	<b>Revision</b>				<b>Approved By</b>		<b>Hardness (Shore A)</b>		2.50	4.00	0.70
	A	<b>Date of Issue</b>		<b>Sheet Scale</b>	<b>Sheet Size</b>	<b>Sheet</b>	Isaac Erskine		4.00	6.30	0.80
		01/03/2022		1:1	A3	1/1	01/03/2022		6.30	10.00	1.00
	<b>Projection</b>				<b>Date of Approval</b>		<b>Colour</b>		10.00	16.00	1.30
	3rd Agl. 				01/03/2022		Black		16.00	25.00	1.60
					<b>Weight (g/m)</b>		30		25.00	40.00	2.00
								40.00	63.00	2.50	
								63.00	100.00	3.20	
								100.00		3.20%	