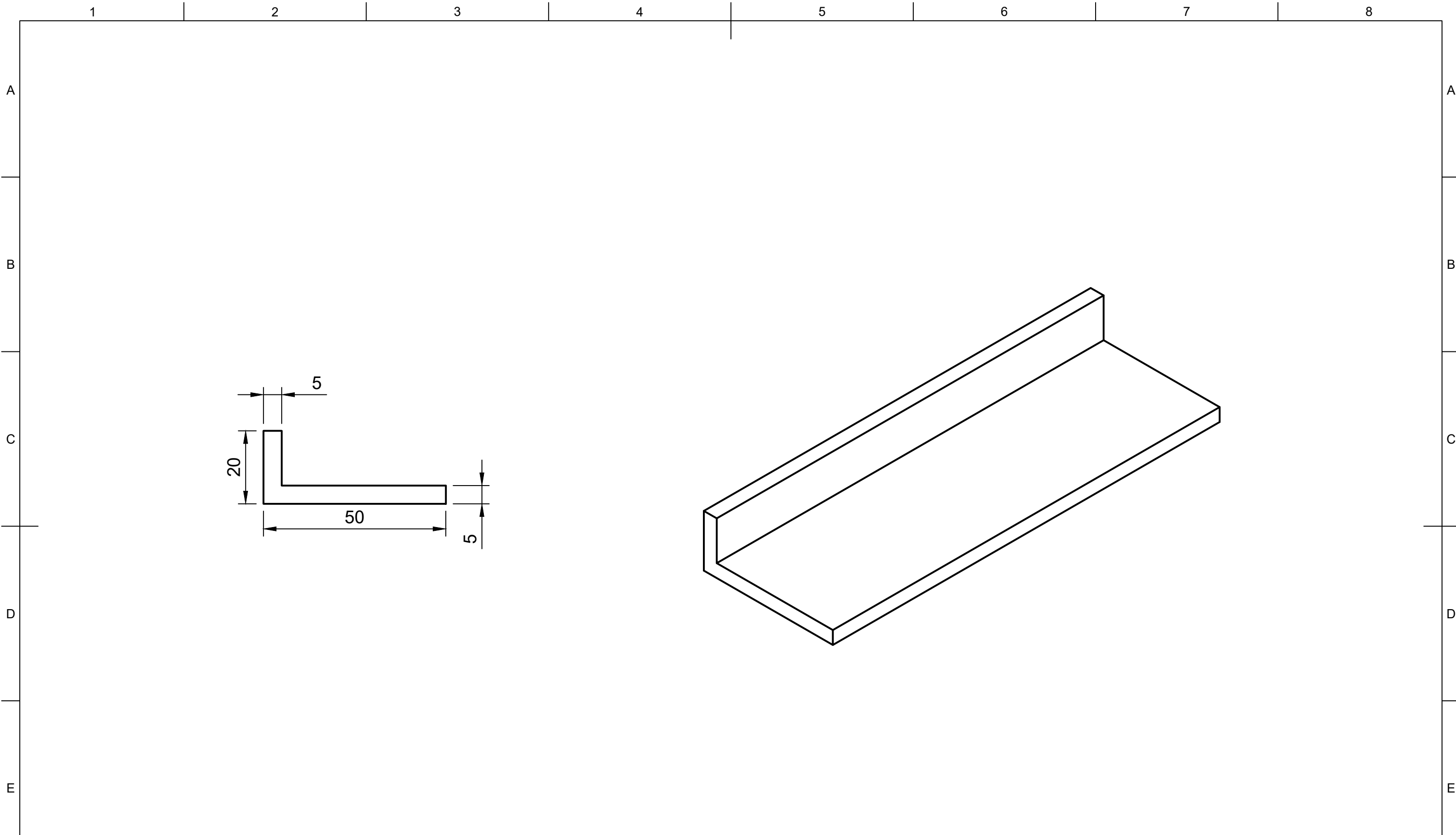
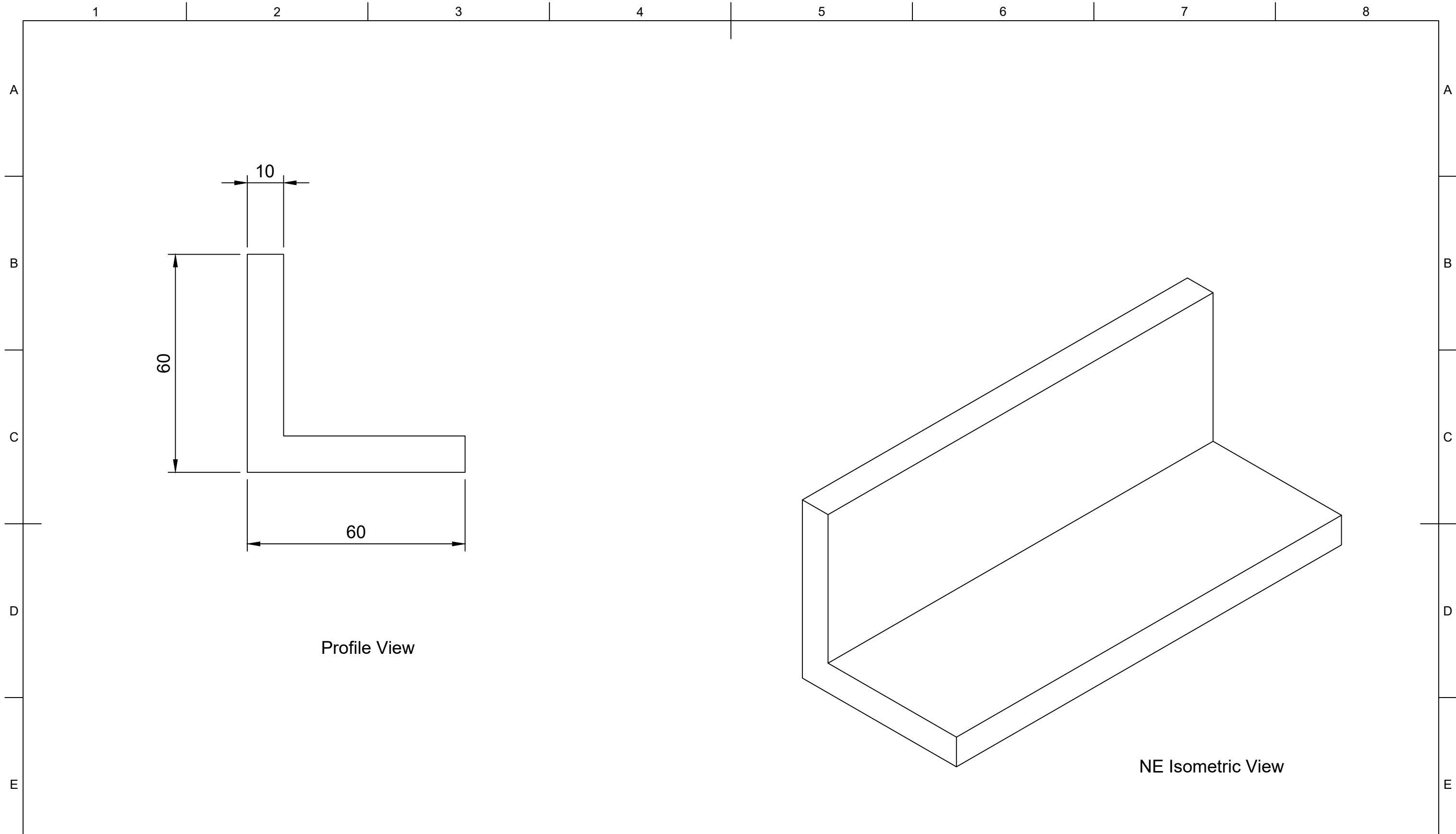




**Right Angles**


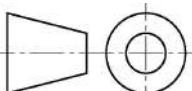


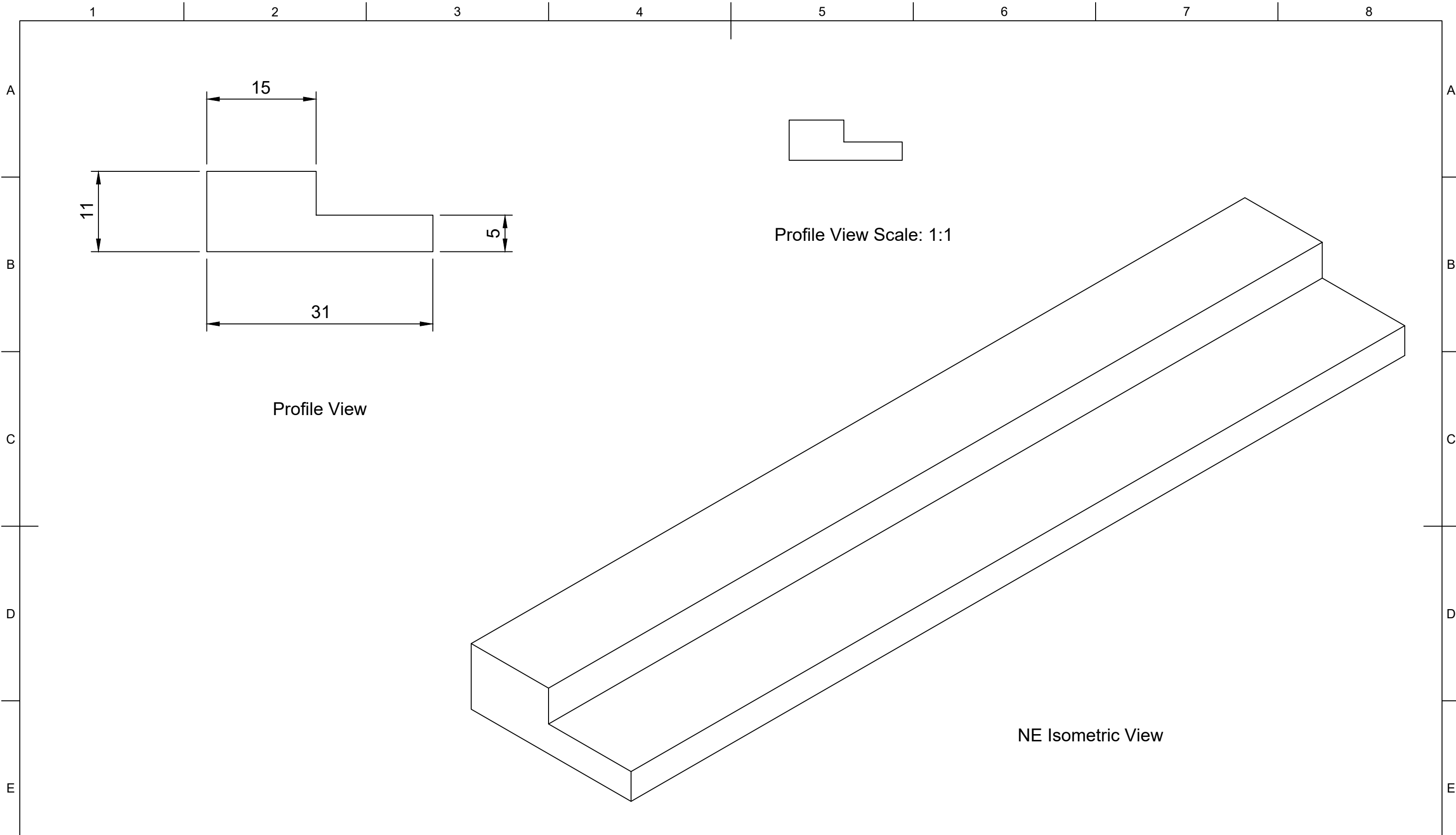
	<b>Part Number</b>				<b>Created By</b>		<b>Cross Sectional Area (mm<sup>2</sup>)</b>		<b>Nominal Dimension (mm)</b>		<b>Tolerance, ± (mm)</b>
	203418				Oliver Ryan		325		<b>Greater Than</b>	<b>Less Than or Equal to</b>	
	<b>Description</b>				<b>Date Drawn</b>		<b>Material</b>		0.00		0.40
					22/03/2023		EPDM		1.50		0.50
	Right Angle				<b>Approved By</b>		<b>Hardness (Shore A)</b>		2.50		0.70
					Oliver Ryan		70		4.00		0.80
					<b>Date of Issue</b>		<b>Colour</b>		6.30		1.00
	22/03/2023		Black		10.00		1.30				
	16.00		25.00		16.00		1.60				
	<b>Revision</b>		<b>Sheet Scale</b>		<b>Sheet Size</b>		<b>Sheet</b>		<b>Projection</b>		<b>Estimated Weight (g/m)</b>
A		1:1		A3		1/1		3rd Agl.		25.00	
ALL DIMENSIONS IN MM		1:1		A3		1/1		3rd Agl.		40.00	
DO NOT SCALE		1:1		A3		1/1		3rd Agl.		63.00	
DO NOT SCALE		1:1		A3		1/1		3rd Agl.		100.00	
DO NOT SCALE		1:1		A3		1/1		3rd Agl.		3.20%	


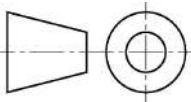


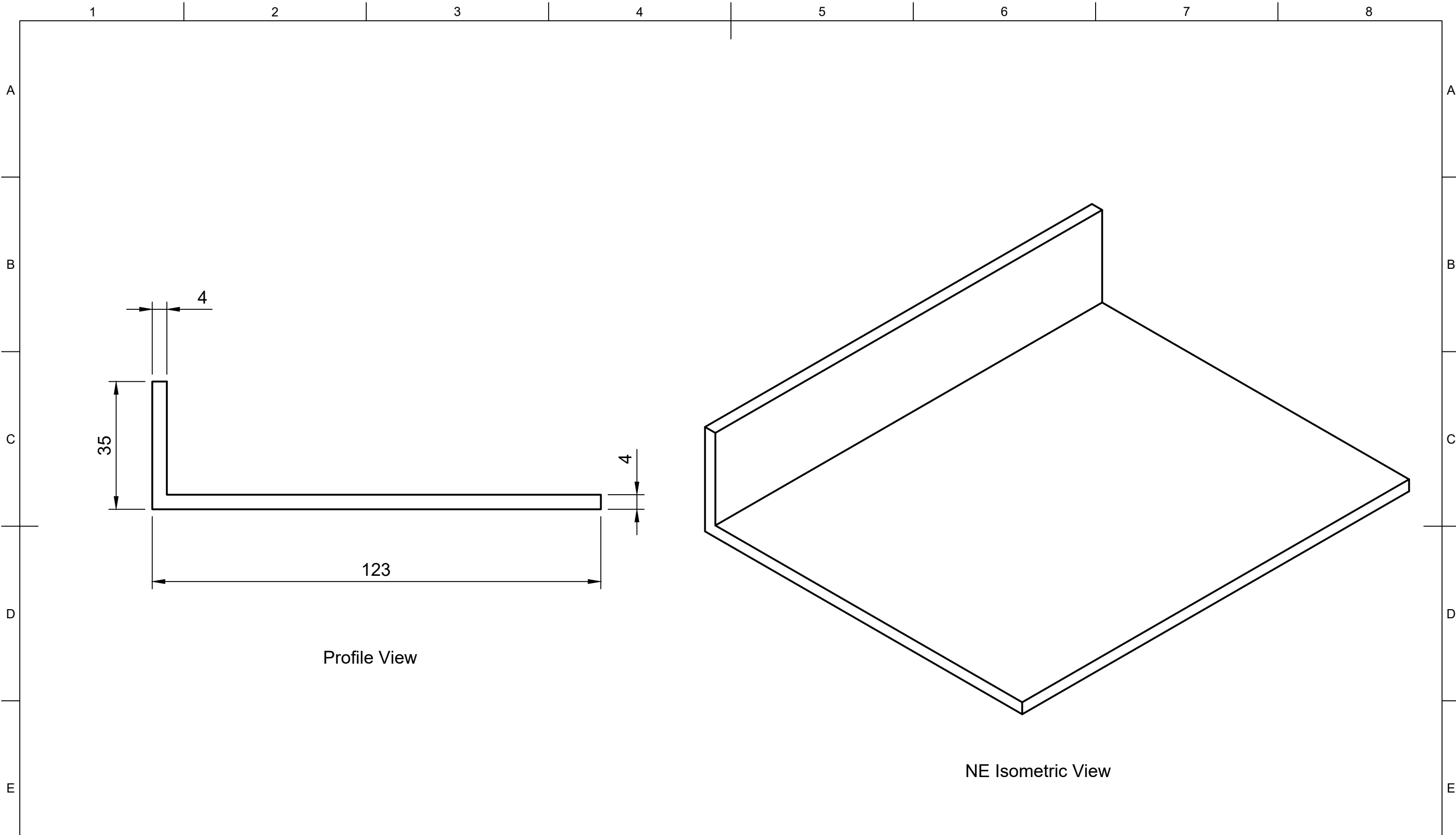
Profile View

NE Isometric View

	<b>Part Number</b>				<b>Created By</b>		<b>Cross Sectional Area (mm<sup>2</sup>)</b>		<b>Nominal Dimension (mm)</b>		<b>Tolerance, ± (mm)</b>		
	200111				David Stirling		1100		<b>Greater Than</b>	<b>Less Than or Equal to</b>			
	<b>Description</b>				<b>Date Drawn</b>		<b>Material</b>		0.00	1.50	0.40		
	Right Angle Section				03/04/2020		EPDM		1.50	2.50	0.50		
	<b>Revision</b>				<b>Approved By</b>		<b>Hardness (Shore A)</b>		2.50	4.00	0.70		
	A	Date of Issue		Sheet Scale		Sheet Size		Sheet		Date of Approval		Colour	
		13/01/2022		1:1		A3		1/1		3rd Agl.		Black	
												Weight (kg/m)	
										1.364			
										25.00	40.00	2.00	
									40.00	63.00	2.50		
									63.00	100.00	3.20		
									100.00		3.20%		


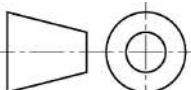


	<b>Part Number</b>				<b>Created By</b>		<b>Cross Sectional Area (mm<sup>2</sup>)</b>		<b>Nominal Dimension (mm)</b>		<b>Tolerance, ± (mm)</b>
	200210				David Stirling		245		<b>Greater Than</b>	<b>Less Than or Equal to</b>	
					Date Drawn		Material		0.00	1.50	0.40
					11/04/2020		EPDM		1.50	2.50	0.50
	<b>Description</b>				<b>Approved By</b>		<b>Hardness (Shore A)</b>		2.50	4.00	0.70
	Bespoke Section						70		4.00	6.30	0.80
					<b>Date of Approval</b>		<b>Colour</b>		6.30	10.00	1.00
							Black		10.00	16.00	1.30
					<b>Projection</b>		<b>Weight (g/m)</b>		16.00	25.00	1.60
	<b>Revision</b>	<b>Date of Issue</b>	<b>Sheet Scale</b>	<b>Sheet Size</b>	<b>Sheet</b>	3rd Agl. 	310		25.00	40.00	2.00
A	13/01/2022	2:1	A3	1/1				40.00	63.00	2.50	
								63.00	100.00	3.20	
								100.00		3.20%	



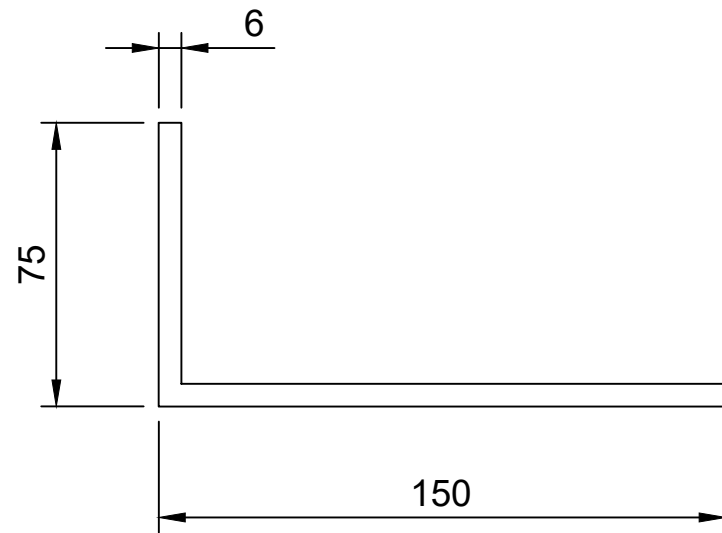
Profile View

NE Isometric View

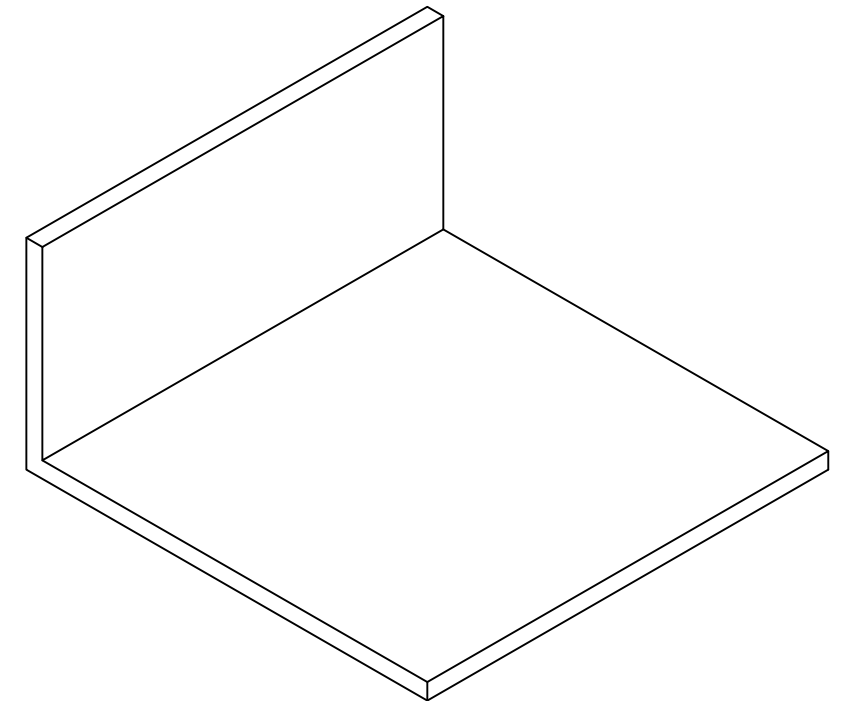
	<b>Part Number</b>				<b>Created By</b>		<b>Cross Sectional Area (mm<sup>2</sup>)</b>		<b>Nominal Dimension (mm)</b>		<b>Tolerance, ± (mm)</b>
	200252				David Stirling		616		<b>Greater Than</b>	<b>Less Than or Equal to</b>	
	<b>Description</b>				<b>Date Drawn</b>		<b>Material</b>		0.00	1.50	0.40
	Angle Section				12/01/2022		Neoprene		1.50	2.50	0.50
	<b>Revision</b>				<b>Approved By</b>		<b>Hardness (Shore A)</b>		2.50	4.00	0.70
	A	Date of Issue		Sheet Scale	Sheet Size	Sheet	70		4.00	6.30	0.80
		12/01/2022		1:1	A3	1/1	Date of Approval		6.30	10.00	1.00
							Colour		10.00	16.00	1.30
							Black		16.00	25.00	1.60
							Weight (g/m)		25.00	40.00	2.00
						3rd Agl. 		40.00	63.00	2.50	
						936		63.00	100.00	3.20	
								100.00		3.20%	




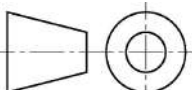
Profile View Scale: 1:1

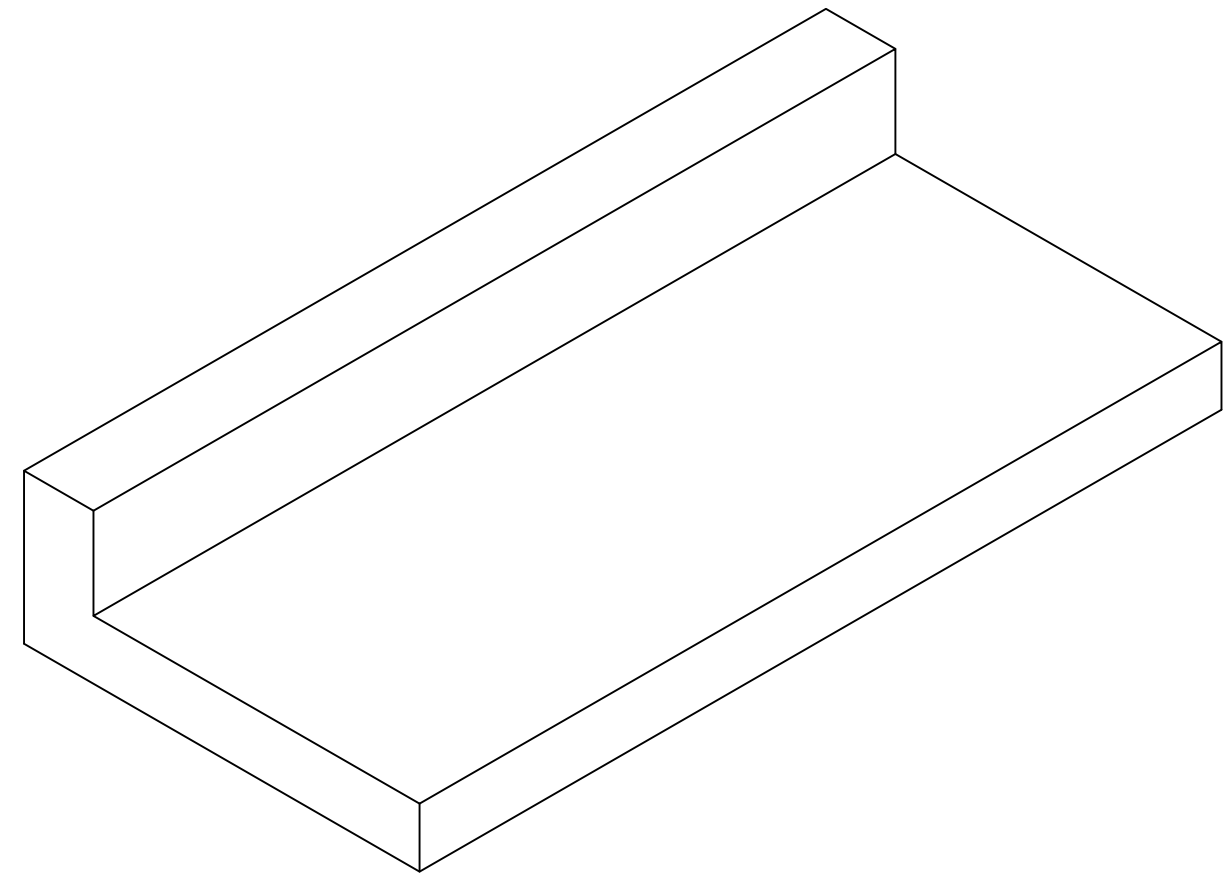
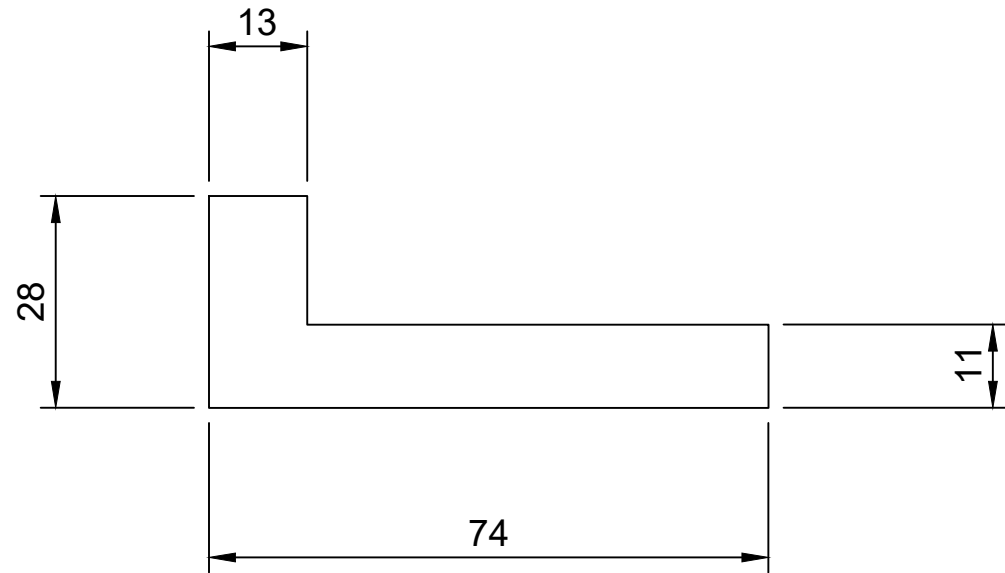



Profile View

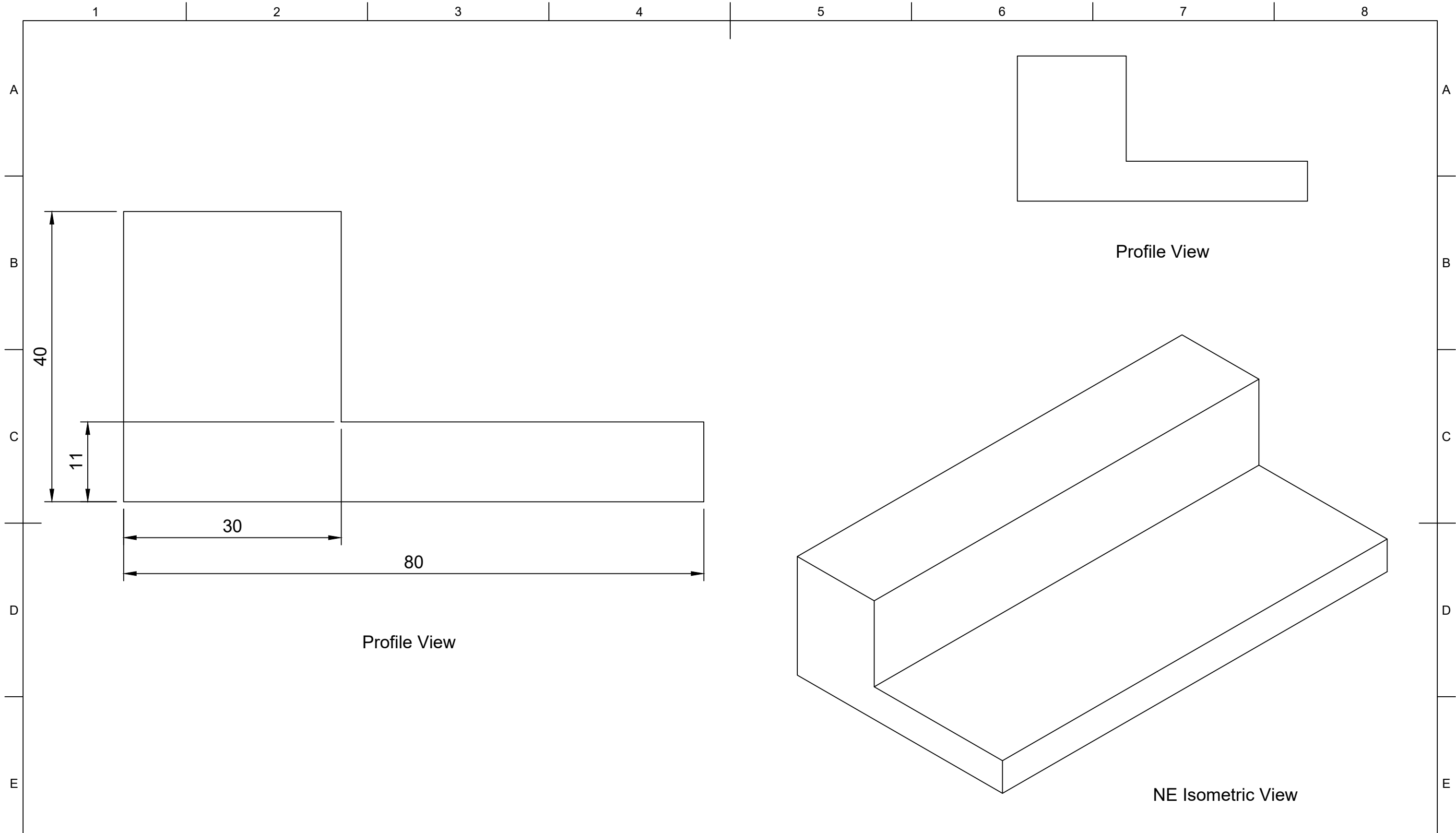


NE Isometric View

	Part Number				Created By		Cross Sectional Area (mm <sup>2</sup> )		Nominal Dimension (mm)		Tolerance, ± (mm)
	200259				David Stirling		1314		Greater Than	Less Than or Equal to	
	Description				Date Drawn		Material		0.00		0.40
					02/04/2020		EPDM		1.50		0.50
	Right Angle Section				Approved By		Hardness (Shore A)		2.50		0.70
					Date of Approval		70		4.00		0.80
	Revision				Projection		Colour		6.30		1.00
					3rd Agl. 		Black		10.00		1.30
	A		Date of Issue		Sheet Scale		Weight (kg/m)		16.00		1.60
	12/01/2022		1:2		1.656		25.00		40.00		2.00
		Sheet Size		Sheet		40.00		63.00		2.50	
		A3		1/1		63.00		100.00		3.20	
						100.00				3.20%	

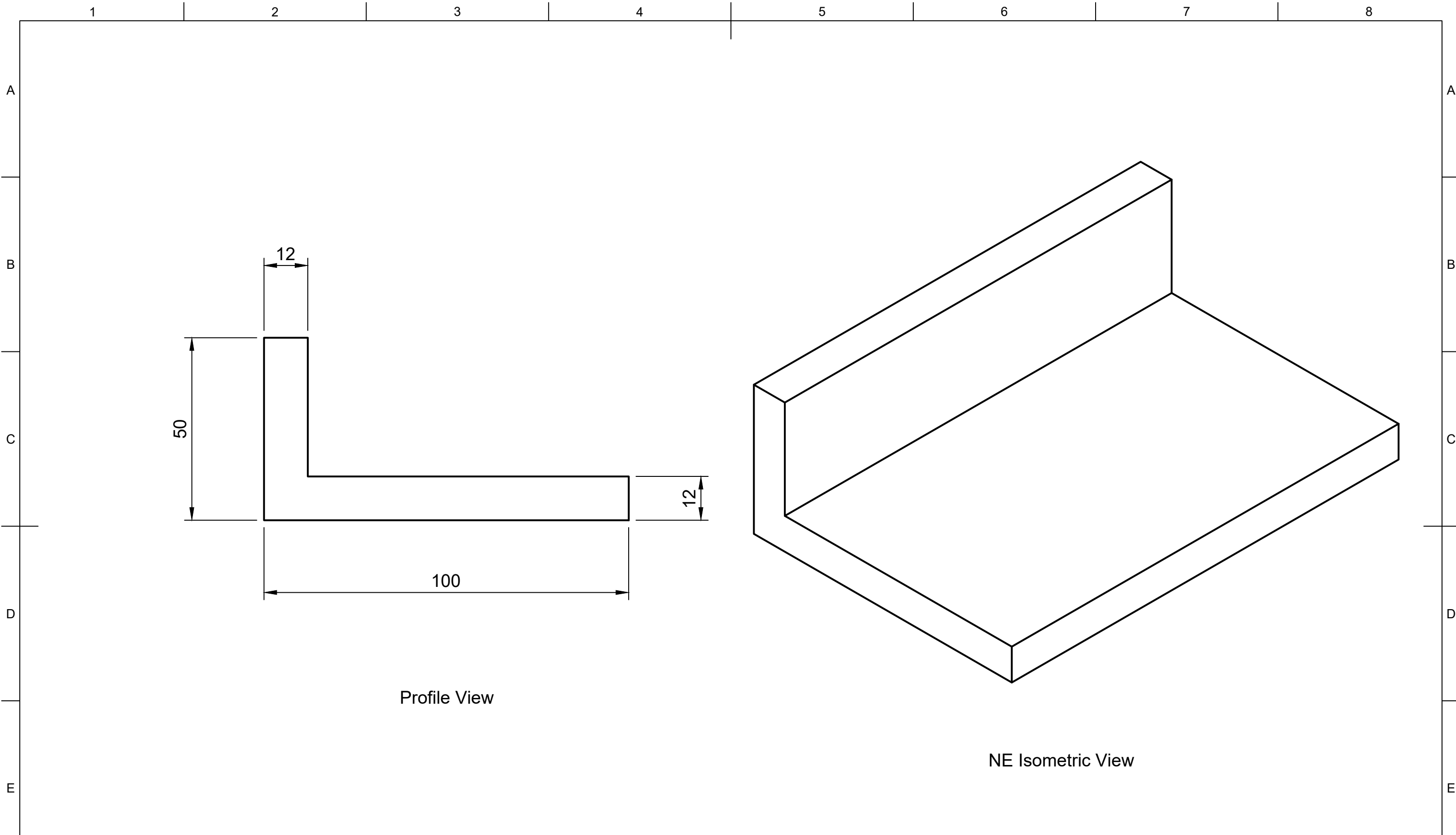


	<b>Part Number</b>				<b>Created By</b>		<b>Cross Sectional Area (mm<sup>2</sup>)</b>		<b>Nominal Dimension (mm)</b>		<b>Tolerance, ± (mm)</b>			
	201613				David Stirling		1035		<b>Greater Than</b>	<b>Less Than or Equal to</b>				
	<b>Description</b>				<b>Date Drawn</b>		<b>Material</b>		0.00	1.50	0.40			
	Right Angle Section				03/04/2020		EPDM		1.50	2.50	0.50			
	<b>Revision</b>				<b>Approved By</b>		<b>Hardness (Shore A)</b>		2.50	4.00	0.70			
	A	Date of Issue		Sheet Scale		Sheet Size		Sheet		Date of Approval		Colour		
		13/01/2022		1:1		A3		1/1		70		Black		
										Date of Approval		Colour		
										3rd Agl.		Weight (kg/m)		
										3rd Agl.		1.300		
									25.00		40.00		2.00	
									40.00		63.00		2.50	
									63.00		100.00		3.20	
									100.00				3.20%	



<b>WALKERRUBBER</b> LTD	<b>Part Number</b>				<b>Created By</b>		<b>Cross Sectional Area (mm<sup>2</sup>)</b>		<b>Nominal Dimension (mm)</b>		<b>Tolerance, ± (mm)</b>
	201663				David Stirling		1750		<b>Greater Than</b>	<b>Less Than or Equal to</b>	
	<b>Description</b>				<b>Date Drawn</b>		<b>Material</b>		0.00	1.50	0.40
					29/06/2020		EPDM		1.50	2.50	0.50
	<b>Right Angle</b>				<b>Approved By</b>		<b>Hardness (Shore A)</b>		2.50	4.00	0.70
					<b>Date of Approval</b>		70		4.00	6.30	0.80
							<b>Colour</b>		6.30	10.00	1.00
					Black		10.00	16.00	1.30		
	<b>Revision</b>	<b>Date of Issue</b>	<b>Sheet Scale</b>	<b>Sheet Size</b>	<b>Sheet</b>	<b>Projection</b>	<b>Weight (kg/m)</b>		16.00	25.00	1.60
	A	26/01/2022	1:1	A3	1/1	3rd Agl.	2.205		25.00	40.00	2.00
								40.00	63.00	2.50	
								63.00	100.00	3.20	
								100.00		3.20%	



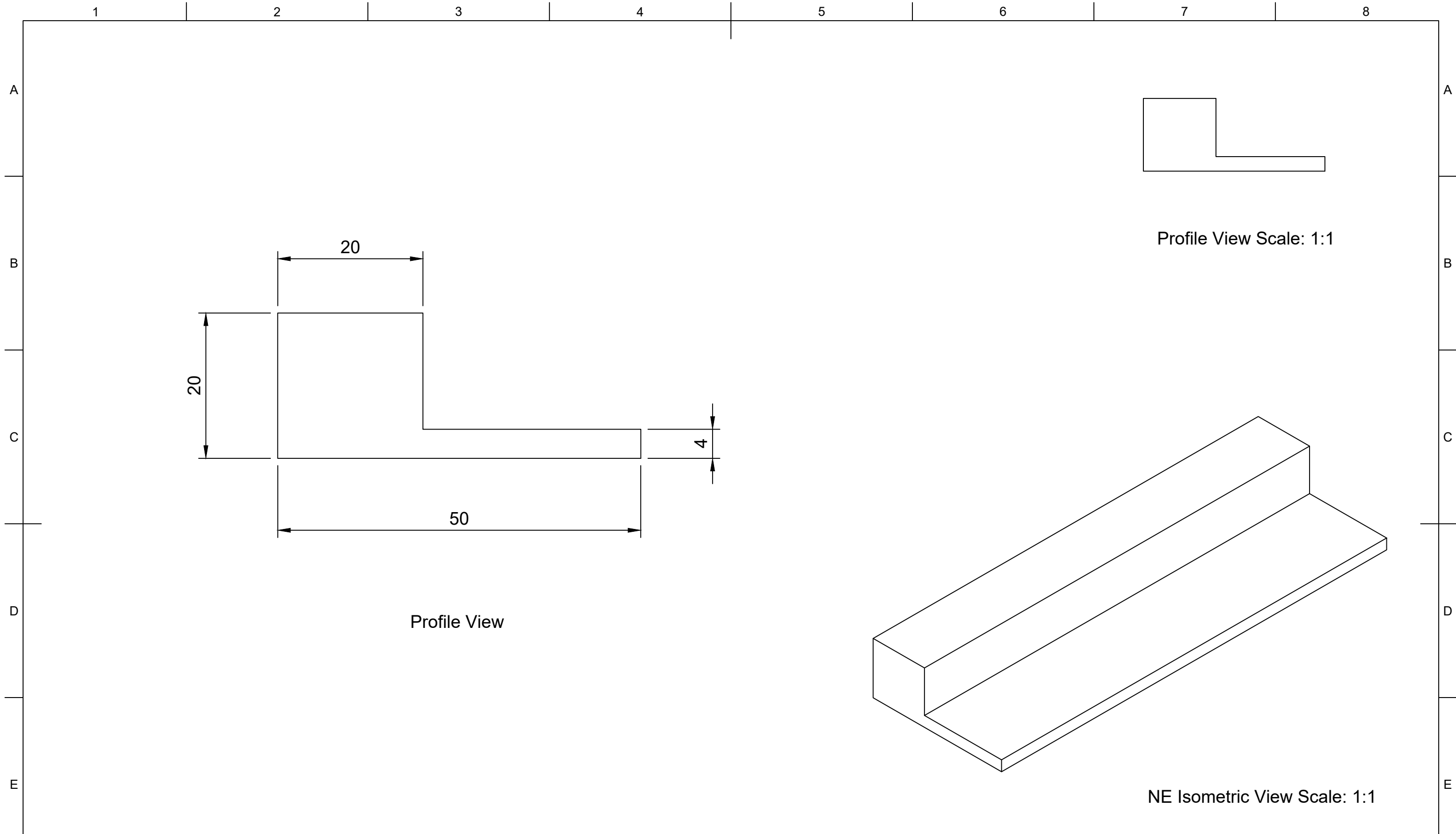



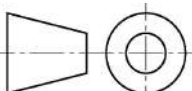
Profile View

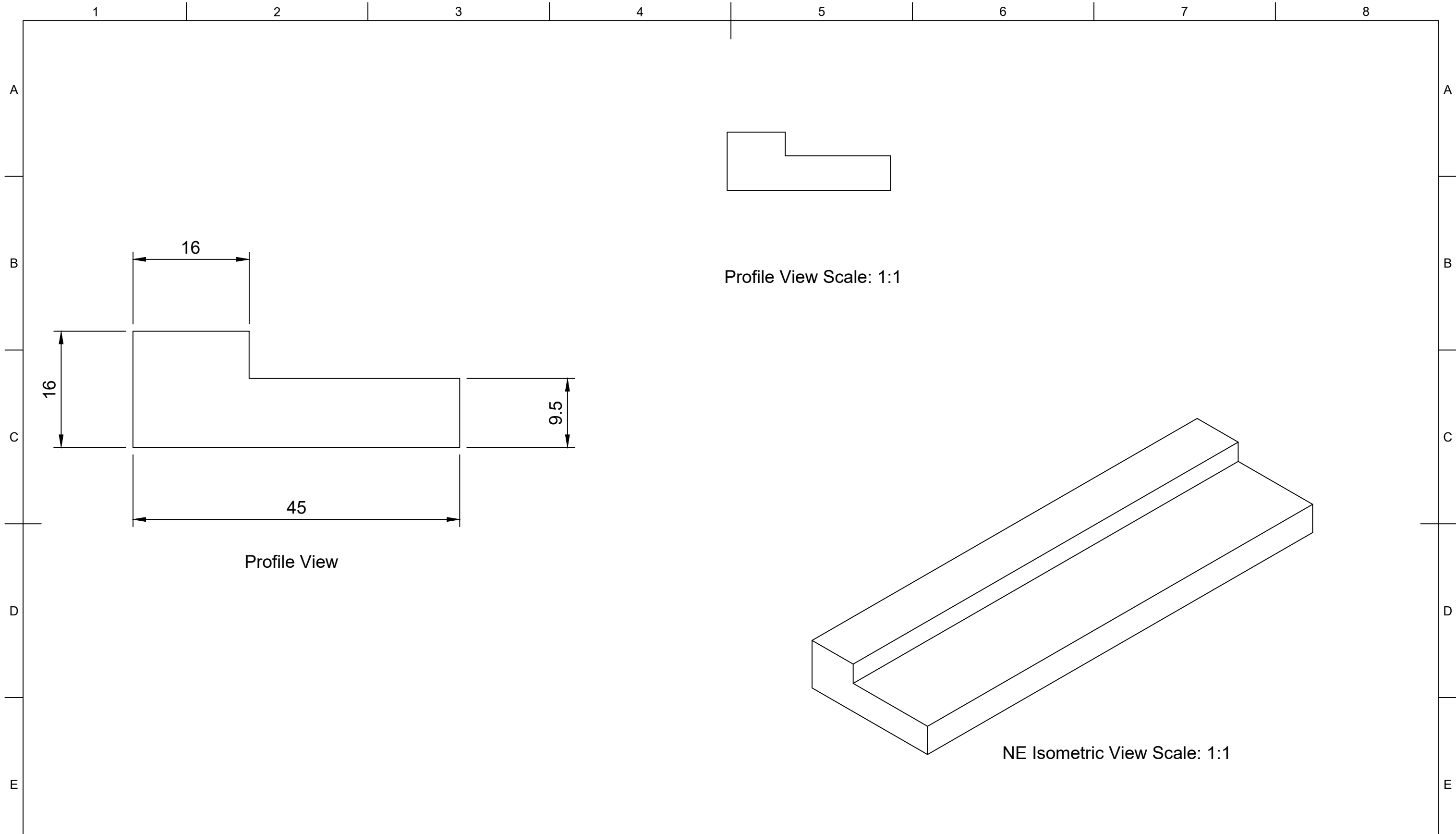
NE Isometric View


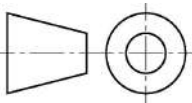


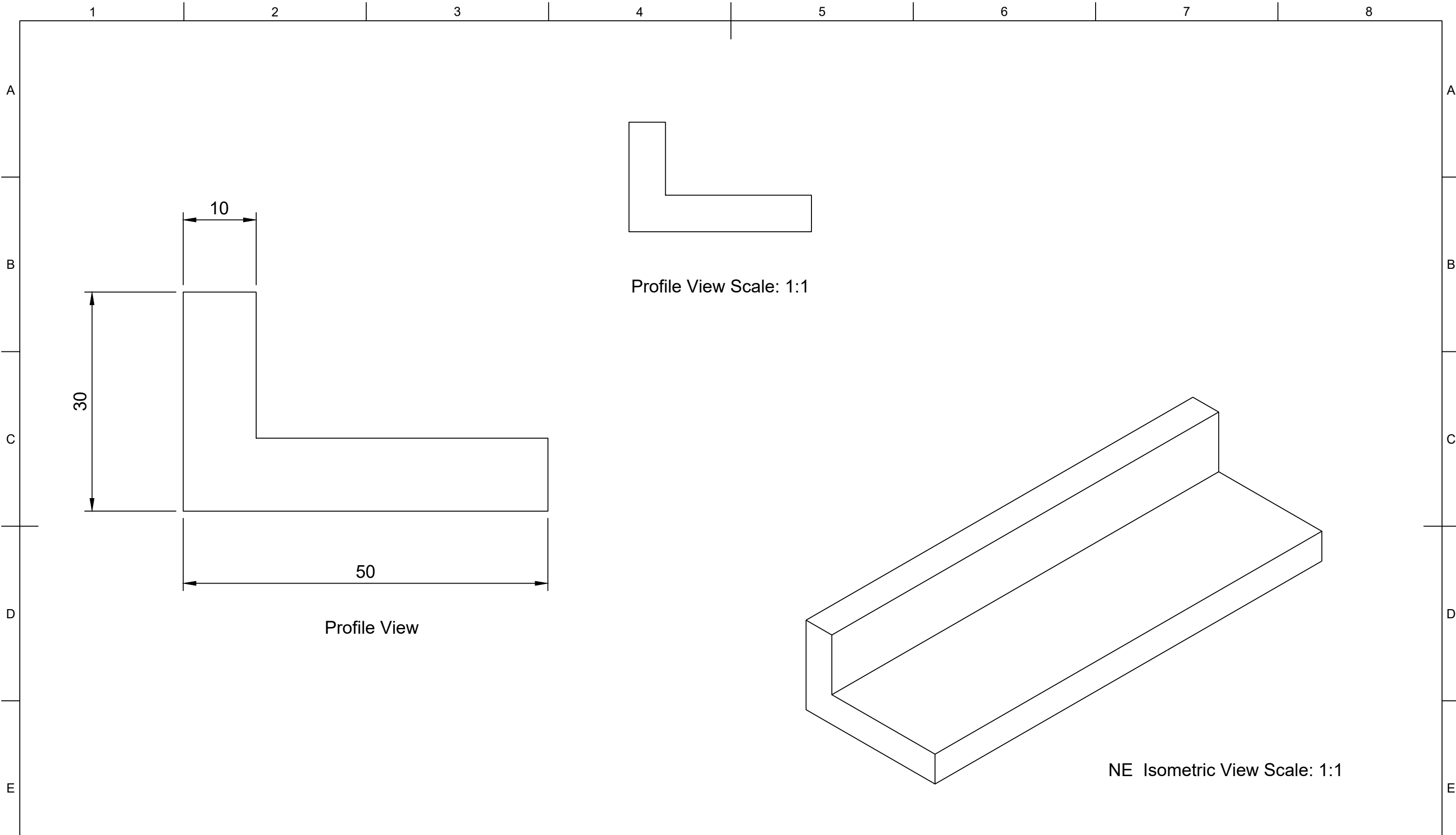
	<b>Part Number</b>				<b>Created By</b>		<b>Cross Sectional Area (mm<sup>2</sup>)</b>		<b>Nominal Dimension (mm)</b>		<b>Tolerance, ± (mm)</b>
	201672				David Stirling		1656		<b>Greater Than</b>	<b>Less Than or Equal to</b>	
	<b>Description</b>				<b>Date Drawn</b>		<b>Material</b>		0.00	1.50	0.40
					12/01/2022		Neoprene		1.50	2.50	0.50
	Angle Section				<b>Approved By</b>		<b>Hardness (Shore A)</b>		2.50	4.00	0.70
					<b>Date of Approval</b>		70		4.00	6.30	0.80
	<b>Projection</b>		<b>Colour</b>				6.30	10.00	1.00		
			3rd Agl.		Black		10.00	16.00	1.30		
	<b>Weight (kg/m)</b>				16.00	25.00	1.60				
	<b>Revision</b>	<b>Date of Issue</b>	<b>Sheet Scale</b>	<b>Sheet Size</b>	<b>Sheet</b>	<b>Weight (kg/m)</b>		25.00	40.00	2.00	
A	12/01/2022	1:1	A3	1/1	40.00			63.00	2.50		
							63.00	100.00	3.20		
							100.00		3.20%		



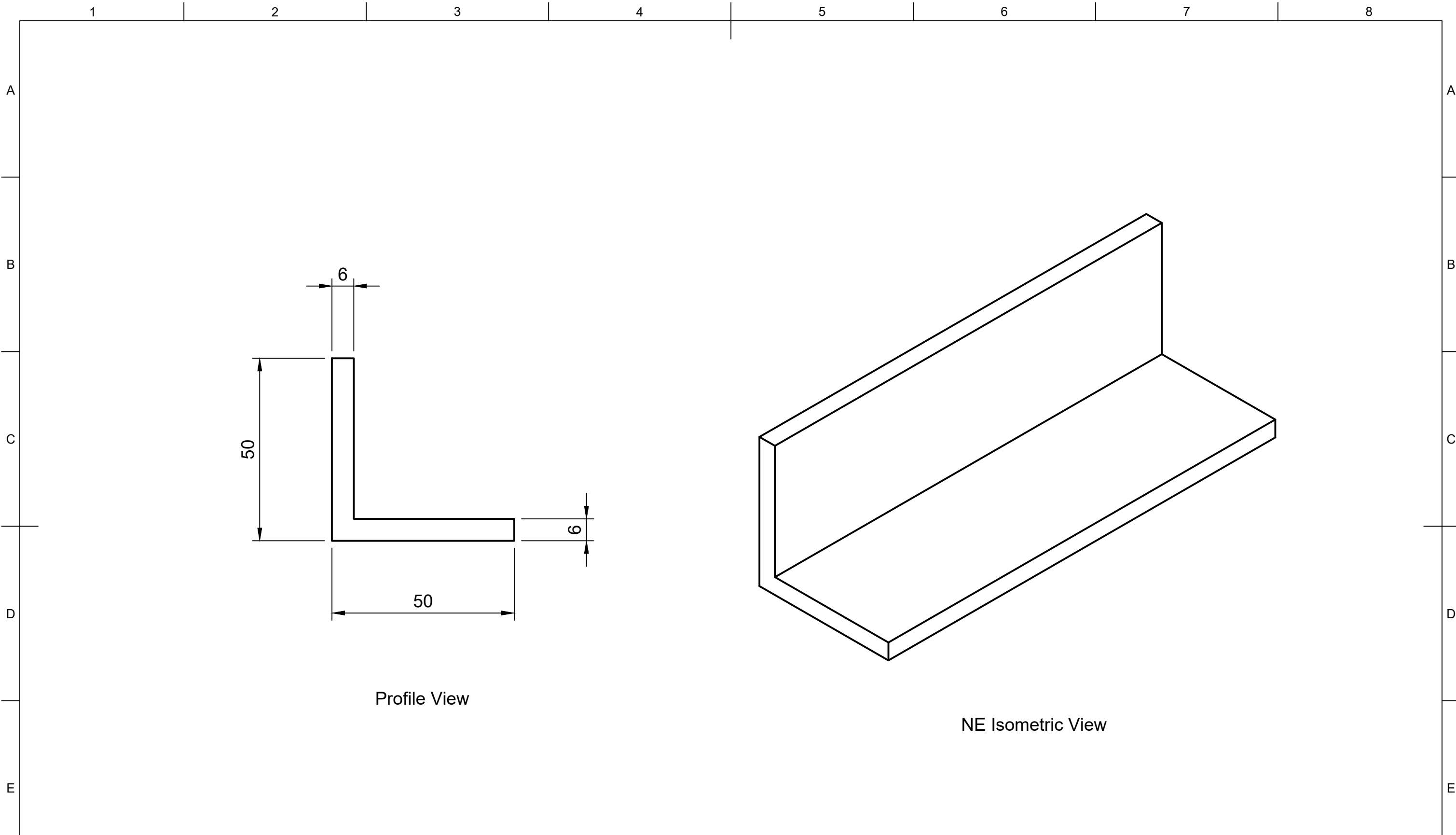
	<b>Part Number</b>				<b>Created By</b>		<b>Cross Sectional Area (mm<sup>2</sup>)</b>		<b>Nominal Dimension (mm)</b>		<b>Tolerance, ± (mm)</b>
	201895				David Stirling		520		<b>Greater Than</b>	<b>Less Than or Equal to</b>	
	<b>Description</b>				<b>Date Drawn</b>		<b>Material</b>		0.00	1.50	0.40
					11/04/2020		Nitrile		1.50	2.50	0.50
	Bespoke Section				<b>Approved By</b>		<b>Hardness (Shore A)</b>		2.50	4.00	0.70
					<b>Date of Approval</b>		70		4.00	6.30	0.80
							Black		6.30	10.00	1.00
	<b>Revision</b>	<b>Date of Issue</b>	<b>Sheet Scale</b>	<b>Sheet Size</b>	<b>Sheet</b>	<b>Projection</b>	<b>Weight (g/m)</b>		10.00	16.00	1.30
	A	13/01/2022	2:1	A3	1/1	3rd Agl. 	629		16.00	25.00	1.60
									25.00	40.00	2.00
								40.00	63.00	2.50	
								63.00	100.00	3.20	
								100.00	—	3.20%	



	<b>Part Number</b>				<b>Created By</b>		<b>Cross Sectional Area (mm<sup>2</sup>)</b>		<b>Nominal Dimension (mm)</b>		<b>Tolerance, ± (mm)</b>
	203910				David Stirling		532		<b>Greater Than</b>	<b>Less Than or Equal to</b>	0.40
					Date Drawn		Material		0.00	1.50	
	Right Angle Section				03/04/2020		EPDM		1.50	2.50	0.50
					<b>Approved By</b>		<b>Hardness (Shore A)</b>		2.50	4.00	0.70
					Date of Approval		70		4.00	6.30	0.80
					Black		6.30	10.00	1.00		
	Revision		Date of Issue		Projection		Weight (g/m)		10.00	16.00	1.30
	A	13/01/2022	2:1	A3	1/1	3rd Agl.	670		16.00	25.00	1.60
									25.00	40.00	2.00
								40.00	63.00	2.50	
								63.00	100.00	3.20	
								100.00		3.20%	


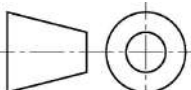


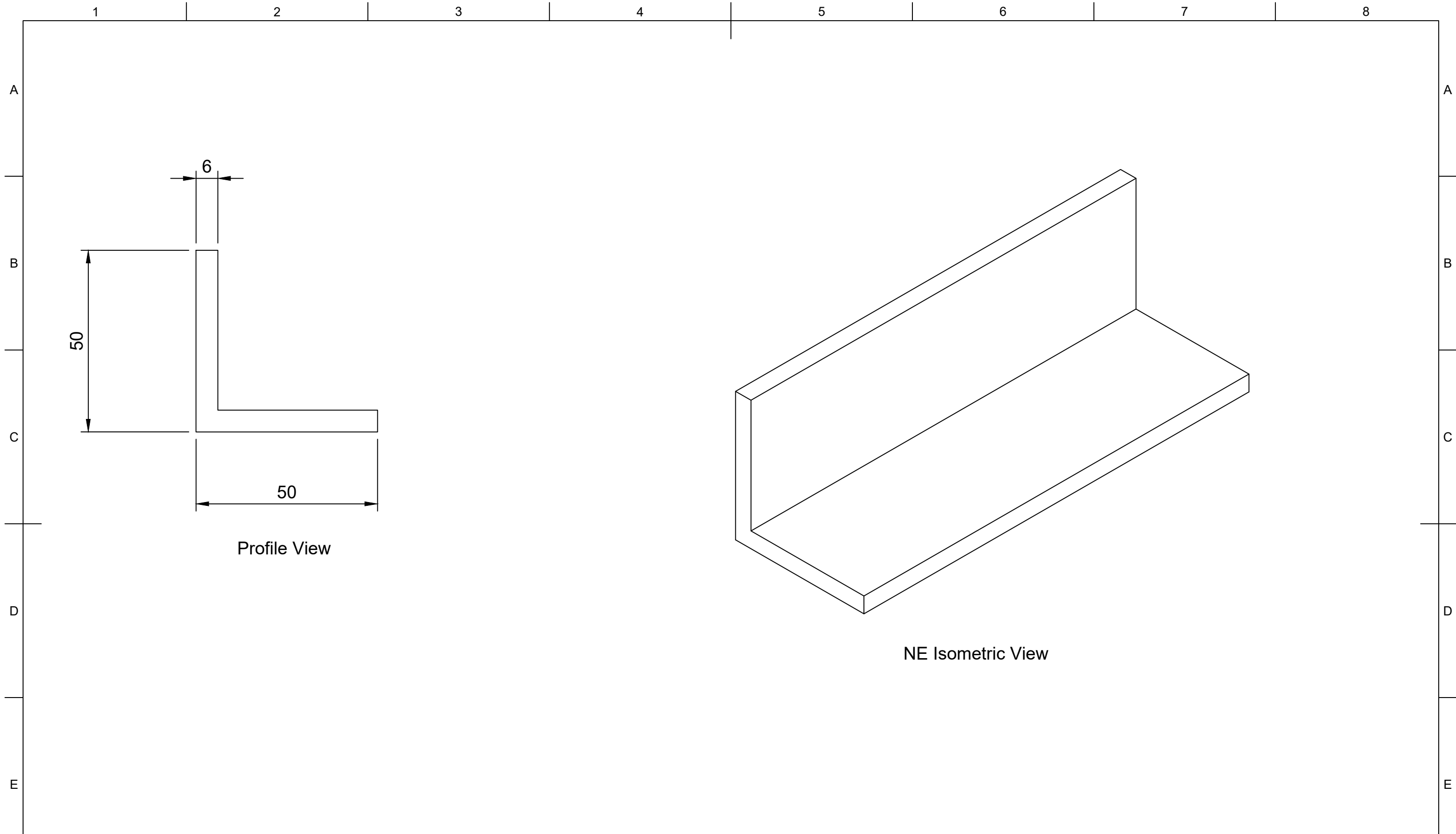
Part Number <b>204347</b>					Created By David Stirling		Cross Sectional Area (mm <sup>2</sup> ) 700		Nominal Dimension (mm)		Tolerance, ± (mm)
					Date Drawn 03/04/2020		Material EPDM		Greater Than	Less Than or Equal to	
Description <b>Right Angle Section</b>					Approved By		Hardness (Shore A) 70		0.00	1.50	0.40
					Date of Approval		Colour Black		1.50	2.50	0.50
Revision A	Date of Issue 13/01/2022	Sheet Scale 2:1	Sheet Size A3	Sheet 1/1	Projection 3rd Agl.	Weight (g/m) 882		2.50	4.00	0.70	
								4.00	6.30	0.80	
								6.30	10.00	1.00	
								10.00	16.00	1.30	
								16.00	25.00	1.60	
								25.00	40.00	2.00	
								40.00	63.00	2.50	
								63.00	100.00	3.20	
								100.00		3.20%	



Profile View


NE Isometric View

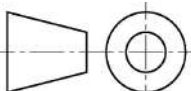
	<b>Part Number</b>				<b>Created By</b>		<b>Cross Sectional Area (mm<sup>2</sup>)</b>		<b>Nominal Dimension (mm)</b>		<b>Tolerance, ± (mm)</b>	
	204476				David Stirling		564		<b>Greater Than</b>	<b>Less Than or Equal to</b>		
	<b>Description</b>				<b>Date Drawn</b>		<b>Material</b>		0.00	1.50	0.40	
					13/01/2022		Neoprene		1.50	2.50	0.50	
	Right Angle Section				<b>Approved By</b>		<b>Hardness (Shore A)</b>		2.50	4.00	0.70	
							70		4.00	6.30	0.80	
							<b>Date of Approval</b>		<b>Colour</b>		6.30	10.00
							Black		10.00	16.00	1.30	
							<b>Projection</b>		<b>Weight (g/m)</b>		16.00	25.00
	<b>Revision</b>		<b>Date of Issue</b>		<b>Sheet Scale</b>		<b>Sheet Size</b>		<b>Sheet</b>			
A		13/01/2022		1:1		A3		1/1		25.00		
										40.00	63.00	2.50
										63.00	100.00	3.20
										100.00		3.20%

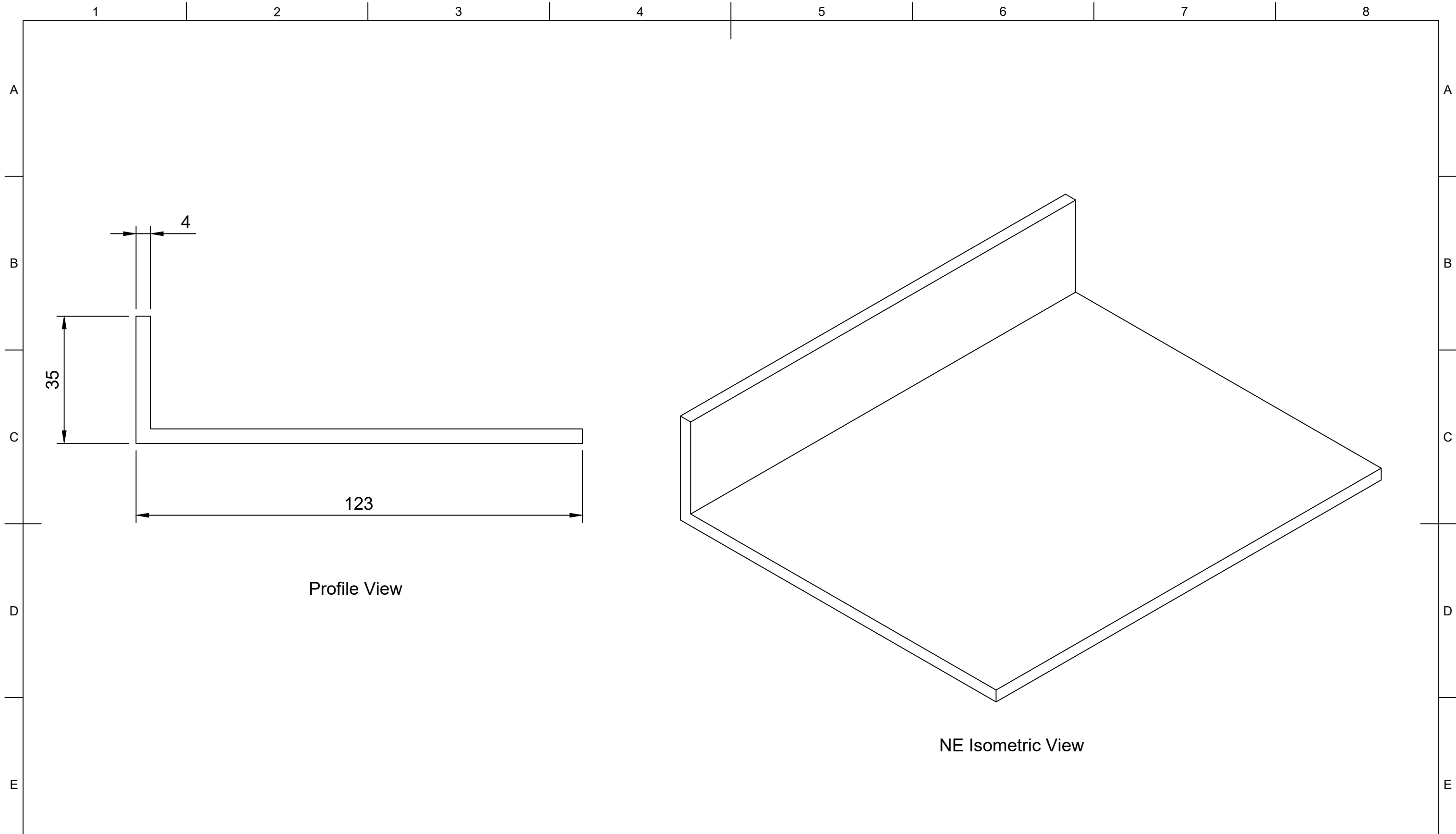


Profile View

NE Isometric View


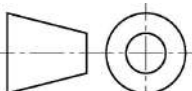
	<b>Part Number</b>				<b>Created By</b>		<b>Cross Sectional Area (mm<sup>2</sup>)</b>		<b>Nominal Dimension (mm)</b>		<b>Tolerance, ± (mm)</b>
	205045				David Stirling		564		<b>Greater Than</b>	<b>Less Than or Equal to</b>	
	<b>Description</b>				<b>Date Drawn</b>		<b>Material</b>		0.00		0.40
					03/04/2020		EPDM		1.50		0.50
	Right Angle Section				<b>Approved By</b>		<b>Hardness (Shore A)</b>		2.50		0.70
					Date of Approval		70		4.00		0.80
	Revision				3rd Agl.		Weight (g/m)		6.30		1.00
									10.00		1.30
	A		13/01/2022		16.00		25.00		1.60		
	1:1		A3		700		25.00		40.00		2.00
1/1		Projection		3rd Agl.		700		40.00		2.50	
		Sheet Scale		Sheet Size		Sheet		63.00		3.20	
		1:1		A3		1/1		100.00		3.20%	

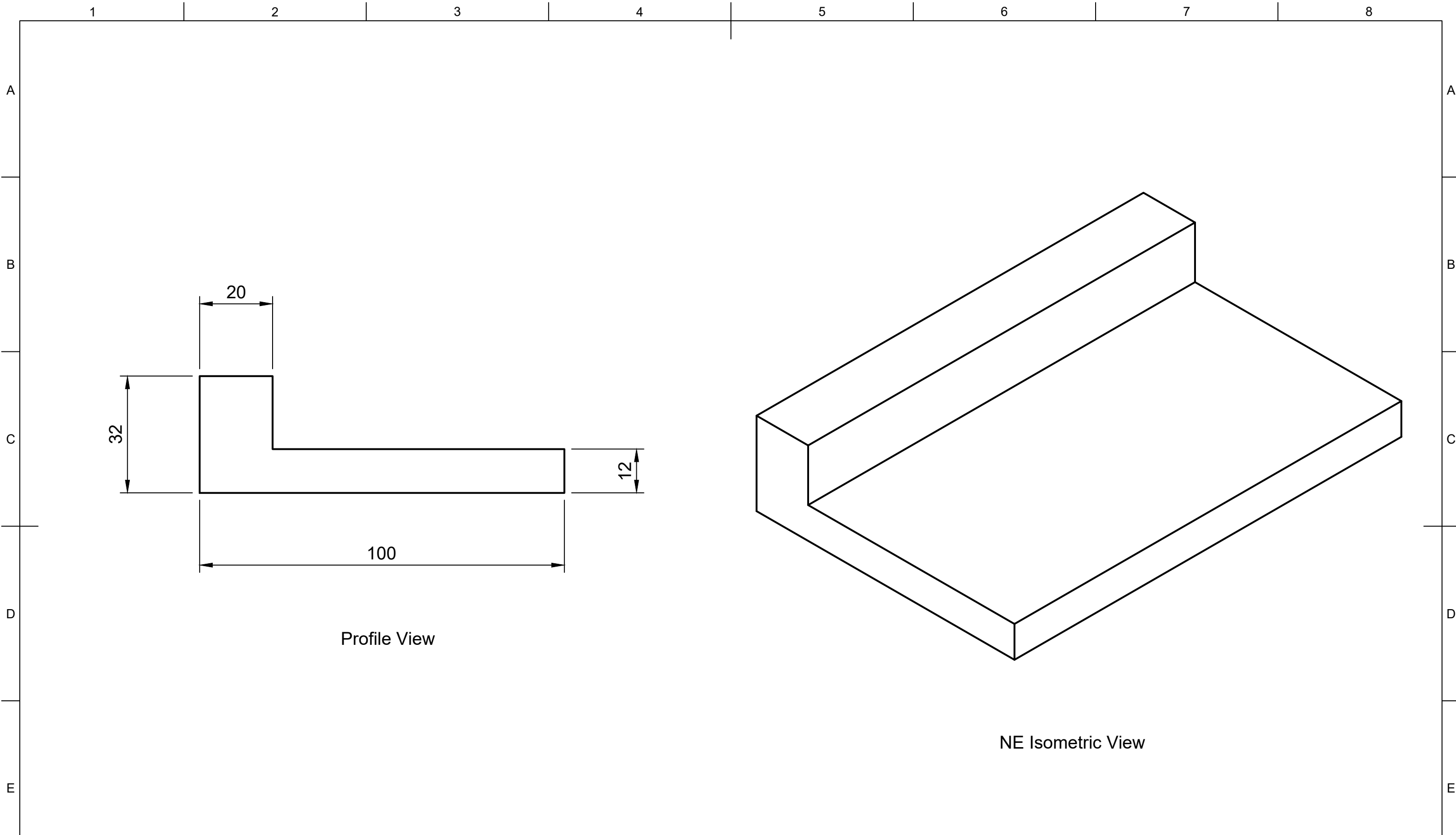




Profile View


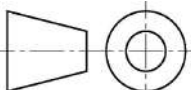
NE Isometric View

	<b>Part Number</b>				<b>Created By</b>		<b>Cross Sectional Area (mm<sup>2</sup>)</b>		<b>Nominal Dimension (mm)</b>		<b>Tolerance, ± (mm)</b>		
	205373				David Stirling		616		<b>Greater Than</b>	<b>Less Than or Equal to</b>			
	<b>Description</b>				<b>Date Drawn</b>		<b>Material</b>		0.00	1.50	0.40		
									1.50	2.50	0.50		
	Angle Section				<b>Approved By</b>		<b>Hardness (Shore A)</b>		2.50	4.00	0.70		
									4.00	6.30	0.80		
									6.30	10.00	1.00		
	<b>Revision</b>				<b>Date of Issue</b>		<b>Date of Approval</b>		10.00	16.00	1.30		
									16.00	25.00	1.60		
	A	12/01/2022	1:1	A3	1/1	<b>Projection</b> 3rd Agl. 	<b>Colour</b>		25.00	40.00	2.00		
<b>Sheet Scale</b>				<b>Sheet Size</b>					<b>Weight (g/m)</b>		40.00	63.00	2.50
1:1				A3					780		63.00	100.00	3.20
1:1				A3					780		100.00		3.20%
1:1				A3					780				

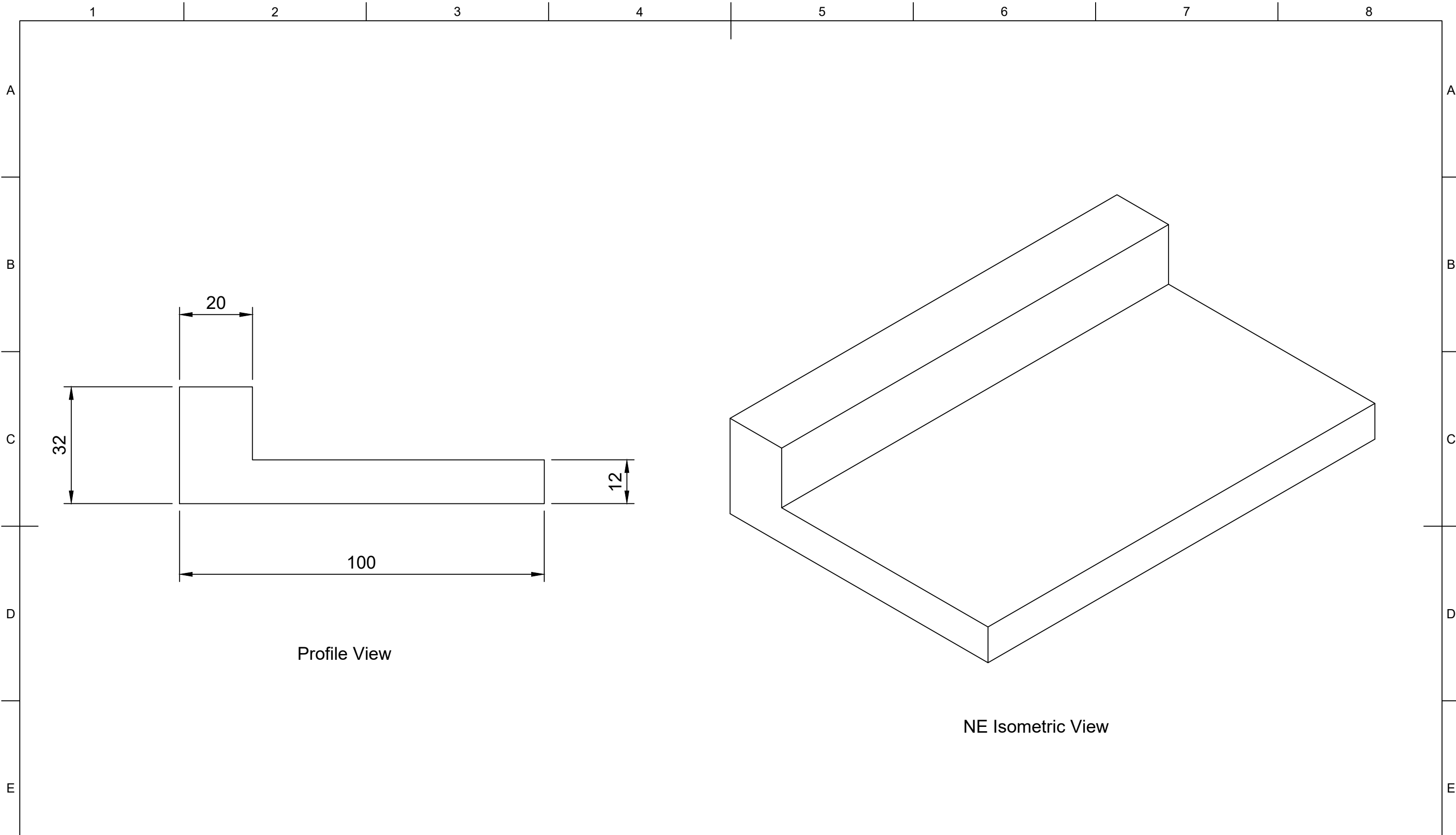


Profile View

NE Isometric View


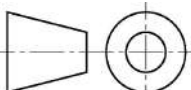
	<b>Part Number</b>				<b>Created By</b>		<b>Cross Sectional Area (mm<sup>2</sup>)</b>		<b>Nominal Dimension (mm)</b>		<b>Tolerance, ± (mm)</b>
	205449				David Stirling		1600		<b>Greater Than</b>	<b>Less Than or Equal to</b>	
	<b>Description</b>				<b>Date Drawn</b>		<b>Material</b>		0.00	1.50	0.40
					12/01/2022		EPDM		1.50	2.50	0.50
	Right Angle Section				<b>Approved By</b>		<b>Hardness (Shore A)</b>		2.50	4.00	0.70
					<b>Date of Approval</b>		80		4.00	6.30	0.80
							Black		6.30	10.00	1.00
	<b>Revision</b>	<b>Date of Issue</b>	<b>Sheet Scale</b>	<b>Sheet Size</b>	<b>Sheet</b>	<b>Projection</b>	<b>Weight (kg/m)</b>		10.00	16.00	1.30
	A	12/01/2022	1:1	A3	1/1	3rd Agl. 	2.51		16.00	25.00	1.60
									25.00	40.00	2.00
								40.00	63.00	2.50	
								63.00	100.00	3.20	
								100.00		3.20%	





Profile View

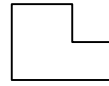
NE Isometric View

	<b>Part Number</b>				<b>Created By</b>		<b>Cross Sectional Area (mm<sup>2</sup>)</b>		<b>Nominal Dimension (mm)</b>		<b>Tolerance, ± (mm)</b>
	205776				Kev Parkin		1600		<b>Greater Than</b>	<b>Less Than or Equal to</b>	
	<b>Description</b>				<b>Date Drawn</b>		<b>Material</b>		0.00	1.50	0.40
					01/04/2020		EPDM		1.50	2.50	0.50
	Right Angle Section				<b>Approved By</b>		<b>Hardness (Shore A)</b>		2.50	4.00	0.70
					Adam Harvey		70		4.00	6.30	0.80
					<b>Date of Approval</b>		<b>Colour</b>		6.30	10.00	1.00
	27/04/2020		Black		10.00	16.00	1.30				
	<b>Revision</b>		<b>Date of Issue</b>		<b>Projection</b>		<b>Weight (kg/m)</b>		16.00	25.00	1.60
	A	27/04/2020	1:1	A3	1/1	3rd Agl. 	2.51		25.00	40.00	2.00
								40.00	63.00	2.50	
								63.00	100.00	3.20	
								100.00		3.20%	

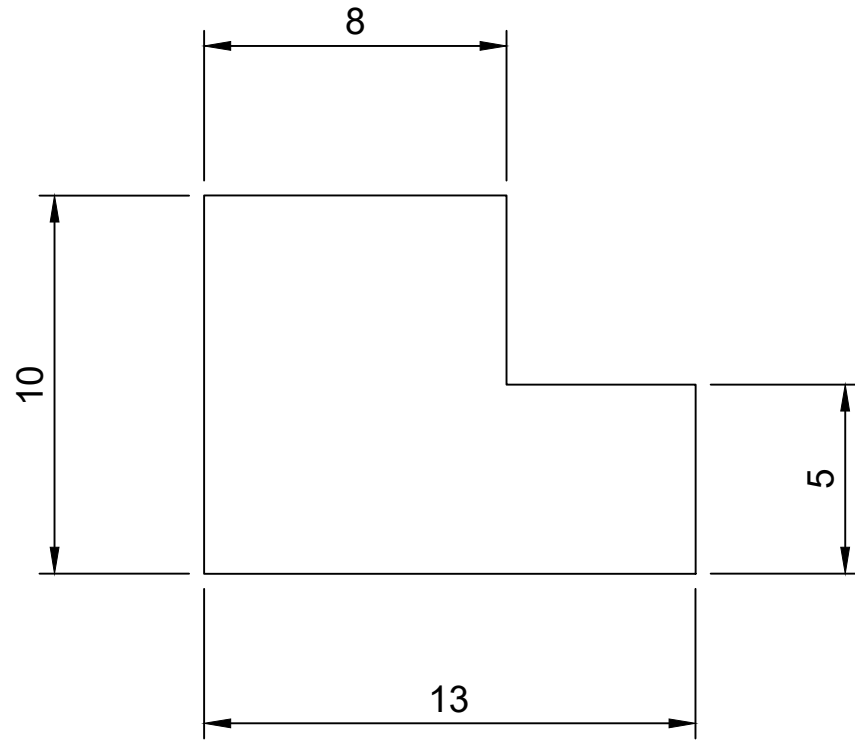
1 2 3 4 5 6 7 8

A  
B  
C  
D  
E  
F

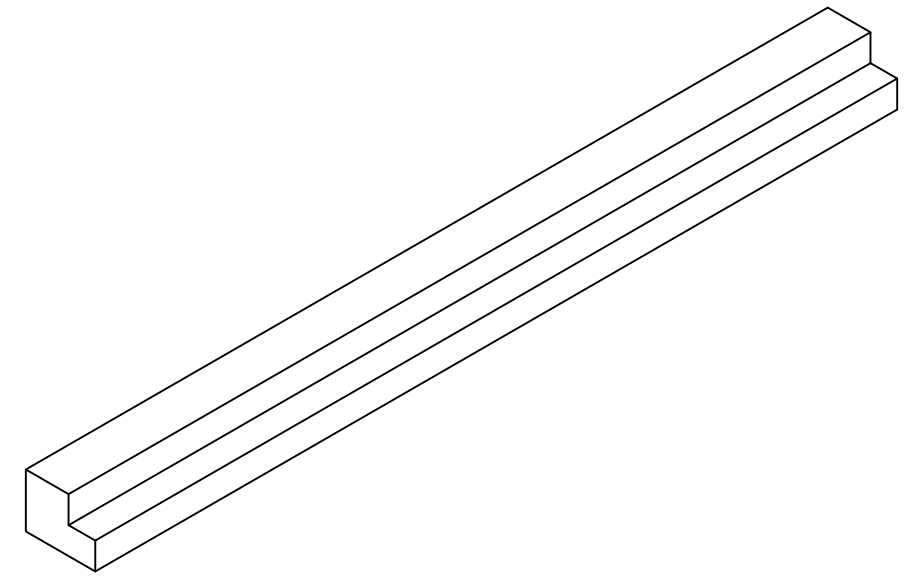
A  
B  
C  
D  
E  
F



Profile View Scale 1:1



Profile View

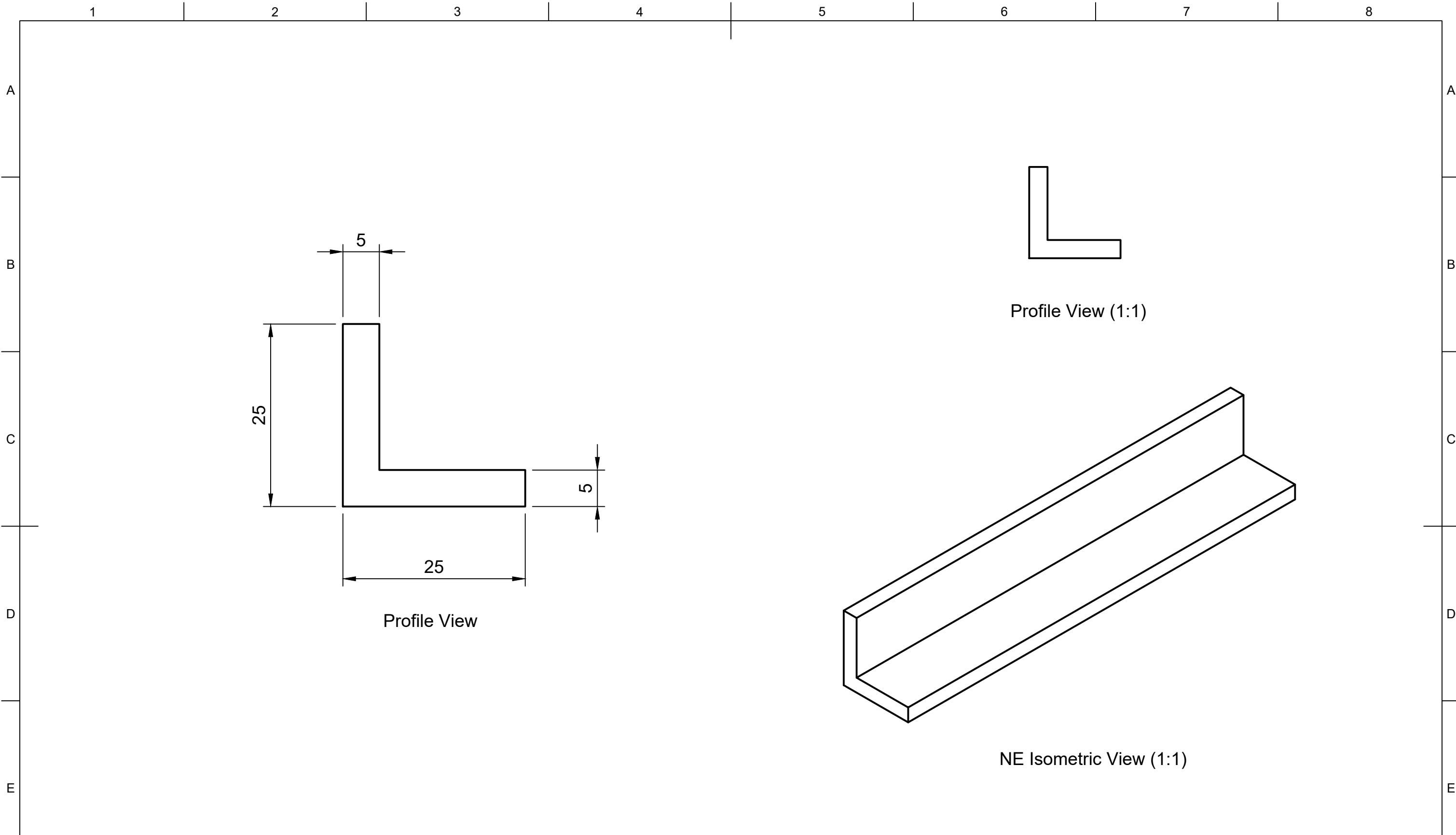



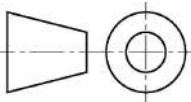
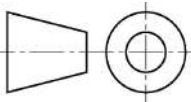
NE Isometric View Scale: 1:1

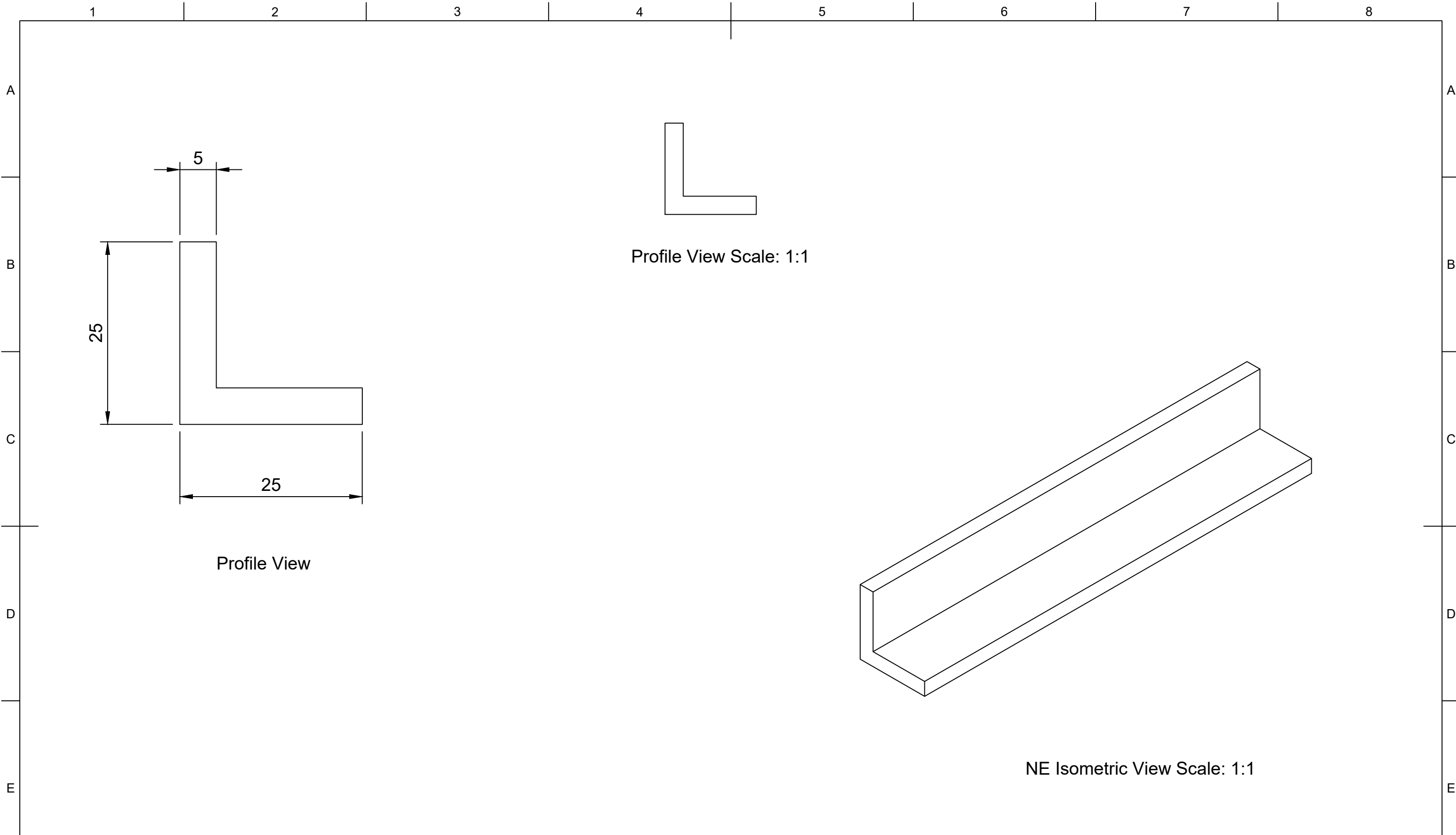


	<b>Part Number</b>				<b>Created By</b>		<b>Cross Sectional Area (mm<sup>2</sup>)</b>		<b>Nominal Dimension (mm)</b>		<b>Tolerance, ± (mm)</b>				
	206183				David Stirling		105		<b>Greater Than</b>	<b>Less Than or Equal to</b>					
	<b>Description</b>				Date Drawn		Material		0.00	1.50	0.40				
					12/01/2022		EPDM		1.50	2.50	0.50				
	Right Angle Section				Approved By		Hardness (Shore A)		2.50	4.00	0.70				
					Date of Approval		Colour		4.00	6.30	0.80				
	Revision				Sheet Scale		Sheet Size		Sheet		Projection		6.30	10.00	1.00
													Date of Issue		Weight (g/m)
	A		5:1		A3		1/1		3rd Agl.		130		16.00	25.00	1.60
	12/01/2022		5:1		A3		1/1		3rd Agl.		130		25.00	40.00	2.00
40.00													63.00	2.50	
63.00													100.00	3.20	
12/01/2022		5:1		A3		1/1		3rd Agl.		130		100.00	—	3.20%	
												100.00		—	3.20%

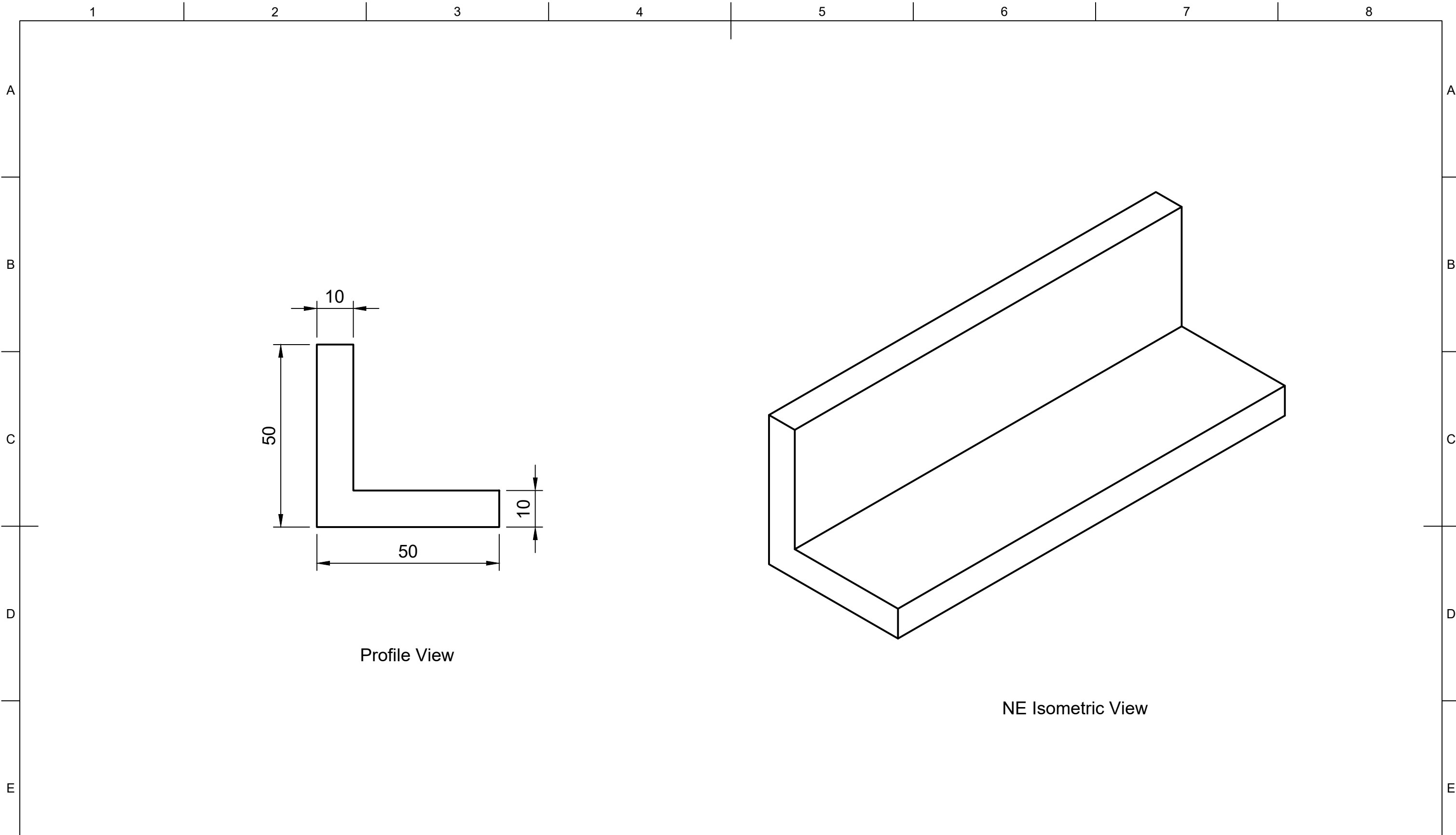
1 2 3 4 5 6 7 8



	<b>Part Number</b>				<b>Created By</b>		<b>Cross Sectional Area (mm<sup>2</sup>)</b>		<b>Nominal Dimension (mm)</b>		<b>Tolerance, ± (mm)</b>
	206384				David Stirling		225		<b>Greater Than</b>	<b>Less Than or Equal to</b>	
	<b>Description</b>				<b>Date Drawn</b>		<b>Material</b>		0.00	1.50	0.40
					13/01/2022		Neoprene		1.50	2.50	0.50
	Right Angle Section				<b>Approved By</b>		<b>Hardness (Shore A)</b>		2.50	4.00	0.70
					<b>Date of Approval</b>		70		4.00	6.30	0.80
							Black		6.30	10.00	1.00
					<b>Projection</b> 3rd Agl. 				Weight (g/m)		10.00
	16.00	25.00	1.60								
	25.00	40.00	2.00								
40.00	63.00	2.50									
<b>Revision</b>	<b>Date of Issue</b>	<b>Sheet Scale</b>	<b>Sheet Size</b>	<b>Sheet</b>					63.00	100.00	3.20
A	13/01/2022	2:1	A3	1/1					100.00		3.20%


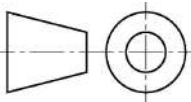


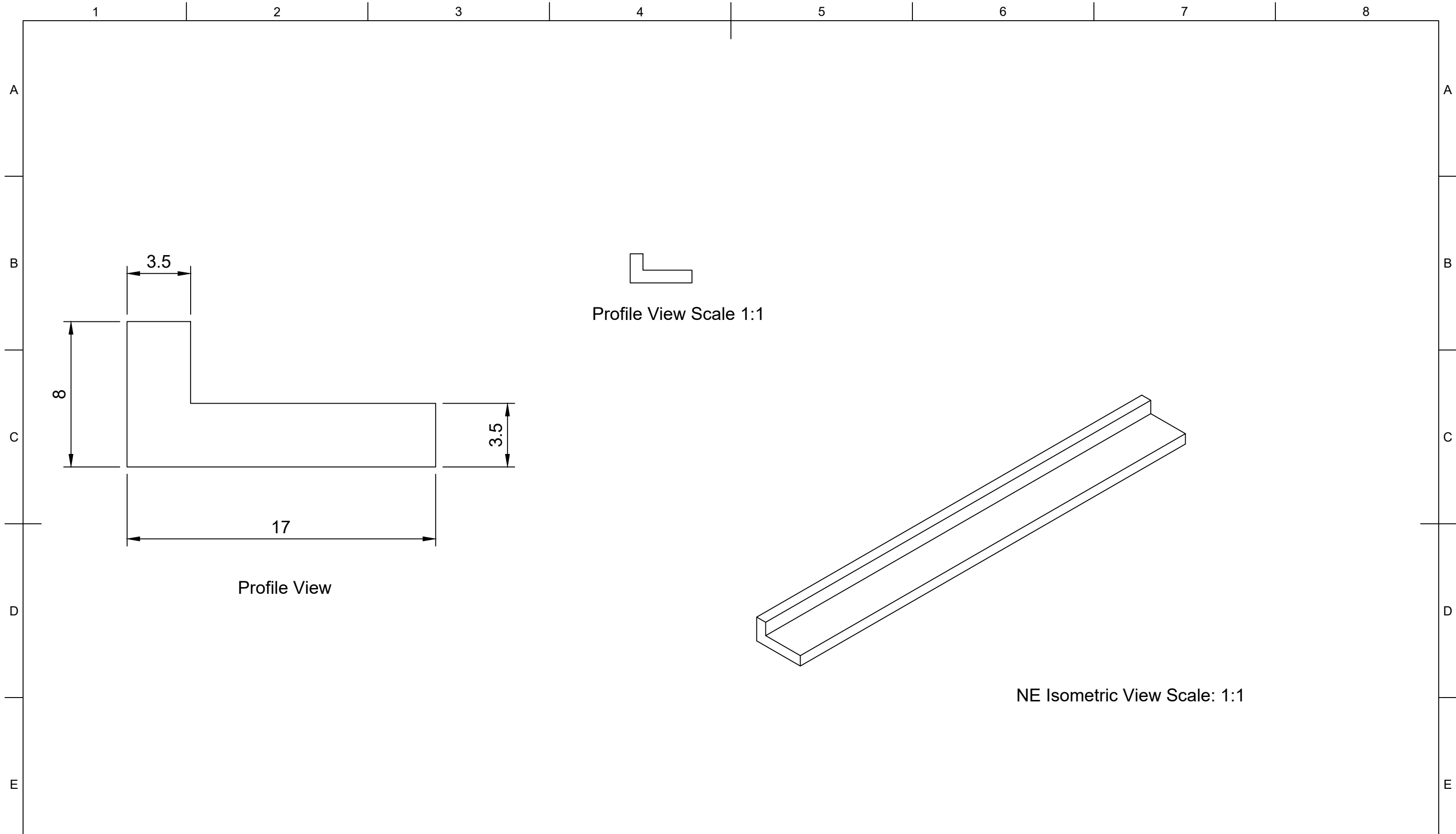
Part Number	206457				Created By	David Stirling	Cross Sectional Area (mm <sup>2</sup> )	225		Nominal Dimension (mm)		Tolerance, ± (mm)
					Date Drawn	02/04/2020	Material	EPDM	Greater Than	Less Than or Equal to	0.00	
Description	Right Angle Section				Approved By		Hardness (Shore A)	70		1.50	2.50	0.50
					Date of Approval		Colour	Black	2.50	4.00	0.70	4.00
Revision	Date of Issue	Sheet Scale	Sheet Size	Sheet	Projection	3rd Agl.	Weight (g/m)	280		6.30	10.00	1.00
A	12/01/2022	2:1	A3	1/1	10.00			16.00	1.30	16.00	25.00	1.60
								25.00	40.00	2.00		
								40.00	63.00	2.50		
								63.00	100.00	3.20		
								100.00		3.20%		


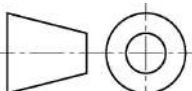


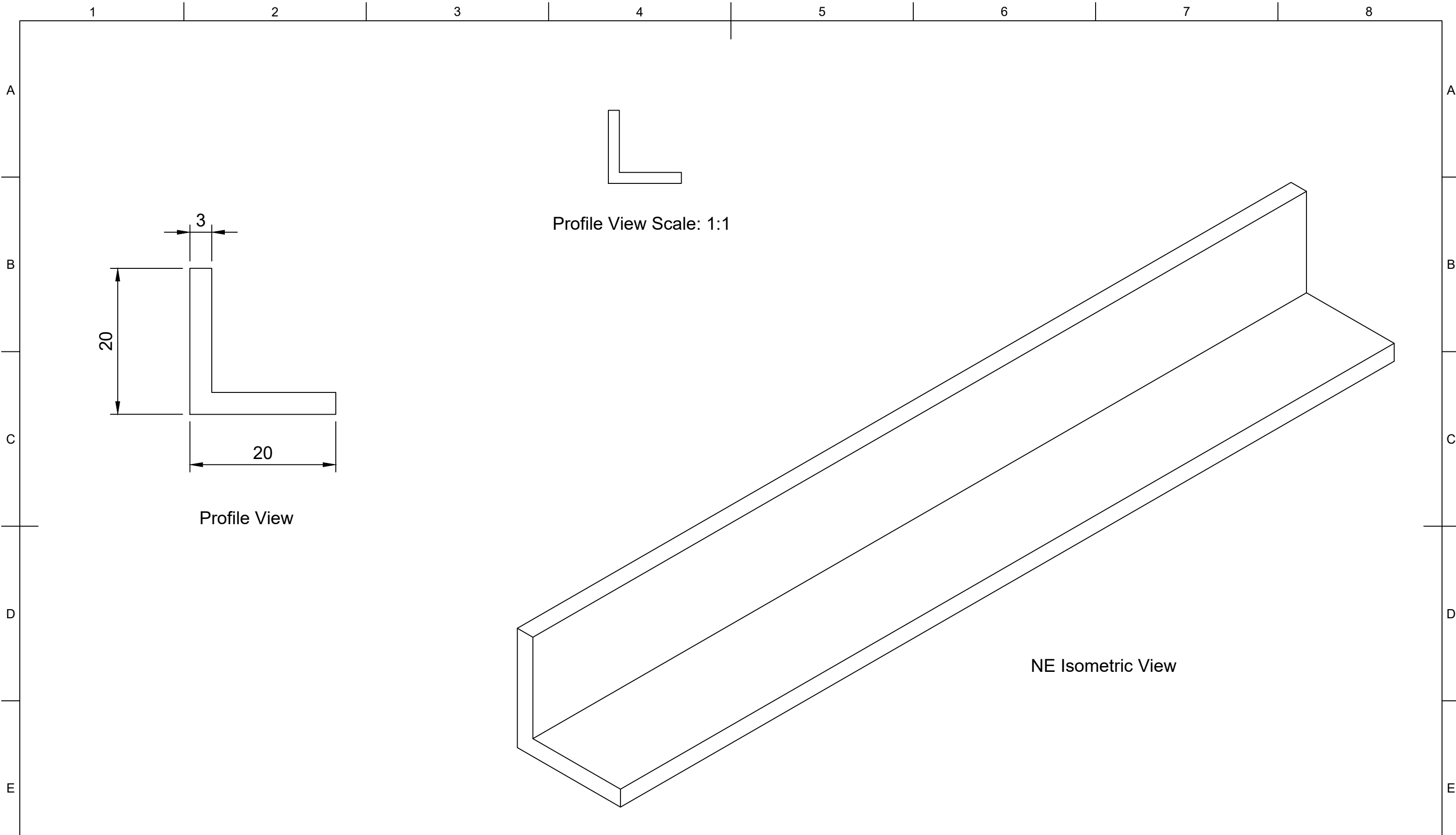
Profile View


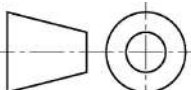
NE Isometric View

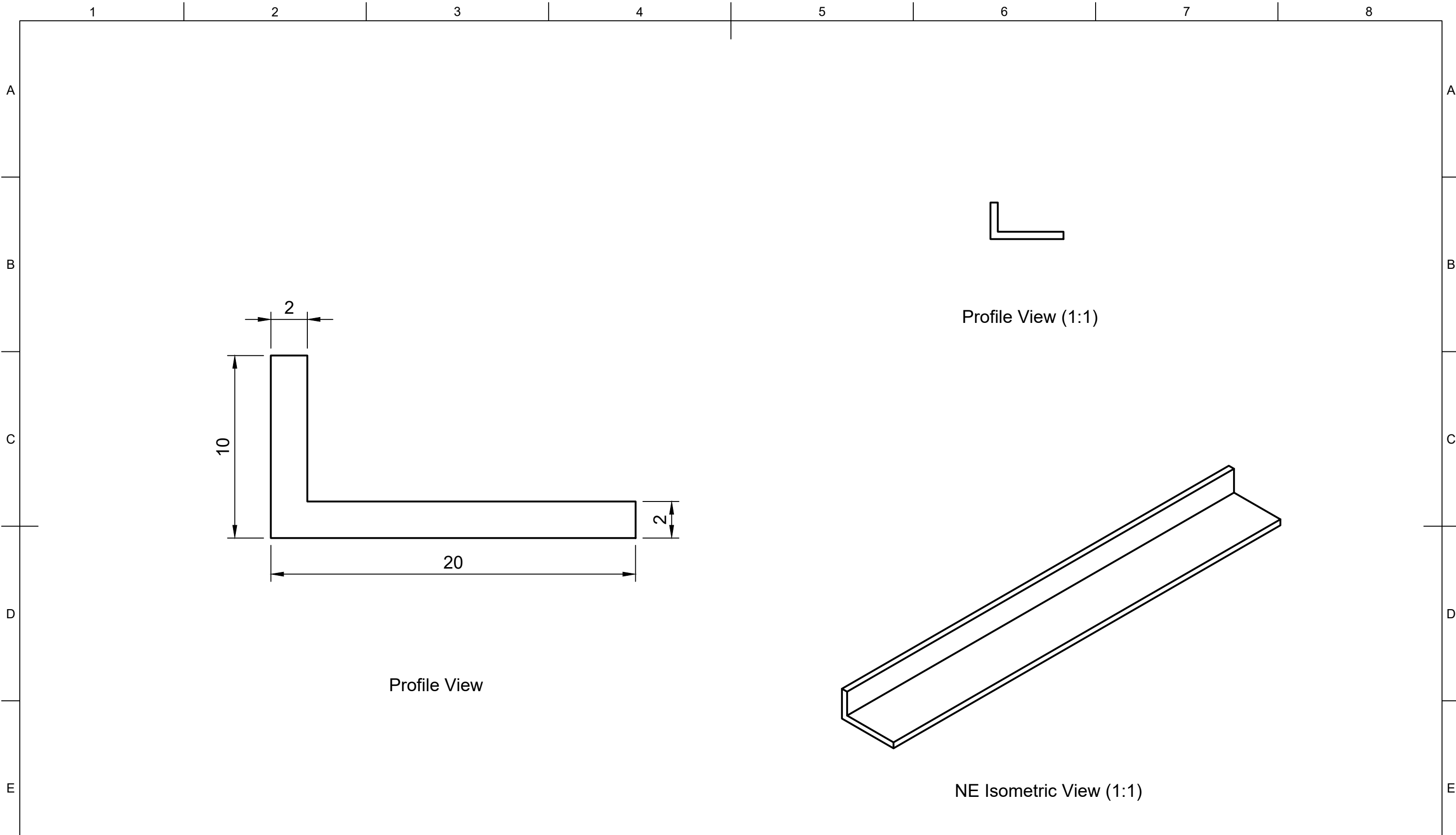
	<b>Part Number</b>				<b>Created By</b>		<b>Cross Sectional Area (mm<sup>2</sup>)</b>		<b>Nominal Dimension (mm)</b>		<b>Tolerance, ± (mm)</b>	
	206529				David Stirling		900		<b>Greater Than</b>	<b>Less Than or Equal to</b>		
	<b>Description</b>				<b>Date Drawn</b>		<b>Material</b>		0.00	1.50	0.40	
					13/01/2022		Neoprene		1.50	2.50	0.50	
	Right Angle Section				<b>Approved By</b>		<b>Hardness (Shore A)</b>		2.50	4.00	0.70	
							70		4.00	6.30	0.80	
							<b>Date of Approval</b>		<b>Colour</b>		6.30	10.00
							Black		10.00	16.00	1.30	
	<b>Projection</b>		<b>Weight (kg/m)</b>				16.00	25.00	1.60			
	3rd Agl. 		1.359				25.00	40.00	2.00			
<b>Revision</b>	<b>Date of Issue</b>	<b>Sheet Scale</b>	<b>Sheet Size</b>	<b>Sheet</b>					40.00	63.00	2.50	
A	13/01/2022	1:1	A3	1/1					63.00	100.00	3.20	
										100.00	---	3.20%



	Part Number				Created By		Cross Sectional Area (mm <sup>2</sup> )		Nominal Dimension (mm)		Tolerance, ± (mm)
	206617				David Stirling		75		Greater Than	Less Than or Equal to	
	Description				Date Drawn		Material		0.00		0.40
					02/04/2020		EPDM		1.50		0.50
	Right Angle Section				Approved By		Hardness (Shore A)		2.50		0.70
					Date of Approval		70		4.00		0.80
	Revision				Projection		Colour		6.30		1.00
					3rd Agl. 		Black		10.00		1.30
	A		Date of Issue		Sheet Scale		Weight (g/m)		16.00		1.60
	12/01/2022		5:1		94		25.00		40.00		2.00
Sheet Size		Sheet		63.00		63.00		100.00		3.20	
A3		1/1		100.00		100.00		100.00		3.20%	

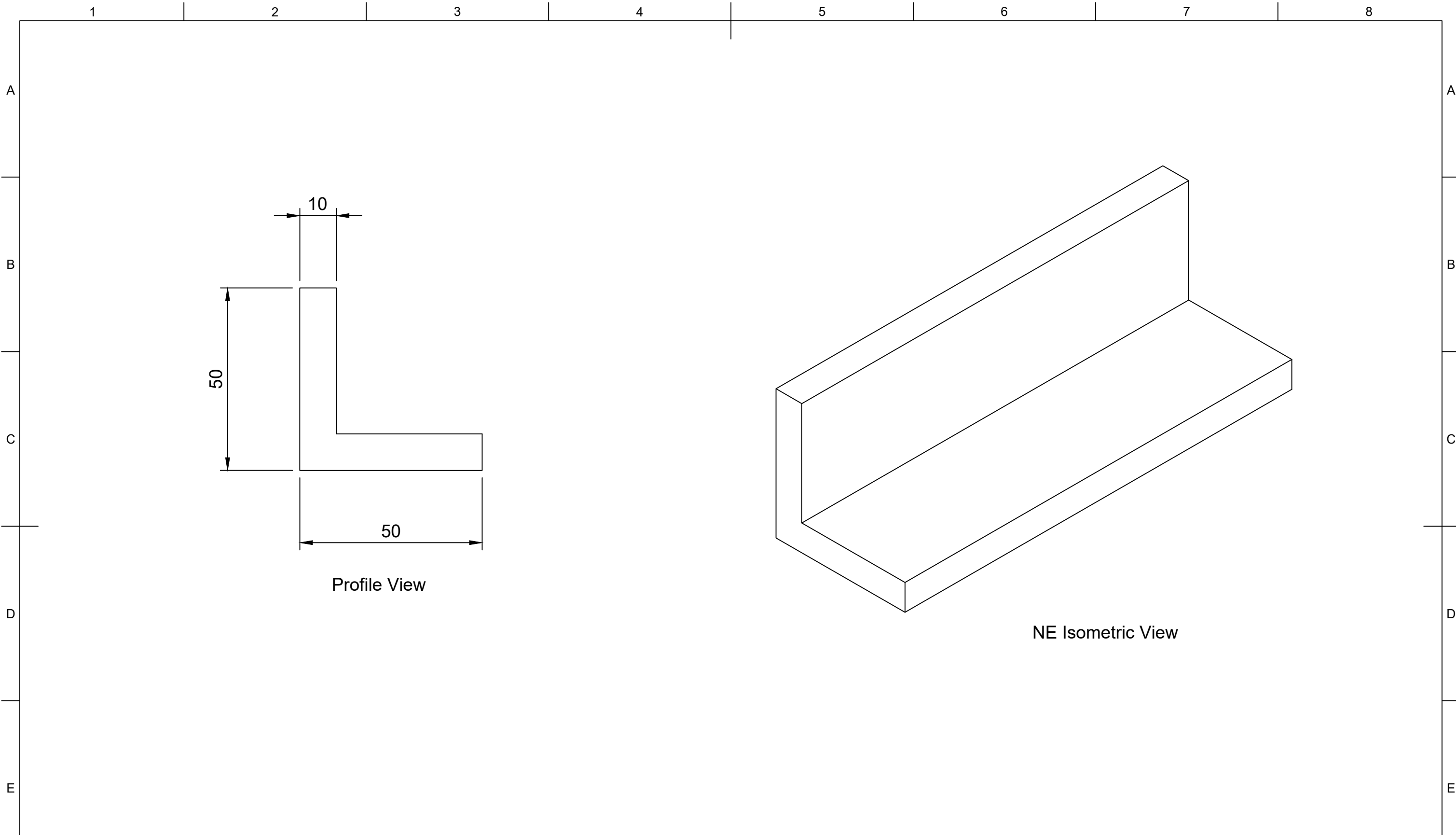


	<b>Part Number</b>				<b>Created By</b>		<b>Cross Sectional Area (mm<sup>2</sup>)</b>		<b>Nominal Dimension (mm)</b>		<b>Tolerance, ± (mm)</b>								
	206830				David Stirling		111		<b>Greater Than</b>	<b>Less Than or Equal to</b>	0.40								
					Date Drawn		Material		0.00	1.50									
	Right Angle Section				02/04/2020		EPDM		1.50	2.50	0.50								
					<b>Approved By</b>		<b>Hardness (Shore A)</b>		2.50	4.00	0.70								
					Date of Approval		70		4.00	6.30	0.80								
					Colour		Black		6.30	10.00	1.00								
	<b>Revision</b> A				<b>Date of Issue</b> 12/01/2022		<b>Sheet Scale</b> 2:1		<b>Sheet Size</b> A3		<b>Sheet</b> 1/1		<b>Projection</b> 3rd Agl. 		<b>Weight (g/m)</b> 140		10.00	16.00	1.30
																	16.00	25.00	1.60
																	25.00	40.00	2.00
40.00																	63.00	2.50	
								63.00	100.00	3.20									
								100.00		3.20%									




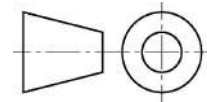
	<b>Part Number</b>				<b>Created By</b>		<b>Cross Sectional Area (mm<sup>2</sup>)</b>		<b>Nominal Dimension (mm)</b>		<b>Tolerance, ± (mm)</b>
	206860				David Stirling		56		<b>Greater Than</b>	<b>Less Than or Equal to</b>	
	<b>Description</b>				<b>Date Drawn</b>		<b>Material</b>		0.00	1.50	0.40
	Right Angle Section				13/01/2022		Neoprene		1.50	2.50	0.50
	<b>Revision</b>				<b>Approved By</b>		<b>Hardness (Shore A)</b>		2.50	4.00	0.70
	A	Date of Issue		Sheet Scale	Sheet Size	Sheet	Date of Approval		4.00	6.30	0.80
		13/01/2022		5:1	A3	1/1	Colour		6.30	10.00	1.00
							3rd Agl.		10.00	16.00	1.30
							Weight (g/m)		16.00	25.00	1.60
							85		25.00	40.00	2.00
								40.00	63.00	2.50	
								63.00	100.00	3.20	
								100.00		3.20%	

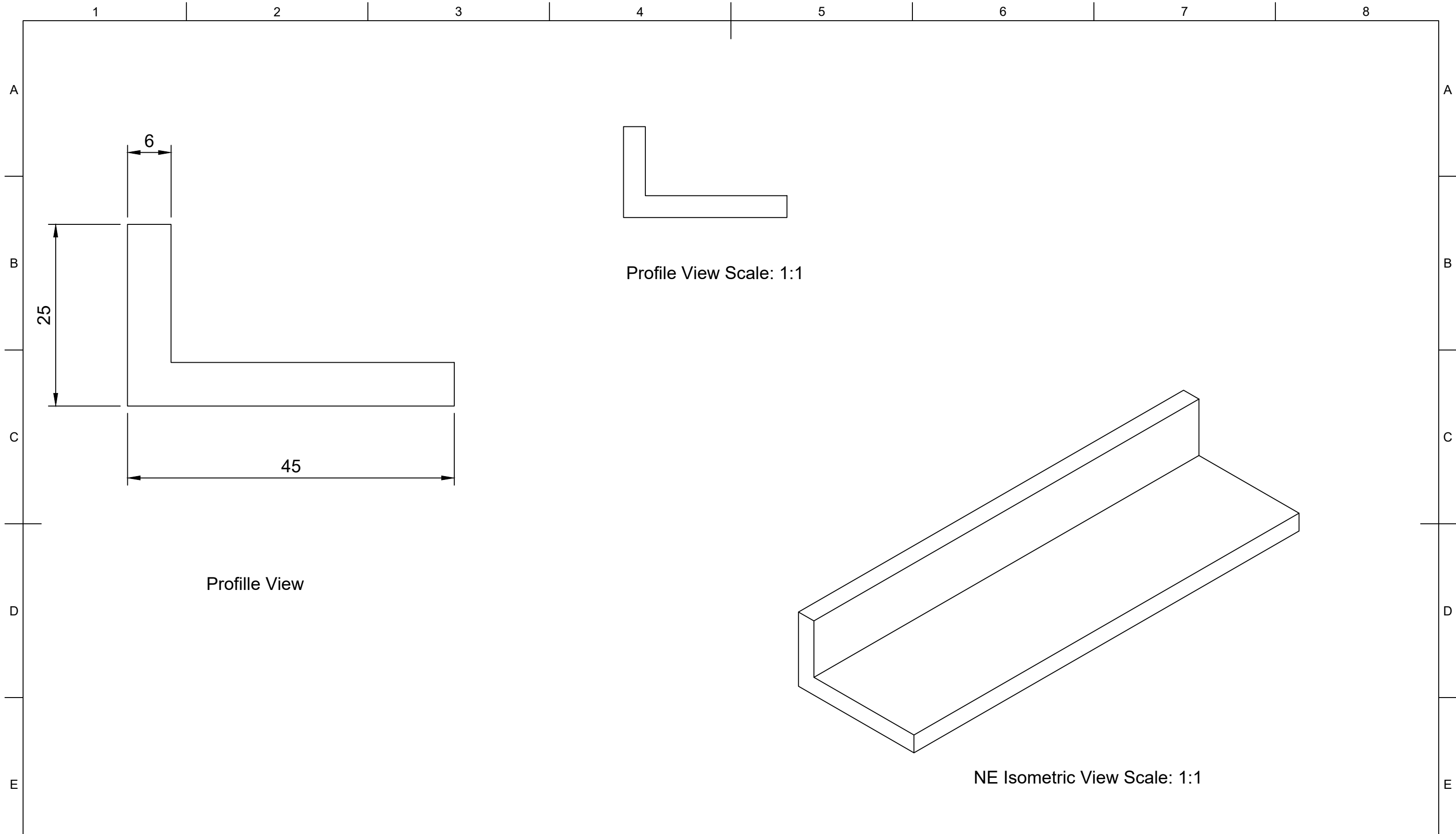



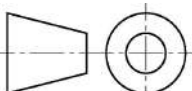


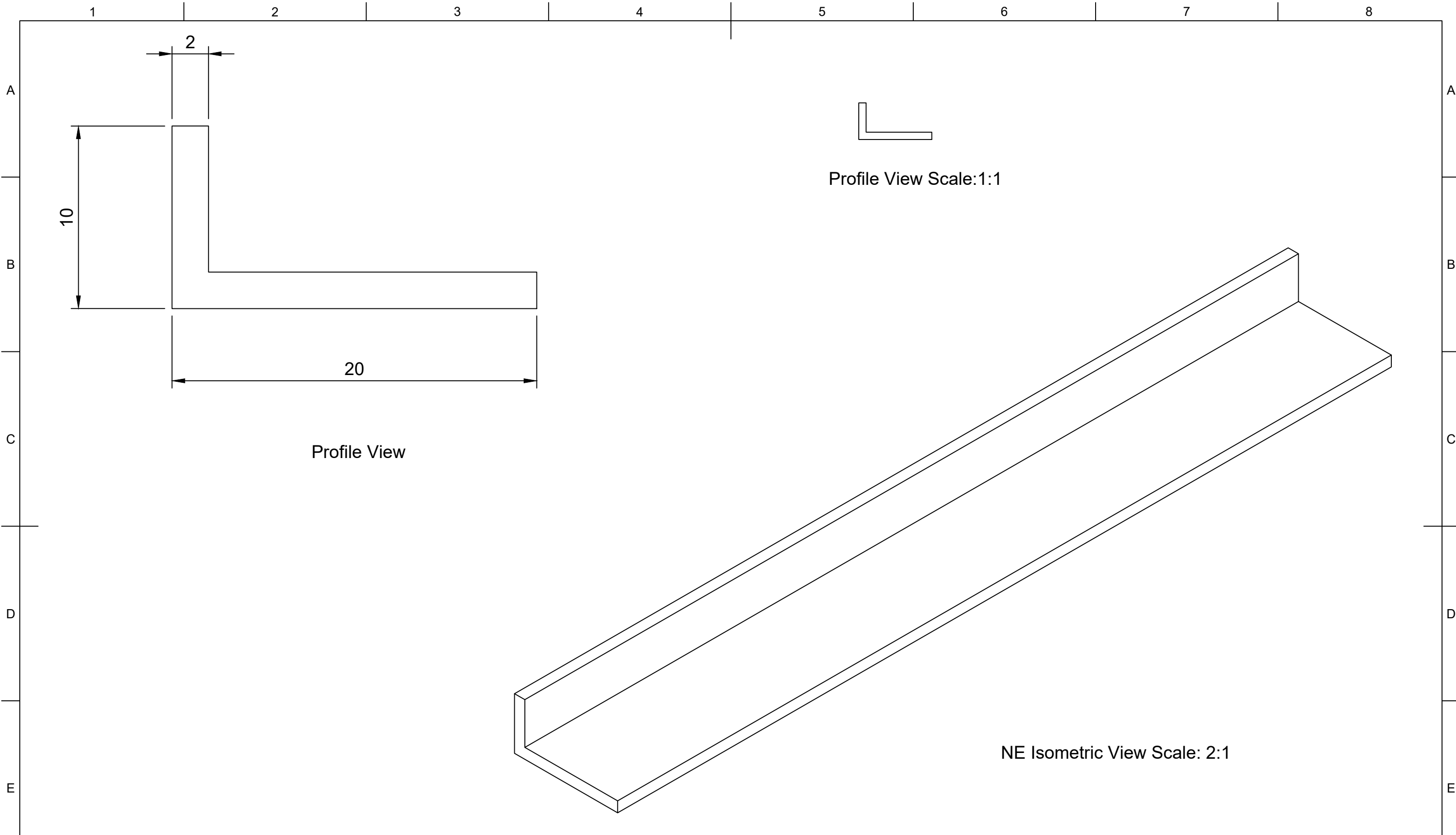
Profile View


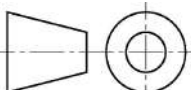
NE Isometric View

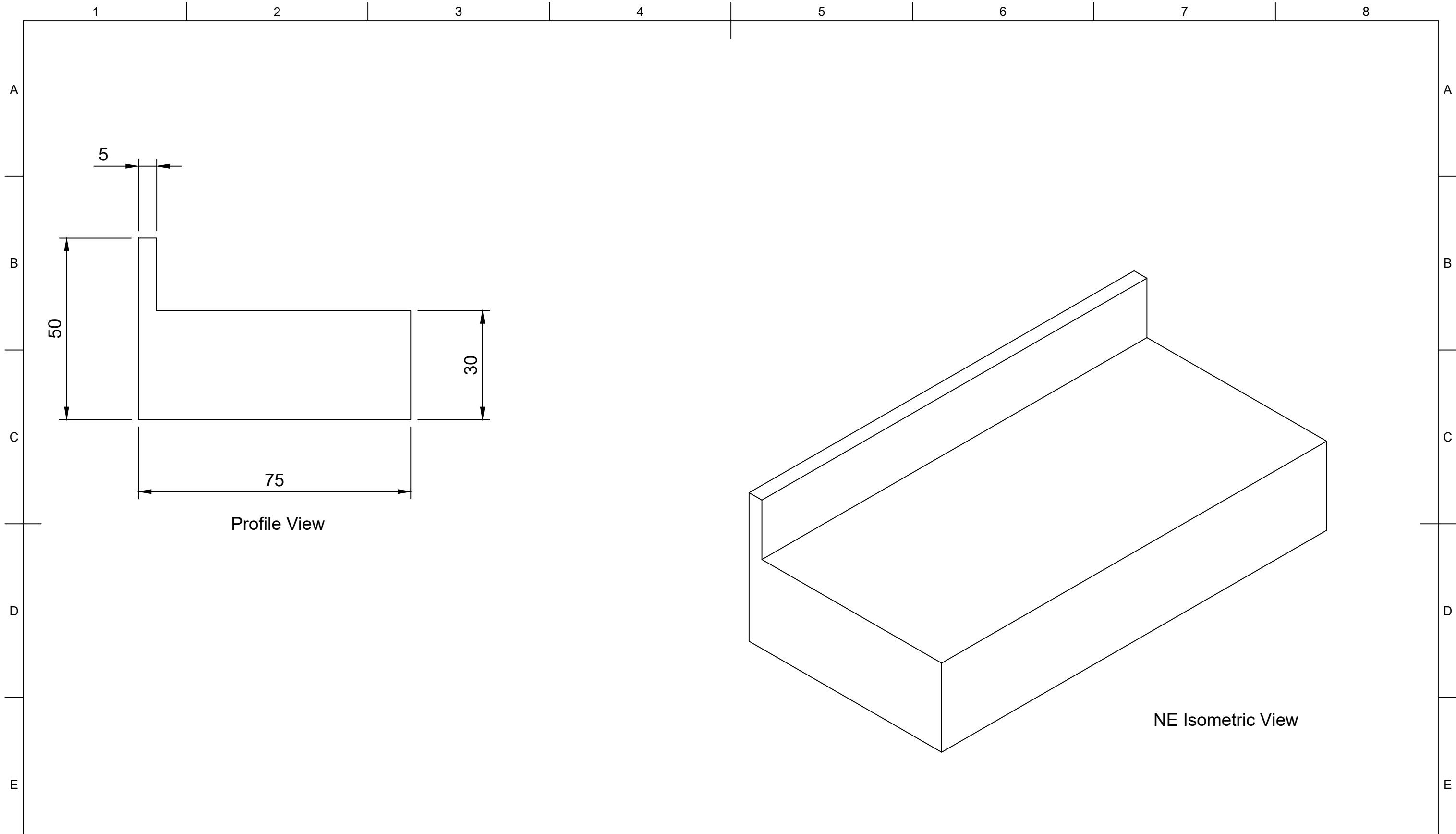
	<b>Part Number</b>				<b>Created By</b>		<b>Cross Sectional Area (mm<sup>2</sup>)</b>		<b>Nominal Dimension (mm)</b>		<b>Tolerance, ± (mm)</b>
	207344				David Stirling		900		<b>Greater Than</b>	<b>Less Than or Equal to</b>	
	<b>Description</b>				<b>Date Drawn</b>		<b>Material</b>		0.00		0.40
					03/04/2020		EPDM		1.50		0.50
	<b>Right Angle Section</b>				<b>Approved By</b>		<b>Hardness (Shore A)</b>		2.50		0.70
					Date of Approval		70		4.00		0.80
	<b>Revision</b>				<b>Weight (kg/m)</b>		Black		6.30		1.00
					1.116		10.00		16.00		1.30
	<b>Date of Issue</b>		<b>Sheet Scale</b>		<b>Sheet Size</b>		<b>Sheet</b>		25.00		2.00
	13/01/2022		1:1		A3		1/1		40.00		2.50
<b>Projection</b>		<b>3rd Agl.</b>						63.00		3.20	
A								100.00		3.20%	


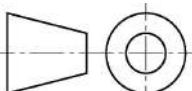


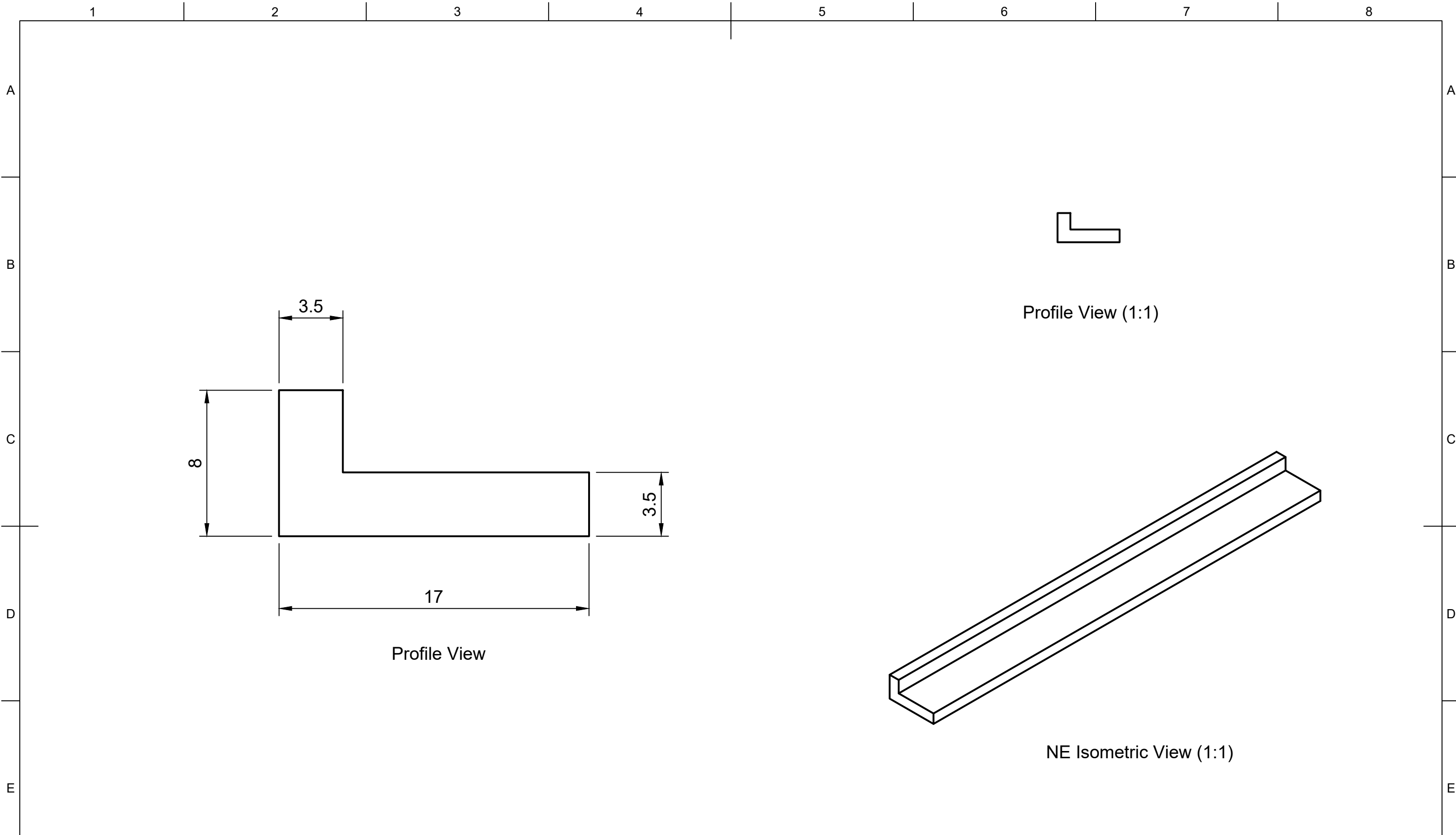
	<b>Part Number</b>				<b>Created By</b>		<b>Cross Sectional Area (mm<sup>2</sup>)</b>		<b>Nominal Dimension (mm)</b>		<b>Tolerance, ± (mm)</b>
	207413				David Stirling		384		<b>Greater Than</b>	<b>Less Than or Equal to</b>	
	<b>Description</b>				<b>Date Drawn</b>		<b>Material</b>				
	Right Angle Section				03/04/2020		EPDM				
					<b>Approved By</b>		<b>Hardness (Shore A)</b>				
							70				
					<b>Date of Approval</b>		<b>Colour</b>				
							Black				
					<b>Projection</b>		<b>Weight (g/m)</b>				
					3rd Agl. 		480				
<b>Revision</b>	<b>Date of Issue</b>	<b>Sheet Scale</b>	<b>Sheet Size</b>	<b>Sheet</b>							
A	13/01/2022	2:1	A3	1/1							


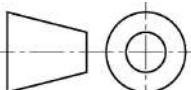


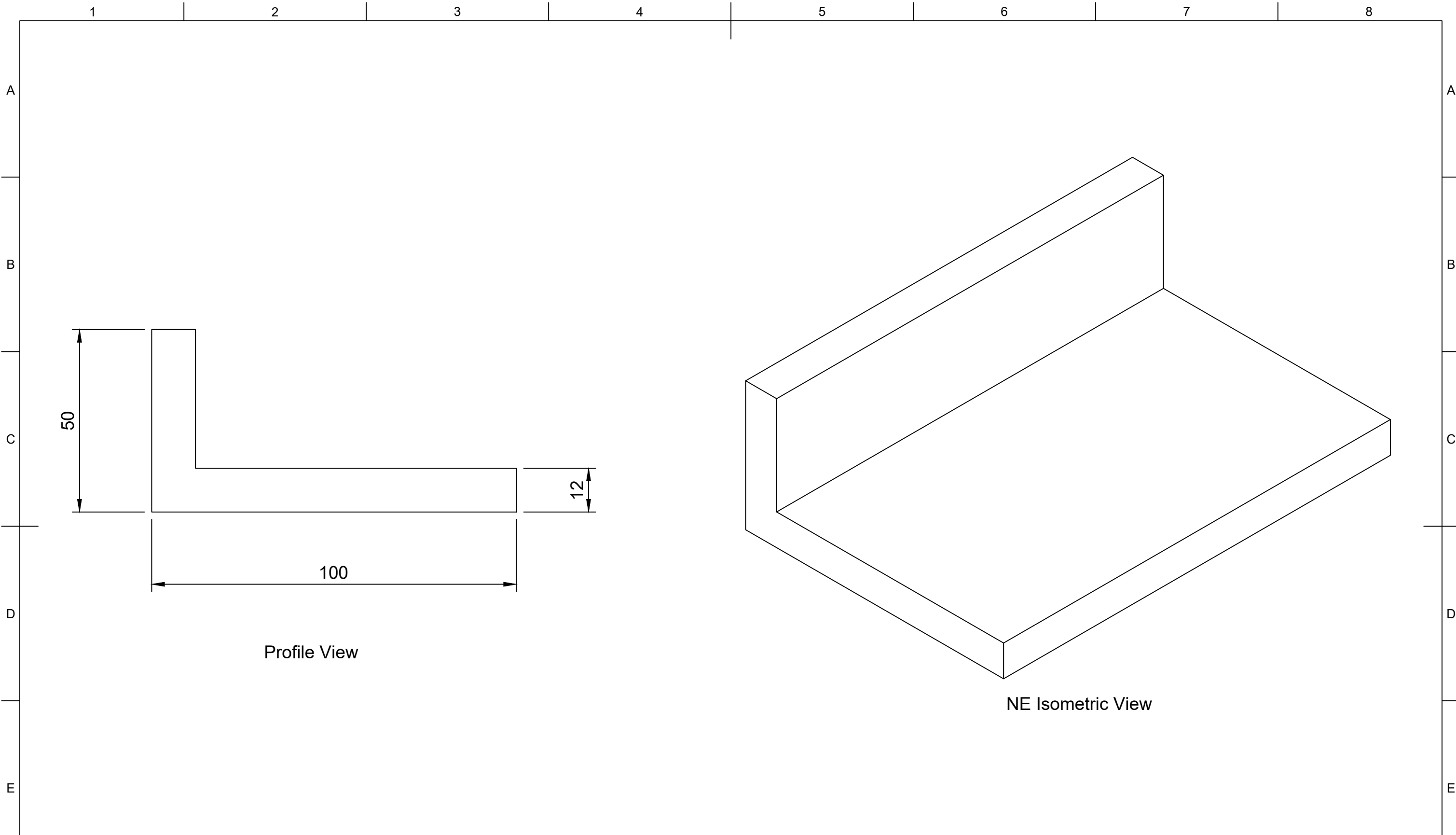
	<b>Part Number</b>				<b>Created By</b>		<b>Cross Sectional Area (mm<sup>2</sup>)</b>		<b>Nominal Dimension (mm)</b>		<b>Tolerance, ± (mm)</b>
	207507				David Stirling		56		<b>Greater Than</b>	<b>Less Than or Equal to</b>	
	<b>Description</b>				<b>Date Drawn</b>		<b>Material</b>		0.00	1.50	0.40
					13/04/2020		EPDM		1.50	2.50	0.50
	Right Angle Section				<b>Approved By</b>		<b>Hardness (Shore A)</b>		2.50	4.00	0.70
					<b>Date of Approval</b>		70		4.00	6.30	0.80
							Black		6.30	10.00	1.00
	<b>Revision</b>	<b>Date of Issue</b>	<b>Sheet Scale</b>	<b>Sheet Size</b>	<b>Sheet</b>	<b>Projection</b>			<b>Weight (g/m)</b>	10.00	16.00
	A	13/01/2022	5:1	A3	1/1	3rd Agl. 	16.00	25.00		1.60	
							70			25.00	40.00
40.00										63.00	2.50
63.00										100.00	3.20
								100.00		3.20%	


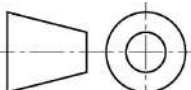


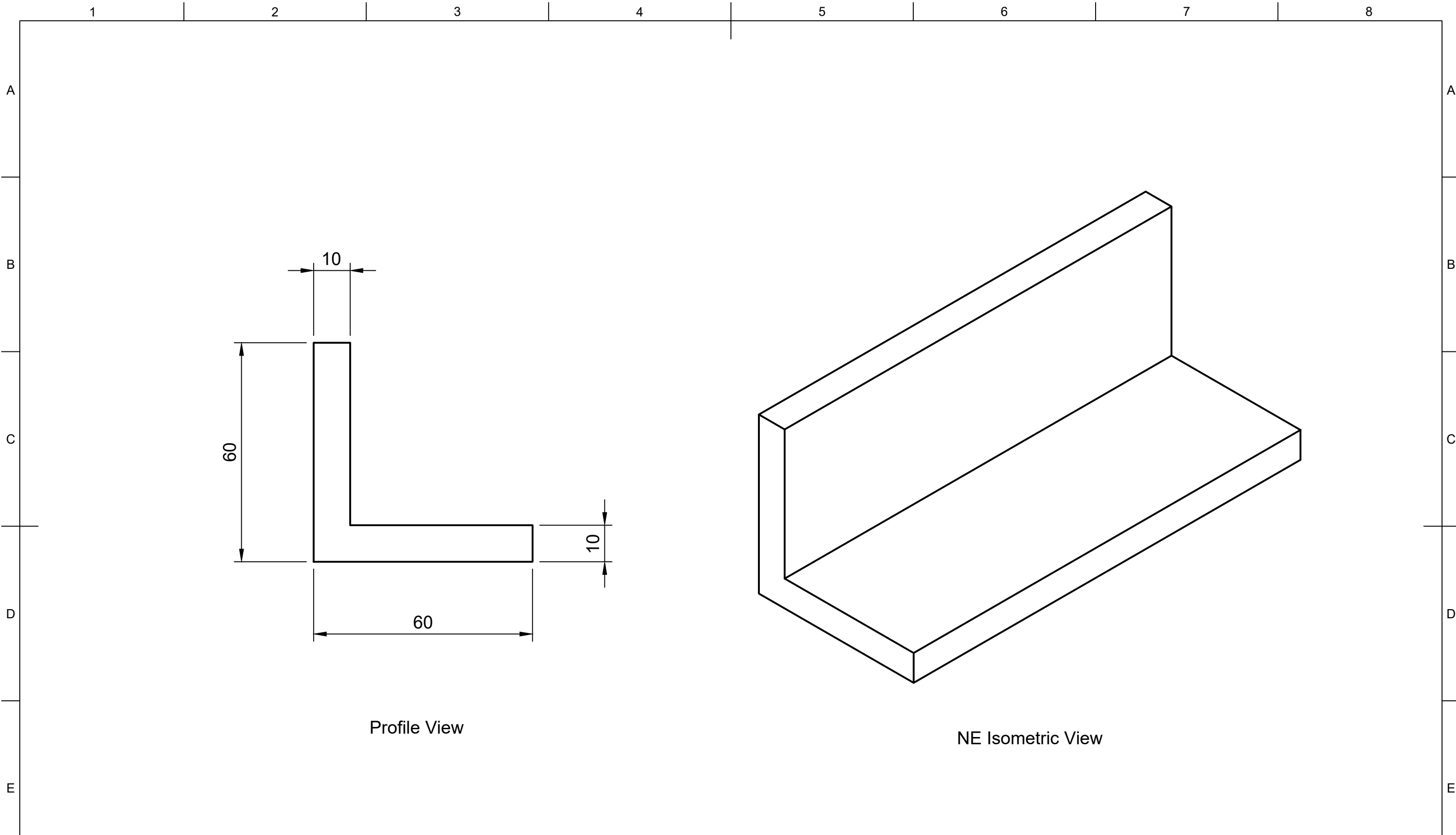
	<b>Part Number</b>				<b>Created By</b>		<b>Cross Sectional Area (mm<sup>2</sup>)</b>		<b>Nominal Dimension (mm)</b>		<b>Tolerance, ± (mm)</b>
	207625				David Stirling		2350		<b>Greater Than</b>	<b>Less Than or Equal to</b>	
	<b>Description</b>				<b>Date Drawn</b>		<b>Material</b>		0.00		0.40
					03/04/2020		EPDM		1.50		0.50
	<b>Right Angle Section</b>				<b>Approved By</b>		<b>Hardness (Shore A)</b>		2.50		0.70
					Date of Approval		70		4.00		0.80
	<b>Revision</b>				<b>Projection</b>		<b>Colour</b>		6.30		1.00
					3rd Agl. 		Black		10.00		1.30
	<b>Date of Issue</b>		<b>Sheet Scale</b>		<b>Sheet Size</b>		<b>Weight (kg/m)</b>		16.00		1.60
	13/01/2022		1:1		A3		2.961		25.00		2.00
<b>Sheet</b>		<b>Sheet</b>		<b>Sheet</b>				40.00		2.50	
A		1/1		1/1				63.00		3.20	
								100.00		3.20%	



	<b>Part Number</b>				<b>Created By</b>		<b>Cross Sectional Area (mm<sup>2</sup>)</b>		<b>Nominal Dimension (mm)</b>		<b>Tolerance, ± (mm)</b>
	208229				David Stirling		75		<b>Greater Than</b>	<b>Less Than or Equal to</b>	
	<b>Description</b>				<b>Date Drawn</b>		<b>Material</b>		0.00	1.50	0.40
	Right Angle Section				12/01/2022		Neoprene		1.50	2.50	0.50
	<b>Revision</b>				<b>Approved By</b>		<b>Hardness (Shore A)</b>		2.50	4.00	0.70
	A	Date of Issue		Sheet Scale	Sheet Size	Sheet	70		4.00	6.30	0.80
		12/01/2022		5:1	A3	1/1	70		6.30	10.00	1.00
	<b>Projection</b>				<b>Date of Approval</b>		<b>Colour</b>		10.00	16.00	1.30
	3rd Agl. 						Black		16.00	25.00	1.60
					<b>Weight (g/m)</b>		114		25.00	40.00	2.00
								40.00	63.00	2.50	
								63.00	100.00	3.20	
								100.00		3.20%	



	<b>Part Number</b>				<b>Created By</b>		<b>Cross Sectional Area (mm<sup>2</sup>)</b>		<b>Nominal Dimension (mm)</b>		<b>Tolerance, ± (mm)</b>
	208776				David Stirling		1656		<b>Greater Than</b>	<b>Less Than or Equal to</b>	
	<b>Description</b>				<b>Date Drawn</b>		<b>Material</b>		0.00	1.50	0.40
					01/04/2020		EPDM		1.50	2.50	0.50
	Angle Section				<b>Approved By</b>		<b>Hardness (Shore A)</b>		2.50	4.00	0.70
					<b>Date of Approval</b>		70		4.00	6.30	0.80
							Black		6.30	10.00	1.00
	<b>Revision</b>	<b>Date of Issue</b>	<b>Sheet Scale</b>	<b>Sheet Size</b>	<b>Sheet</b>	<b>Projection</b>	<b>Weight (kg/m)</b>		10.00	16.00	1.30
	A	12/01/2022	1:1	A3	1/1	3rd Agl. 	2.087		16.00	25.00	1.60
									25.00	40.00	2.00
								40.00	63.00	2.50	
								63.00	100.00	3.20	
								100.00		3.20%	

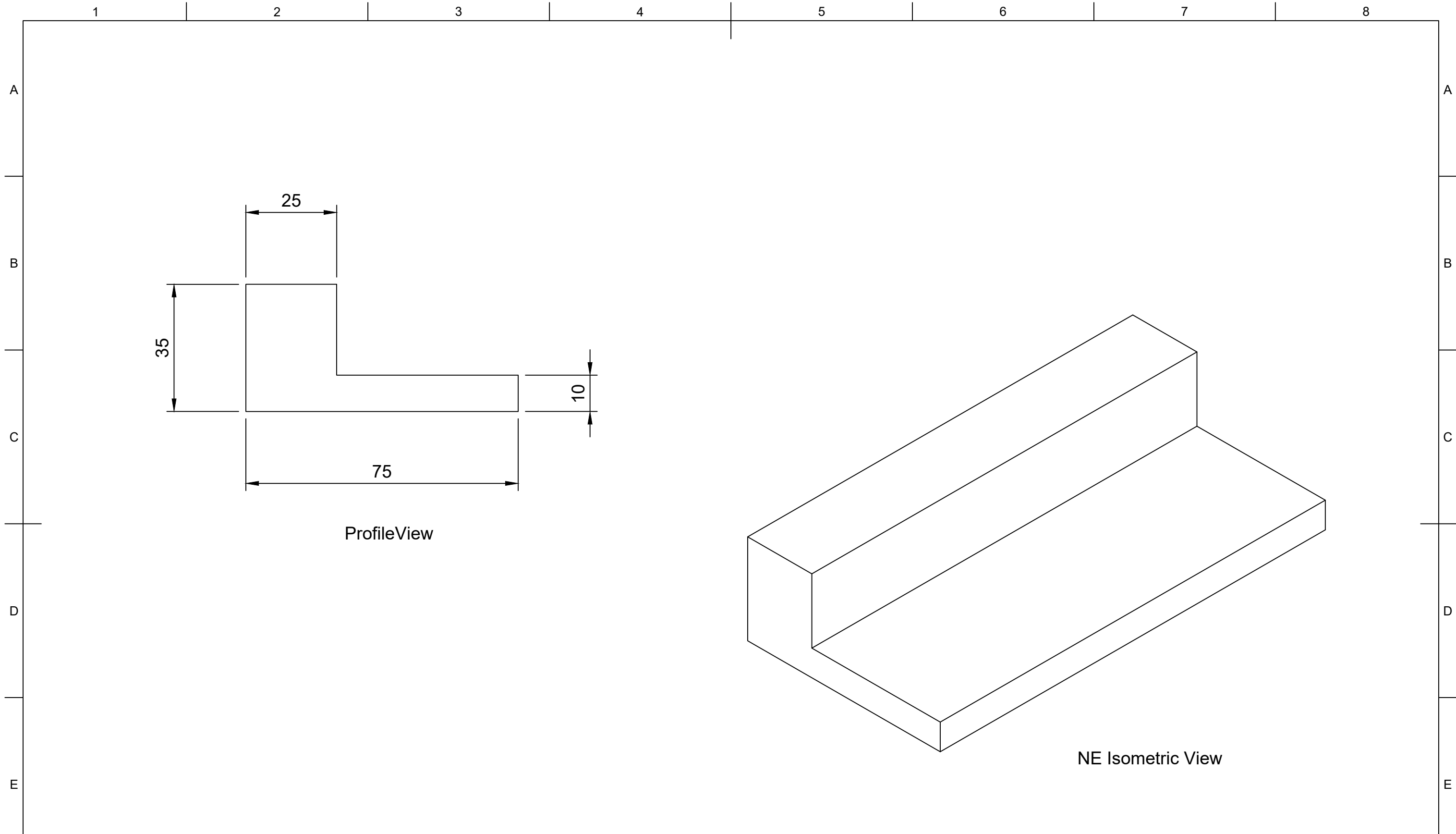


Profile View

NE Isometric View



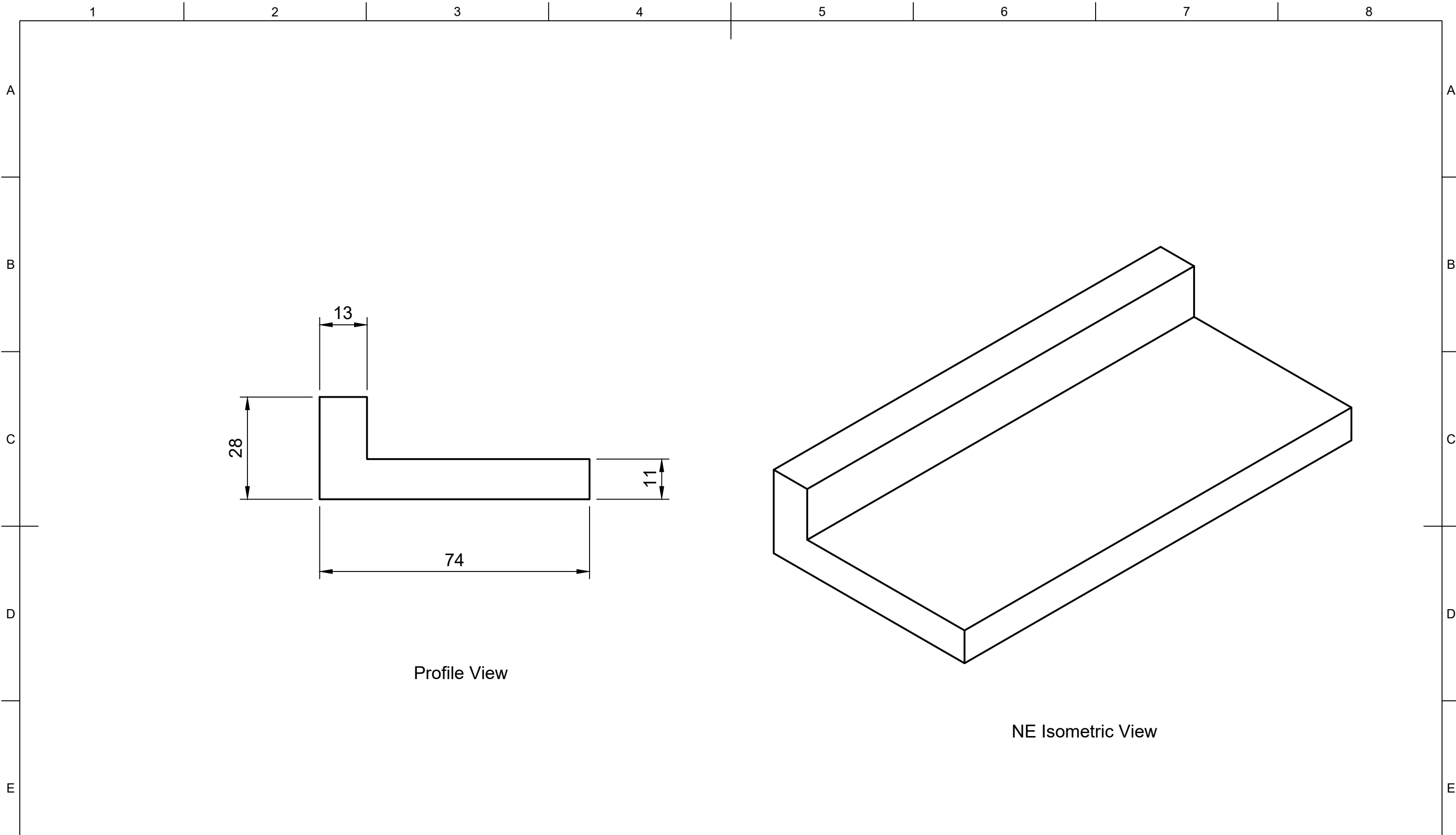
<b>WALKERRUBBER</b> LTD	<b>Part Number</b>				<b>Created By</b>		<b>Cross Sectional Area (mm<sup>2</sup>)</b>		<b>Nominal Dimension (mm)</b>		<b>Tolerance, ± (mm)</b>	
	209057				David Stirling		1100		<b>Greater Than</b>	<b>Less Than or Equal to</b>		
	<b>Description</b>				<b>Date Drawn</b>		<b>Material</b>		0.00	1.50	0.40	
	Right Angle Section				13/01/2022		Neoprene		1.50	2.50	0.50	
					<b>Approved By</b>		<b>Hardness (Shore A)</b>		2.50	4.00	0.70	
	<b>Revision</b>				<b>Date of Approval</b>		<b>Colour</b>		4.00	6.30	0.80	
	A	13/01/2022	1:1	A3	1/1	<b>Projection</b> 3rd Agl.		<b>Weight (kg/m)</b>		6.30	10.00	1.00
								10.00	16.00	1.30		
									16.00	25.00	1.60	
									25.00	40.00	2.00	
								40.00	63.00	2.50		
								63.00	100.00	3.20		
								100.00		3.20%		



Part Number <b>209454</b>					Created By David Stirling		Cross Sectional Area (mm <sup>2</sup> ) 1375		Nominal Dimension (mm)		Tolerance, ± (mm)
					Date Drawn 03/04/2020		Material EPDM		Greater Than	Less Than or Equal to	
Description <b>Right Angle Section</b>					Approved By		Hardness (Shore A) 70		0.00	1.50	0.40
					Date of Approval		Colour Black		1.50	2.50	0.50
Revision A	Date of Issue 13/01/2022	Sheet Scale 1:1	Sheet Size A3	Sheet 1/1	Projection 3rd Agl.	Weight (g/m) 1.732		2.50	4.00	0.70	
								4.00	6.30	0.80	
								6.30	10.00	1.00	
								10.00	16.00	1.30	
								16.00	25.00	1.60	
								25.00	40.00	2.00	
								40.00	63.00	2.50	
								63.00	100.00	3.20	
								100.00		3.20%	


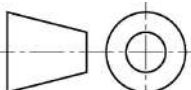


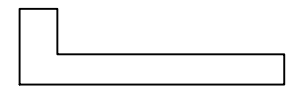
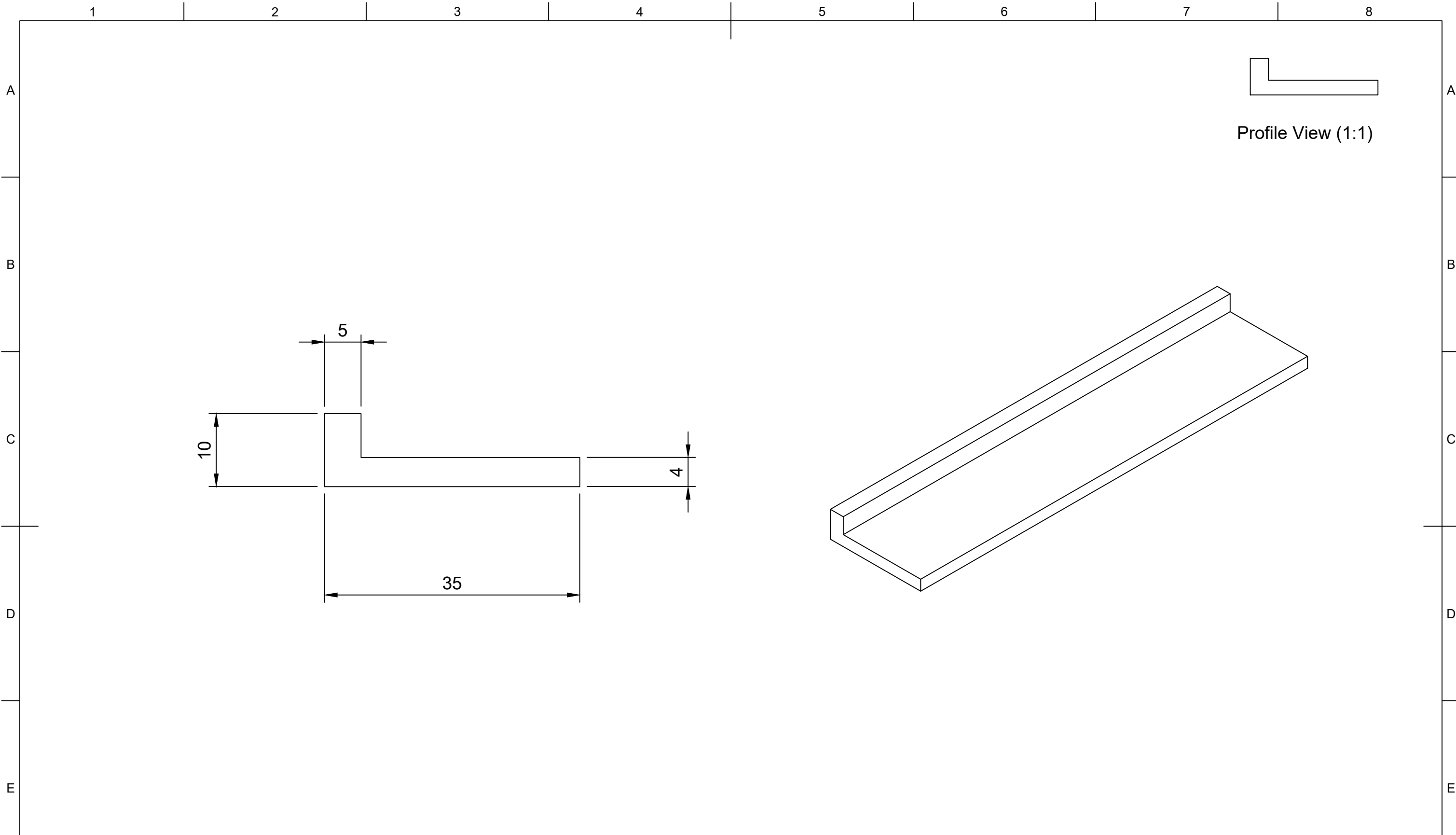




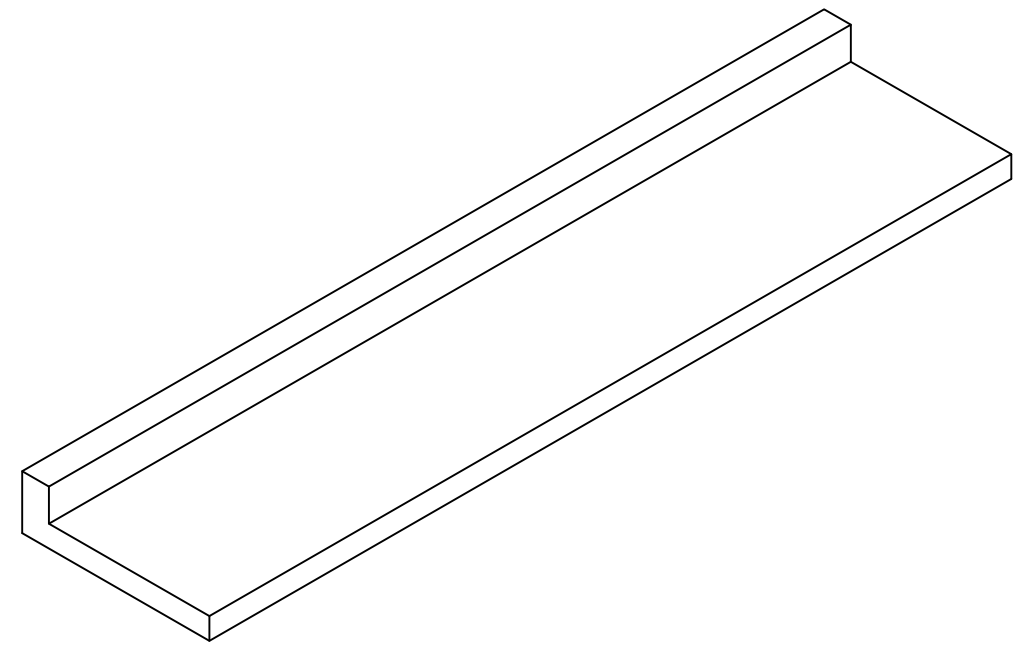
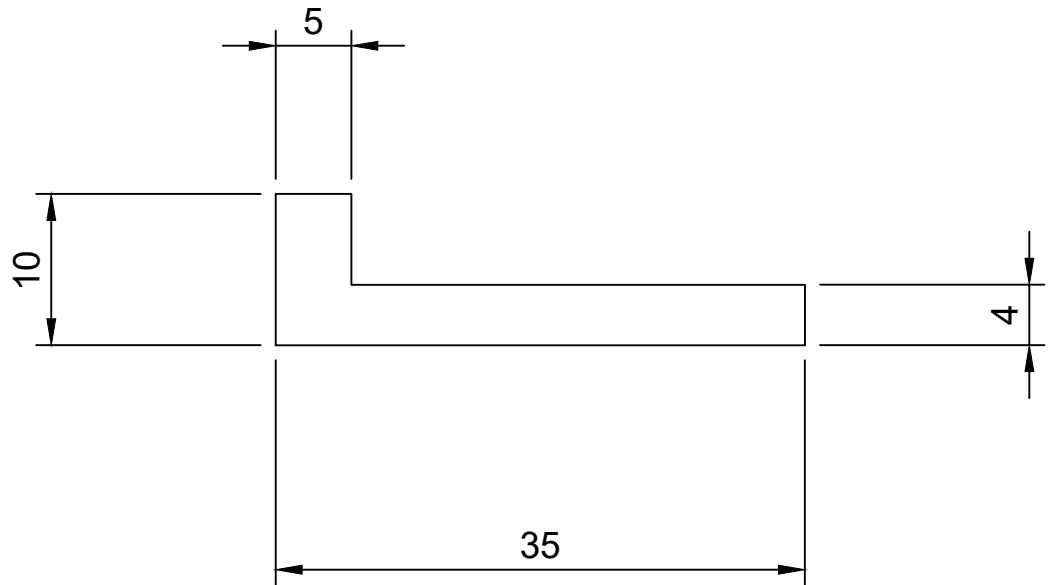
Profile View

NE Isometric View

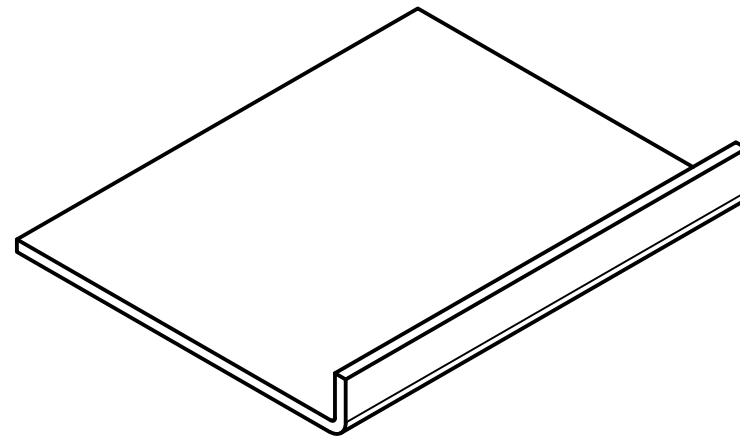
	<b>Part Number</b>				<b>Created By</b>		<b>Cross Sectional Area (mm<sup>2</sup>)</b>		<b>Nominal Dimension (mm)</b>		<b>Tolerance, ± (mm)</b>
	209617				David Stirling		1035		<b>Greater Than</b>	<b>Less Than or Equal to</b>	
	<b>Description</b>				<b>Date Drawn</b>		<b>Material</b>		0.00	1.50	0.40
					13/01/2022		Neoprene		1.50	2.50	0.50
	Right Angle Section				<b>Approved By</b>		<b>Hardness (Shore A)</b>		2.50	4.00	0.70
							70		4.00	6.30	0.80
							<b>Date of Approval</b>		<b>Colour</b>		6.30
							Black		10.00	16.00	1.30
							<b>Projection</b>		<b>Weight (kg/m)</b>		16.00
					3rd Agl. 		1.560		25.00	40.00	2.00
<b>Revision</b>	<b>Date of Issue</b>	<b>Sheet Scale</b>	<b>Sheet Size</b>	<b>Sheet</b>					40.00	63.00	2.50
A	13/01/2022	1:1	A3	1/1			63.00	100.00	3.20		
							100.00		3.20%		



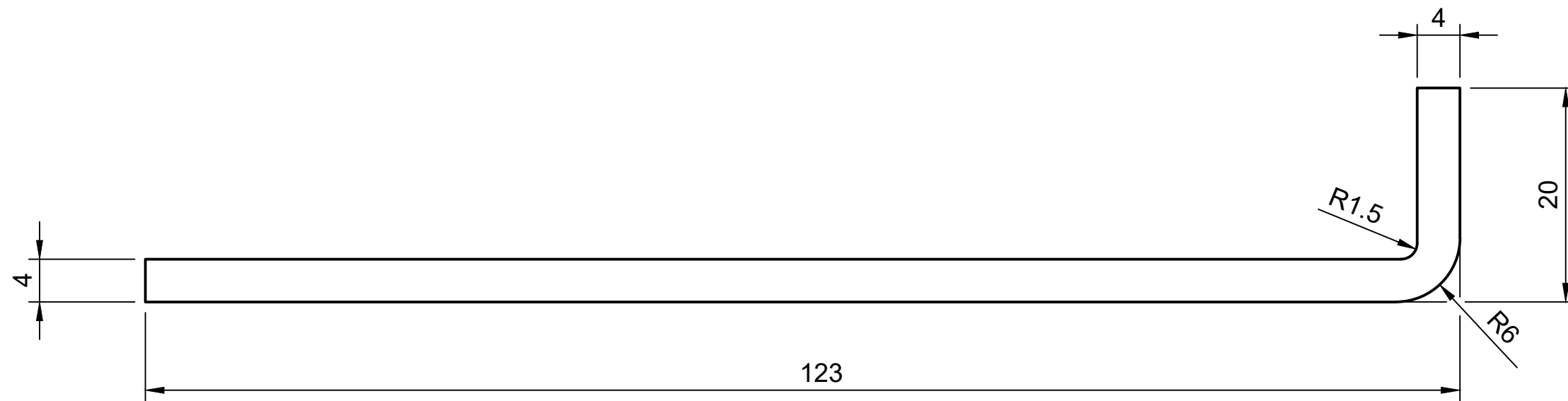
Profile View (1:1)




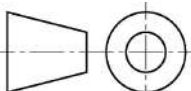
	<b>Part Number</b>				<b>Created By</b>		<b>Cross Sectional Area (mm<sup>2</sup>)</b>		<b>Nominal Dimension (mm)</b>		<b>Tolerance, ± (mm)</b>
	203285				David Stirling		170		<b>Greater Than</b>	<b>Less Than or Equal to</b>	
	<b>Description</b>				<b>Date Drawn</b>		<b>Material</b>		0.00	1.50	0.40
					02/04/2020		Neoprene		1.50	2.50	0.50
	Right Angle Section				<b>Approved By</b>		<b>Hardness (Shore A)</b>		2.50	4.00	0.70
					Isaac Erskine		70		4.00	6.30	0.80
					<b>Date of Approval</b>		<b>Colour</b>		6.30	10.00	1.00
					29/03/2023		Black		10.00	16.00	1.30
	<b>Revision</b>				<b>Projection</b>		<b>Weight (g/m)</b>		16.00	25.00	1.60
	A	13/01/2022	2:1	A3	1/1	3rd Agl.	260		25.00	40.00	2.00
								40.00	63.00	2.50	
								63.00	100.00	3.20	
								100.00		3.20%	



NE Isometric View (1:2)



Profile View

	Part Number				Created By		Cross Sectional Area (mm <sup>2</sup> )		Nominal Dimension (mm)		Tolerance, ± (mm)
	209747				Kevin George		556		Greater Than	Less Than or Equal to	
	Description				Date Drawn		Material		0.00		0.40
	Right Angle				28/07/2022		EPDM		1.50		0.50
	Revision				Approved By		Hardness (Shore A)		2.50		0.70
	A				Isaac Erskine		70		4.00		0.80
	Date of Issue				Date of Approval		Colour		6.30		1.00
	28/07/2022				05/09/2022		Black		10.00		1.30
	Sheet Scale				Projection		Weight (g/m)		16.00		1.60
	2:1				3rd Agl. 		701		25.00		2.00
Sheet Size								40.00		2.50	
A3								63.00		3.20	
Sheet								63.00		3.20	
1/1								100.00		3.20%	