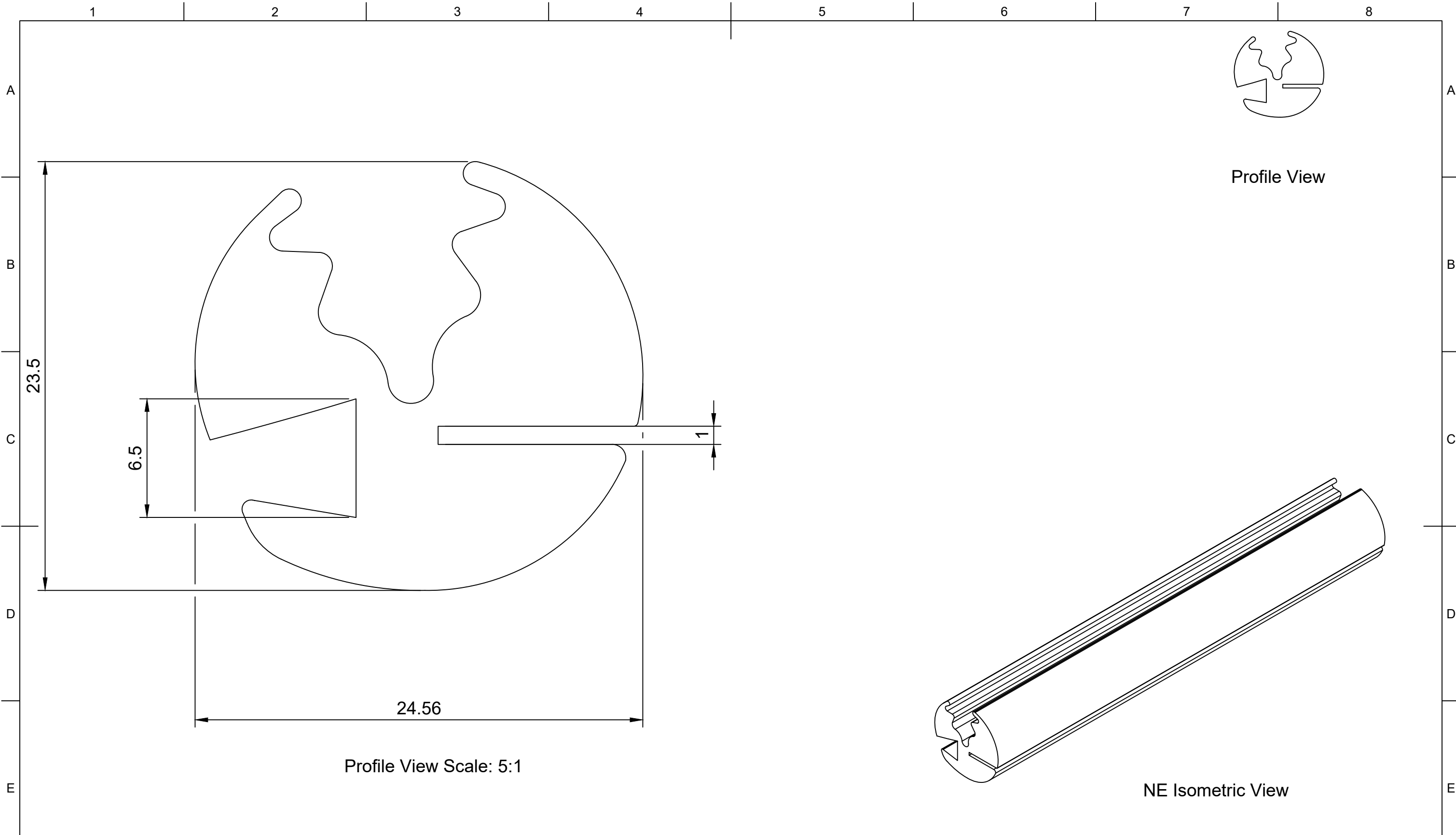

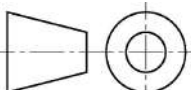
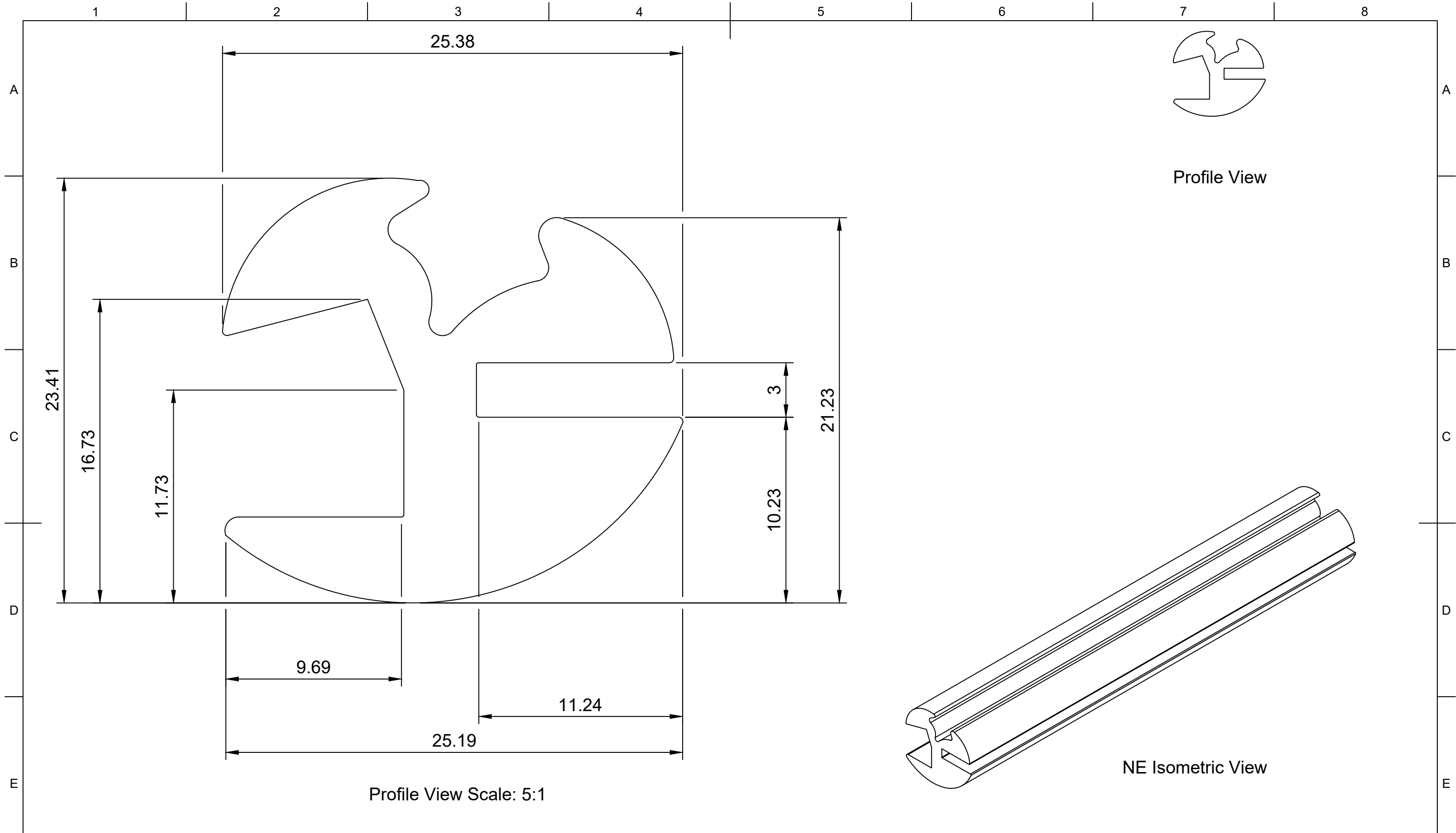




Panel Seals



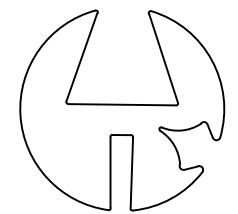
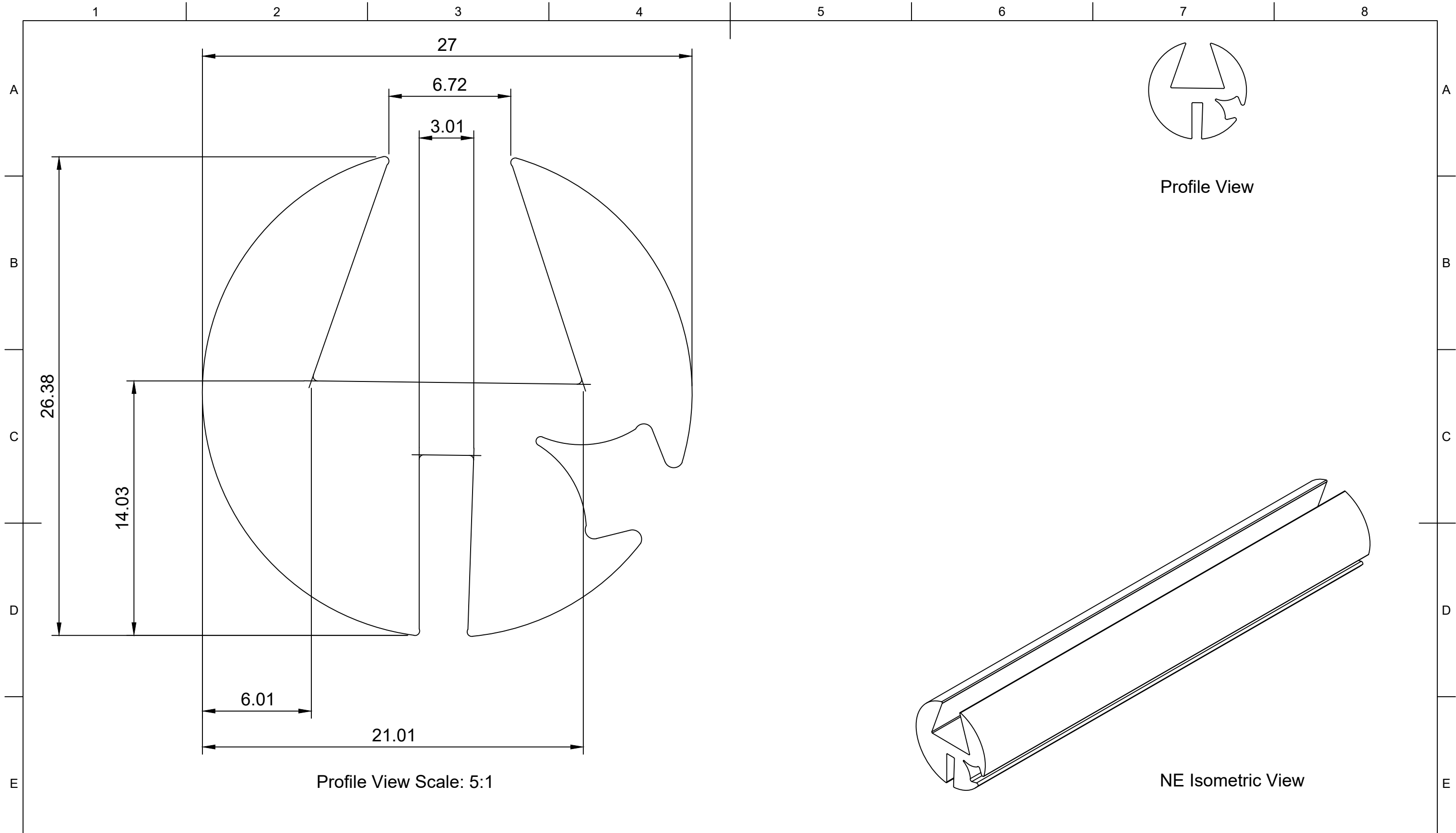
	Part Number				Created By		Cross Sectional Area (mm²)		Nominal Dimension (mm)		Tolerance, ± (mm)
	200577				David Stirling		324		Greater Than	Less Than or Equal to	
	Description				Date Drawn		Material		0.00		0.40
	Panel Seal				08/06/2020		EPDM		1.50		0.50
	Revision				Approved By		Hardness (Shore A)		2.50		0.70
	A				Date of Approval		70		4.00		0.80
	Date of Issue				Projection		Colour		6.30		1.00
	26/01/2022				3rd Agl. 		Black		10.00		1.30
	Sheet Scale				Sheet Size		Weight (g/m)		16.00		1.60
	1:1				A3		408		25.00		2.00
Sheet								40.00		2.50	
1/1								63.00		3.20	
								100.00		3.20%	



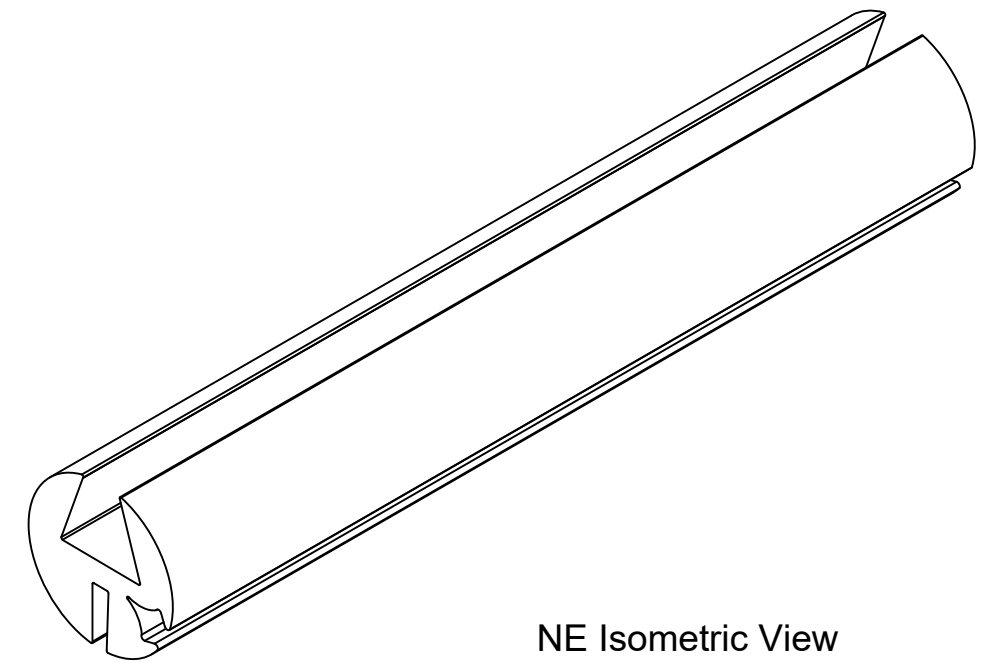
Profile View Scale: 5:1

NE Isometric View

	Part Number				Created By		Cross Sectional Area (mm ²)		Nominal Dimension (mm)		Tolerance, ± (mm)
	201406				David Stirling		297		Greater Than	Less Than or Equal to	
	Description				Date Drawn		Material		0.00		0.40
	Panel Seal				10/06/2020		EPDM		1.50		0.50
	Revision				Approved By		Hardness (Shore A)		2.50		0.70
	A				Date of Approval		70		4.00		0.80
	Date of Issue				Date of Approval		Colour		6.30		1.00
	26/01/2022				Date of Approval		Black		10.00		1.30
	Sheet Scale				Projection		Weight (g/m)		16.00		1.60
	1:1				3rd Agl.		374		25.00		2.00
Sheet Size								40.00		2.50	
A3								63.00		3.20	
Sheet								100.00		3.20%	
1/1											



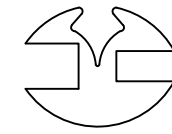
Profile View



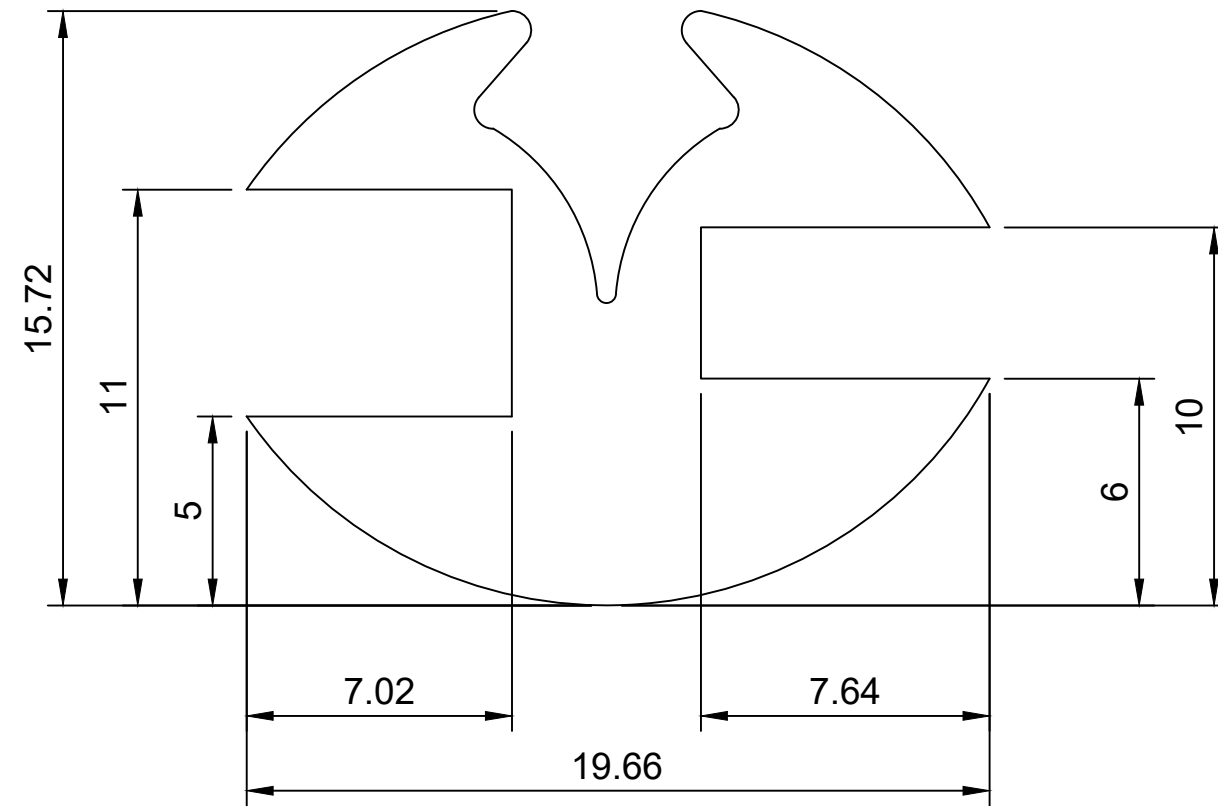
NE Isometric View

Profile View Scale: 5:1

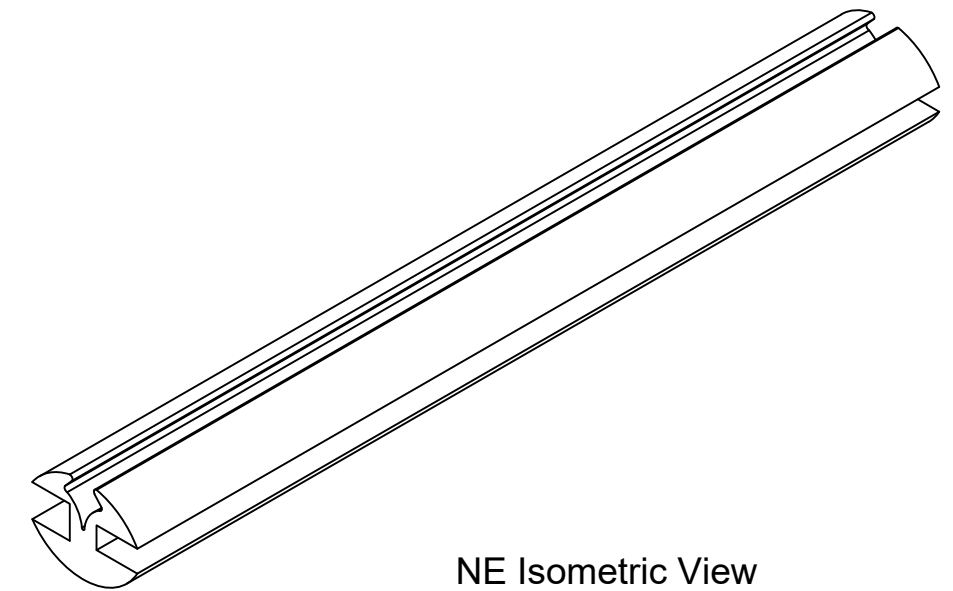
	Part Number				Created By		Cross Sectional Area (mm ²)		Nominal Dimension (mm)		Tolerance, ± (mm)
	201496				David Stirling		379		Greater Than	Less Than or Equal to	
	Description				Date Drawn		Material		0.00	1.50	0.40
	Panel Seal				10/06/2020		EPDM		1.50	2.50	0.50
				Approved By		Hardness (Shore A)		2.50	4.00	0.70	
				Date of Approval		70		4.00	6.30	0.80	
				Projection		Colour		6.30	10.00	1.00	
				3rd Agl.		Black		10.00	16.00	1.30	
Revision				Date of Issue		Weight (g/m)		16.00	25.00	1.60	
A				26/01/2022		478		25.00	40.00	2.00	
Sheet Scale				Sheet Size				40.00	63.00	2.50	
1:1				A3				63.00	100.00	3.20	
Sheet				Sheet				100.00		3.20%	
1/1											



Profile View


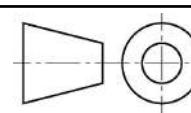


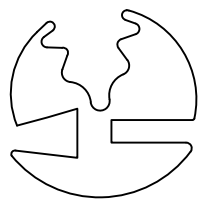
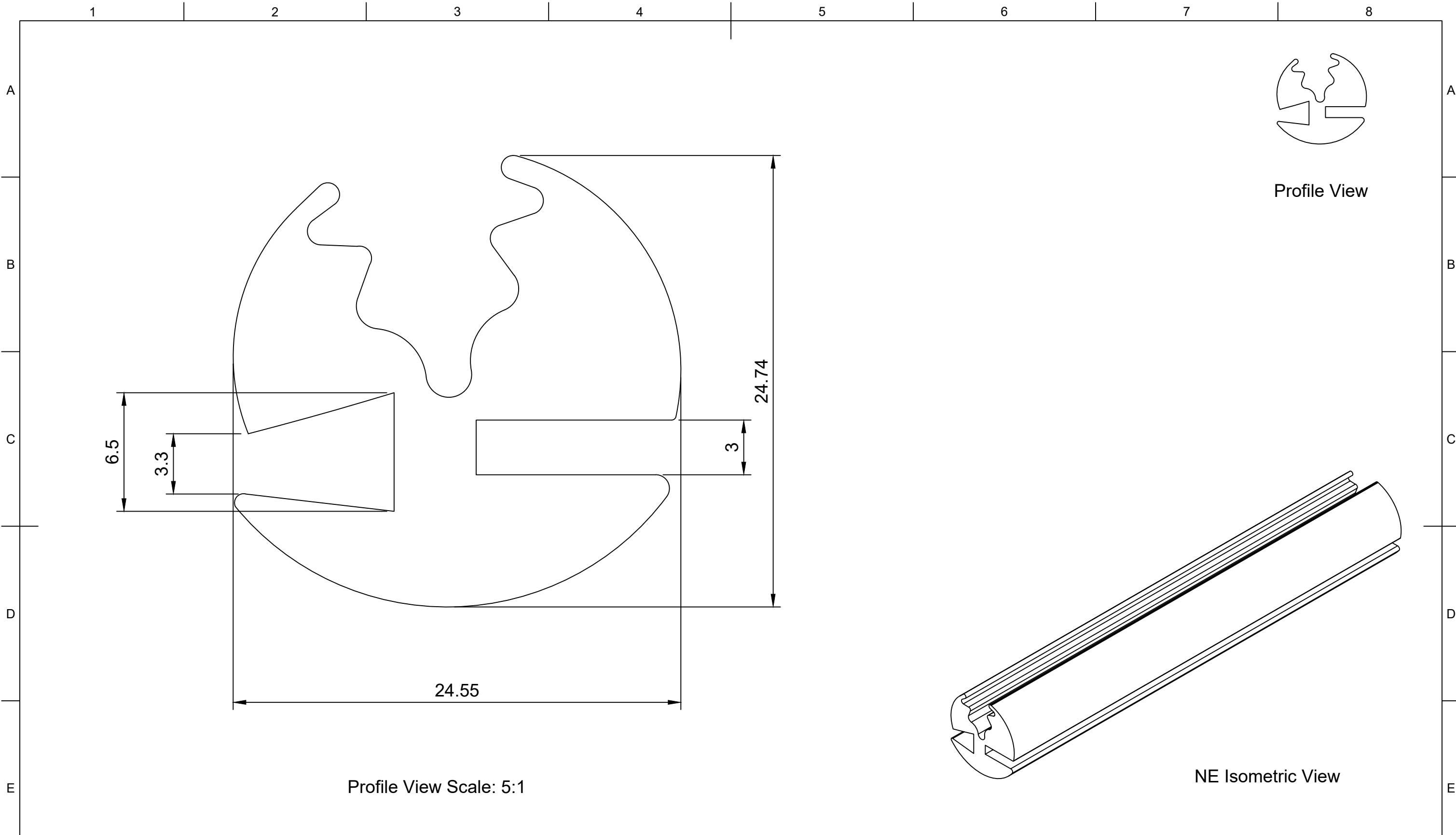
Profile View Scale: 5:1



NE Isometric View



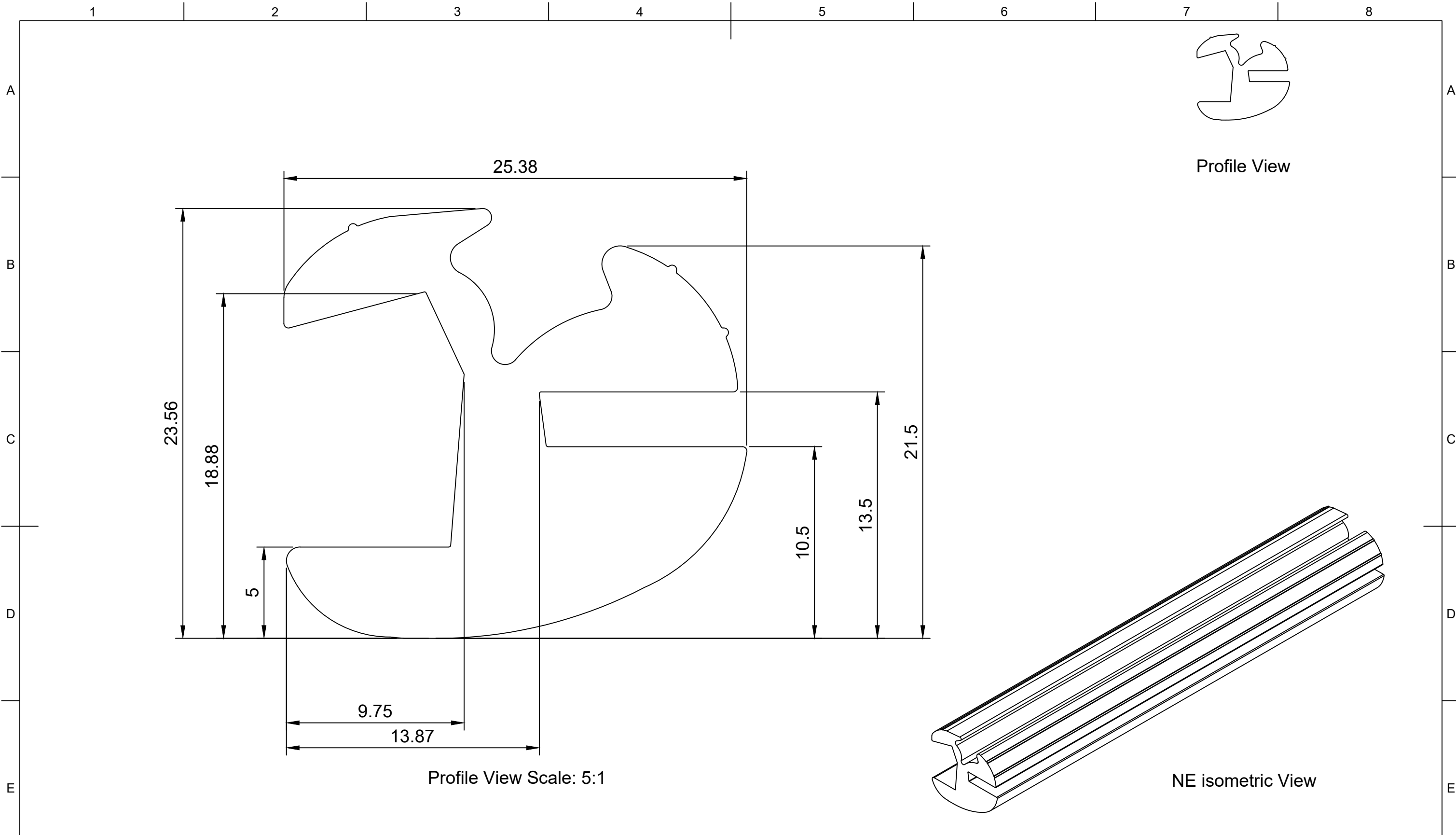
	Part Number				Created By		Cross Sectional Area (mm²)		Nominal Dimension (mm)		Tolerance, ± (mm)
	202285				David Stirling		150		Greater Than	Less Than or Equal to	
	Description				Date Drawn		Material		0.00		0.40
	Panel Seal				09/06/2020		EPDM		1.50		0.50
	Revision				Approved By		Hardness (Shore A)		2.50		0.70
	A				Date of Approval		70		4.00		0.80
	Date of Issue				Projection		Colour		6.30		1.00
	26/01/2022				3rd Agl. 		Black		10.00		1.30
	Sheet Scale				Sheet Size		Weight (g/m)		16.00		1.60
	1:1				A3		189		25.00		2.00
Sheet								40.00		2.50	
1/1								63.00		3.20	
								100.00		3.20%	



Profile View



Part Number	202495				Created By	David Stirling	Cross Sectional Area (mm²)	335		Nominal Dimension (mm)		Tolerance, ± (mm)
					Date Drawn	26/09/2020	Material	EPDM	Greater Than	Less Than or Equal to	0.00	
Description	Panel Seal				Approved By		Hardness (Shore A)	70		1.50	2.50	0.50
					Date of Approval		Colour	Black	2.50	4.00	0.70	4.00
Revision	Date of Issue	Sheet Scale	Sheet Size	Sheet	Projection	3rd Agl.	Weight (g/m)	422		6.30	10.00	1.30
A	26/01/2022	1:1	A3	1/1			16.00	25.00	1.60	25.00	40.00	2.00
										40.00	63.00	2.50
										63.00	100.00	3.20
										100.00		3.20%

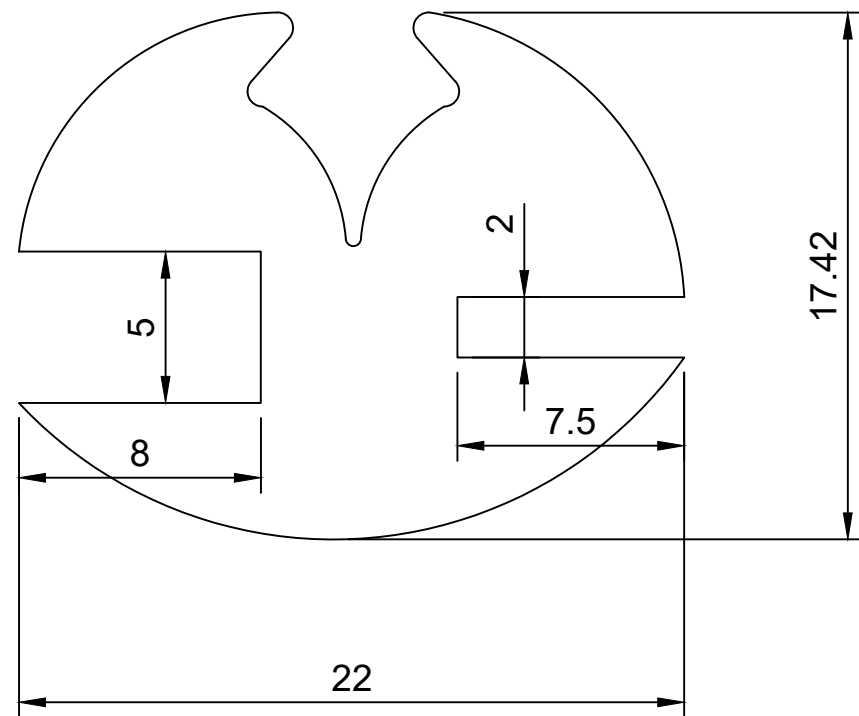


Profile View Scale: 5:1

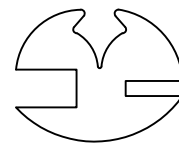
NE isometric View

	Part Number				Created By		Cross Sectional Area (mm²)		Nominal Dimension (mm)		Tolerance, ± (mm)
	202780				David Stirling		301		Greater Than	Less Than or Equal to	
	Description				Date Drawn		Material		0.00	1.50	0.40
	Panel Seal				10/06/2020		EPDM		1.50	2.50	0.50
	Revision				Approved By		Hardness (Shore A)		2.50	4.00	0.70
	A	Date of Issue		Sheet Scale	Sheet Size	Sheet	Date of Approval		4.00	6.30	0.80
		26/01/2022		1:1	A3	1/1	Colour		6.30	10.00	1.00
							Weight (g/m)		10.00	16.00	1.30
							3rd Agl.		16.00	25.00	1.60
							379		25.00	40.00	2.00
								40.00	63.00	2.50	
								63.00	100.00	3.20	
								100.00		3.20%	

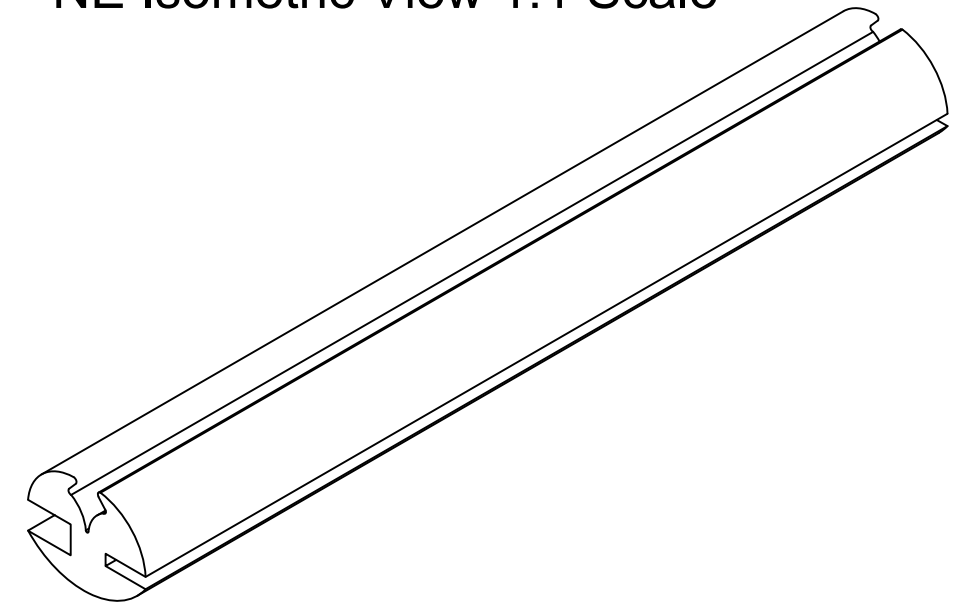
Profile View



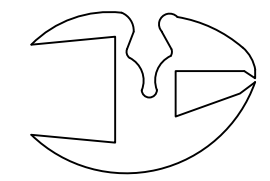
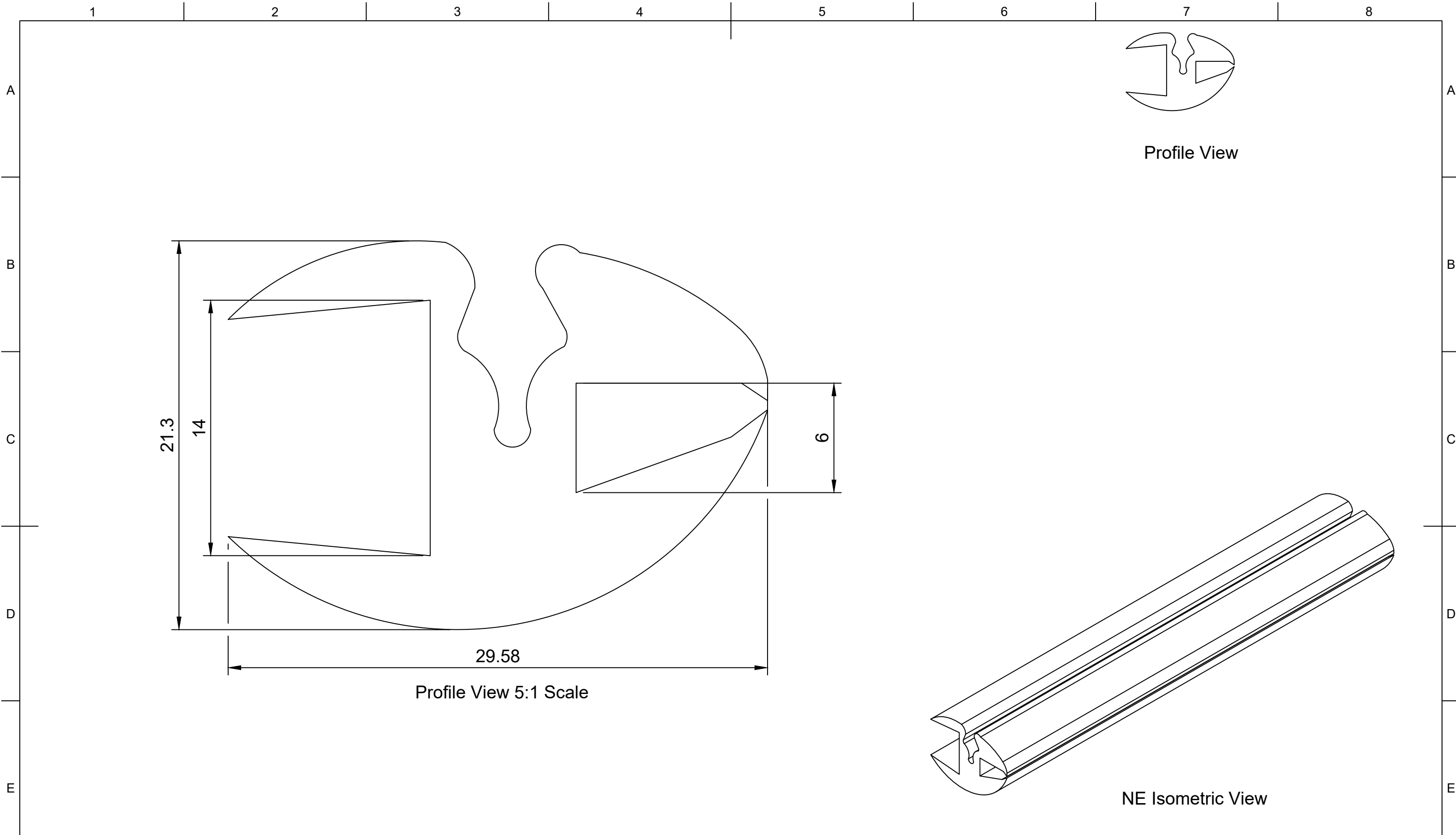
Profile View 1:1 Scale



NE Isometric View 1:1 Scale




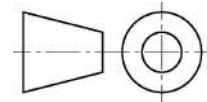
	Part Number				Created By		Cross Sectional Area (mm ²)		Nominal Dimension (mm)		Tolerance, ± (mm)
	203319				David Stirling		199		Greater Than	Less Than or Equal to	
	Description				Date Drawn		Material		0.00		0.40
					27/03/2020		EPDM		1.50		0.50
	Panel Seal				Approved By		Hardness (Shore A)		2.50		0.70
					Date of Approval		70		4.00		0.80
	Revision				Date of Issue		Projection		6.30		1.00
									10.00		1.30
	A				26/01/2022		3rd Agl.		16.00		1.60
									25.00		2.00
Sheet Scale				Sheet Size		Sheet		40.00		2.50	
								63.00		3.20	
4:1				A3		1/1		100.00		3.20%	

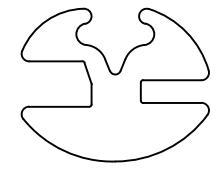


Profile View

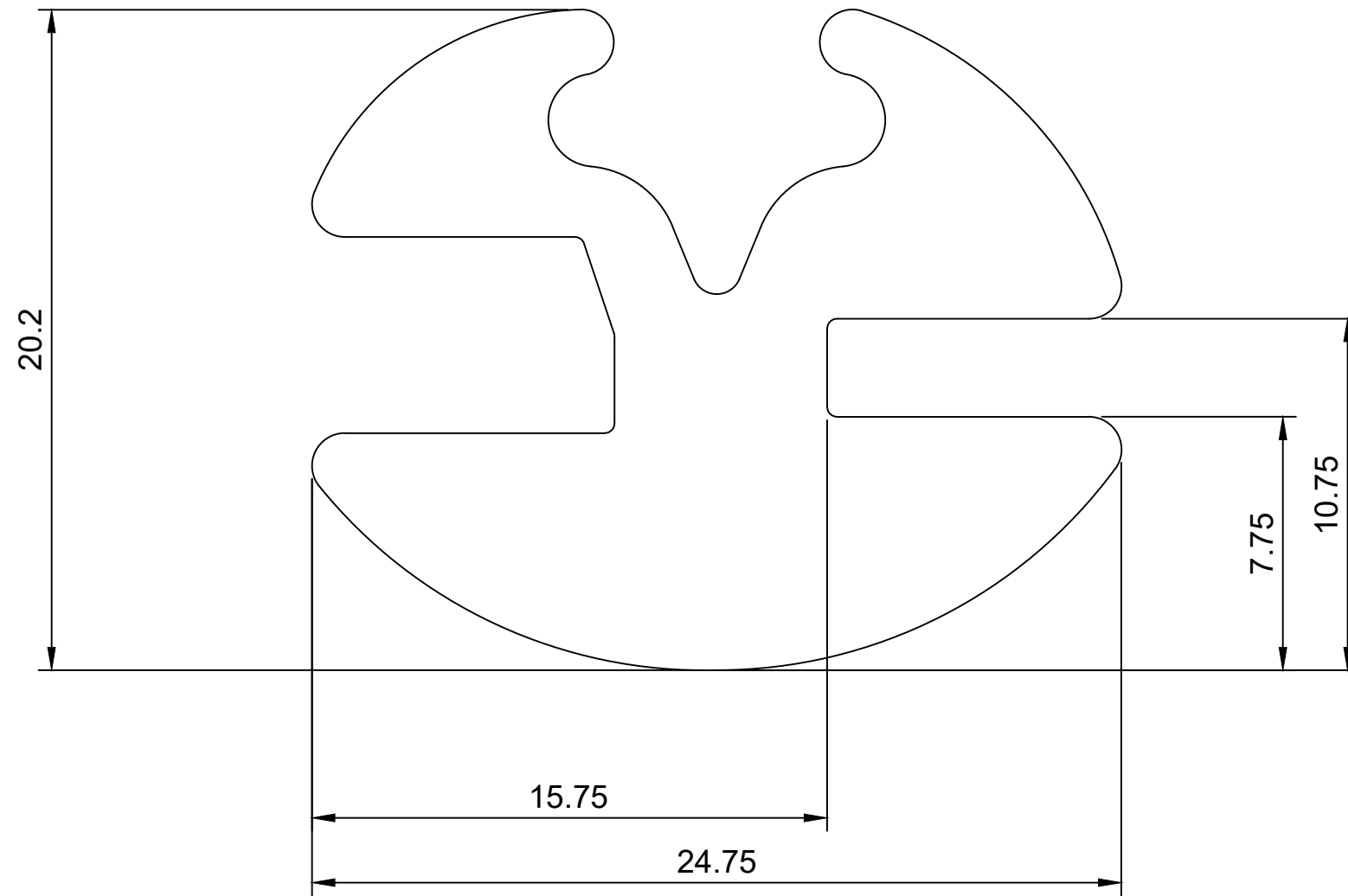
Profile View 5:1 Scale

NE Isometric View

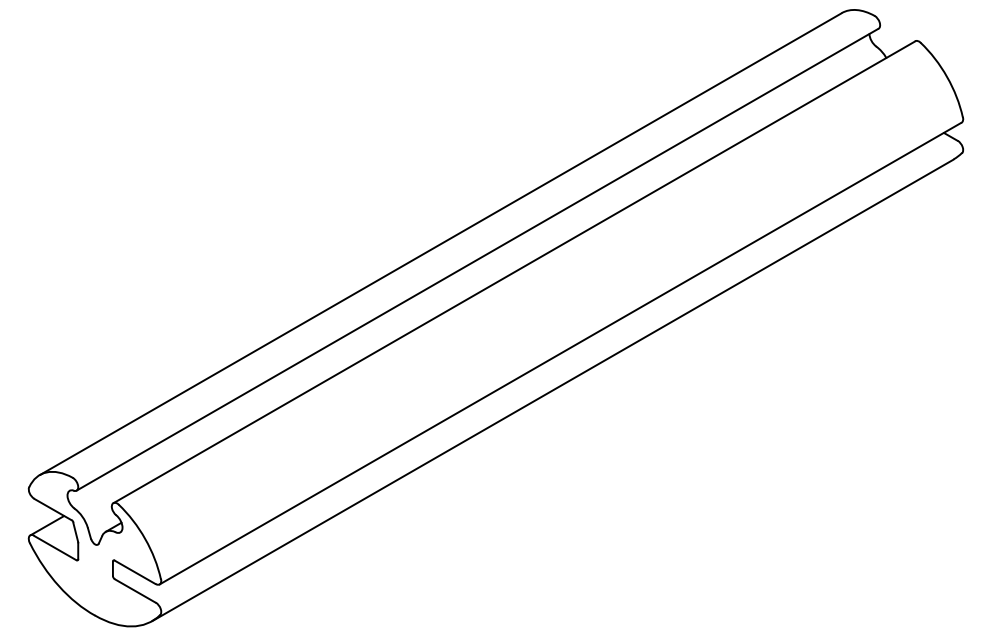
	Part Number				Created By		Cross Sectional Area (mm²)		Nominal Dimension (mm)		Tolerance, ± (mm)
	204410				David Stirling		287		Greater Than	Less Than or Equal to	
					Date Drawn		Material		0.00	1.50	0.40
					13/06/2020		EPDM		1.50	2.50	0.50
	Description				Approved By		Hardness (Shore A)		2.50	4.00	0.70
	Panel Seal						70		4.00	6.30	0.80
					Date of Approval		Colour		6.30	10.00	1.00
							Black		10.00	16.00	1.30
	Revision	Date of Issue	Sheet Scale	Sheet Size	Sheet	Projection	Weight (g/m)		16.00	25.00	1.60
	A	26/01/2022	1:1	A3	1/1	3rd Agl. 	362		25.00	40.00	2.00
									40.00	63.00	2.50
									63.00	100.00	3.20
									100.00		3.20%



Profile View

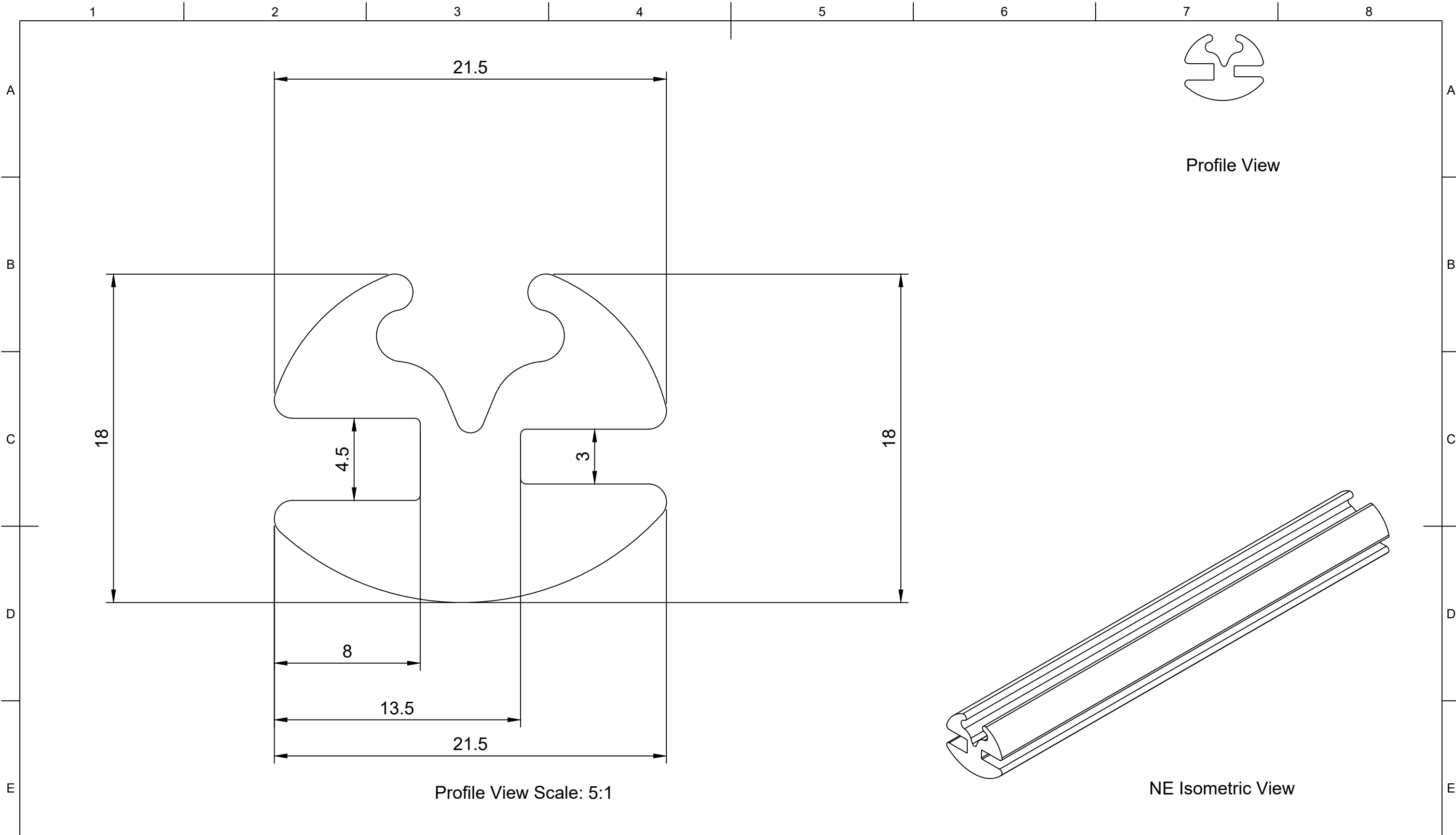


Profile View Scale: 5:1



NE Isometric View

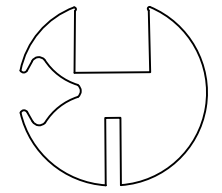
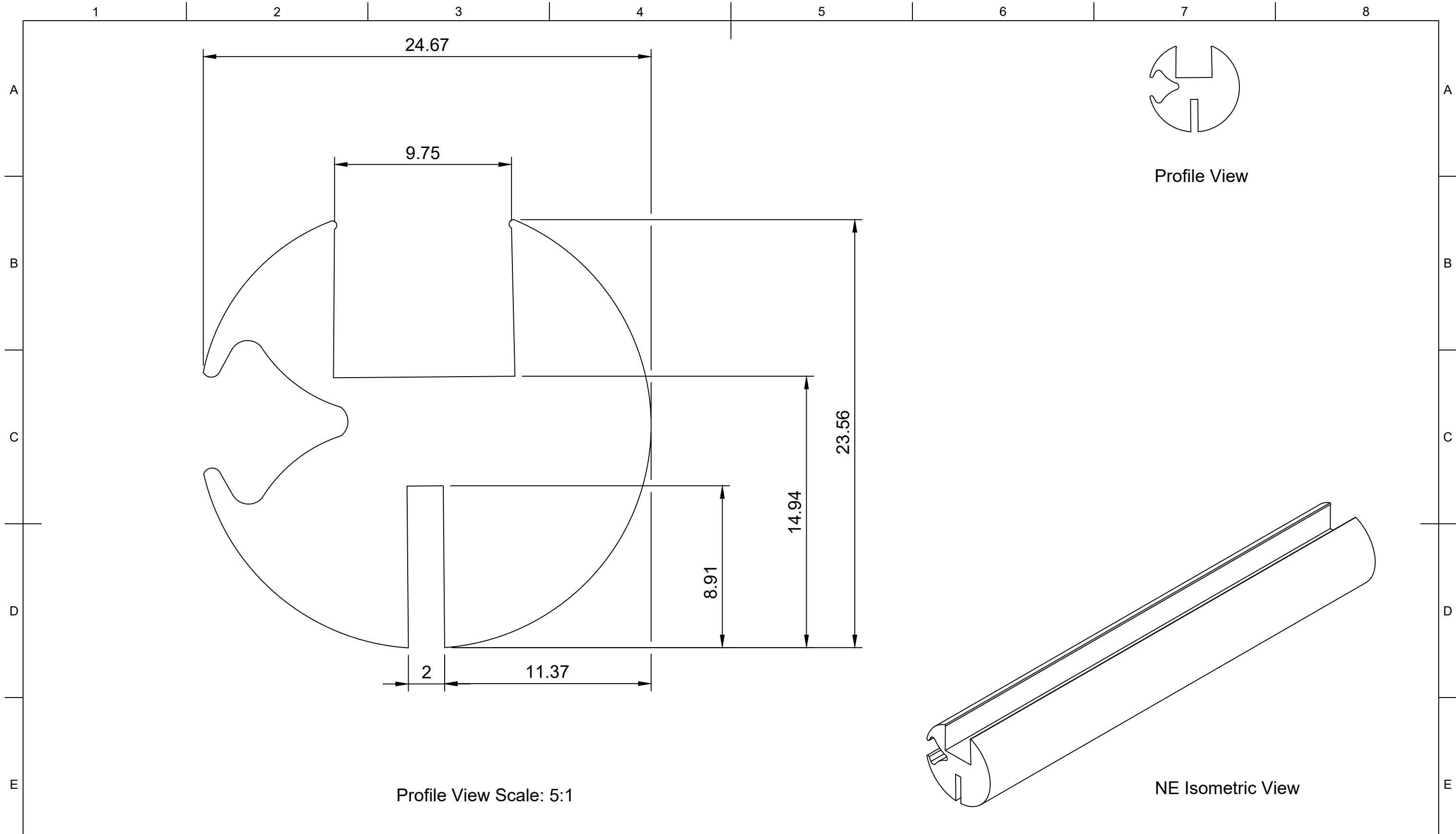
	Part Number				Created By		Cross Sectional Area (mm²)		Nominal Dimension (mm)		Tolerance, ± (mm)			
	204672				David Stirling		286		Greater Than	Less Than or Equal to				
	Description				Date Drawn		Material		0.00	1.50	0.40			
	Panel Seal				26/09/2020		EPDM		1.50	2.50	0.50			
	Revision				Approved By		Hardness (Shore A)		2.50	4.00	0.70			
	A	Date of Issue		Sheet Scale		Sheet Size		Sheet		Date of Approval		4.00	6.30	0.80
		26/01/2022		1:1		A3		1/1		Colour		6.30	10.00	1.00
										Weight (g/m)		10.00	16.00	1.30
										3rd Agl.		16.00	25.00	1.60
										360		25.00	40.00	2.00
											40.00	63.00	2.50	
											63.00	100.00	3.20	
											100.00		3.20%	



Profile View Scale: 5:1

NE Isometric View

	Part Number				Created By		Cross Sectional Area (mm ²)		Nominal Dimension (mm)		Tolerance, ± (mm)	
	205217				David Stirling		213		Greater Than	Less Than or Equal to		
	Description				Date Drawn		Material		0.00		0.40	
	Panel Seal				14/06/2020		EPDM		1.50		0.50	
	Revision				Date of Issue		Approved By		Hardness (Shore A)		2.50	
A				26/01/2022		Date of Approval		70		4.00		0.80
Sheet Scale				Sheet Size		Sheet		Colour		6.30		1.00
1:1				A3		1/1		Black		10.00		1.30
Projection				3rd Agl.		Weight (g/m)		16.00		25.00		1.60
				268		25.00		40.00		2.00		
								40.00		2.50		
								63.00		3.20		
								100.00		3.20%		

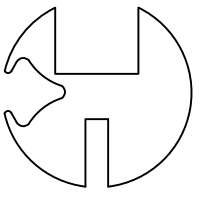
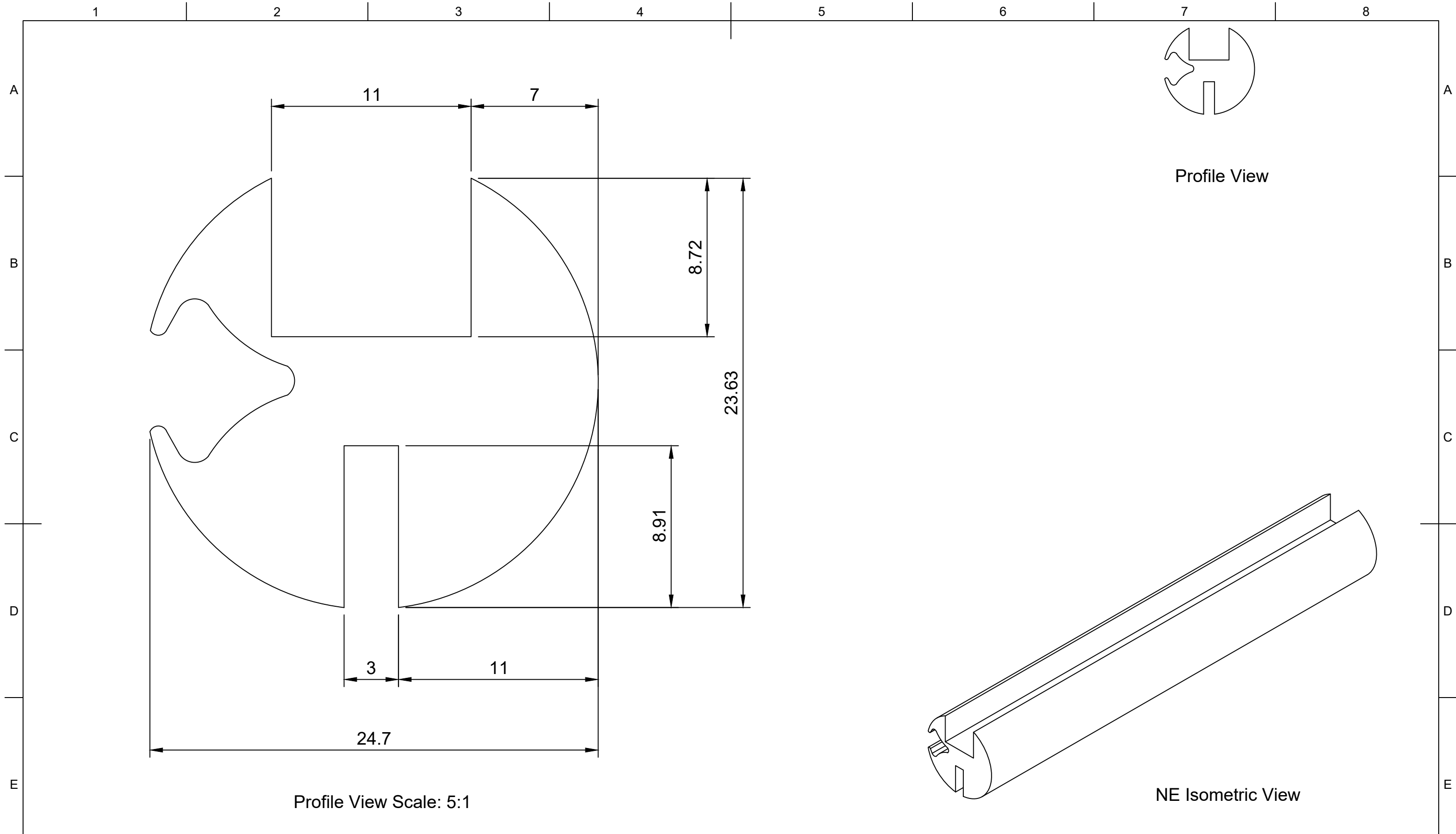


Profile View

Profile View Scale: 5:1

NE Isometric View

	Part Number				Created By		Cross Sectional Area (mm²)		Nominal Dimension (mm)		Tolerance, ± (mm)	
	205252				David Stirling		332		Greater Than	Less Than or Equal to		
	Description				Date Drawn		Material		0.00		0.40	
	Panel Seal				09/06/2020		EPDM		1.50		0.50	
	Revision				Approved By		Hardness (Shore A)		2.50		0.70	
	A	Date of Issue		Sheet Scale		Date of Approval		Colour		4.00		0.80
		26/01/2022		1:1				Black		6.30		1.00
				Sheet Size		Projection		Weight (g/m)		10.00		1.30
				A3		3rd Agl.		418		16.00		1.60
				1/1						25.00		2.00
									40.00		2.50	
									63.00		3.20	
									100.00		3.20%	

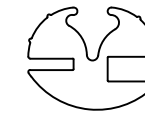


Profile View

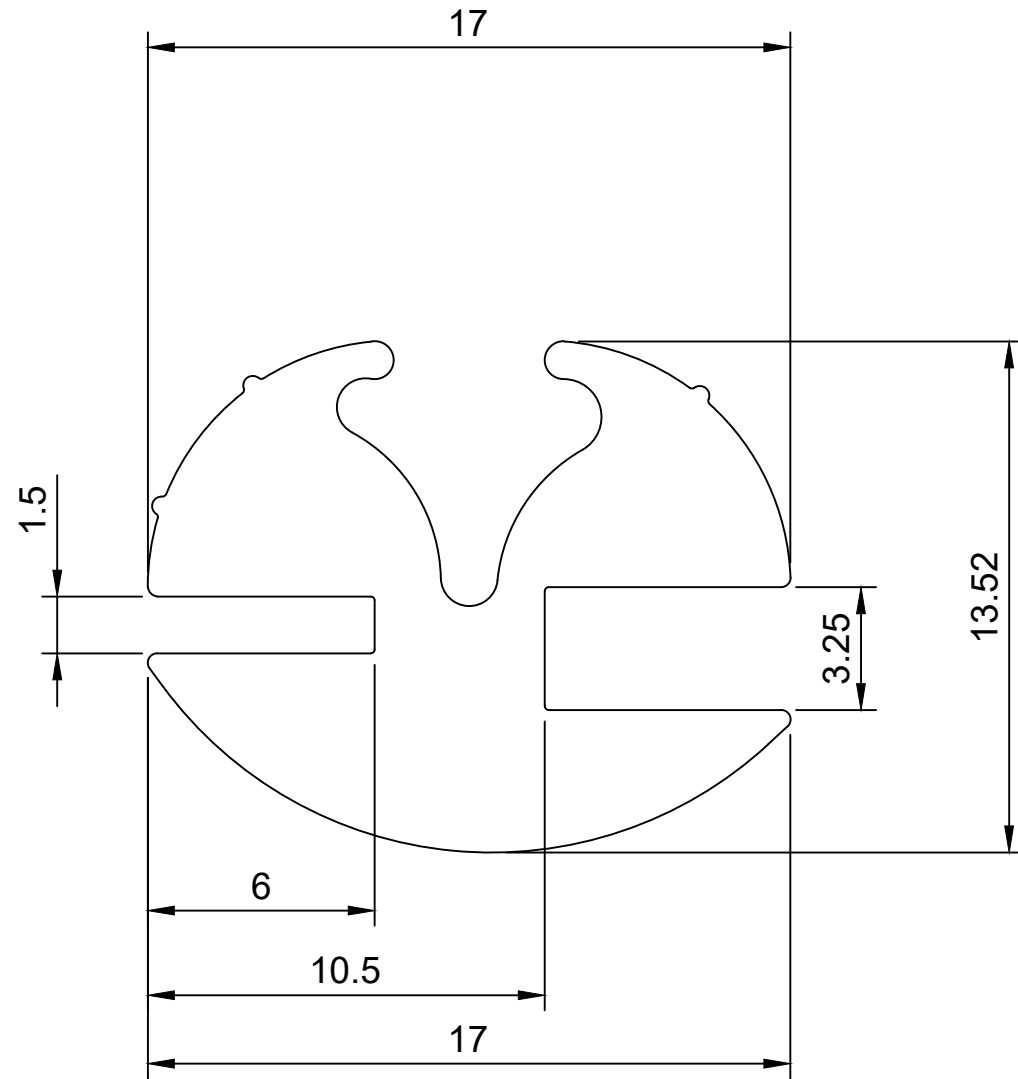
Profile View Scale: 5:1

NE Isometric View

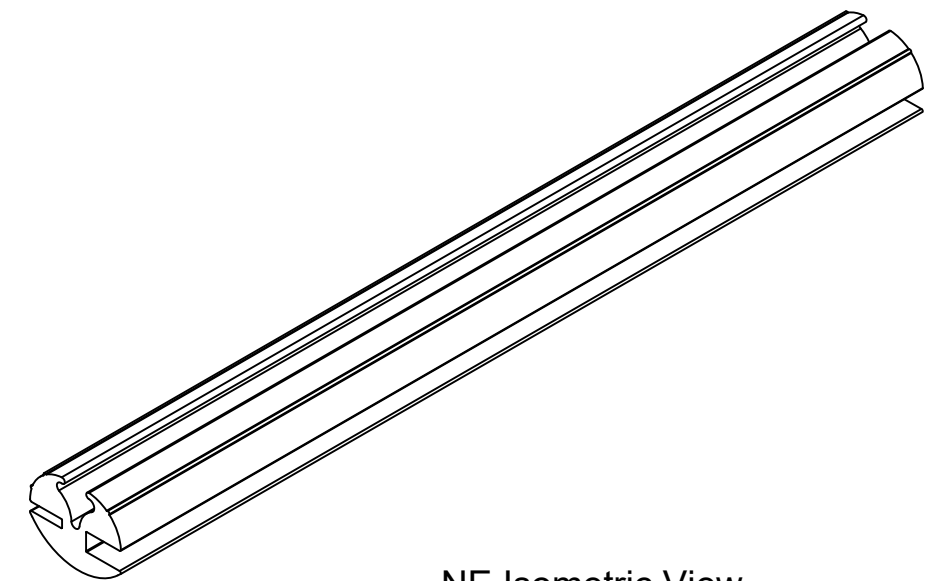
	Part Number				Created By		Cross Sectional Area (mm ²)		Nominal Dimension (mm)		Tolerance, ± (mm)
	205561				David Stirling		316		Greater Than	Less Than or Equal to	
	Description				Date Drawn		Material		0.00		0.40
	Panel Seal				09/06/2020		EPDM		1.50		0.50
	Revision				Approved By		Hardness (Shore A)		2.50		0.70
	A				Date of Approval		70		4.00		0.80
	Date of Issue				Projection		Colour		6.30		1.00
	Sheet Scale				3rd Agl.		Black		10.00		1.30
	Sheet Size						Weight (g/m)		16.00		1.60
	Sheet				1/1		398		25.00		2.00
								40.00		2.50	
								63.00		3.20	
								100.00		3.20%	



Profile View

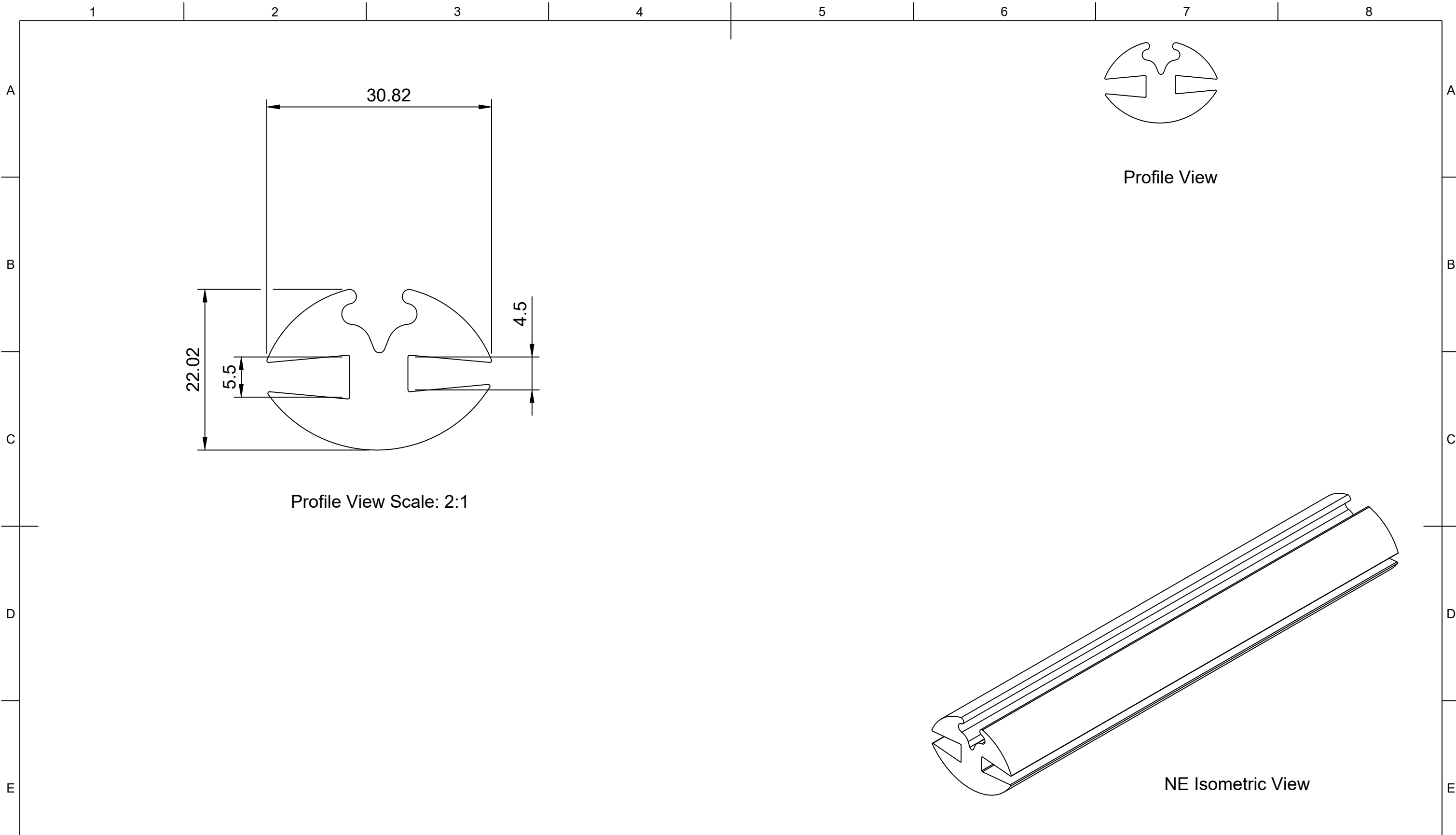



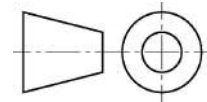
Profile View Scale: 5:1



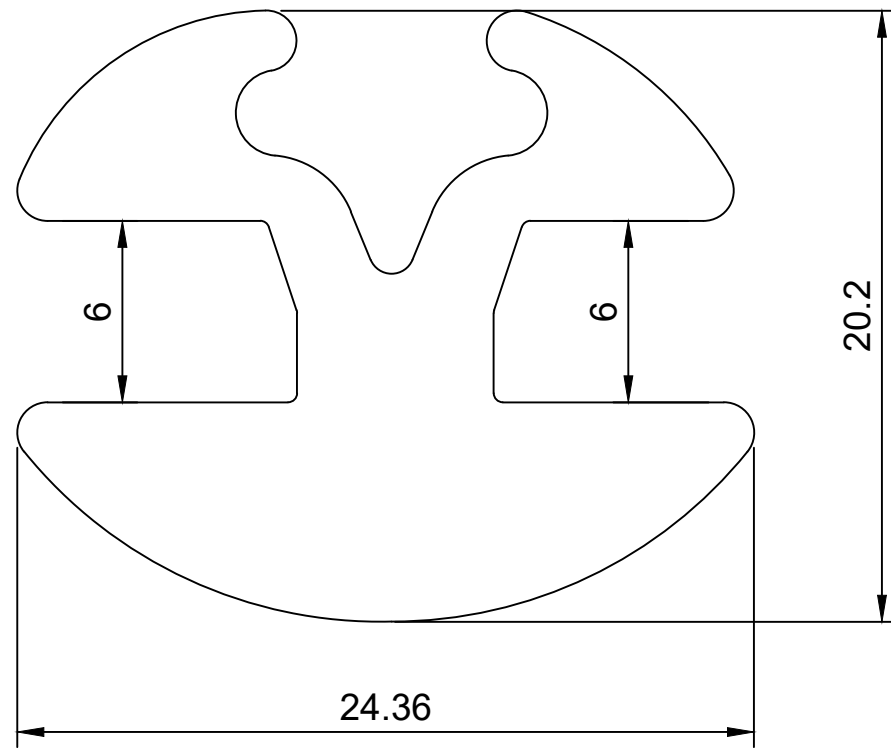
NE Isometric View

	Part Number				Created By		Cross Sectional Area (mm²)		Nominal Dimension (mm)		Tolerance, ± (mm)	
	206305				David Stirling		134		Greater Than	Less Than or Equal to		
	Description				Date Drawn		Material		0.00	1.50	0.40	
	Panel Seal				04/06/2020		EPDM		1.50	2.50	0.50	
	Revision				Approved By		Hardness (Shore A)		2.50	4.00	0.70	
	A	24/01/2022		1:1		Date of Approval		70		4.00	6.30	0.80
	Date of Issue		Sheet Scale		Sheet Size		Colour		6.30	10.00	1.00	
	24/01/2022		1:1		A3		Black		10.00	16.00	1.30	
	Sheet		Projection		Weight (g/m)		169		16.00	25.00	1.60	
	1/1		3rd Agl.						25.00	40.00	2.00	
								40.00	63.00	2.50		
								63.00	100.00	3.20		
								100.00		3.20%		

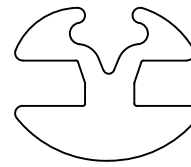


	Part Number				Created By		Cross Sectional Area (mm²)		Nominal Dimension (mm)		Tolerance, ± (mm)
	206734				David Stirling		373		Greater Than	Less Than or Equal to	
					Date Drawn		Material		0.00	1.50	0.40
					17/06/2020		EPDM		1.50	2.50	0.50
	Description				Approved By		Hardness (Shore A)		2.50	4.00	0.70
	Panel Seal						70		4.00	6.30	0.80
					Date of Approval		Colour		6.30	10.00	1.00
							Black		10.00	16.00	1.30
							Weight (g/m)		16.00	25.00	1.60
							470		25.00	40.00	2.00
Revision	Date of Issue	Sheet Scale	Sheet Size	Sheet	Projection			40.00	63.00	2.50	
A	26/01/2022	1:1	A3	1/1	3rd Agl. 			63.00	100.00	3.20	
								100.00		3.20%	

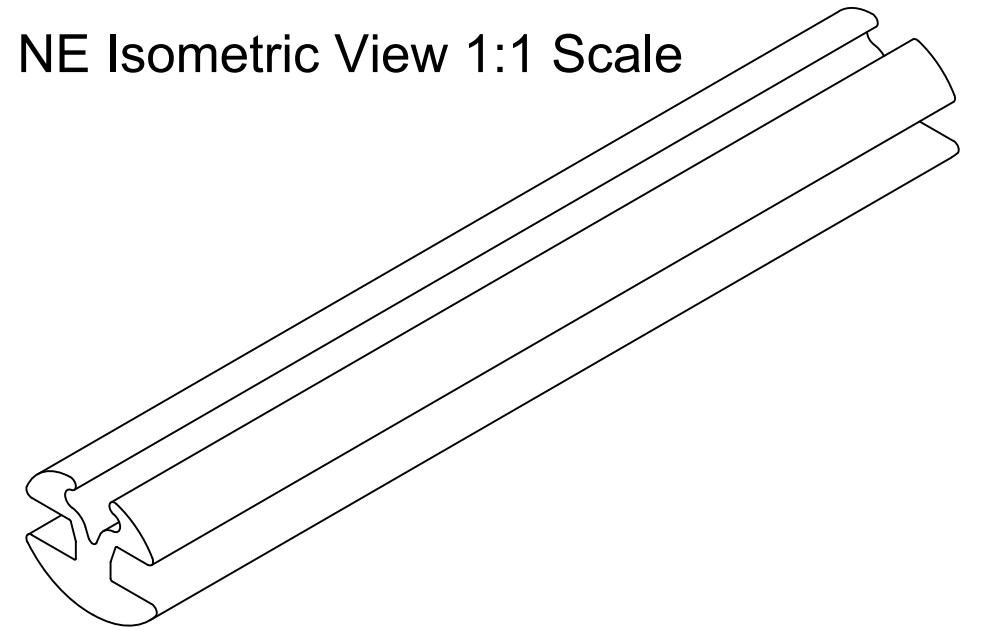
Profile View


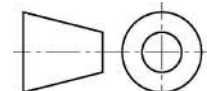


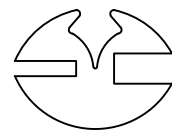
Profile View 1:1 Scale



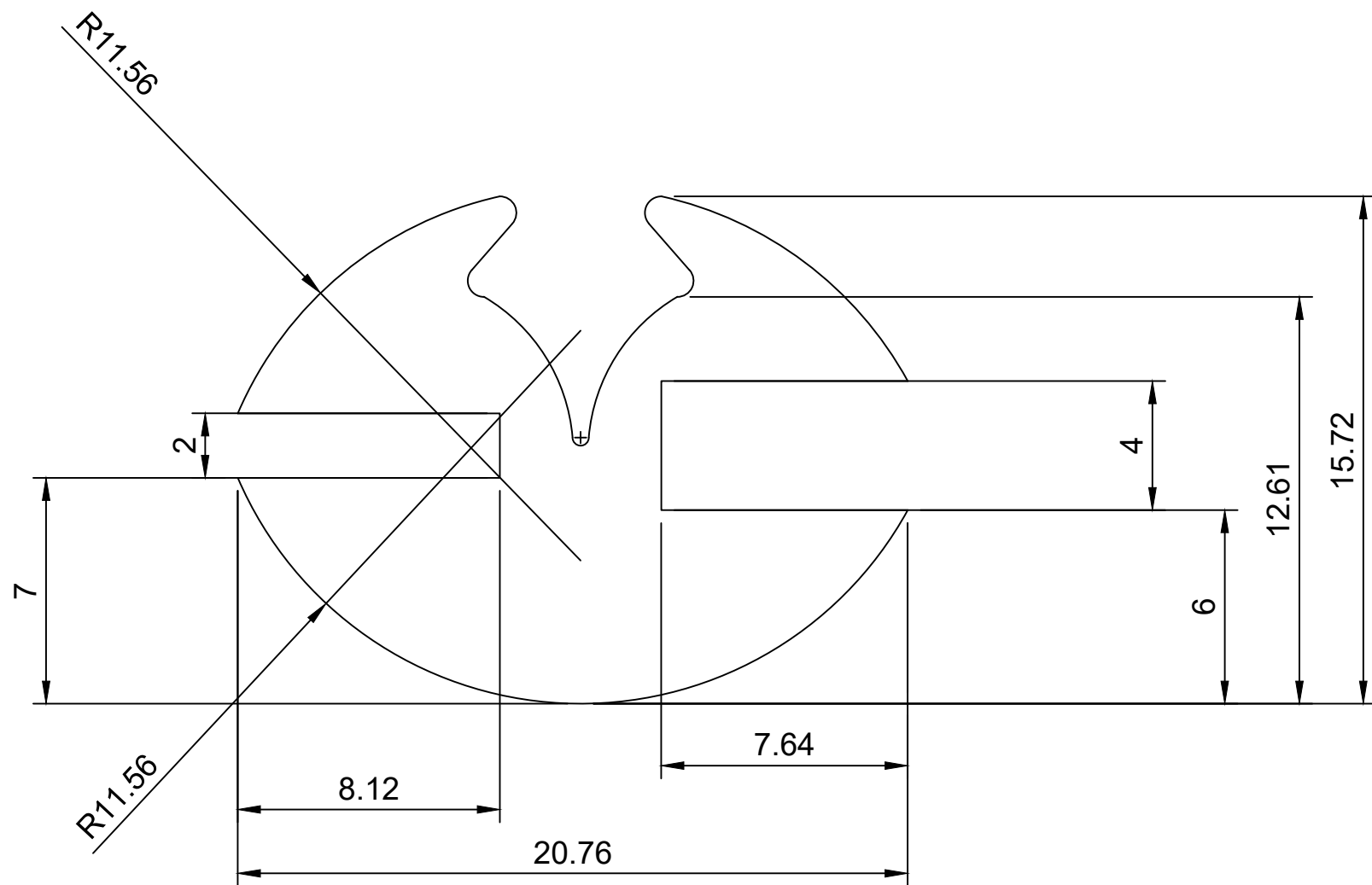
NE Isometric View 1:1 Scale



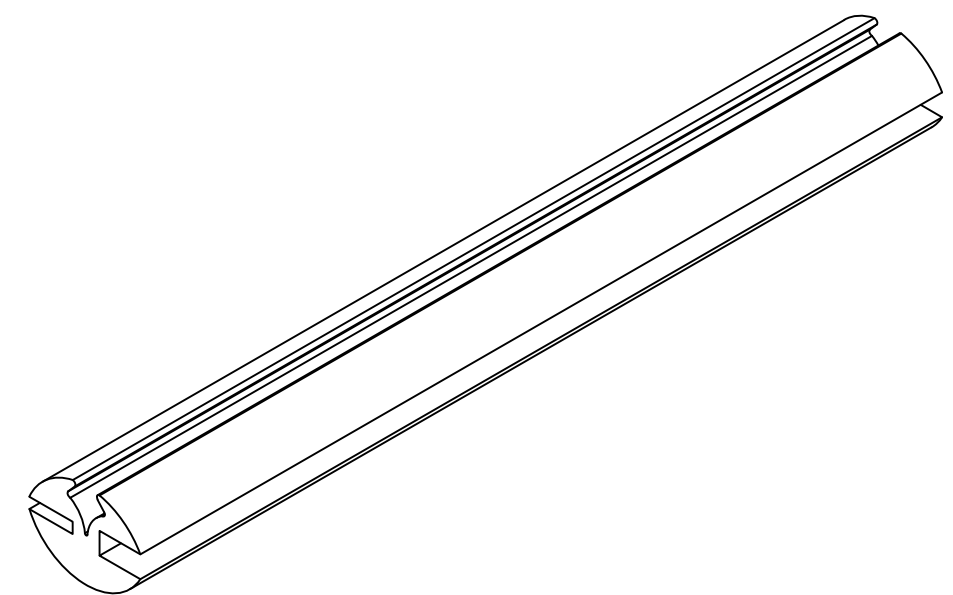
	Part Number				Created By		Cross Sectional Area (mm²)		Nominal Dimension (mm)		Tolerance, ± (mm)
	206735				David Stirling		260		Greater Than	Less Than or Equal to	
	Description				Date Drawn		Material		0.00	1.50	0.40
	Panel Seal				26/03/2020		EPDM		1.50	2.50	0.50
	Revision				Approved By		Hardness (Shore A)		2.50	4.00	0.70
	A	Date of Issue		Sheet Scale	Sheet Size	Sheet	Date of Approval		4.00	6.30	0.80
		26/01/2022		4:1	A3	1/1	3rd Agl. 		6.30	10.00	1.00
							Weight (g/m)		10.00	16.00	1.30
							328		16.00	25.00	1.60
									25.00	40.00	2.00
								40.00	63.00	2.50	
								63.00	100.00	3.20	
								100.00		3.20%	



Profile View

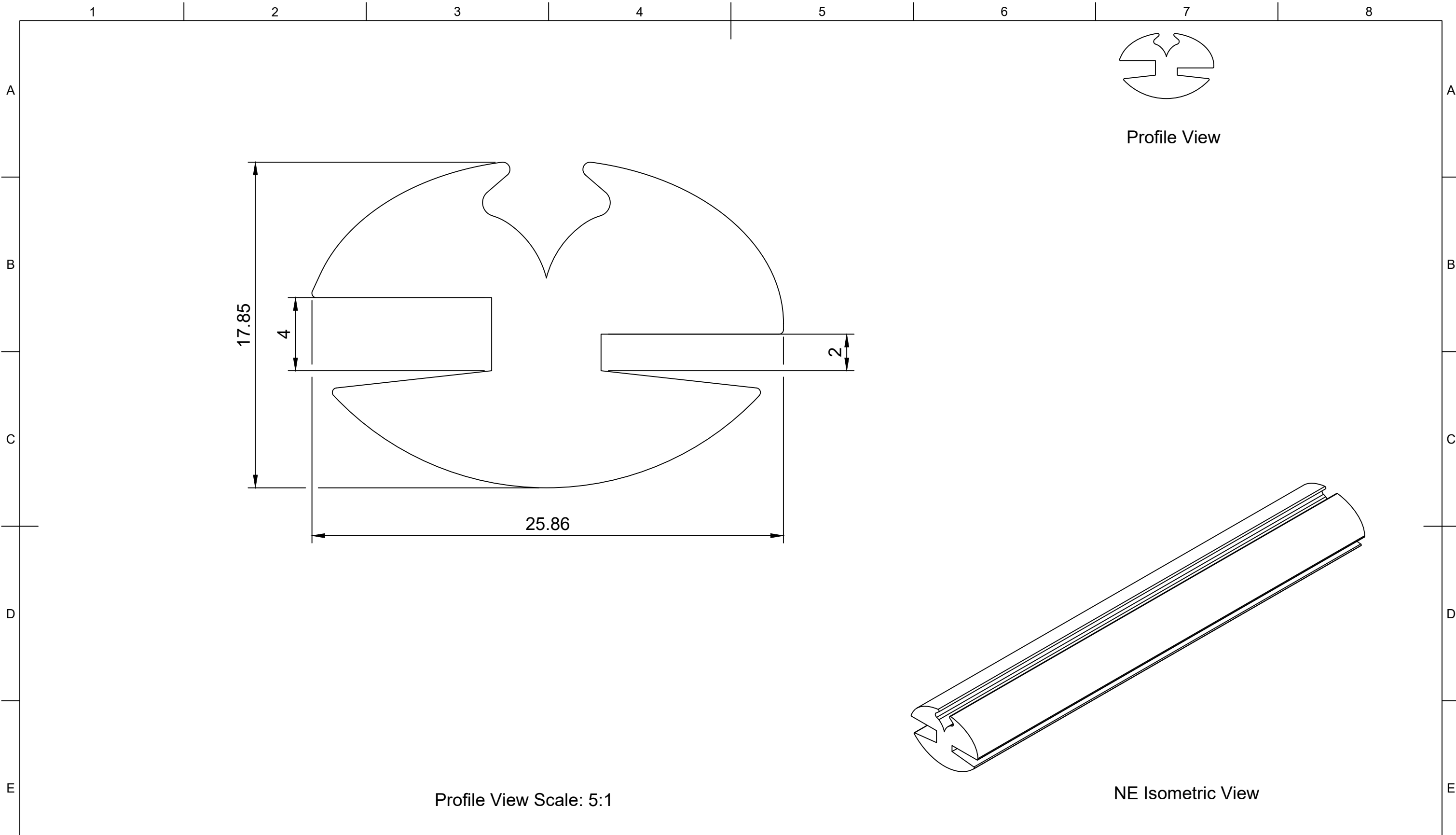



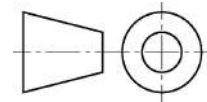
Profile View Scale: 5:1

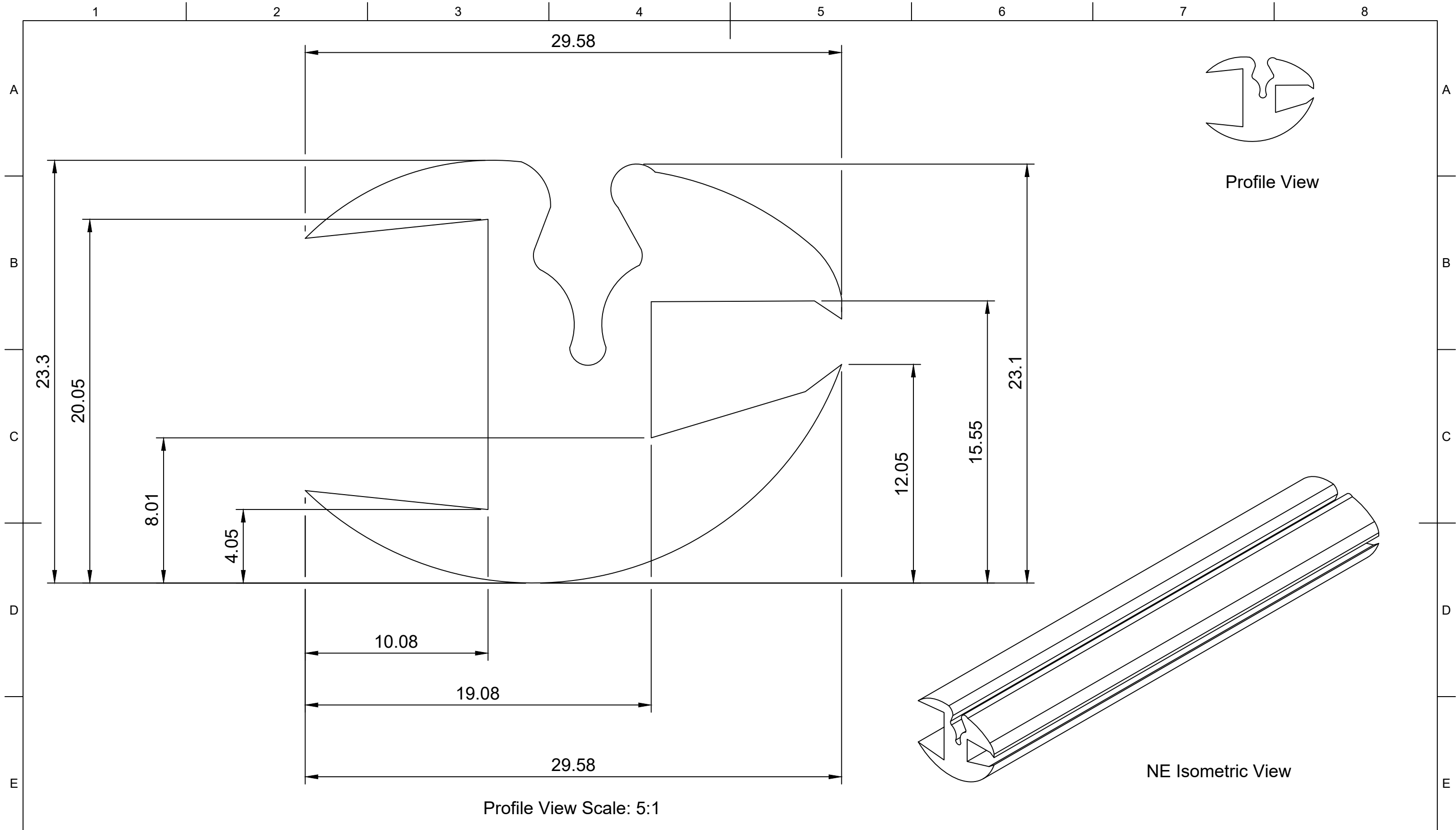


NE Isometric View

	Part Number				Created By		Cross Sectional Area (mm ²)		Nominal Dimension (mm)		Tolerance, ± (mm)
	206900				David Stirling		181		Greater Than	Less Than or Equal to	
	Description				Date Drawn		Material		0.00		0.40
					04/06/2020		EPDM		1.50		0.50
	Panel Seal				Approved By		Hardness (Shore A)		2.50		0.70
					Date of Approval		70		4.00		0.80
	Revision				Date of Issue		Colour		6.30		1.00
					26/01/2022		Black		10.00		1.30
	A		Sheet Scale		Projection		Weight (g/m)		16.00		1.60
	1:1		A3		3rd Agl.		228		25.00		2.00
		Sheet Size						40.00		2.50	
		Sheet						63.00		3.20	
		1/1						100.00		3.20%	

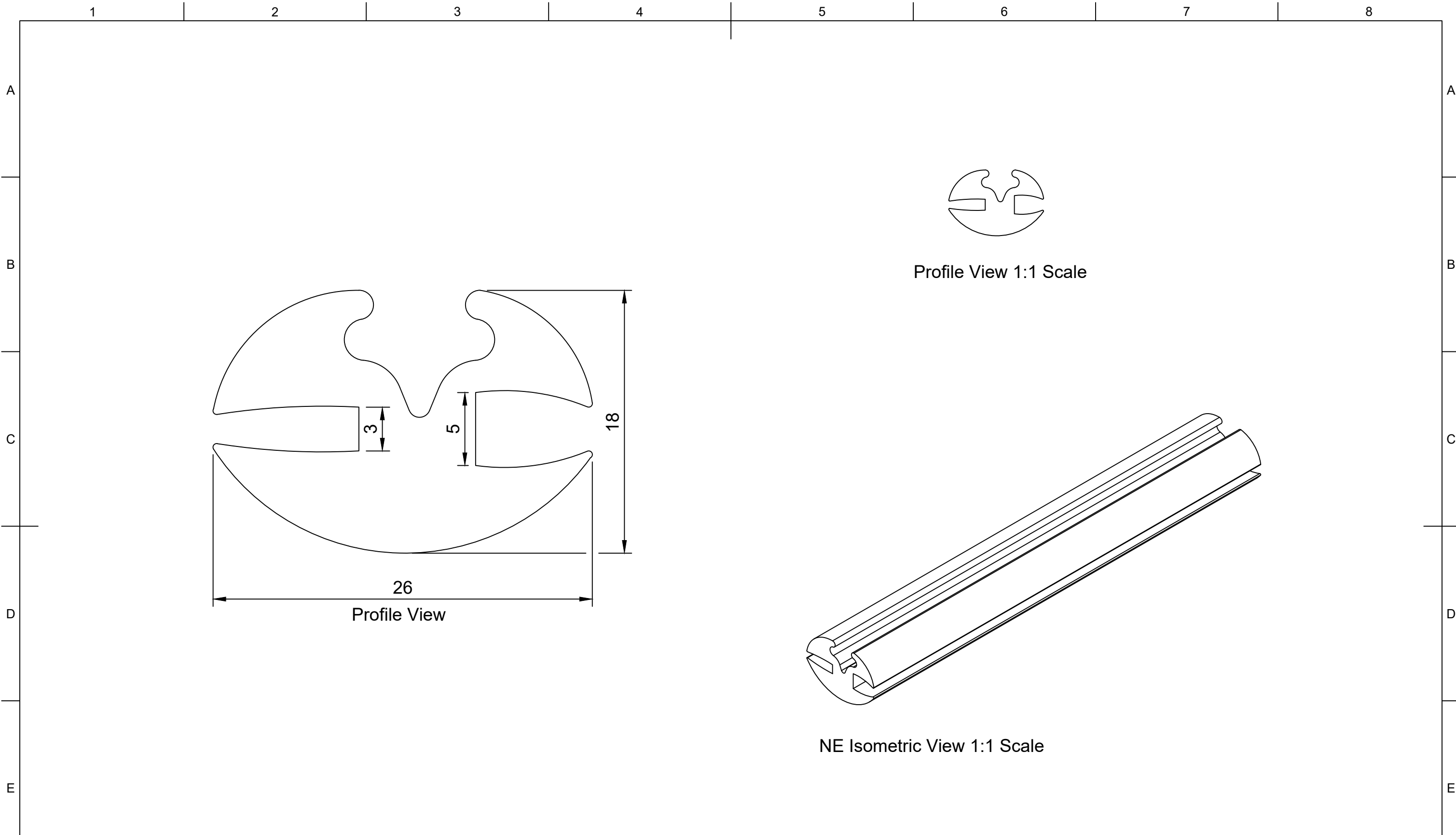



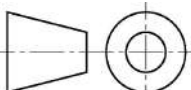
	Part Number				Created By		Cross Sectional Area (mm²)		Nominal Dimension (mm)		Tolerance, ± (mm)		
	207169				David Stirling		272		Greater Than	Less Than or Equal to			
	Description				Date Drawn		Material		0.00	1.50	0.40		
	Panel Seal				04/06/2020		EPDM		1.50	2.50	0.50		
	Revision				Approved By		Hardness (Shore A)		2.50	4.00	0.70		
	A	26/01/2022		1:1		Date of Approval		70		4.00	6.30	0.80	
	Date of Issue		Sheet Scale		Sheet Size		Projection		Colour		6.30	10.00	1.00
	26/01/2022		1:1		A3		3rd Agl. 		Black		10.00	16.00	1.30
	Sheet		Weight (g/m)		1/1		343		16.00	25.00	1.60		
	1/1		343						25.00	40.00	2.00		
								40.00	63.00	2.50			
								63.00	100.00	3.20			
								100.00		3.20%			

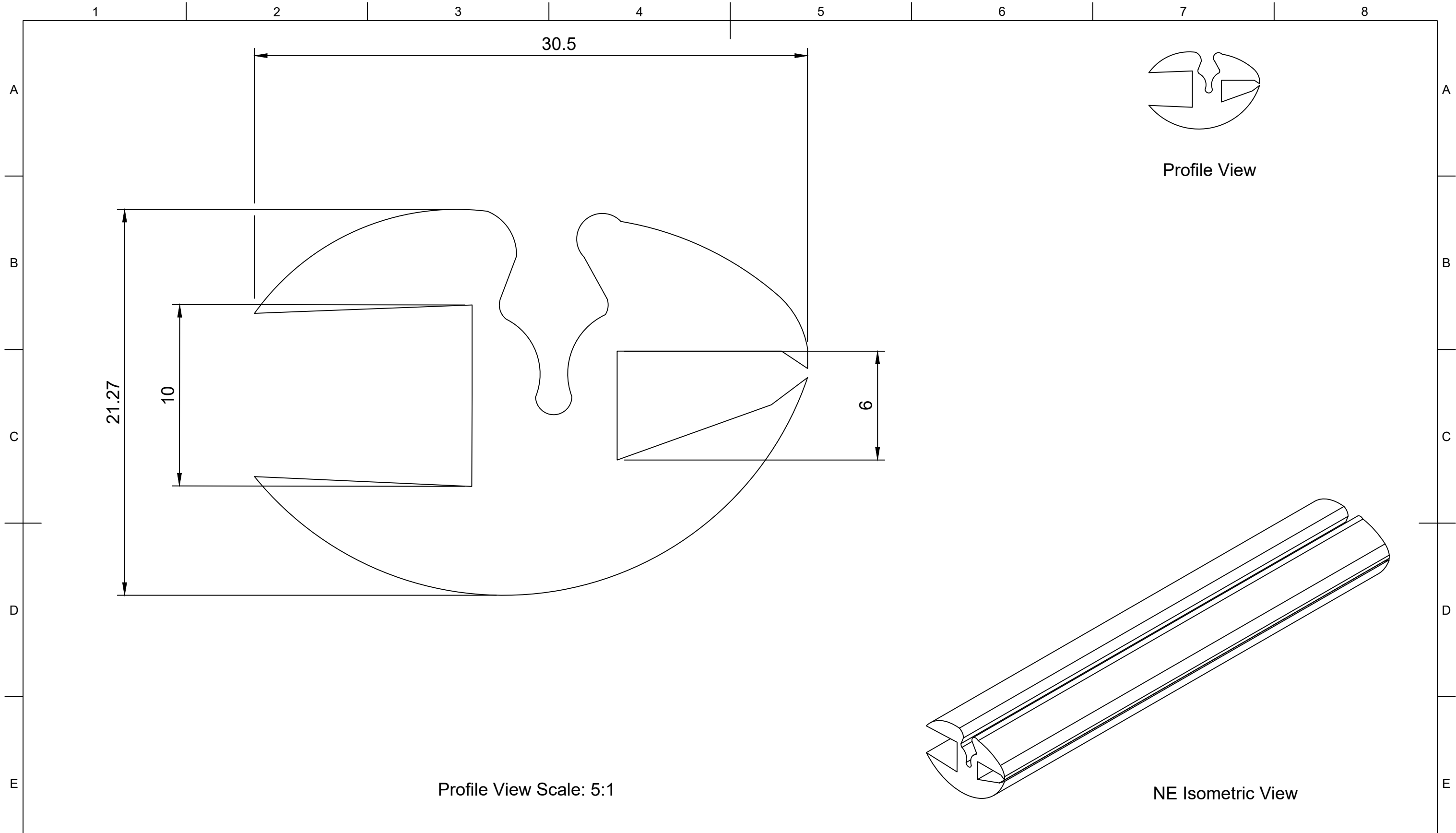


Profile View Scale: 5:1

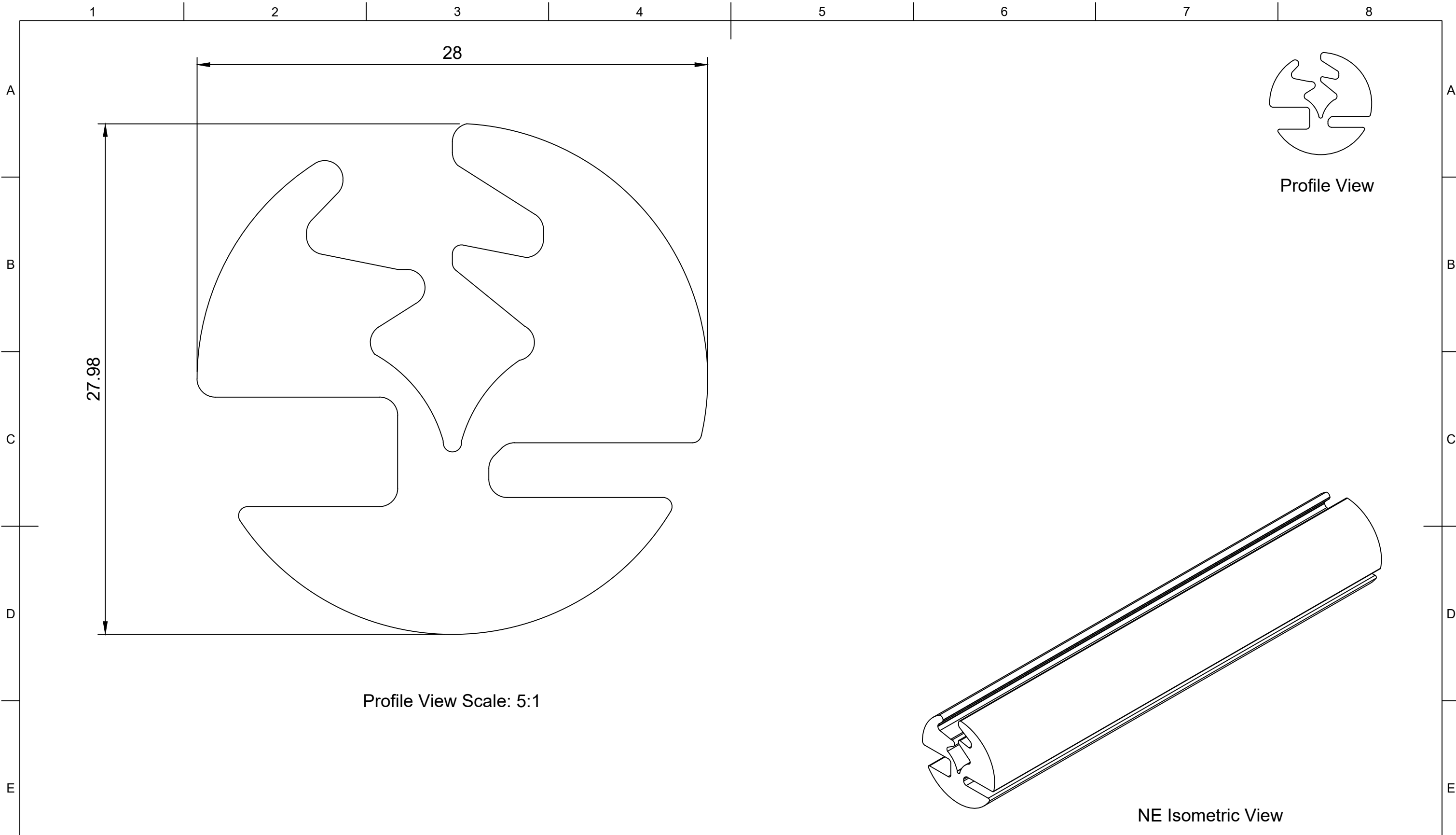
	Part Number				Created By		Cross Sectional Area (mm²)		Nominal Dimension (mm)		Tolerance, ± (mm)	
	207378				David Stirling		320		Greater Than	Less Than or Equal to		
	Description				Date Drawn		Material		0.00	1.50	0.40	
	Panel Seal				10/06/2020		EPDM		1.50	2.50	0.50	
	Revision				Approved By		Hardness (Shore A)		2.50	4.00	0.70	
	A	26/01/2022		1:1		Date of Approval		70		4.00	6.30	0.80
	Date of Issue		Sheet Scale		Sheet Size		Colour		6.30	10.00	1.00	
	26/01/2022		1:1		A3		Black		10.00	16.00	1.30	
	Sheet		Projection		Weight (g/m)		403		16.00	25.00	1.60	
	1/1		3rd Agl.						25.00	40.00	2.00	
								40.00	63.00	2.50		
								63.00	100.00	3.20		
								100.00		3.20%		



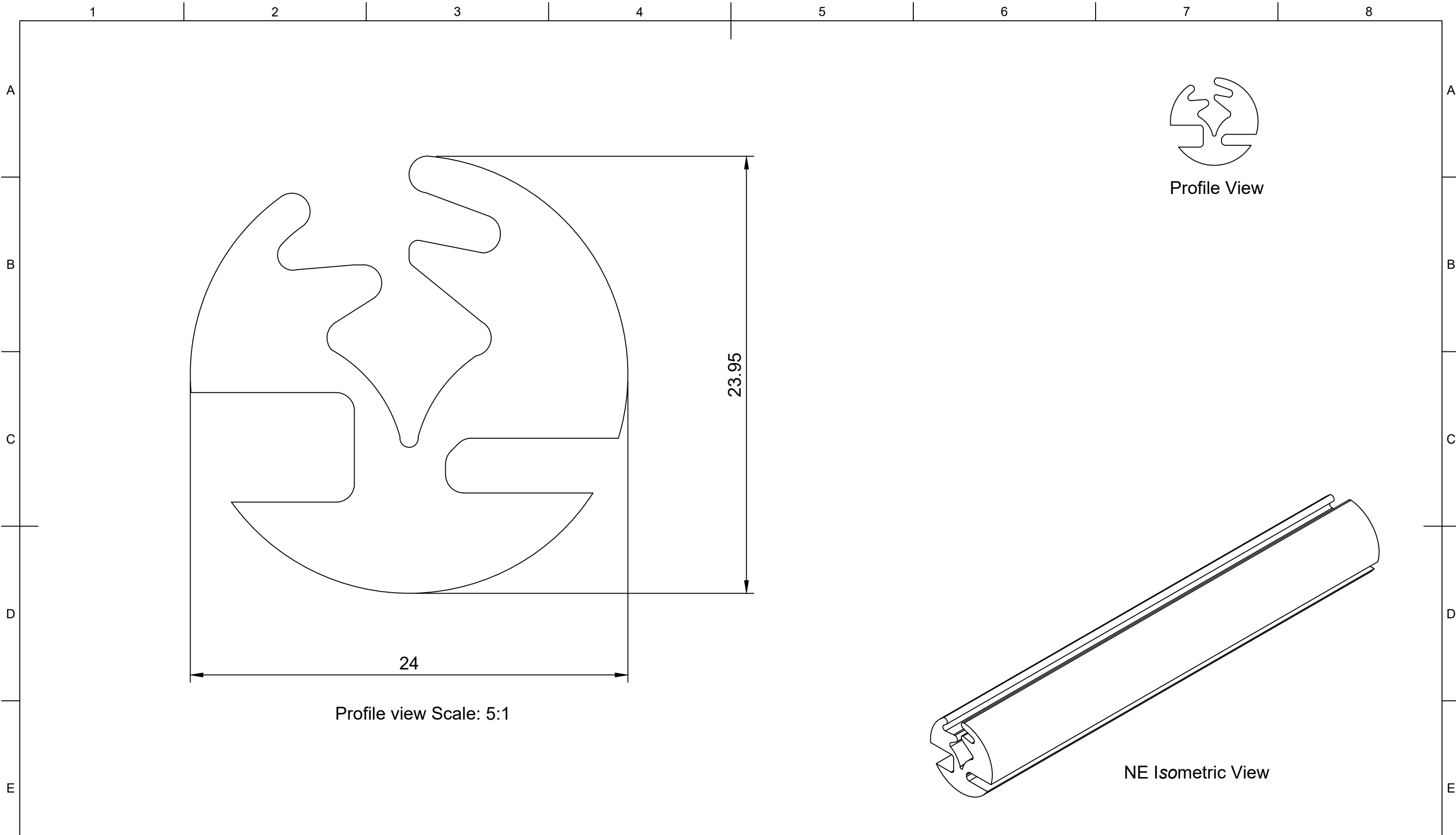
	Part Number				Created By		Cross Sectional Area (mm²)		Nominal Dimension (mm)		Tolerance, ± (mm)
	207529				David Stirling		260		Greater Than	Less Than or Equal to	
	Description				Date Drawn		Material		0.00		0.40
	Panel Seal				06/08/2020		EPDM		1.50		0.50
	Revision				Approved By		Hardness (Shore A)		2.50		0.70
	A	Date of Issue		Sheet Scale	Sheet Size	Sheet	Date of Approval		4.00		0.80
		31/01/2022		4:1	A3	1/1			6.30		1.00
	Projection				Weight (g/m)				10.00		1.30
	3rd Agl. 				328				16.00		1.60
									25.00		2.00
								40.00		2.50	
								63.00		3.20	
								100.00		3.20%	


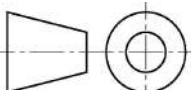


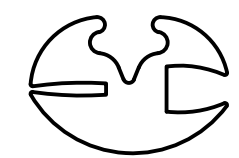
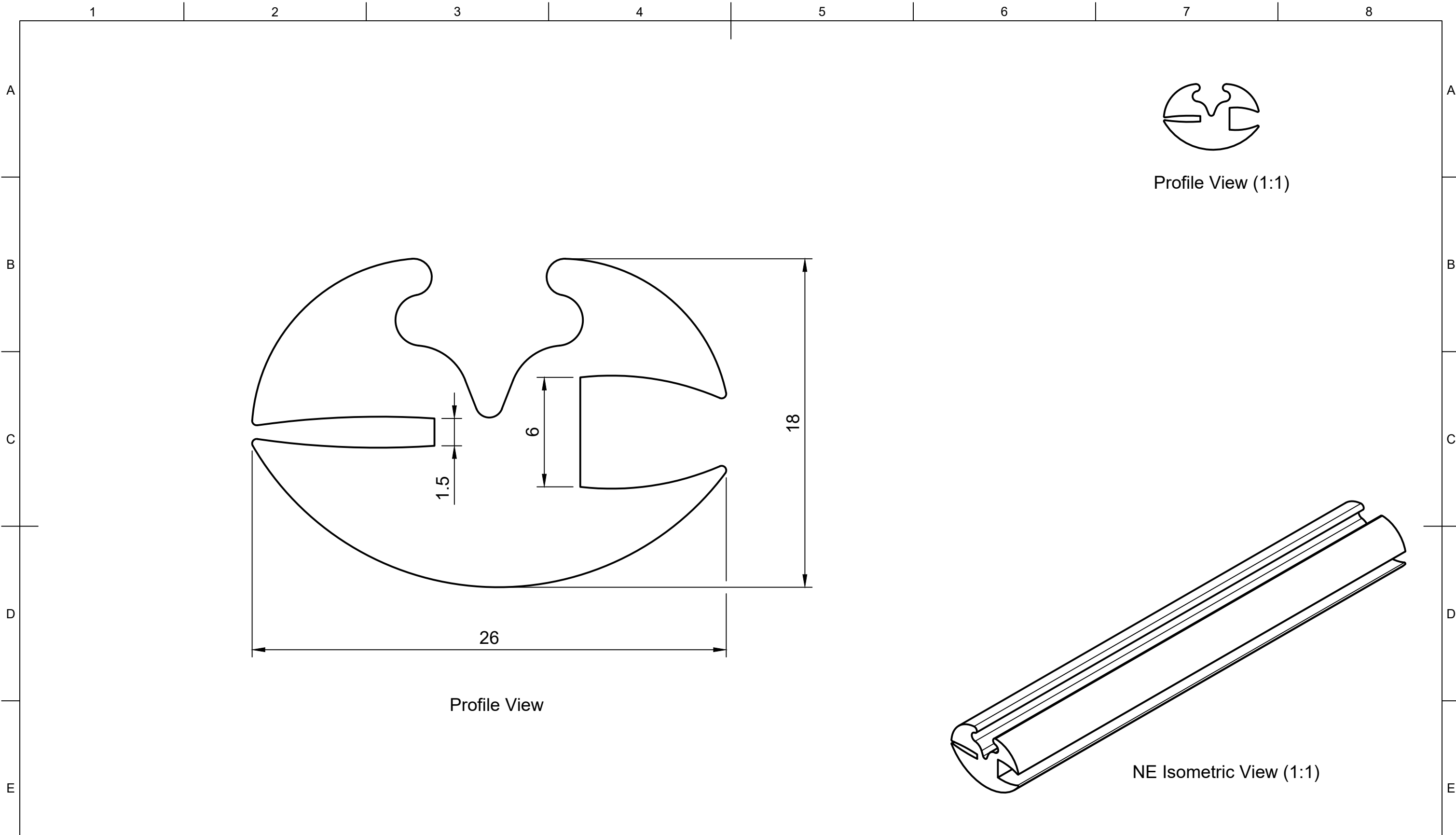
	Part Number				Created By		Cross Sectional Area (mm²)		Nominal Dimension (mm)		Tolerance, ± (mm)	
	208175				David Stirling		324		Greater Than	Less Than or Equal to		
	Description				Date Drawn		Material		0.00	1.50	0.40	
	Panel Seal				13/06/2020		EPDM		1.50	2.50	0.50	
	Revision				Approved By		Hardness (Shore A)		2.50	4.00	0.70	
	A	Date of Issue		Sheet Scale		Date of Approval		Colour		4.00	6.30	0.80
		26/01/2022		1:1				Black		6.30	10.00	1.00
				Sheet Size		Projection		Weight (g/m)		10.00	16.00	1.30
				A3		3rd Agl.		408		16.00	25.00	1.60
				1/1						25.00	40.00	2.00
									40.00	63.00	2.50	
									63.00	100.00	3.20	
									100.00		3.20%	



Part Number	205895				Created By	Isaac Erskine	Cross Sectional Area (mm ²)	410		Nominal Dimension (mm)		Tolerance, ± (mm)	
					Date Drawn	23/09/2020	Material	EPDM		Greater Than	Less Than or Equal to		
Description	Panel Seal				Approved By	Isaac Erskine	Hardness (Shore A)	70		0.00	1.50	0.40	
					Date of Approval	01/03/2022	Colour	Black		1.50	2.50	0.50	
Revision	Date of Issue	Sheet Scale	Sheet Size	Sheet	Projection	3rd Agl.		Weight (g/m)	517		2.50	4.00	0.70
A	01/03/2022	1:1	A3	1/1					6.30	10.00	1.00		
										10.00	16.00	1.30	
										16.00	25.00	1.60	
										25.00	40.00	2.00	
										40.00	63.00	2.50	
										63.00	100.00	3.20	
										100.00		3.20%	




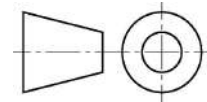
	Part Number				Created By		Cross Sectional Area (mm²)		Nominal Dimension (mm)		Tolerance, ± (mm)
	207244				Isaac Erskine		286		Greater Than	Less Than or Equal to	
	Description				Date Drawn		Material				
	Panel Seal				23/09/2020		EPDM				
					Approved By		Hardness (Shore A)				
					Isaac Erskine		70				
					Date of Approval		Colour				
					01/03/2022		Black				
					Projection		Weight (g/m)				
					3rd Agl. 		360				
Revision	Date of Issue	Sheet Scale	Sheet Size	Sheet							
A	01/03/2022	1:1	A3	1/1							
								25.00	40.00	2.00	
								40.00	63.00	2.50	
								63.00	100.00	3.20	
								100.00		3.20%	

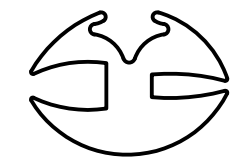
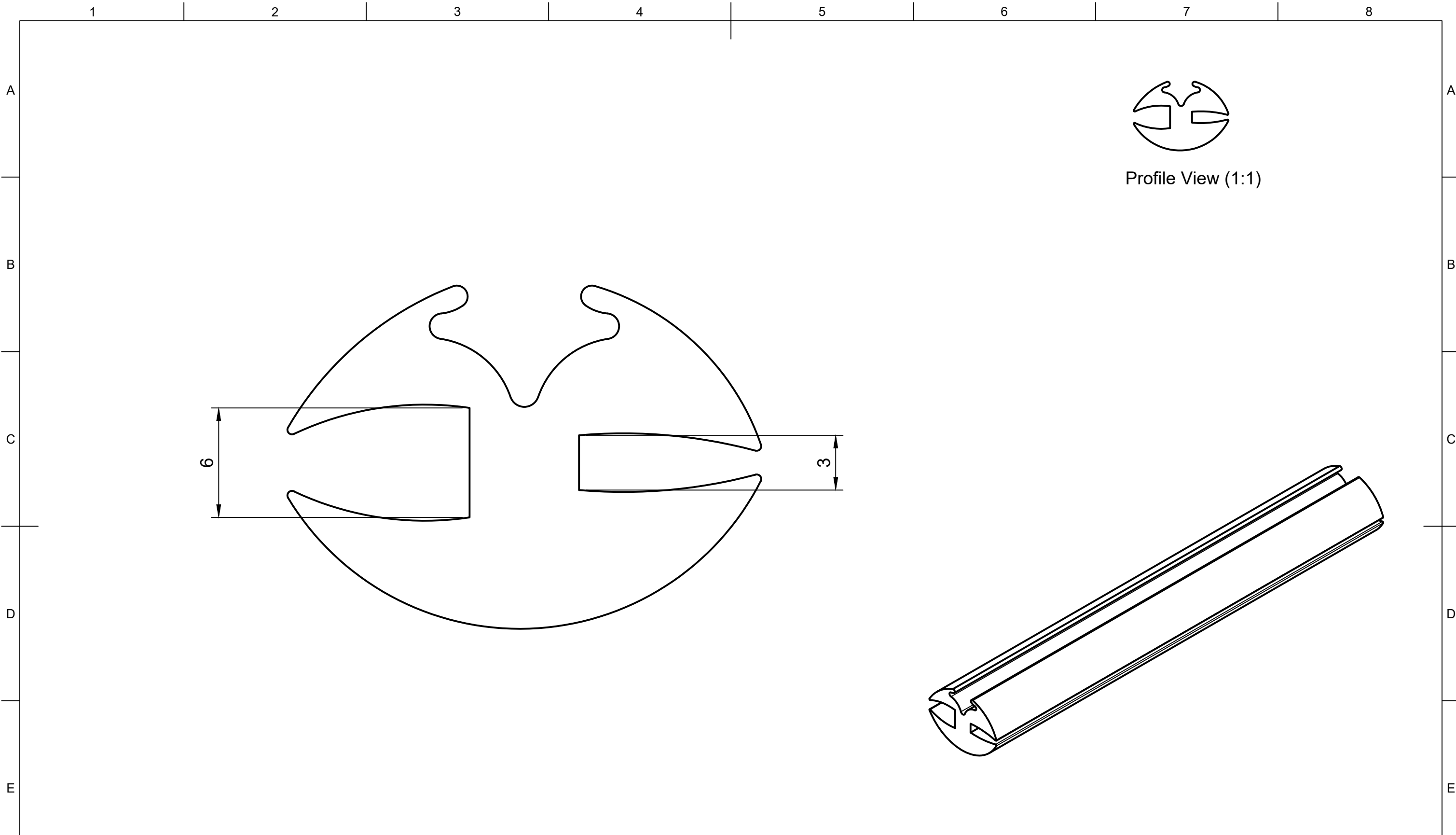


Profile View (1:1)

Profile View

NE Isometric View (1:1)

	Part Number				Created By		Cross Sectional Area (mm²)		Nominal Dimension (mm)		Tolerance, ± (mm)
	200192				Isaac Erskine		267		Greater Than	Less Than or Equal to	
	Description				Date Drawn		Material		0.00		0.40
	Panel Seal				10/10/2022		EPDM		1.50		0.50
	Revision				Approved By		Hardness (Shore A)		2.50		0.70
	1				Date of Approval		70		4.00		0.80
	Date of Issue				Projection		Colour		6.30		1.00
	10/10/2022				3rd Agl. 		Black		10.00		1.30
	Sheet Scale				Sheet Size		Weight (g/m)		16.00		1.60
	5:1				A3		337		25.00		2.00
Sheet								40.00		2.50	
1/1								63.00		3.20	
								100.00		3.20%	



Profile View (1:1)



Part Number 207382	Description Panel Seal				Created By Isaac Erskine		Material - Hardness (Shore A) - Colour EPDM - 70 - Black		Nominal Dimension (mm)		Tolerance, ± (mm)						
					Date Drawn 12/04/2023		Approved By Isaac Erskine		Cross Sectional Area (mm²) 258			Estimated Weight (g/m) 326		Greater Than	Less Than or Equal to		
Revision A	ALL DIMENSIONS IN MM DO NOT SCALE				Sheet Scale 5:1		Sheet Size A3		Sheet 1/1		Date of Issue 12/04/2023		Projection 3rd Angle		0.00	1.50	0.40
															1.50	2.50	0.50
															2.50	4.00	0.70
															4.00	6.30	0.80
															6.30	10.00	1.00
															10.00	16.00	1.30
16.00	25.00	1.60															
25.00	40.00	2.00															
40.00	63.00	2.50															
63.00	100.00	3.20															
100.00	—	3.20%															