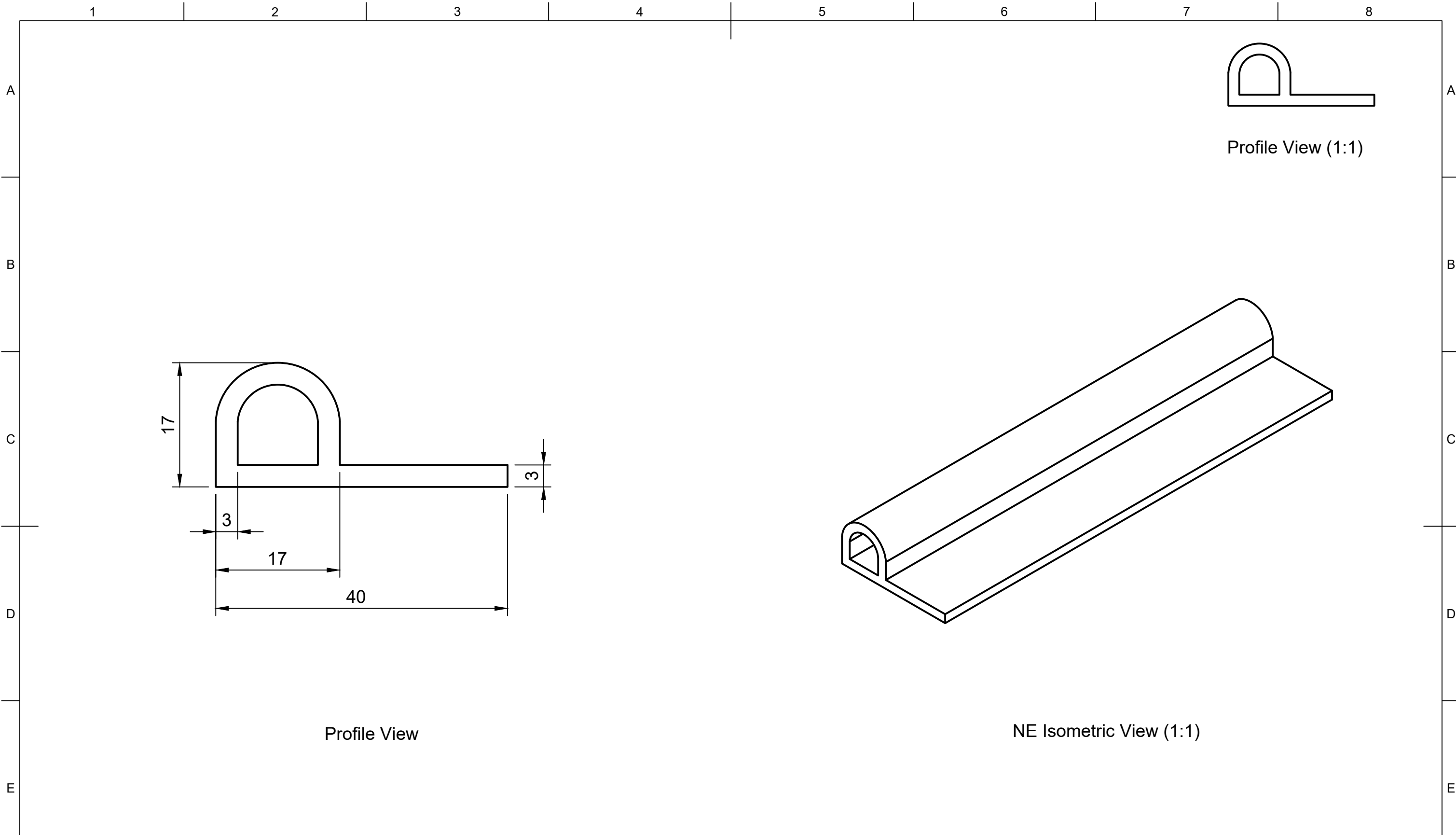



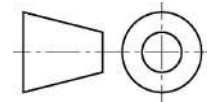


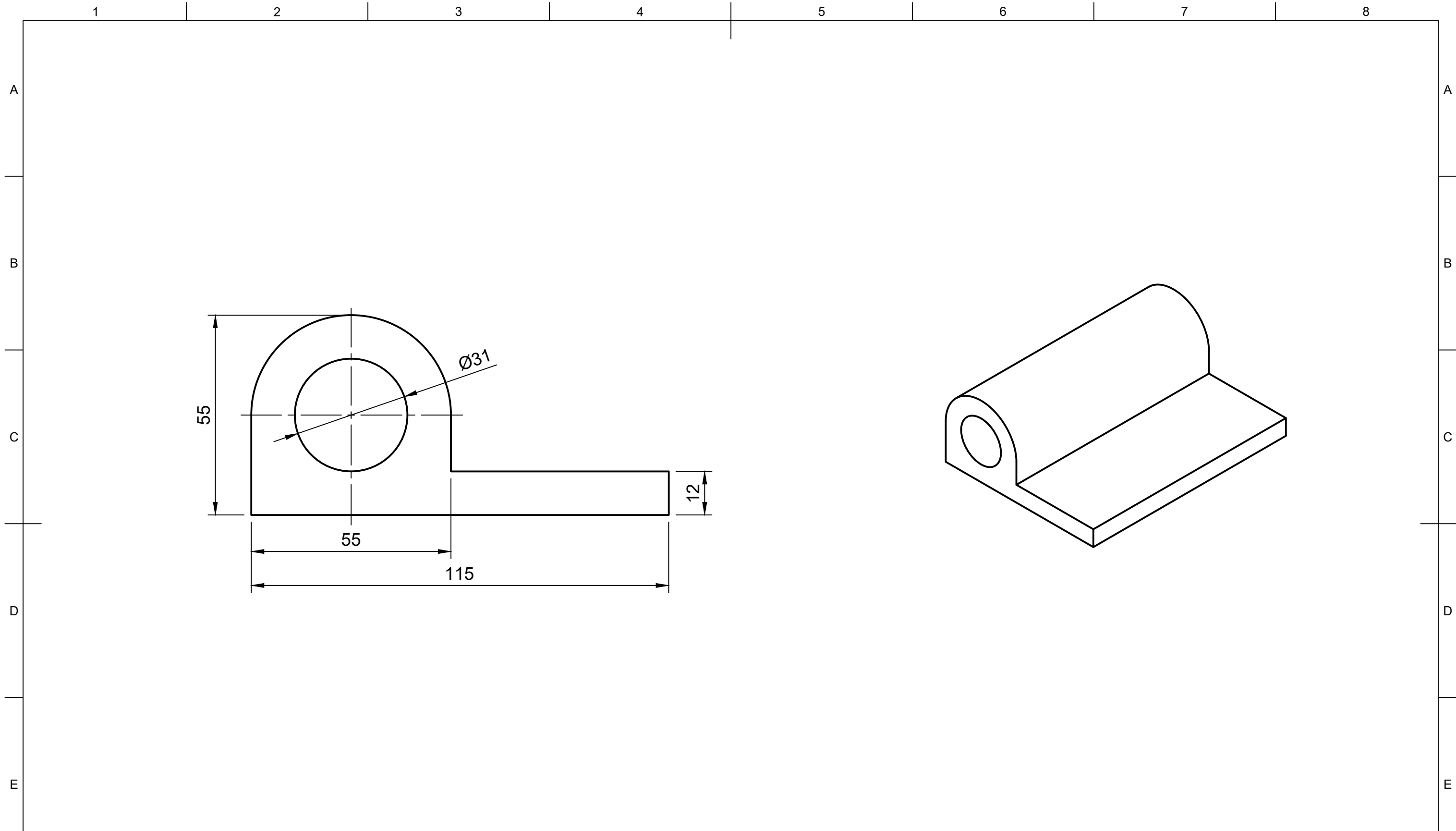
P Sections



Profile View

NE Isometric View (1:1)

	Part Number				Created By		Cross Sectional Area (mm²)		Nominal Dimension (mm)		Tolerance, ± (mm)
	205472				Oliver Ryan		219		Greater Than	Less Than or Equal to	
	Description				Date Drawn		Material		0.00	1.50	0.40
	P Section - D Centre				24/11/2022		EPDM		1.50	2.50	0.50
	Revision				Approved By		Hardness (Shore A)		2.50	4.00	0.70
	A	Date of Issue		Sheet Scale	Sheet Size	Sheet	Isaac Erskine		4.00	6.30	0.80
		24/11/2022		2:1	A3	1/1	26/01/2023		6.30	10.00	1.00
	Projection				Date of Approval		Colour		10.00	16.00	1.30
	3rd Agl. 						Black		16.00	25.00	1.60
					Weight (g/m)		276		25.00	40.00	2.00
								40.00	63.00	2.50	
								63.00	100.00	3.20	
								100.00		3.20%	



Part Number 207868					Created By Isaac Erskine		Cross Sectional Area (mm ²) 2666		Nominal Dimension (mm)		Tolerance, ± (mm)					
					Date Drawn 16/05/2022		Material EPDM		Greater Than	Less Than or Equal to						
Description P Section - Round Centre					Approved By Isaac Erskine		Hardness (Shore A) 70		0.00	1.50	0.40					
					Date of Approval 12/04/2023		Colour Black		1.50	2.50	0.50					
					Revision A		Date of Issue 16/05/2022	Sheet Scale 1:1	Sheet Size A3	Sheet 1/1	Projection 3rd Agl.	Weight (kg/m) 3.28		2.50	4.00	0.70
														6.30	10.00	1.00
									10.00	16.00	1.30					
									16.00	25.00	1.60					
									25.00	40.00	2.00					
									40.00	63.00	2.50					
									63.00	100.00	3.20					
									100.00		3.20%					