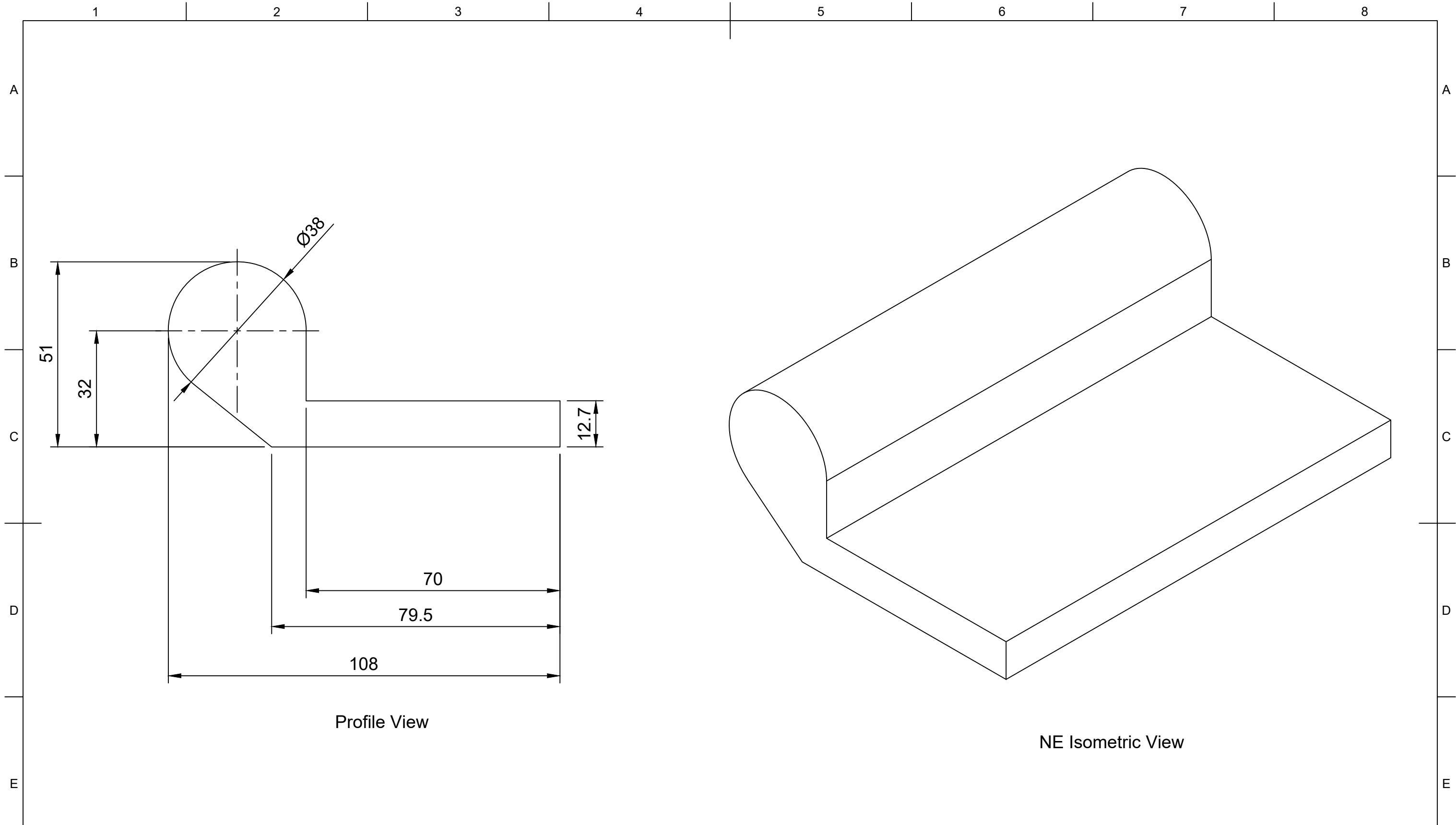
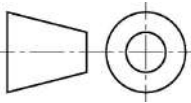


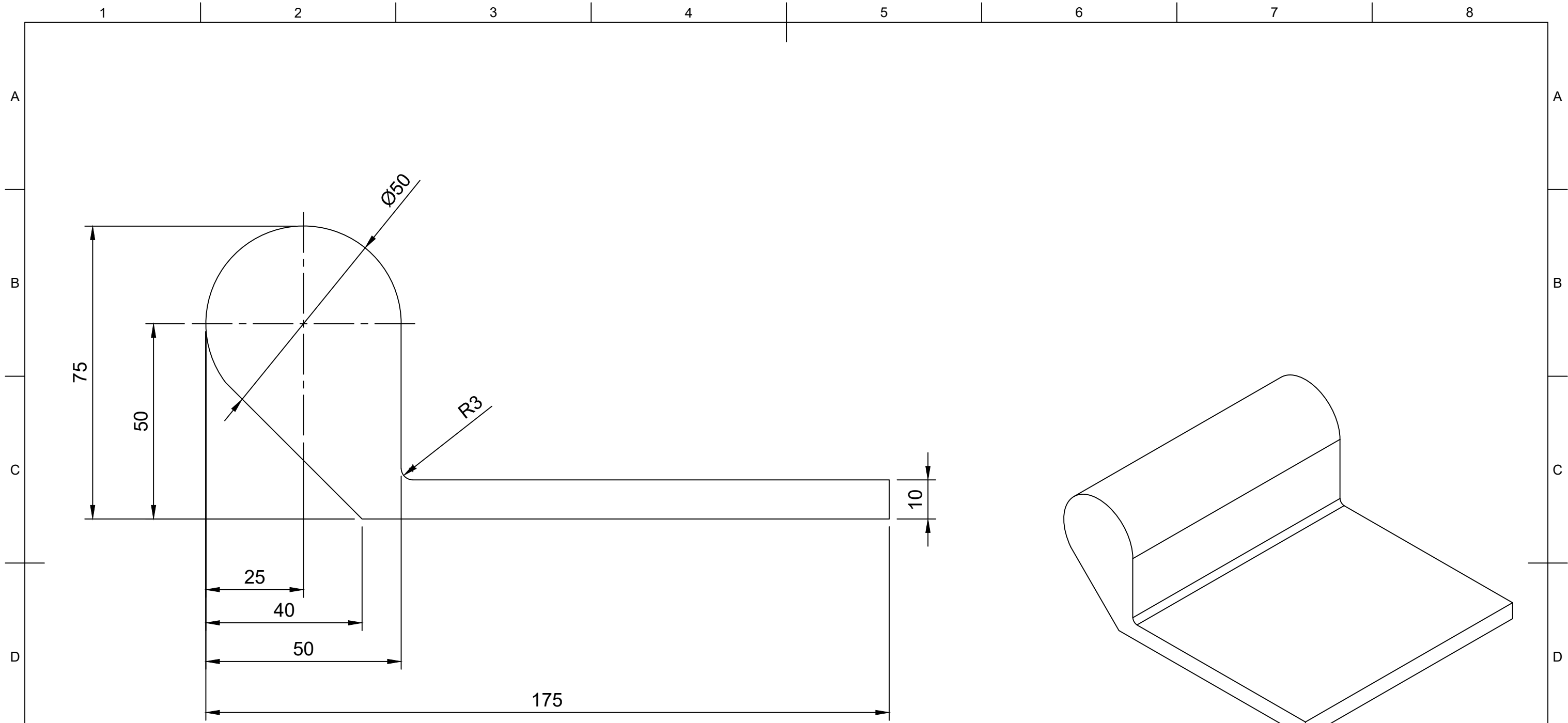


Lock Gate Seals




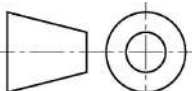
Part Number 200566		Created By David Stirling		Cross Sectional Area (mm²) 2334		Nominal Dimension (mm)		Tolerance, ± (mm)
		Date Drawn 03/07/2020		Material EPDM		Greater Than	Less Than or Equal to	
Description Lock Gate Seal		Approved By		Hardness (Shore A) 70		0.00	1.50	0.40
		Date of Approval		Colour Black		1.50	2.50	0.50
Revision A	Date of Issue 26/01/2022	Sheet Scale 1:1	Sheet Size A3	Sheet 1/1	Projection 3rd Agl.	Weight (kg/m)		2.50
						63.00	100.00	3.20
						100.00		3.20%





Profil View

NE Isometric View Scale: 1:2

	Part Number				Created By		Cross Sectional Area (mm ²)		Nominal Dimension (mm)		Tolerance, ± (mm)
	200772				David Stirling		3922		Greater Than	Less Than or Equal to	
	Description				Date Drawn		Material		0.00		0.40
	Lock Gate Seal				03/07/2020		EPDM		1.50		0.50
	Revision				Approved By		Hardness (Shore A)		2.50		0.70
	Date of Issue				Date of Approval		70		4.00		0.80
	Sheet Scale				Projection		Colour		6.30		1.00
	Sheet Size				3rd Agl. 		Black		10.00		1.30
	Sheet				Weight (kg/m)		4.942		16.00		1.60
	A				26/01/2022		1:1		25.00		2.00
A3				1/1				40.00		2.50	
								63.00		3.20	
								100.00		3.20%	

1 2 3 4 5 6 7 8

A

B

C

D

E

F

A

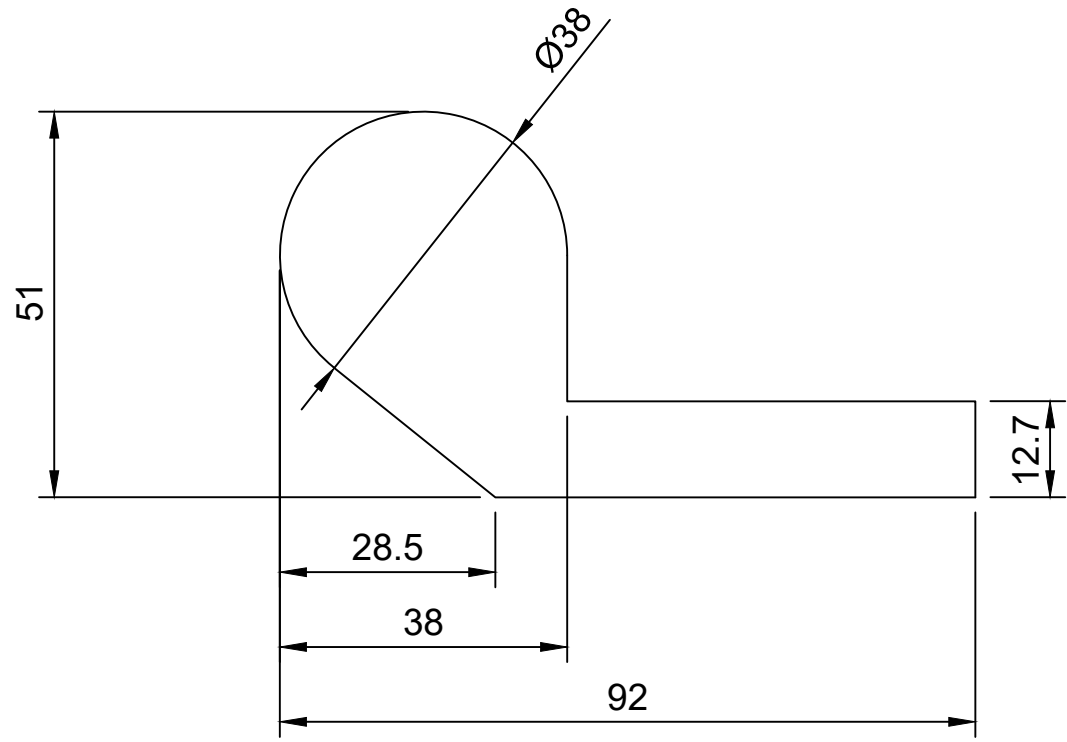
B

C

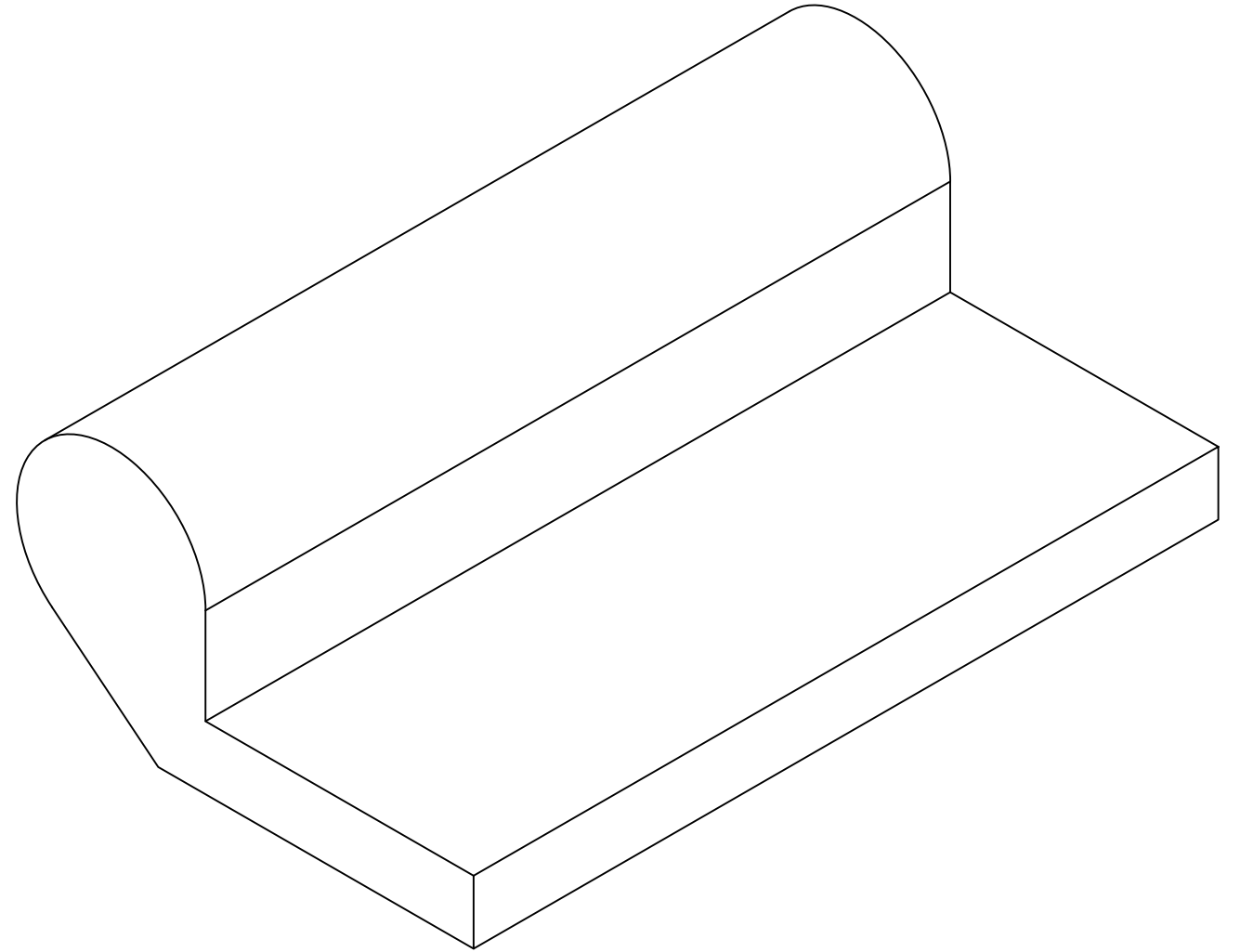
D

E

F



Profile View

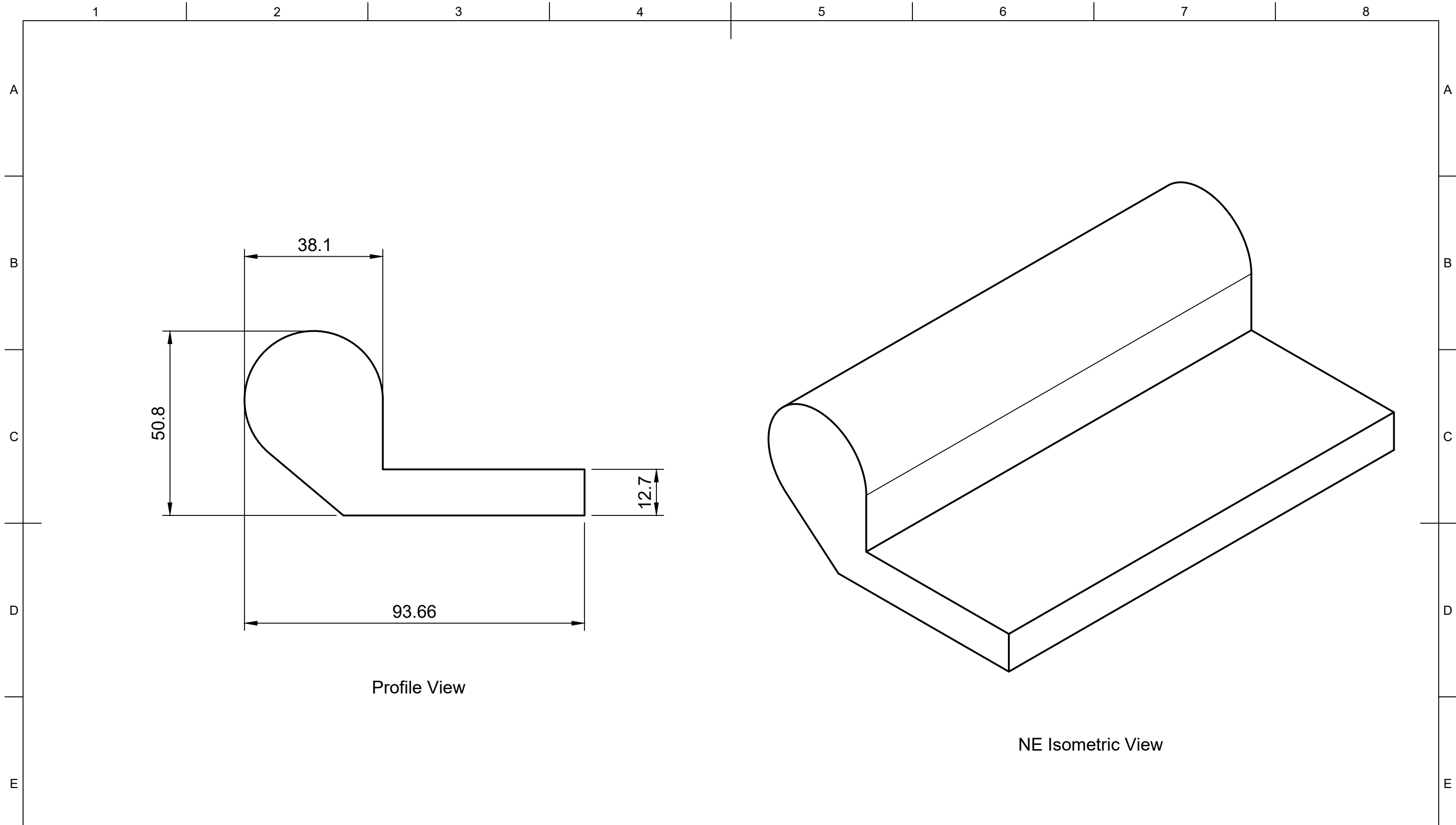


NE Isometric View




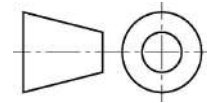
Part Number	202525				Created By	David Stirling	Cross Sectional Area (mm ²)	2131		Nominal Dimension (mm)		Tolerance, ± (mm)			
					Date Drawn	03/07/2020	Material	EPDM		Greater Than	Less Than or Equal to				
Description	Lock Gate Seal				Approved By			Hardness (Shore A)	70		0.00	1.50	0.40		
					Date of Approval			Colour	Black		1.50	2.50	0.50		
Revision	Date of Issue	Sheet Scale	Sheet Size	Sheet	Projection	3rd Agl.		Weight (kg/m)	2.685		2.50	4.00	0.70		
A	26/01/2022	1:1	A3	1/1	25.00			40.00	2.00						
											40.00	63.00	2.50		
											63.00	100.00	3.20		
											100.00	---	3.20%		

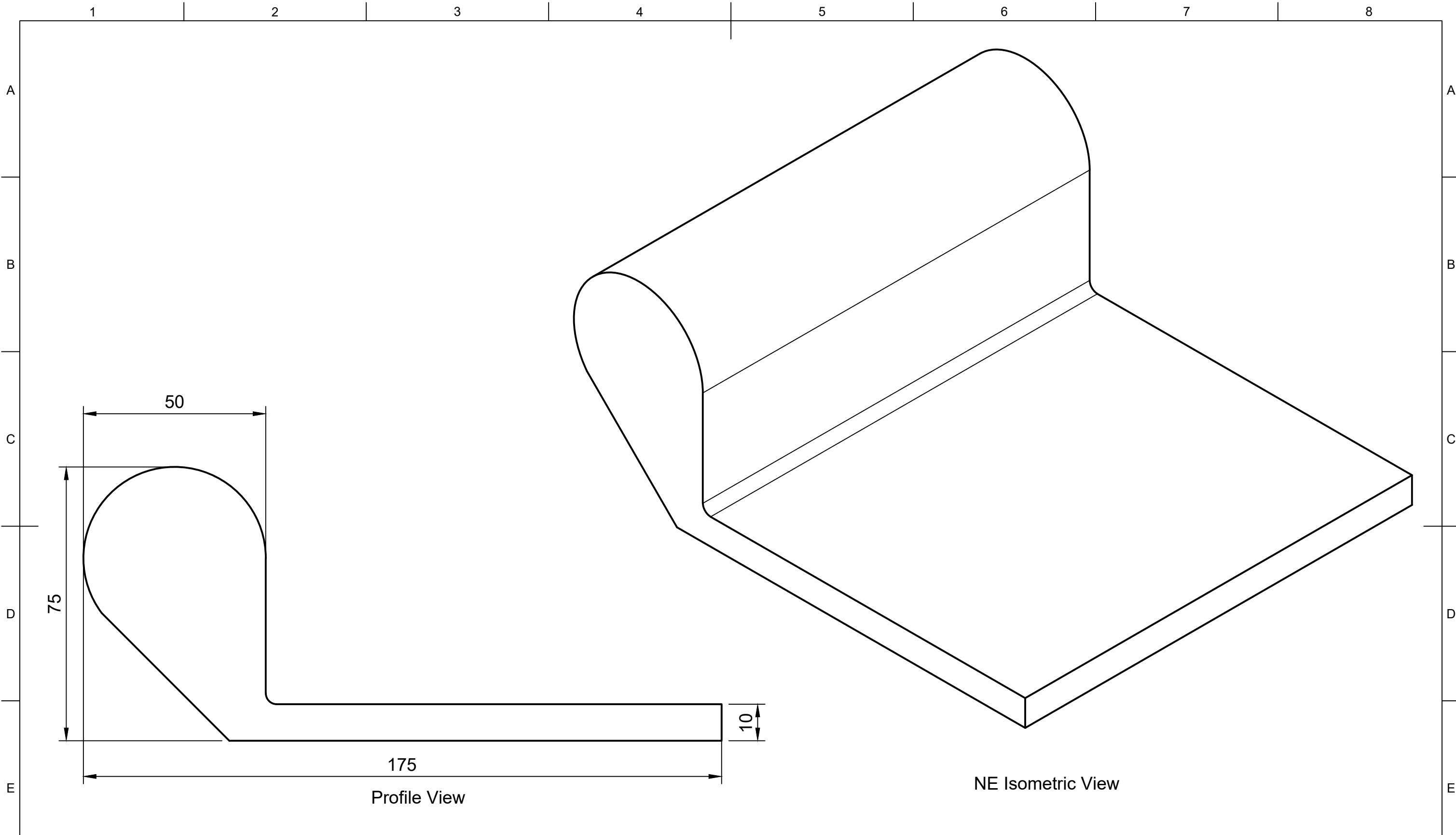
1 2 3 4 5 6 7 8



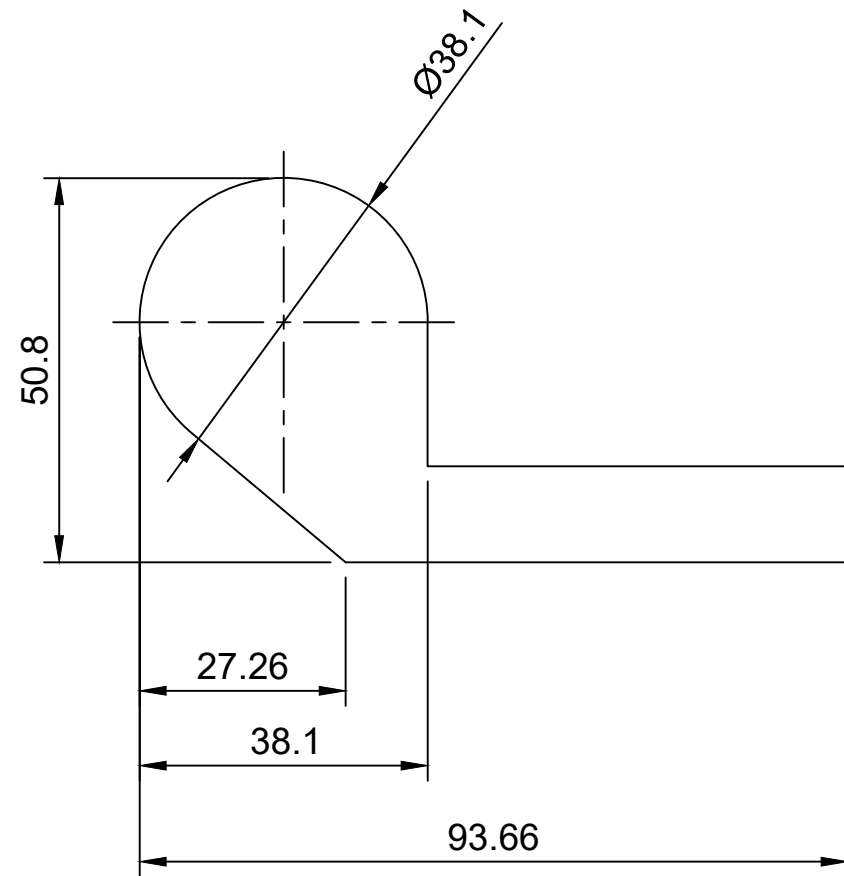
Profile View

NE Isometric View

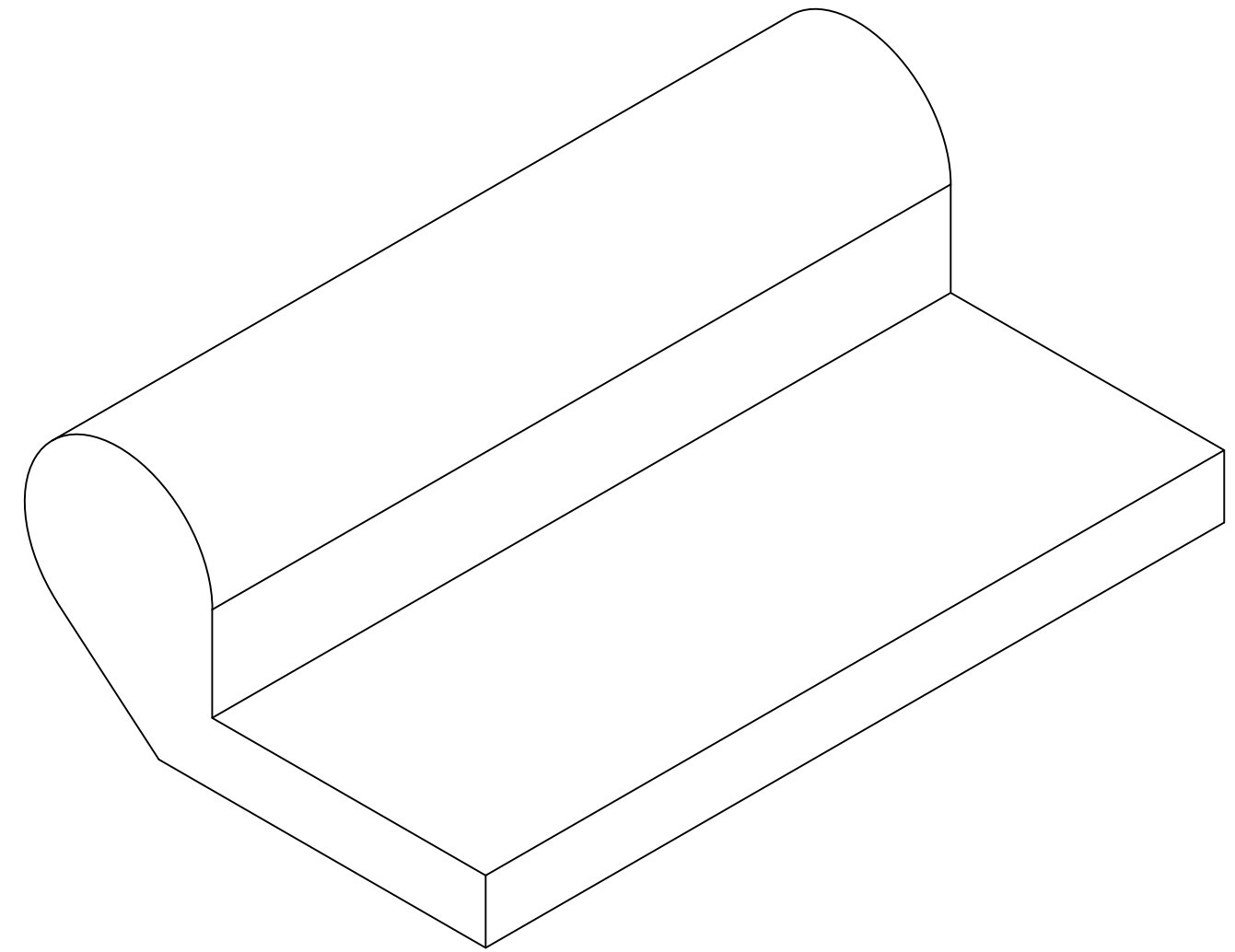
	Part Number				Created By		Cross Sectional Area (mm²)		Nominal Dimension (mm)		Tolerance, ± (mm)	
	203206				David Stirling		2163		Greater Than	Less Than or Equal to		
	Description				Date Drawn		Material		0.00	1.50	0.40	
	Lock Gate Seal				26/01/2022		Neoprene		1.50	2.50	0.50	
	Revision				Approved By		Hardness (Shore A)		2.50	4.00	0.70	
	A	26/01/2022		Sheet Scale		Date of Approval		70		4.00	6.30	0.80
		1:1		Sheet Size		Colour		Black		6.30	10.00	1.00
		A3		Sheet		Weight (kg/m)		3.288		10.00	16.00	1.30
		1/1		Projection		3rd Agl.				16.00	25.00	1.60
										25.00	40.00	2.00
									40.00	63.00	2.50	
									63.00	100.00	3.20	
									100.00		3.20%	




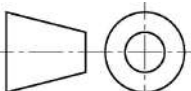
Part Number		206353			Created By		David Stirling		Cross Sectional Area (mm ²)		3922		Nominal Dimension (mm)		Tolerance, ± (mm)
					Date Drawn		26/01/2022		Material		Neoprene		Greater Than	Less Than or Equal to	
Description		Lock Gate Seal			Approved By				Hardness (Shore A)		70		1.50	2.50	0.50
					Date of Approval				Colour		Black		2.50	4.00	0.70
Revision	Date of Issue	Sheet Scale	Sheet Size	Sheet	Projection	3rd Agl.		Weight (kg/m)		5.961		4.00	6.30	0.80	
A	26/01/2022	1:1	A3	1/1	6.30							10.00	1.00		
												10.00	16.00	1.30	
												16.00	25.00	1.60	
												25.00	40.00	2.00	
												40.00	63.00	2.50	
												63.00	100.00	3.20	
												100.00		3.20%	

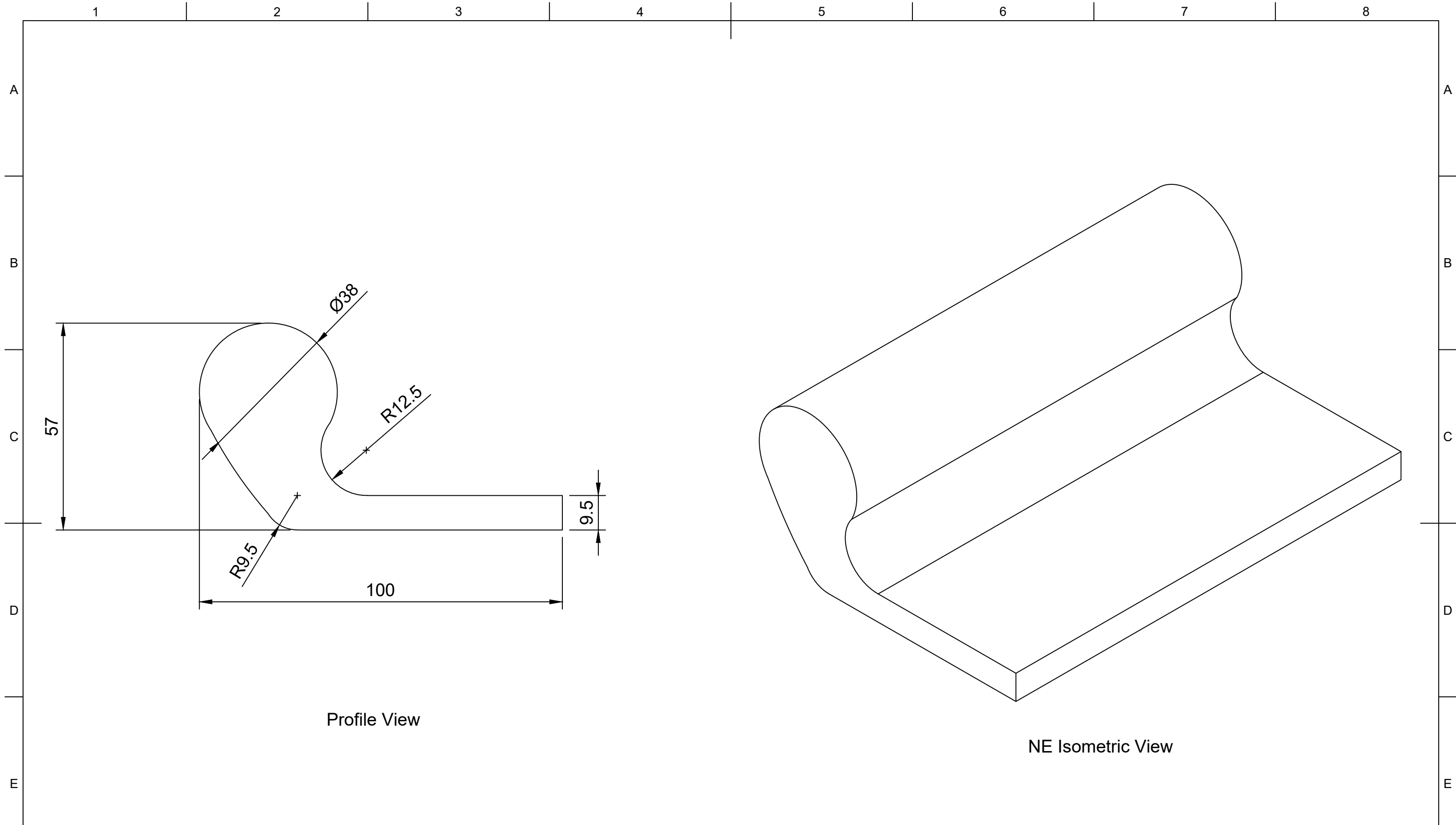


Profile View




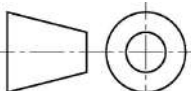
NE Isometric View

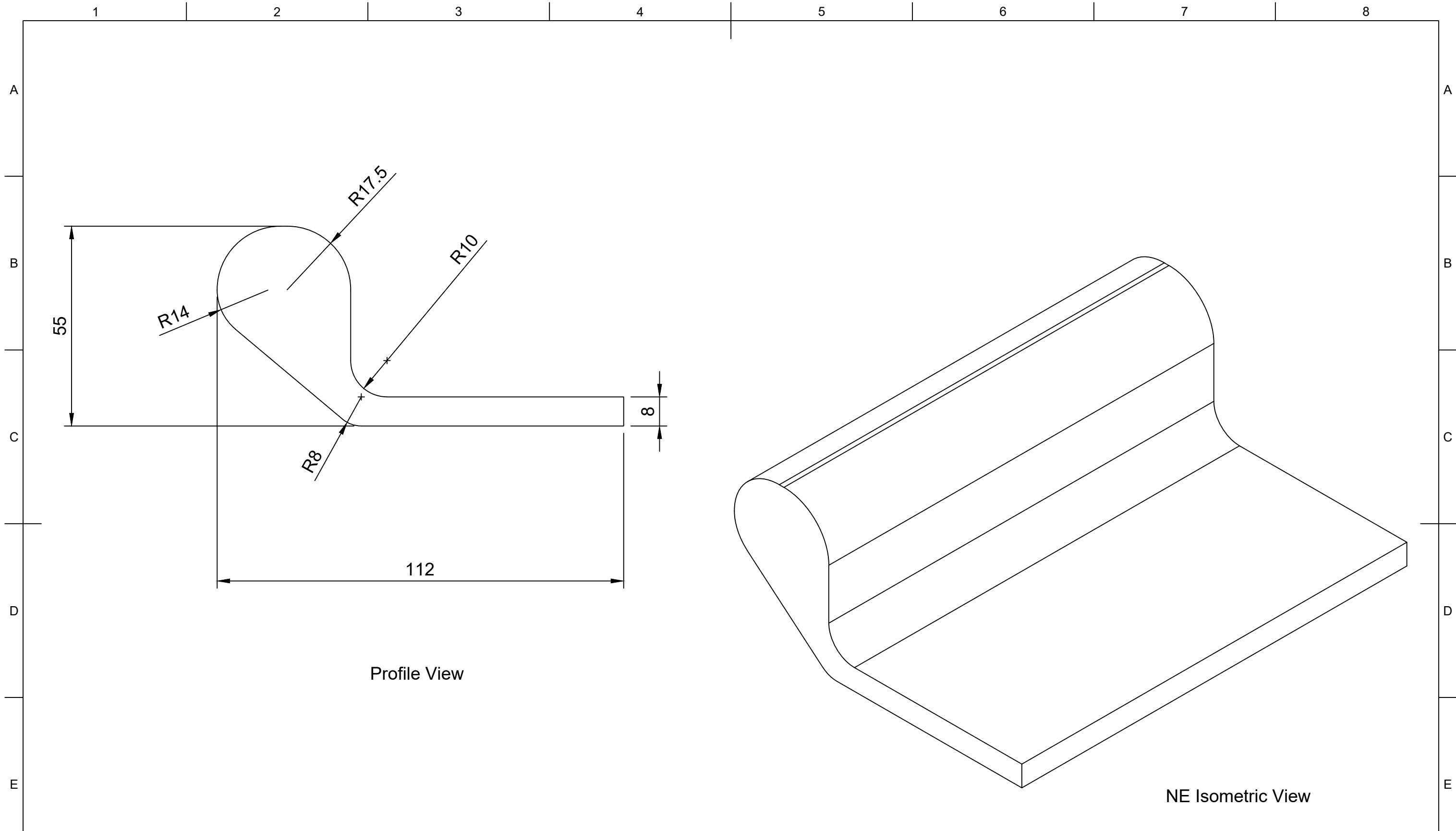
	Part Number				Created By		Cross Sectional Area (mm²)		Nominal Dimension (mm)		Tolerance, ± (mm)
	206508				David Stirling		2163		Greater Than	Less Than or Equal to	
	Description				Date Drawn		Material		0.00	1.50	0.40
					03/07/2020		EPDM		1.50	2.50	0.50
	Lock Gate Seal				Approved By		Hardness (Shore A)		2.50	4.00	0.70
							70		4.00	6.30	0.80
					Date of Approval		Colour		6.30	10.00	1.00
							Black		10.00	16.00	1.30
					Projection		Weight (kg/m)		16.00	25.00	1.60
					3rd Agl. 		2.725		25.00	40.00	2.00
Revision	Date of Issue	Sheet Scale	Sheet Size	Sheet			40.00	63.00	2.50		
A	26/01/2022	1:1	A3	1/1			63.00	100.00	3.20		
						100.00			3.20%		


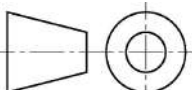


Profile View

NE Isometric View

	Part Number				Created By		Cross Sectional Area (mm ²)		Nominal Dimension (mm)		Tolerance, ± (mm)
	206625				David Stirling		2198		Greater Than	Less Than or Equal to	
	Description				Date Drawn		Material		0.00		0.40
	Lock Gate Seal				03/07/2020		EPDM		1.50		0.50
	Revision				Approved By		Hardness (Shore A)		2.50		0.70
	A				Date of Approval		70		4.00		0.80
	Date of Issue				Projection		Colour		6.30		1.00
	26/01/2022				3rd Agl. 		Black		10.00		1.30
	Sheet Scale				Weight (kg/m)		2.769		16.00		1.60
	1:1								25.00		2.00
Sheet Size								40.00		2.50	
A3								63.00		3.20	
Sheet								100.00		3.20%	
1/1											



	Part Number				Created By		Cross Sectional Area (mm²)		Nominal Dimension (mm)		Tolerance, ± (mm)		
	209046				David Stirling		1941		Greater Than	Less Than or Equal to			
	Description				Date Drawn		Material		0.00	1.50	0.40		
	Lock Gate Seal				03/07/2020		Neoprene		1.50	2.50	0.50		
	Revision				Approved By		Hardness (Shore A)		2.50	4.00	0.70		
	A	26/01/2022		1:1				70		4.00	6.30	0.80	
	Date of Issue		Sheet Scale		Sheet Size		Sheet		Colour		6.30	10.00	1.00
	26/01/2022		1:1		A3		1/1		Black		10.00	16.00	1.30
	Projection				Date of Approval		Weight (kg/m)		16.00	25.00	1.60		
	3rd Agl. 						2.950		25.00	40.00	2.00		
								40.00	63.00	2.50			
								63.00	100.00	3.20			
								100.00		3.20%			