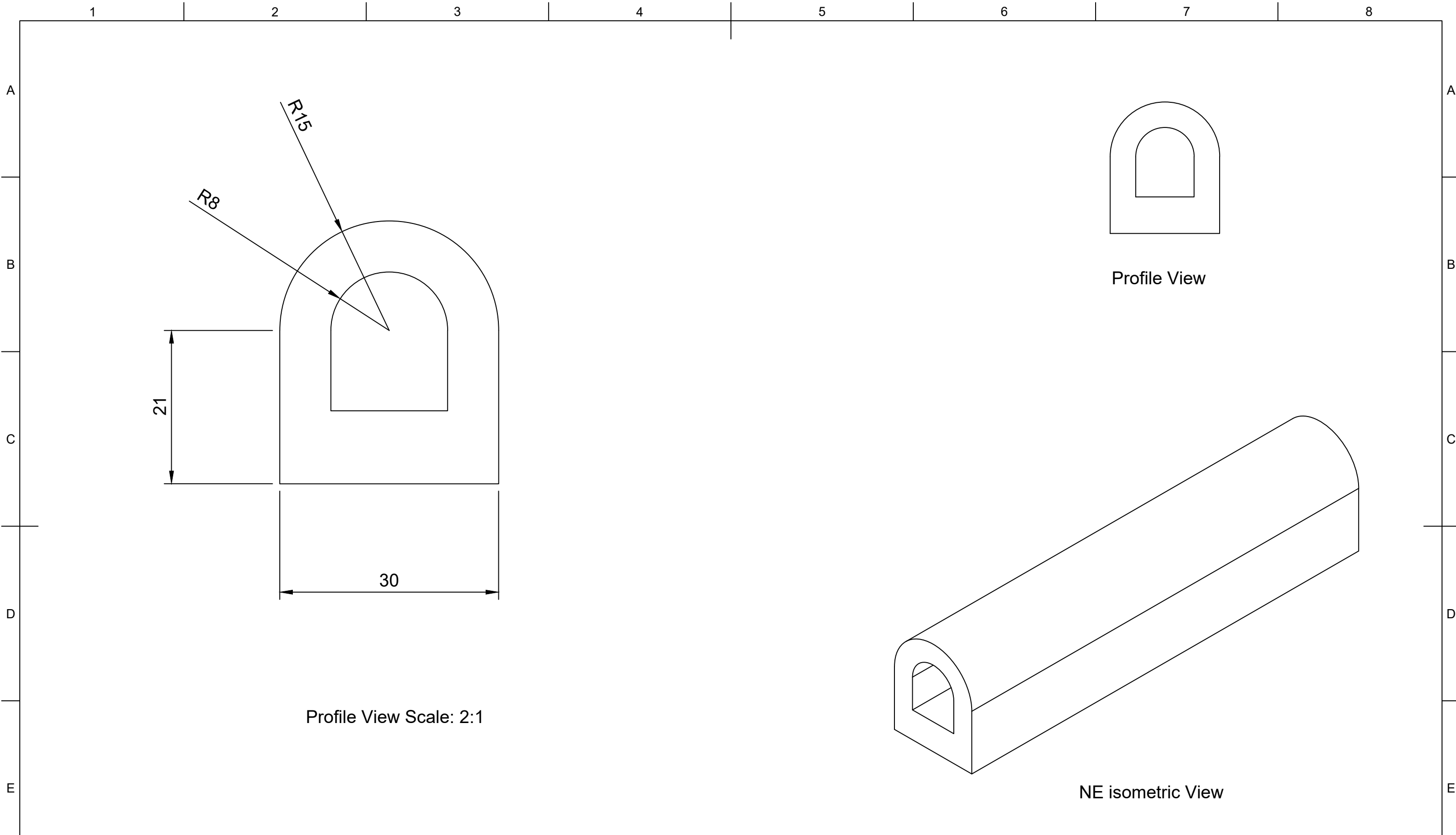
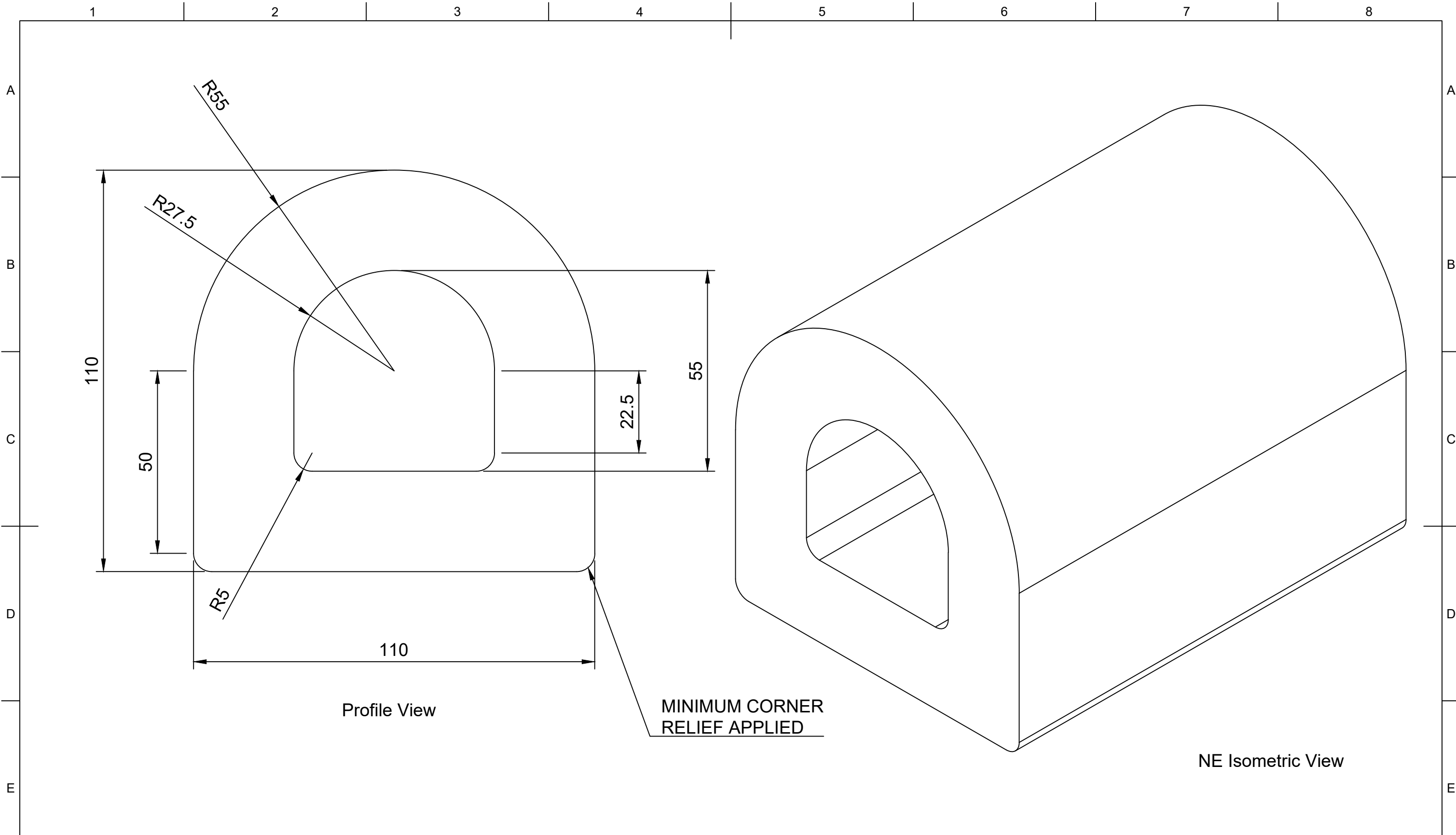


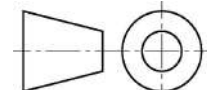


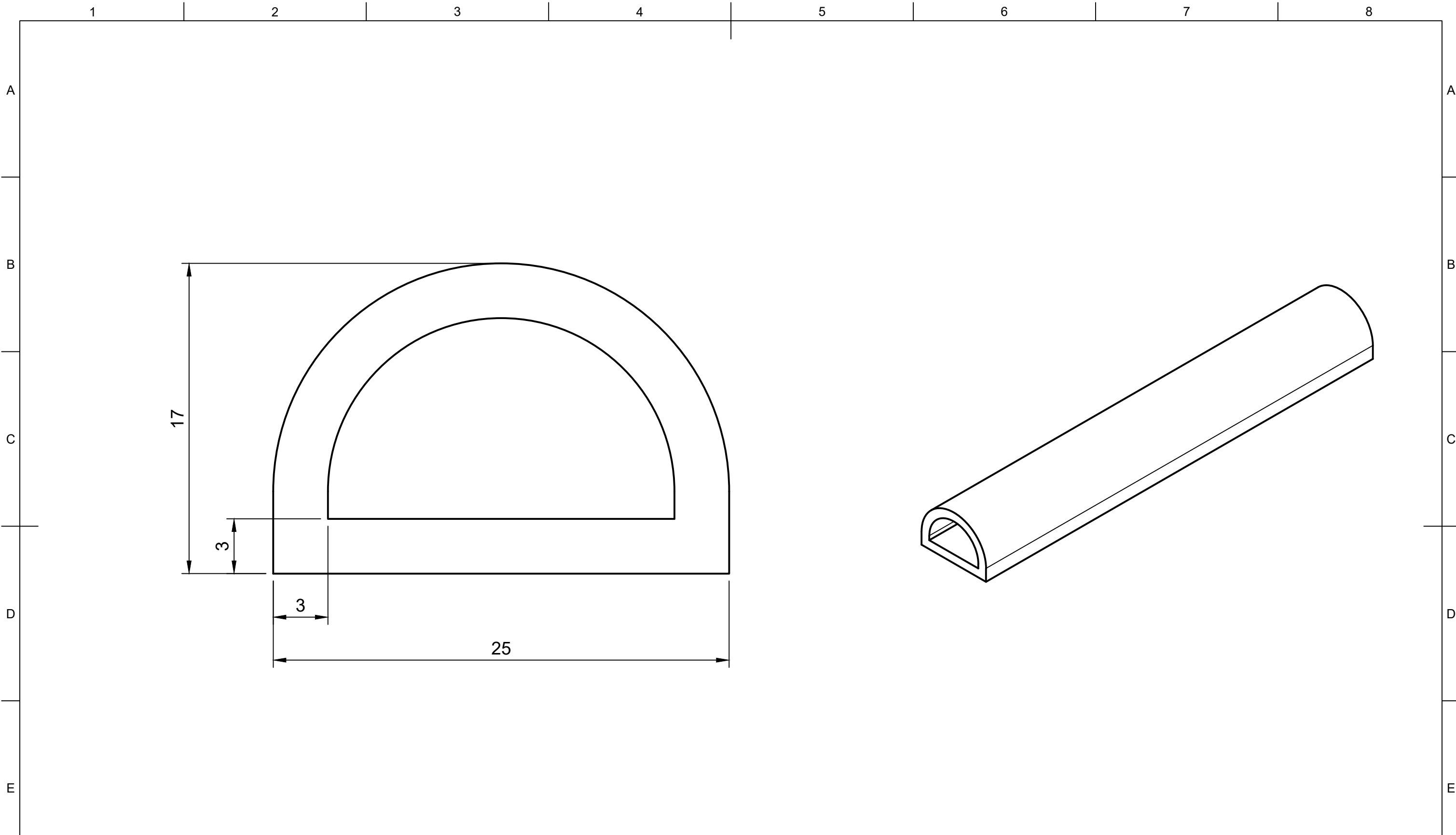
D Sections



Part Number	200019				Created By	David Stirling	Cross Sectional Area (mm²)	707		Nominal Dimension (mm)		Tolerance, ± (mm)			
					Date Drawn	03/05/2020	Material	Nitrile	Greater Than	Less Than or Equal to	0.00		1.50	0.40	
Description	D Section - D Centre				Approved By		Hardness (Shore A)	70		1.50	2.50	0.50			
					Date of Approval		Colour	Black	2.50	4.00	0.70	4.00	6.30	0.80	
Revision	Date of Issue	Sheet Scale	Sheet Size	Sheet	Projection	3rd Agl.	Weight (g/m)	850		6.30	10.00	1.00			
A	20/01/2022	1:1	A3	1/1	25.00		40.00	2.00	40.00	63.00	2.50	63.00	100.00	3.20	100.00



Part Number 200139		Created By David Stirling		Cross Sectional Area (mm²) 8101		Nominal Dimension (mm)		Tolerance, ± (mm)
		Date Drawn 11/11/2020		Material EPDM		Greater Than	Less Than or Equal to	
Description D Section - D Centre				Approved By		Hardness (Shore A) 70		0.40
				Date of Approval		Colour Black		1.50
Revision A	Date of Issue 20/01/2022	Sheet Scale 1:1	Sheet Size A3	Sheet 1/1	Projection 3rd Agl. 	Weight (g/m) 10.207		2.50
						2.50	40.00	2.00
						40.00	63.00	2.50
						63.00	100.00	3.20
						100.00		3.20%



Part Number
200469

Description
D Section - D Centre

Created By
David Stirling

Date Drawn
03/05/2020

Approved By
Isaac Erskine

Date of Issue
26/04/2023

Material - Hardness (Shore A) - Colour
EPDM - 70 - Black

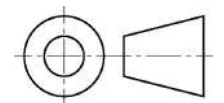
Cross Sectional Area (mm²)
189

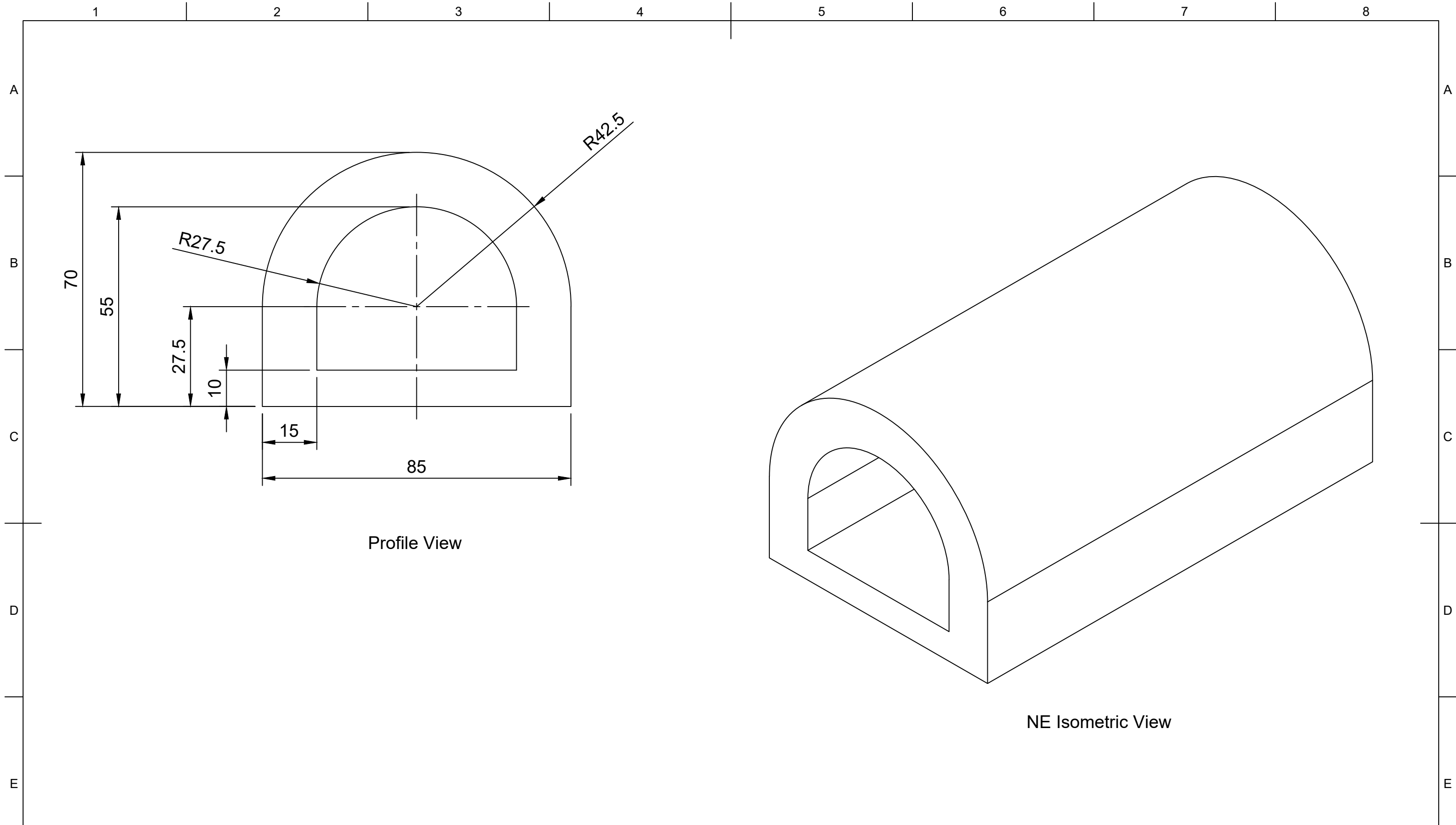
Estimated Weight (g/m)
237

Projection
3rd Angle

Nominal Dimension (mm)		Tolerance, ± (mm)
Greater Than	Less Than or Equal to	
0.00	1.50	0.40
1.50	2.50	0.50
2.50	4.00	0.70
4.00	6.30	0.80
6.30	10.00	1.00
10.00	16.00	1.30
16.00	25.00	1.60
25.00	40.00	2.00
40.00	63.00	2.50
63.00	100.00	3.20
100.00		3.20%


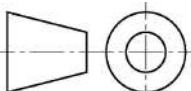
Revision B	ALL DIMENSIONS IN MM DO NOT SCALE	Sheet Scale 5:1	Sheet Size A3	Sheet 1/1
----------------------	---	---------------------------	-------------------------	---------------------

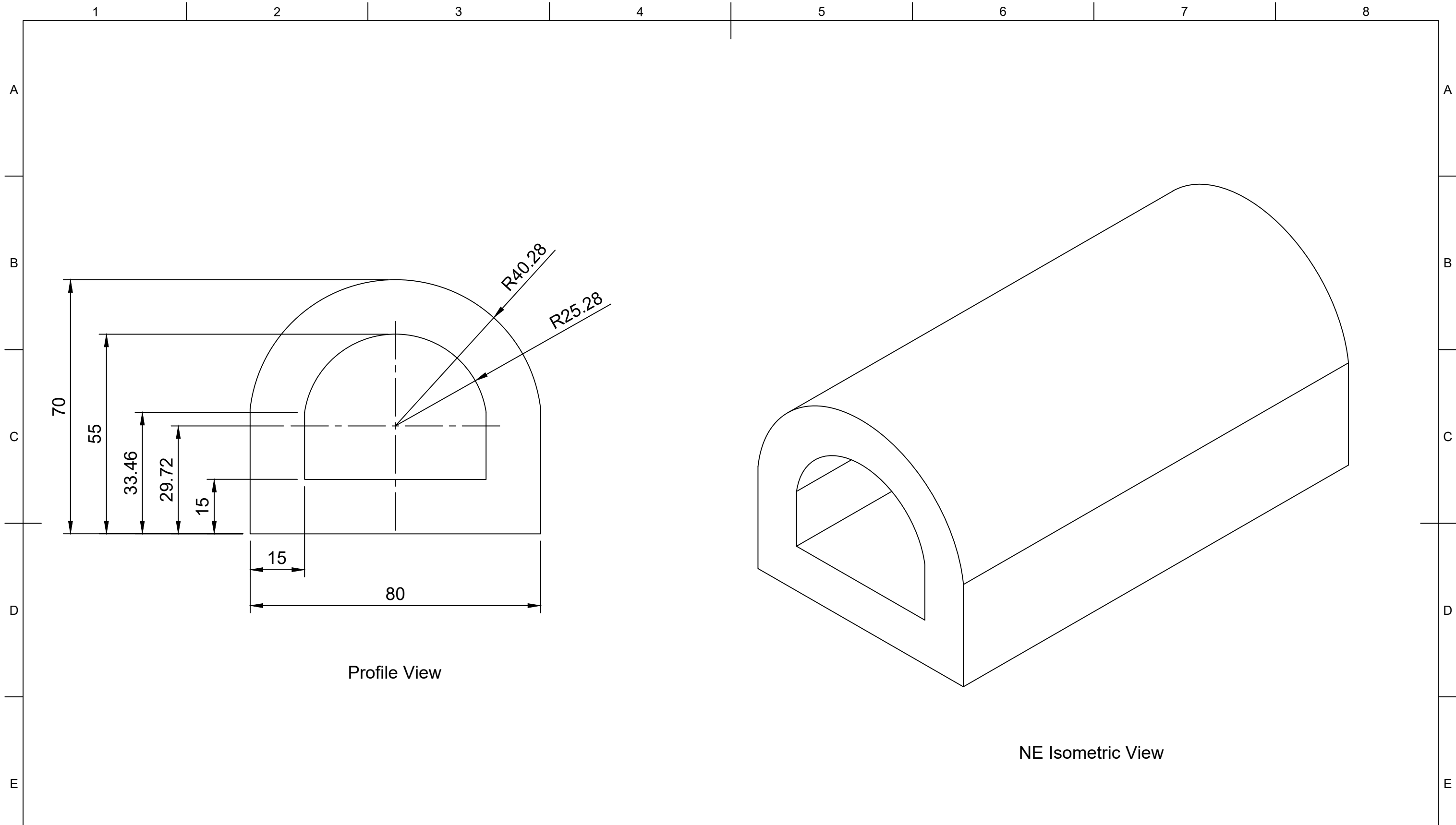




Profile View


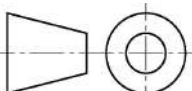
NE Isometric View

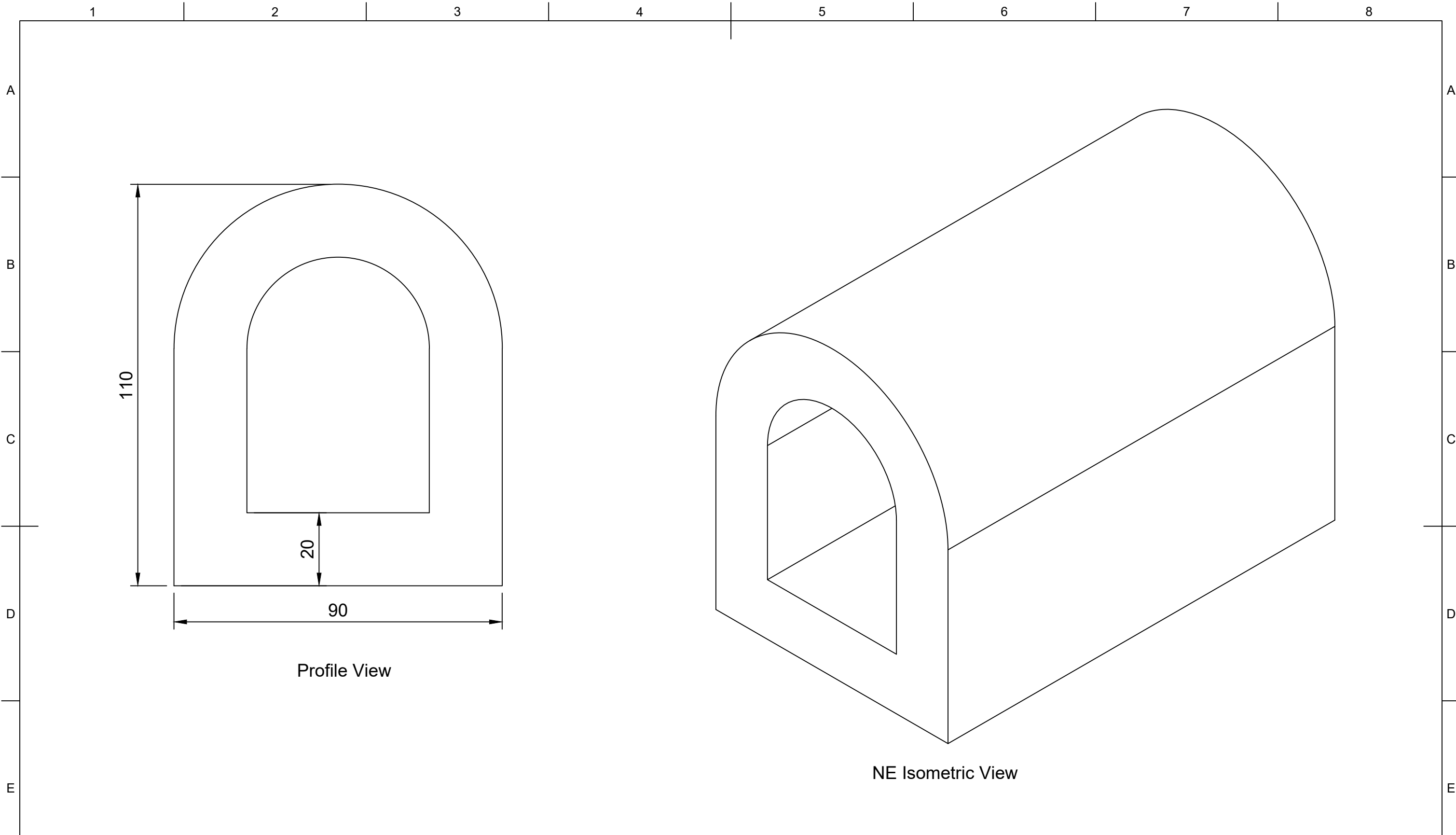
	Part Number				Created By		Cross Sectional Area (mm ²)		Nominal Dimension (mm)		Tolerance, ± (mm)
	200657				David Stirling		3024		Greater Than	Less Than or Equal to	
	Description				Date Drawn		Material		0.00		0.40
					11/05/2020		EPDM		1.50		0.50
	D Section - D Centre				Approved By		Hardness (Shore A)		2.50		0.70
					Date of Approval		70		4.00		0.80
	Revision				Date of Issue		Colour		6.30		1.00
					21/01/2022		Black		10.00		1.30
	A		Sheet Scale		Projection		Weight (kg/m)		16.00		1.60
	1:1		A3		3rd Agl. 		3.810		25.00		2.00
1/1		Sheet Size						40.00		2.50	
1/1		A3						63.00		3.20	
1/1		A3						100.00		3.20	
1/1		A3						100.00		3.20%	



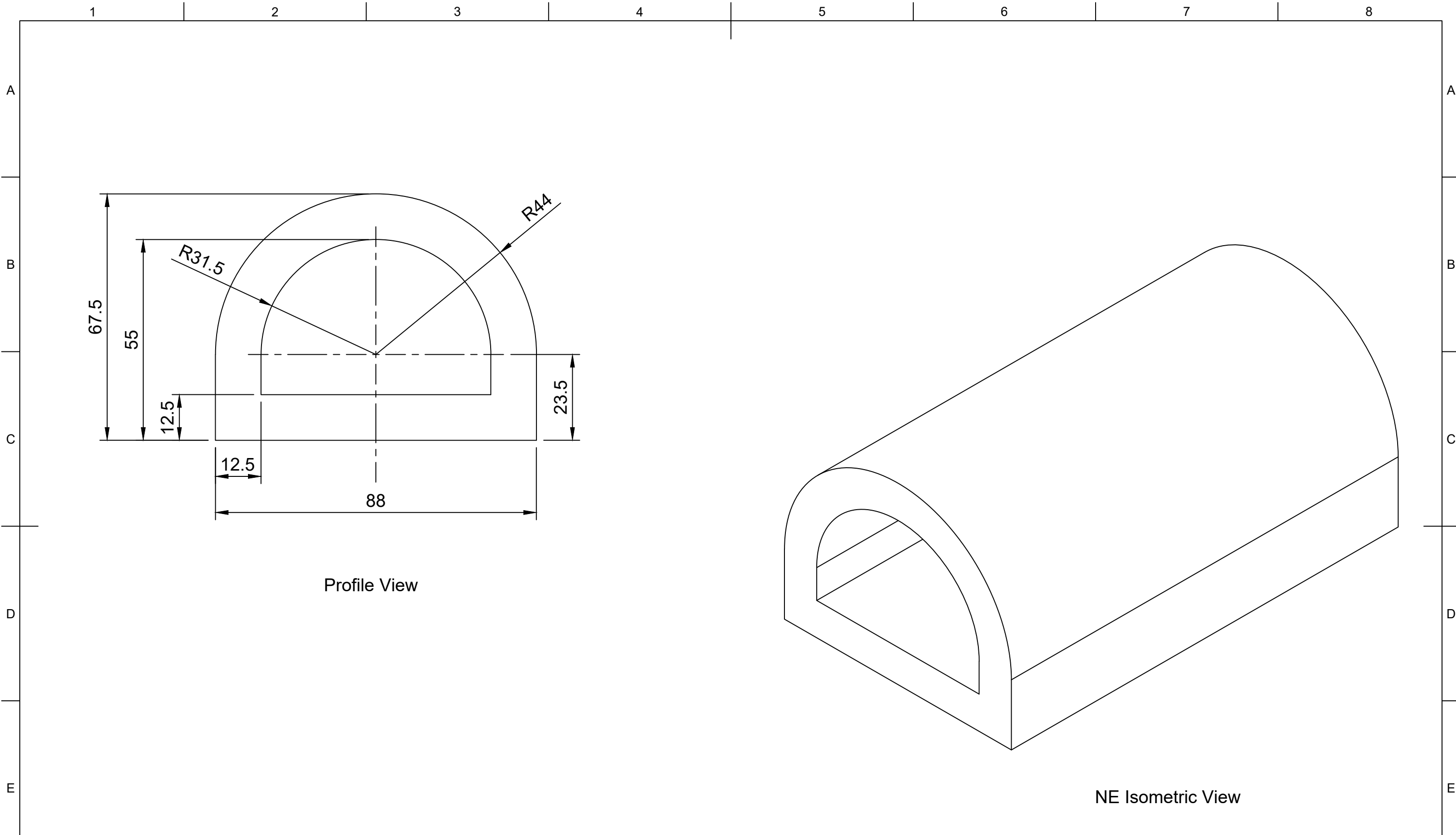
Profile View

NE Isometric View

	Part Number				Created By		Cross Sectional Area (mm ²)		Nominal Dimension (mm)		Tolerance, ± (mm)
	201152				David Stirling		3186		Greater Than	Less Than or Equal to	
	Description				Date Drawn		Material		0.00		0.40
					08/05/2020		EPDM		1.50		0.50
	D Section - D Centre				Approved By		Hardness (Shore A)		2.50		0.70
					Date of Approval		70		4.00		0.80
	Revision				Date of Issue		Colour		6.30		1.00
					21/01/2022		Black		10.00		1.30
	A		Sheet Scale		Sheet Size		Sheet		16.00		1.60
	1:1		A3		1/1		Projection		25.00		2.00
3rd Agl.				Weight (kg/m)		4.014		40.00		2.50	
								63.00		3.20	
								100.00		3.20%	


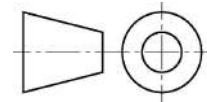


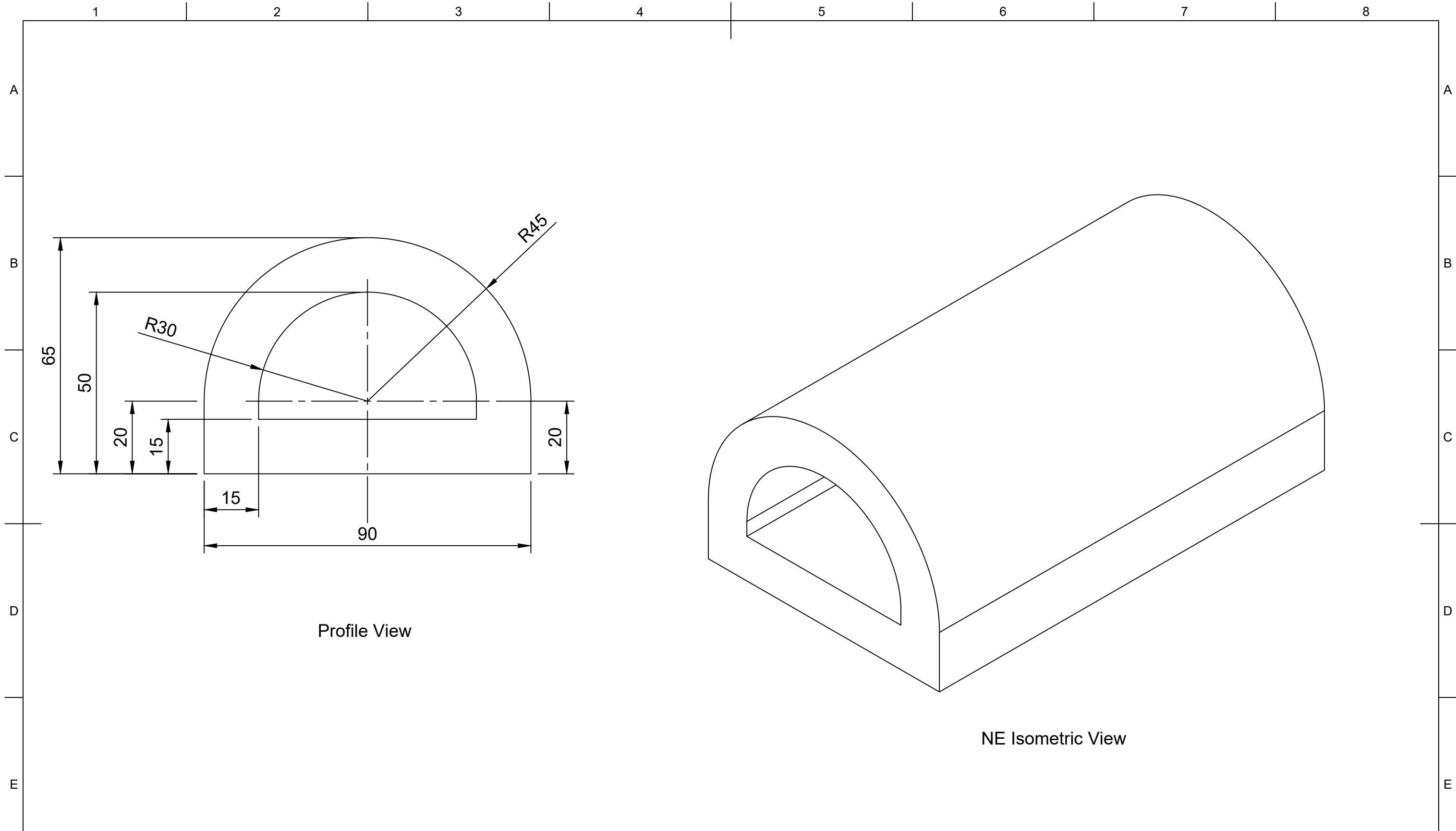
	Part Number				Created By		Cross Sectional Area (mm²)		Nominal Dimension (mm)		Tolerance, ± (mm)
	201961				David Stirling		5800		Greater Than	Less Than or Equal to	
	Description				Date Drawn		Material		0.00	1.50	0.40
	D Section - D Centre				25/09/2020		EPDM		1.50	2.50	0.50
	Revision				Approved By		Hardness (Shore A)		2.50	4.00	0.70
	A	Date of Issue		Sheet Scale	Sheet Size	Sheet	Date of Approval		4.00	6.30	0.80
		24/01/2022		1:1	A3	1/1	3rd Agl.		6.30	10.00	1.00
							Weight (kg/m)		10.00	16.00	1.30
							7.308		16.00	25.00	1.60
									25.00	40.00	2.00
								40.00	63.00	2.50	
								63.00	100.00	3.20	
								100.00		3.20%	



Profile View


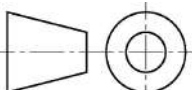
NE Isometric View

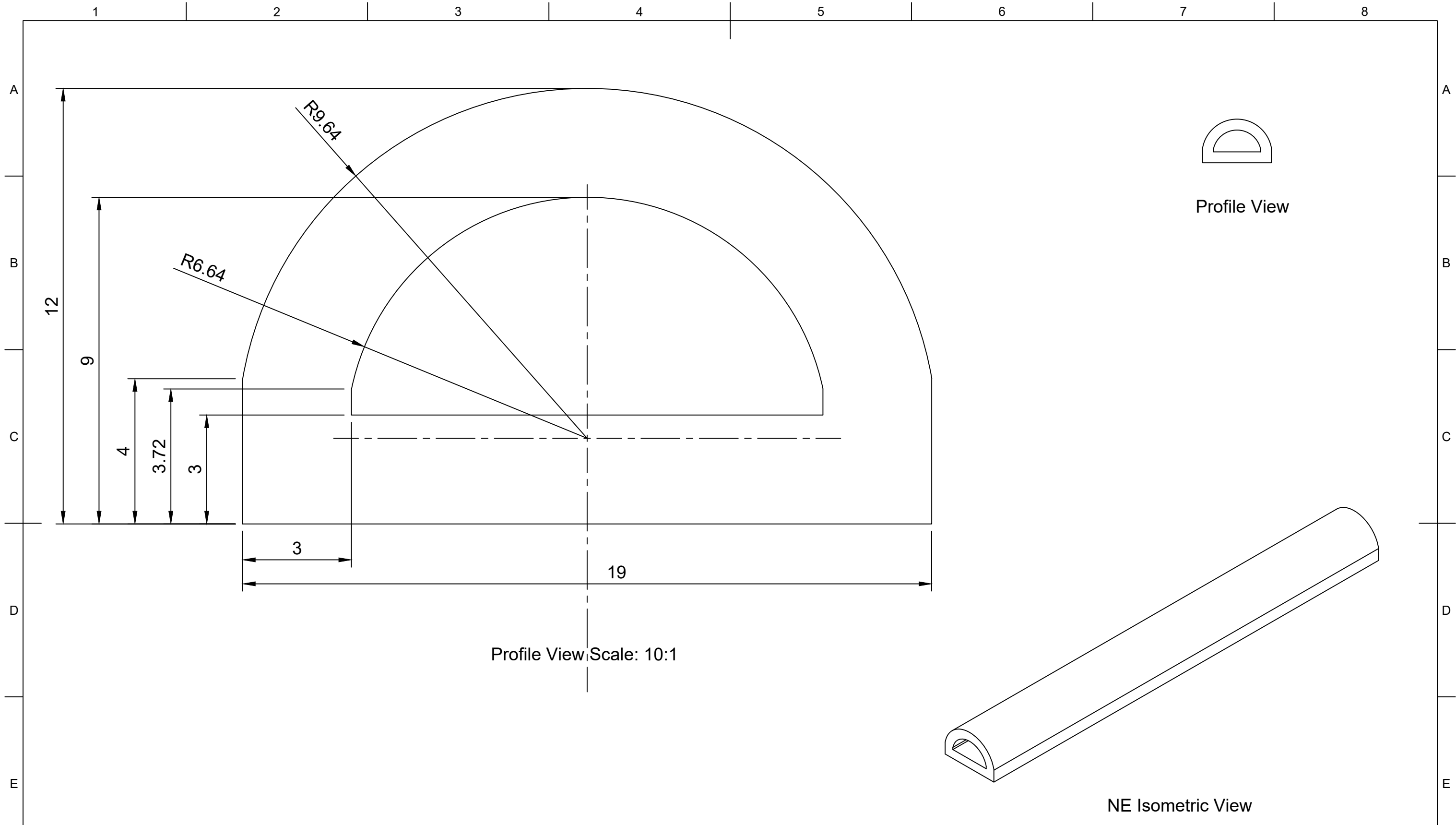
	Part Number				Created By		Cross Sectional Area (mm ²)		Nominal Dimension (mm)		Tolerance, ± (mm)
	202500				David Stirling		2857		Greater Than	Less Than or Equal to	
	Description				Date Drawn		Material		0.00		0.40
					11/05/2020		EPDM		1.50		0.50
	D Section - D Centre				Approved By		Hardness (Shore A)		2.50		0.70
					Date of Approval		70		4.00		0.80
	Revision				Date of Approval		Colour		6.30		1.00
					Black		10.00		16.00		1.30
	A		21/01/2022		Sheet Scale		Weight (kg/m)		25.00		2.00
	1:1		A3		Sheet		3.600		40.00		2.50
1/1		3rd Agl.		Projection				63.00		3.20	
								100.00		3.20%	



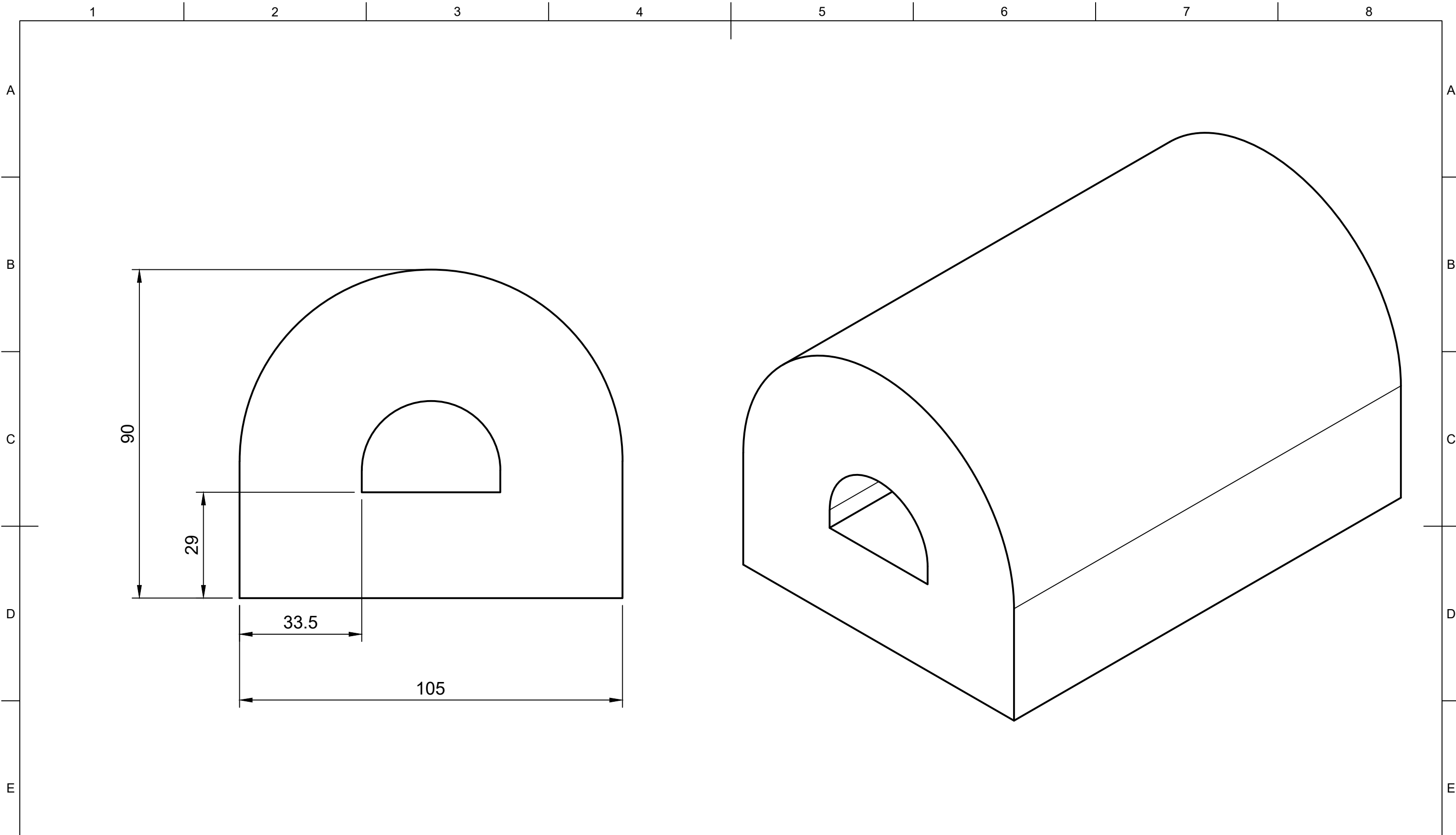
Profile View

NE Isometric View

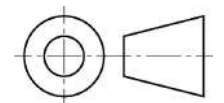
	Part Number				Created By		Cross Sectional Area (mm²)		Nominal Dimension (mm)		Tolerance, ± (mm)								
	202902				David Stirling		3267		Greater Than	Less Than or Equal to									
	Description				Date Drawn		Material		0.00	1.50	0.40								
					12/05/2020		EPDM		1.50	2.50	0.50								
	D Section - D Centre				Approved By		Hardness (Shore A)		2.50	4.00	0.70								
					Date of Approval		70		4.00	6.30	0.80								
							Black		6.30	10.00	1.00								
	Revision A				Date of Issue 24/01/2022		Sheet Scale 1:1		Sheet Size A3		Sheet 1/1		Projection 3rd Agl. 		Weight (kg/m)				
															4.116		10.00	16.00	1.30
															25.00		40.00		1.60
40.00															63.00		2.00		
63.00		100.00		2.50															
100.00				3.20															
				3.20%															

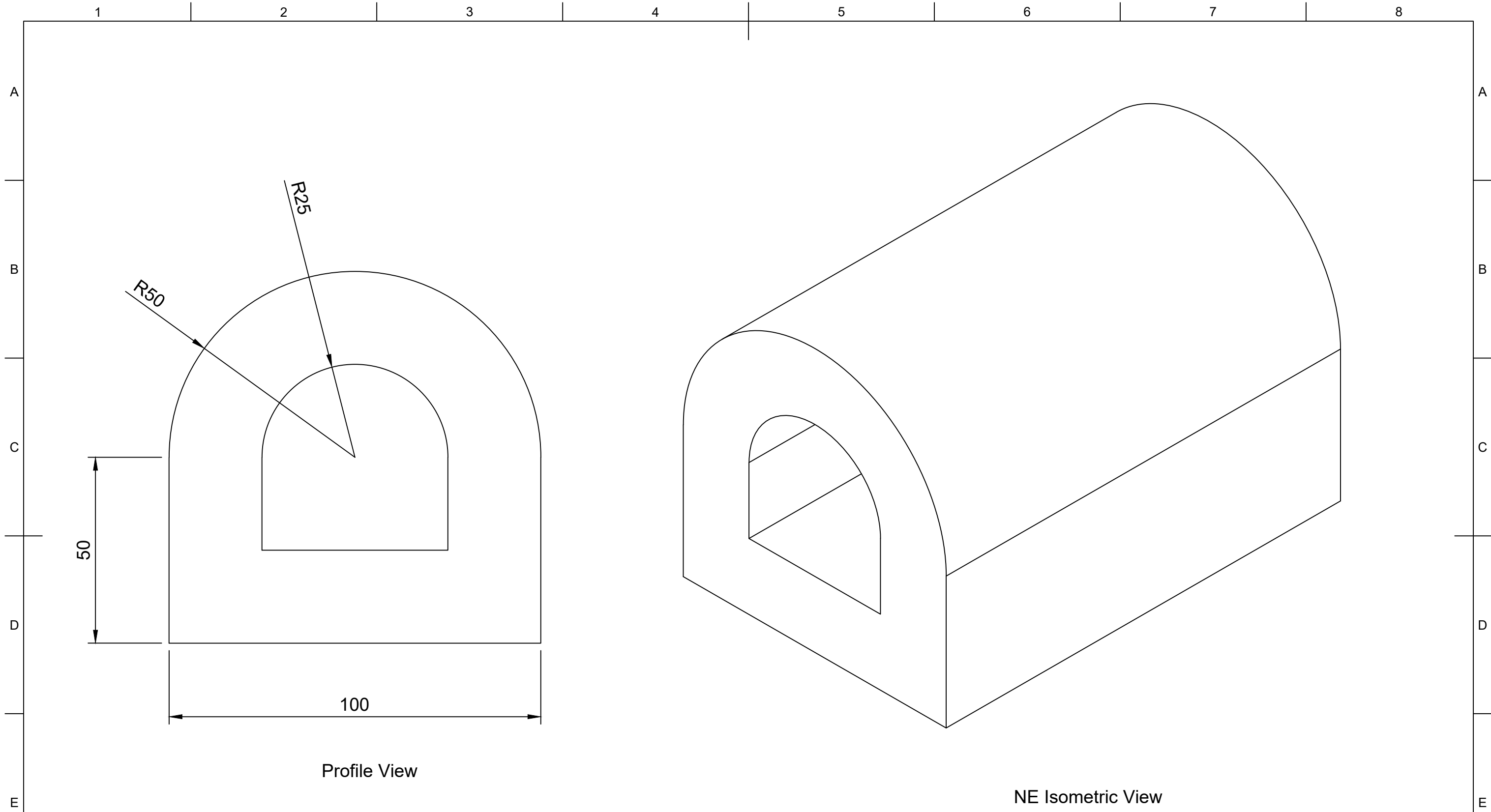


Part Number		202932			Created By	David Stirling	Cross Sectional Area (mm ²)	130		Nominal Dimension (mm)		Tolerance, ± (mm)
					Date Drawn	02/05/2020	Material	EPDM	Greater Than	Less Than or Equal to	0.00	
Description		D Section - D Centre			Approved By		Hardness (Shore A)	70		1.50	2.50	0.50
					Date of Approval		Colour	Black	2.50	4.00	0.70	4.00
Revision	Date of Issue	Sheet Scale	Sheet Size	Sheet	Projection	3rd Agl.	Weight (g/m)	164		6.30	10.00	1.00
A	20/01/2022	1:1	A3	1/1			10.00	16.00	1.30	16.00	25.00	1.60
							25.00	40.00	2.00	40.00	63.00	2.50
							63.00	100.00	3.20	63.00	100.00	3.20
							100.00		3.20%	100.00		3.20%




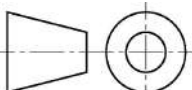
Part Number	203603				Created By	Isaac Erskine	Material - Hardness (Shore A) - Colour	EPDM - 70 - Black		Nominal Dimension (mm)		Tolerance, ± (mm)
	Description D Section - D Centre				Date Drawn	15/12/2022	Cross Sectional Area (mm ²)	7472		Greater Than	Less Than or Equal to	
Revision					ALL DIMENSIONS IN MM DO NOT SCALE	Sheet Scale	Sheet Size	Sheet	Date of Issue	Approved By	Estimated Weight (kg/m)	0.00
	1.00	1.00	1.00									
B		1:1	A3	1/1	11/05/2023	Nathan Abel	9.4	10.00	16.00	16.00	1.30	
								25.00	25.00	25.00	1.60	
								40.00	40.00	40.00	2.00	
								63.00	63.00	63.00	2.50	
								100.00	100.00	100.00	3.20	
											3.20%	

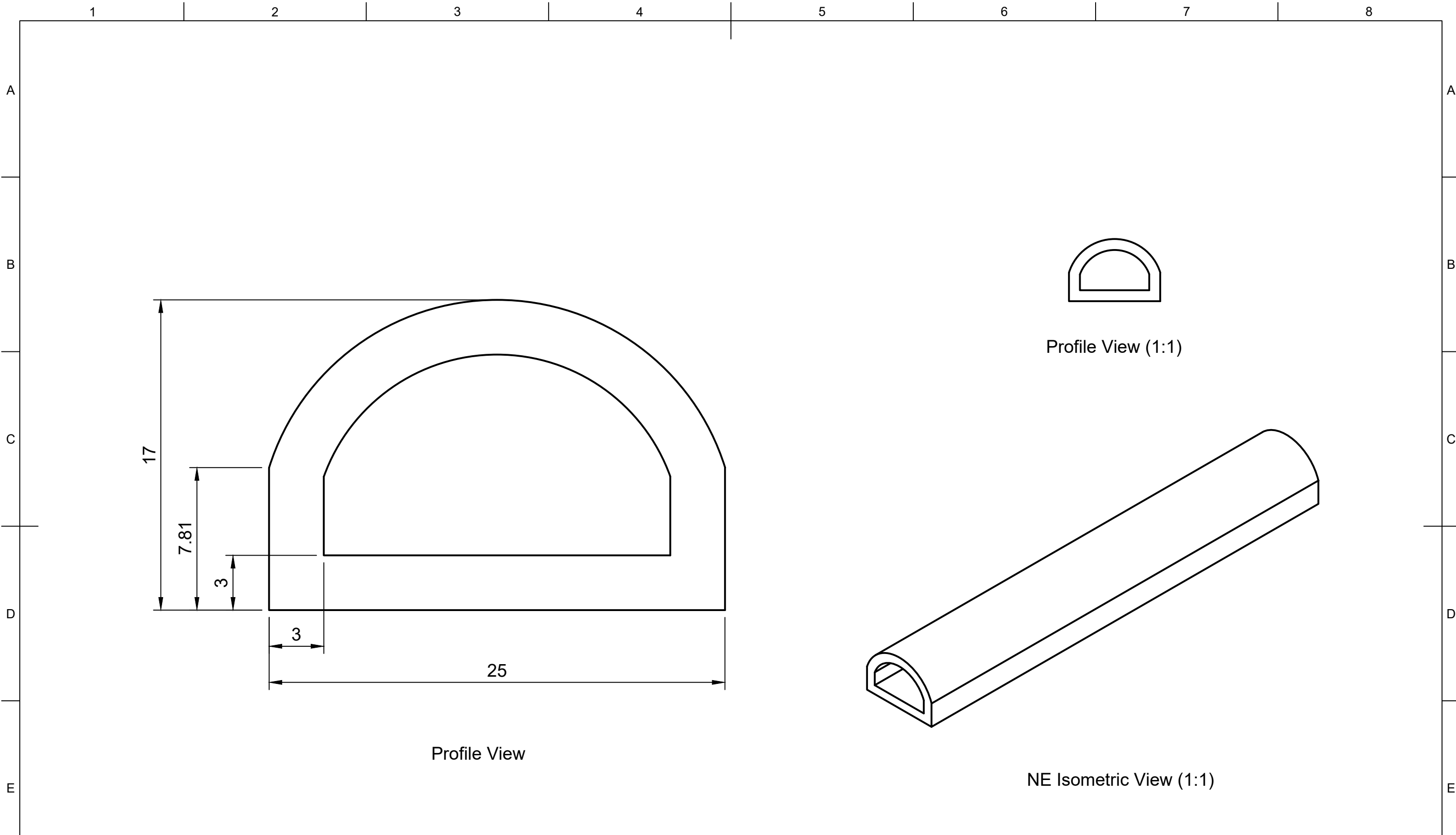




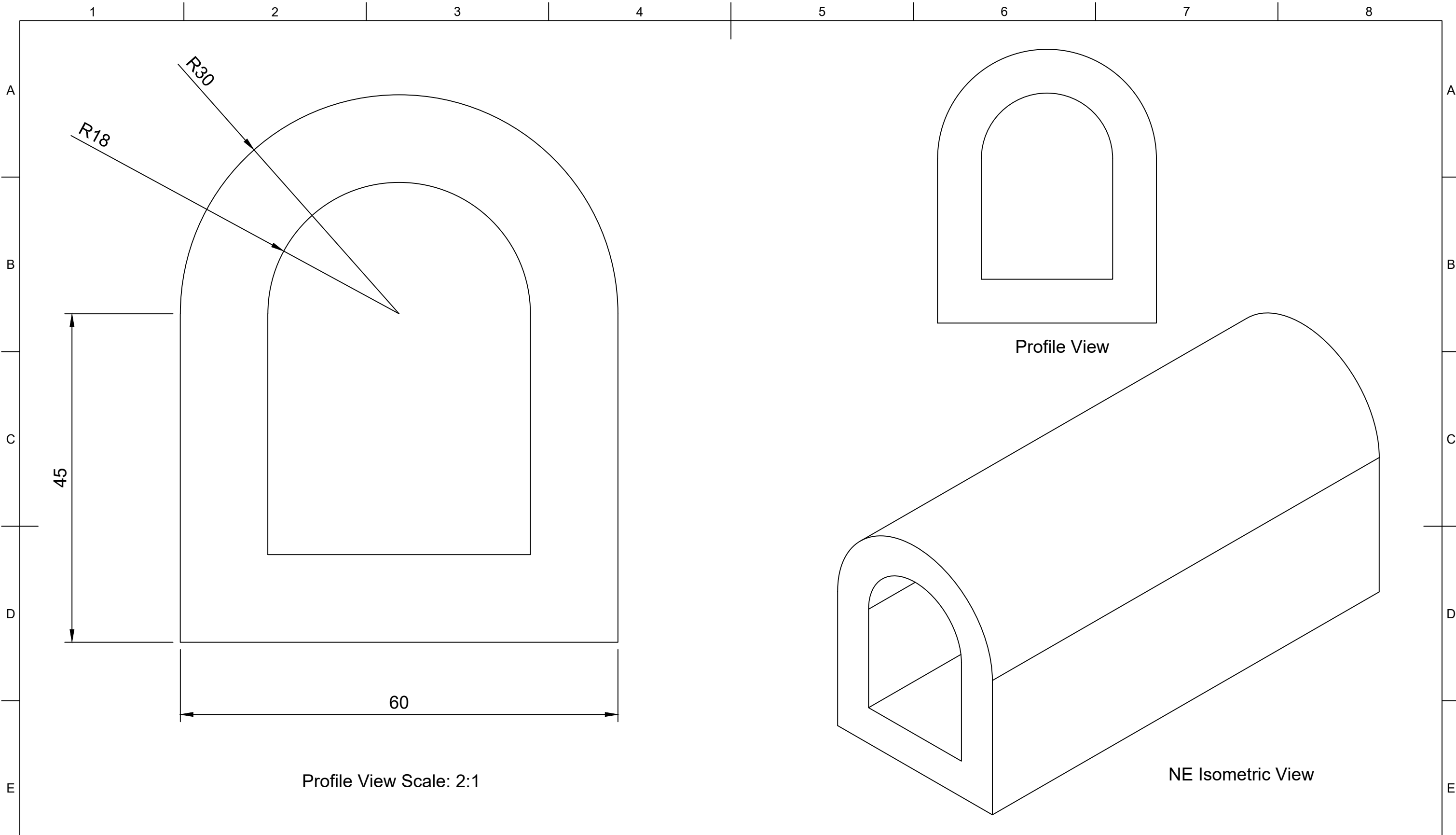
Profile View


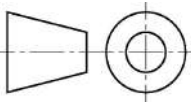
NE Isometric View

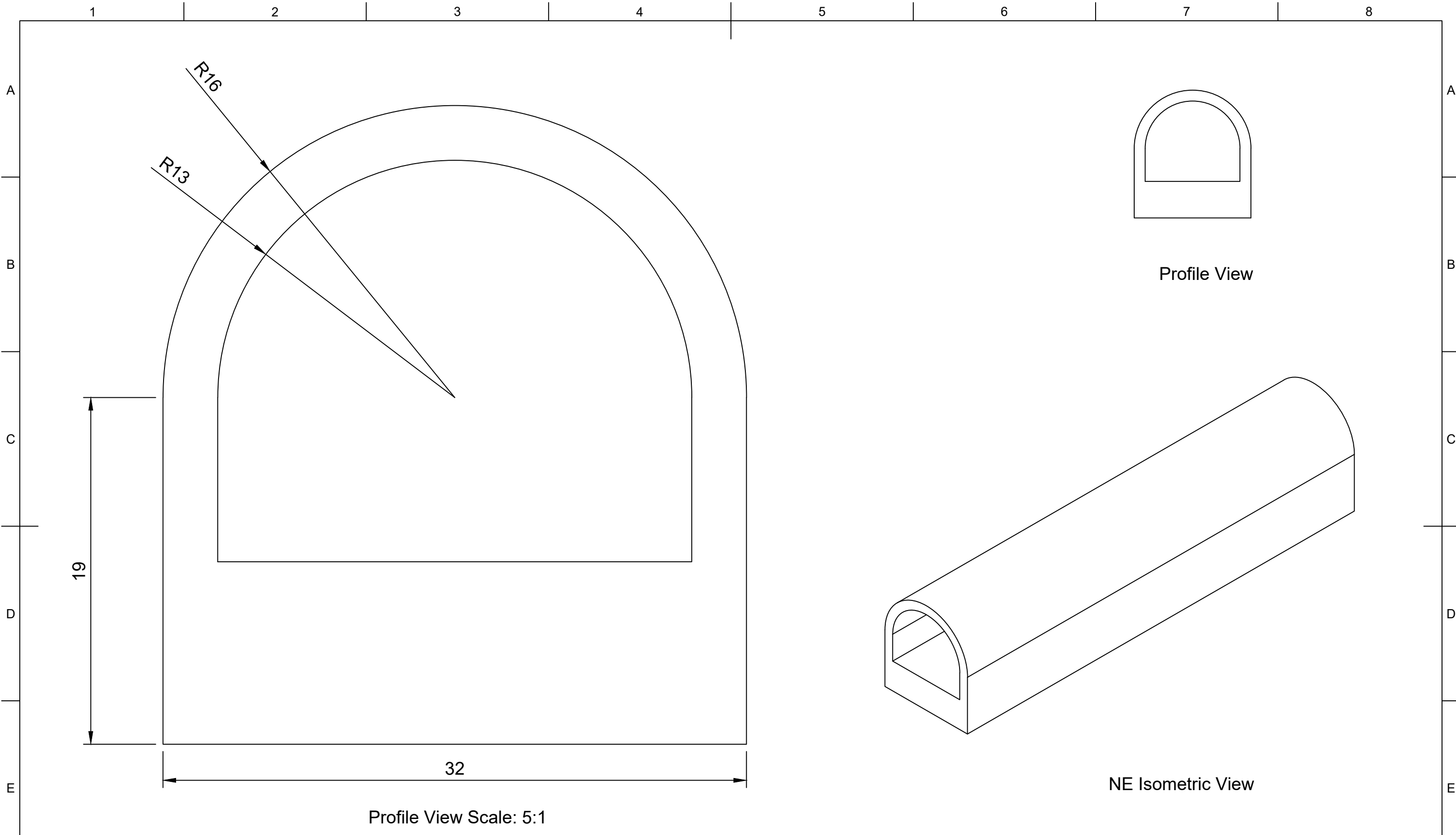
	Part Number				Created By		Cross Sectional Area (mm ²)		Nominal Dimension (mm)		Tolerance, ± (mm)
	203629				David Stirling		6695		Greater Than	Less Than or Equal to	
	Description				Date Drawn		Material		0.00		0.40
	D Section - D Centre				29/04/2020		EPDM		1.50		0.50
	Revision				Approved By		Hardness (Shore A)		2.50		0.70
	A				Date of Approval		70		4.00		0.80
	Date of Issue				Date of Approval		Colour		6.30		1.00
	19/01/2022				3rd Agl.		Black		10.00		1.30
	Sheet Scale				Projection		Weight (kg/m)		16.00		1.60
	1:1				3rd Agl. 		8.435		25.00		2.00
Sheet Size								40.00		2.50	
A3								63.00		3.20	
Sheet								100.00		3.20%	
1/1											



Part Number		203671			Created By	David Stirling	Cross Sectional Area (mm ²)	Nominal Dimension (mm)		Tolerance, ± (mm)
					Date Drawn	20/01/2022	Material	Neoprene	Greater Than	
Description		D Section - D Centre			Approved By		Hardness (Shore A)	0.00	1.50	0.40
					Date of Approval		Colour	Black	1.50	2.50
Revision	Date of Issue	Sheet Scale	Sheet Size	Sheet	Projection 3rd Agl.	Weight (g/m)	2.50	4.00	0.70	
A	20/01/2022	5:1	A3	1/1			4.00	6.30	0.80	
							6.30	10.00	1.00	
							10.00	16.00	1.30	
							16.00	25.00	1.60	
							25.00	40.00	2.00	
							40.00	63.00	2.50	
							63.00	100.00	3.20	
							100.00		3.20%	


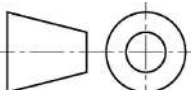


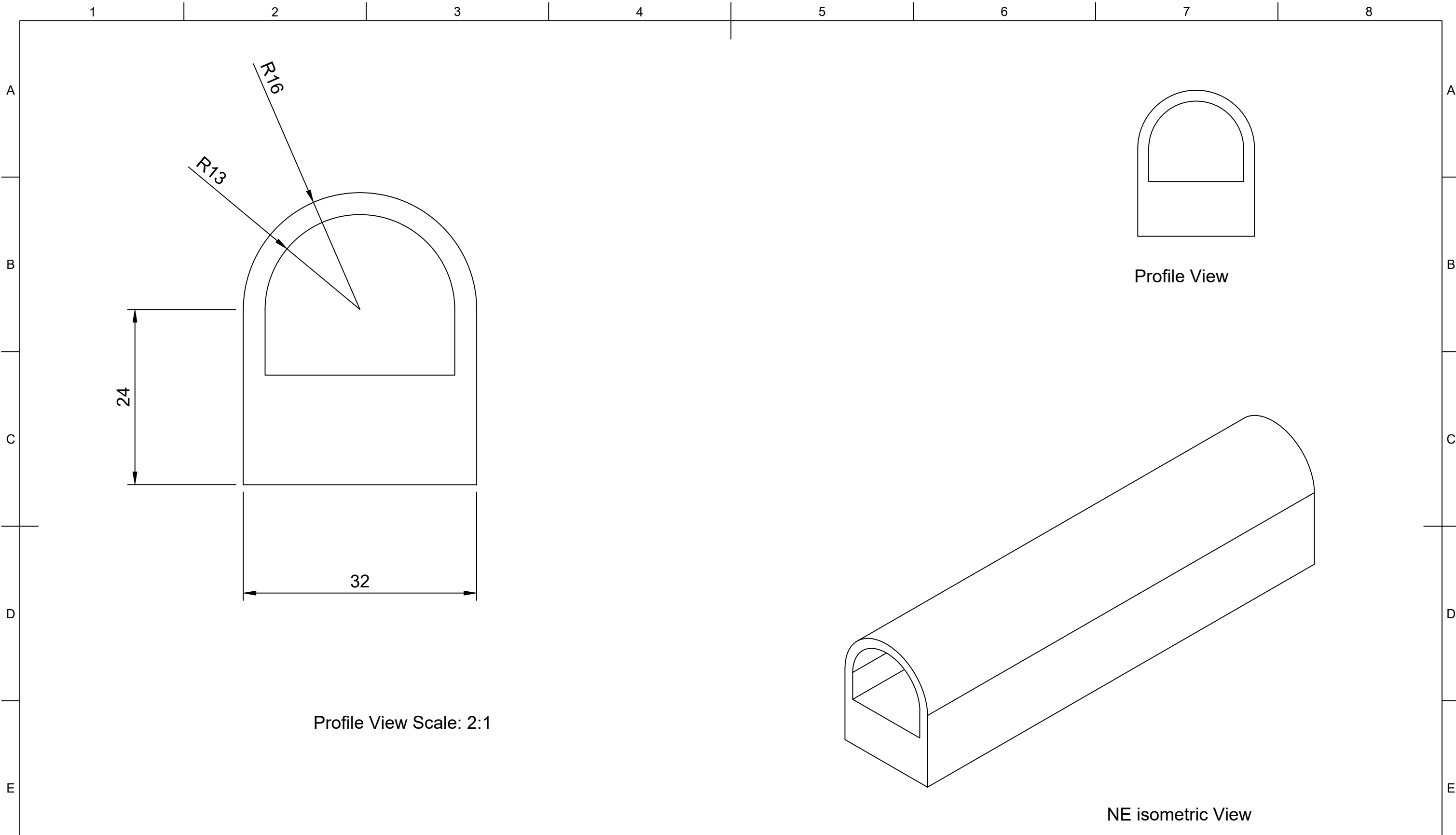
	Part Number				Created By		Cross Sectional Area (mm²)		Nominal Dimension (mm)		Tolerance, ± (mm)	
	203949				David Stirling		2417		Greater Than	Less Than or Equal to		
	Description				Date Drawn		Material		0.00	1.50	0.40	
	D Section - D Centre				06/05/2020		EPDM		1.50	2.50	0.50	
	Revision				Approved By		Hardness (Shore A)		2.50	4.00	0.70	
	A	21/01/2022		Sheet Scale		Date of Approval		70		4.00	6.30	0.80
				Sheet Size		Colour		Black		6.30	10.00	1.00
				Sheet		Weight (kg/m)		3.045		10.00	16.00	1.30
				1/1		Projection		3rd Agl.		16.00	25.00	1.60
										25.00	40.00	2.00
									40.00	63.00	2.50	
									63.00	100.00	3.20	
									100.00		3.20%	



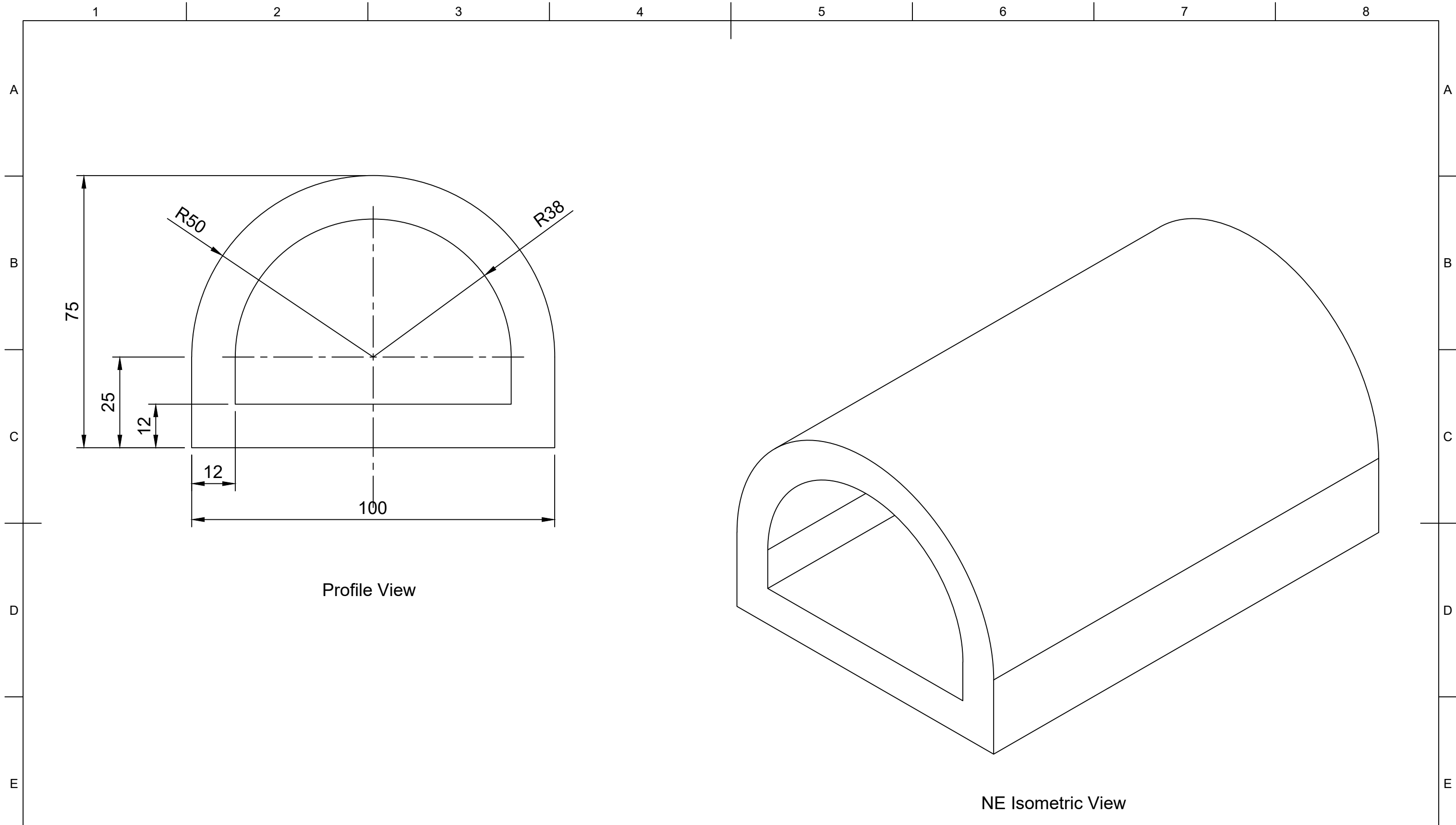
Profile View Scale: 5:1

NE Isometric View

	Part Number				Created By		Cross Sectional Area (mm ²)		Nominal Dimension (mm)		Tolerance, ± (mm)
	204187				David Stirling		511		Greater Than	Less Than or Equal to	
	Description				Date Drawn		Material		0.00	1.50	0.40
	D Section - D Centre				03/05/2020		EPDM		1.50	2.50	0.50
Revision				Approved By		Hardness (Shore A)		2.50	4.00	0.70	
Date of Issue				Date of Approval		Colour		4.00	6.30	0.80	
Sheet Scale				Projection		Weight (g/m)		6.30	10.00	1.00	
Sheet Size				3rd Agl. 		640		10.00	16.00	1.30	
Sheet								16.00	25.00	1.60	
A				21/01/2022				25.00	40.00	2.00	
1:1				A3				40.00	63.00	2.50	
				1/1				63.00	100.00	3.20	
								100.00		3.20%	


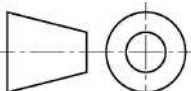


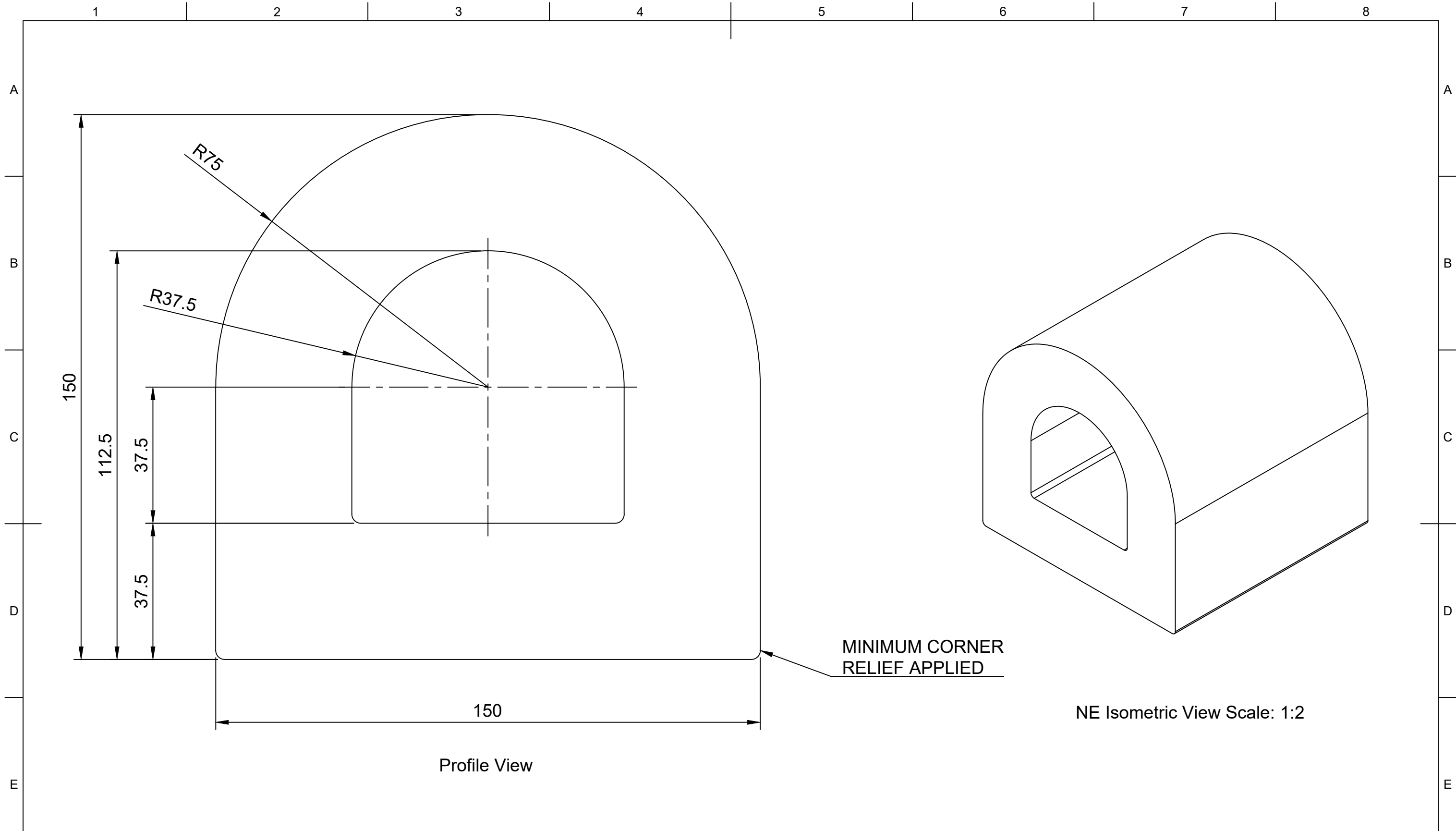
Part Number	204782				Created By	David Stirling	Cross Sectional Area (mm ²)	671		Nominal Dimension (mm)		Tolerance, ± (mm)																					
	Date Drawn	04/05/2020		Material	EPDM	Greater Than	Less Than or Equal to																										
Description	D Section - D Centre				Approved By		Hardness (Shore A)	70		0.00	1.50	0.40																					
	Date of Approval			Colour	Black	1.50	2.50			0.50																							
Revision	Date of Issue	Sheet Scale	Sheet Size	Sheet	Projection	3rd Agl.	Weight (g/m)	832		2.50	4.00	0.70																					
A	21/01/2022	1:1	A3	1/1			25.00	40.00			1.00																						
<table border="1"> <tr> <td>6.30</td> <td>10.00</td> <td>1.00</td> </tr> <tr> <td>10.00</td> <td>16.00</td> <td>1.30</td> </tr> <tr> <td>16.00</td> <td>25.00</td> <td>1.60</td> </tr> <tr> <td>25.00</td> <td>40.00</td> <td>2.00</td> </tr> <tr> <td>40.00</td> <td>63.00</td> <td>2.50</td> </tr> <tr> <td>63.00</td> <td>100.00</td> <td>3.20</td> </tr> <tr> <td>100.00</td> <td></td> <td>3.20%</td> </tr> </table>													6.30	10.00	1.00	10.00	16.00	1.30	16.00	25.00	1.60	25.00	40.00	2.00	40.00	63.00	2.50	63.00	100.00	3.20	100.00		3.20%
6.30	10.00	1.00																															
10.00	16.00	1.30																															
16.00	25.00	1.60																															
25.00	40.00	2.00																															
40.00	63.00	2.50																															
63.00	100.00	3.20																															
100.00		3.20%																															



Profile View

NE Isometric View

	Part Number				Created By		Cross Sectional Area (mm ²)		Nominal Dimension (mm)		Tolerance, ± (mm)
	205813				David Stirling		3171		Greater Than	Less Than or Equal to	
	Description				Date Drawn		Material		0.00		0.40
					29/04/2020		EPDM		1.50		0.50
	D Section - D Centre				Approved By		Hardness (Shore A)		2.50		0.70
					Date of Approval		70		4.00		0.80
	Revision				Date of Issue		Colour		6.30		1.00
					19/01/2022		Black		10.00		1.30
	A		Sheet Scale		Projection		Weight (kg/m)		16.00		1.60
	1:1		A3		3rd Agl. 		3.995		25.00		2.00
1/1		Sheet Size		Sheet				40.00		2.50	
		A3		1/1				63.00		3.20	
								100.00		3.20%	



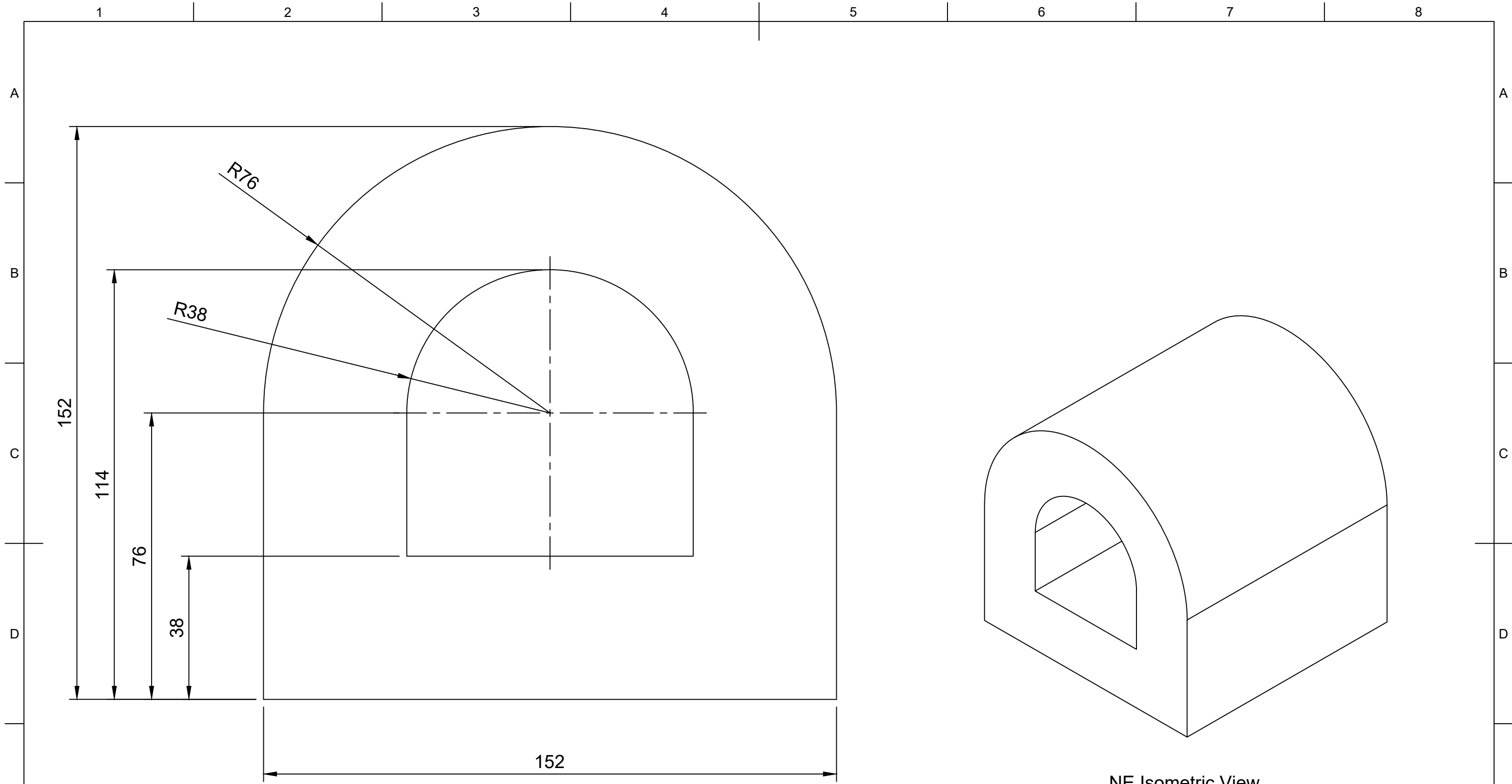
Profile View

NE Isometric View Scale: 1:2

MINIMUM CORNER RELIEF APPLIED


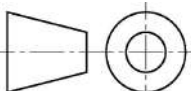


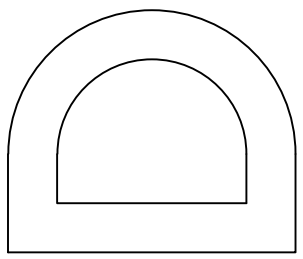
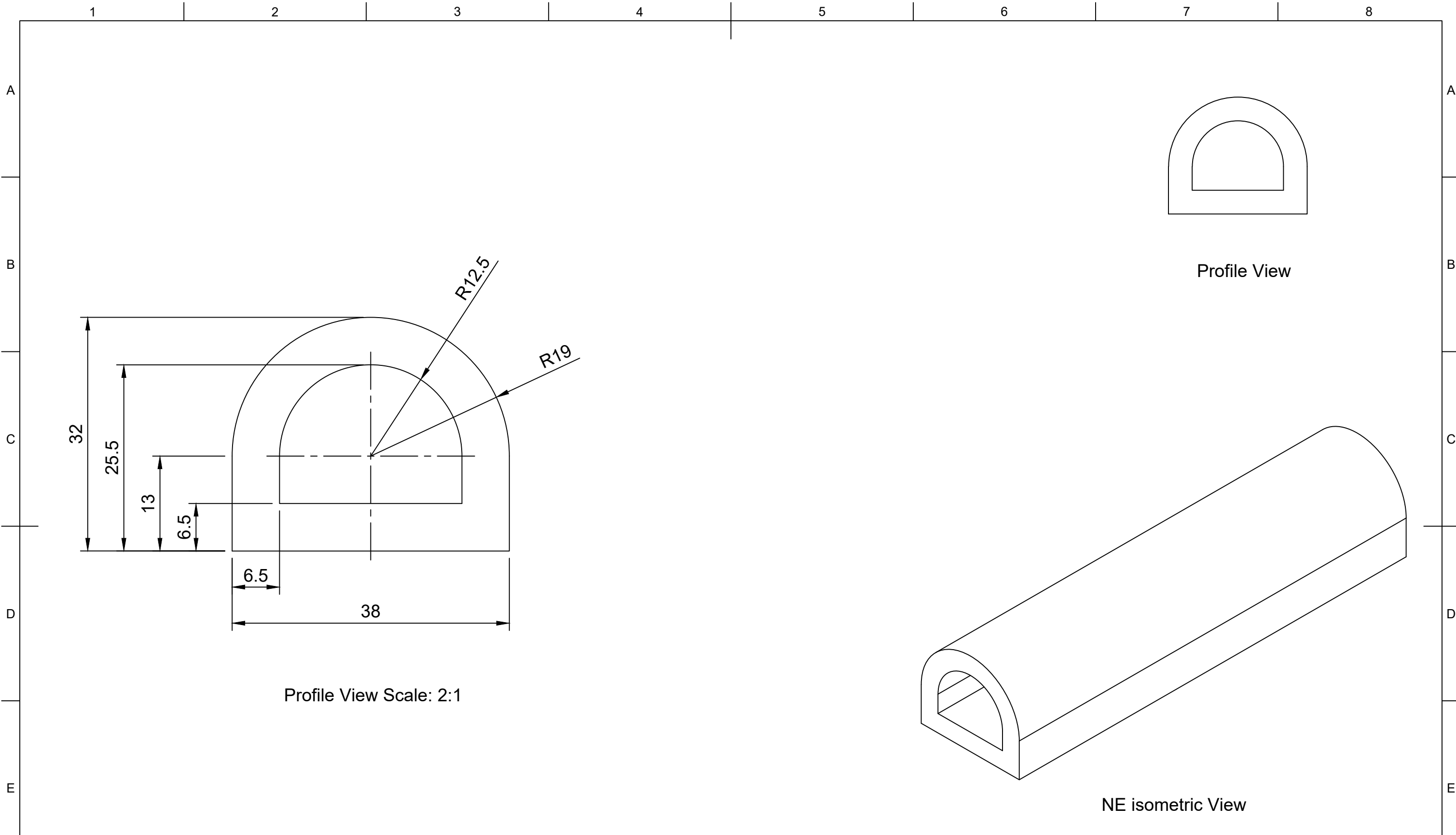
	Part Number				Created By		Cross Sectional Area (mm ²)		Nominal Dimension (mm)		Tolerance, ± (mm)
	206000				David Stirling		15064		Greater Than	Less Than or Equal to	
	Description				Date Drawn		Material		0.00		0.40
	D Section - D Centre				01/05/2020		EPDM		1.50		0.50
	Revision				Approved By		Hardness (Shore A)		2.50		0.70
	A	Date of Issue		Sheet Scale	Sheet Size	Sheet	Date of Approval		4.00		0.80
		20/01/2022		1:1	A3	1/1	Colour		6.30		1.00
							Weight (kg/m)		10.00		1.30
							3rd Agl.		16.00		1.60
									25.00		2.00
								40.00		2.50	
								63.00		3.20	
								100.00		3.20%	



Profile View Scale 10:1

NE Isometric View


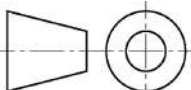
	Part Number				Created By		Cross Sectional Area (mm ²)		Nominal Dimension (mm)		Tolerance, ± (mm)
	206142				David Stirling		15469		Greater Than	Less Than or Equal to	
	Description				Date Drawn		Material		0.00		0.40
					01/05/2020		EPDM		1.50		0.50
	D Section - D Centre				Approved By		Hardness (Shore A)		2.50		0.70
					Date of Approval		70		4.00		0.80
	Revision				Date of Issue		Colour		6.30		1.00
					20/01/2022		Black		10.00		1.30
	A		Sheet Scale		Projection		Weight (g/m)		16.00		1.60
	1:1		A3		3rd Agl. 		19.491		25.00		2.00
1/1								40.00		2.50	
								63.00		3.20	
								100.00		3.20%	

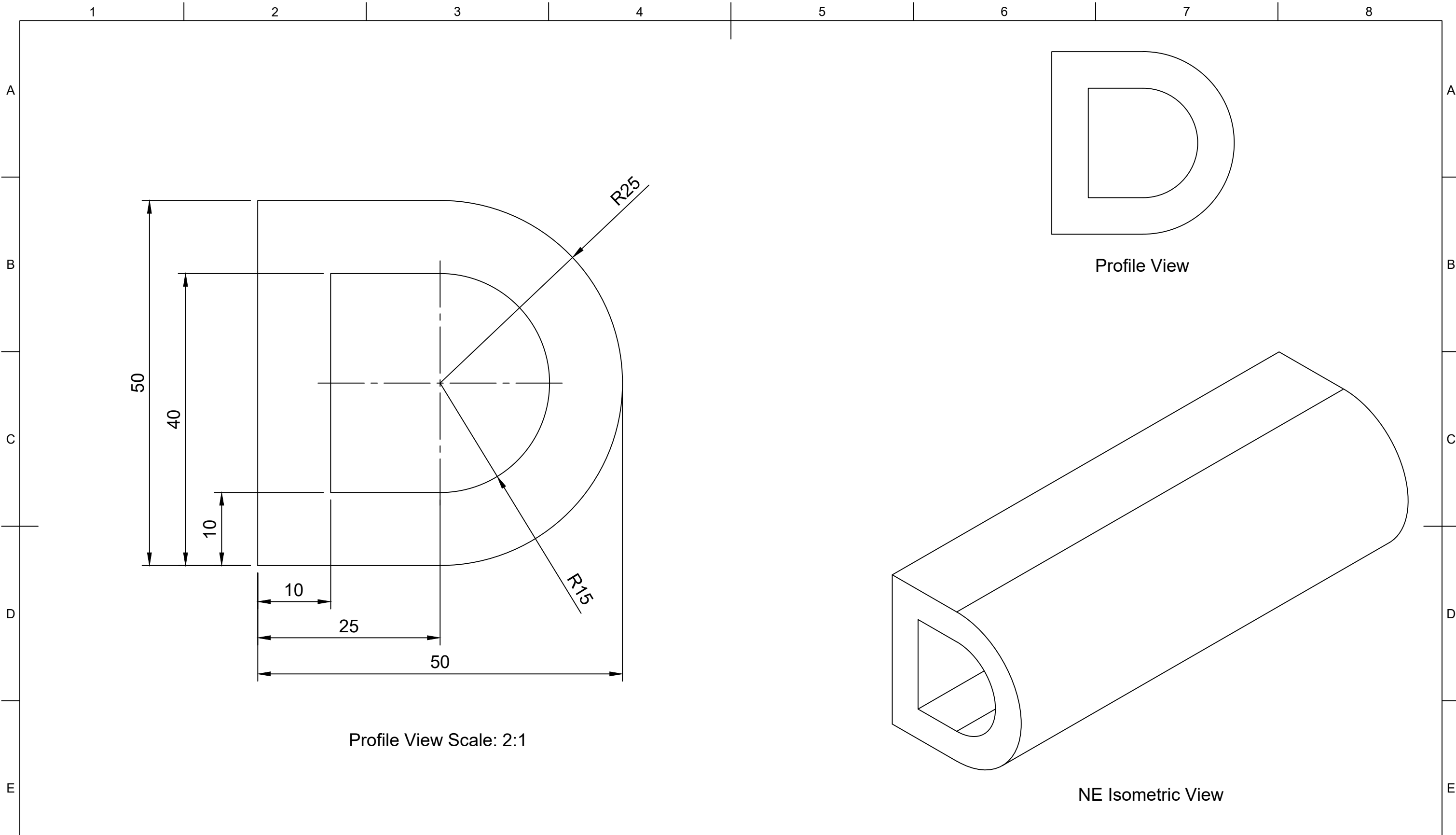


Profile View

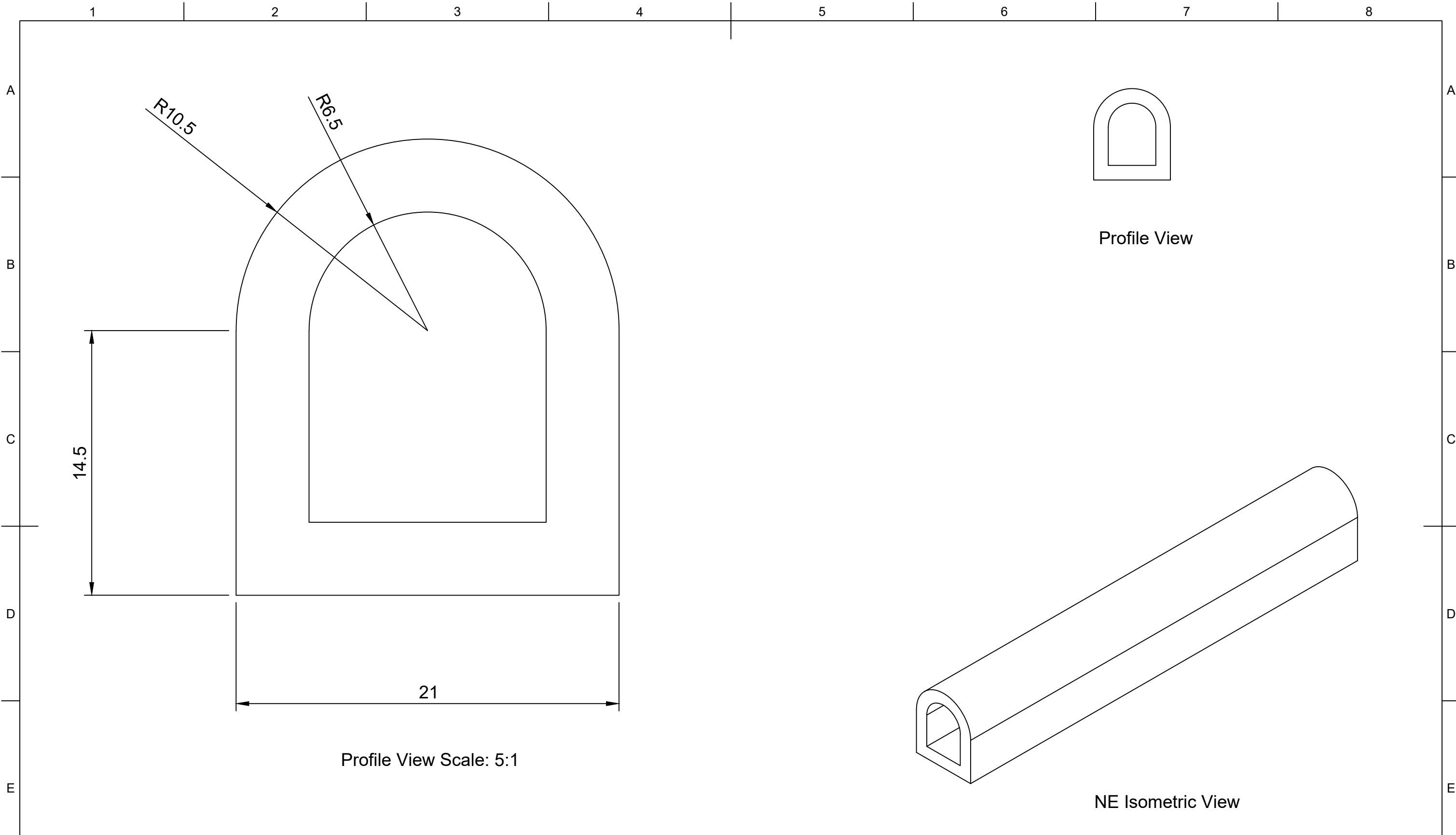
Profile View Scale: 2:1

NE isometric View

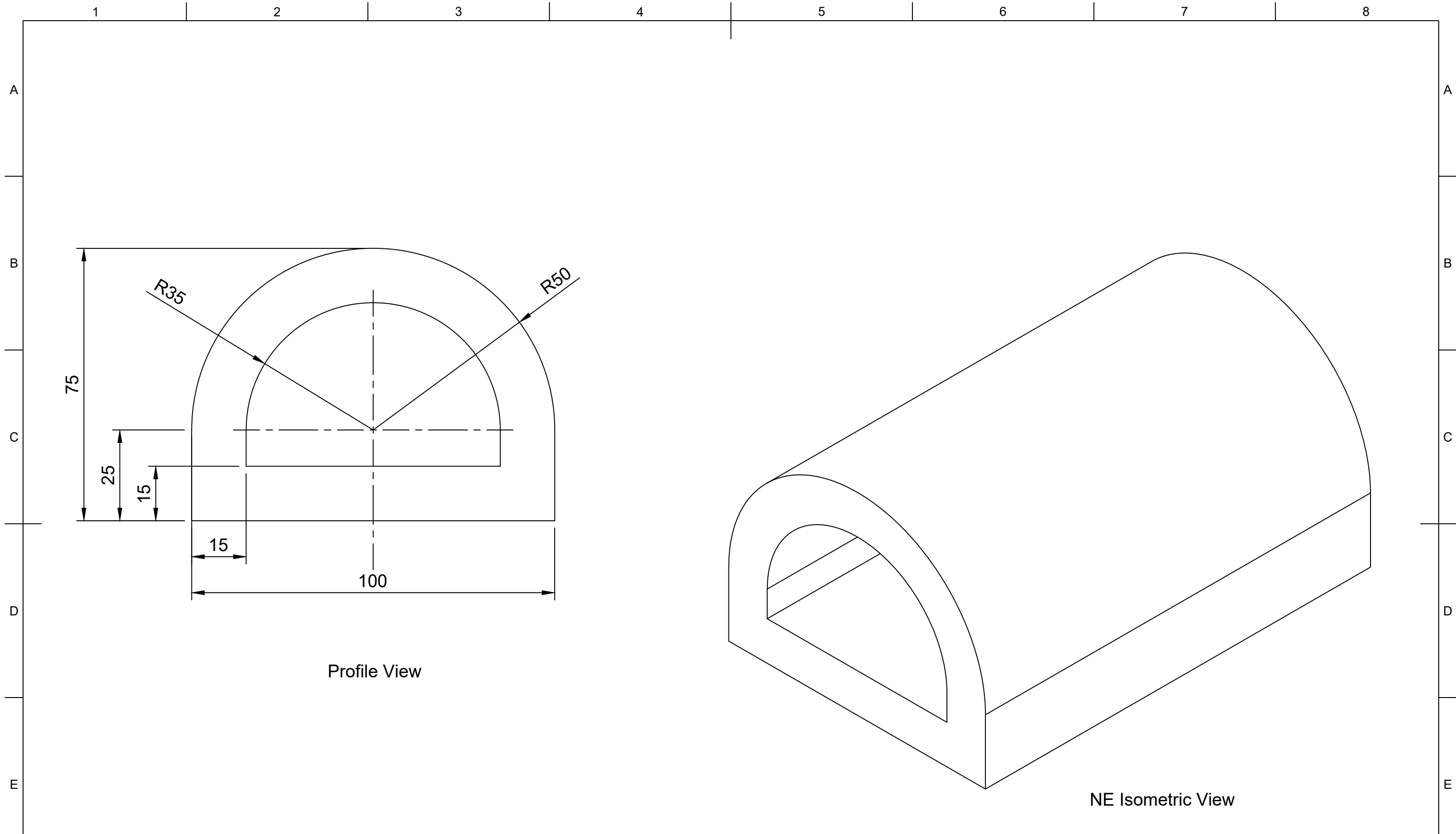
	Part Number				Created By		Cross Sectional Area (mm ²)		Nominal Dimension (mm)		Tolerance, ± (mm)
	206369				David Stirling		653		Greater Than	Less Than or Equal to	
	Description				Date Drawn		Material		0.00		0.40
	D Section - D Centre				04/05/2020		EPDM		1.50		0.50
	Revision				Approved By		Hardness (Shore A)		2.50		0.70
	A				Date of Approval		70		4.00		0.80
	Date of Issue				Date of Approval		Colour		6.30		1.00
	21/01/2022				3rd Agl.		Black		10.00		1.30
	Sheet Scale				Projection		Weight (g/m)		16.00		1.60
	1:1				3rd Agl. 		744		25.00		2.00
Sheet Size								40.00		2.50	
A3								63.00		3.20	
Sheet								100.00		3.20%	
1/1											



Part Number 206520					Created By David Stirling		Cross Sectional Area (mm ²) 1428		Nominal Dimension (mm)		Tolerance, ± (mm)
					Date Drawn 05/05/2020		Material EPDM		Greater Than	Less Than or Equal to	
Description D Section - D Centre					Approved By		Hardness (Shore A) 70		0.00	1.50	0.40
					Date of Approval		Colour Black		1.50	2.50	0.50
Revision A	Date of Issue 21/01/2022	Sheet Scale 1:1	Sheet Size A3	Sheet 1/1	Projection 3rd Agl.	Weight (kg/m) 1.799		2.50	4.00	0.70	
								4.00	6.30	0.80	
								6.30	10.00	1.00	
								10.00	16.00	1.30	
								16.00	25.00	1.60	
								25.00	40.00	2.00	
								40.00	63.00	2.50	
								63.00	100.00	3.20	
								100.00		3.20%	


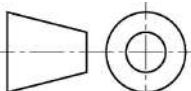


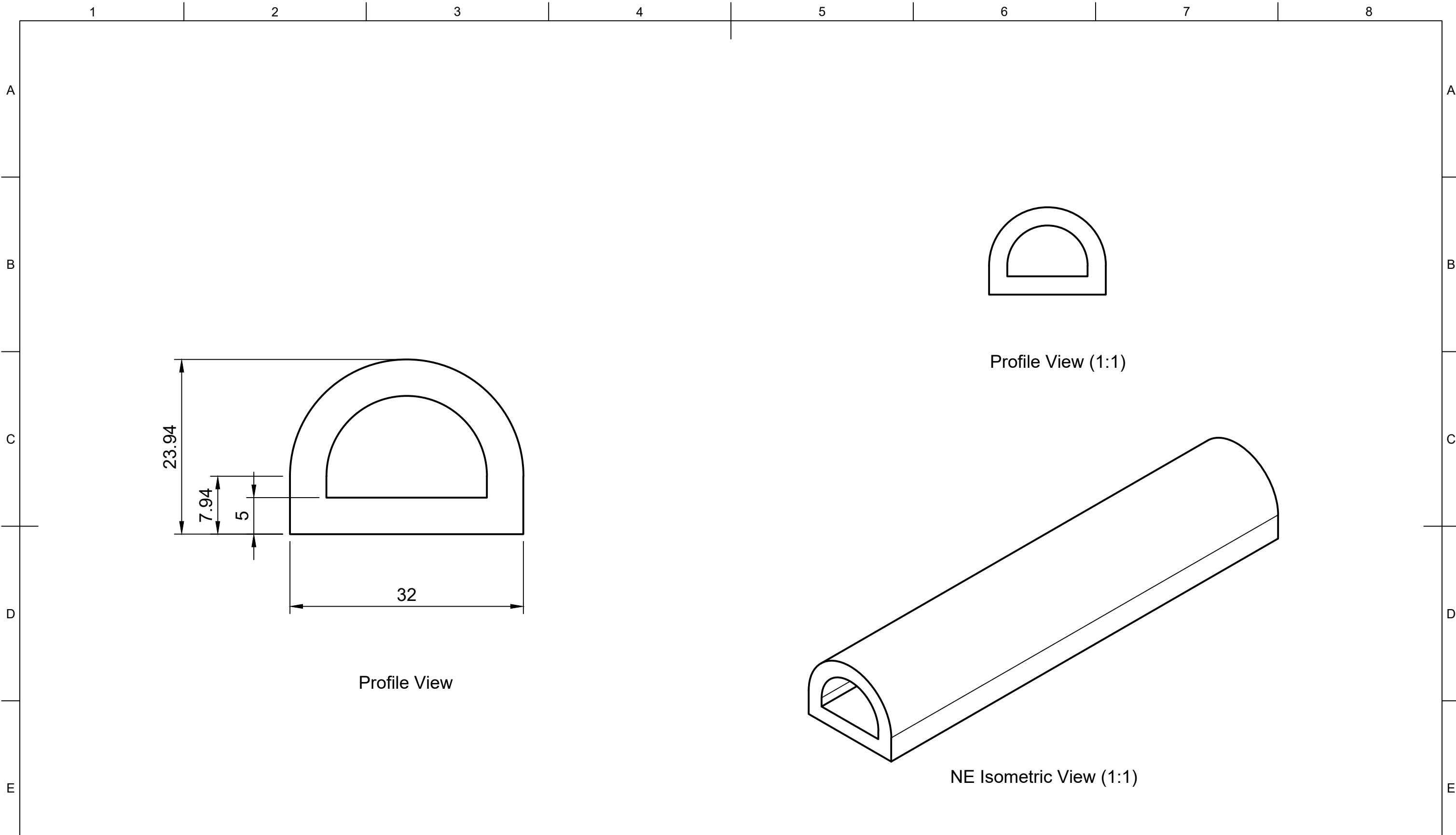
	Part Number				Created By		Cross Sectional Area (mm²)		Nominal Dimension (mm)		Tolerance, ± (mm)
	206725				David Stirling		275		Greater Than	Less Than or Equal to	
					Date Drawn		Material		0.00	1.50	0.40
					02/05/2020		Nitrile		1.50	2.50	0.50
	Description				Approved By		Hardness (Shore A)		2.50	4.00	0.70
	D Section - D Centre						70		4.00	6.30	0.80
					Date of Approval		Colour		6.30	10.00	1.00
							Black		10.00	16.00	1.30
									16.00	25.00	1.60
									25.00	40.00	2.00
Revision	Date of Issue	Sheet Scale	Sheet Size	Sheet	Projection	Weight (g/m)		40.00	63.00	2.50	
A	20/01/2022	1:1	A3	1/1	3rd Agl.	333		63.00	100.00	3.20	
								100.00	---	3.20%	


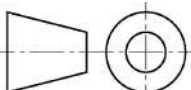


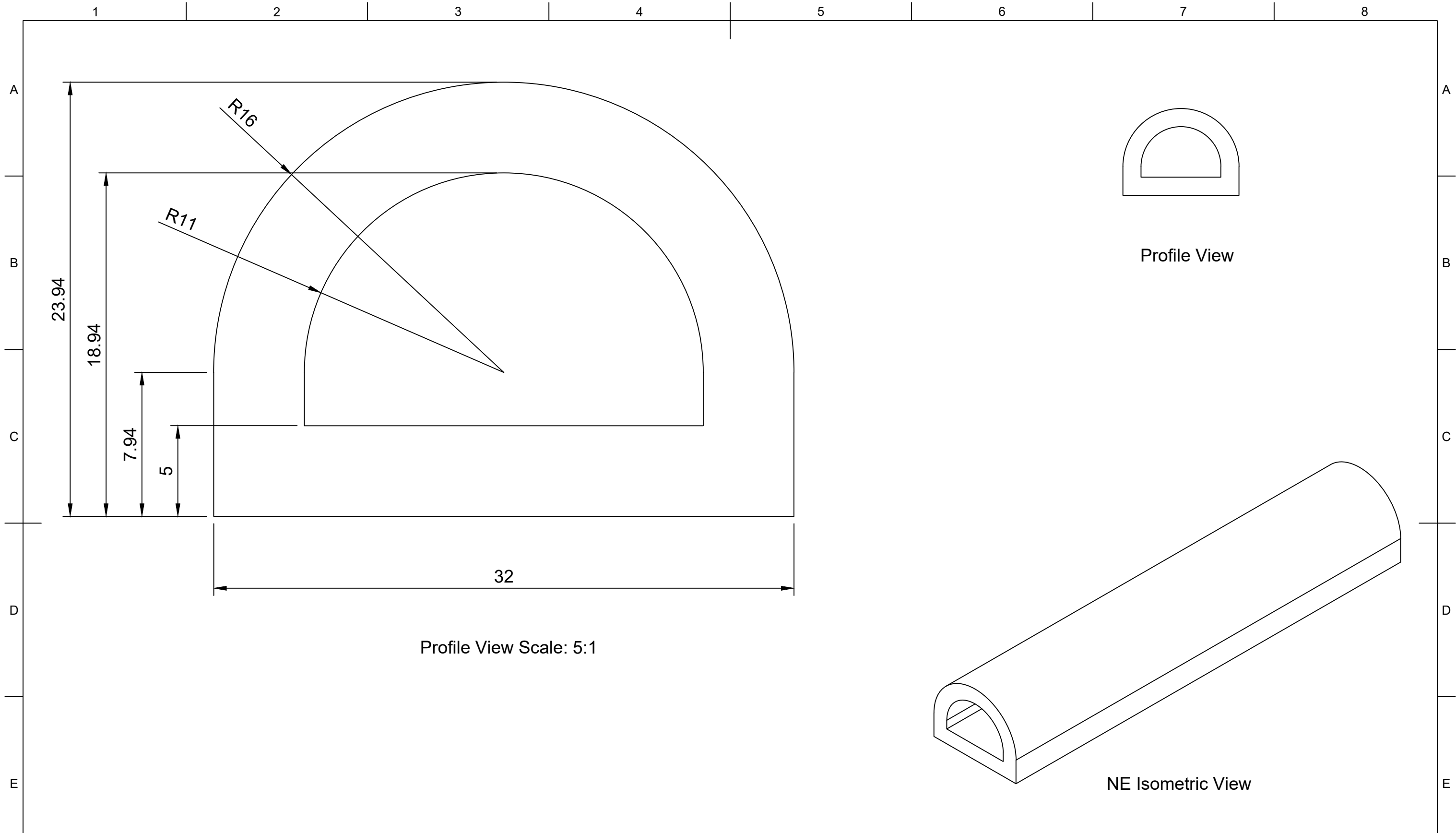
Profile View

NE Isometric View

	Part Number				Created By		Cross Sectional Area (mm ²)		Nominal Dimension (mm)		Tolerance, ± (mm)
	206882				David Stirling		3803		Greater Than	Less Than or Equal to	
	Description				Date Drawn		Material		0.00		0.40
	D Section - D Centre				29/04/2020		EPDM		1.50		0.50
	Revision				Approved By		Hardness (Shore A)		2.50		0.70
	A				Date of Approval		70		4.00		0.80
	Date of Issue				Projection		Colour		6.30		1.00
	19/01/2022				3rd Agl. 		Black		10.00		1.30
	Sheet Scale				Weight (kg/m)		4.790		16.00		1.60
	1:1								25.00		2.00
Sheet Size								40.00		2.50	
A3								63.00		3.20	
Sheet								100.00		3.20%	
1/1											




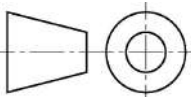
	Part Number				Created By		Cross Sectional Area (mm ²)		Nominal Dimension (mm)		Tolerance, ± (mm)
	207328				David Stirling		401		Greater Than	Less Than or Equal to	
	Description				Date Drawn		Material		0.00		0.40
	D Section - D Centre				20/01/2022		Neoprene		1.50		0.50
	Revision				Approved By		Hardness (Shore A)		2.50		0.70
	A				Date of Approval		70		4.00		0.80
	Date of Issue				Date of Approval		Colour		6.30		1.00
	20/01/2022				Projection		Black		10.00		1.30
	Sheet Scale				3rd Agl.		Weight (g/m)		16.00		1.60
	2:1						607		25.00		2.00
Sheet Size								40.00		2.50	
A3								63.00		3.20	
Sheet								100.00		3.20%	
1/1											



Profile View Scale: 5:1

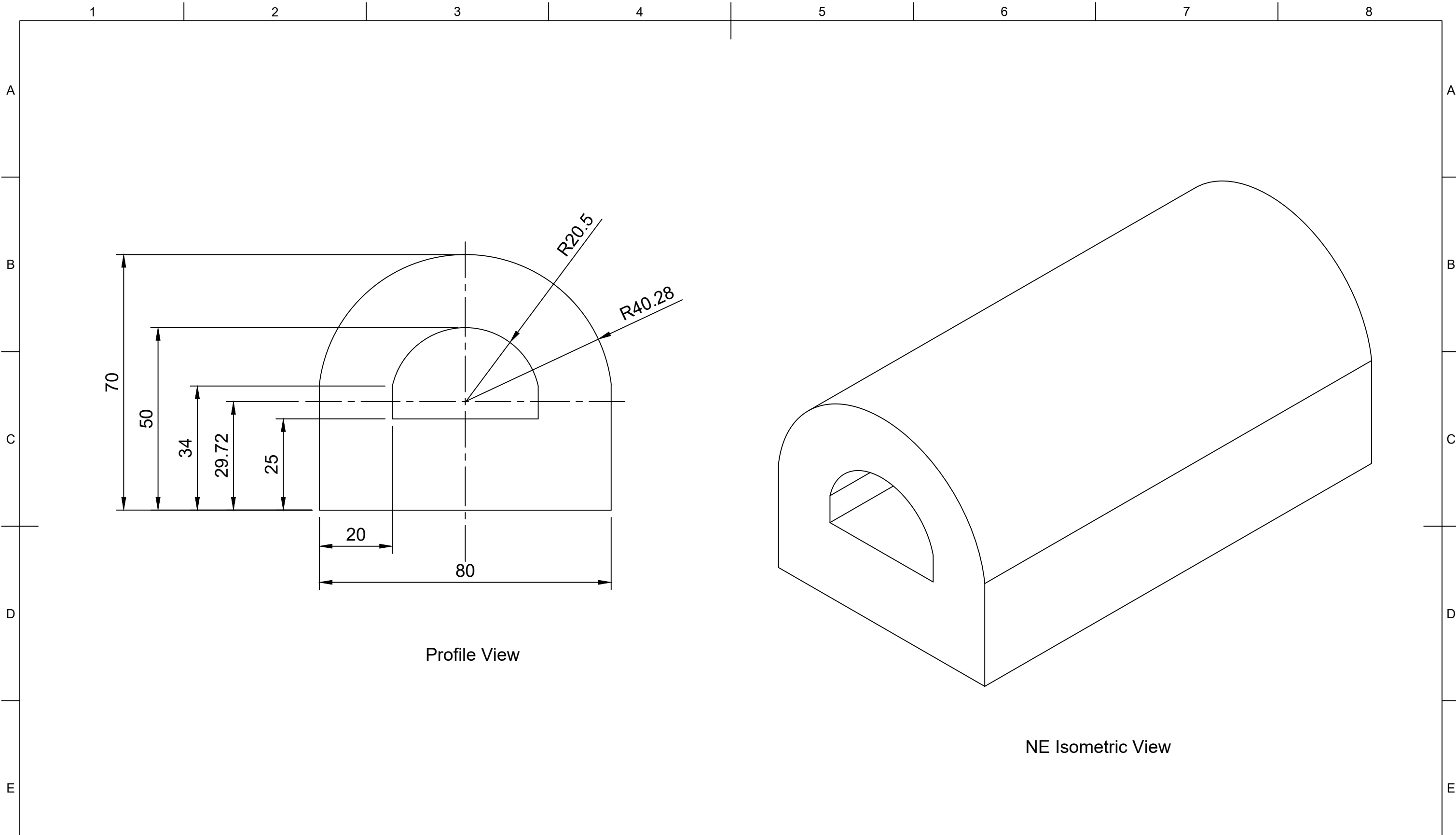
NE Isometric View

	Part Number				Created By		Cross Sectional Area (mm²)		Nominal Dimension (mm)		Tolerance, ± (mm)	
	207495				David Stirling		401		Greater Than	Less Than or Equal to		
	Description				Date Drawn		Material		0.00	1.50	0.40	
	D Section - D Centre				03/05/2020		EPDM		1.50	2.50	0.50	
	Revision				Approved By		Hardness (Shore A)		2.50	4.00	0.70	
	A	20/01/2022		Sheet Scale		Date of Approval		70		4.00	6.30	0.80
		20/01/2022		1:1		Date of Approval		Black		6.30	10.00	1.00
		20/01/2022		A3		Date of Approval		Black		10.00	16.00	1.30
		20/01/2022		1/1		Date of Approval		Black		16.00	25.00	1.60
		20/01/2022		1/1		Date of Approval		Black		25.00	40.00	2.00
	20/01/2022		1/1		Date of Approval		Black		40.00	63.00	2.50	
	20/01/2022		1/1		Date of Approval		Black		63.00	100.00	3.20	
	20/01/2022		1/1		Date of Approval		Black		100.00	---	3.20%	
	20/01/2022		1/1		Date of Approval		Black		100.00	---	3.20%	




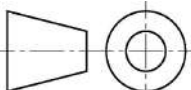
3rd Agl.

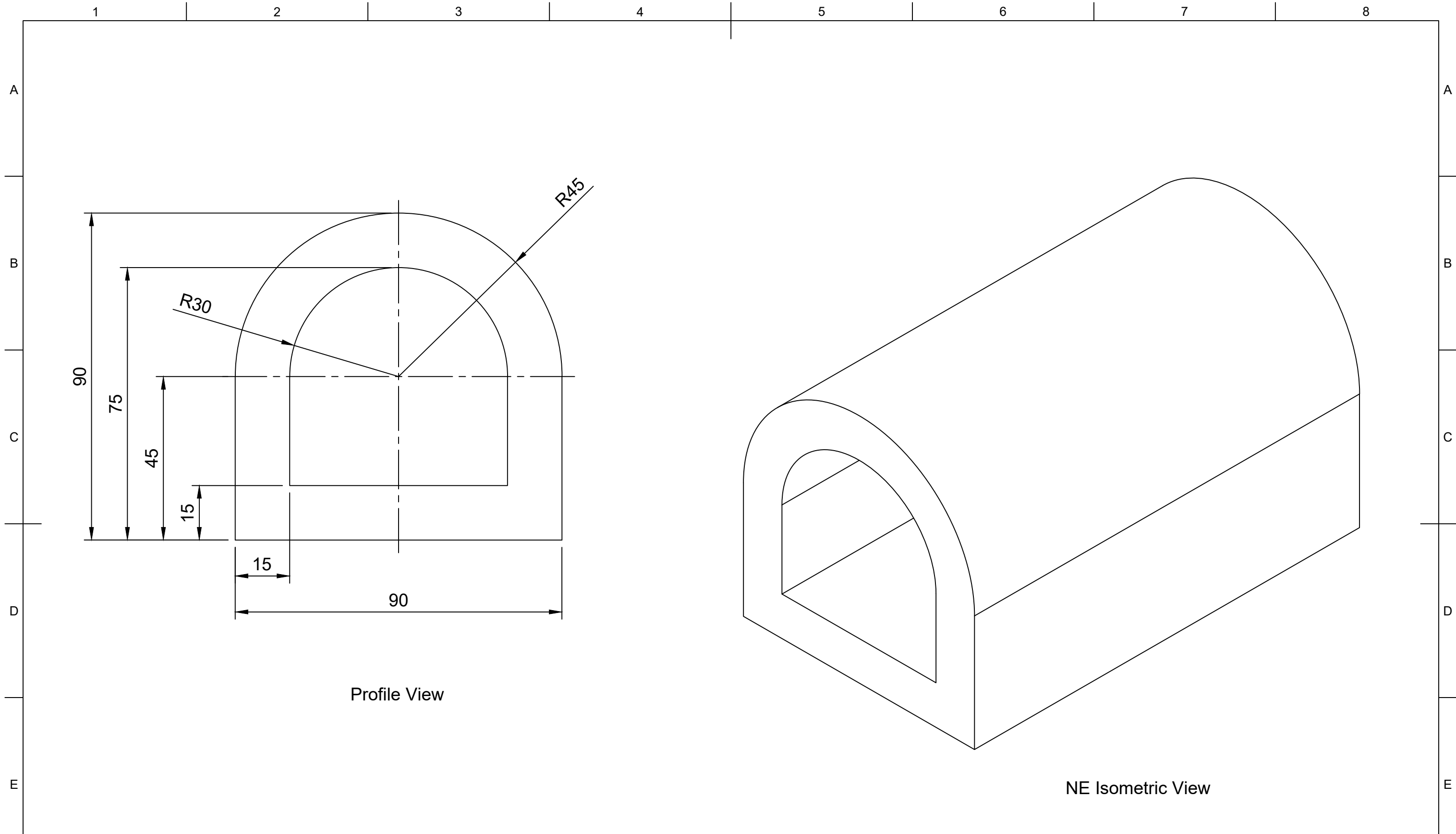
Weight (g/m)
499



Profile View


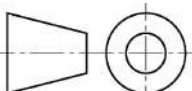
NE Isometric View

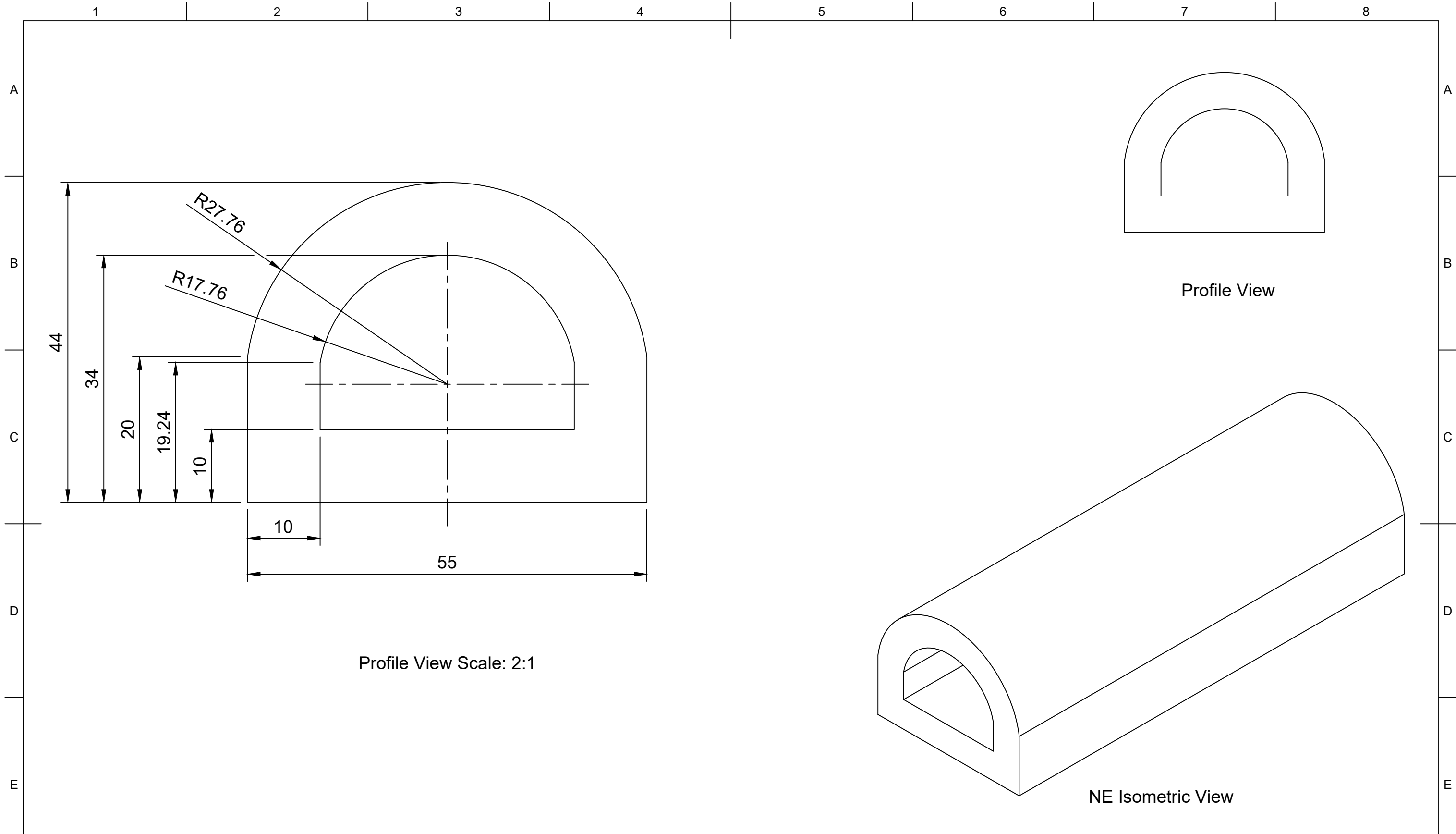
	Part Number				Created By		Cross Sectional Area (mm ²)		Nominal Dimension (mm)		Tolerance, ± (mm)
	208133				David Stirling		4087		Greater Than	Less Than or Equal to	
	Description				Date Drawn		Material		0.00		0.40
	D Section - D Centre				08/05/2020		EPDM		1.50		0.50
	Revision				Approved By		Hardness (Shore A)		2.50		0.70
	A				Date of Approval		70		4.00		0.80
	Date of Issue				Date of Approval		Colour		6.30		1.00
	21/01/2022				3rd Agl.		Black		10.00		1.30
	Sheet Scale				Projection		Weight (kg/m)		16.00		1.60
	1:1				3rd Agl. 		5.150		25.00		2.00
Sheet Size								40.00		2.50	
A3								63.00		3.20	
Sheet								100.00		3.20%	
1/1											


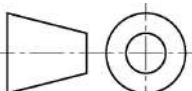


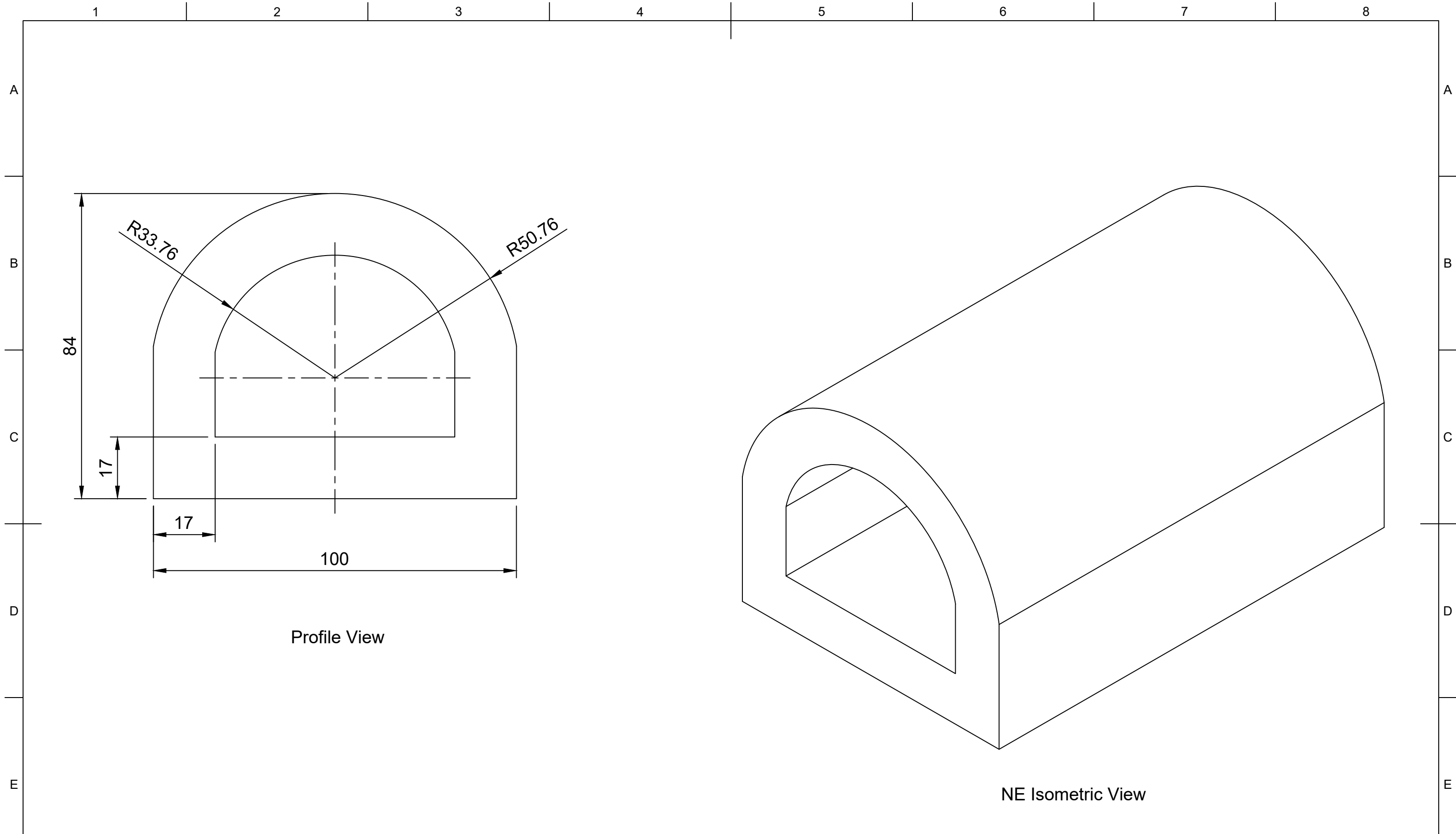
Profile View


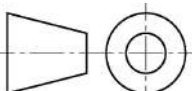
NE Isometric View

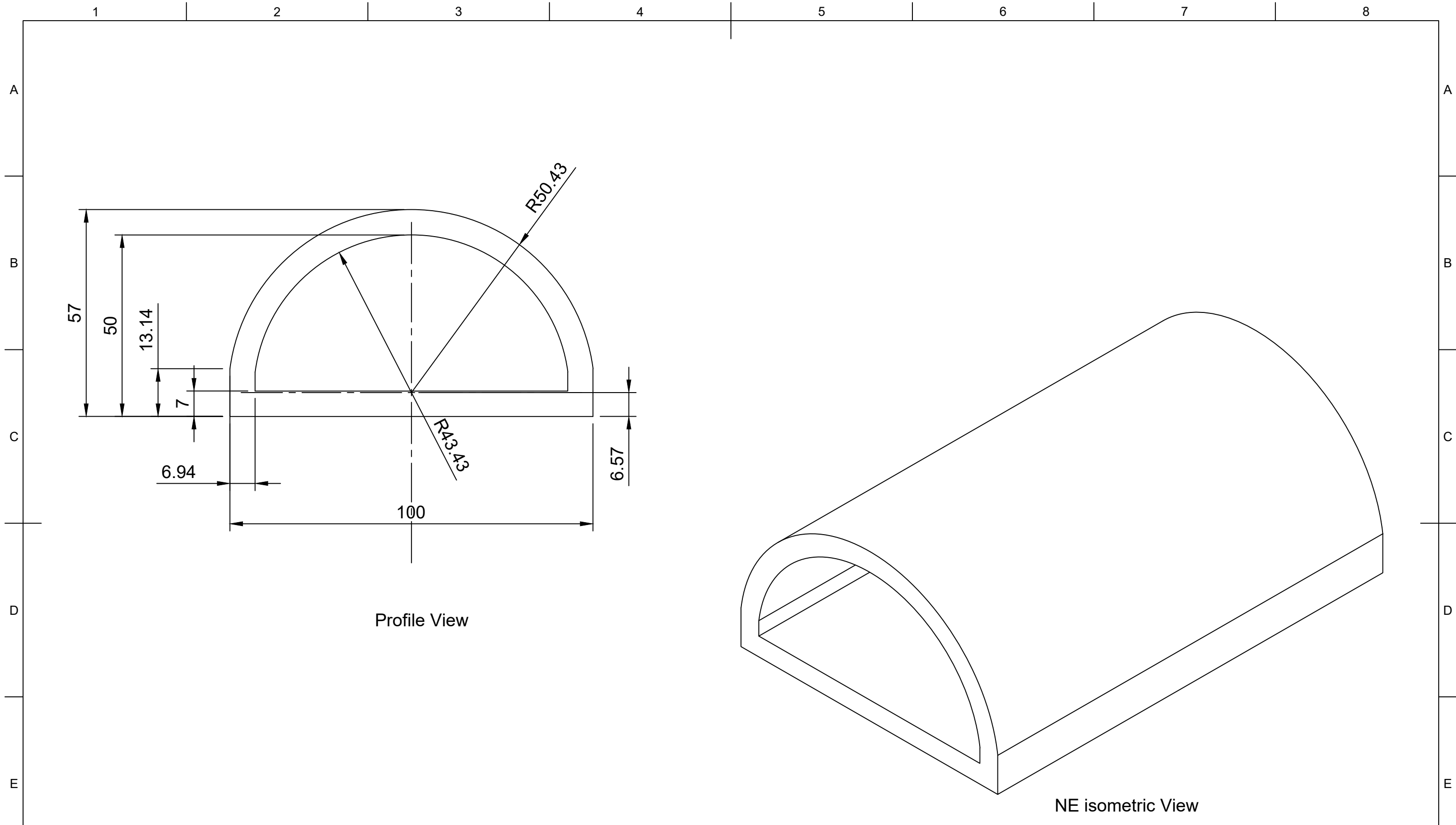
	Part Number				Created By		Cross Sectional Area (mm ²)		Nominal Dimension (mm)		Tolerance, ± (mm)
	208426				David Stirling		4017		Greater Than	Less Than or Equal to	
	Description				Date Drawn		Material		0.00		0.40
	D Section - D Centre				12/05/2020		EPDM		1.50		0.50
	Revision				Approved By		Hardness (Shore A)		2.50		0.70
	A				Date of Approval		70		4.00		0.80
	Date of Issue				Date of Approval		Colour		6.30		1.00
	24/01/2022				3rd Agl.		Black		10.00		1.30
	Sheet Scale				Projection		Weight (kg/m)		16.00		1.60
	1:1				3rd Agl. 		5.061		25.00		2.00
Sheet Size								40.00		2.50	
A3								63.00		3.20	
Sheet								100.00		3.20%	
1/1											



	Part Number				Created By		Cross Sectional Area (mm ²)		Nominal Dimension (mm)		Tolerance, ± (mm)
	208507				David Stirling		1390		Greater Than	Less Than or Equal to	
	Description				Date Drawn		Material		0.00		0.40
					06/05/2020		EPDM		1.50		0.50
	D Section - D Centre				Approved By		Hardness (Shore A)		2.50		0.70
					Date of Approval		70		4.00		0.80
	Revision				Date of Issue		Colour		6.30		1.00
					21/01/2022		Black		10.00		1.30
	A		Sheet Scale		Projection		Weight (kg/m)		16.00		1.60
	1:1		A3		3rd Agl. 		1.751		25.00		2.00
1/1		Sheet Size		Sheet				40.00		2.50	
		A3		1/1				63.00		3.20	
								100.00		3.20%	


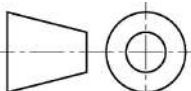


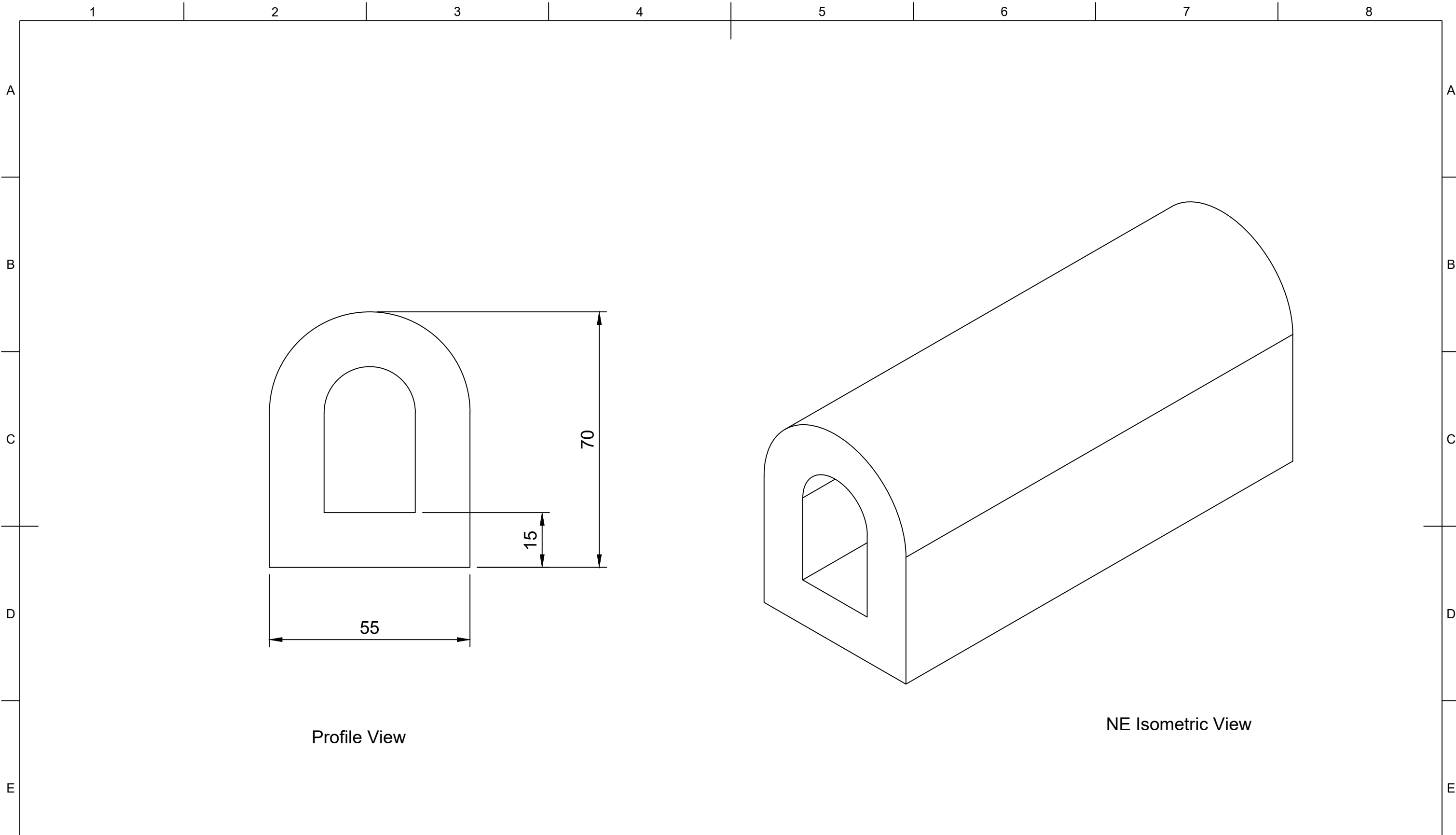
	Part Number				Created By		Cross Sectional Area (mm²)		Nominal Dimension (mm)		Tolerance, ± (mm)
	208860				David Stirling		4508		Greater Than	Less Than or Equal to	
	Description				Date Drawn		Material		0.00	1.50	0.40
					29/04/2020		EPDM		1.50	2.50	0.50
	D Section - D Centre				Approved By		Hardness (Shore A)		2.50	4.00	0.70
					Date of Approval		70		4.00	6.30	0.80
							Black		6.30	10.00	1.00
	Revision	Date of Issue	Sheet Scale	Sheet Size	Sheet	Projection	Weight (kg/m)		10.00	16.00	1.30
	A	19/01/2022	1:1	A3	1/1	3rd Agl. 	5.679		16.00	25.00	1.60
									25.00	40.00	2.00
								40.00	63.00	2.50	
								63.00	100.00	3.20	
								100.00		3.20%	



Profile View


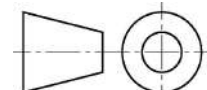
NE isometric View

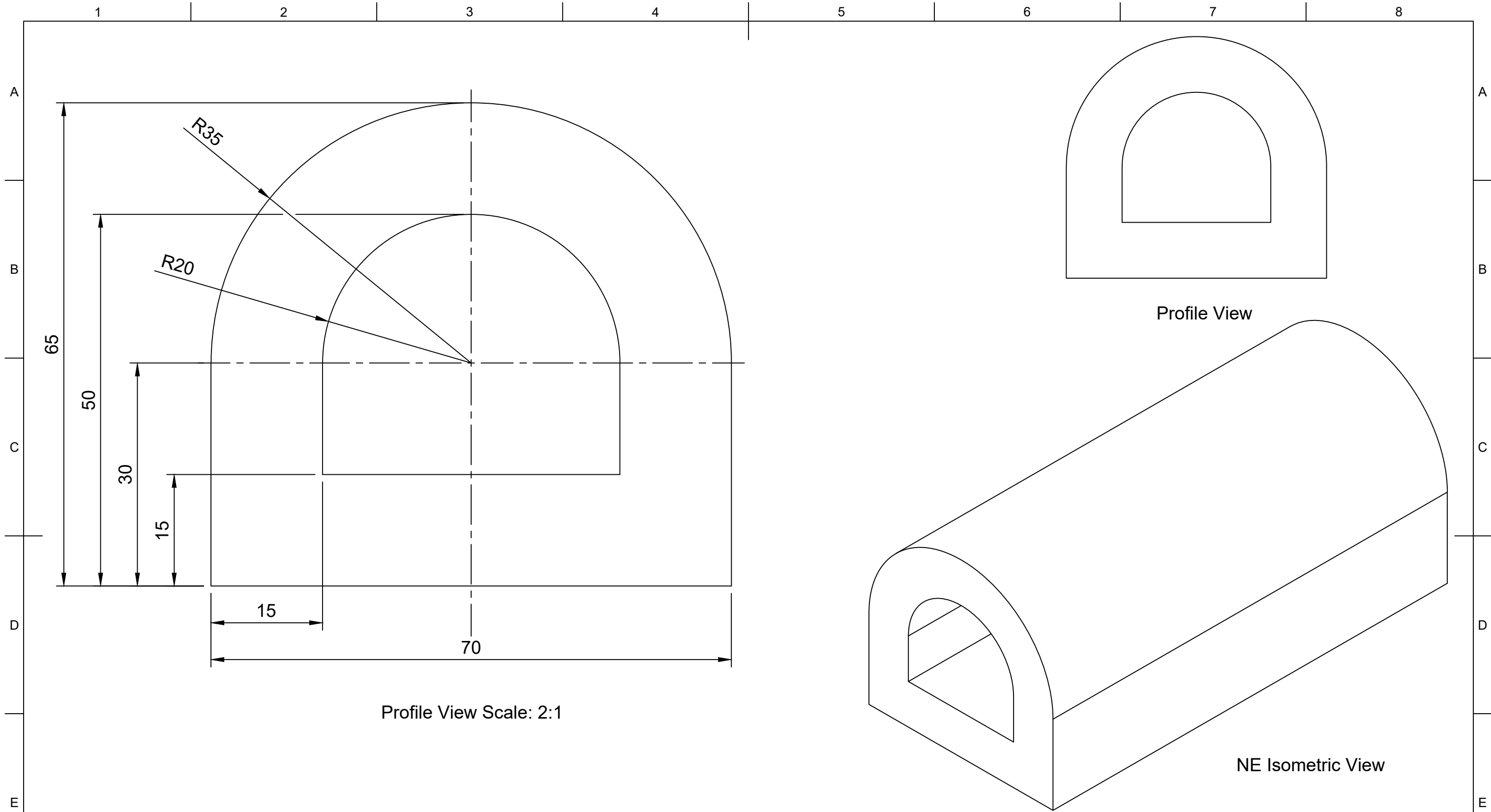
	Part Number				Created By		Cross Sectional Area (mm ²)		Nominal Dimension (mm)		Tolerance, ± (mm)
	208912				David Stirling		1725		Greater Than	Less Than or Equal to	
	Description				Date Drawn		Material		0.00		0.40
	D Section - D Centre				29/04/2020		EPDM		1.50		0.50
	Revision				Approved By		Hardness (Shore A)		2.50		0.70
	A				Date of Approval		70		4.00		0.80
	Date of Issue				Date of Approval		Colour		6.30		1.00
	19/01/2022				3rd Agl.		Black		10.00		1.30
	Sheet Scale				Projection		Weight (kg/m)		16.00		1.60
	1:1				3rd Agl. 		2.170		25.00		2.00
Sheet Size								40.00		2.50	
A3								63.00		3.20	
Sheet								100.00		3.20%	
1/1											



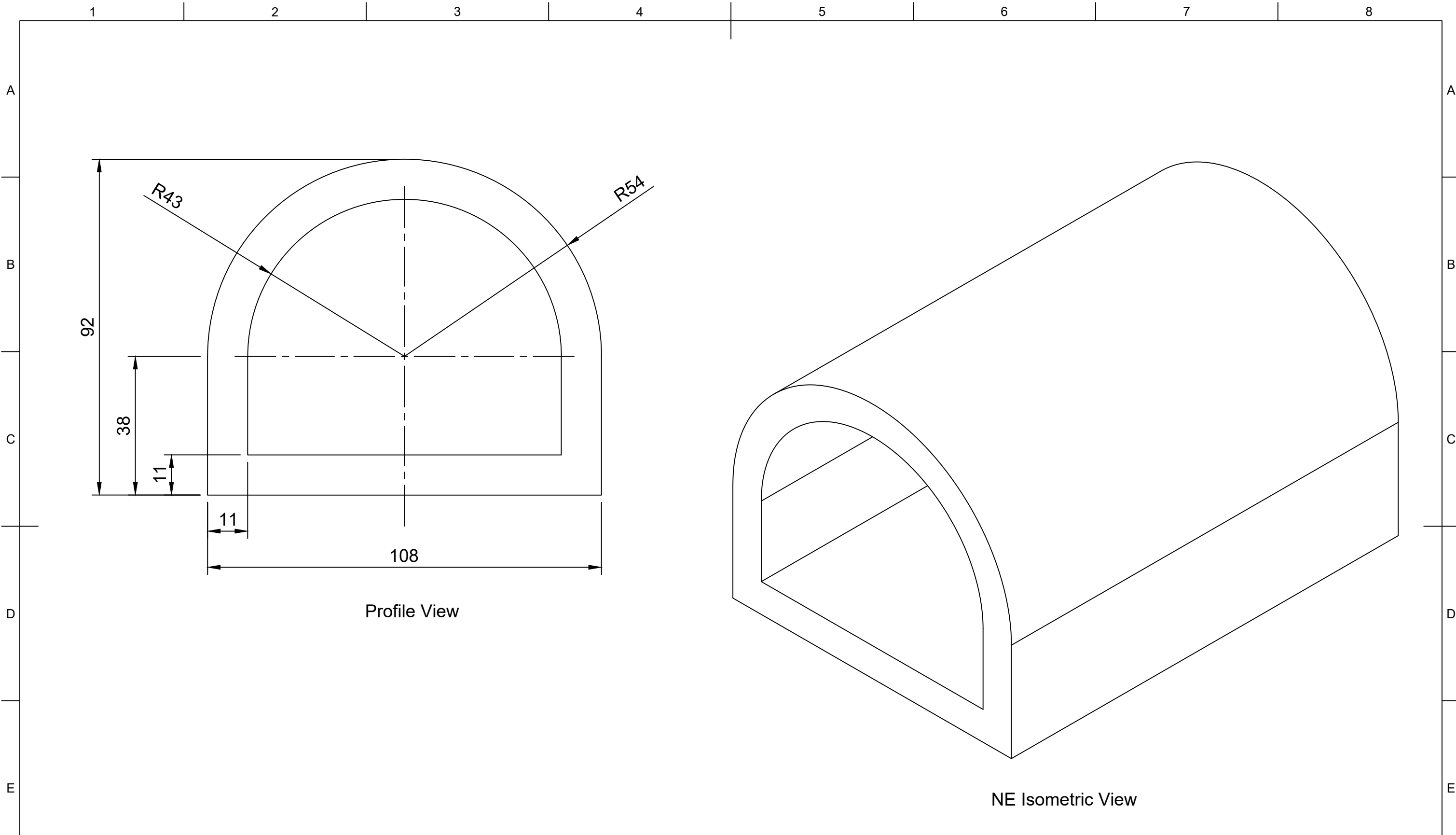
Profile View

NE Isometric View

	Part Number				Created By		Cross Sectional Area (mm²)		Nominal Dimension (mm)		Tolerance, ± (mm)	
	209038				David Stirling		2592		Greater Than	Less Than or Equal to		
	Description				Date Drawn		Material		0.00	1.50	0.40	
	D Section - D Centre				27/04/2021		EPDM		1.50	2.50	0.50	
	Revision				Approved By		Hardness (Shore A)		2.50	4.00	0.70	
	A	21/01/2022		Sheet Scale		Date of Approval		70		4.00	6.30	0.80
		21/01/2022		1:1		Date of Approval		Black		6.30	10.00	1.00
		21/01/2022		A3		Date of Approval		Black		10.00	16.00	1.30
		21/01/2022		1/1		Date of Approval		Black		16.00	25.00	1.60
		21/01/2022		1/1		Date of Approval		Black		25.00	40.00	2.00
Projection				Weight (kg/m)				40.00	63.00	2.50		
3rd Agl. 				3.266				63.00	100.00	3.20		
								100.00		3.20%		


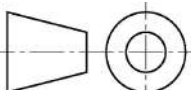


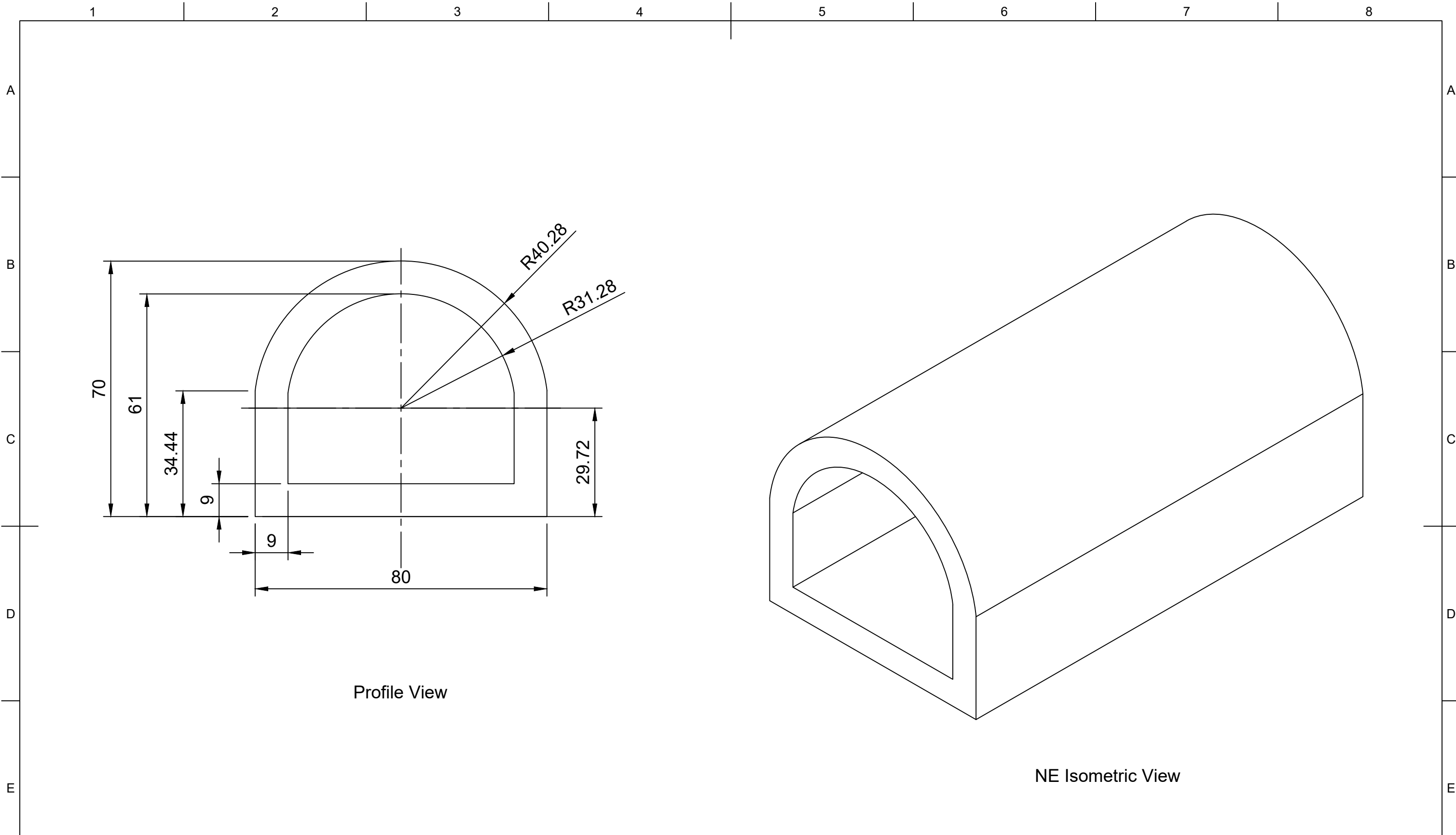
Part Number	209246				Created By	David Stirling	Cross Sectional Area (mm ²)	2796		Nominal Dimension (mm)		Tolerance, ± (mm)
	Date Drawn	06/05/2020			Material	EPDM		Greater Than	Less Than or Equal to			
Description	D Section - D Centre				Approved By		Hardness (Shore A)	70		0.00	1.50	0.40
	Revision	Date of Issue	Sheet Scale	Sheet Size	Sheet	Date of Approval	Colour	Black		1.50	2.50	0.50
A	21/01/2022	1:1	A3	1/1	Projection	3rd Agl.	Weight (kg/m)	3.523		2.50	4.00	0.70
										4.00	6.30	0.80
										6.30	10.00	1.00
										10.00	16.00	1.30
										16.00	25.00	1.60
										25.00	40.00	2.00
										40.00	63.00	2.50
										63.00	100.00	3.20
										100.00		3.20%



Profile View


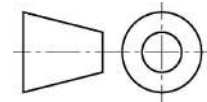
NE Isometric View

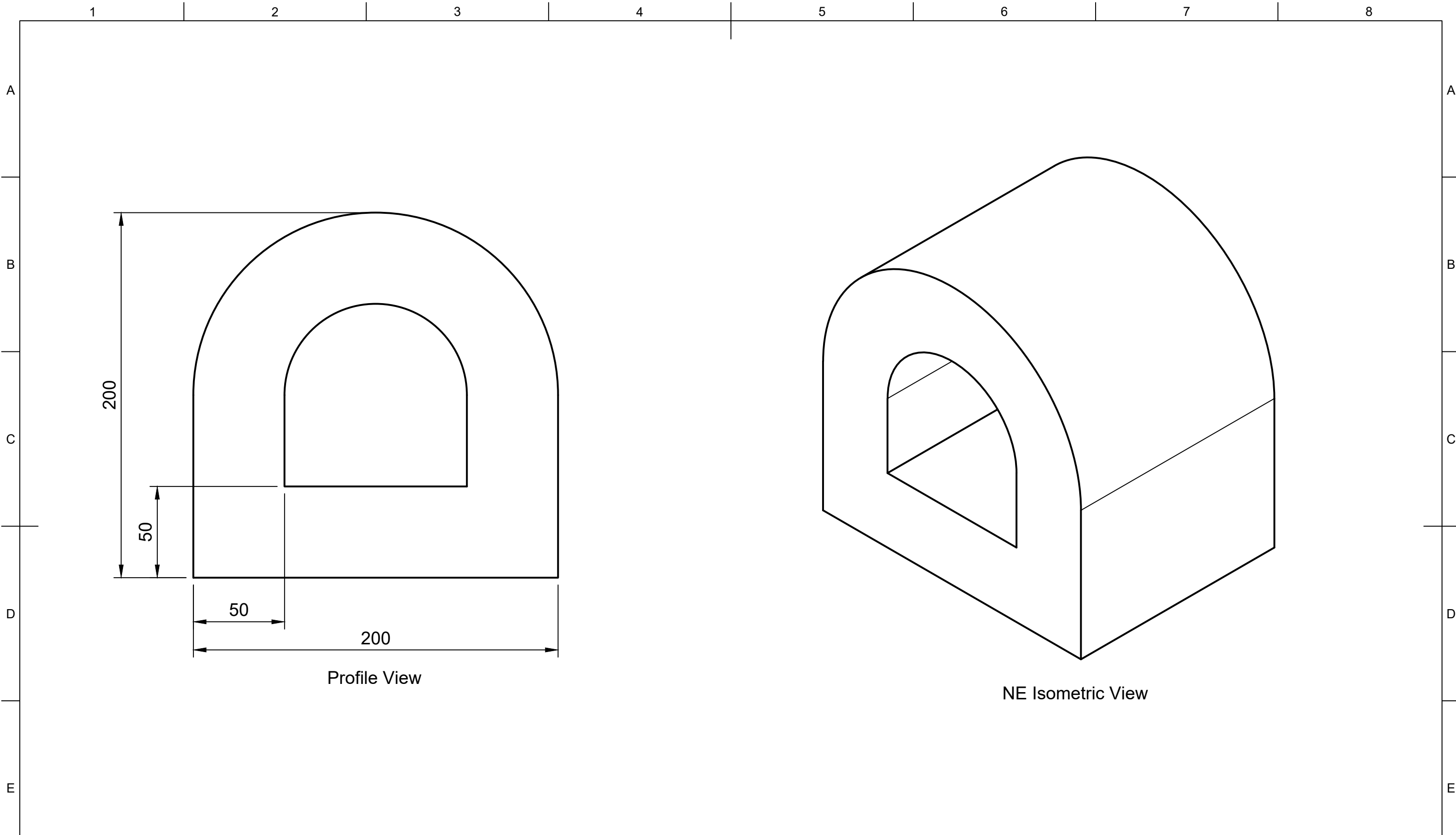
	Part Number				Created By		Cross Sectional Area (mm²)		Nominal Dimension (mm)		Tolerance, ± (mm)
	209421				David Stirling		3458		Greater Than	Less Than or Equal to	
	Description				Date Drawn		Material		0.00	1.50	0.40
	D Section - D Centre				29/04/2020		EPDM		1.50	2.50	0.50
					Approved By		Hardness (Shore A)		2.50	4.00	0.70
					Date of Approval		70		4.00	6.30	0.80
					Projection		Colour		6.30	10.00	1.00
					3rd Ang. 		Black		10.00	16.00	1.30
	Revision	Date of Issue	Sheet Scale	Sheet Size	Sheet	Weight (kg/m)		16.00	25.00	1.60	
	A	19/01/2022	1:1	A3	1/1	4.360		25.00	40.00	2.00	
							40.00	63.00	2.50		
							63.00	100.00	3.20		
							100.00		3.20%		



Profile View


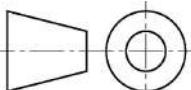
NE Isometric View

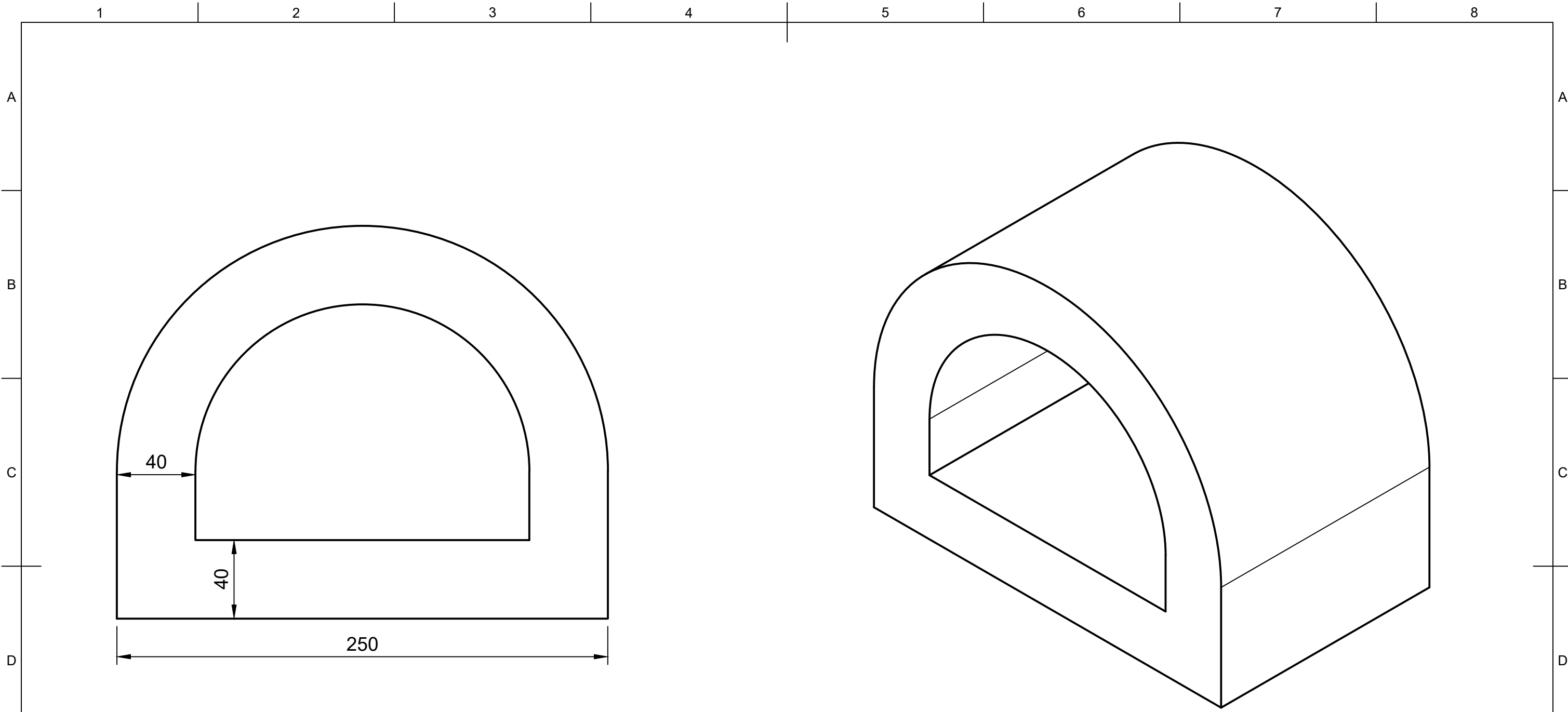
	Part Number				Created By		Cross Sectional Area (mm ²)		Nominal Dimension (mm)		Tolerance, ± (mm)
	209579				David Stirling		2104		Greater Than	Less Than or Equal to	
	Description				Date Drawn		Material		0.00		0.40
	D Section - D Centre				08/05/2020		EPDM		1.50		0.50
	Revision				Approved By		Hardness (Shore A)		2.50		0.70
	A				Date of Approval		70		4.00		0.80
	Date of Issue				Date of Approval		Colour		6.30		1.00
	21/01/2022				3rd Agl.		Black		10.00		1.30
	Sheet Scale				Projection		Weight (kg/m)		16.00		1.60
	1:1				3rd Agl. 		2.651		25.00		2.00
Sheet Size								40.00		2.50	
A3								63.00		3.20	
Sheet								100.00		3.20%	
1/1											



Profile View


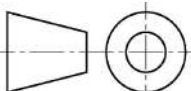
NE Isometric View

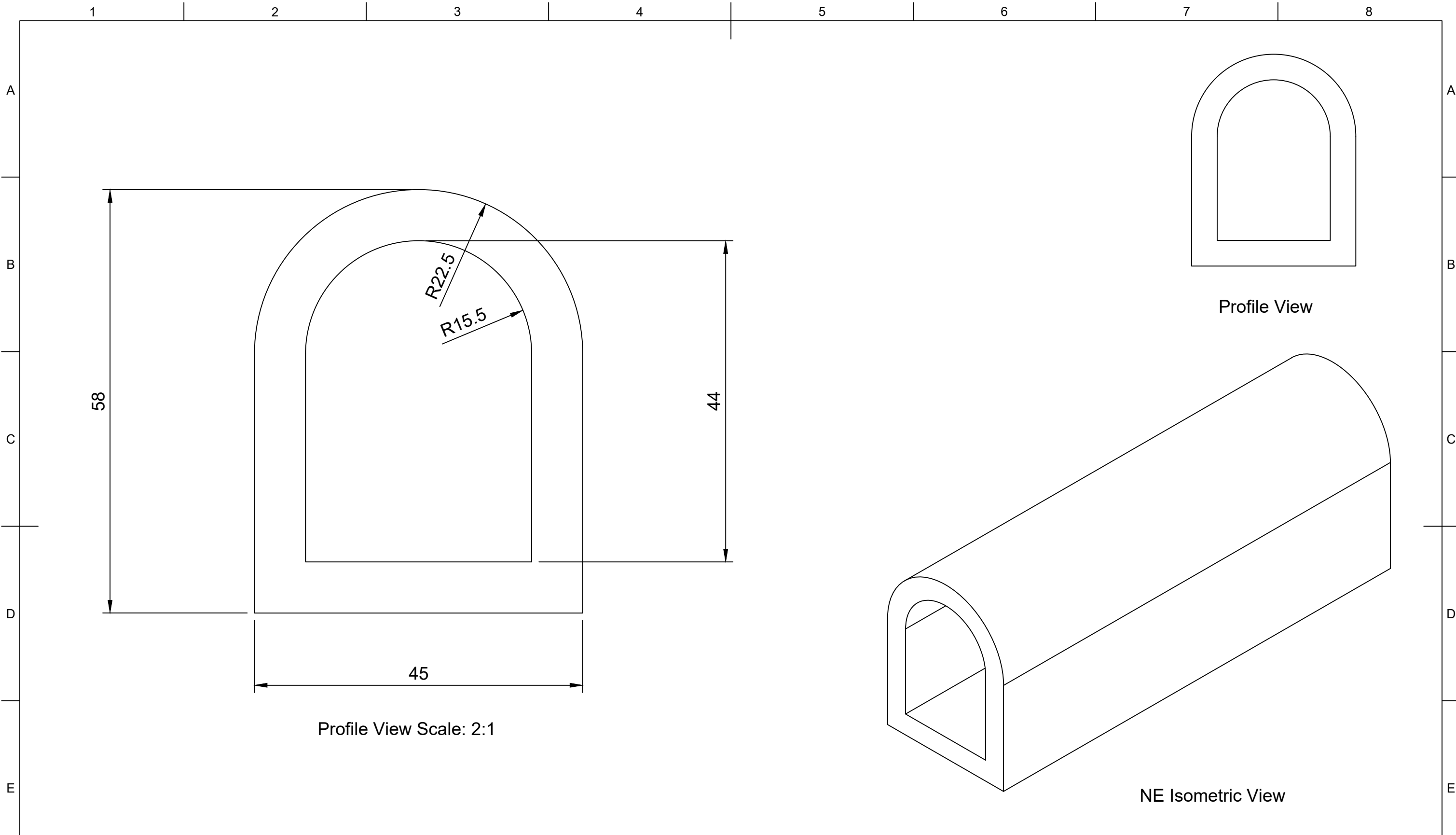
	Part Number				Created By		Cross Sectional Area (mm ²)		Nominal Dimension (mm)		Tolerance, ± (mm)
	202691				Isaac Erskine		26780		Greater Than	Less Than or Equal to	
	Description				Date Drawn		Material		0.00		0.40
	D Section - D Centre				13/07/2021		EPDM		1.50		0.50
	Revision				Approved By		Hardness (Shore A)		2.50		0.70
	A				Isaac Erskine		70		4.00		0.80
	Date of Issue				Date of Approval		Colour		6.30		1.00
	29/06/2022				29/06/2022		Black		10.00		1.30
	Sheet Scale				Projection		Weight (kg/m)		16.00		1.60
	1:2				3rd Agl. 		33.743		25.00		2.00
Sheet Size								40.00		2.50	
A3								63.00		3.20	
Sheet								100.00		3.20%	
1/1											


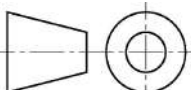


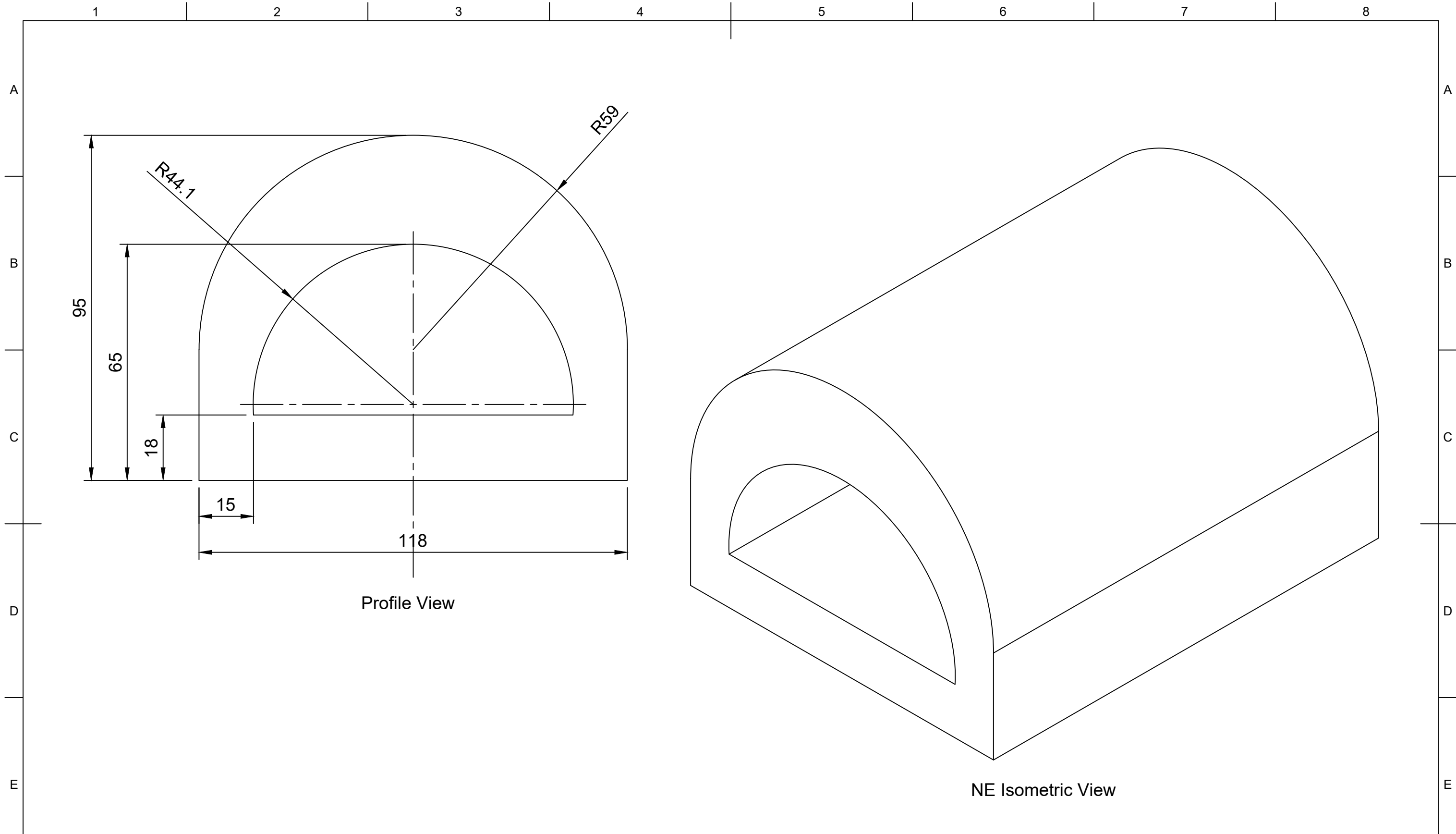
Profile View


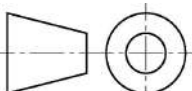
NE Isometric View

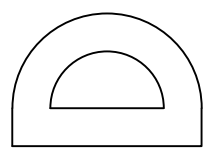
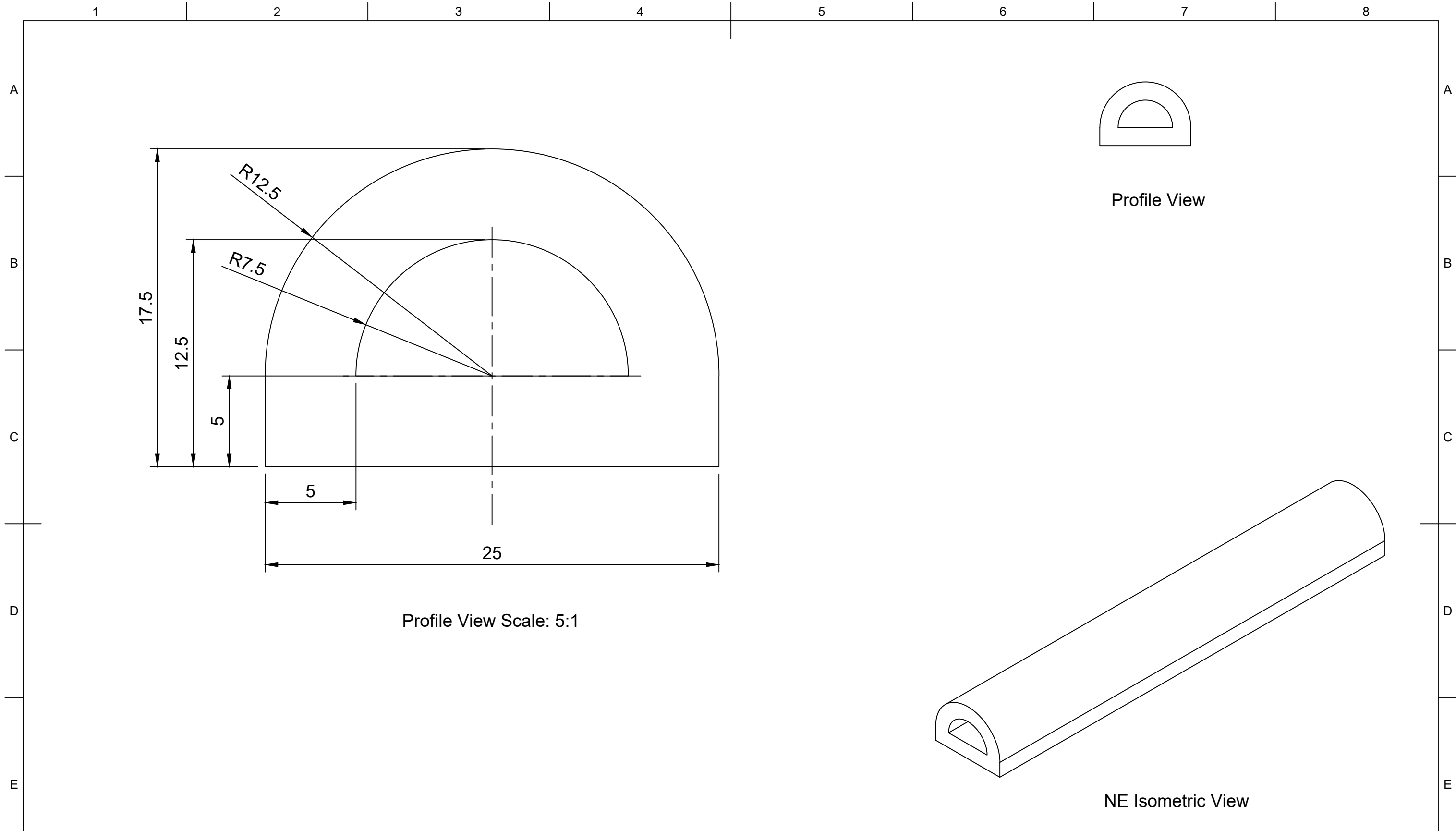
	Part Number				Created By		Cross Sectional Area (mm ²)		Nominal Dimension (mm)		Tolerance, ± (mm)
	206756				Oliver Ryan		25995		Greater Than	Less Than or Equal to	
	Description				Date Drawn		Material		0.00		0.40
					D Section - Hollow		30/05/2022		EPDM		
	Revision				Approved By		Hardness (Shore A)		2.50		0.70
					1		Date of Approval		70		
	Date of Issue				Date of Approval		Colour		6.30		1.00
					30/05/2022		Black		10.00		
	Sheet Scale				Projection		Weight (kg/m)		25.00		2.00
					1:2		3rd Agl. 		32.754		
	Sheet Size				Projection				63.00		2.50
					A3				100.00		
	Sheet								100.00		3.20%
					1/1						



	Part Number				Created By		Cross Sectional Area (mm²)		Nominal Dimension (mm)		Tolerance, ± (mm)
	202194				Isaac Erskine		1132		Greater Than	Less Than or Equal to	
	Description				Date Drawn		Material		0.00	1.50	0.40
	D Section - D Centre				05/09/2020		EPDM		1.50	2.50	0.50
	Revision				Approved By		Hardness (Shore A)		2.50	4.00	0.70
	A	21/02/2022		Isaac Erskine		70		4.00	6.30	0.80	
	Date of Issue		Sheet Scale		Date of Approval		Colour		6.30	10.00	1.00
	21/02/2022		1:1		21/02/2022		Black		10.00	16.00	1.30
	Sheet Size		Sheet		Projection		Weight (kg/m)		16.00	25.00	1.60
	A3		1/1		3rd Ang. 		1.426		25.00	40.00	2.00
								40.00	63.00	2.50	
								63.00	100.00	3.20	
								100.00		3.20%	



	Part Number				Created By		Cross Sectional Area (mm²)		Nominal Dimension (mm)		Tolerance, ± (mm)	
	200389				David Stirling		6406		Greater Than	Less Than or Equal to		
	Description				Date Drawn		Material					
	D Section - D Centre (Half Moon)				30/04/2020		EPDM					
					Approved By		Hardness (Shore A)					
							70					
					Date of Approval		Colour					
							Black					
					Projection		Weight (kg/m)					
					3rd Agl. 		8.080					
Revision		Date of Issue		Sheet Scale		Sheet Size		Sheet		25.00	40.00	2.00
A		20/01/2022		1:1		A3		1/1		40.00	63.00	2.50
										63.00	100.00	3.20
										100.00		3.20%

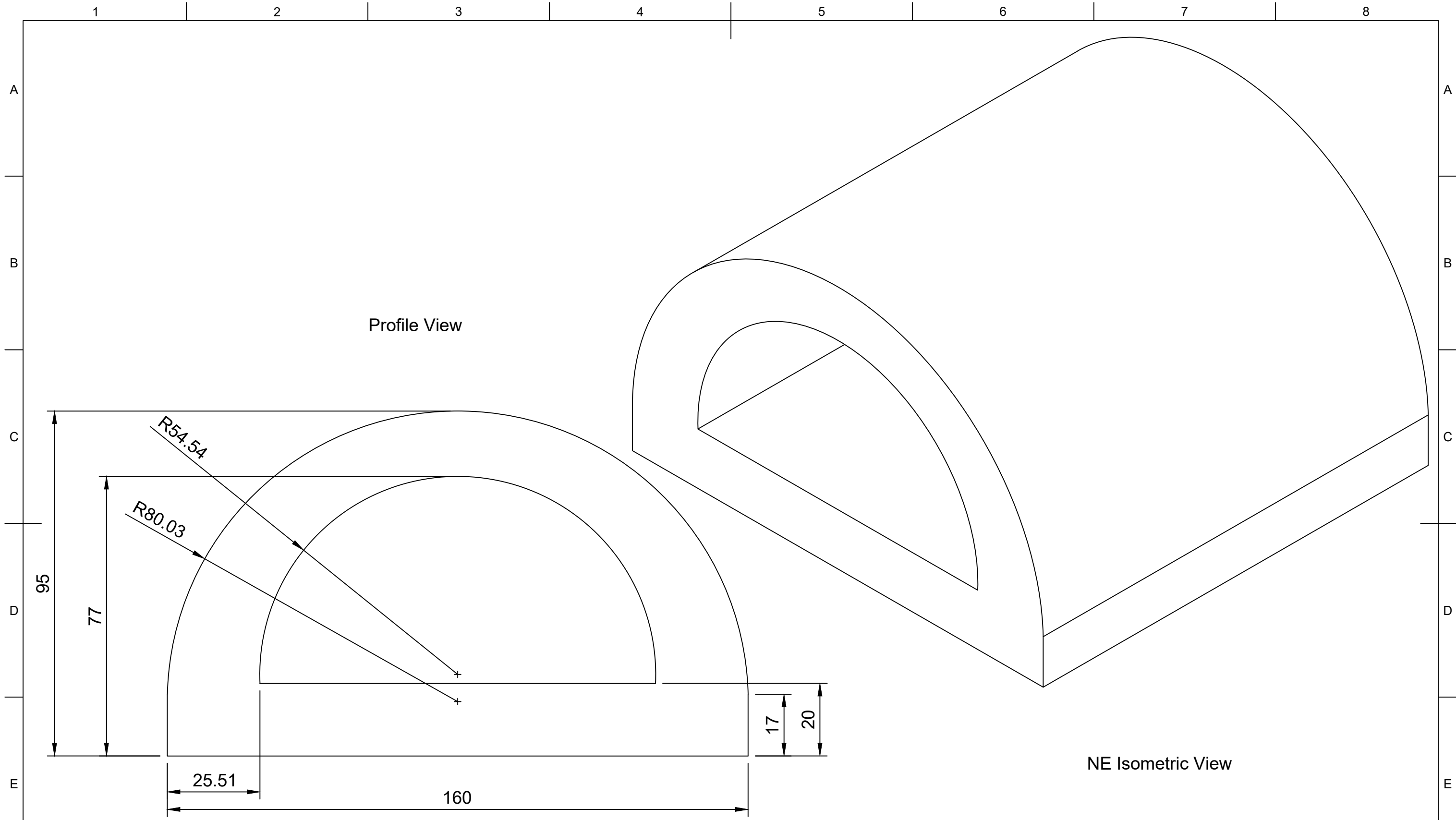



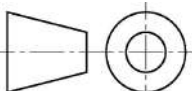
Profile View

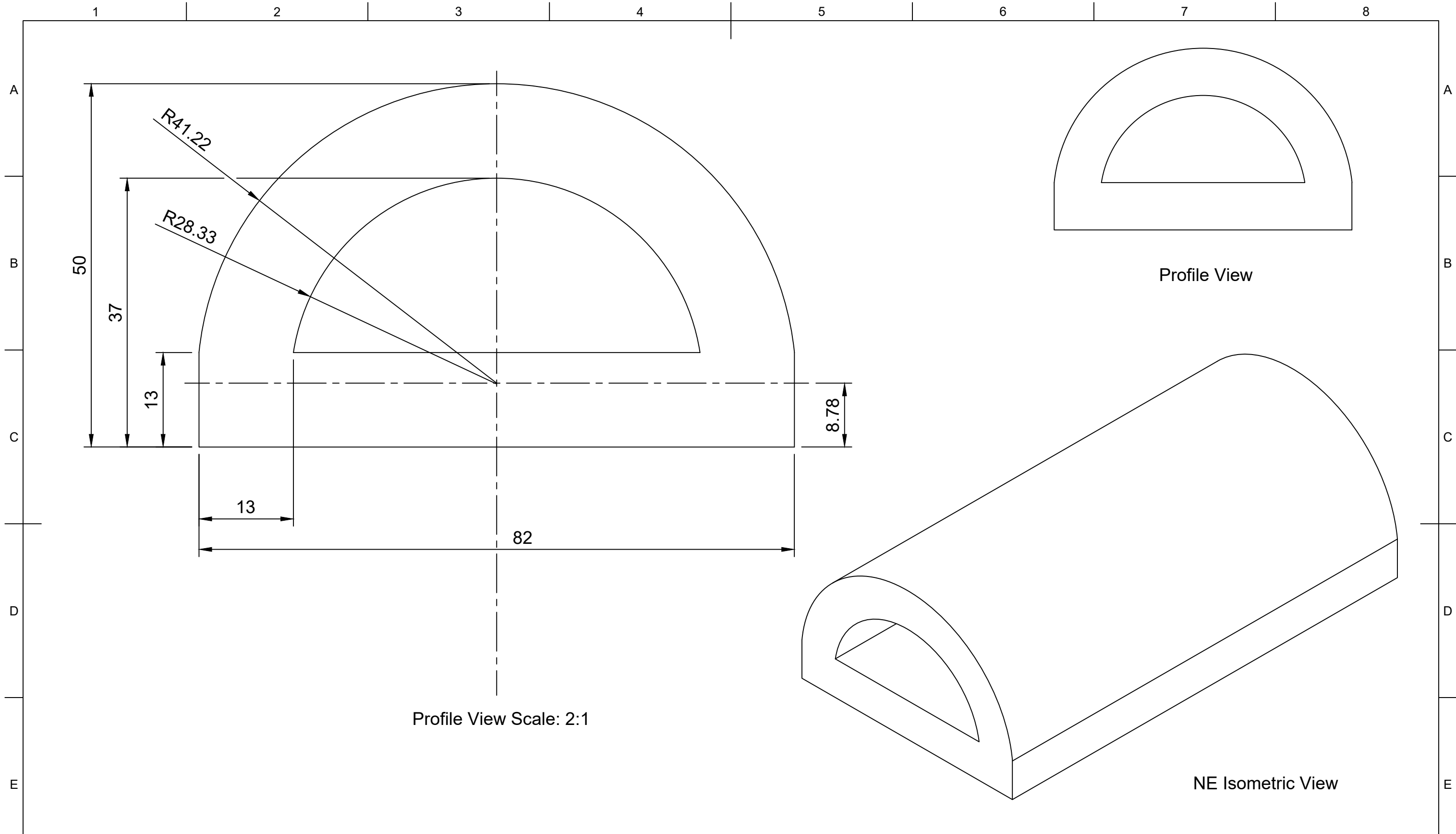
Profile View Scale: 5:1

NE Isometric View

	Part Number				Created By		Cross Sectional Area (mm ²)		Nominal Dimension (mm)		Tolerance, ± (mm)
	200659				David Stirling		282		Greater Than	Less Than or Equal to	
	Description				Date Drawn		Material		0.00	1.50	0.40
					03/05/2020		EPDM		1.50	2.50	0.50
	D Section - D Centre (Half Moon)				Approved By		Hardness (Shore A)		2.50	4.00	0.70
					Date of Approval		70		4.00	6.30	0.80
							Colour		6.30	10.00	1.00
					Black		10.00	16.00	1.30		
	Revision	Date of Issue	Sheet Scale	Sheet Size	Sheet	Projection	Weight (g/m)		16.00	25.00	1.60
	A	20/01/2022	1:1	A3	1/1	3rd Agl.	350		25.00	40.00	2.00
								40.00	63.00	2.50	
								63.00	100.00	3.20	
								100.00		3.20%	



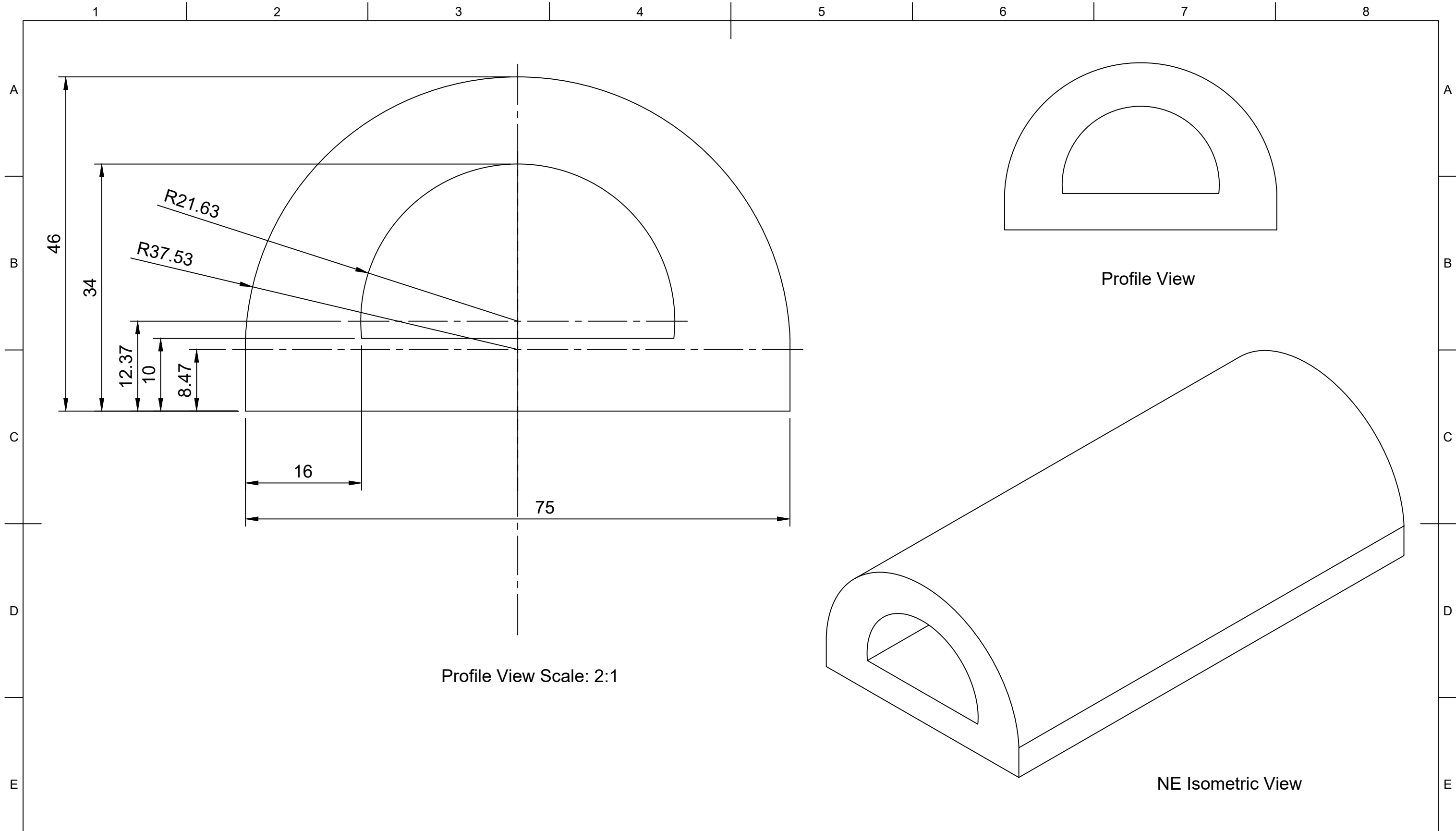
	Part Number				Created By		Cross Sectional Area (mm²)		Nominal Dimension (mm)		Tolerance, ± (mm)
	201363				David Stirling		7515		Greater Than	Less Than or Equal to	
	Description				Date Drawn		Material				
	D Section - D Centre (Half Moon)				01/05/2020		EPDM				0.40
					Approved By		Hardness (Shore A)				0.50
					Date of Approval		70				0.70
					Projection		Colour				0.80
					3rd Agl. 		Black				1.00
	Revision	Date of Issue	Sheet Scale	Sheet Size	Sheet	Weight (kg/m)				1.30	
	A	20/01/2022	1:1	A3	1/1	9.700				1.60	
										2.00	
										2.50	
										3.20	
										3.20%	


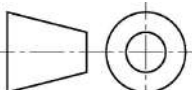


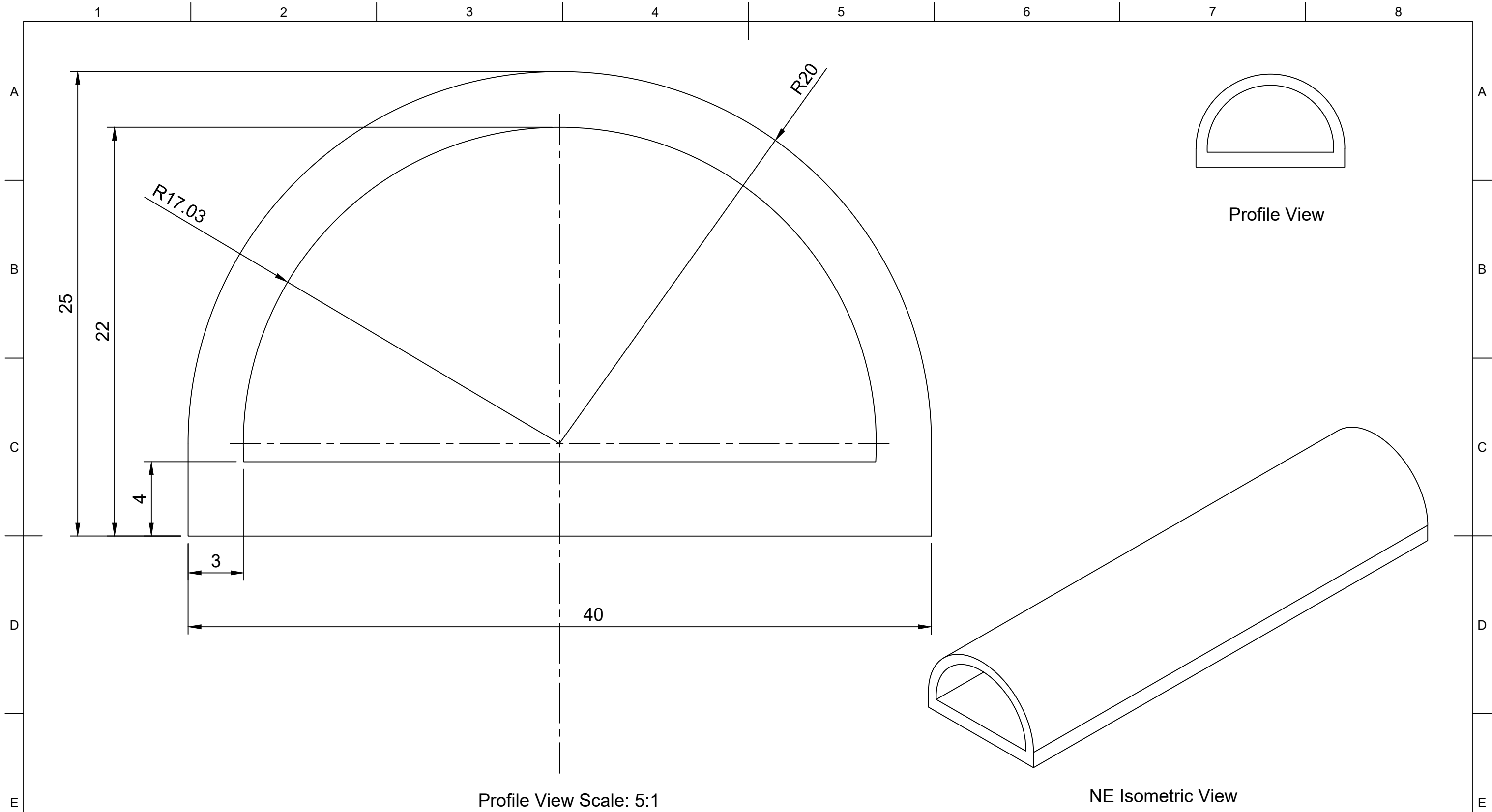
Profile View Scale: 2:1

NE Isometric View

	Part Number				Created By		Cross Sectional Area (mm ²)		Nominal Dimension (mm)		Tolerance, ± (mm)
	202450				David Stirling		2371		Greater Than	Less Than or Equal to	
	Description				Date Drawn		Material		0.00		0.40
					11/05/2020		EPDM		1.50		0.50
	D Section - D Centre (Half Moon)				Approved By		Hardness (Shore A)		2.50		0.70
					Date of Approval		70		4.00		0.80
							Colour		10.00		1.00
	Revision				Projection		Weight (kg/m)		16.00		1.60
	A	Date of Issue		Sheet Scale	Sheet Size	Sheet	3rd Agl.		25.00		2.00
		21/01/2022		1:1	A3	1/1			40.00		2.50
						2.987		63.00		3.20	
								100.00		3.20%	


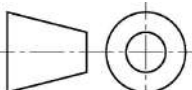


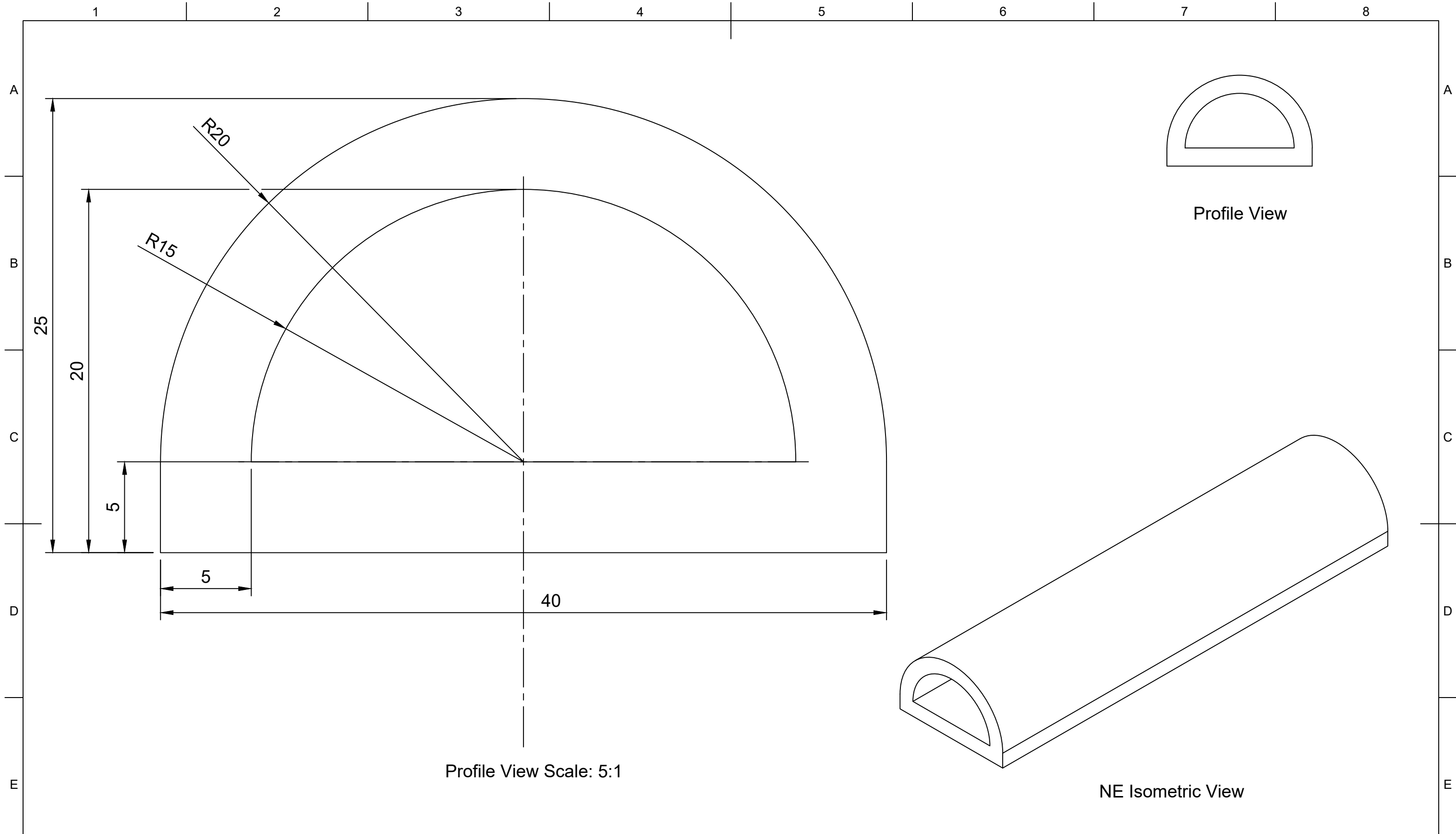
	Part Number				Created By		Cross Sectional Area (mm ²)		Nominal Dimension (mm)		Tolerance, ± (mm)
	202739				David Stirling		2010		Greater Than	Less Than or Equal to	
	Description				Date Drawn		Material		0.00		0.40
					07/05/2020		EPDM		1.50		0.50
	D Section - D Centre (Half Moon)				Approved By		Hardness (Shore A)		2.50		0.70
					Date of Approval		70		4.00		0.80
	Revision				Date of Issue		Colour		6.30		1.00
					21/01/2022		Black		10.00		1.30
	A		Sheet Scale		Projection		Weight (kg/m)		16.00		1.60
	1:1		A3		3rd Agl. 		2.533		25.00		2.00
1/1		Sheet Size		Sheet				40.00		2.50	
		A3		1/1				63.00		3.20	
								100.00		3.20%	


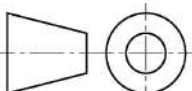


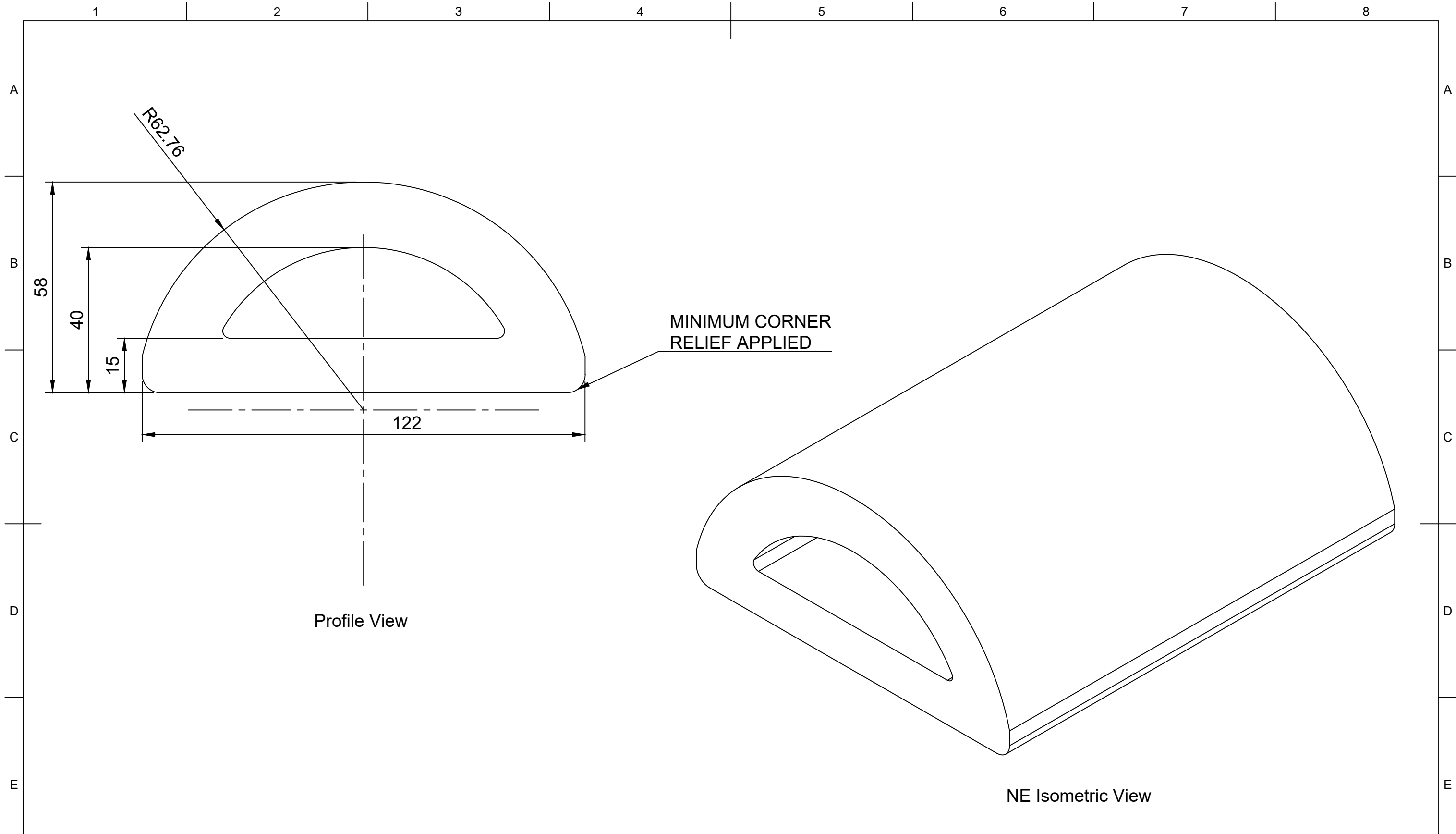
Profile View Scale: 5:1

NE Isometric View

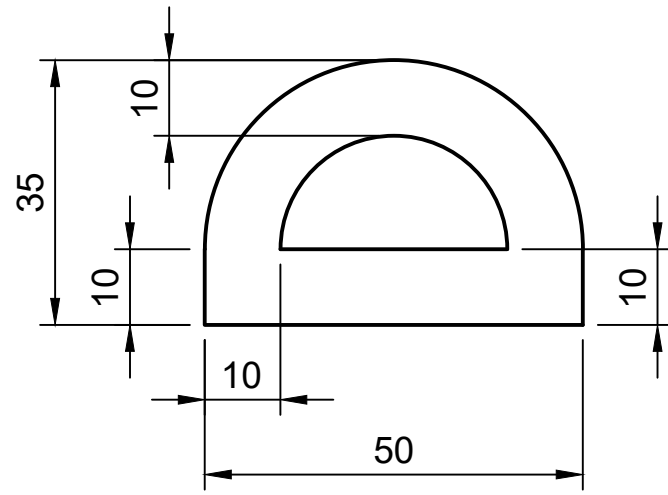
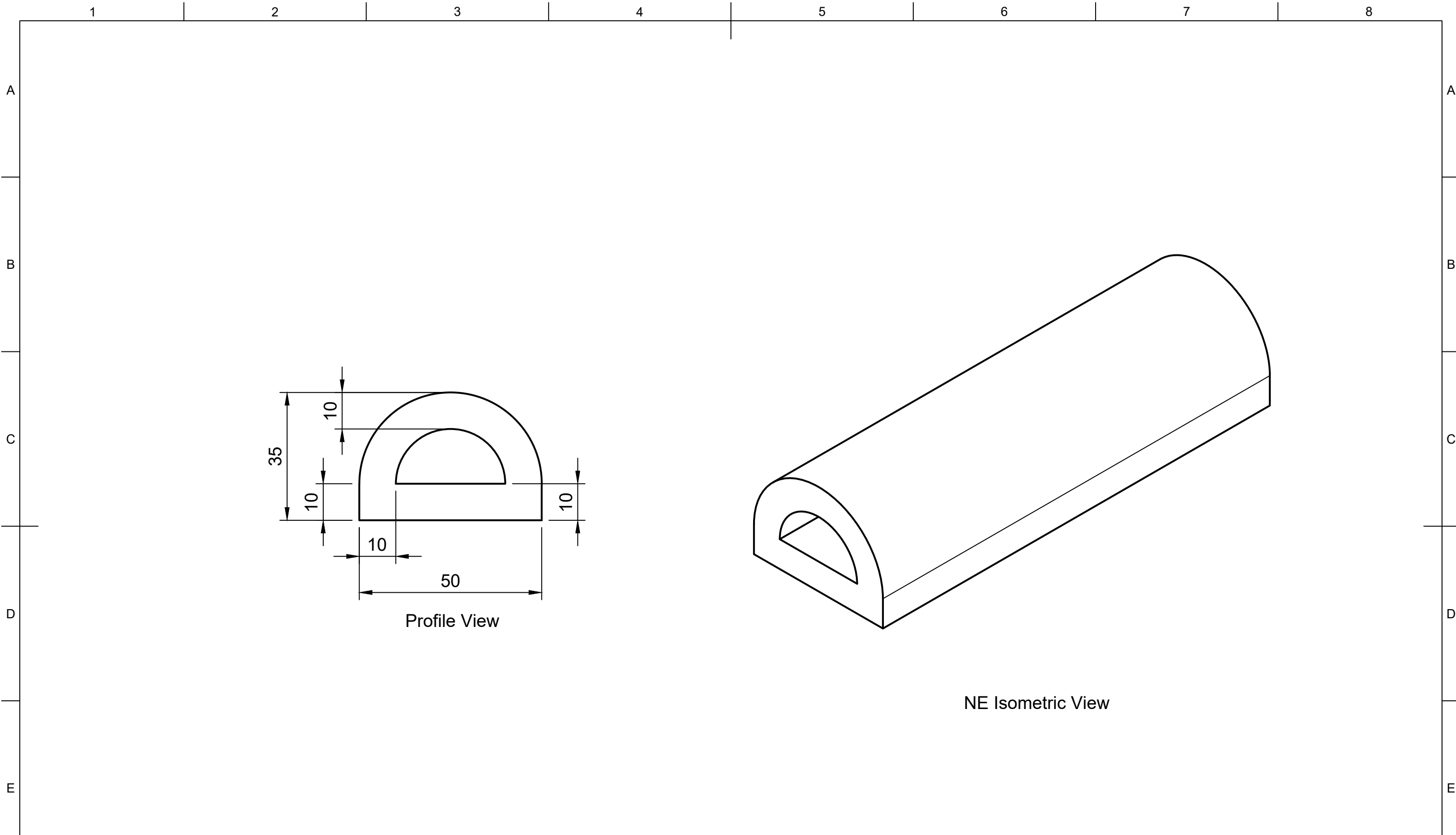
	Part Number				Created By		Cross Sectional Area (mm²)		Nominal Dimension (mm)		Tolerance, ± (mm)
	203168				David Stirling		340		Greater Than	Less Than or Equal to	
	Description				Date Drawn		Material		0.00	1.50	0.40
	D Section - D Centre (Half Moon)				04/05/2020		EPDM		1.50	2.50	0.50
	Revision				Approved By		Hardness (Shore A)		2.50	4.00	0.70
	A	Date of Issue		Sheet Scale	Sheet Size	Sheet	Date of Approval		4.00	6.30	0.80
		21/01/2022		1:1	A3	1/1			6.30	10.00	1.00
	Projection				Weight (g/m)				10.00	16.00	1.30
	3rd Agl. 				430				16.00	25.00	1.60
									25.00	40.00	2.00
								40.00	63.00	2.50	
								63.00	100.00	3.20	
								100.00		3.20%	



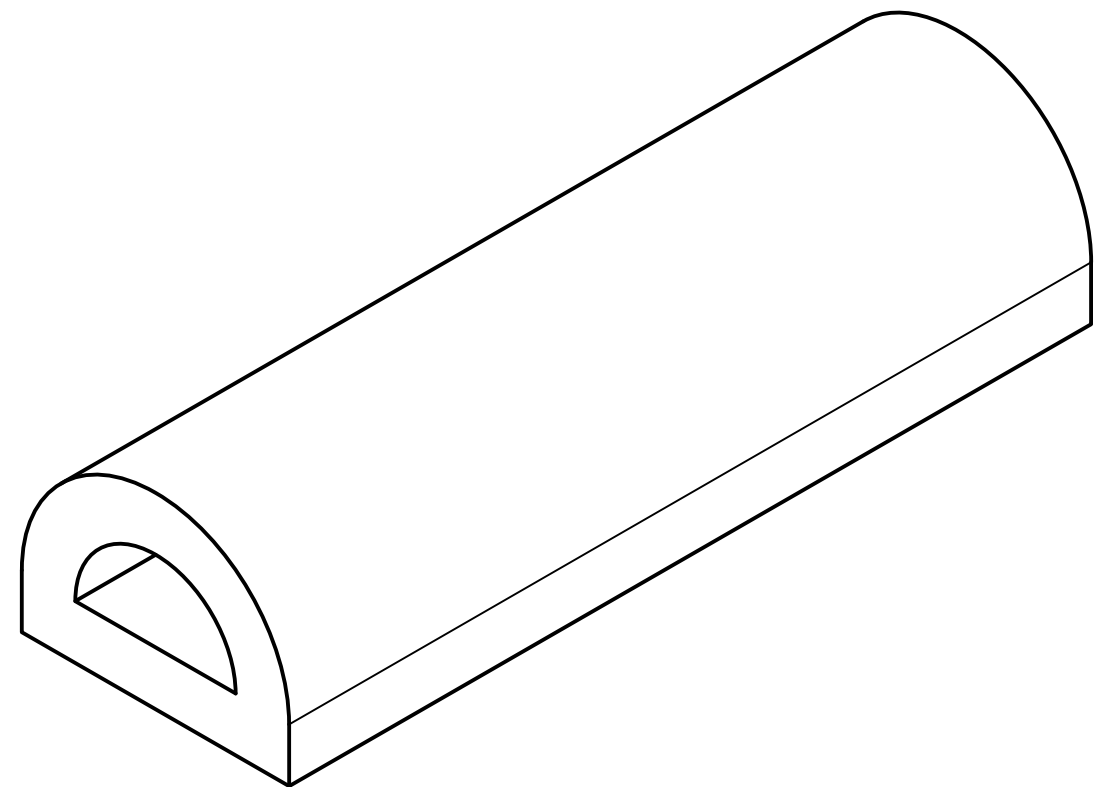
	Part Number				Created By		Cross Sectional Area (mm²)		Nominal Dimension (mm)		Tolerance, ± (mm)
	203684				David Stirling		475		Greater Than	Less Than or Equal to	
	Description				Date Drawn		Material		0.00	1.50	0.40
	D Section - D Centre (Half Moon)				04/05/2020		EPDM		1.50	2.50	0.50
					Approved By		Hardness (Shore A)		2.50	4.00	0.70
					Date of Approval		70		4.00	6.30	0.80
					Projection		Colour		6.30	10.00	1.00
					3rd Agl. 		Black		10.00	16.00	1.30
	Revision	Date of Issue	Sheet Scale	Sheet Size	Sheet	Weight (g/m)		16.00	25.00	1.60	
	A	21/01/2022	1:1	A3	1/1	599		25.00	40.00	2.00	
							40.00	63.00	2.50		
							63.00	100.00	3.20		
							100.00		3.20%		




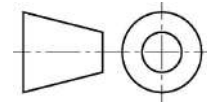
Part Number 203982					Created By David Stirling		Cross Sectional Area (mm ²) 4129		Nominal Dimension (mm)		Tolerance, ± (mm)
					Date Drawn 30/04/2020		Material EPDM		Greater Than	Less Than or Equal to	
Description D Section - D Centre (Half Moon)					Approved By		Hardness (Shore A) 70		0.00	1.50	0.40
					Date of Approval		Colour Black		1.50	2.50	0.50
Revision A	Date of Issue 20/01/2022	Sheet Scale 1:1	Sheet Size A3	Sheet 1/1	Projection 3rd Agl.	Weight (kg/m) 5.200		2.50	4.00	0.70	
								4.00	6.30	0.80	
								6.30	10.00	1.00	
								10.00	16.00	1.30	
								16.00	25.00	1.60	
							25.00	40.00	2.00		
							40.00	63.00	2.50		
							63.00	100.00	3.20		
							100.00		3.20%		

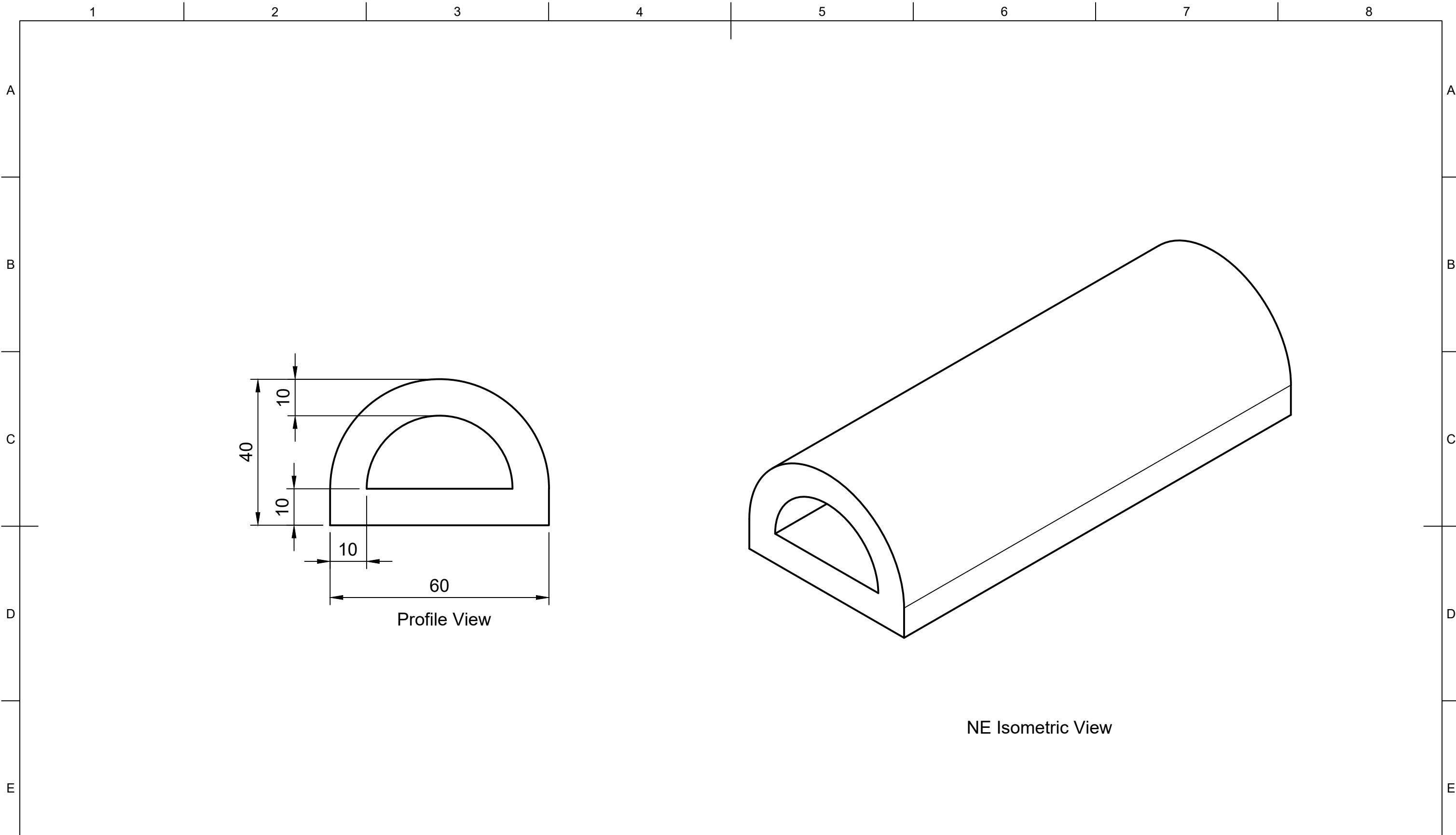


Profile View

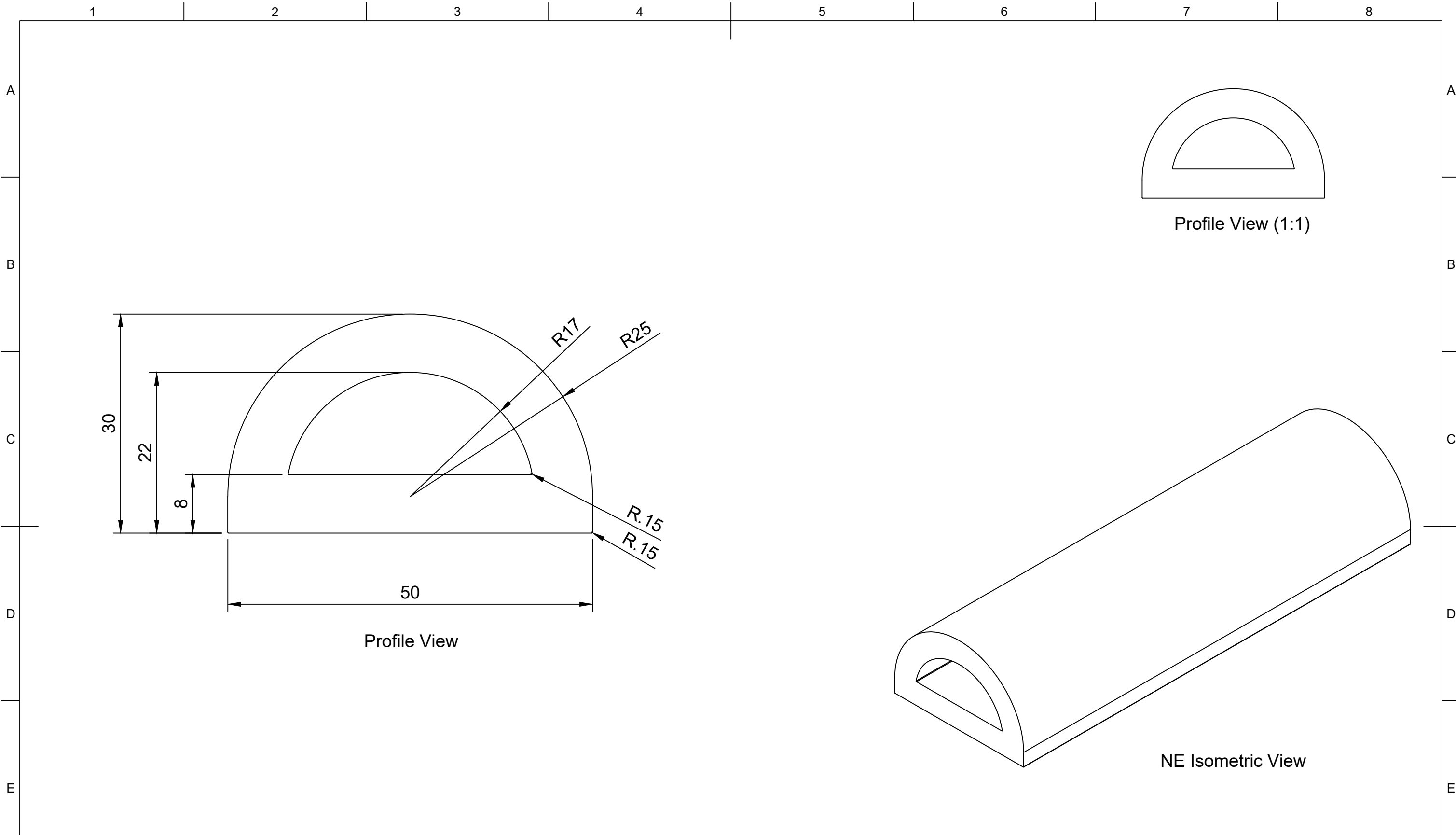


NE Isometric View

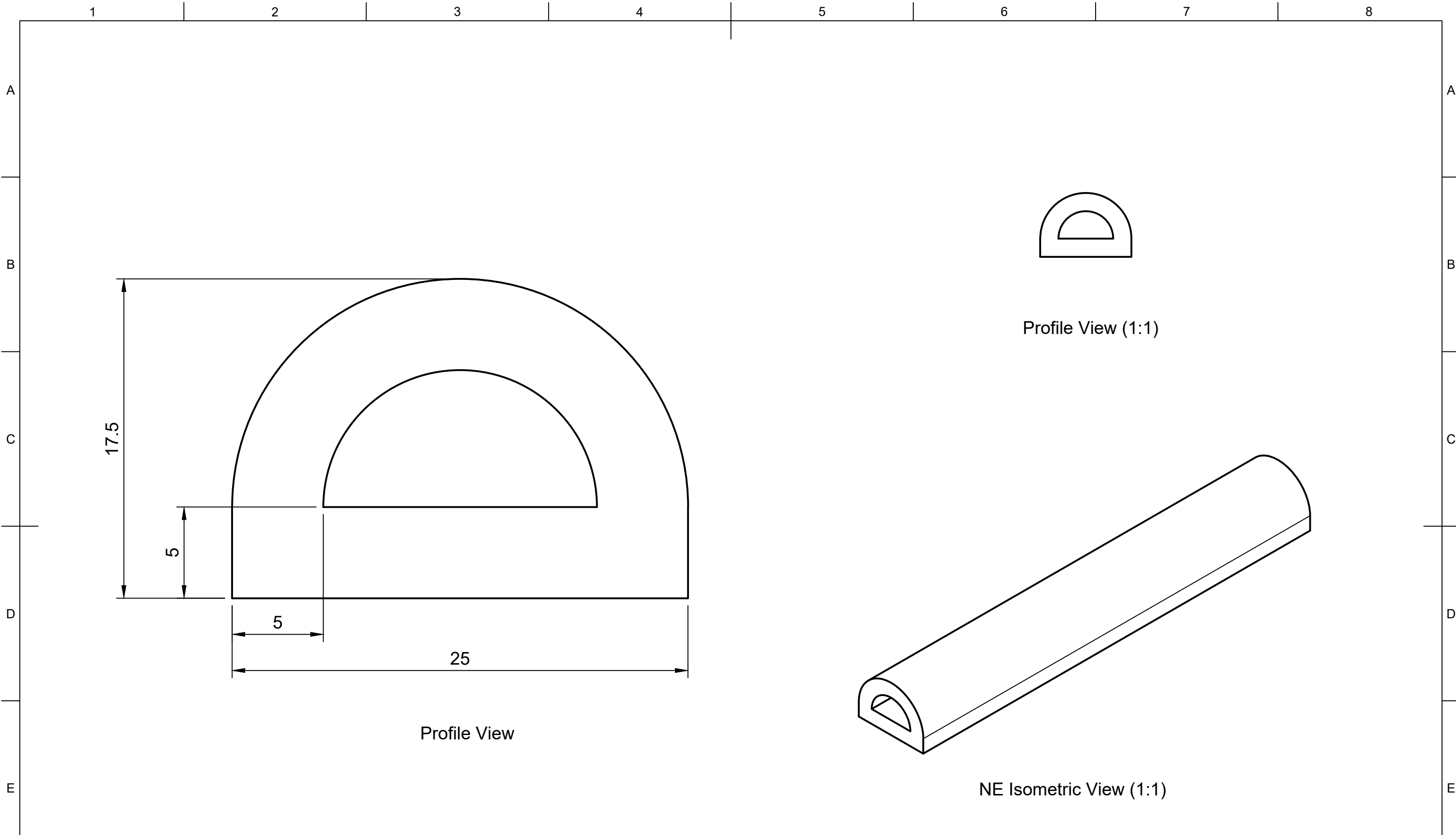
	Part Number				Created By		Cross Sectional Area (mm ²)		Nominal Dimension (mm)		Tolerance, ± (mm)
	204004				David Stirling		1128		Greater Than	Less Than or Equal to	
	Description				Date Drawn		Material		0.00	1.50	0.40
					21/01/2022		Neoprene		1.50	2.50	
	D Section - D Centre (Half Moon)				Approved By		Hardness (Shore A)		2.50	4.00	0.70
					Date of Approval		70		4.00	6.30	
							Colour		Black		6.30
					10.00		16.00		16.00	25.00	1.60
	Revision	Date of Issue	Sheet Scale	Sheet Size	Sheet	Projection	Weight (kg/m)		25.00	40.00	
	A	21/01/2022	1:1	A3	1/1	3rd Agl. 	1.715		40.00	63.00	2.50
								63.00	100.00	3.20	
								100.00			3.20%



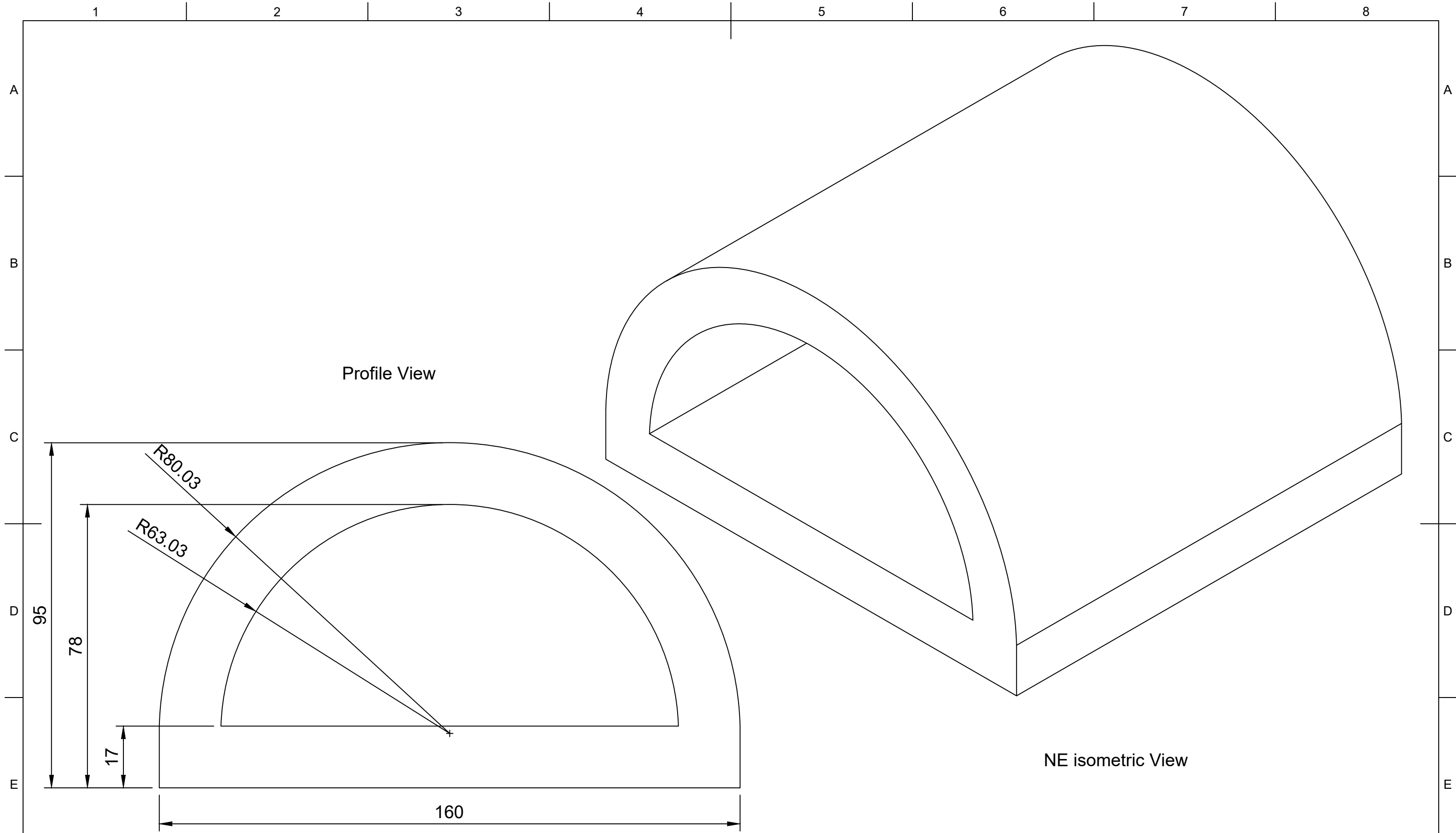
	Part Number				Created By		Cross Sectional Area (mm²)		Nominal Dimension (mm)		Tolerance, ± (mm)	
	204366				David Stirling		1385		Greater Than	Less Than or Equal to		
	Description				Date Drawn		Material		0.00		0.40	
	D Section - D Centre (Half Moon)				21/01/2022		Neoprene		1.50		0.50	
	Revision				Approved By		Hardness (Shore A)		2.50		0.70	
	A	Date of Issue		Sheet Scale		Sheet Size		Sheet		4.00		0.80
		21/01/2022		1:1		A3		1/1		6.30		1.00
	Projection				Date of Approval		Colour		10.00		1.30	
	3rd Agl.						Black		16.00		1.60	
							Weight (kg/m)		25.00		2.00	
						2.105		40.00		2.50		
								63.00		3.20		
								100.00		3.20%		


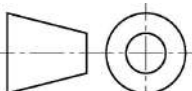


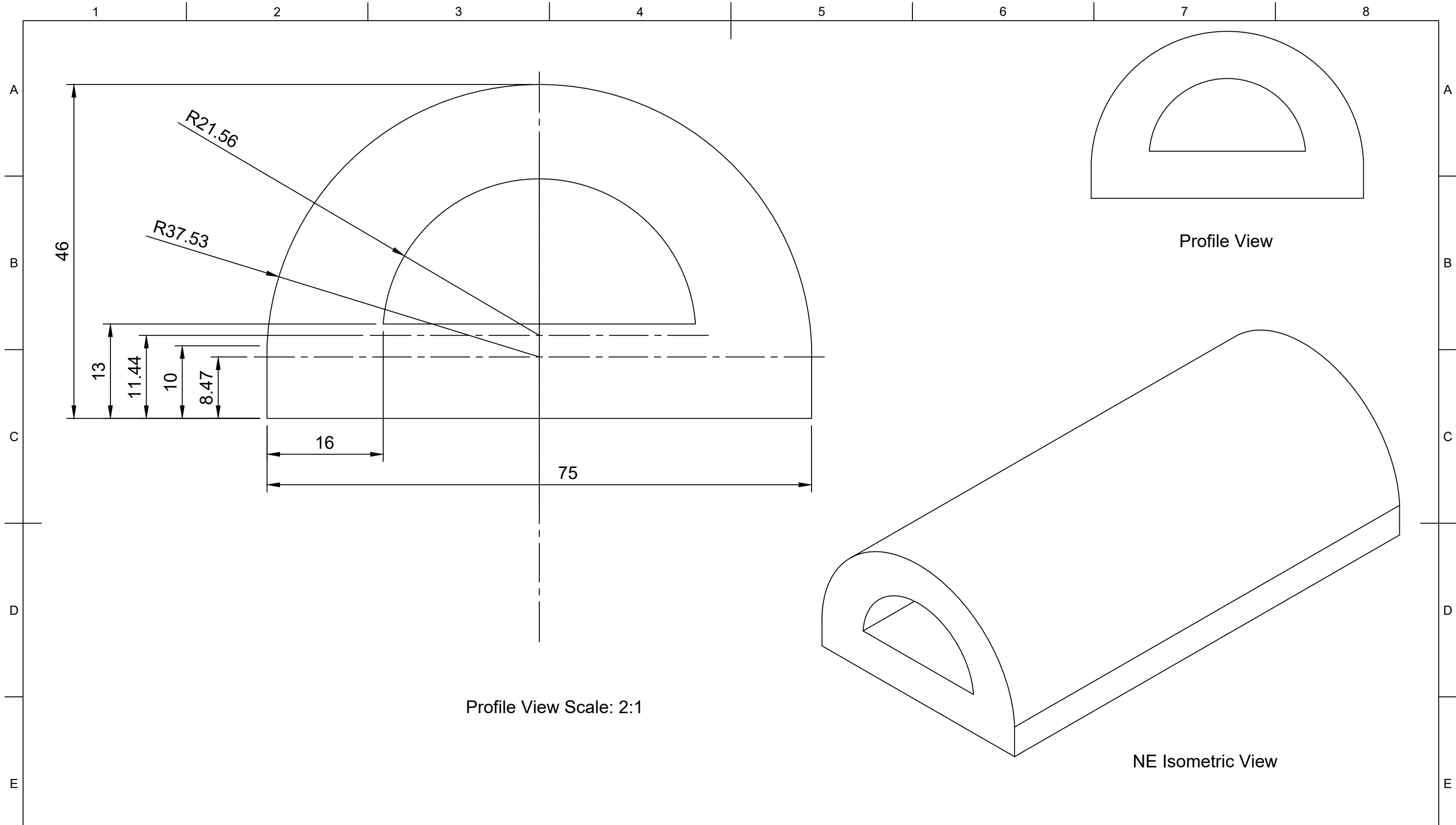
Part Number 204767					Created By David Stirling		Cross Sectional Area (mm ²) 879		Nominal Dimension (mm)		Tolerance, ± (mm)				
					Date Drawn 30/03/2021		Material EPDM		Greater Than	Less Than or Equal to					
Description D Section - D Centre (Half Moon)					Approved By Isaac Erskine		Hardness (Shore A) 70		0.00	1.50	0.40				
					Date of Approval 21/01/2022		Colour Black		1.50	2.50	0.50				
					Revision A	Date of Issue 21/01/2022	Sheet Scale 2:1	Sheet Size A3	Sheet 1/1	Projection 3rd Agl.	Weight (kg/m) 1.11		2.50	4.00	0.70
											6.30	10.00	1.00		
						10.00	16.00	1.30							
						16.00	25.00	1.60							
						25.00	40.00	2.00							
						40.00	63.00	2.50							
						63.00	100.00	3.20							
						100.00		3.20%							



	Part Number				Created By		Cross Sectional Area (mm²)		Nominal Dimension (mm)		Tolerance, ± (mm)
	205021				David Stirling		282		Greater Than	Less Than or Equal to	
					Date Drawn		Material		0.00	1.50	0.40
					20/01/2022		Neoprene		1.50	2.50	0.50
	Description				Approved By		Hardness (Shore A)		2.50	4.00	0.70
	D Section - D Centre (Half Moon)						70		4.00	6.30	0.80
					Date of Approval		Colour		6.30	10.00	1.00
							Black		10.00	16.00	1.30
							Weight (g/m)		16.00	25.00	1.60
							450		25.00	40.00	2.00
								40.00	63.00	2.50	
								63.00	100.00	3.20	
								100.00	—	3.20%	
Revision	Date of Issue	Sheet Scale	Sheet Size	Sheet	Projection						
A	20/01/2022	5:1	A3	1/1	3rd Agl.						


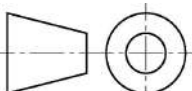


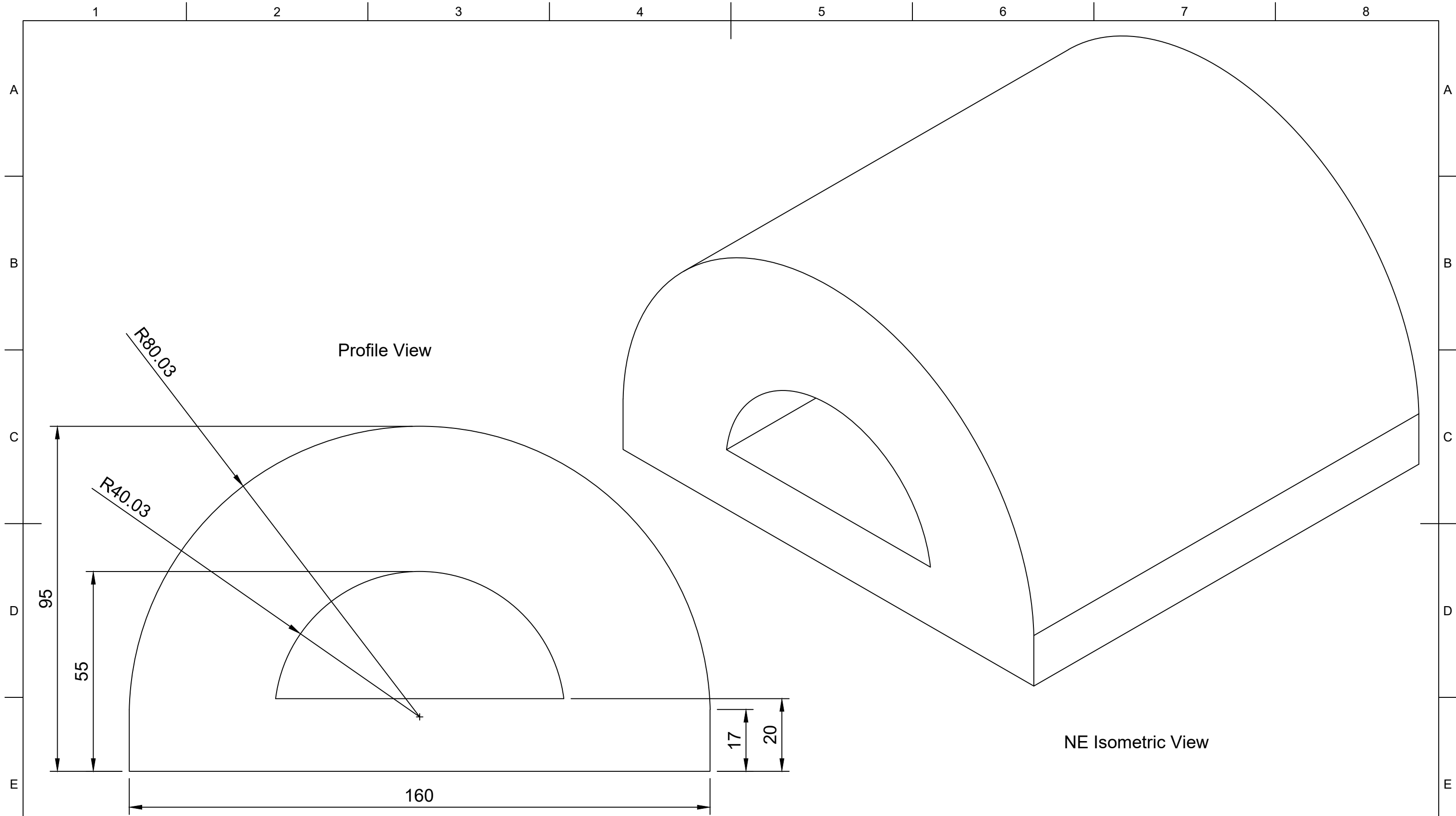
	Part Number				Created By		Cross Sectional Area (mm ²)		Nominal Dimension (mm)		Tolerance, ± (mm)
	205246				David Stirling		6471		Greater Than	Less Than or Equal to	
	Description				Date Drawn		Material		0.00		0.40
	D Section - D Centre (Half Moon)				01/05/2020		EPDM		1.50		0.50
	Revision				Approved By		Hardness (Shore A)		2.50		0.70
	A				Date of Approval		70		4.00		0.80
	Date of Issue				Date of Approval		Colour		6.30		1.00
	20/01/2022				3rd Agl.		Black		10.00		1.30
	Sheet Scale				Projection		Weight (kg/m)		16.00		1.60
	1:1				3rd Agl. 		8.030		25.00		2.00
Sheet Size								40.00		2.50	
A3								63.00		3.20	
Sheet								100.00		3.20%	
1/1											


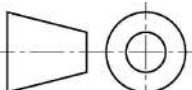


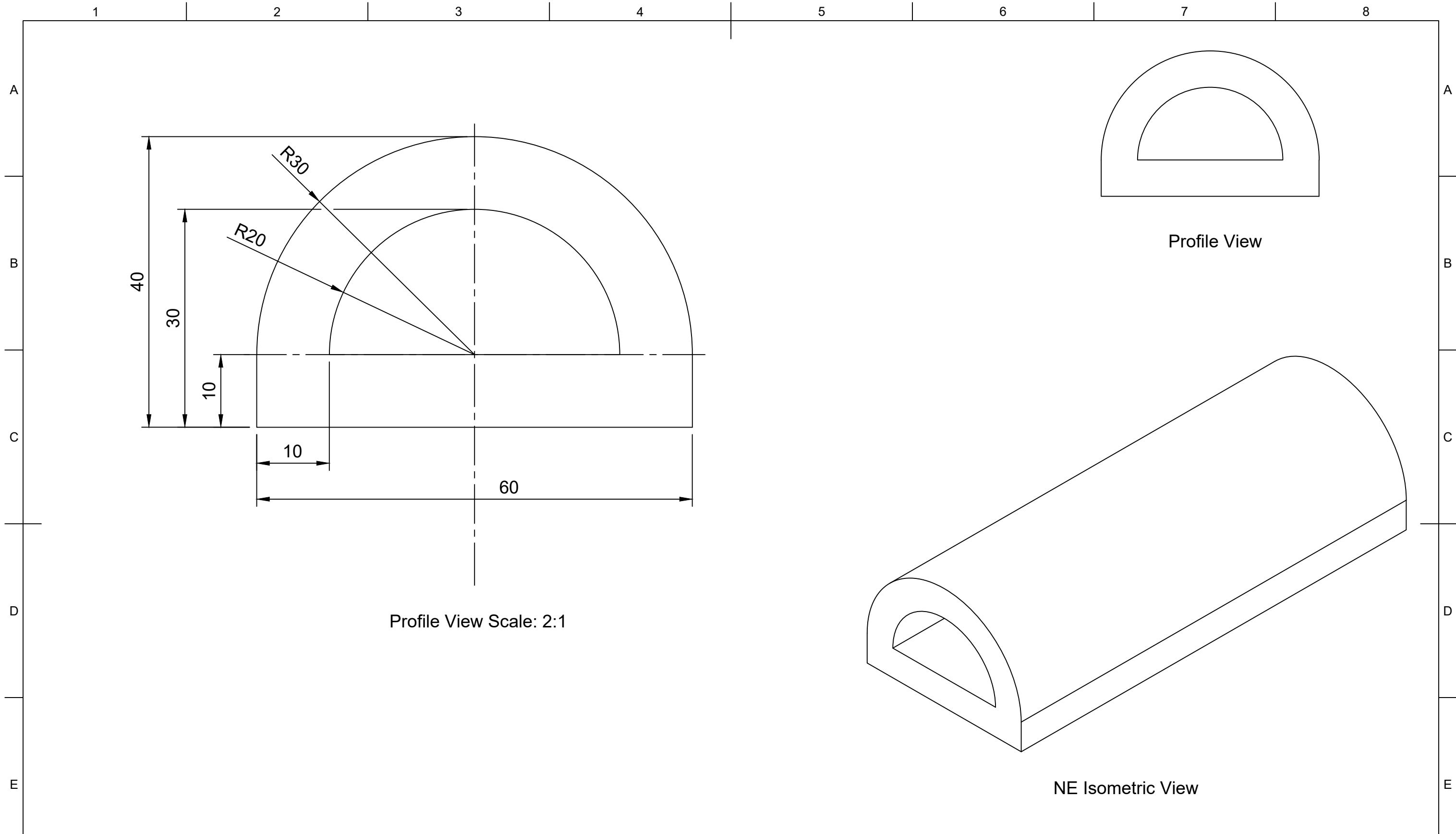
Profile View Scale: 2:1


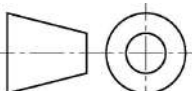
NE Isometric View

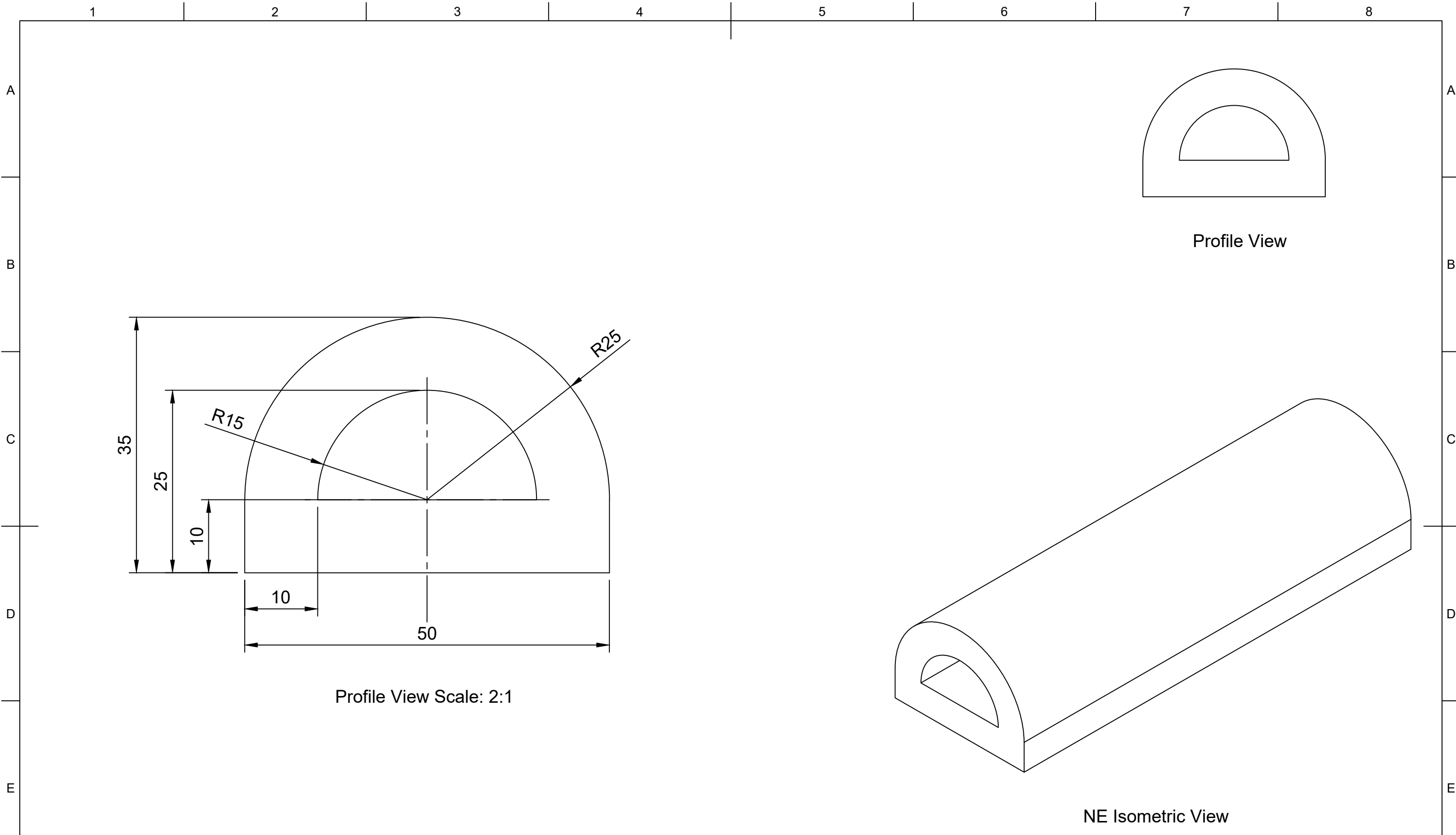
	Part Number				Created By		Cross Sectional Area (mm²)		Nominal Dimension (mm)		Tolerance, ± (mm)
	205982				David Stirling		1263		Greater Than	Less Than or Equal to	
	Description				Date Drawn		Material		0.00		0.40
	205982				06/05/2020		EPDM		1.50		0.50
	Revision				Approved By		Hardness (Shore A)		2.50		0.70
	A				Date of Approval		70		4.00		0.80
	Date of Issue				Projection		Colour		6.30		1.00
	20/01/2022				3rd Agl. 		Black		10.00		1.30
	Sheet Scale				Weight (kg/m)		1.591		16.00		1.60
	1:1								25.00		2.00
Sheet Size								40.00		2.50	
A3								63.00		3.20	
Sheet								100.00		3.20%	
1/1											



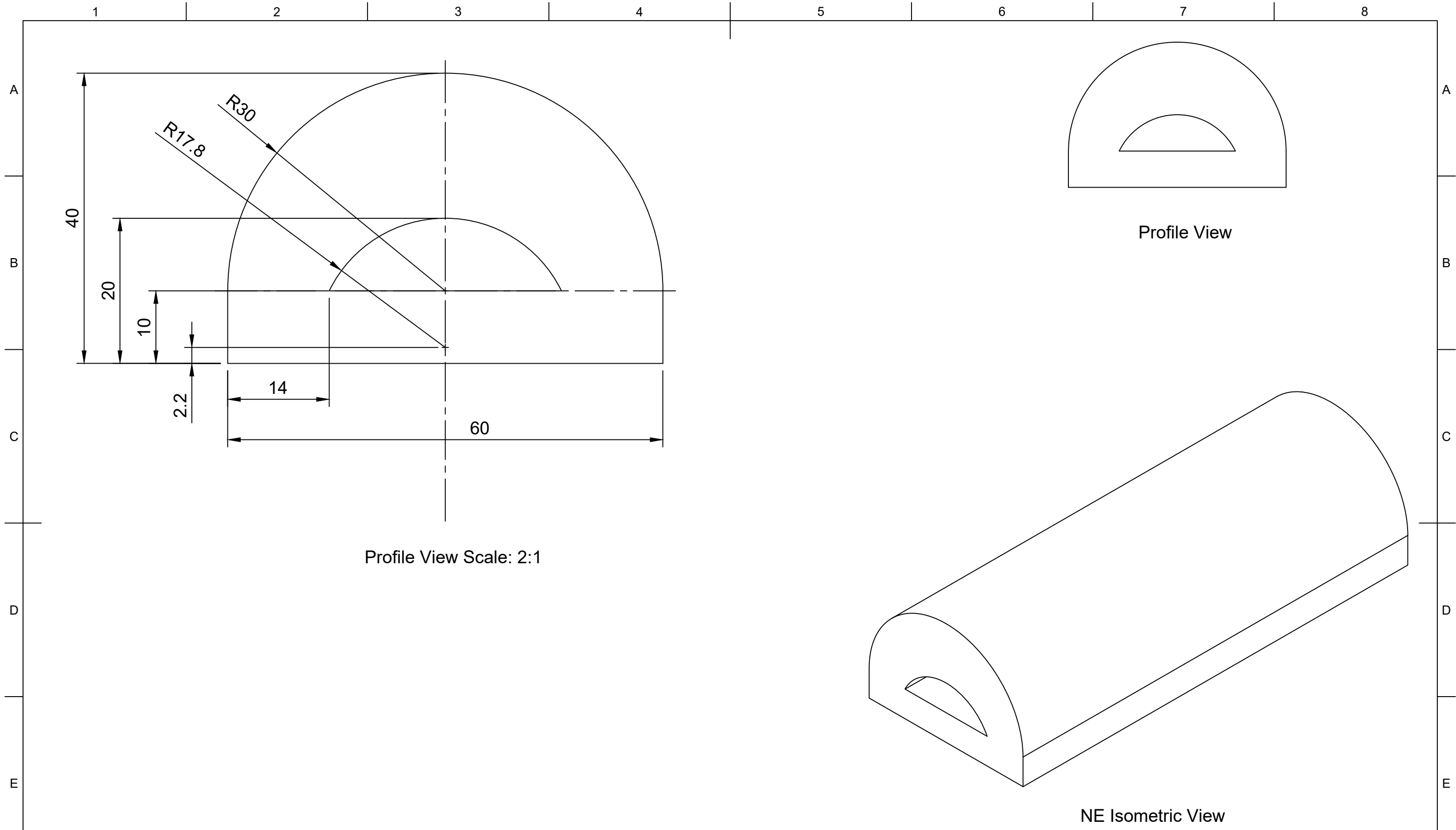
	Part Number				Created By		Cross Sectional Area (mm²)		Nominal Dimension (mm)		Tolerance, ± (mm)
	206082				David Stirling		10340		Greater Than	Less Than or Equal to	
	Description				Date Drawn		Material				
	D Section - D Centre (Half Moon)				01/05/2020		EPDM				
					Approved By		Hardness (Shore A)				
							70				
					Date of Approval		Colour				
							Black				
					Projection		Weight (kg/m)				
					3rd Agl. 		13.030				
Revision	Date of Issue	Sheet Scale	Sheet Size	Sheet							
A	20/01/2022	1:1	A3	1/1							



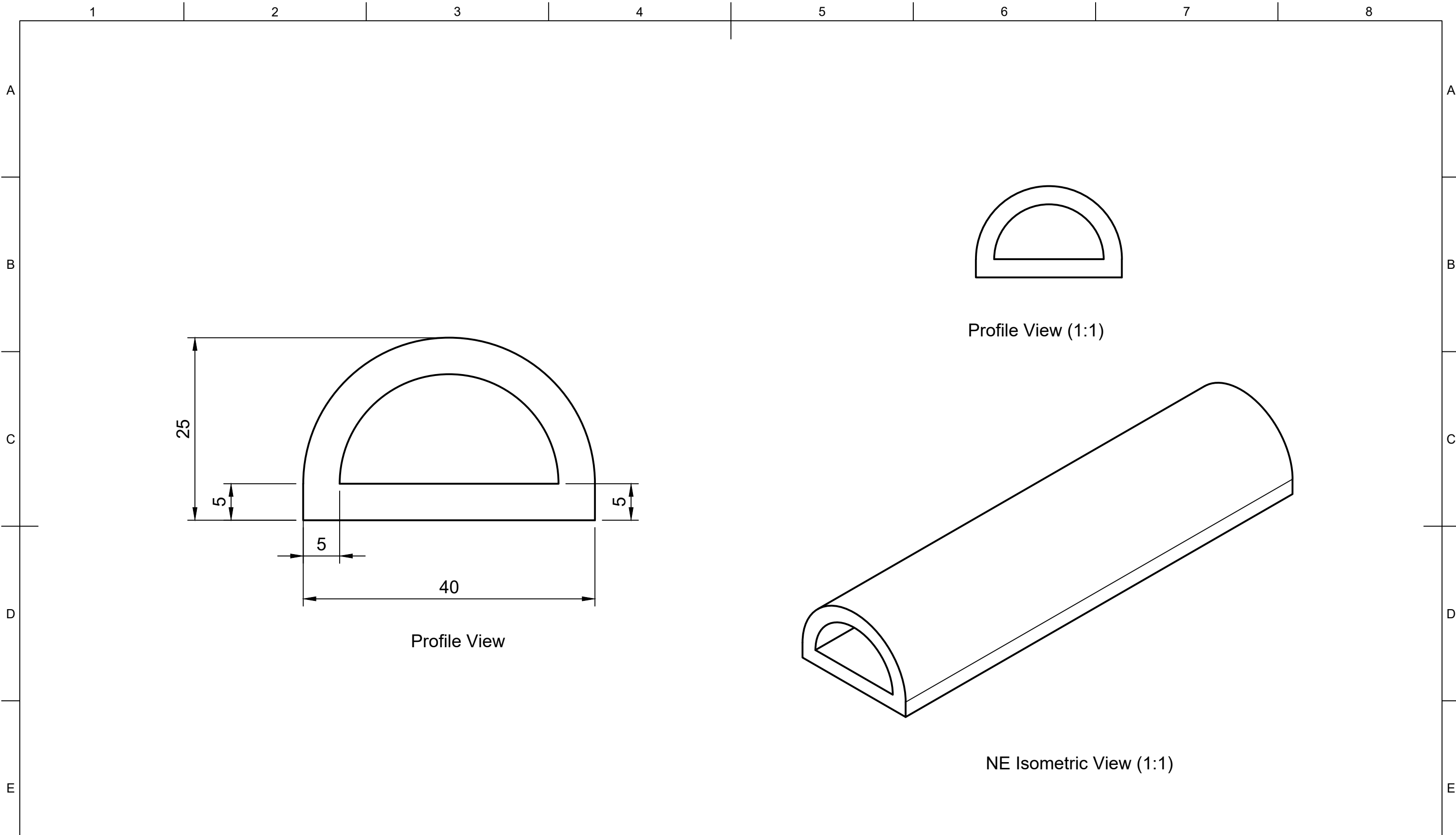
	Part Number				Created By		Cross Sectional Area (mm²)		Nominal Dimension (mm)		Tolerance, ± (mm)	
	206802				David Stirling		1385		Greater Than	Less Than or Equal to		
	Description				Date Drawn		Material		0.00	1.50	0.40	
	D Section - D Centre (Half Moon)				06/05/2020		EPDM		1.50	2.50	0.50	
	Revision				Approved By		Hardness (Shore A)		2.50	4.00	0.70	
	A	21/01/2022		Sheet Scale		Date of Approval		70		4.00	6.30	0.80
		1:1		Sheet Size		Colour		Black		6.30	10.00	1.00
		A3		Sheet		Weight (kg/m)		1.745		10.00	16.00	1.30
		1/1		Projection		3rd Agl.				16.00	25.00	1.60
										25.00	40.00	2.00
									40.00	63.00	2.50	
									63.00	100.00	3.20	
									100.00		3.20%	



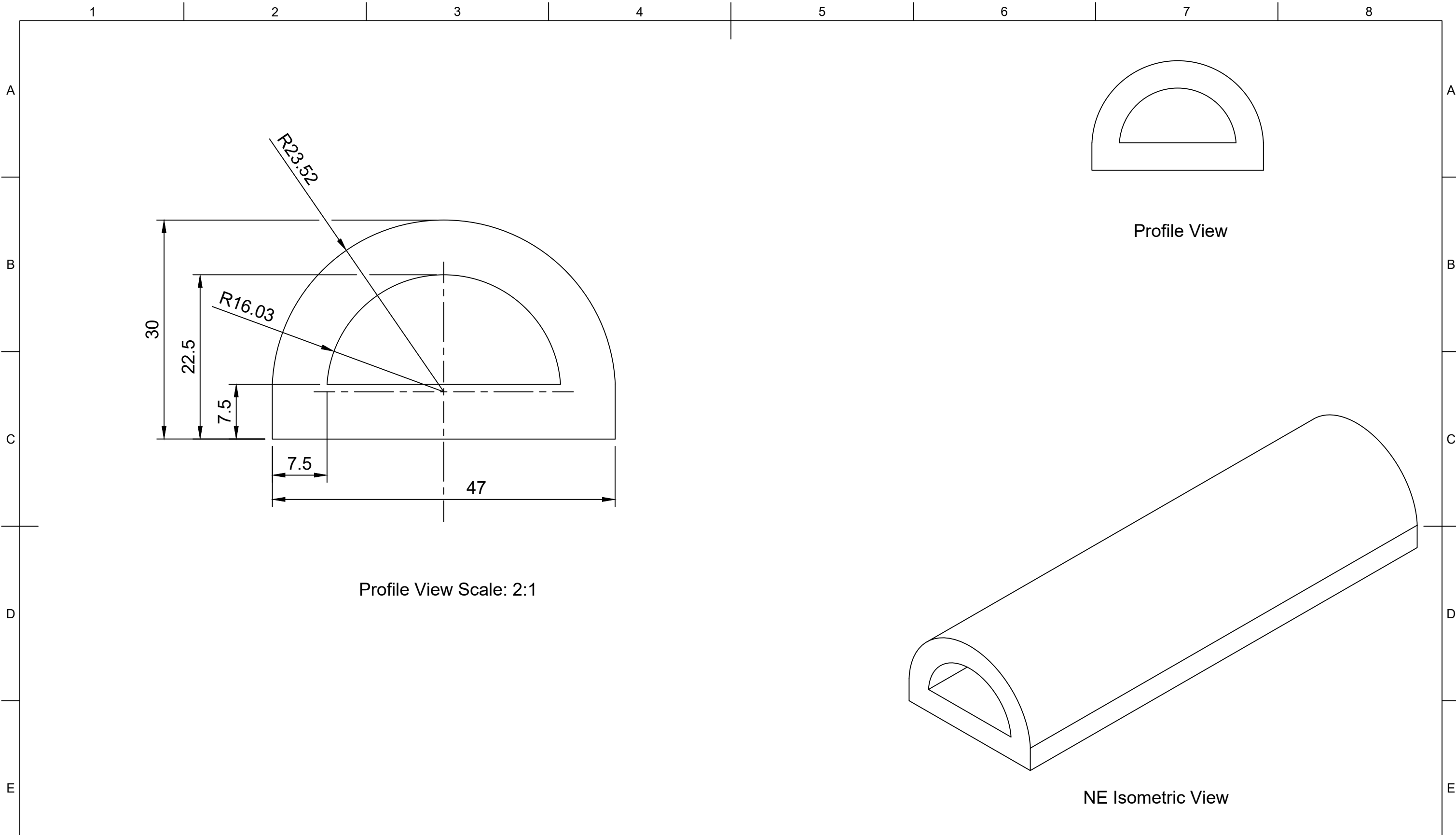
	Part Number				Created By		Cross Sectional Area (mm²)		Nominal Dimension (mm)		Tolerance, ± (mm)
	207102				David Stirling		1128		Greater Than	Less Than or Equal to	
	Description				Date Drawn		Material		0.00	1.50	0.40
	D Section - D Centre (Half Moon)				05/05/2020		EPDM		1.50	2.50	0.50
	Revision				Approved By		Hardness (Shore A)		2.50	4.00	0.70
	A	Date of Issue		Sheet Scale	Sheet Size	Sheet	70		4.00	6.30	0.80
		21/01/2022		1:1	A3	1/1	Date of Approval		6.30	10.00	1.00
							Colour		10.00	16.00	1.30
							Black		16.00	25.00	1.60
							Projection		25.00	40.00	2.00
						3rd Agl.		40.00	63.00	2.50	
						Weight (kg/m)		63.00	100.00	3.20	
						1.421		100.00		3.20%	



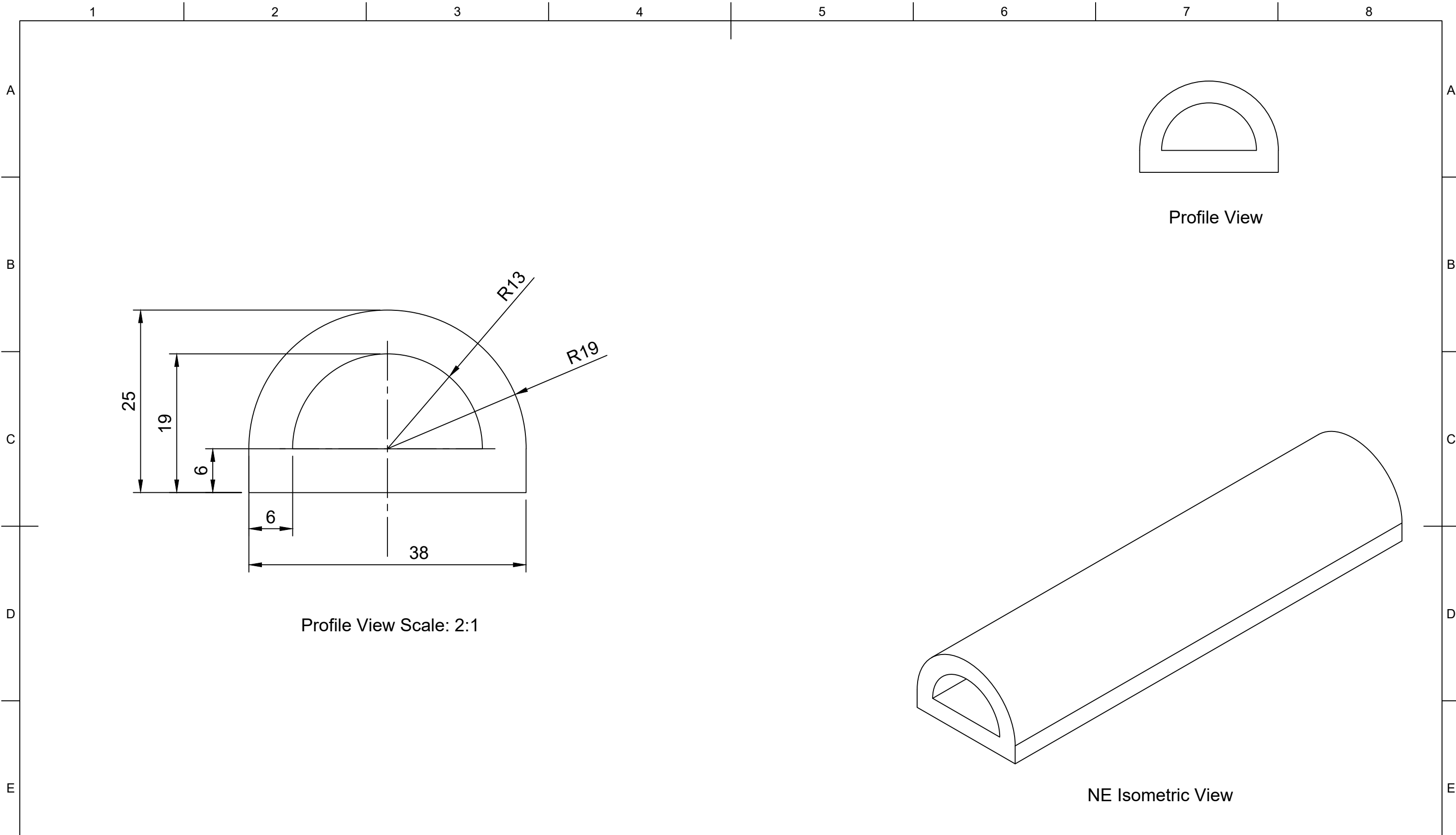
Part Number	208011				Created By	David Stirling	Cross Sectional Area (mm ²)	1785		Nominal Dimension (mm)		Tolerance, ± (mm)
	Date Drawn	06/05/2020			Material	EPDM	Greater Than	Less Than or Equal to	0.00	1.50	0.40	
Description	D Section - D Centre (Half Moon)				Approved By		Hardness (Shore A)	70		1.50	2.50	0.50
	Revision	Date of Issue	Sheet Scale	Sheet Size	Sheet	Date of Approval	Colour	Black		2.50	4.00	0.70
A	21/01/2022	1:1	A3	1/1	Projection	3rd Agl.	Weight (kg/m)	2.249		4.00	6.30	0.80
											6.30	10.00
										10.00	16.00	1.30
										16.00	25.00	1.60
										25.00	40.00	2.00
										40.00	63.00	2.50
										63.00	100.00	3.20
										100.00		3.20%



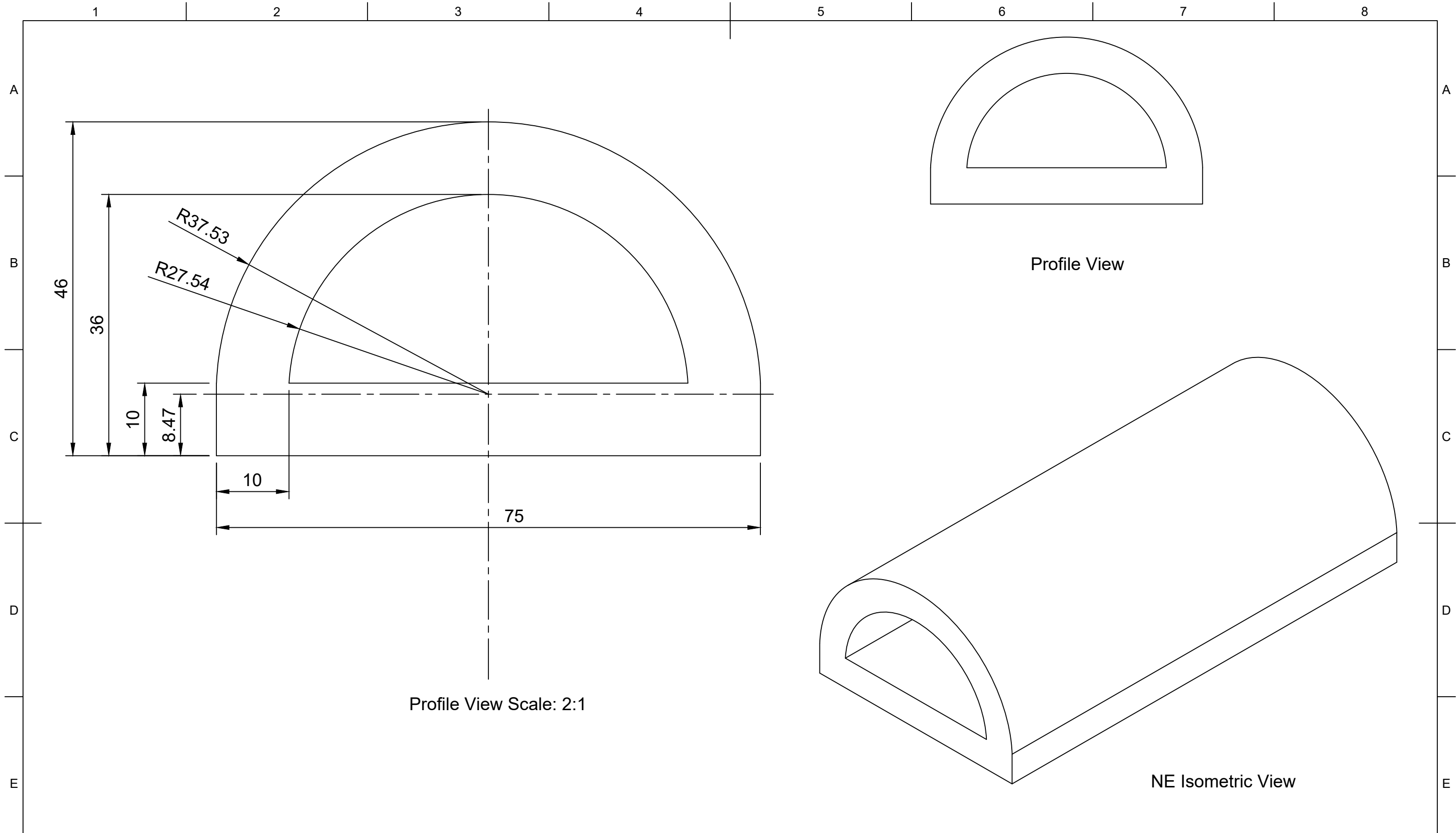
	Part Number				Created By		Cross Sectional Area (mm²)		Nominal Dimension (mm)		Tolerance, ± (mm)
	208844				David Stirling		475		Greater Than	Less Than or Equal to	
	Description				Date Drawn		Material		0.00	1.50	0.40
	D Section - D Centre (Half Moon)				21/01/2022		Neoprene		1.50	2.50	0.50
	Revision				Approved By		Hardness (Shore A)		2.50	4.00	0.70
	A	Date of Issue		Sheet Scale	Sheet Size	Sheet	Date of Approval		4.00	6.30	0.80
		21/01/2022		2:1	A3	1/1	Projection		6.30	10.00	1.00
							3rd Ang.		10.00	16.00	1.30
							Weight (g/m)		16.00	25.00	1.60
							722		25.00	40.00	2.00
								40.00	63.00	2.50	
								63.00	100.00	3.20	
								100.00		3.20%	


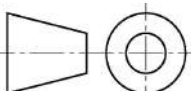


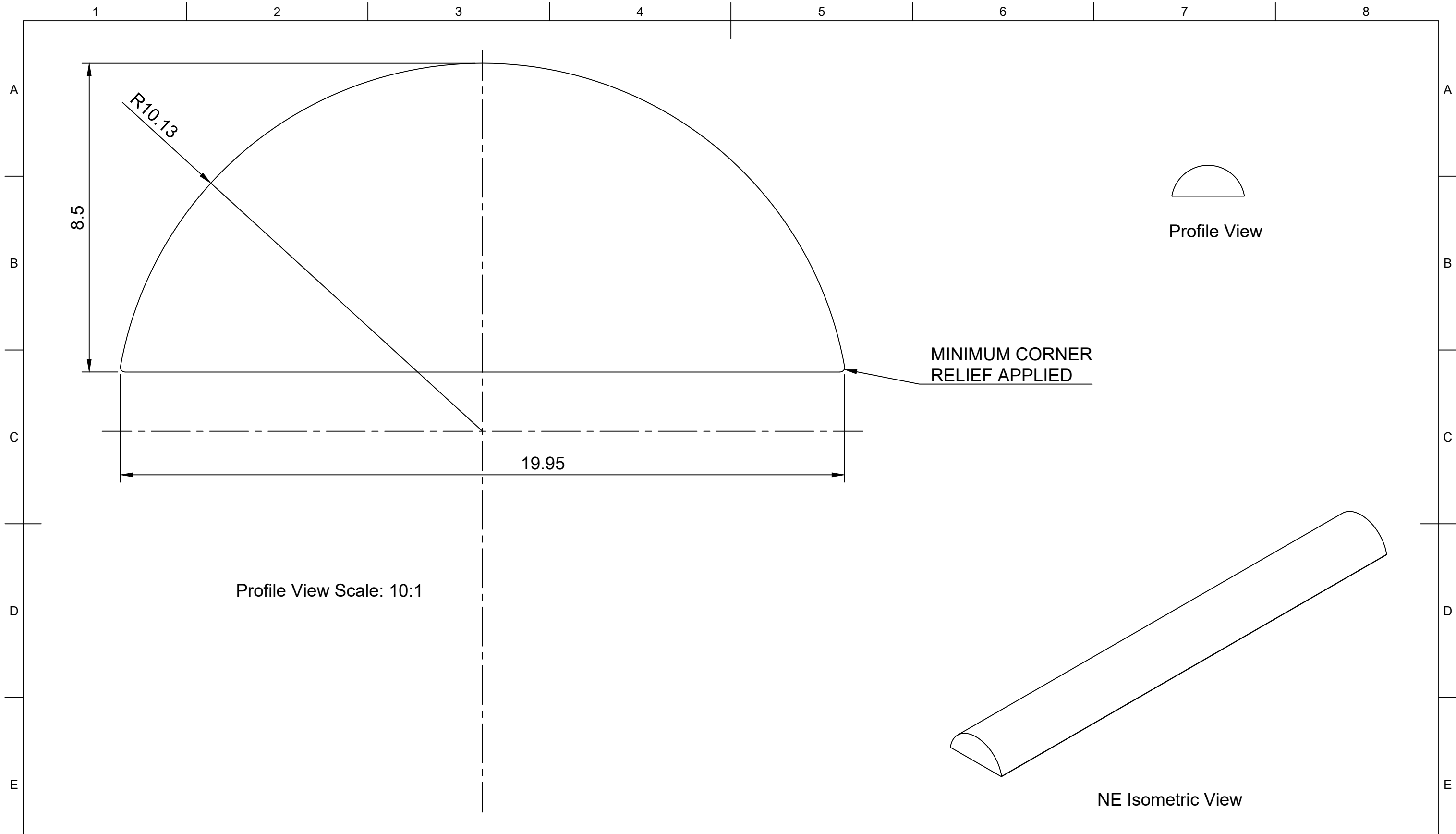
Part Number	209357				Created By	David Stirling	Cross Sectional Area (mm ²)	803		Nominal Dimension (mm)		Tolerance, ± (mm)
					Date Drawn	05/05/2020	Material	EPDM	Greater Than	Less Than or Equal to	0.00	
Description	D Section - D Centre (Half Moon)				Approved By		Hardness (Shore A)	70		1.50	2.50	0.50
					Date of Approval		Colour	Black	2.50	4.00	0.70	
					Weight (kg/m)	1.012		4.00	6.30	0.80		
					Projection	3rd Agl.		6.30	10.00	1.00		
					Revision	Date of Issue	Sheet Scale	Sheet Size	Sheet	10.00	16.00	1.30
A	21/01/2022	1:1	A3	1/1	16.00	25.00	1.60					
					25.00	40.00	2.00					
					40.00	63.00	2.50					
					63.00	100.00	3.20					
					100.00		3.20%					



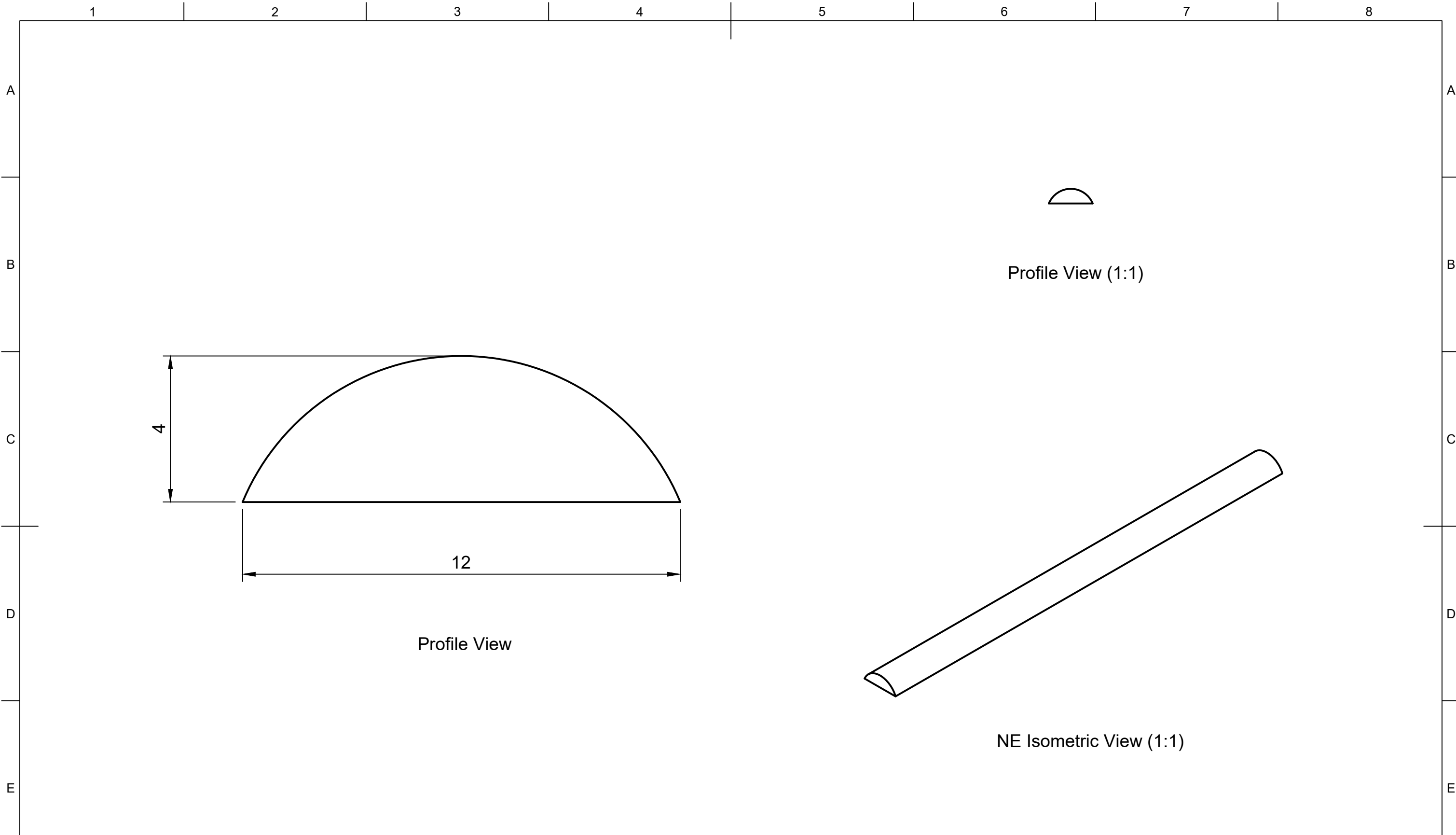
	Part Number				Created By		Cross Sectional Area (mm²)		Nominal Dimension (mm)		Tolerance, ± (mm)		
	209400				David Stirling		530		Greater Than	Less Than or Equal to			
	Description				Date Drawn		Material		0.00	1.50	0.40		
					04/05/2020		EPDM		1.50	2.50	0.50		
	D Section - D Centre (Half Moon)				Approved By		Hardness (Shore A)		2.50	4.00	0.70		
					Date of Approval		70		Colour		4.00	6.30	0.80
									Black		6.30	10.00	1.00
											10.00	16.00	1.30
	Revision	Date of Issue	Sheet Scale	Sheet Size	Sheet	Projection	Weight (g/m)		16.00	25.00	1.60		
	A	21/01/2022	1:1	A3	1/1	3rd Agl.	670		25.00	40.00	2.00		
								40.00	63.00	2.50			
								63.00	100.00	3.20			
								100.00		3.20%			


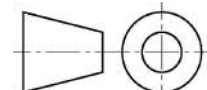


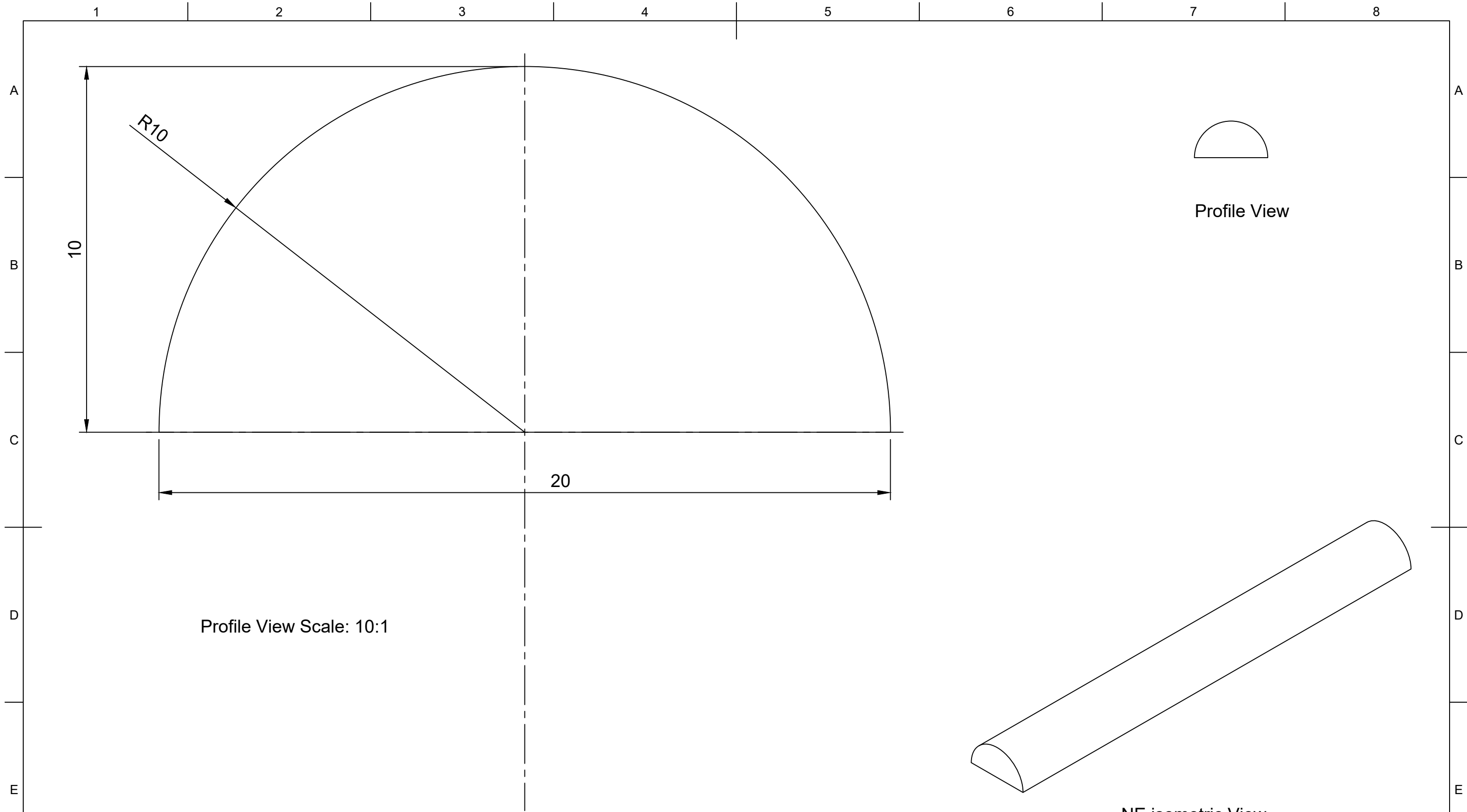
	Part Number				Created By		Cross Sectional Area (mm ²)		Nominal Dimension (mm)		Tolerance, ± (mm)
	209990				David Stirling		1741		Greater Than	Less Than or Equal to	
	Description				Date Drawn		Material		0.00		0.40
	D Section - D Centre (Half Moon)				07/05/2020		EPDM		1.50		0.50
	Revision				Approved By		Hardness (Shore A)		2.50		0.70
	Date of Issue				Date of Approval		70		4.00		0.80
	Sheet Scale				Projection		Colour		6.30		1.00
	Sheet Size				3rd Agl. 		Black		10.00		1.30
	Sheet				Weight (kg/m)		2.194		16.00		1.60
	A				21/01/2022		25.00		40.00		2.00
1:1				A3		40.00		63.00		2.50	
A3				1/1		63.00		100.00		3.20	
1/1						100.00				3.20%	



Part Number 200910					Created By David Stirling		Cross Sectional Area (mm ²) 128		Nominal Dimension (mm)		Tolerance, ± (mm)
					Date Drawn 02/05/2020		Material EPDM		Greater Than	Less Than or Equal to	
Description D Section (Half Moon) - Solid					Approved By		Hardness (Shore A) 70		0.00	1.50	0.40
					Date of Approval		Colour Black		1.50	2.50	0.50
Revision A	Date of Issue 20/01/2022	Sheet Scale 1:1	Sheet Size A3	Sheet 1/1	Projection 3rd Agl.	Weight (g/m) 162		2.50	4.00	2.00	
								63.00	100.00	3.20	
								100.00		3.20%	


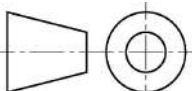


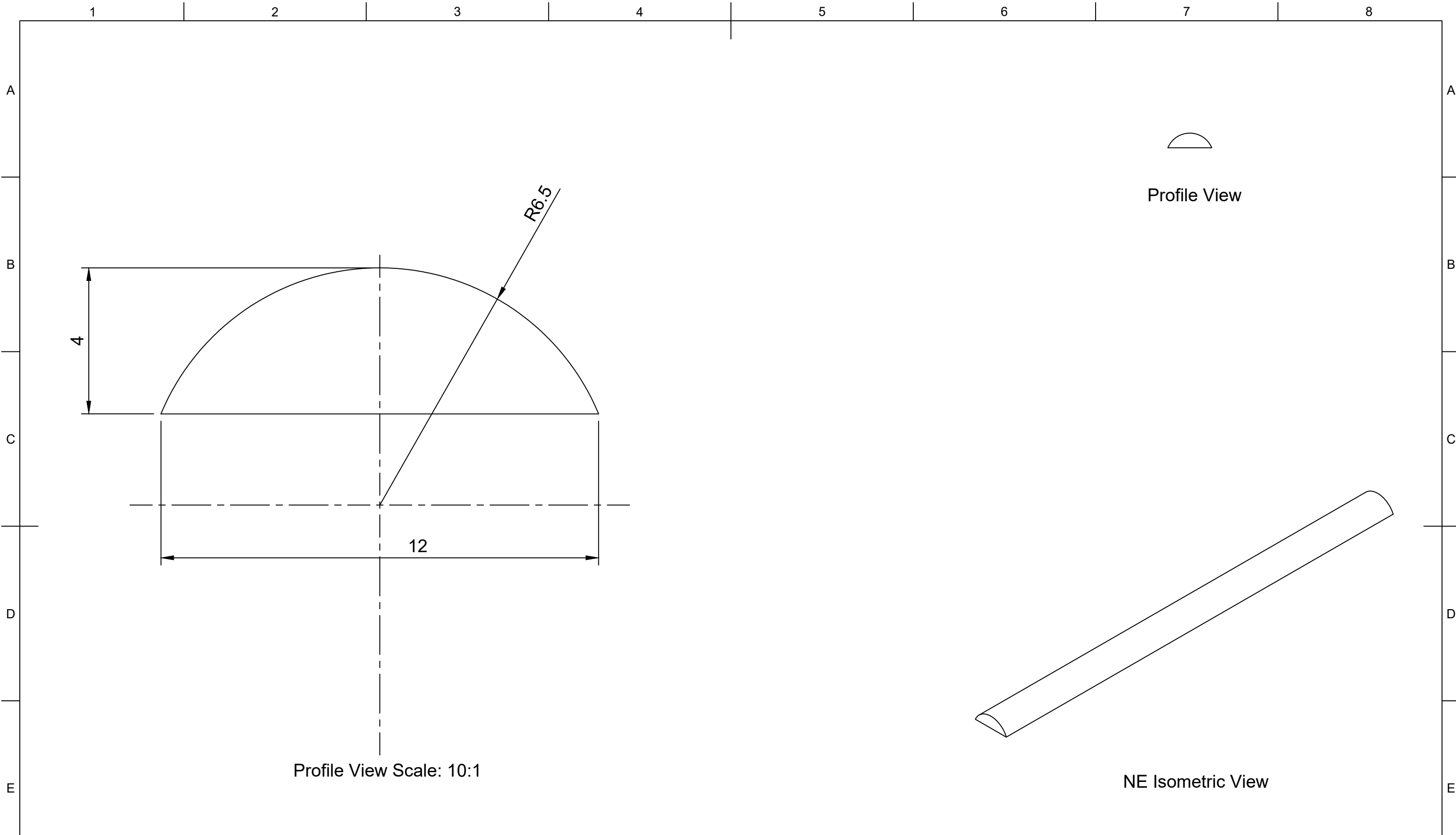
	Part Number				Created By		Cross Sectional Area (mm²)		Nominal Dimension (mm)		Tolerance, ± (mm)
	202186				David Stirling		35		Greater Than	Less Than or Equal to	
					Date Drawn		Material		0.00	1.50	0.40
					20/01/2022		Neoprene		1.50	2.50	0.50
	Description				Approved By		Hardness (Shore A)		2.50	4.00	0.70
	D Section (Half Moon) - Solid						70		4.00	6.30	0.80
					Date of Approval		Colour		6.30	10.00	1.00
							Black		10.00	16.00	1.30
							Weight (g/m)		16.00	25.00	1.60
							53		25.00	40.00	2.00
Revision	Date of Issue	Sheet Scale	Sheet Size	Sheet	Projection			40.00	63.00	2.50	
A	20/01/2022	10:1	A3	1/1	3rd Agl.			63.00	100.00	3.20	
								100.00		3.20%	



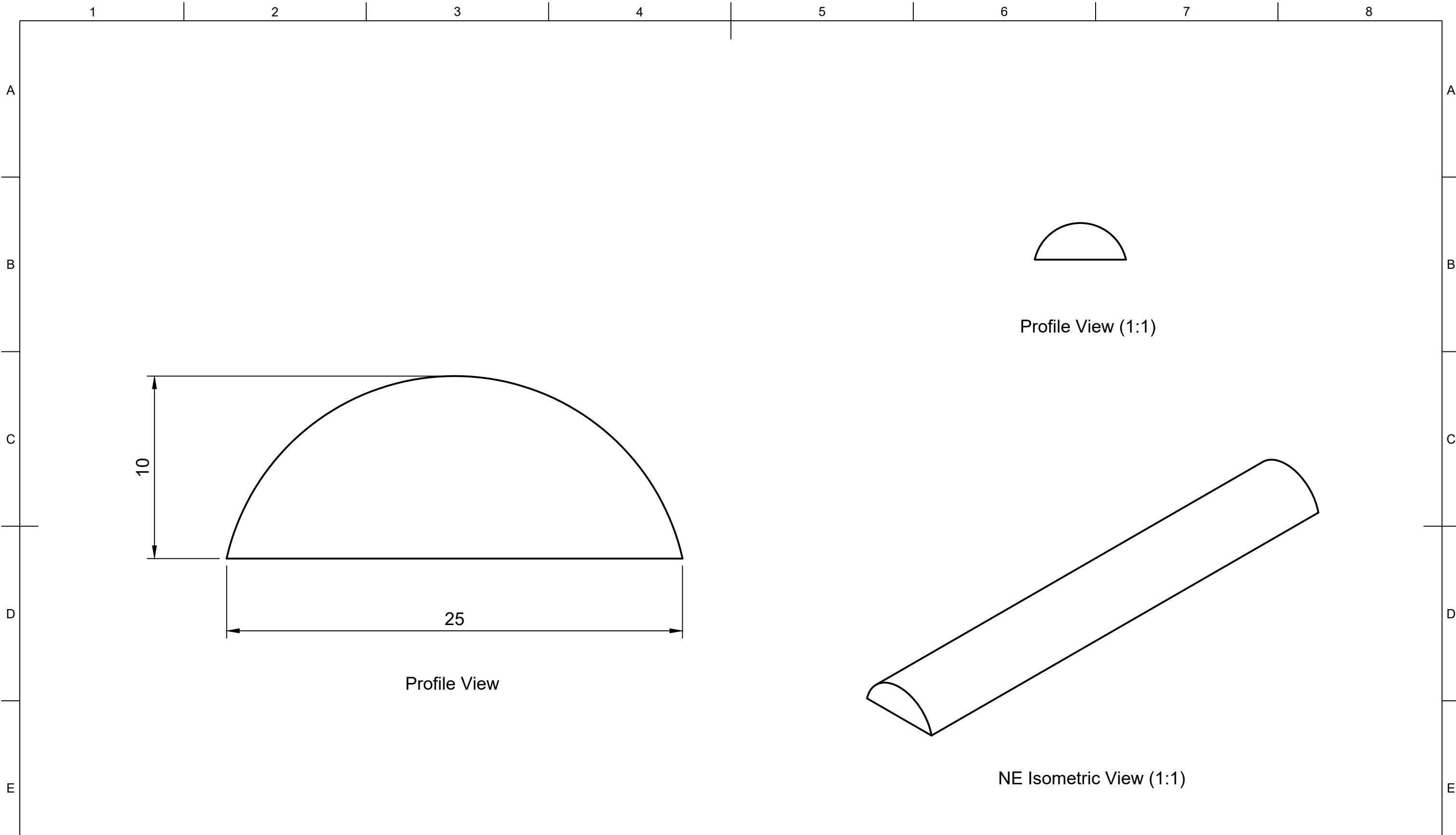
Profile View Scale: 10:1


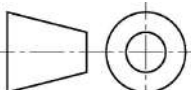
NE isometric View

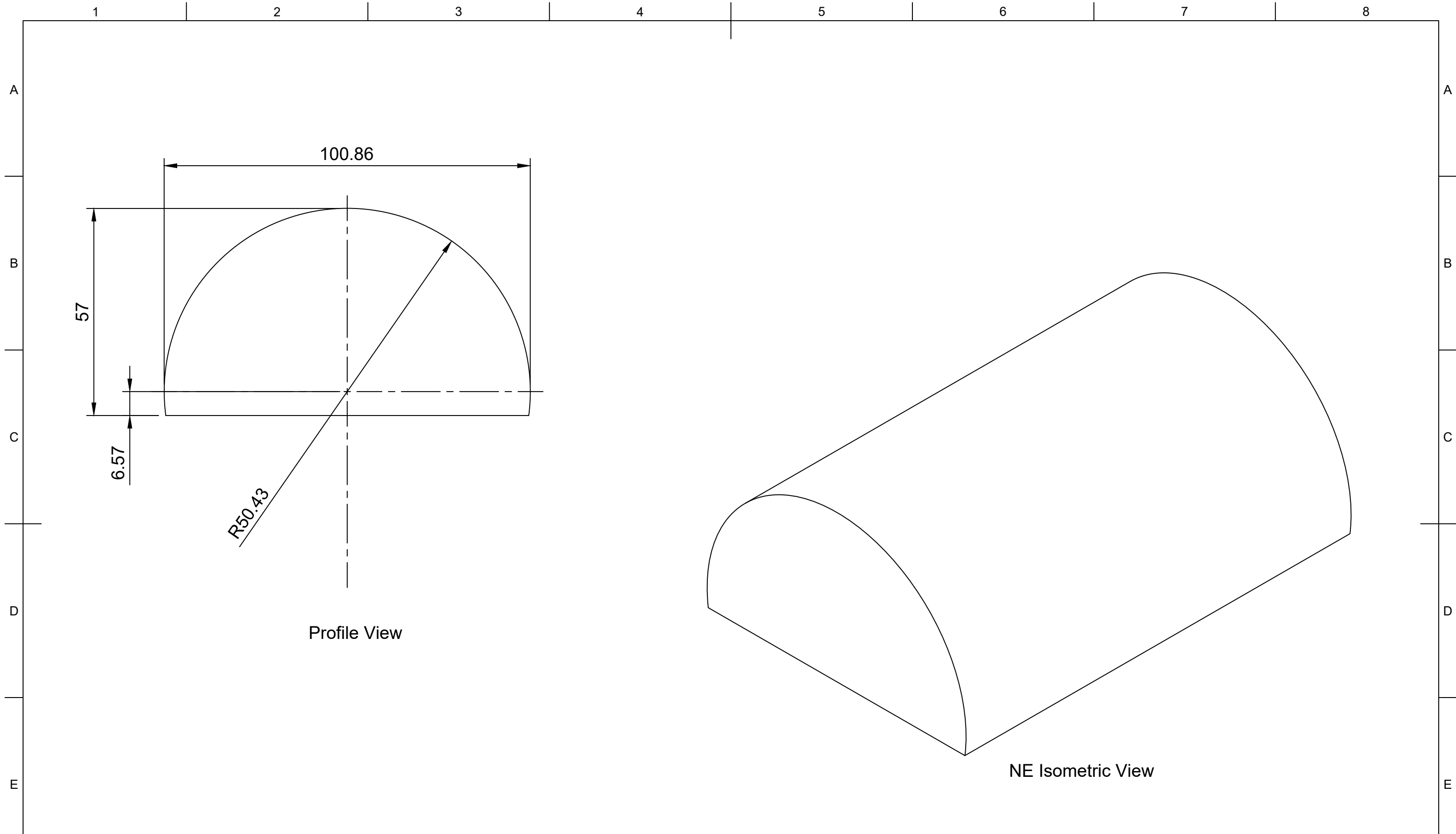
	Part Number				Created By		Cross Sectional Area (mm²)		Nominal Dimension (mm)		Tolerance, ± (mm)
	202491				David Stirling		157		Greater Than	Less Than or Equal to	
	Description				Date Drawn		Material		0.00	1.50	0.40
	D Section (Half Moon) - Solid				02/05/2020		EPDM		1.50	2.50	0.50
	Revision				Approved By		Hardness (Shore A)		2.50	4.00	0.70
	A	Date of Issue		Sheet Scale	Sheet Size	Sheet	Date of Approval		4.00	6.30	0.80
		20/01/2022		1:1	A3	1/1	Projection		6.30	10.00	1.00
							3rd Ang. 		10.00	16.00	1.30
							Weight (g/m)		16.00	25.00	1.60
							200		25.00	40.00	2.00
								40.00	63.00	2.50	
								63.00	100.00	3.20	
								100.00		3.20%	


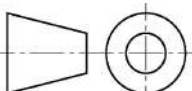


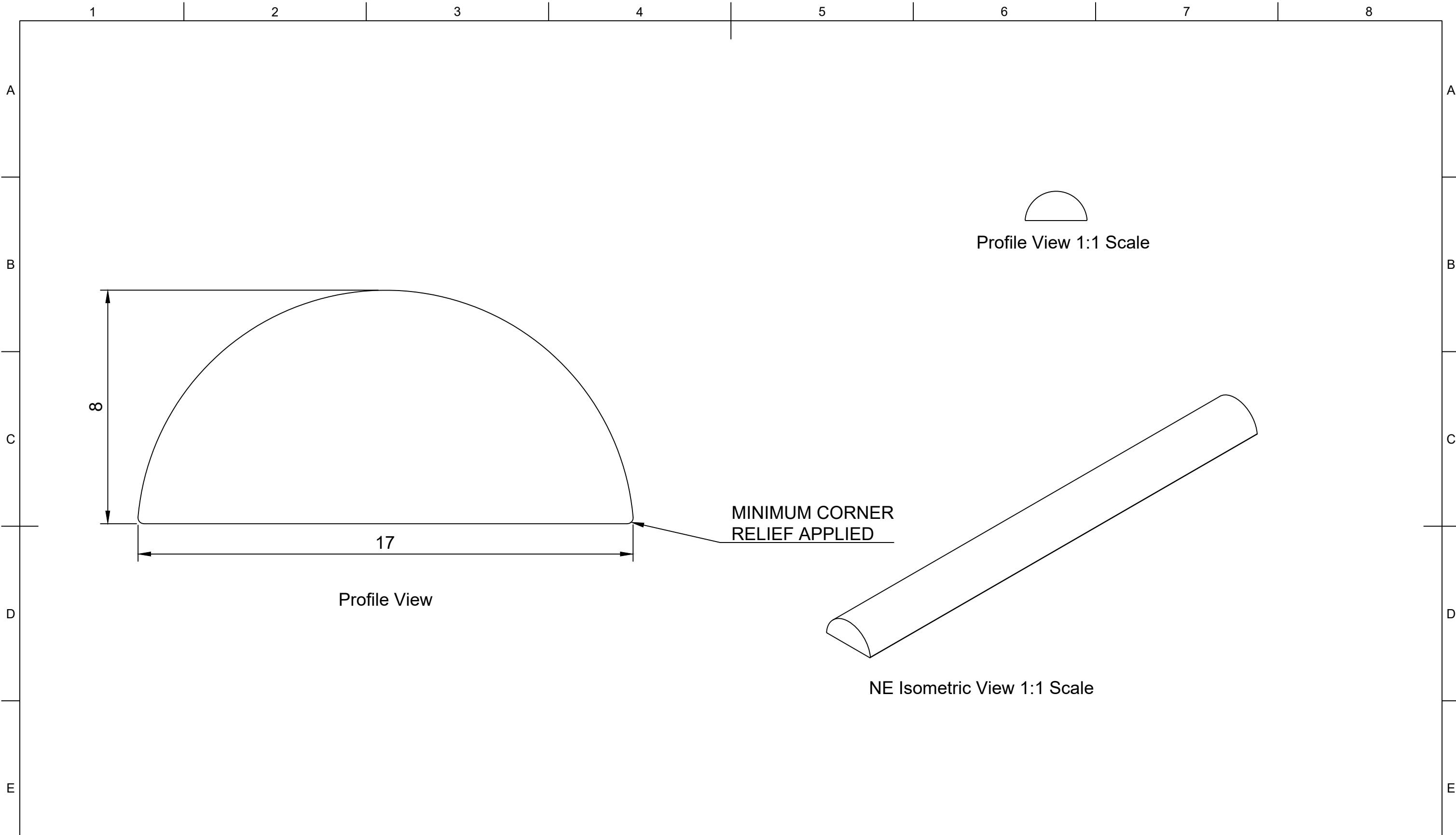
	Part Number				Created By		Cross Sectional Area (mm²)		Nominal Dimension (mm)		Tolerance, ± (mm)	
	202657				David Stirling		35		Greater Than	Less Than or Equal to		
	Description				Date Drawn		Material		0.00	1.50	0.40	
	D Section (Half Moon) - Solid				30/04/2020		EPDM		1.50	2.50	0.50	
	Revision				Approved By		Hardness (Shore A)		2.50	4.00	0.70	
	A	20/01/2022		1:1		Date of Approval		70		4.00	6.30	0.80
	Date of Issue		Sheet Scale		Sheet Size		Colour		6.30	10.00	1.00	
	20/01/2022		1:1		A3		Black		10.00	16.00	1.30	
	Sheet		Projection		Weight (g/m)		53		16.00	25.00	1.60	
	1/1		3rd Agl.		53		25.00		40.00	40.00	2.00	
								40.00	63.00	2.50		
								63.00	100.00	3.20		
								100.00		3.20%		


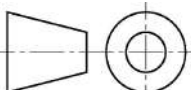


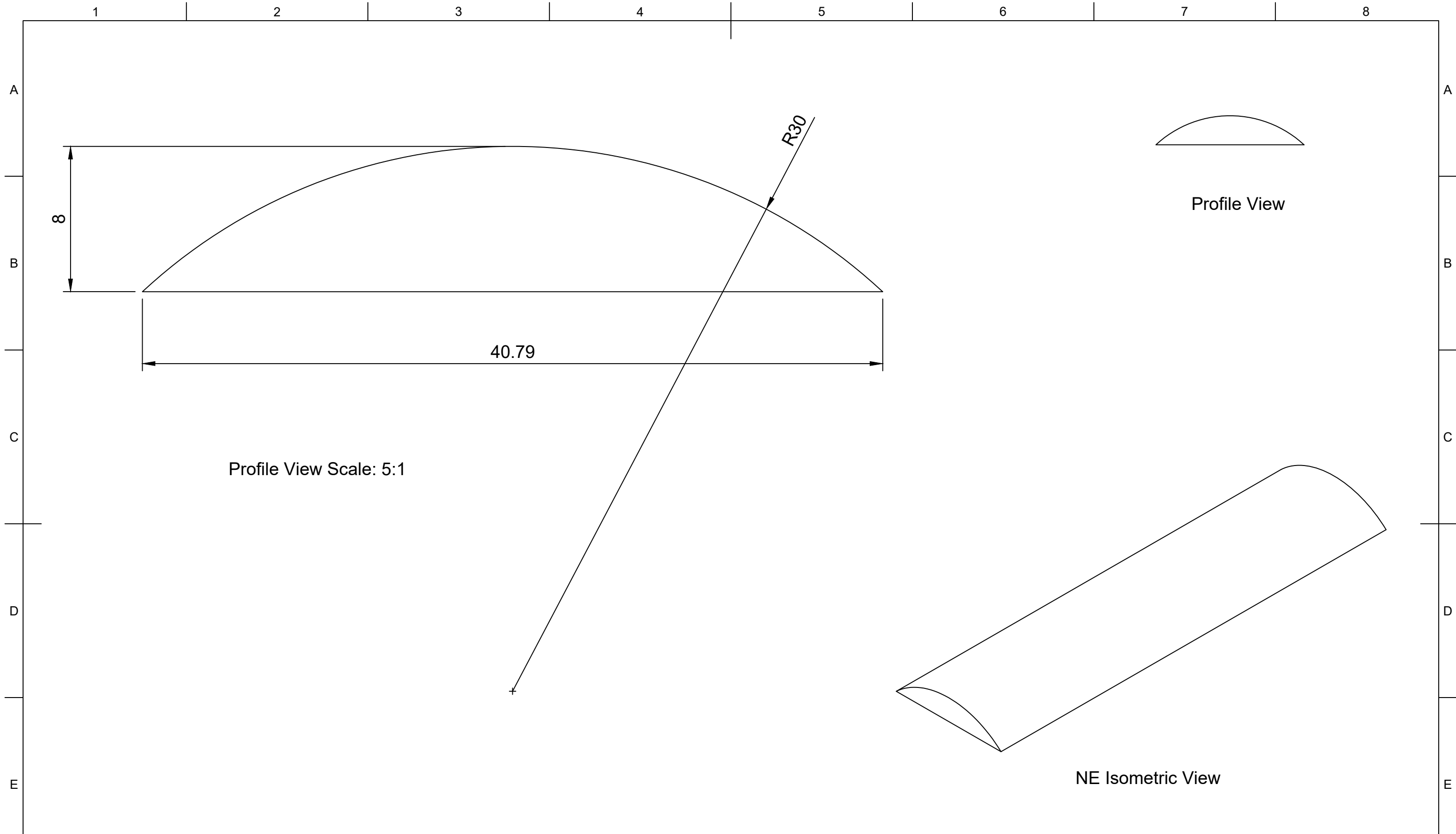
	Part Number				Created By		Cross Sectional Area (mm²)		Nominal Dimension (mm)		Tolerance, ± (mm)	
	203267				David Stirling		186		Greater Than	Less Than or Equal to		
	Description				Date Drawn		Material		0.00	1.50	0.40	
	D Section (Half Moon) - Solid				20/01/2022		Nitrile		1.50	2.50	0.50	
	Revision				Approved By		Hardness (Shore A)		2.50	4.00	0.70	
	A	20/01/2022		5:1		Date of Approval		70		4.00	6.30	0.80
	Date of Issue		Sheet Scale		Sheet Size		Colour		6.30	10.00	1.00	
	20/01/2022		5:1		A3		Black		10.00	16.00	1.30	
	Sheet		Projection		Weight (g/m)		226		16.00	25.00	1.60	
	1/1		3rd Agl. 						25.00	40.00	2.00	
								40.00	63.00	2.50		
								63.00	100.00	3.20		
								100.00		3.20%		



	Part Number				Created By		Cross Sectional Area (mm²)		Nominal Dimension (mm)		Tolerance, ± (mm)
	203379				David Stirling		56		Greater Than	Less Than or Equal to	
	Description				Date Drawn		Material		0.00		0.40
					29/04/2020		EPDM		1.50		0.50
	D Section (Half Moon) - Solid				Approved By		Hardness (Shore A)		2.50		0.70
					Date of Approval		70		4.00		0.80
									6.30		1.00
									10.00		1.30
	Revision				Weight (g/m)		16.00		1.60		
					A		71		25.00		2.00
Date of Issue		Sheet Scale		Sheet Size		Sheet		40.00		2.50	
19/01/2022		1:1		A3		1/1		63.00		3.20	
Projection		3rd Agl.				100.00		3.20%			


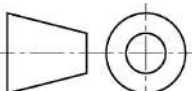


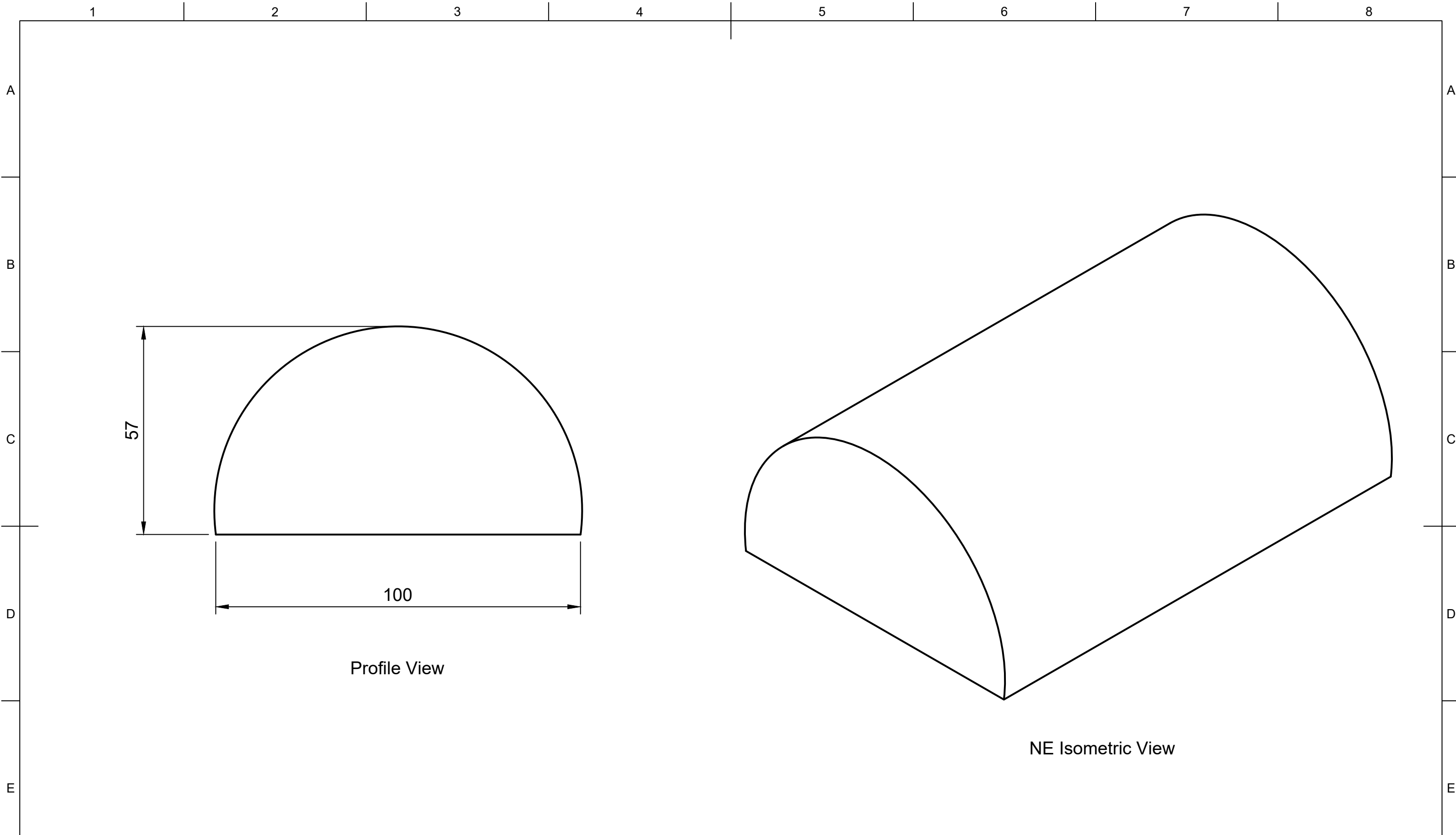
	Part Number				Created By		Cross Sectional Area (mm ²)		Nominal Dimension (mm)		Tolerance, ± (mm)
	203558				David Stirling		105		Greater Than	Less Than or Equal to	
	Description				Date Drawn		Material		0.00		0.40
	D Section (Half Moon) - Solid				06/08/2020		EPDM		1.50		0.50
	Revision				Approved By		Hardness (Shore A)		2.50		0.70
	A				Date of Approval		70		4.00		0.80
	Date of Issue				Date of Approval		Colour		6.30		1.00
	20/01/2022				3rd Agl.		Black		10.00		1.30
	Sheet Scale				Projection		Weight (g/m)		16.00		1.60
	8:1				3rd Agl. 		132		25.00		2.00
Sheet Size								40.00		2.50	
A3								63.00		3.20	
Sheet								100.00		3.20%	
1/1											



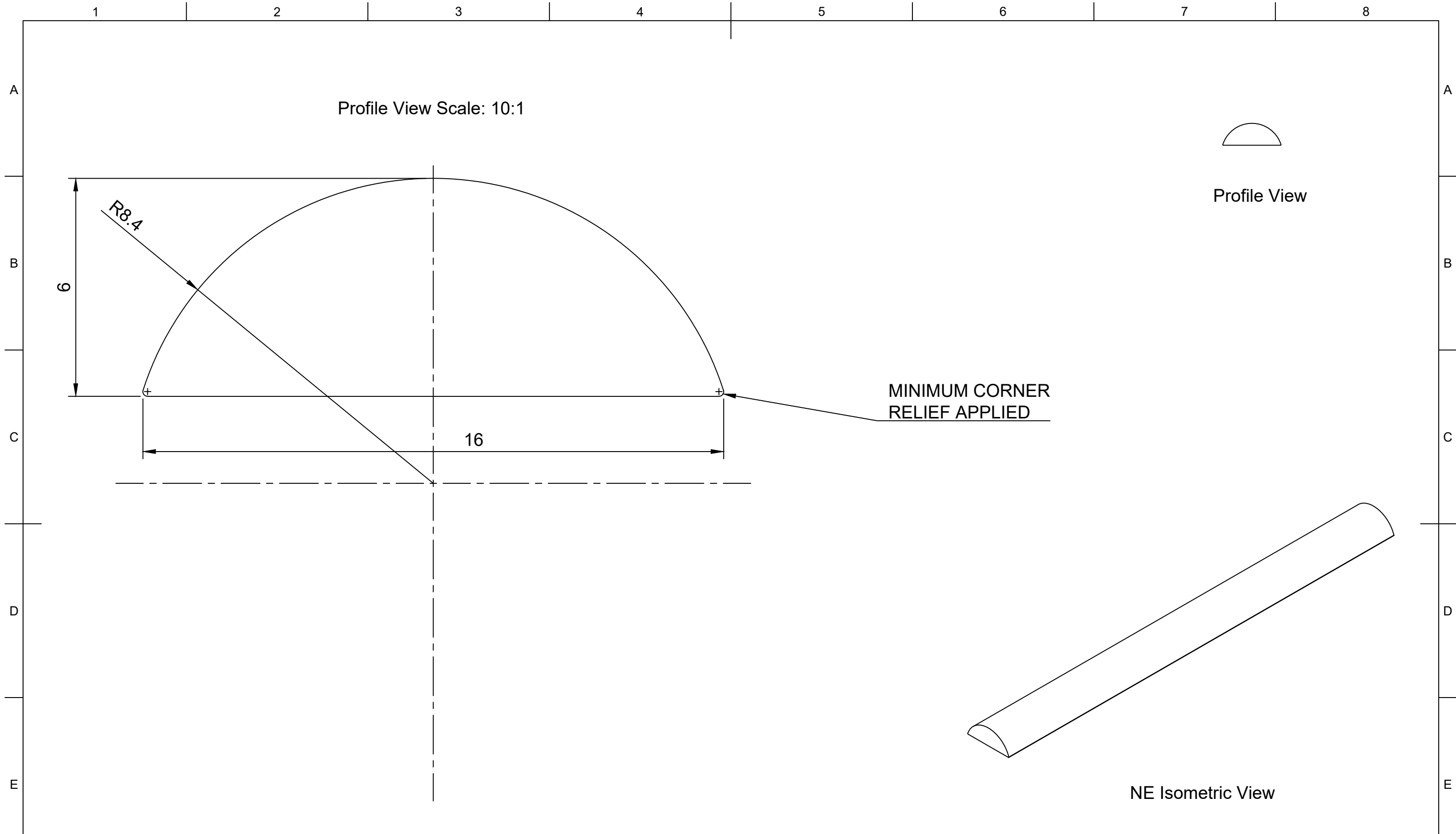
Profile View Scale: 5:1


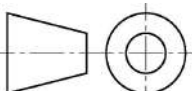
NE Isometric View

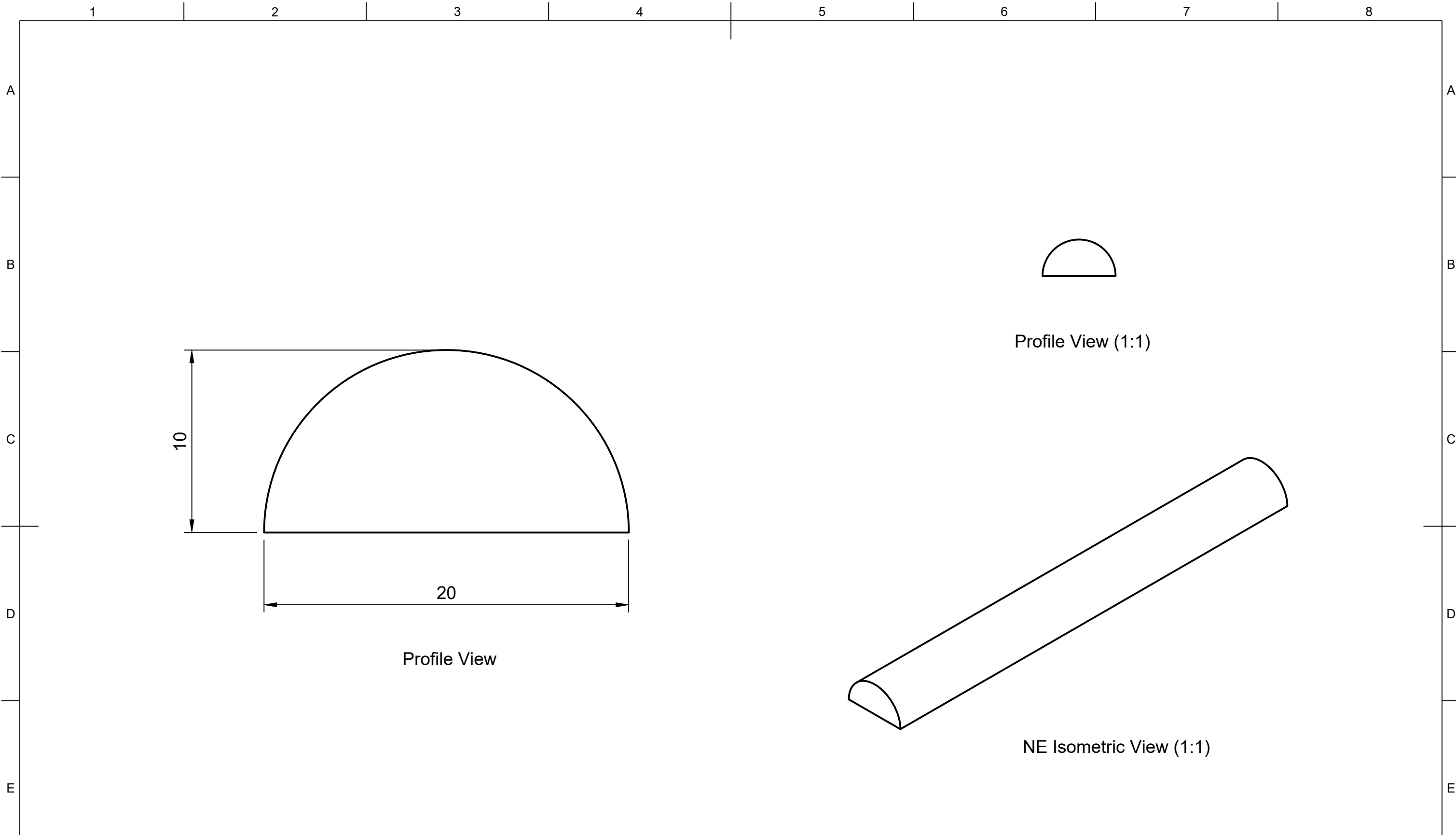
	Part Number				Created By		Cross Sectional Area (mm²)		Nominal Dimension (mm)		Tolerance, ± (mm)	
	203863				David Stirling		224		Greater Than	Less Than or Equal to		
	Description				Date Drawn		Material		0.00		0.40	
	D Section (Half Moon) - Solid				04/05/2020		EPDM		1.50		0.50	
	Revision				Approved By		Hardness (Shore A)		2.50		0.70	
	A	Date of Issue		Sheet Scale		Sheet Size		Sheet		4.00		0.80
		21/01/2022		1:1		A3		1/1		6.30		1.00
	Projection				Date of Approval		Colour		10.00		1.30	
	3rd Angl. 						Black		16.00		1.60	
							Weight (g/m)		25.00		2.00	
						282		40.00		2.50		
								63.00		3.20		
								100.00		3.20%		


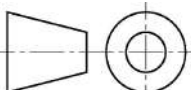


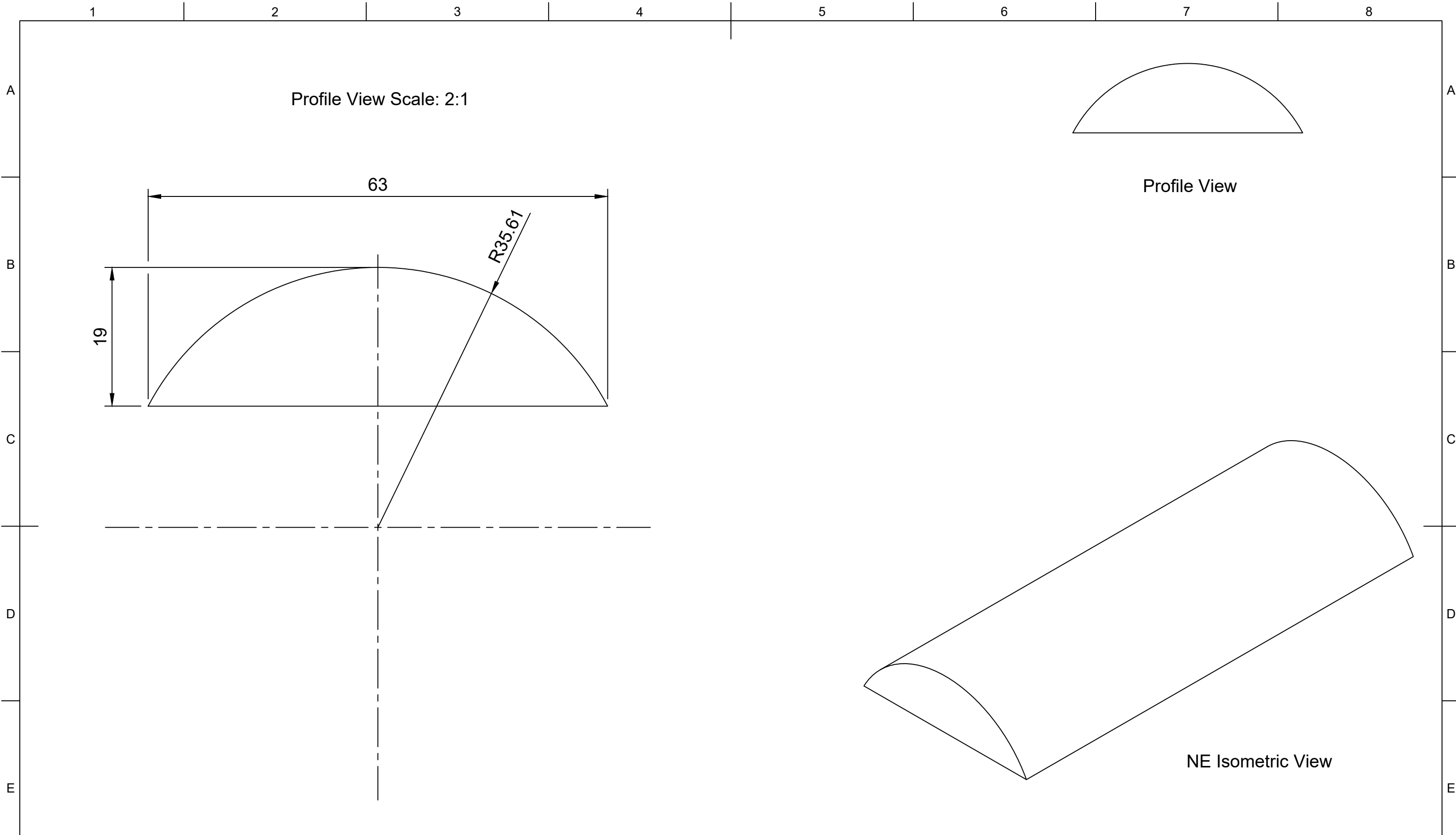
	Part Number				Created By		Cross Sectional Area (mm²)		Nominal Dimension (mm)		Tolerance, ± (mm)			
	203924				David Stirling		56		Greater Than	Less Than or Equal to				
	Description				Date Drawn		Material		0.00	1.50	0.40			
	D Section (Half Moon) - Solid				19/01/2022		Neoprene		1.50	2.50	0.50			
	Revision				Approved By		Hardness (Shore A)		2.50	4.00	0.70			
	A	Date of Issue		Sheet Scale		Sheet Size		Sheet		Projection		4.00	6.30	0.80
		19/01/2022		1:1		A3		1/1		3rd Agl.		6.30	10.00	1.00
										Weight (g/m)		10.00	16.00	1.30
										85		16.00	25.00	1.60
												25.00	40.00	2.00
											40.00	63.00	2.50	
											63.00	100.00	3.20	
											100.00		3.20%	


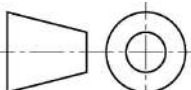


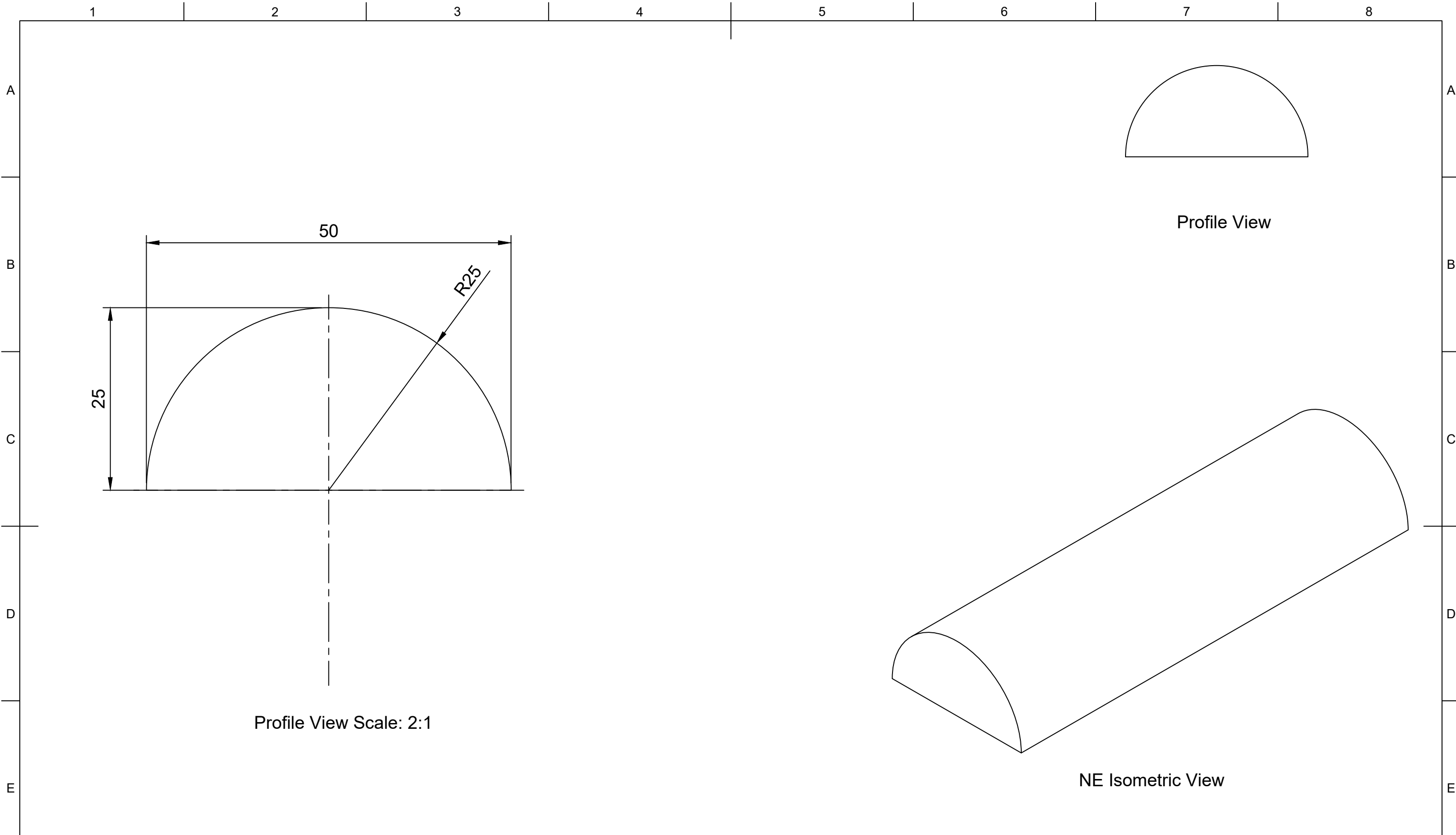
	Part Number				Created By		Cross Sectional Area (mm²)		Nominal Dimension (mm)		Tolerance, ± (mm)
	205293				David Stirling		71		Greater Than	Less Than or Equal to	
					Date Drawn		Material		0.00	1.50	0.40
					01/05/2020		EPDM		1.50	2.50	0.50
	Description				Approved By		Hardness (Shore A)		2.50	4.00	0.70
	D Section (Half Moon) - Solid						70		4.00	6.30	0.80
					Date of Approval		Colour		6.30	10.00	1.00
							Black		10.00	16.00	1.30
					Projection		Weight (g/m)		16.00	25.00	1.60
					3rd Agl. 		89		25.00	40.00	2.00
Revision	Date of Issue	Sheet Scale	Sheet Size	Sheet					40.00	63.00	2.50
A	20/01/2022	1:1	A3	1/1					63.00	100.00	3.20
								100.00		3.20%	


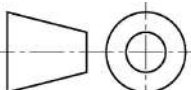


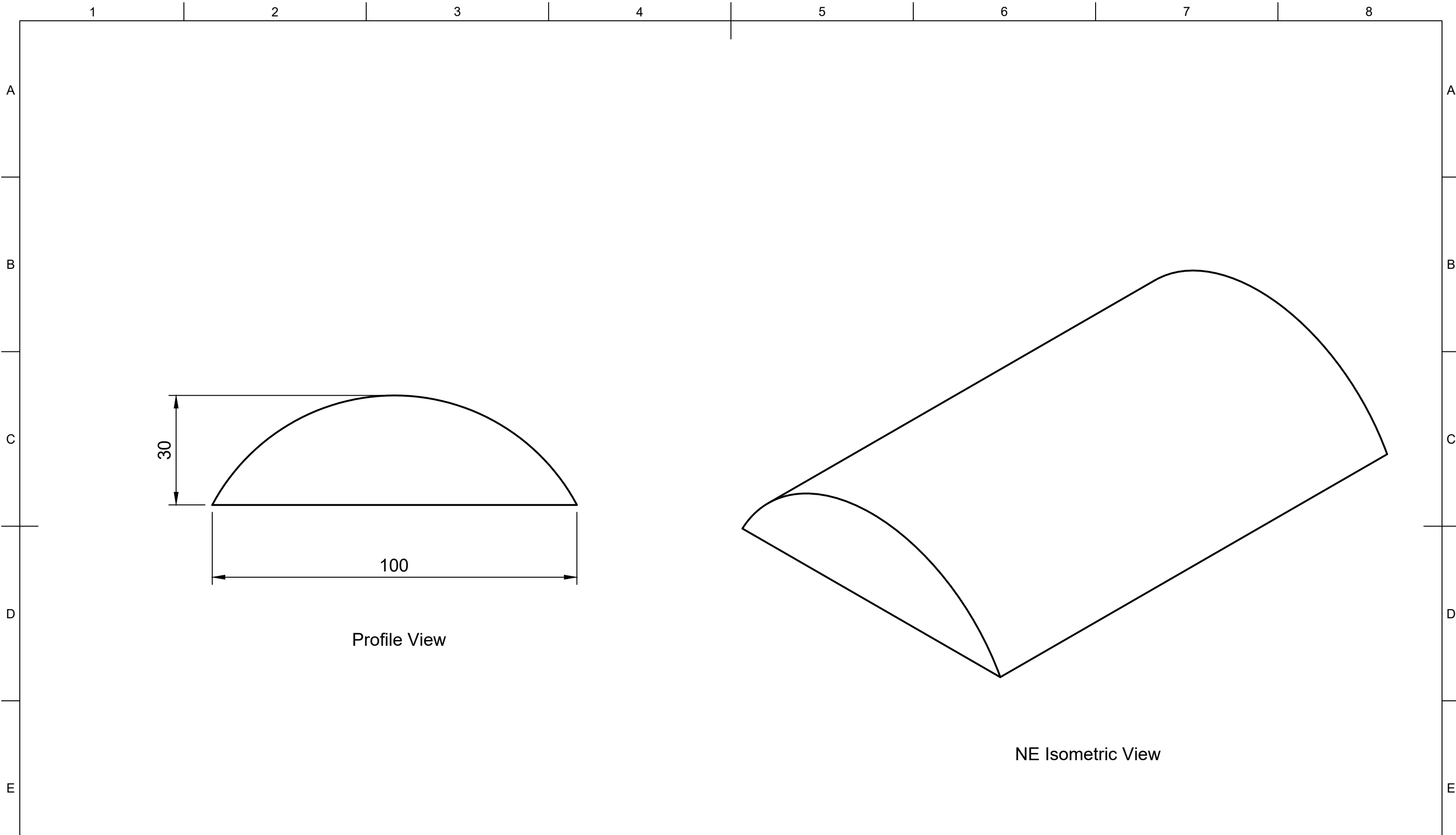
	Part Number				Created By		Cross Sectional Area (mm²)		Nominal Dimension (mm)		Tolerance, ± (mm)	
	205614				David Stirling		157		Greater Than	Less Than or Equal to		
	Description				Date Drawn		Material		0.00	1.50	0.40	
	D Section (Half Moon) - Solid				20/01/2022		Neoprene		1.50	2.50	0.50	
	Revision				Approved By		Hardness (Shore A)		2.50	4.00	0.70	
	A	20/01/2022		5:1		Date of Approval		70		4.00	6.30	0.80
	Date of Issue		Sheet Scale		Sheet Size		Colour		6.30	10.00	1.00	
	20/01/2022		5:1		A3		Black		10.00	16.00	1.30	
	Sheet		Projection		Weight (g/m)		200		16.00	25.00	1.60	
	1/1		3rd Agl. 						25.00	40.00	2.00	
								40.00	63.00	2.50		
								63.00	100.00	3.20		
								100.00		3.20%		



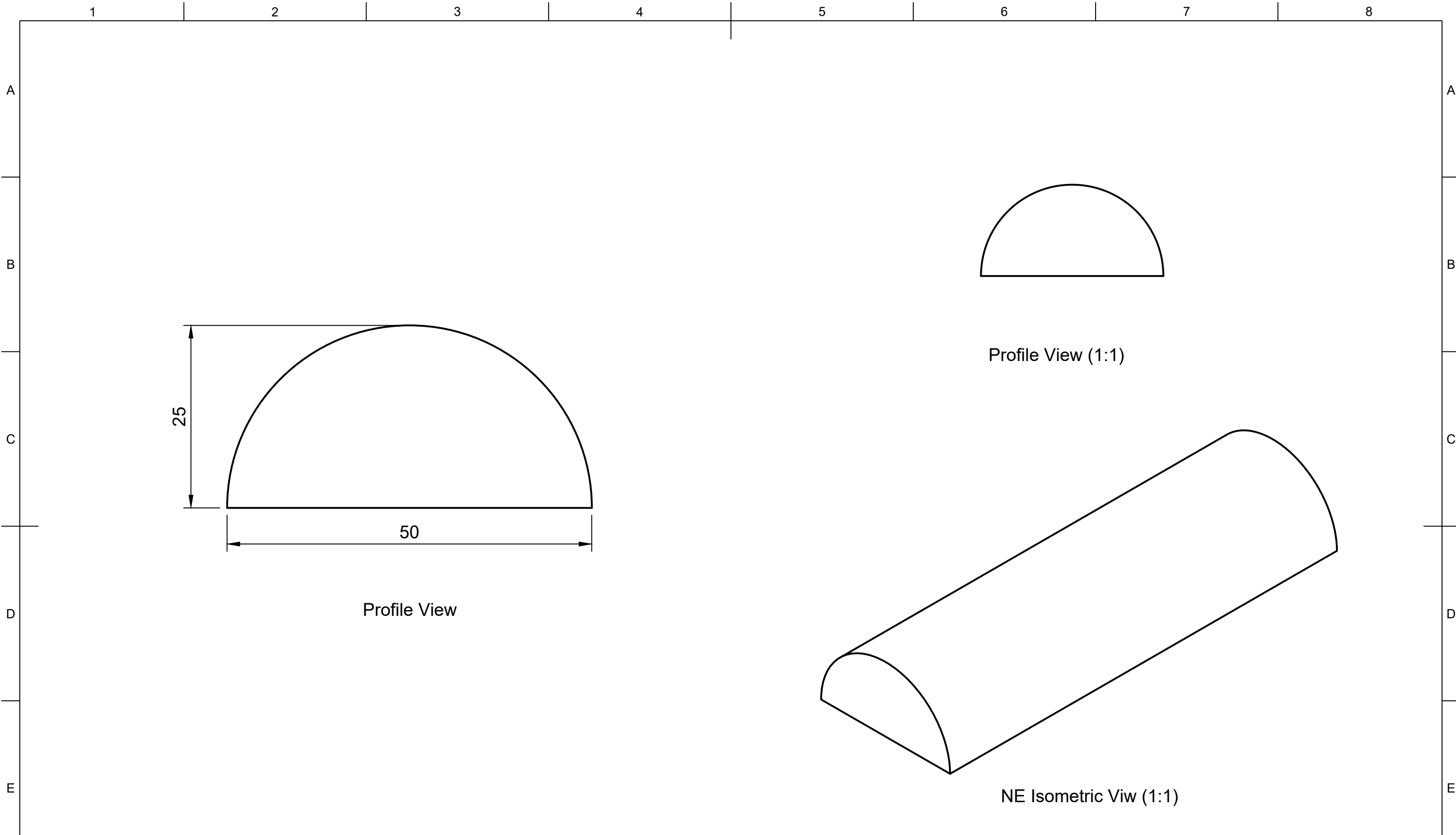
	Part Number				Created By		Cross Sectional Area (mm²)		Nominal Dimension (mm)		Tolerance, ± (mm)
	205729				David Stirling		853		Greater Than	Less Than or Equal to	
					Date Drawn		Material		0.00	1.50	0.40
					06/05/2020		EPDM		1.50	2.50	0.50
	Description				Approved By		Hardness (Shore A)		2.50	4.00	0.70
	D Section (Half Moon) - Solid						70		4.00	6.30	0.80
					Date of Approval		Colour		6.30	10.00	1.00
							Black		10.00	16.00	1.30
					Projection		Weight (kg/m)		16.00	25.00	1.60
	Revision	Date of Issue	Sheet Scale	Sheet Size	Sheet	3rd Agl. 	1.075		25.00	40.00	2.00
A	21/01/2022	1:1	A3	1/1				40.00	63.00	2.50	
								63.00	100.00	3.20	
								100.00		3.20%	




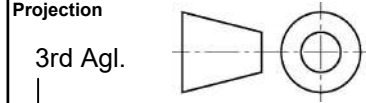
	Part Number				Created By		Cross Sectional Area (mm ²)		Nominal Dimension (mm)		Tolerance, ± (mm)
	206150				David Stirling		981		Greater Than	Less Than or Equal to	
	Description				Date Drawn		Material		0.00		0.40
	D Section (Half Moon) - Solid				05/05/2020		EPDM		1.50		0.50
	Revision				Approved By		Hardness (Shore A)		2.50		0.70
	Date of Issue				Date of Approval		70		4.00		0.80
	Sheet Scale				Projection		Colour		6.30		1.00
	Sheet Size				3rd Agl. 		Black		10.00		1.30
	Sheet				Weight (kg/m)		1.237		16.00		1.60
	A				21/01/2022		1.237		25.00		2.00
1:1				A3		1/1		40.00		2.50	
								63.00		3.20	
								100.00		3.20%	

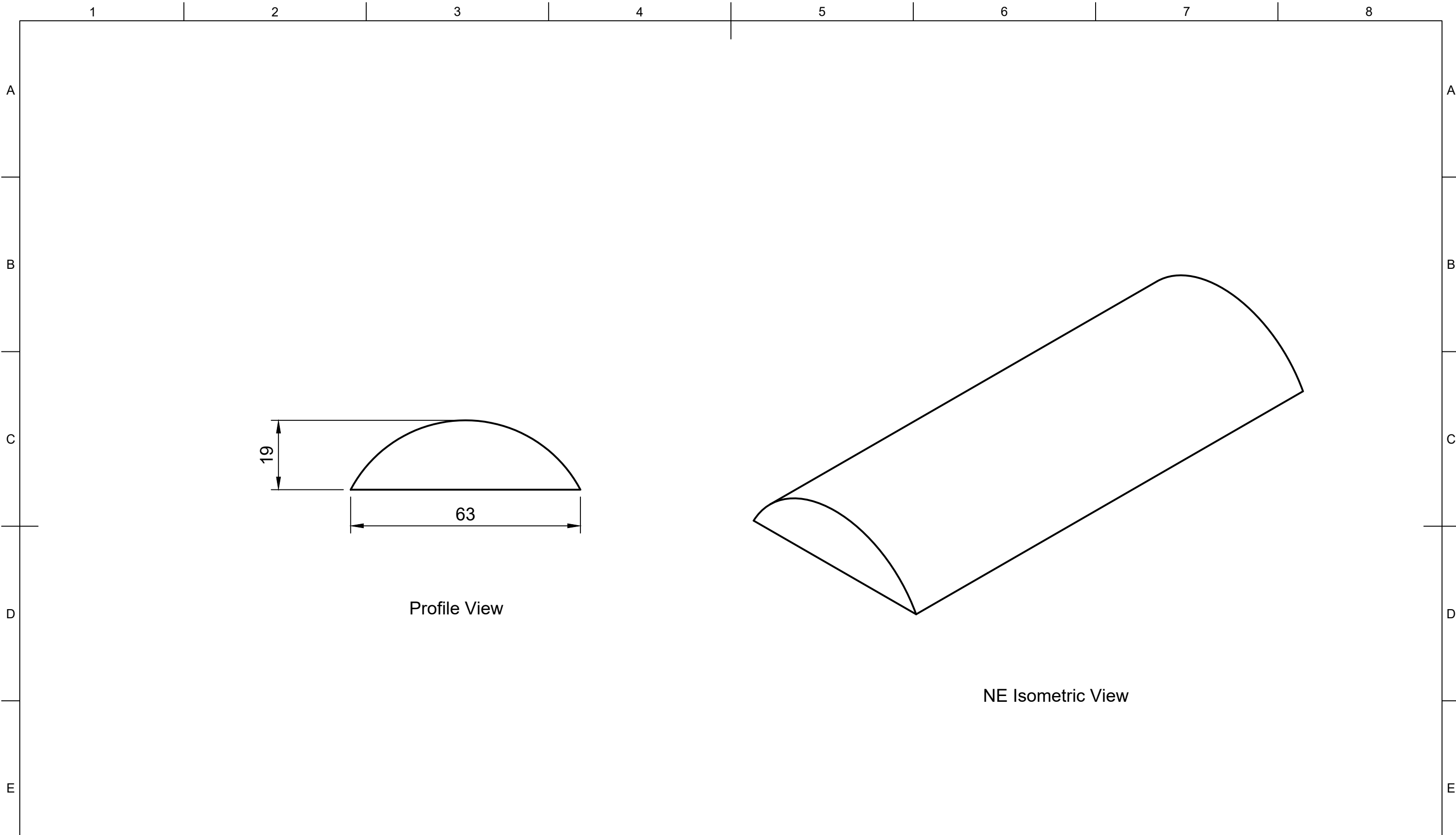


Part Number	206425				Created By	David Stirling	Cross Sectional Area (mm²)	2137		Nominal Dimension (mm)		Tolerance, ± (mm)
					Date Drawn	19/01/2022	Material	Neoprene	Greater Than	Less Than or Equal to		
Description	D Section (Half Moon) - Solid				Approved By		Hardness (Shore A)	70		0.00	1.50	0.40
					Date of Approval		Colour	Black	1.50	2.50	0.50	
Revision	Date of Issue	Sheet Scale	Sheet Size	Sheet	Projection		Weight (kg/m)	3.560		2.50	4.00	0.70
A	19/01/2022	1:1	A3	1/1	3rd Agl.		25.00	40.00	2.00			
							40.00	63.00	2.50			
							63.00	100.00	3.20			
							100.00		3.20%			




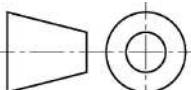
	Part Number				Created By		Cross Sectional Area (mm²)		Nominal Dimension (mm)		Tolerance, ± (mm)	
	207290				David Stirling		981		Greater Than	Less Than or Equal to		
	Description				Date Drawn		Material		0.00	1.50	0.40	
	D Section (Half Moon) - Solid				21/01/2022		Neoprene		1.50	2.50	0.50	
	Revision				Approved By		Hardness (Shore A)		2.50	4.00	0.70	
	A	21/01/2022		Sheet Scale		Date of Approval		70		4.00	6.30	0.80
		21/01/2022		2:1		Date of Approval		Black		6.30	10.00	1.00
		21/01/2022		A3		Date of Approval		Black		10.00	16.00	1.30
		21/01/2022		1/1		Date of Approval		Black		16.00	25.00	1.60
		21/01/2022		1/1		Date of Approval		Black		25.00	40.00	2.00
	21/01/2022		1/1		Date of Approval		Black		40.00	63.00	2.50	
	21/01/2022		1/1		Date of Approval		Black		63.00	100.00	3.20	
	21/01/2022		1/1		Date of Approval		Black		100.00	---	3.20%	

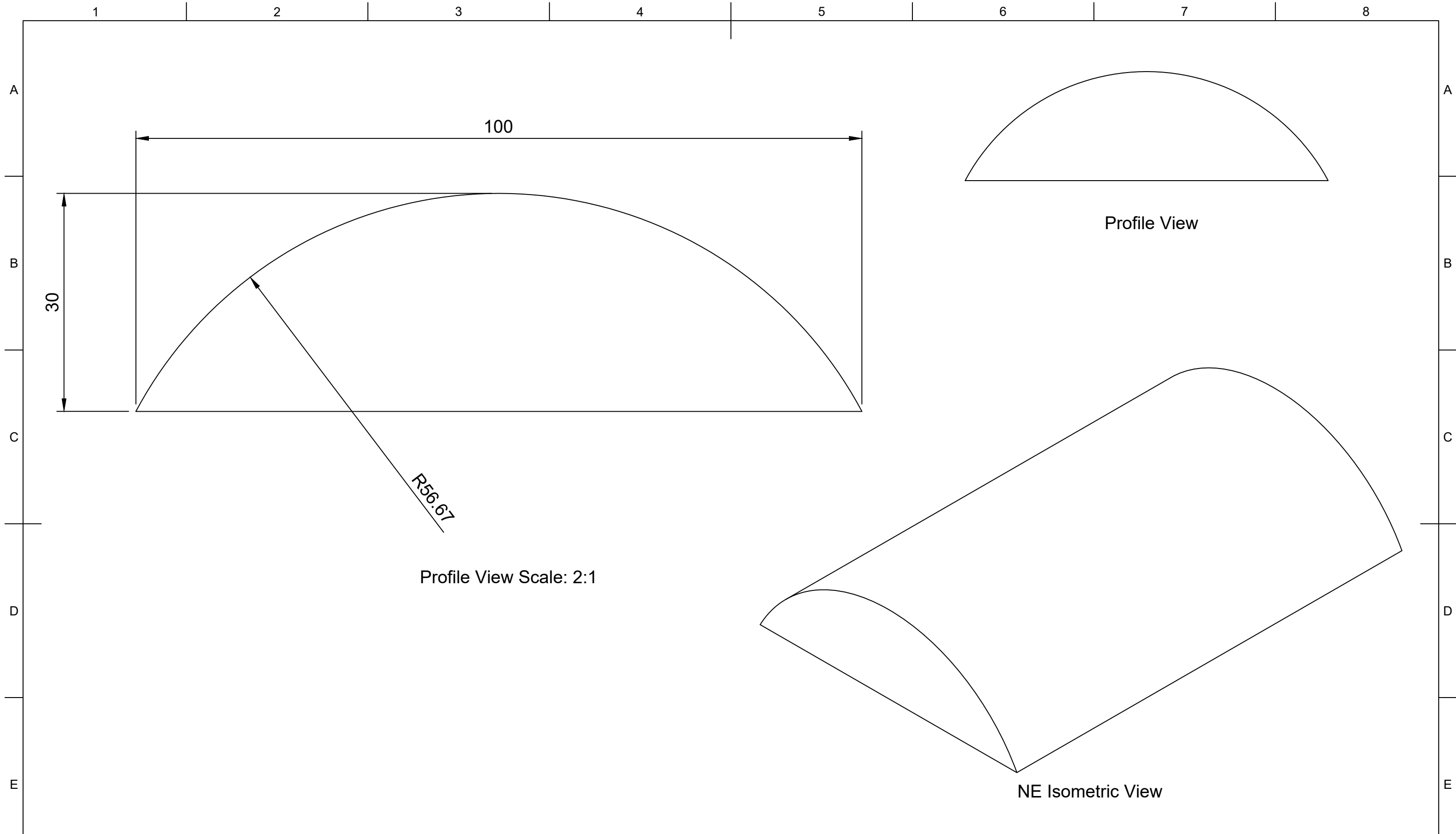



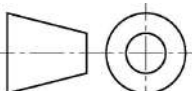


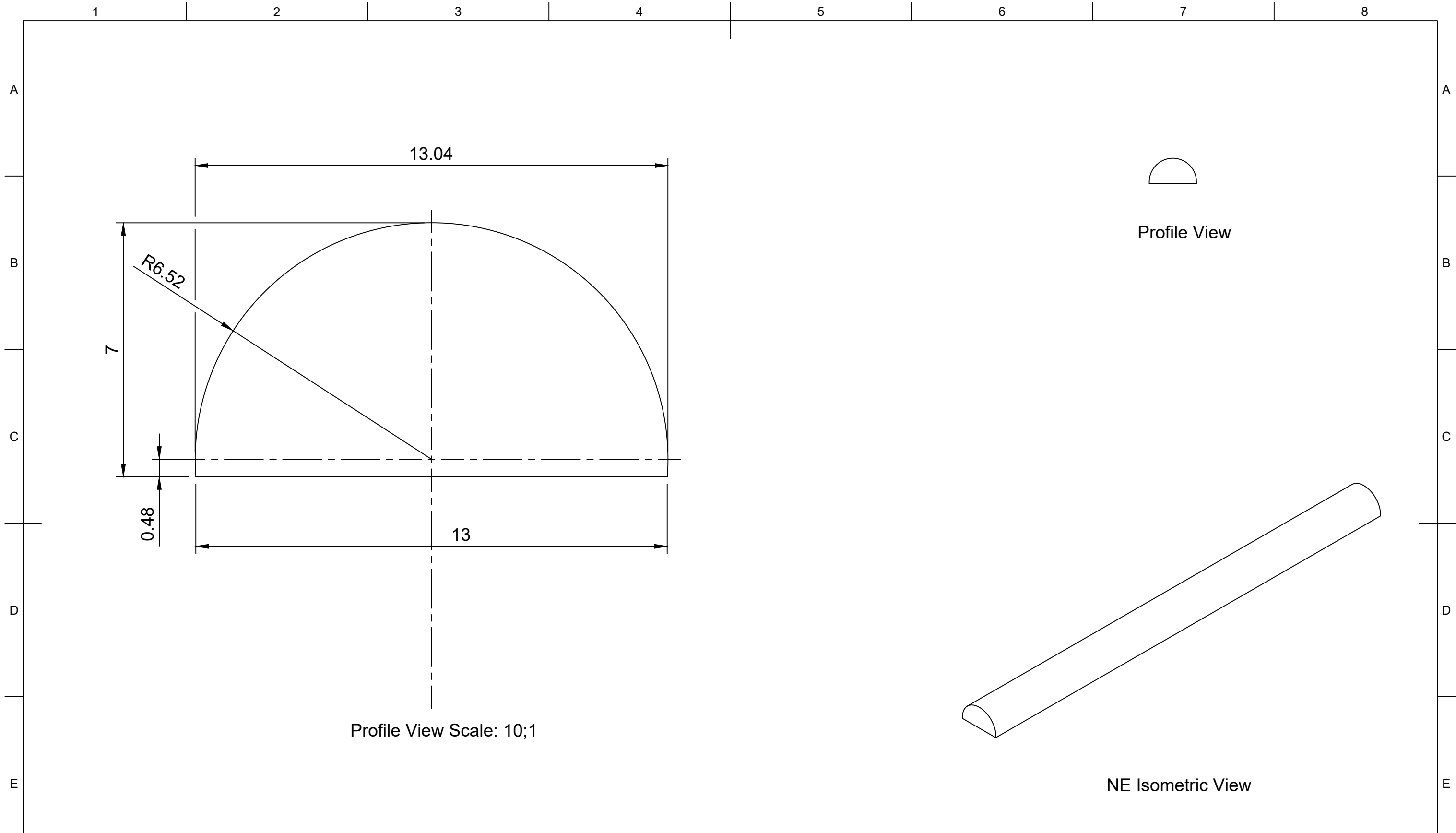
Profile View


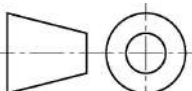
NE Isometric View

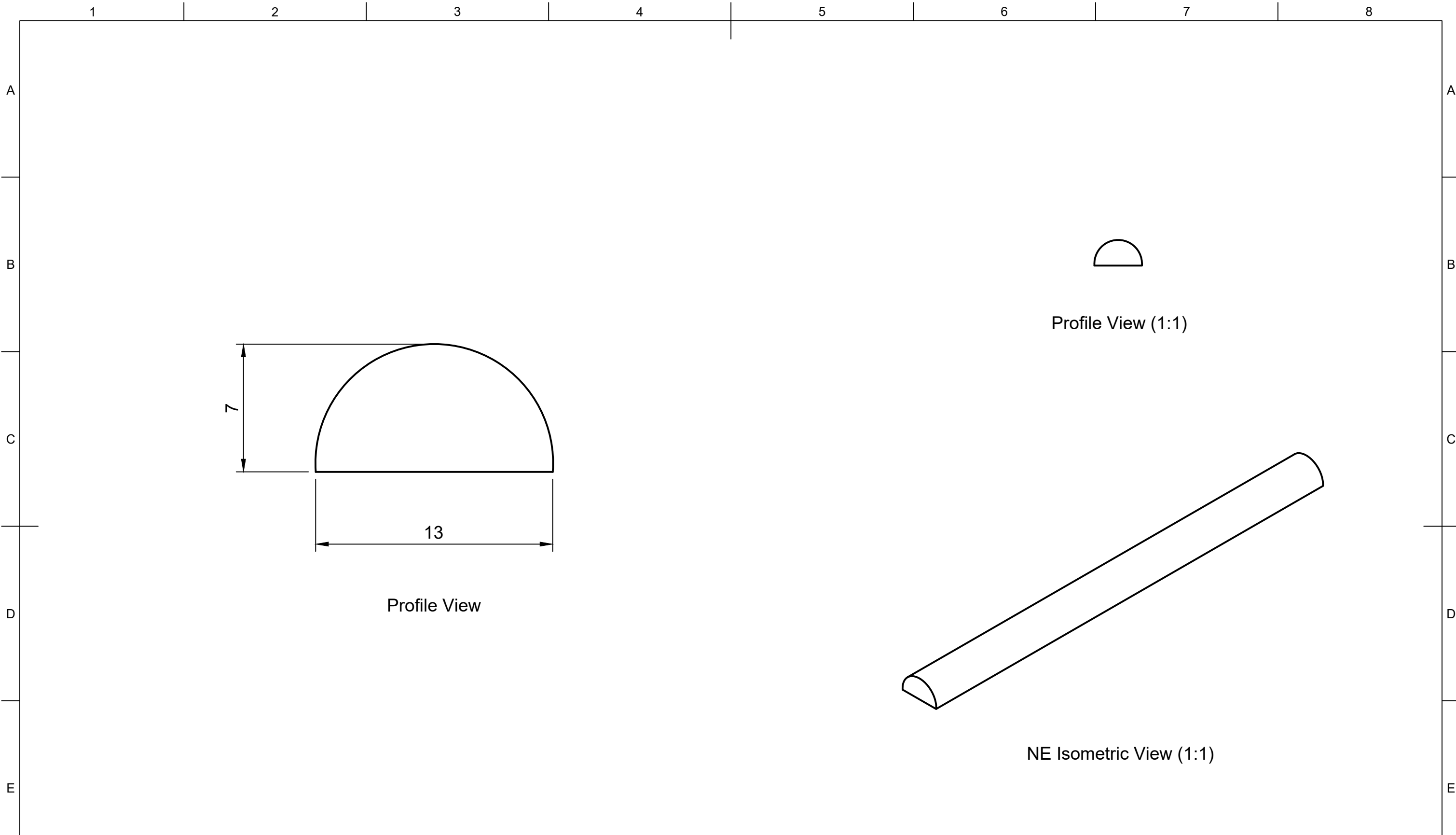
	Part Number				Created By		Cross Sectional Area (mm²)		Nominal Dimension (mm)		Tolerance, ± (mm)	
	207546				David Stirling		853		Greater Than	Less Than or Equal to		
	Description				Date Drawn		Material		0.00	1.50	0.40	
	D Section (Half Moon) - Solid				21/01/2022		Neoprene		1.50	2.50	0.50	
	Revision				Approved By		Hardness (Shore A)		2.50	4.00	0.70	
	A	21/01/2022		Sheet Scale		Date of Approval		70		4.00	6.30	0.80
		1:1		Sheet Size		Colour		Black		6.30	10.00	1.00
		A3		Sheet		Weight (kg/m)		1.297		10.00	16.00	1.30
		1/1		Projection		3rd Agl.				16.00	25.00	1.60
										25.00	40.00	2.00
									40.00	63.00	2.50	
									63.00	100.00	3.20	
									100.00		3.20%	


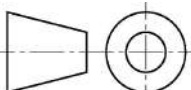


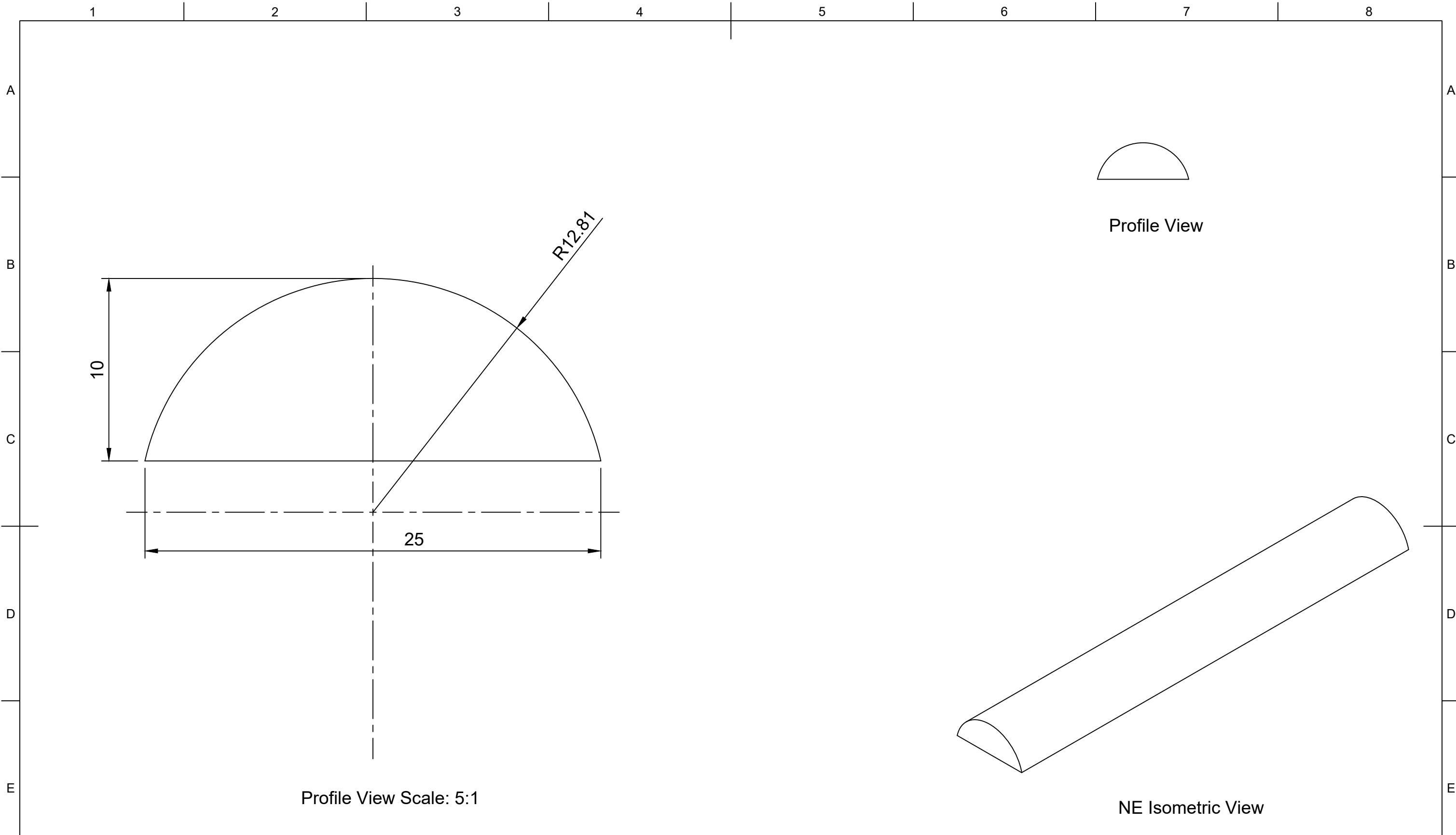
	Part Number				Created By		Cross Sectional Area (mm²)		Nominal Dimension (mm)		Tolerance, ± (mm)
	207792				David Stirling		2137		Greater Than	Less Than or Equal to	
	Description				Date Drawn		Material				
	D Section (Half Moon) - Solid				29/04/2020		EPDM				
					Approved By		Hardness (Shore A)				
							70				
					Date of Approval		Colour				
							Black				
					Projection		Weight (kg/m)				
					3rd Agl. 		2.690				
Revision	Date of Issue	Sheet Scale	Sheet Size	Sheet							
A	19/01/2022	1:1	A3	1/1							
								25.00	40.00	2.00	
								40.00	63.00	2.50	
								63.00	100.00	3.20	
								100.00		3.20%	



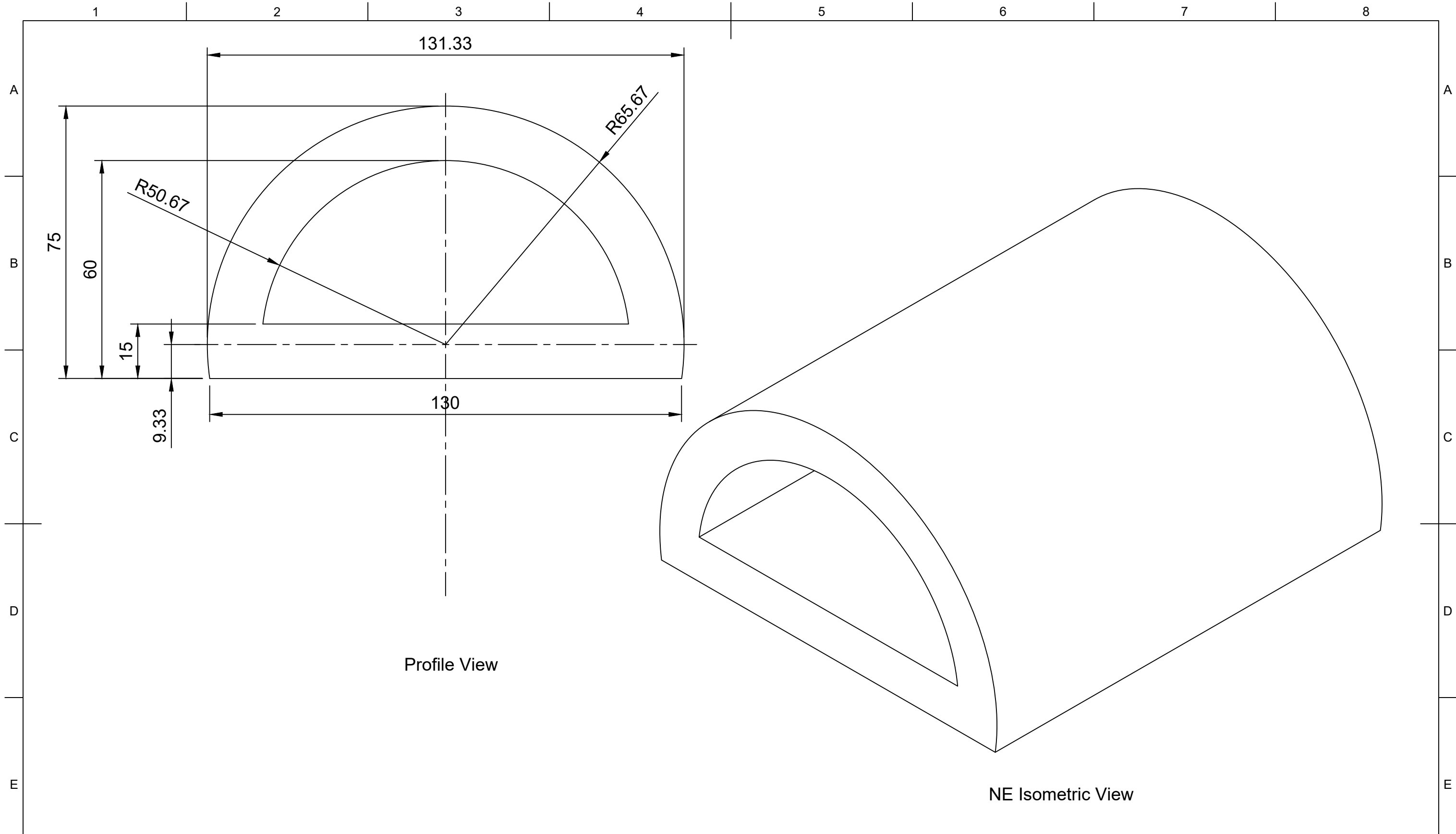
	Part Number				Created By		Cross Sectional Area (mm ²)		Nominal Dimension (mm)		Tolerance, ± (mm)
	208824				David Stirling		73		Greater Than	Less Than or Equal to	
	Description				Date Drawn		Material		0.00		0.40
	D Section (Half Moon) - Solid				01/05/2020		EPDM		1.50		0.50
	Revision				Approved By		Hardness (Shore A)		2.50		0.70
	A				Date of Approval		70		4.00		0.80
	Date of Issue				Date of Approval		Colour		6.30		1.00
	20/01/2022				3rd Agl.		Black		10.00		1.30
	Sheet Scale				Projection		Weight (g/m)		16.00		1.60
	1:1				3rd Agl. 		60		25.00		2.00
Sheet Size								40.00		2.50	
A3								63.00		3.20	
Sheet								100.00		3.20%	
1/1											



	Part Number				Created By		Cross Sectional Area (mm²)		Nominal Dimension (mm)		Tolerance, ± (mm)		
	209586				David Stirling		73		Greater Than	Less Than or Equal to			
	Description				Date Drawn		Material		0.00	1.50	0.40		
	D Section (Half Moon) - Solid				31/01/2022		Neoprene		1.50	2.50	0.50		
	Revision				Approved By		Hardness (Shore A)		2.50	4.00	0.70		
	A	Date of Issue		Sheet Scale		Sheet Size		Sheet		Date of Approval		Colour	
		31/01/2022		1:1		A3		1/1		70		Black	
	Projection				Weight (g/m)		111		10.00	16.00	1.30		
	3rd Agl. 								16.00	25.00	1.60		
									25.00	40.00	2.00		
								40.00	63.00	2.50			
								63.00	100.00	3.20			
								100.00		3.20%			


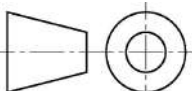


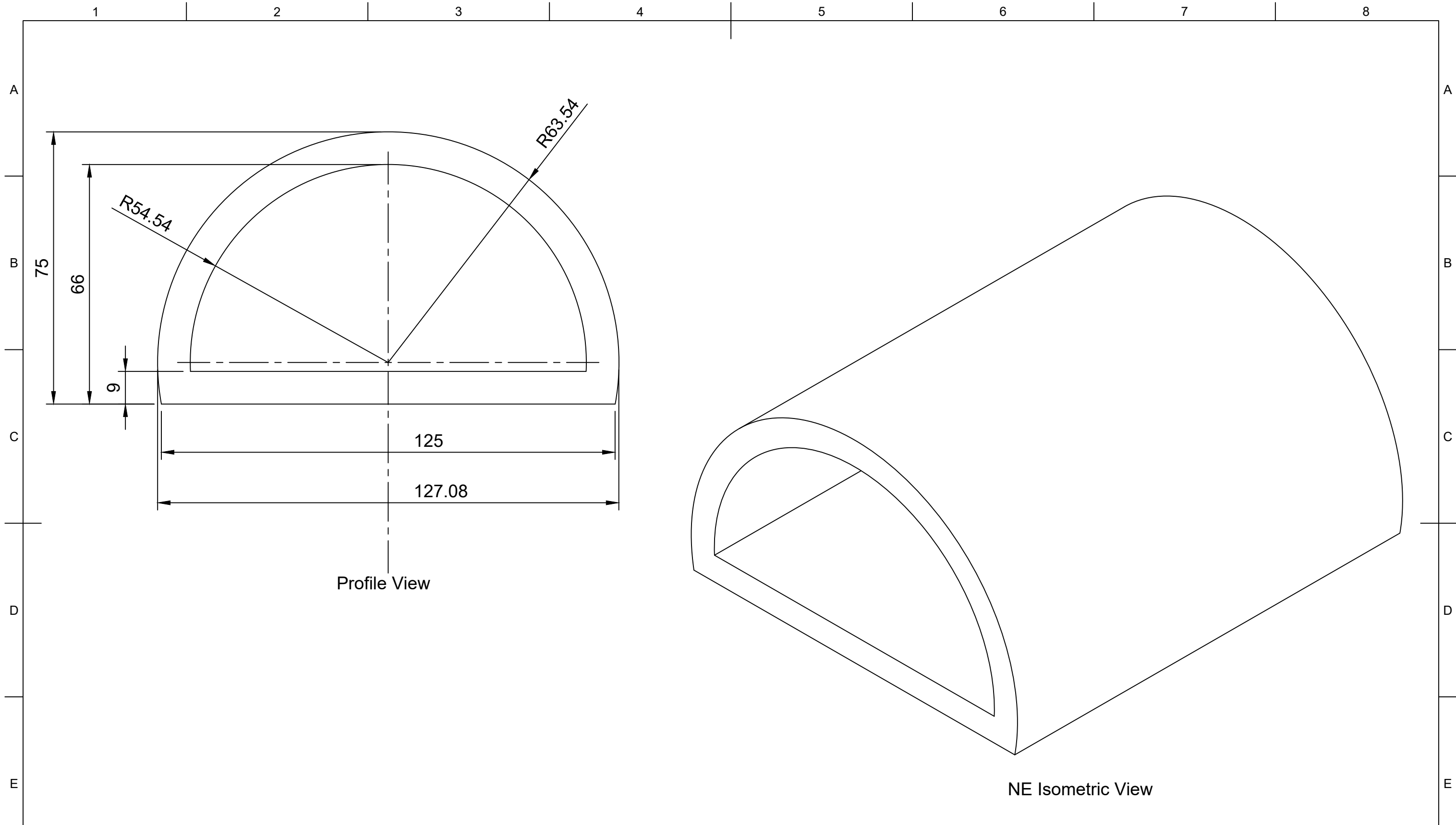
	Part Number				Created By		Cross Sectional Area (mm ²)		Nominal Dimension (mm)		Tolerance, ± (mm)
	209765				David Stirling		186		Greater Than	Less Than or Equal to	
	Description				Date Drawn		Material		0.00	1.50	0.40
	D Section (Half Moon) - Solid				03/05/2020		EPDM		1.50	2.50	0.50
	Revision				Approved By		Hardness (Shore A)		2.50	4.00	0.70
	A	Date of Issue		Sheet Scale	Sheet Size	Sheet	Date of Approval		4.00	6.30	0.80
		20/01/2022		1:1	A3	1/1	Colour		6.30	10.00	1.00
	Projection				3rd Agl.		Weight (g/m)		10.00	16.00	1.30
							234		16.00	25.00	1.60
									25.00	40.00	2.00
								40.00	63.00	2.50	
								63.00	100.00	3.20	
								100.00		3.20%	



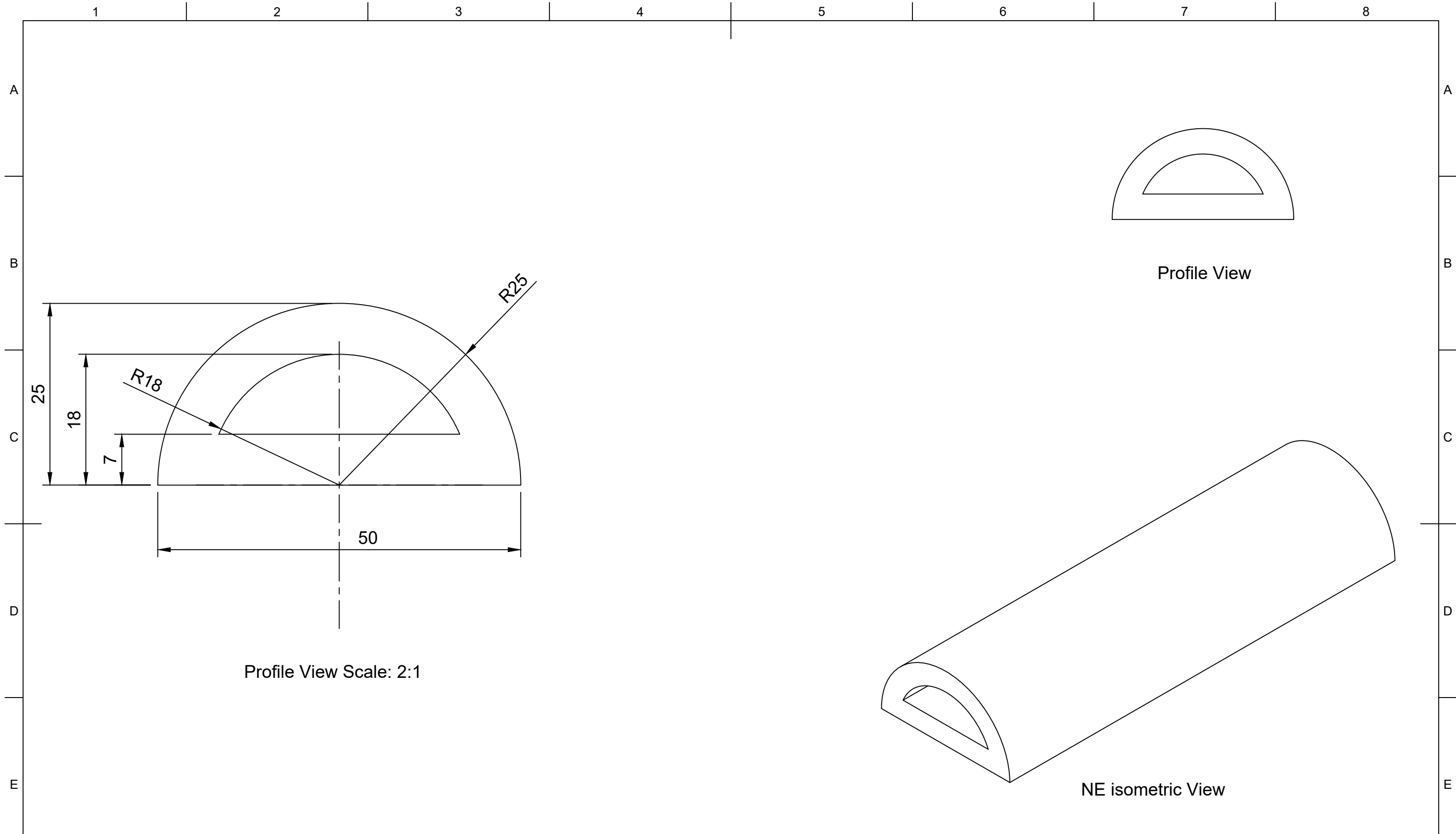
Profile View

NE Isometric View

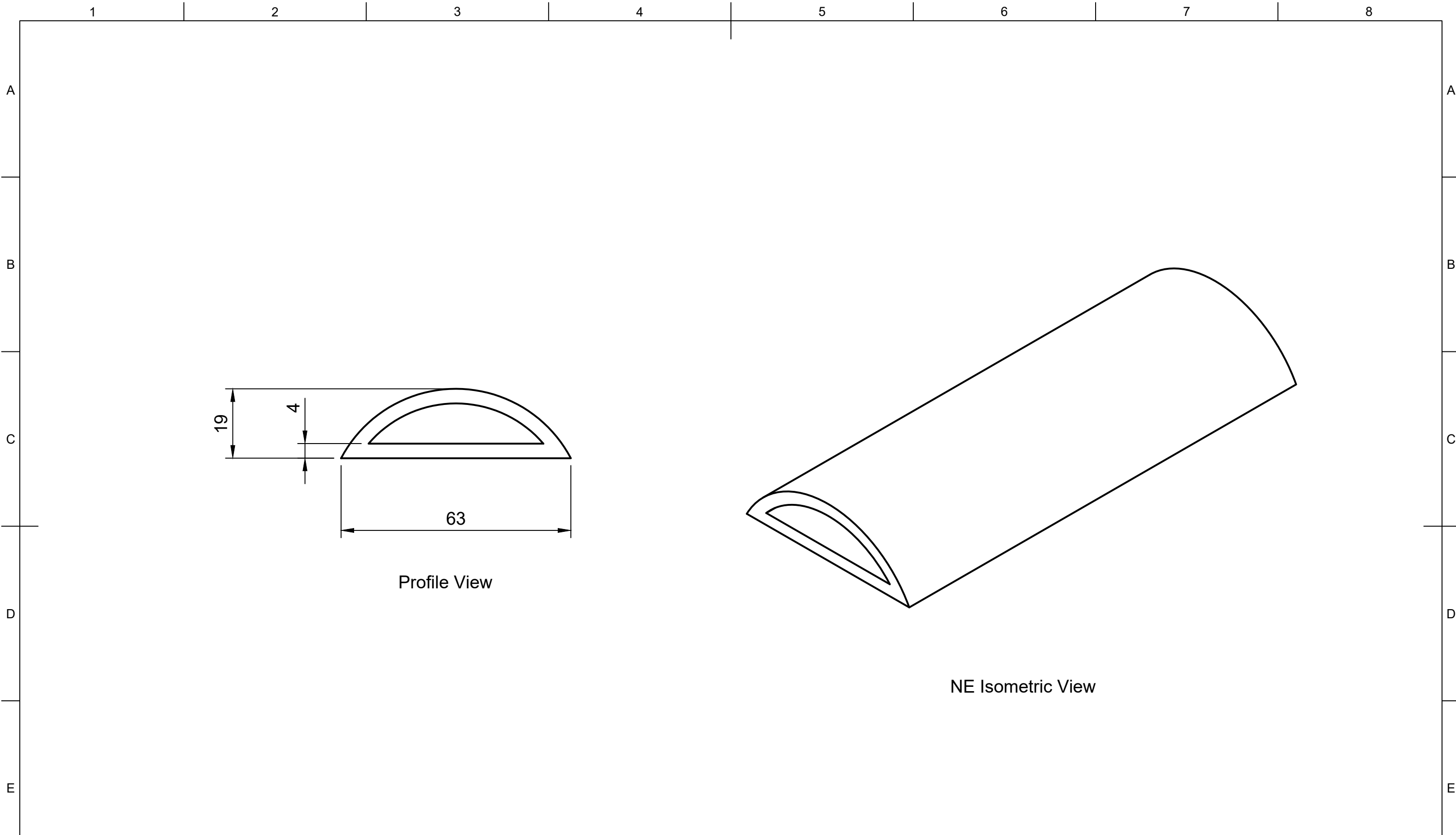
	Part Number				Created By	Cross Sectional Area (mm²)	Nominal Dimension (mm)		Tolerance, ± (mm)	
	200120				David Stirling	4536	Greater Than	Less Than or Equal to		
					Date Drawn	Material	0.00	1.50	0.40	
					01/05/2020	EPDM	1.50	2.50	0.50	
	Description				Approved By	Hardness (Shore A)	2.50	4.00	0.70	
	D Section (Half Moon) - D Centre (Half Moon)					70	4.00	6.30	0.80	
					Date of Approval	Colour	6.30	10.00	1.00	
						Black	10.00	16.00	1.30	
	Revision	Date of Issue	Sheet Scale	Sheet Size	Sheet	Projection	Weight (kg/m)	16.00	25.00	1.60
	A	20/01/2022	1:1	A3	1/1	3rd Agl. 	5.500	25.00	40.00	2.00
							40.00	63.00	2.50	
							63.00	100.00	3.20	
							100.00		3.20%	



Part Number		200191			Created By	David Stirling	Cross Sectional Area (mm ²)	2850		Nominal Dimension (mm)		Tolerance, ± (mm)				
					Date Drawn	01/05/2020	Material	EPDM	Greater Than	Less Than or Equal to						
Description					Approved By		Hardness (Shore A)		0.00		1.50	0.40				
									Date of Approval		70		1.50		2.50	0.50
Revision					Date of Issue		Sheet Scale		Sheet Size		Sheet		2.50		4.00	0.70
													A		20/01/2022	
Projection					3rd Agl.		Weight (kg/m)		6.30		10.00	1.00				
									5.350		10.00		16.00	1.30		
									16.00		25.00	1.60				
									25.00		40.00		2.00			
									40.00		63.00	2.50				
									63.00		100.00		3.20			
									100.00		—	3.20%				



Part Number		200283			Created By	David Stirling	Cross Sectional Area (mm ²)	718		Nominal Dimension (mm)		Tolerance, ± (mm)
					Date Drawn	05/05/2020	Material	EPDM	Greater Than	Less Than or Equal to	0.00	
Description		D Section (Half Moon) - D Centre (Half Moon)			Approved By		Hardness (Shore A)	70		2.50	4.00	0.70
					Date of Approval		Colour	Black	4.00	6.30	0.80	6.30
Revision	Date of Issue	Sheet Scale	Sheet Size	Sheet	Projection	3rd Agl.	Weight (g/m)	905		10.00	16.00	1.30
A	21/01/2022	1:1	A3	1/1			25.00	40.00	2.00	16.00	25.00	1.60
										40.00	63.00	2.50
										63.00	100.00	3.20
										100.00		3.20%

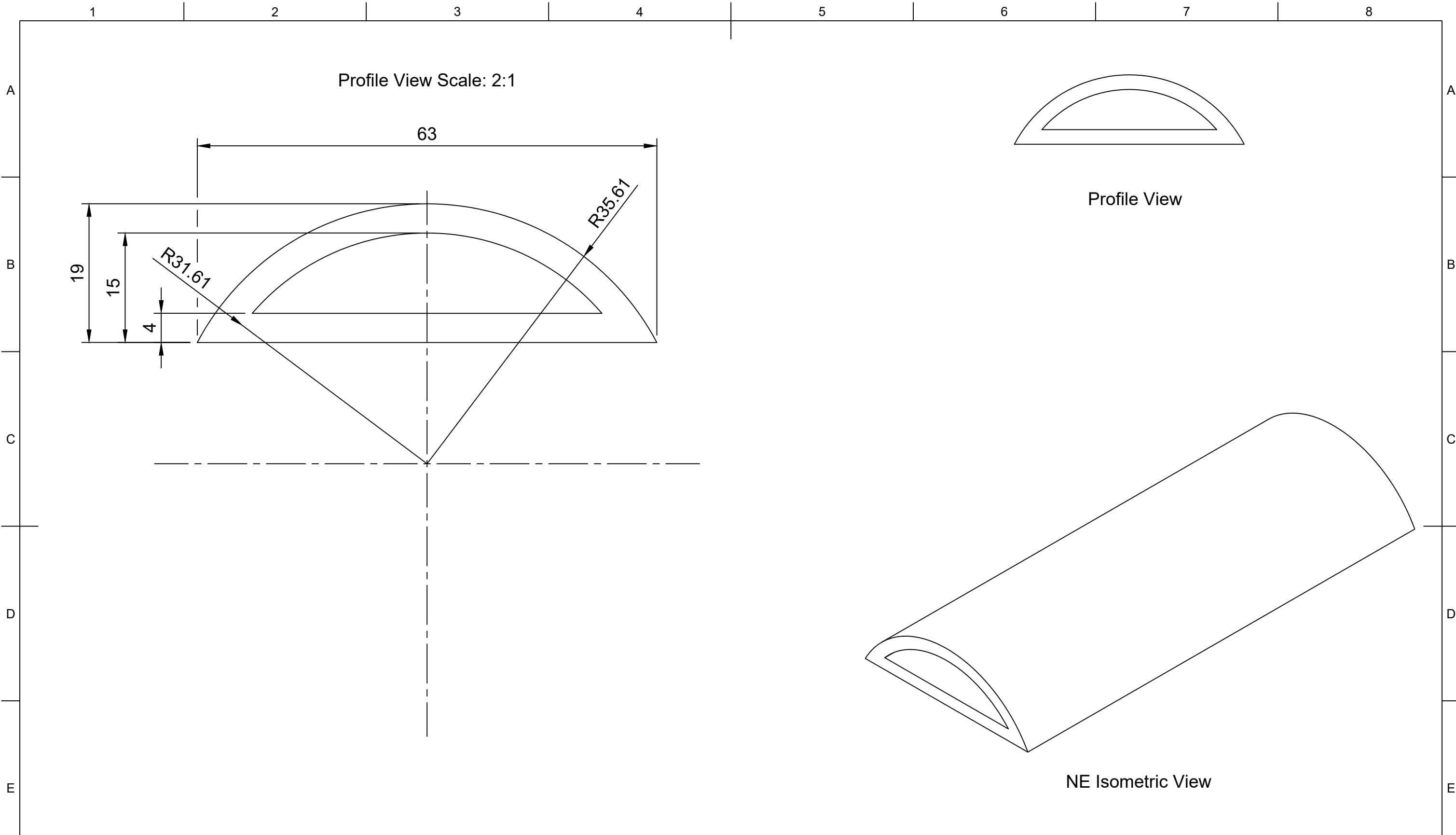


Profile View

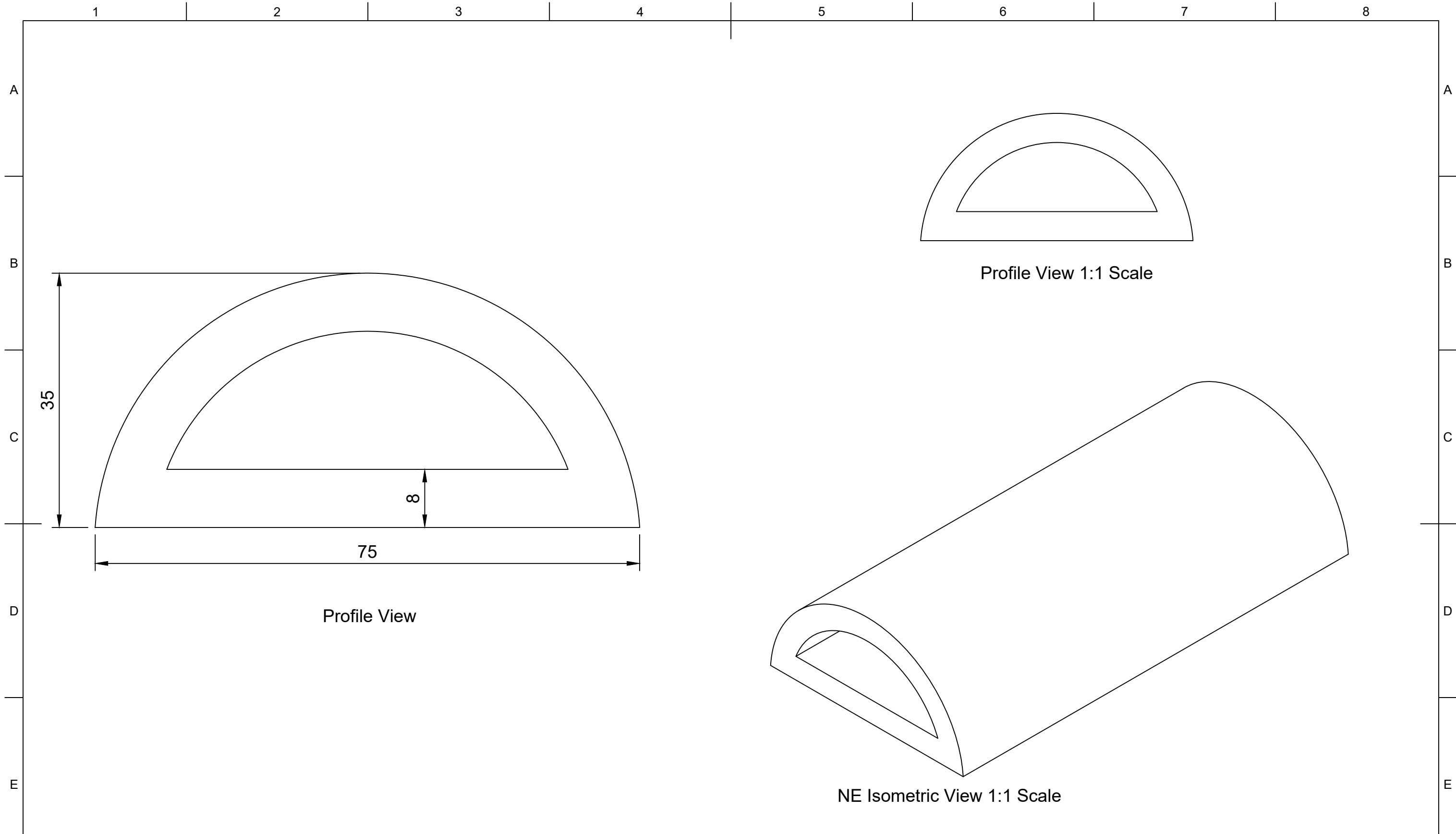
NE Isometric View


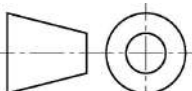


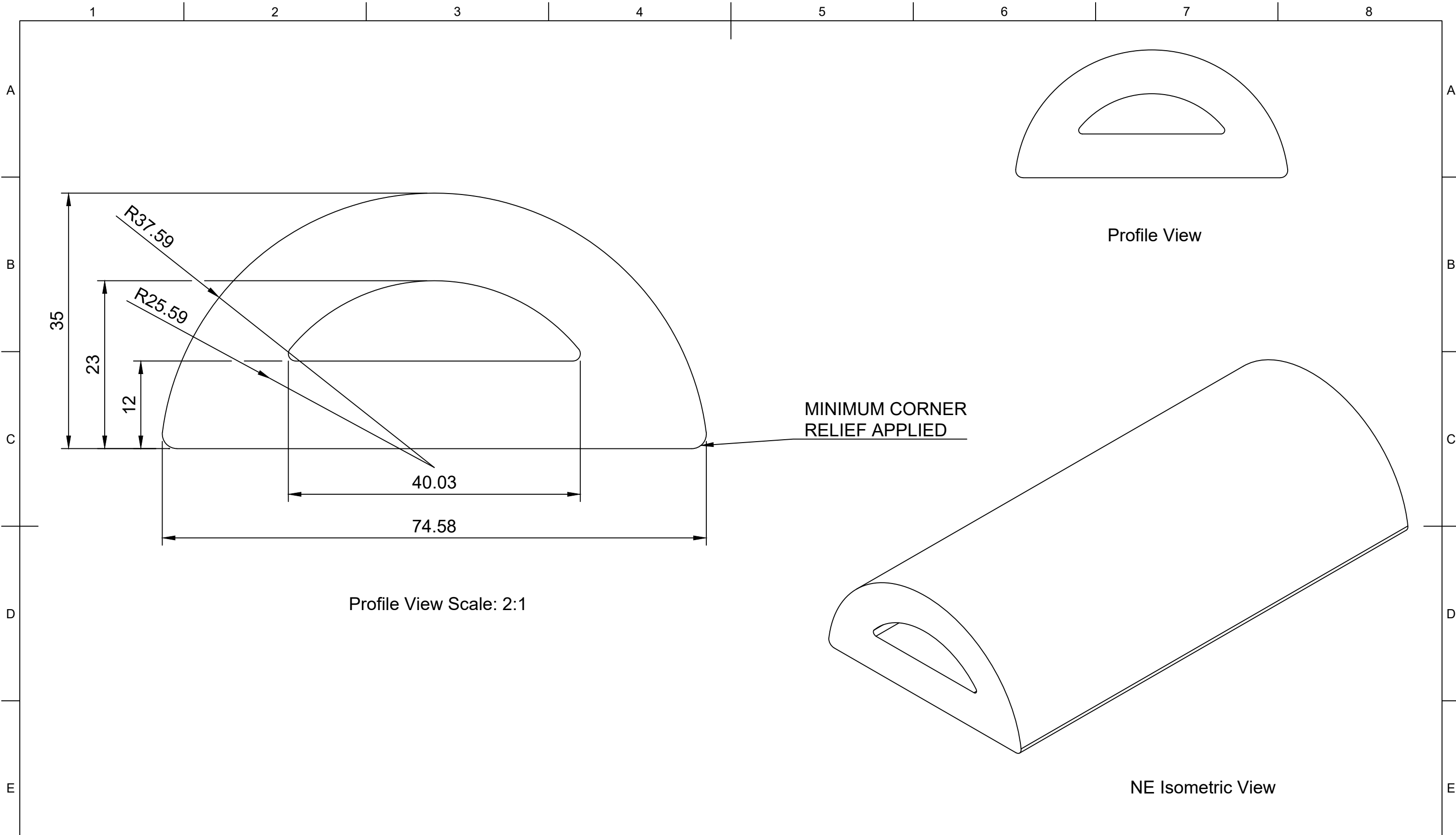
	Part Number				Created By		Cross Sectional Area (mm²)		Nominal Dimension (mm)		Tolerance, ± (mm)			
	202011				David Stirling		487		Greater Than	Less Than or Equal to				
	Description				Date Drawn		Material		0.00	1.50	0.40			
	D Section (Half Moon) - D Centre (Half Moon)				21/01/2022		Neoprene		1.50	2.50	0.50			
	Revision				Approved By		Hardness (Shore A)		2.50	4.00	0.70			
	A	Date of Issue		Sheet Scale		Sheet Size		Sheet		Projection		4.00	6.30	0.80
		21/01/2022		1:1		A3		1/1		3rd Agl.		6.30	10.00	1.00
										Weight (g/m)		10.00	16.00	1.30
										740		16.00	25.00	1.60
												25.00	40.00	2.00
											40.00	63.00	2.50	
											63.00	100.00	3.20	
											100.00		3.20%	



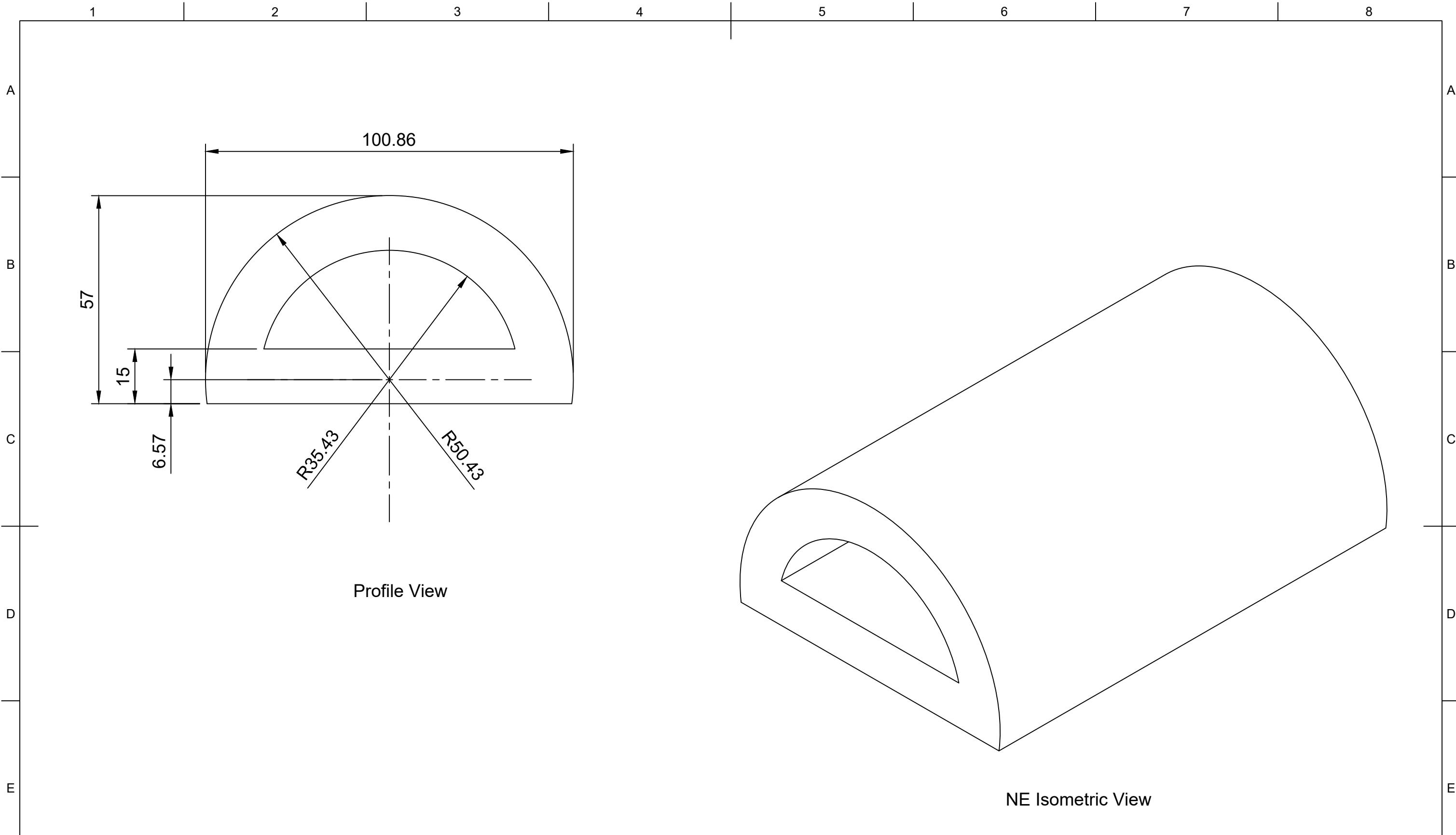
	Part Number				Created By		Cross Sectional Area (mm²)		Nominal Dimension (mm)		Tolerance, ± (mm)
	205156				David Stirling		487		Greater Than	Less Than or Equal to	
					Date Drawn		Material		0.00	1.50	0.40
					06/05/2020		EPDM		1.50	2.50	0.50
	Description				Approved By		Hardness (Shore A)		2.50	4.00	0.70
	D Section (Half Moon) - D Centre (Half Moon)						70		4.00	6.30	0.80
					Date of Approval		Colour		6.30	10.00	1.00
							Black		10.00	16.00	1.30
							Weight (g/m)		16.00	25.00	1.60
							614		25.00	40.00	2.00
Revision	Date of Issue	Sheet Scale	Sheet Size	Sheet	Projection			40.00	63.00	2.50	
A	21/01/2022	1:1	A3	1/1	3rd Agl.			63.00	100.00	3.20	
								100.00	---	3.20%	



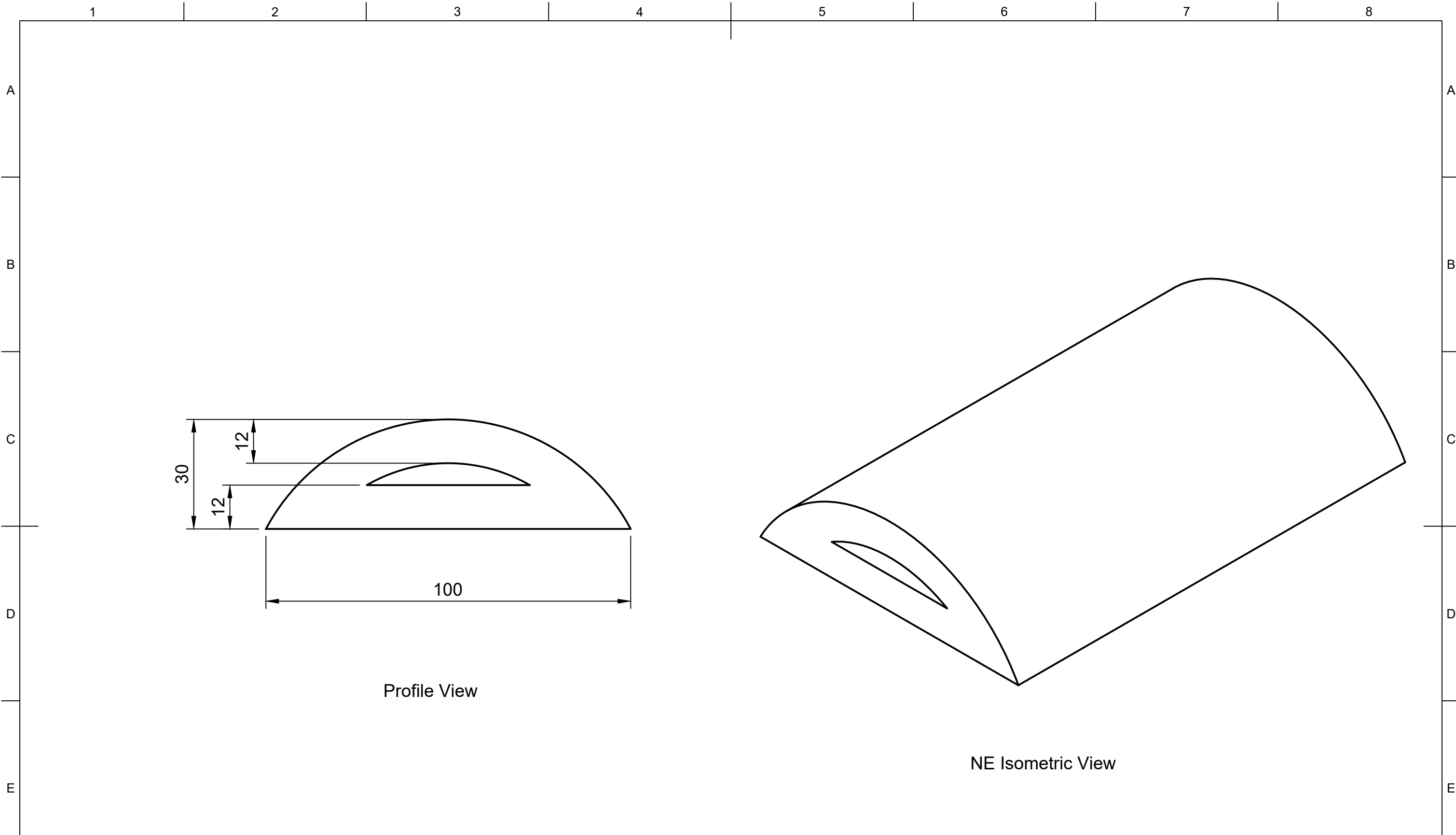
	Part Number				Created By		Cross Sectional Area (mm²)		Nominal Dimension (mm)		Tolerance, ± (mm)
	205225				David Stirling		1263		Greater Than	Less Than or Equal to	
	Description				Date Drawn		Material		0.00	1.50	0.40
	D Section (Half Moon) - D Centre (Half Moon)				25/09/2020		EPDM		1.50	2.50	0.50
	Revision				Approved By		Hardness (Shore A)		2.50	4.00	0.70
	A	Date of Issue		Sheet Scale	Sheet Size	Sheet	Date of Approval		4.00	6.30	0.80
		21/01/2022		2:1	A3	1/1	Colour		6.30	10.00	1.00
	Projection				Weight (kg/m)		3rd Agl.		10.00	16.00	1.30
					1.591				16.00	25.00	1.60
									25.00	40.00	2.00
								40.00	63.00	2.50	
								63.00	100.00	3.20	
								100.00		3.20%	



	Part Number				Created By		Cross Sectional Area (mm²)		Nominal Dimension (mm)		Tolerance, ± (mm)	
	206251				David Stirling		1700		Greater Than	Less Than or Equal to		
					Date Drawn		Material		0.00	1.50	0.40	
					06/05/2020		EPDM		1.50	2.50	0.50	
	Description				Approved By		Hardness (Shore A)		2.50	4.00	0.70	
	D Section (Half Moon) - D Centre (Half Moon)						70		4.00	6.30	0.80	
					Date of Approval		Colour		6.30	10.00	1.00	
							Black		10.00	16.00	1.30	
							Weight (kg/m)		16.00	25.00	1.60	
							2.142		25.00	40.00	2.00	
Revision	Date of Issue	Sheet Scale	Sheet Size	Sheet	Projection			40.00	63.00	2.50		
A	21/01/2022	1:1	A3	1/1	3rd Agl.			63.00	100.00	3.20		
								100.00	---	3.20%		



Part Number 207170					Created By David Stirling		Cross Sectional Area (mm ²) 3275		Nominal Dimension (mm)		Tolerance, ± (mm)
					Date Drawn 29/04/2020		Material EPDM		Greater Than	Less Than or Equal to	
Description D Section (Half Moon) - D Centre (Half Moon)					Approved By		Hardness (Shore A) 70		0.00	1.50	0.40
					Date of Approval		Colour Black		1.50	2.50	0.50
Revision A	Date of Issue 19/01/2022	Sheet Scale 1:1	Sheet Size A3	Sheet 1/1	Projection 3rd Agl.	Weight (kg/m) 4.150		2.50	4.00	0.70	
						6.30	10.00	1.00			
						10.00	16.00	1.30	16.00	25.00	1.60
						25.00	40.00	2.00	40.00	63.00	2.50
						40.00	63.00	3.20	63.00	100.00	3.20
						63.00	100.00	3.20%	100.00		3.20%

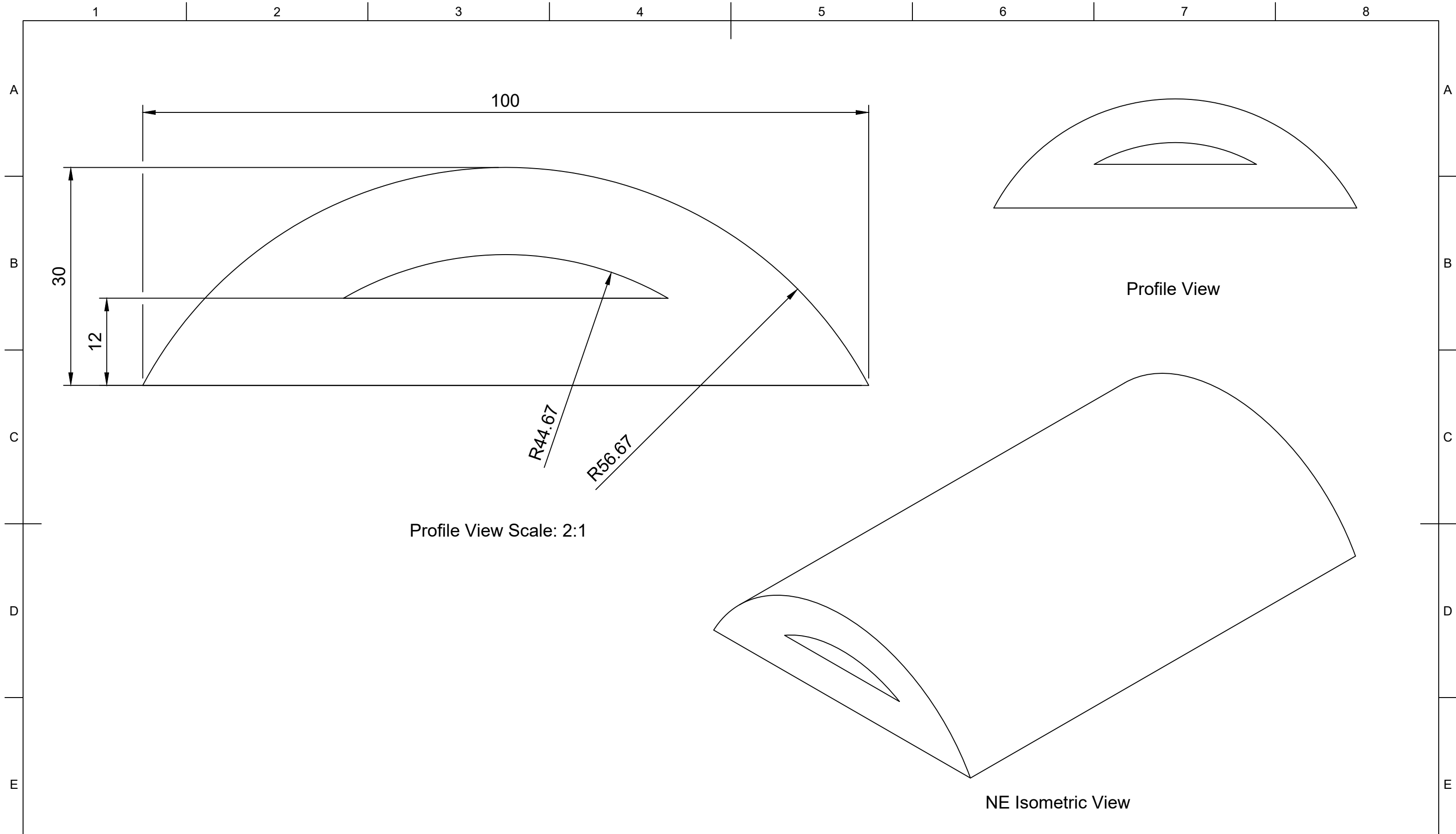



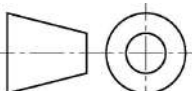
Profile View

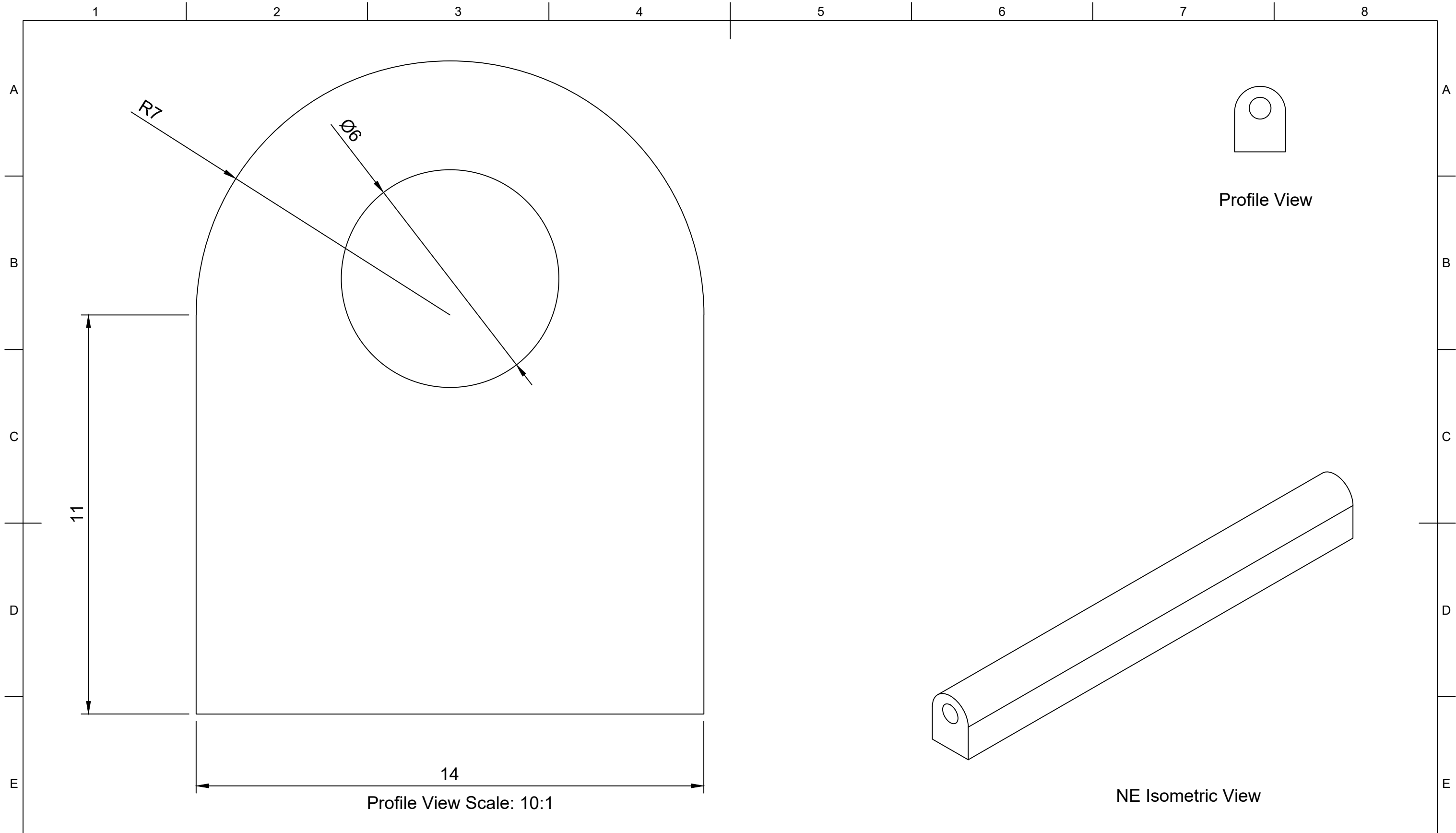
NE Isometric View



	Part Number				Created By		Cross Sectional Area (mm²)		Nominal Dimension (mm)		Tolerance, ± (mm)	
	208260				David Stirling		1956		Greater Than	Less Than or Equal to		
	Description				Date Drawn		Material		0.00	1.50	0.40	
	D Section (Half Moon) - D Centre (Half Moon)				19/01/2022		Neoprene		1.50	2.50	0.50	
	Revision				Approved By		Hardness (Shore A)		2.50	4.00	0.70	
	A	Date of Issue		Sheet Scale		Date of Approval		70		4.00	6.30	0.80
		19/01/2022		1:1				Colour		6.30	10.00	1.00
				Sheet Size		Projection		Black		10.00	16.00	1.30
				A3		3rd Agl.		Weight (g/m)		16.00	25.00	1.60
				1/1				2.950		25.00	40.00	2.00
									40.00	63.00	2.50	
									63.00	100.00	3.20	
									100.00		3.20%	



	Part Number				Created By		Cross Sectional Area (mm²)		Nominal Dimension (mm)		Tolerance, ± (mm)
	209291				David Stirling		1956		Greater Than	Less Than or Equal to	0.40
					Date Drawn		Material		0.00	1.50	
	D Section (Half Moon) - D Centre (Half Moon)				29/04/2020		EPDM		1.50	2.50	0.50
					Approved By		Hardness (Shore A)		2.50	4.00	0.70
					Date of Approval		70		4.00	6.30	0.80
					Colour		Black		6.30	10.00	1.00
	Revision				Projection		Weight (kg/m)		10.00	16.00	1.30
	A	19/01/2022	1:1	A3	1/1	3rd Agl. 	2.440		16.00	25.00	1.60
	Sheet Scale				Sheet Size		Sheet		25.00	40.00	2.00
1:1				A3		1/1		40.00	63.00	2.50	
								63.00	100.00	3.20	
								100.00		3.20%	

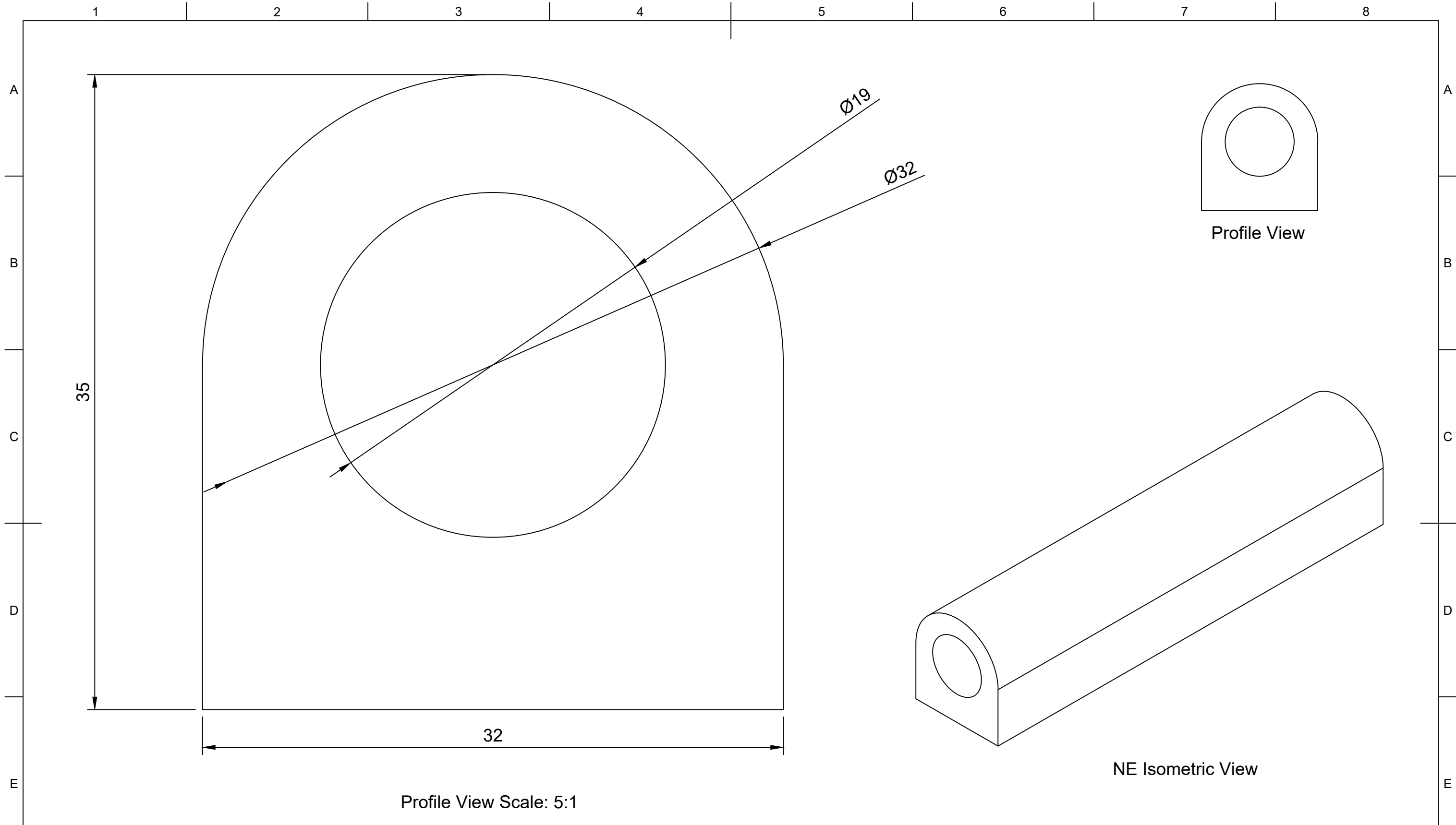



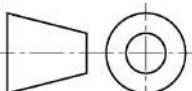
Profile View Scale: 10:1

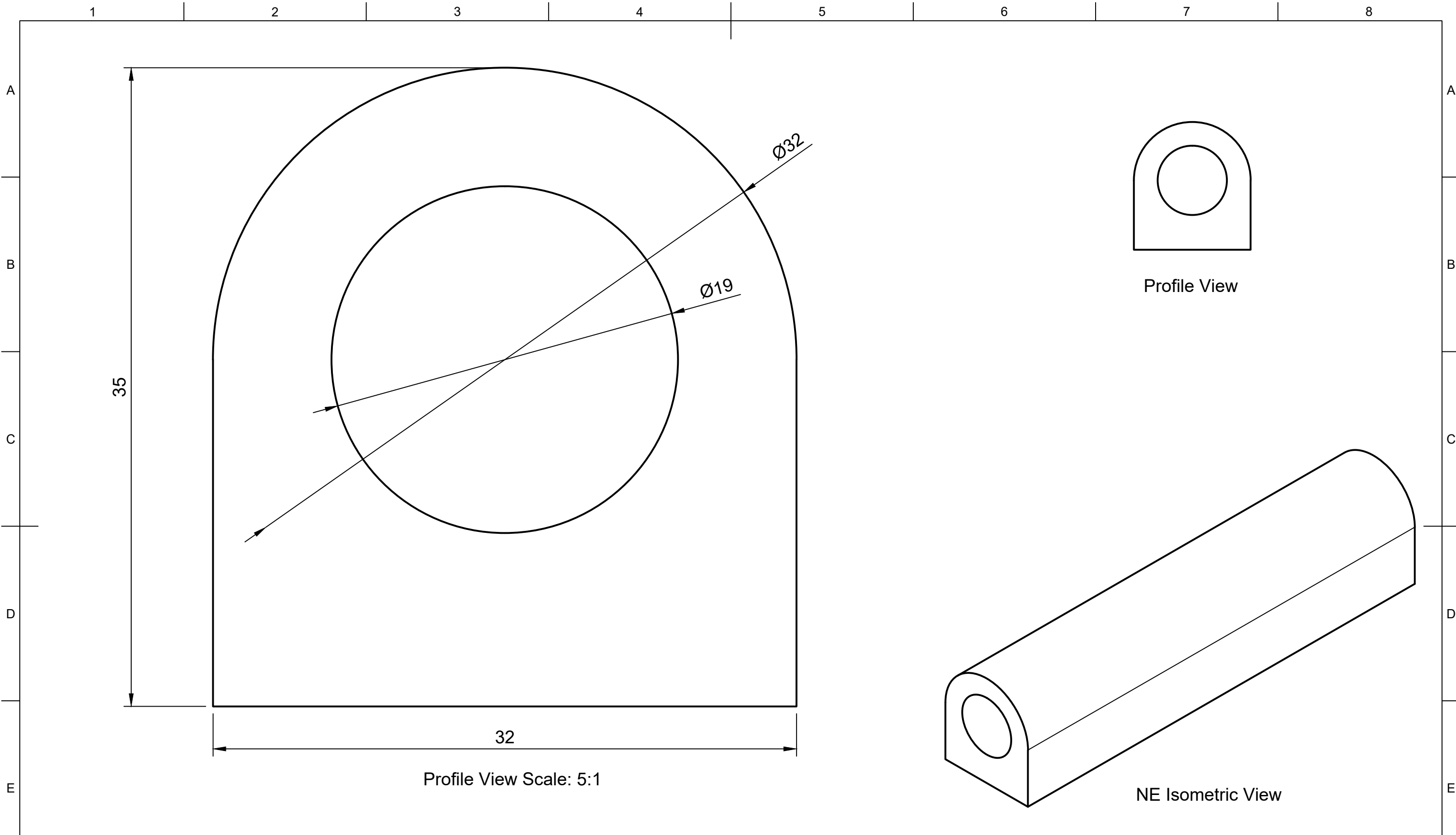
NE Isometric View



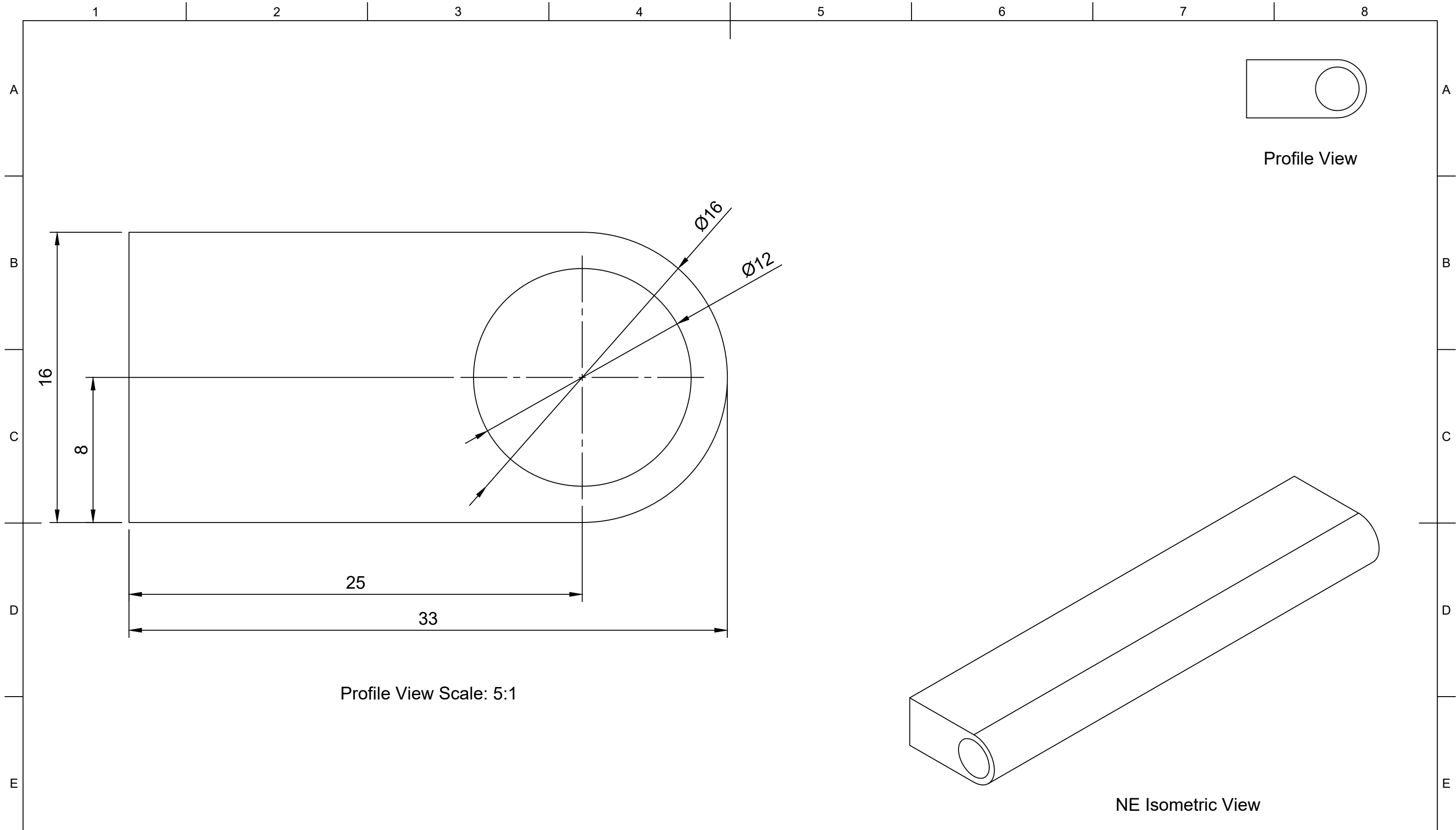
Part Number		205766			Created By	David Stirling	Cross Sectional Area (mm ²)	203		Nominal Dimension (mm)		Tolerance, ± (mm)		
					Date Drawn	01/05/2020	Material	EPDM	Greater Than	Less Than or Equal to	0.00		1.50	0.40
Description					D Section - Round Centre (Concentric)			Approved By		Hardness (Shore A)	70	1.50	2.50	0.50
								Date of Approval		Colour	Black	2.50	4.00	0.70
Revision	Date of Issue	Sheet Scale	Sheet Size	Sheet	Projection	3rd Agl.	Weight (g/m)	260	4.00	6.30	0.80			
A	20/01/2022	1:1	A3	1/1			10.00	16.00	1.30					
										16.00	25.00	1.60		
										25.00	40.00	2.00		
										40.00	63.00	2.50		
										63.00	100.00	3.20		
										100.00		3.20%		



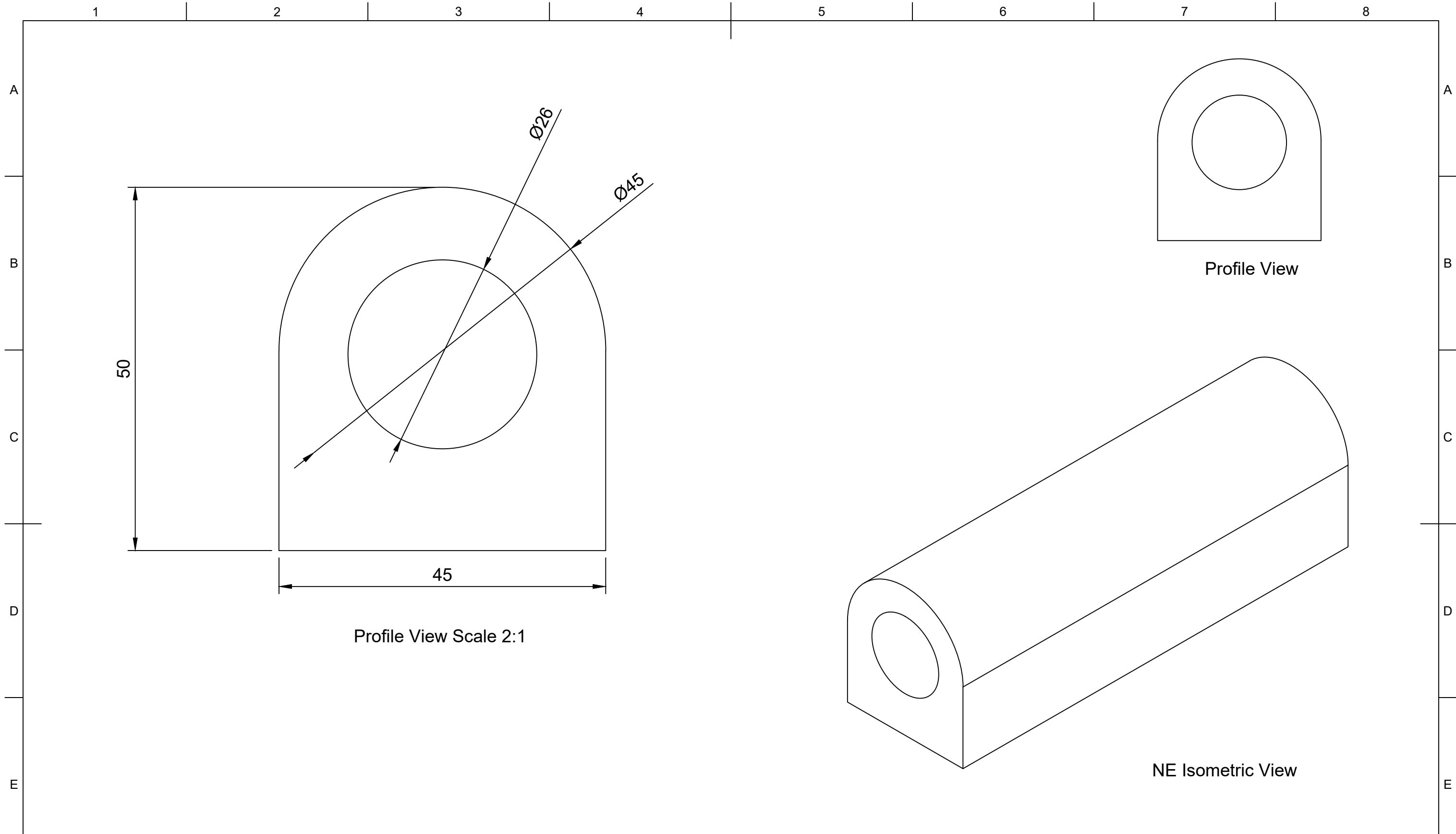
	Part Number				Created By		Cross Sectional Area (mm²)		Nominal Dimension (mm)		Tolerance, ± (mm)	
	206193				Isaac Erskine		727		Greater Than	Less Than or Equal to		
	Description				Date Drawn		Material		0.00	1.50	0.40	
	D Section - Round Centre (Concentric)				04/09/2020		EPDM		1.50	2.50	0.50	
	Revision				Approved By		Hardness (Shore A)		2.50	4.00	0.70	
	A	Date of Issue		Sheet Scale	Sheet Size	Sheet	Isaac Erskine		4.00	6.30	0.80	
		21/02/2022		1:1	A3	1/1	21/02/2022		6.30	10.00	1.00	
		Projection				Date of Approval		Colour		10.00	16.00	1.30
		3rd Agl. 				21/02/2022		Black		16.00	25.00	1.60
								Weight (g/m)		25.00	40.00	2.00
							916		40.00	63.00	2.50	
									63.00	100.00	3.20	
									100.00		3.20%	


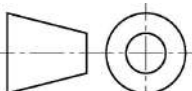


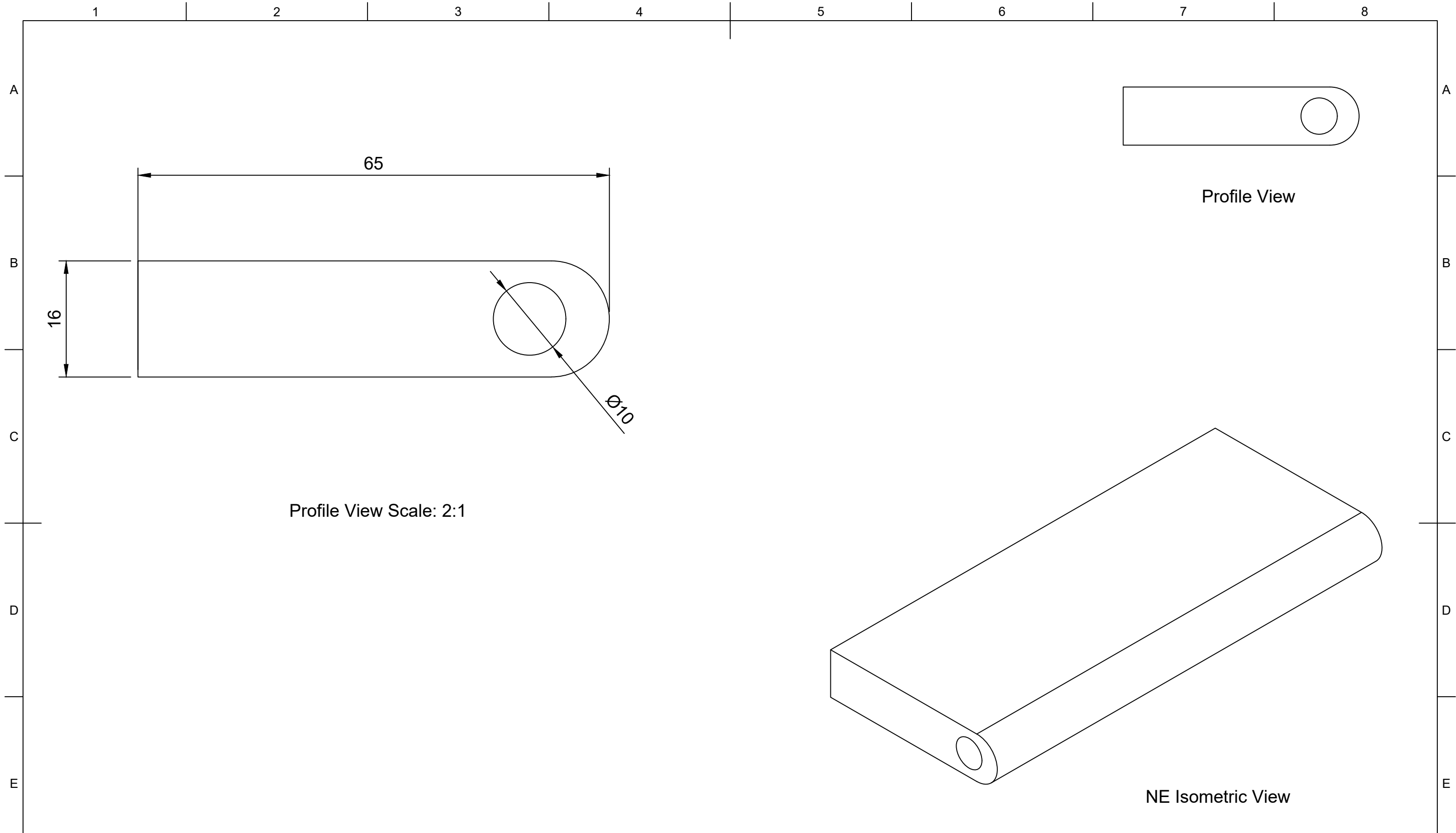
Part Number		203409			Created By	Isaac Erskine	Cross Sectional Area (mm ²)	727		Nominal Dimension (mm)		Tolerance, ± (mm)
					Date Drawn	21/02/2022	Material	Neoprene	Greater Than	Less Than or Equal to		
Description		D Section - Round Centre (Concentric)			Approved By	Isaac Erskine	Hardness (Shore A)	70		0.00	1.50	0.40
					Date of Approval	21/02/2022	Colour	Black	1.50	2.50	0.50	
Revision	Date of Issue	Sheet Scale	Sheet Size	Sheet	Projection	3rd Agl.	Weight (kg/m)	1.105		2.50	4.00	0.70
A	21/02/2022	1:1	A3	1/1			25.00	40.00	2.00			
										63.00	100.00	3.20
										100.00		3.20%


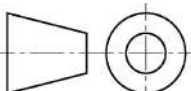


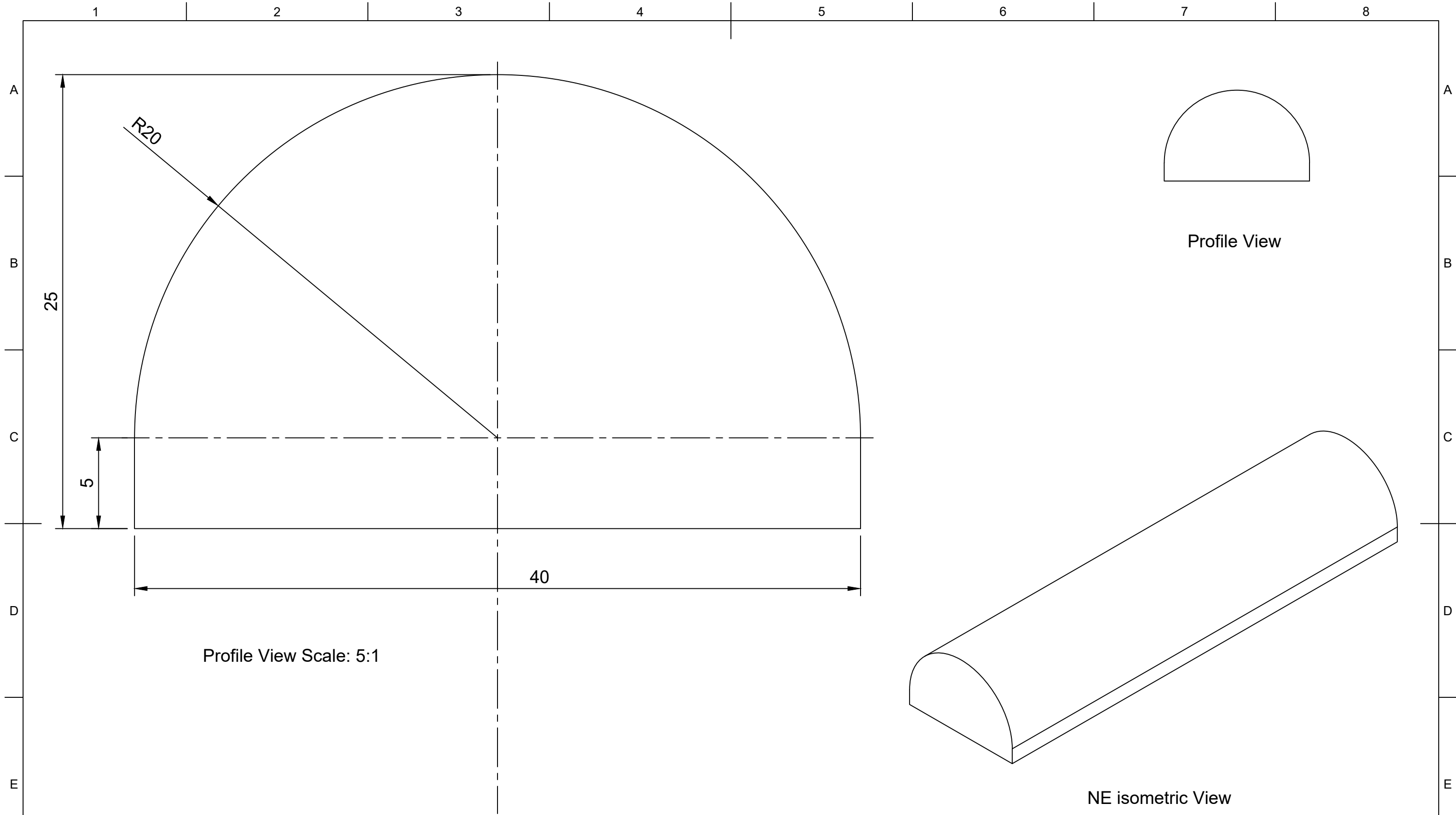
	Part Number				Created By		Cross Sectional Area (mm ²)		Nominal Dimension (mm)		Tolerance, ± (mm)
	209201				Isaac Erskine		387		Greater Than	Less Than or Equal to	
	Description				Date Drawn		Material		0.00		0.40
	D Section - Round Centre (Concentric)				04/09/2020		EPDM		1.50		0.50
	Revision				Approved By		Hardness (Shore A)		2.50		0.70
	A	Date of Issue		Sheet Scale	Sheet Size	Sheet	Isaac Erskine		4.00		0.80
		21/02/2022		1:1	A3	1/1	Date of Approval		6.30		1.00
							21/02/2022		10.00		1.30
							Projection		16.00		1.60
							3rd Agl.		25.00		2.00
						Weight (g/m)		40.00		2.50	
						488		63.00		3.20	
								100.00		3.20%	




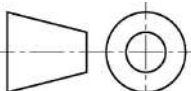
	Part Number				Created By		Cross Sectional Area (mm²)		Nominal Dimension (mm)		Tolerance, ± (mm)
	204895				Isaac Erskine		1502		Greater Than	Less Than or Equal to	
	Description				Date Drawn		Material		0.00		0.40
	D Section - Round Centre (Concentric)				04/09/2020		EPDM		1.50		0.50
	Revision				Approved By		Hardness (Shore A)		2.50		0.70
	A	21/02/2022		Isaac Erskine		70		4.00		0.80	
	Date of Issue		Sheet Scale		Date of Approval		Colour		6.30		1.00
	21/02/2022		1:1		21/02/2022		Black		10.00		1.30
	Sheet Size		Sheet		Projection		Weight (kg/m)		16.00		1.60
	A3		1/1		3rd Agl. 		1.893		25.00		2.00
								40.00		2.50	
								63.00		3.20	
								100.00		3.20%	



	Part Number				Created By		Cross Sectional Area (mm²)		Nominal Dimension (mm)		Tolerance, ± (mm)
	206127				Isaac Erskine		934		Greater Than	Less Than or Equal to	
	Description				Date Drawn		Material				
	D Section - Round Centre (Concentric)				05/09/2020		Nitrile				
	Revision				Approved By		Hardness (Shore A)				
	A	21/02/2022		Isaac Erskine		70					
	Date of Issue		Sheet Scale		Date of Approval		Colour				
	1:1		A3		21/02/2022		Black				
	Sheet Size		Sheet		Projection		Weight (kg/m)				
	A3		1/1		3rd Agl. 		1.130				
								25.00	40.00	2.00	
								40.00	63.00	2.50	
								63.00	100.00	3.20	
								100.00		3.20%	

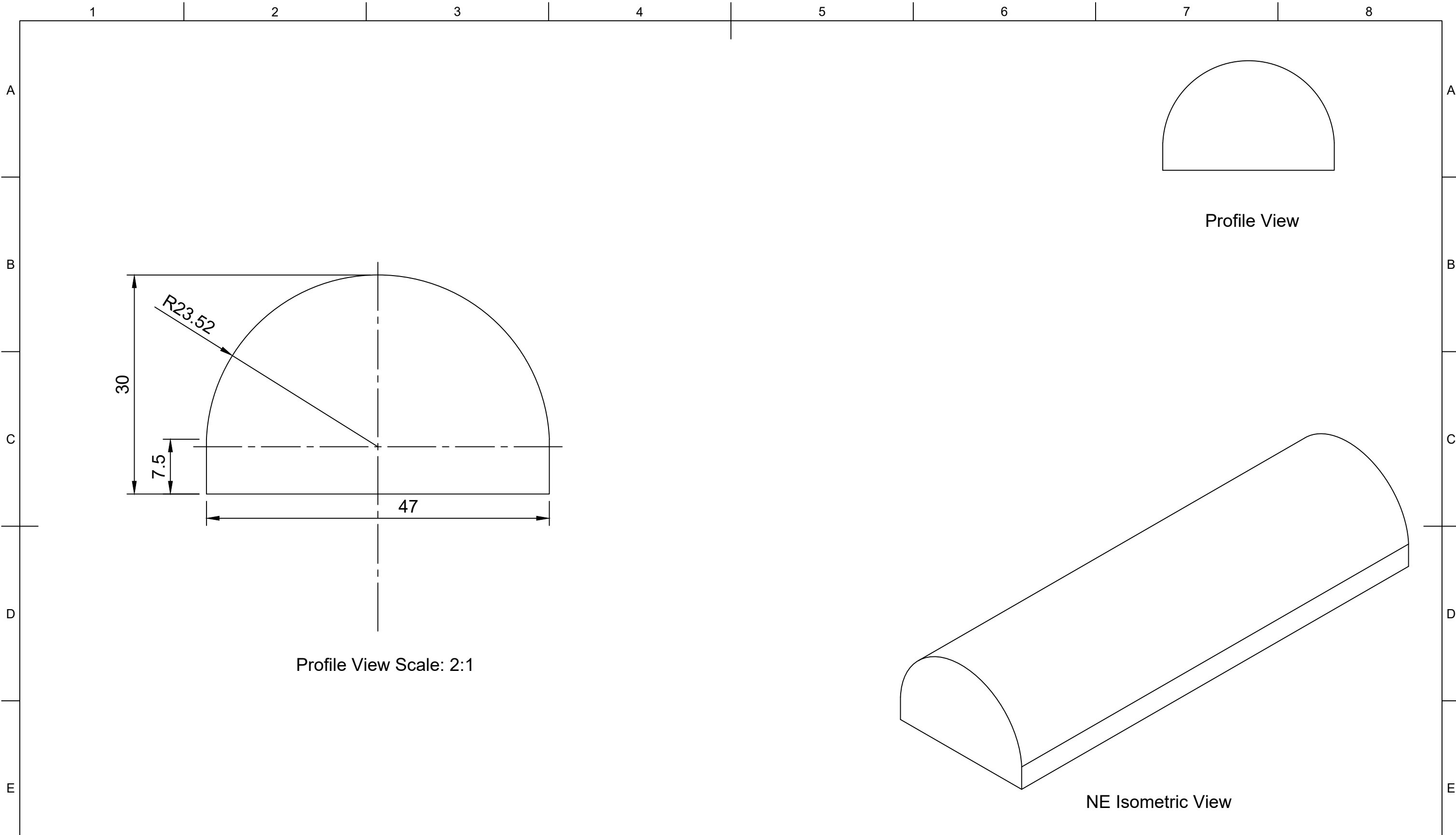



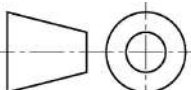
	Part Number				Created By		Cross Sectional Area (mm²)		Nominal Dimension (mm)		Tolerance, ± (mm)	
	200240				David Stirling		828		Greater Than	Less Than or Equal to		
	Description				Date Drawn		Material		0.00	1.50	0.40	
	D Section - Solid				04/05/2020		EPDM		1.50	2.50	0.50	
	Revision				Approved By		Hardness (Shore A)		2.50	4.00	0.70	
	A	21/01/2022		Sheet Scale		Date of Approval		70		4.00	6.30	0.80
		21/01/2022		1:1		Date of Approval		Black		6.30	10.00	1.00
		21/01/2022		A3		Date of Approval		Black		10.00	16.00	1.30
		21/01/2022		1/1		Date of Approval		Black		16.00	25.00	1.60
		21/01/2022		1/1		Date of Approval		Black		25.00	40.00	2.00
	21/01/2022		1/1		Date of Approval		Black		40.00	63.00	2.50	
	21/01/2022		1/1		Date of Approval		Black		63.00	100.00	3.20	
	21/01/2022		1/1		Date of Approval		Black		100.00		3.20%	
	21/01/2022		1/1		Date of Approval		Black					

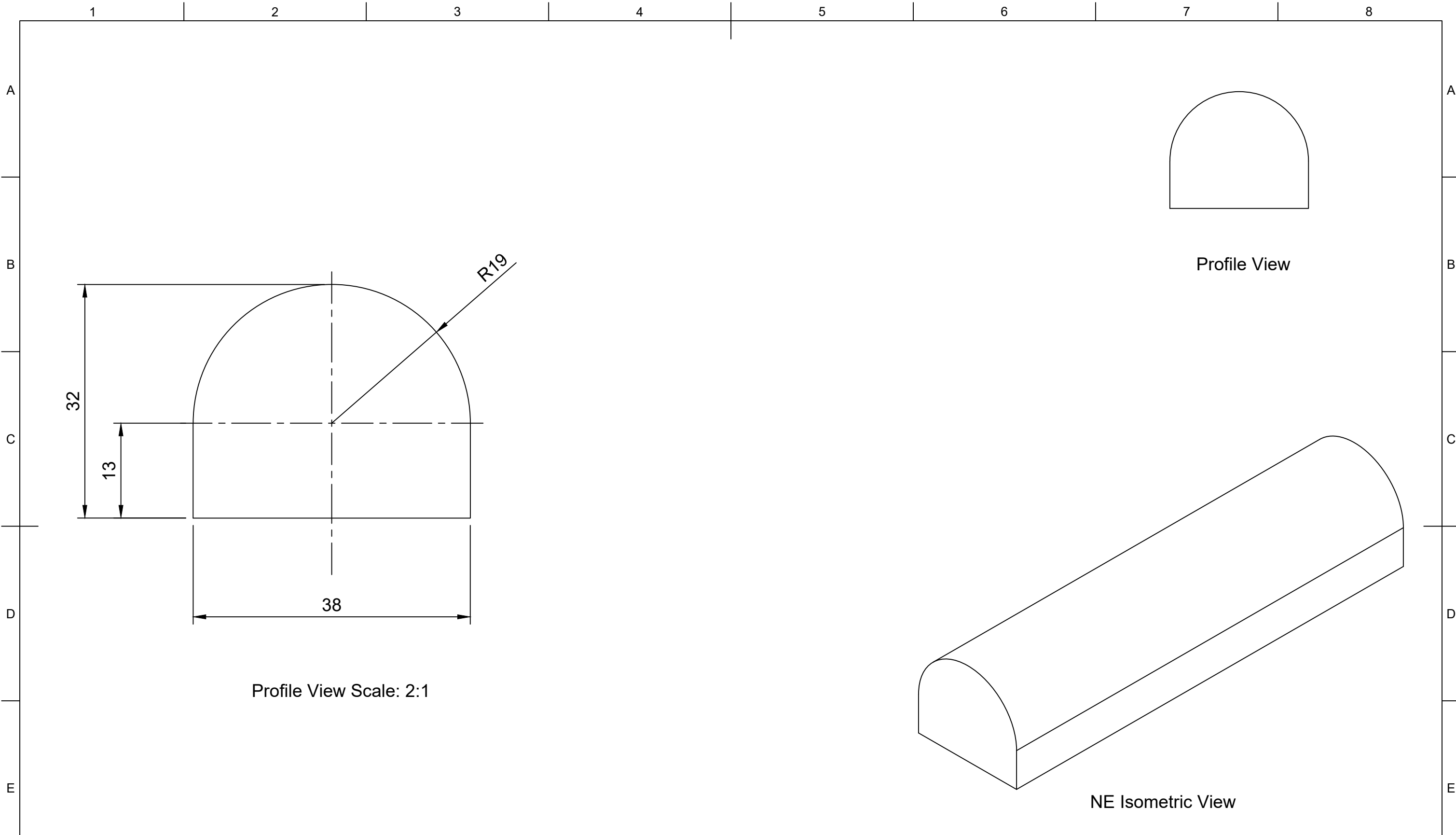



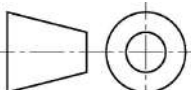
3rd Agl.

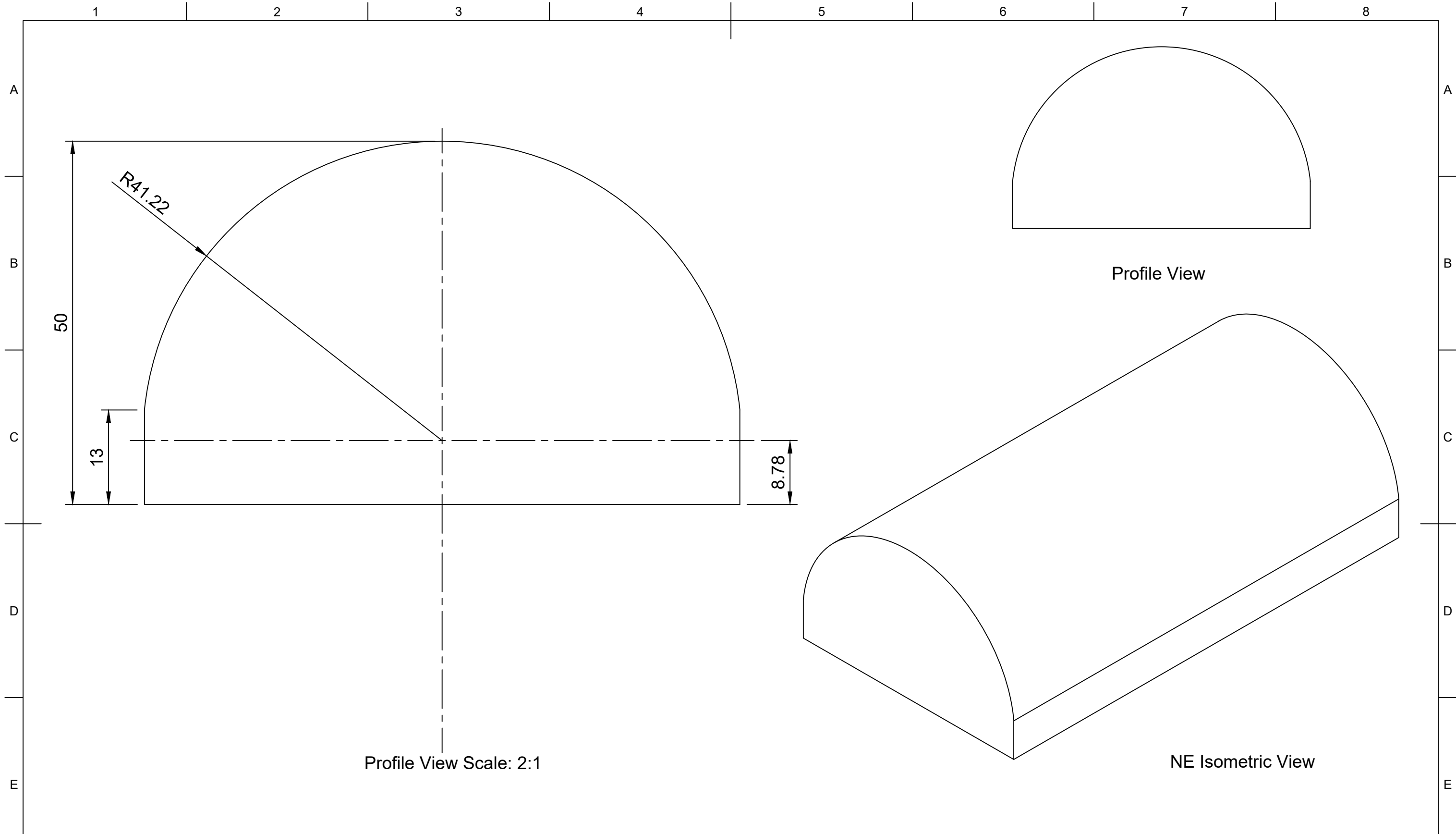
Weight (kg/m)
1.043


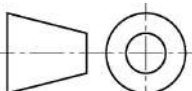


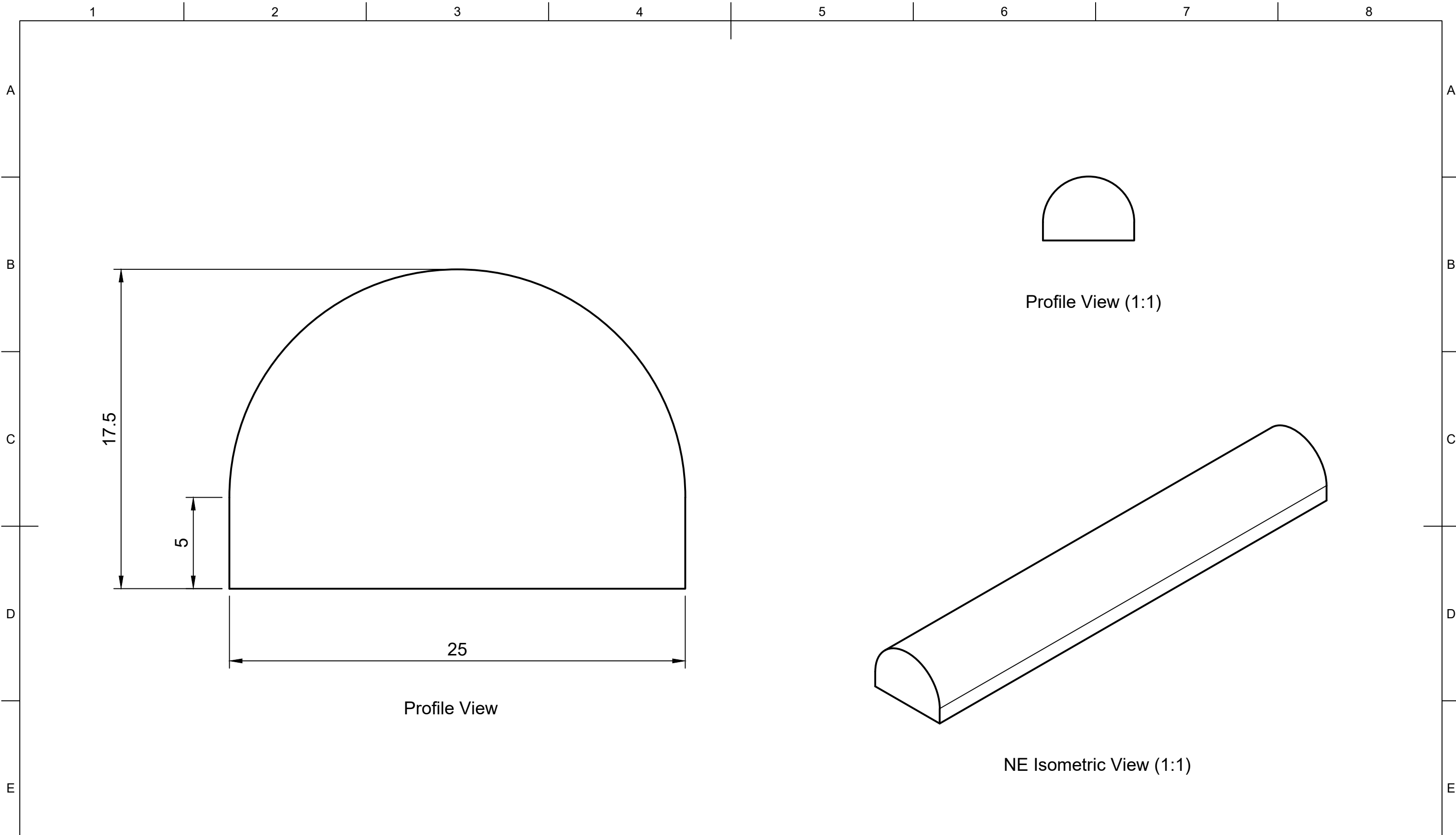
	Part Number				Created By		Cross Sectional Area (mm²)		Nominal Dimension (mm)		Tolerance, ± (mm)
	200285				David Stirling		1174		Greater Than	Less Than or Equal to	
					Date Drawn		Material		0.00	1.50	0.40
					05/05/2020		EPDM		1.50	2.50	0.50
	Description				Approved By		Hardness (Shore A)		2.50	4.00	0.70
	D Section - Solid						70		4.00	6.30	0.80
					Date of Approval		Colour		6.30	10.00	1.00
							Black		10.00	16.00	1.30
					Projection		Weight (kg/m)		16.00	25.00	1.60
	Revision	Date of Issue	Sheet Scale	Sheet Size	Sheet	3rd Agl. 	1.479		25.00	40.00	2.00
A	21/01/2022	1:1	A3	1/1				40.00	63.00	2.50	
								63.00	100.00	3.20	
								100.00		3.20%	


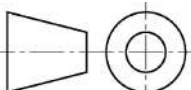


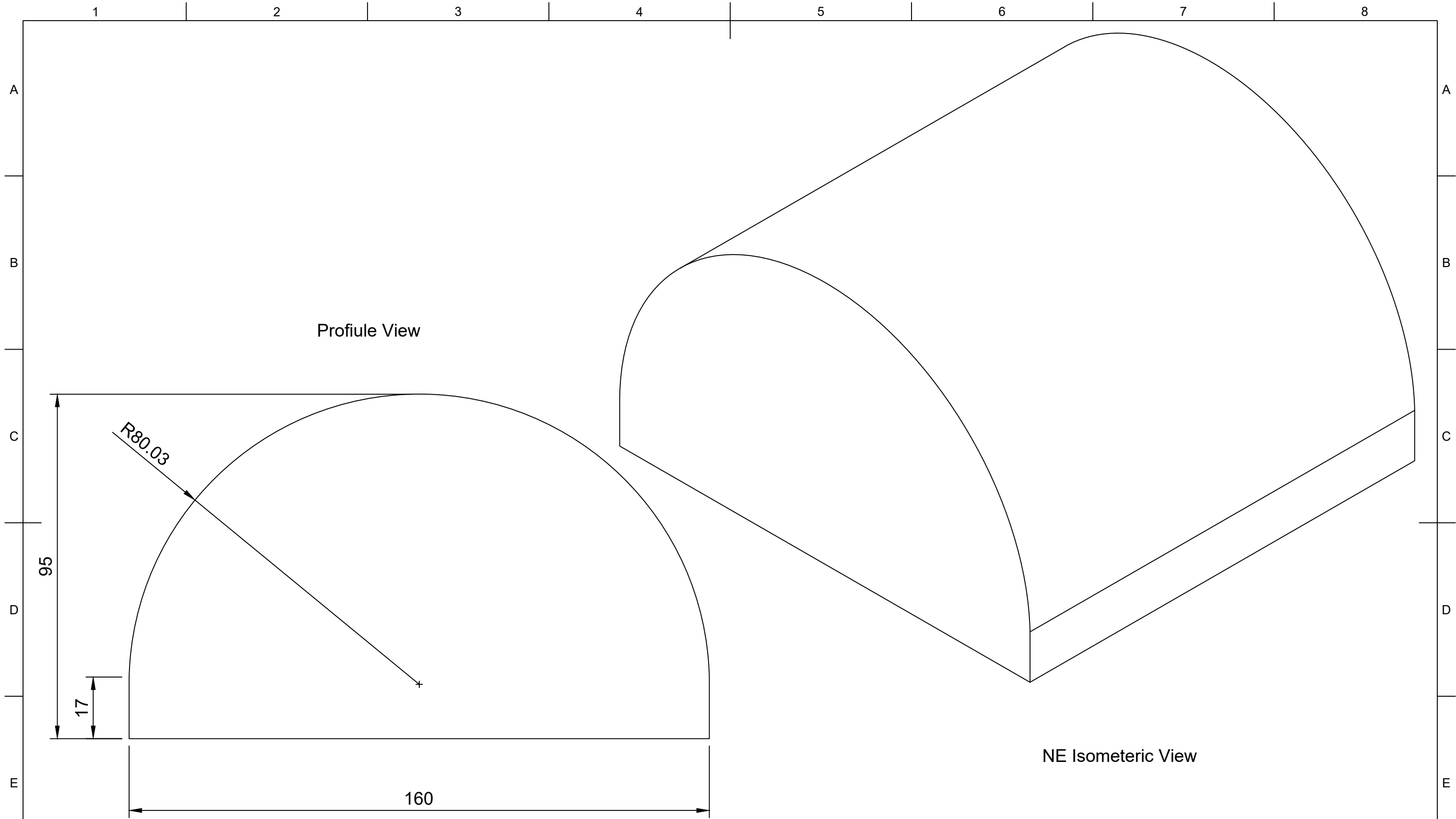
	Part Number				Created By		Cross Sectional Area (mm ²)		Nominal Dimension (mm)		Tolerance, ± (mm)
	200323				David Stirling		1061		Greater Than	Less Than or Equal to	
	Description				Date Drawn		Material		0.00		0.40
	D Section - Solid				04/05/2020		EPDM		1.50		0.50
	Revision				Approved By		Hardness (Shore A)		2.50		0.70
	Date of Issue				Date of Approval		70		4.00		0.80
	Sheet Scale				Projection		Colour		6.30		1.00
	Sheet Size				3rd Agl. 		Black		10.00		1.30
	Sheet				Weight (kg/m)		1.310		16.00		1.60
	A				21/01/2022		1:1		25.00		2.00
A3				1/1				40.00		2.50	
								63.00		3.20	
								100.00		3.20%	



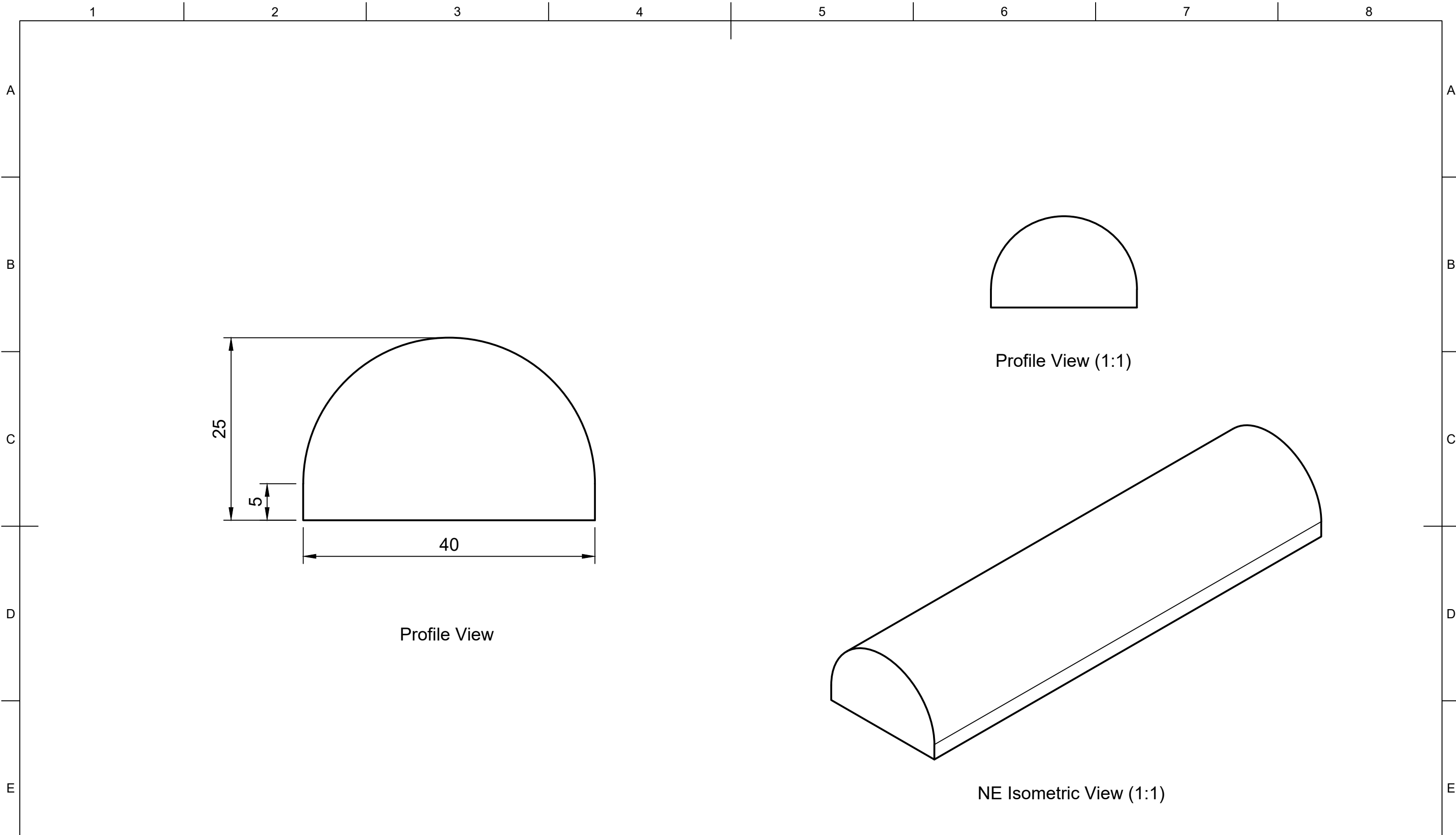
	Part Number				Created By		Cross Sectional Area (mm²)		Nominal Dimension (mm)		Tolerance, ± (mm)
	200480				David Stirling		3387		Greater Than	Less Than or Equal to	
	Description				Date Drawn		Material		0.00	1.50	0.40
	D Section - Solid				11/05/2020		EPDM		1.50	2.50	0.50
	Revision				Approved By		Hardness (Shore A)		2.50	4.00	0.70
	A	21/01/2022				70		4.00	6.30	0.80	
	Date of Issue		Sheet Scale		Sheet Size		Colour		6.30	10.00	1.00
	1:1		A3		1/1		Black		10.00	16.00	1.30
	Projection		Sheet		Date of Approval		Weight (kg/m)		16.00	25.00	1.60
	3rd Agl. 						4.268		25.00	40.00	2.00
								40.00	63.00	2.50	
								63.00	100.00	3.20	
								100.00		3.20%	




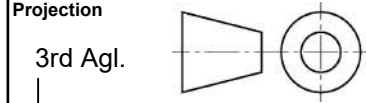
	Part Number				Created By		Cross Sectional Area (mm²)		Nominal Dimension (mm)		Tolerance, ± (mm)	
	200857				David Stirling		370		Greater Than	Less Than or Equal to		
	Description				Date Drawn		Material		0.00		0.40	
	D Section - Solid				20/01/2022		Neoprene		1.50		0.50	
	Revision				Approved By		Hardness (Shore A)		2.50		0.70	
	A	20/01/2022		5:1		Date of Approval		70		4.00		0.80
	Date of Issue		Sheet Scale		Sheet Size		Colour		6.30		1.00	
	20/01/2022		5:1		A3		Black		10.00		1.30	
	Sheet		Projection		3rd Agl. 		Weight (g/m)		16.00		1.60	
	1/1		3rd Agl.				560		25.00		2.00	
							40.00		2.50			
							63.00		3.20			
								100.00		3.20%		

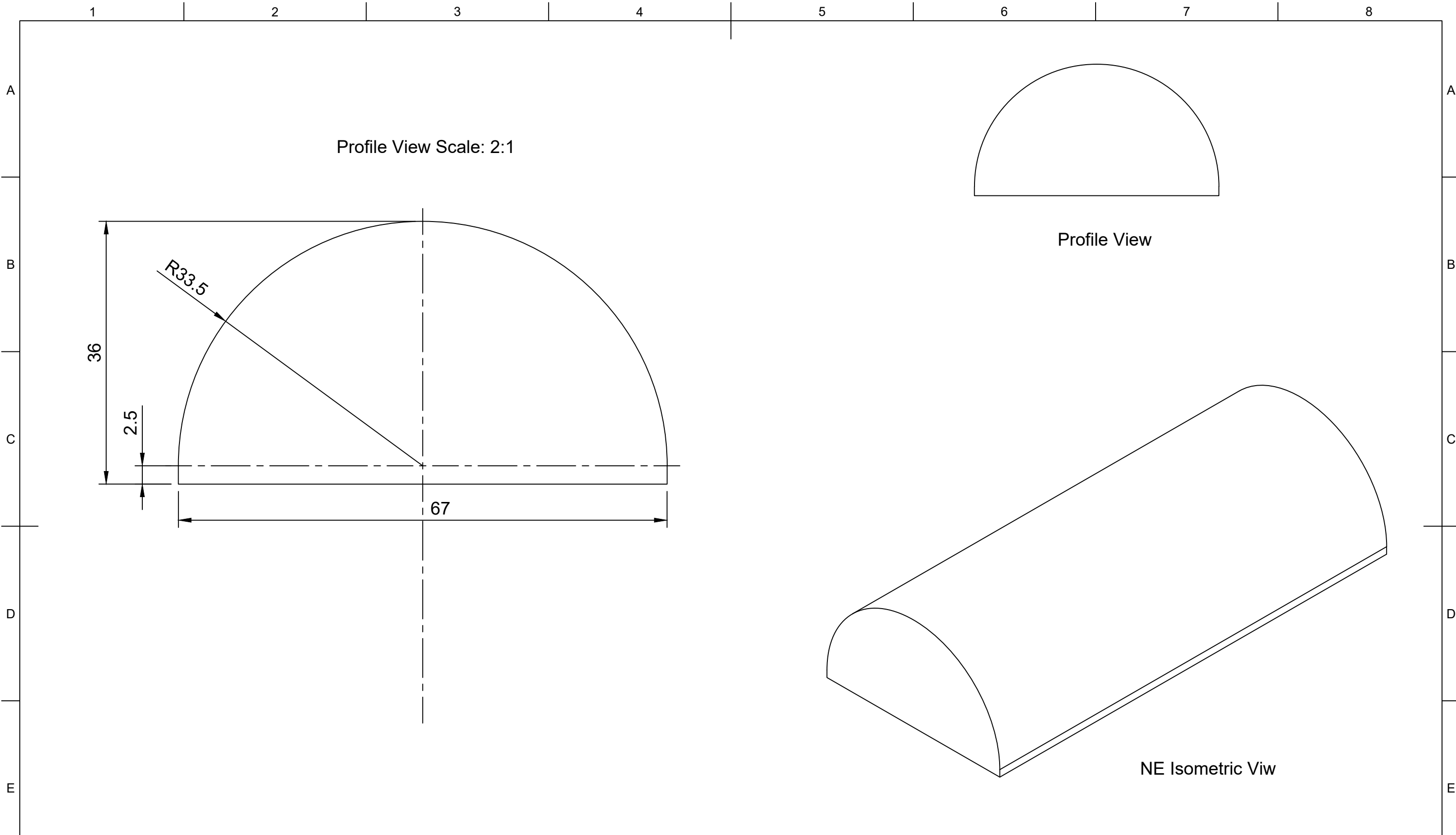



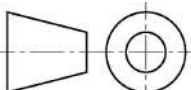
Part Number		200991			Created By		David Stirling		Cross Sectional Area (mm ²)		12455		Nominal Dimension (mm)		Tolerance, ± (mm)
					Date Drawn		01/05/2020		Material		EPDM		Greater Than	Less Than or Equal to	
Description		D Section - Solid			Approved By				Hardness (Shore A)		70		1.50	2.50	0.50
					Date of Approval				Colour		Black		2.50	4.00	0.70
Revision	Date of Issue	Sheet Scale	Sheet Size	Sheet	Projection	3rd Agl.		Weight (kg/m)		15.450		4.00	6.30	0.80	
A	20/01/2022	1:1	A3	1/1	6.30							10.00	1.00		
												10.00	16.00	1.30	
												16.00	25.00	1.60	
												25.00	40.00	2.00	
												40.00	63.00	2.50	
												63.00	100.00	3.20	
												100.00		3.20%	

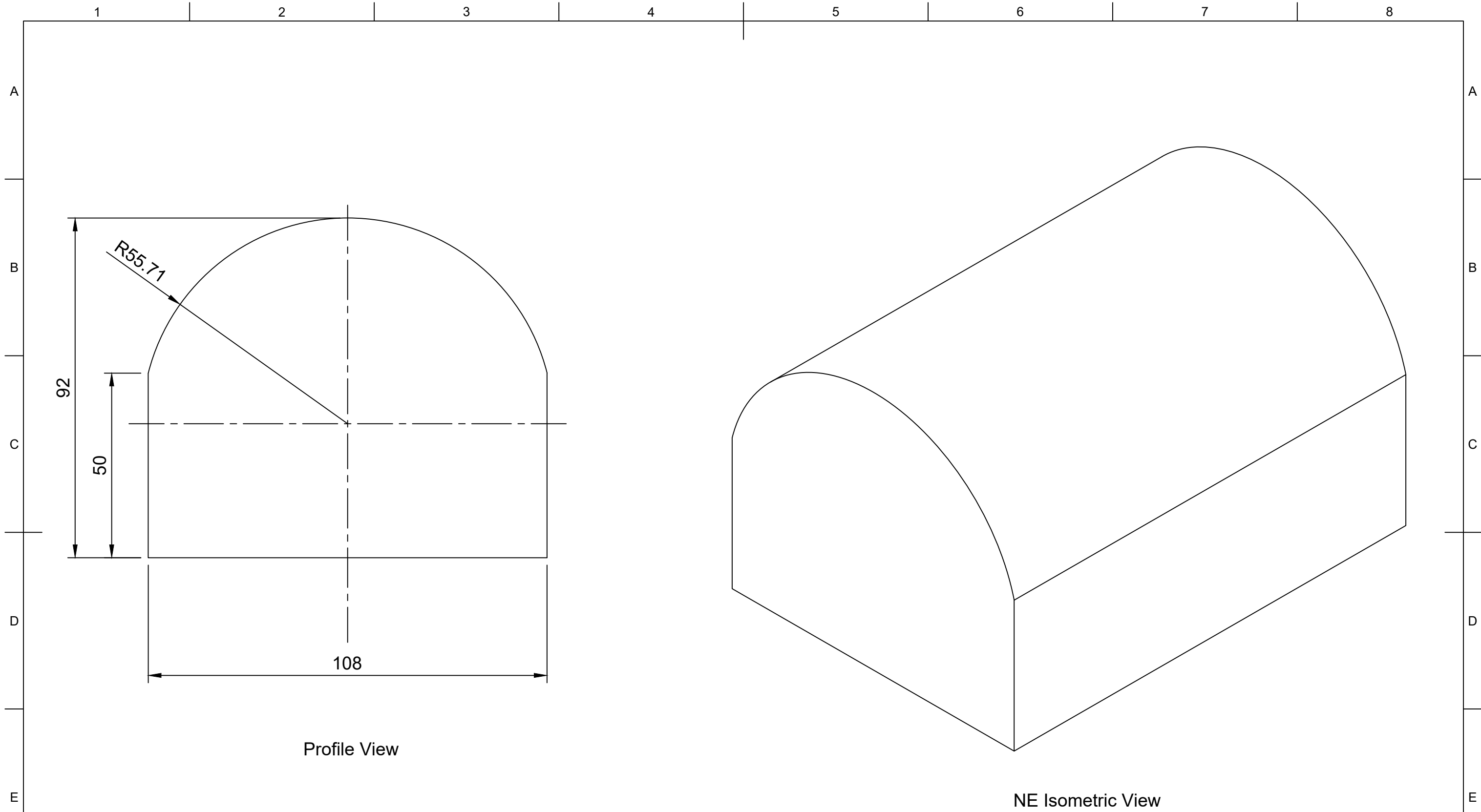


	Part Number				Created By		Cross Sectional Area (mm²)		Nominal Dimension (mm)		Tolerance, ± (mm)	
	201034				David Stirling		828		Greater Than	Less Than or Equal to		
	Description				Date Drawn		Material		0.00	1.50	0.40	
	D Section - Solid				21/01/2022		Neoprene		1.50	2.50	0.50	
	Revision				Approved By		Hardness (Shore A)		2.50	4.00	0.70	
	A	21/01/2022		Sheet Scale		Date of Approval		70		4.00	6.30	0.80
		21/01/2022		2:1		Date of Approval		Black		6.30	10.00	1.00
		21/01/2022		A3		Date of Approval		Black		10.00	16.00	1.30
		21/01/2022		1/1		Date of Approval		Black		16.00	25.00	1.60
		21/01/2022		1/1		Date of Approval		Black		25.00	40.00	2.00
	21/01/2022		1/1		Date of Approval		Black		40.00	63.00	2.50	
	21/01/2022		1/1		Date of Approval		Black		63.00	100.00	3.20	
	21/01/2022		1/1		Date of Approval		Black		100.00	---	3.20%	




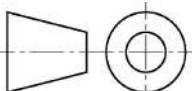


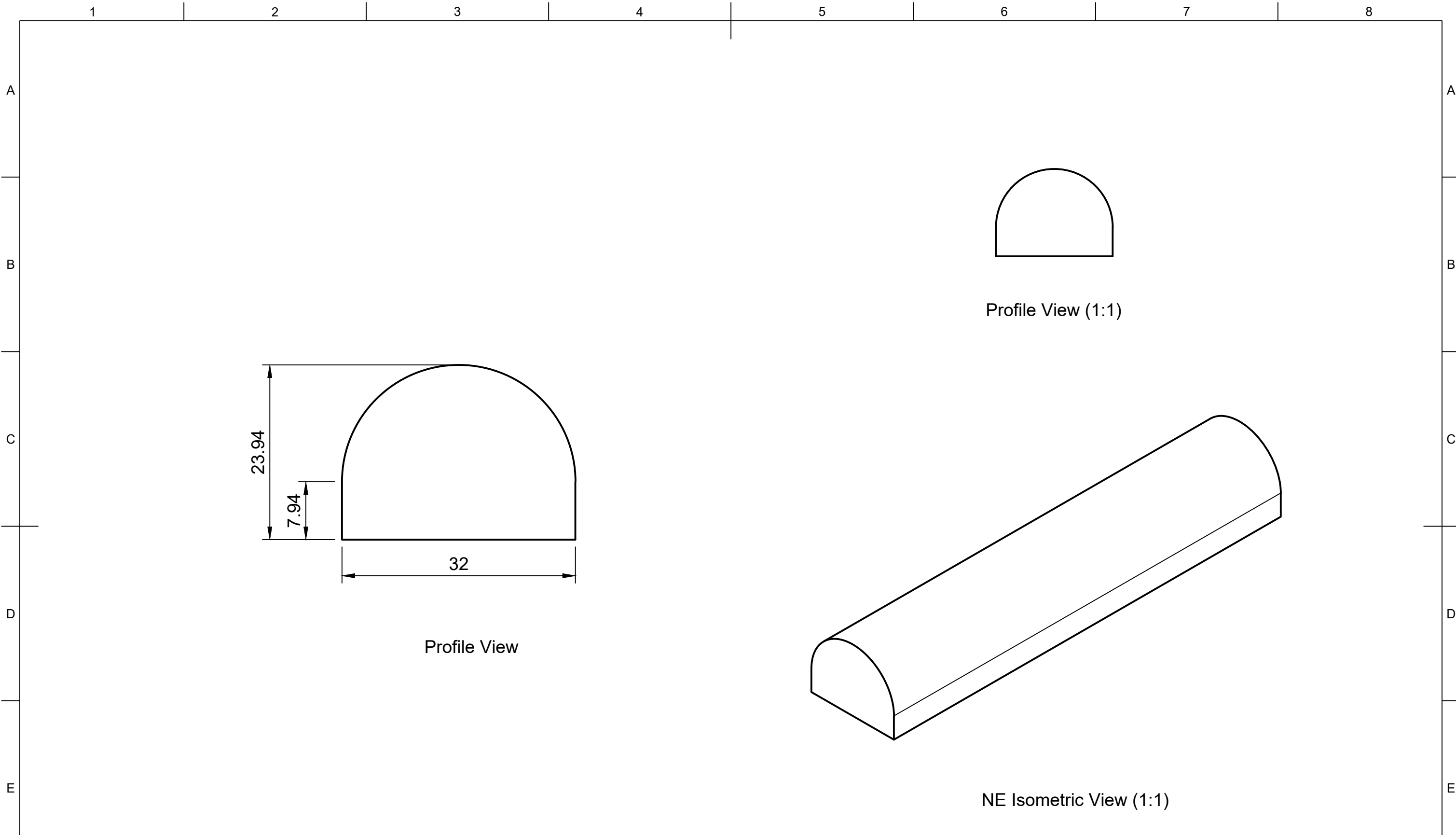
	Part Number				Created By		Cross Sectional Area (mm ²)		Nominal Dimension (mm)		Tolerance, ± (mm)
	D6342				David Stirling		1930		Greater Than	Less Than or Equal to	
	Description				Date Drawn		Material		0.00		0.40
	D Section - Solid				06/05/2020		EPDM		1.50		0.50
	Revision				Approved By		Hardness (Shore A)		2.50		0.70
	Date of Issue				Date of Approval		70		4.00		0.80
	Sheet Scale				Projection		Colour		6.30		1.00
	Sheet Size				3rd Agl. 		Black		10.00		1.30
	Sheet				Weight (kg/m)		2.432		16.00		1.60
	A				21/01/2022		1:1		25.00		2.00
A3				1/1				40.00		2.50	
								63.00		3.20	
								100.00		3.20%	



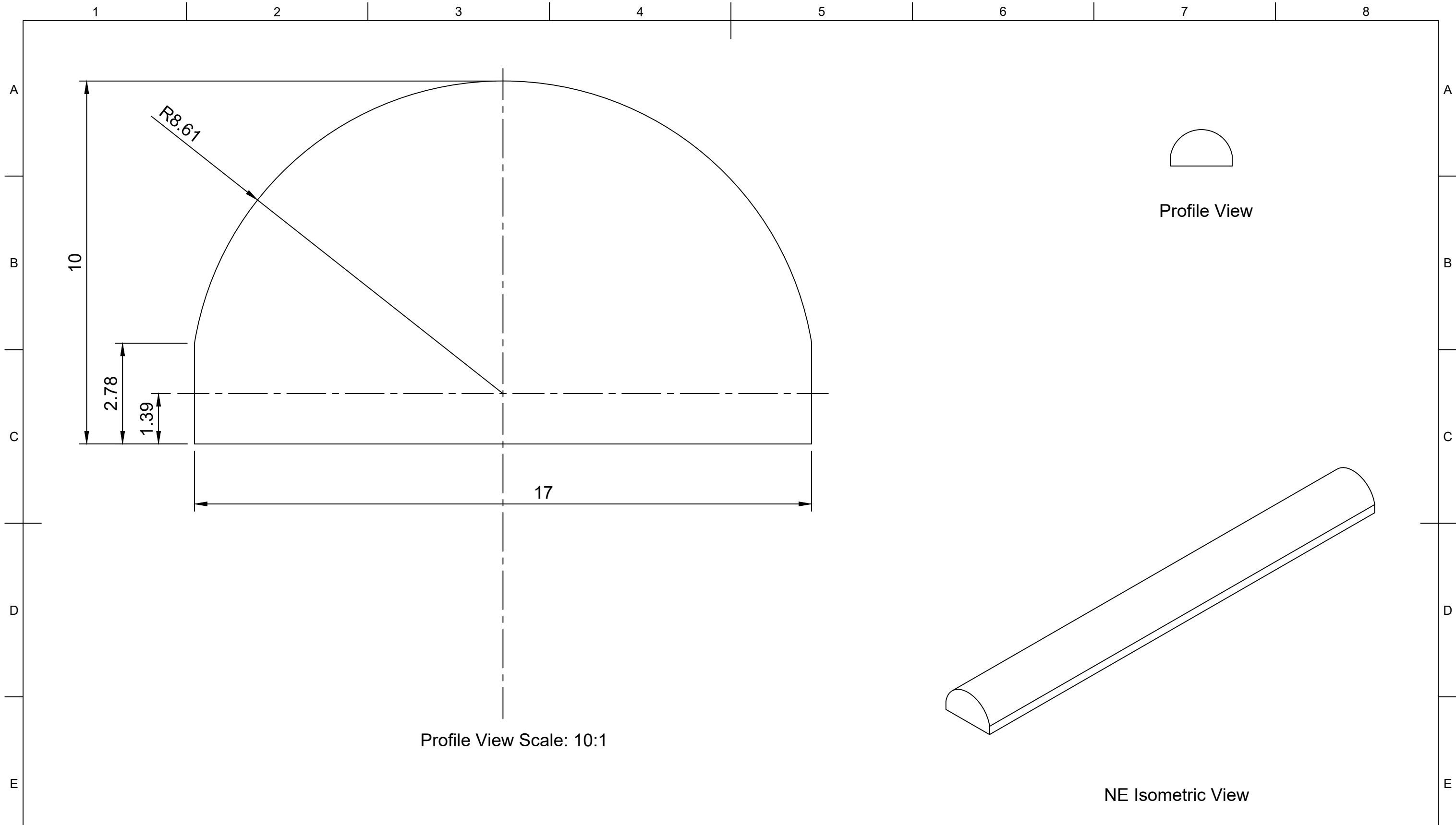
Profile View

NE Isometric View

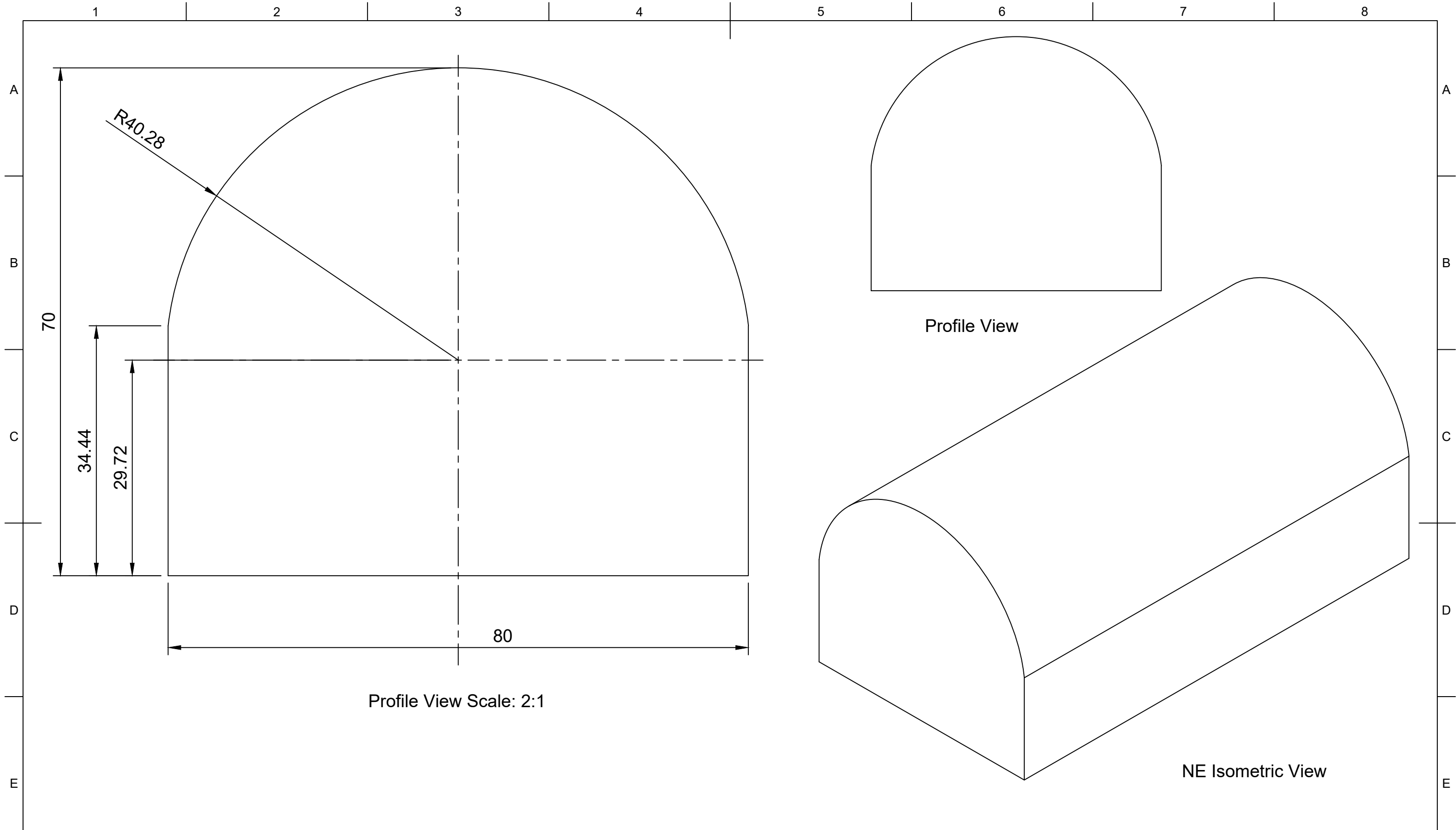
	Part Number				Created By		Cross Sectional Area (mm ²)		Nominal Dimension (mm)		Tolerance, ± (mm)
	202276				David Stirling		8763		Greater Than	Less Than or Equal to	
					Date Drawn		Material		0.00	1.50	0.40
	Description				29/04/2020		EPDM		1.50	2.50	0.50
					Approved By		Hardness (Shore A)		2.50	4.00	0.70
					Date of Approval		70		4.00	6.30	0.80
					Colour		Black		6.30	10.00	1.00
	Revision				Date of Issue		Weight (kg/m)		10.00	16.00	1.30
					19/01/2022		10.780		16.00	25.00	1.60
					Sheet Scale		Projection		25.00	40.00	2.00
1:1					3rd Agl. 		40.00	63.00	2.50		
Sheet Size		Sheet		63.00	100.00	3.20			3.20%		
A3		1/1		100.00							


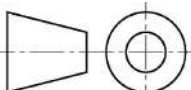


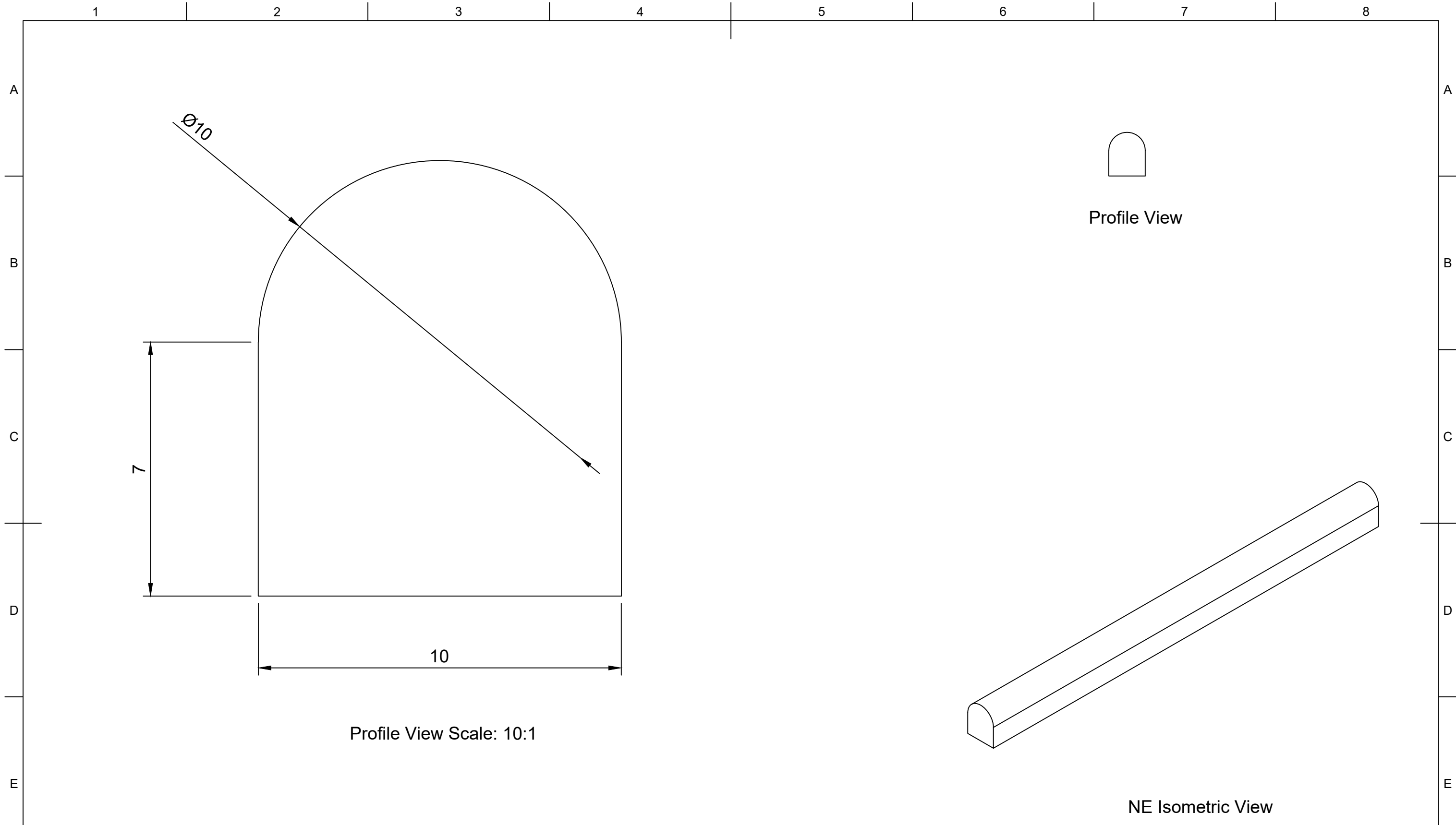
	Part Number				Created By		Cross Sectional Area (mm²)		Nominal Dimension (mm)		Tolerance, ± (mm)
	202694				David Stirling		656		Greater Than	Less Than or Equal to	
	Description				Date Drawn		Material		0.00	1.50	0.40
	D Section - Solid				21/01/2022		Neoprene		1.50	2.50	0.50
	Revision				Approved By		Hardness (Shore A)		2.50	4.00	0.70
	A	Date of Issue		Sheet Scale	Sheet Size	Sheet	70		4.00	6.30	0.80
				2:1	A3	1/1	Date of Approval		6.30	10.00	1.00
							3rd Agl.		10.00	16.00	1.30
							Weight (g/m)		16.00	25.00	1.60
							997		25.00	40.00	2.00
								40.00	63.00	2.50	
								63.00	100.00	3.20	
								100.00		3.20%	


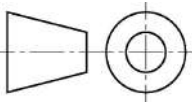


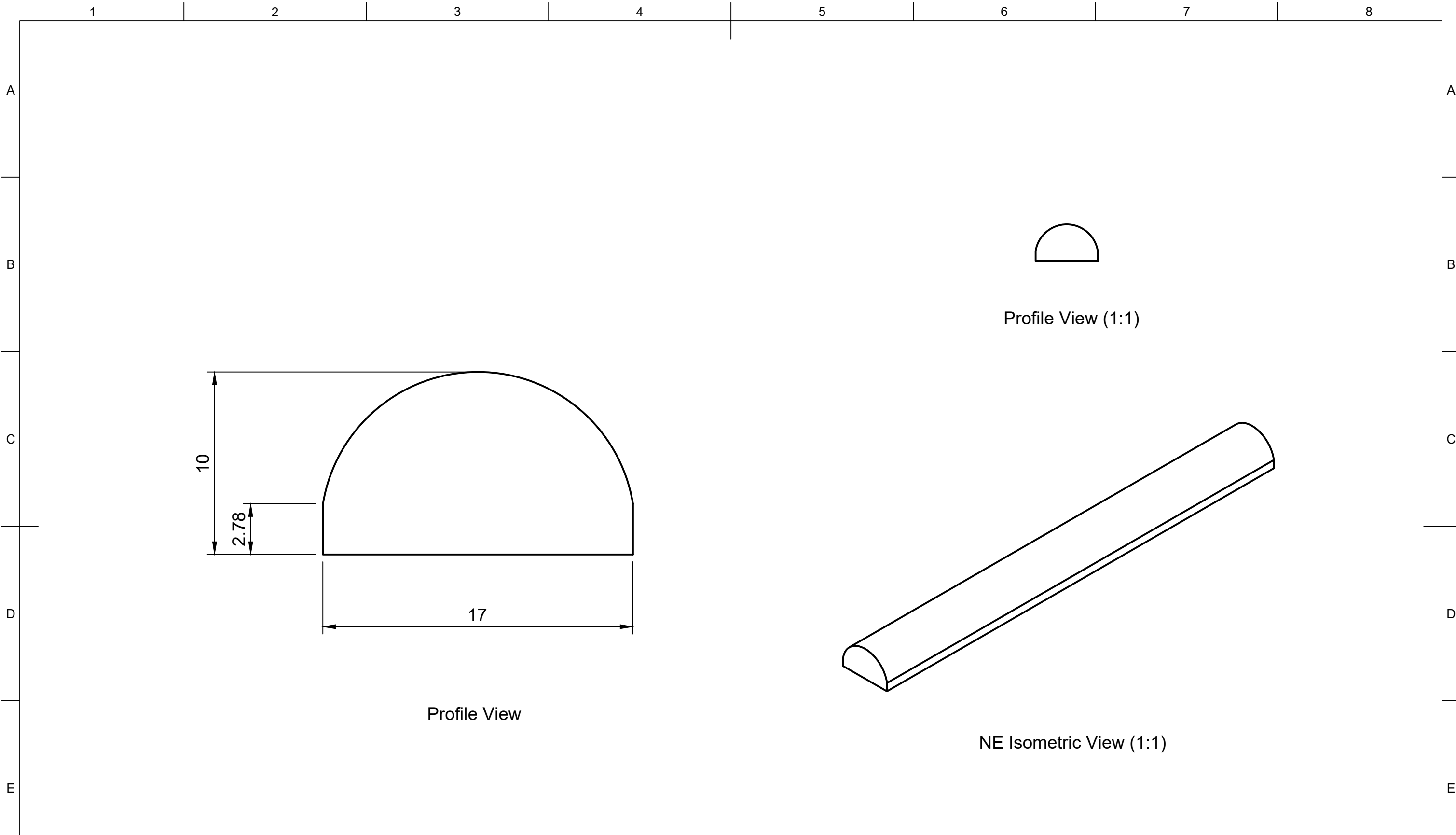
WALKERRUBBER LTD	Part Number				Created By		Cross Sectional Area (mm²)		Nominal Dimension (mm)		Tolerance, ± (mm)
	203561				David Stirling		140		Greater Than	Less Than or Equal to	
	Description				Date Drawn		Material		0.00	1.50	0.40
	D Section - Solid				01/05/2020		EPDM		1.50	2.50	0.50
	Revision				Approved By		Hardness (Shore A)		2.50	4.00	0.70
	A	Date of Issue		Sheet Scale	Sheet Size	Sheet	Date of Approval		4.00	6.30	0.80
		20/01/2022		1:1	A3	1/1	3rd Agl.		6.30	10.00	1.00
							Colour		10.00	16.00	1.30
							Black		16.00	25.00	1.60
							Weight (g/m)		25.00	40.00	2.00
						128		40.00	63.00	2.50	
								63.00	100.00	3.20	
								100.00		3.20%	



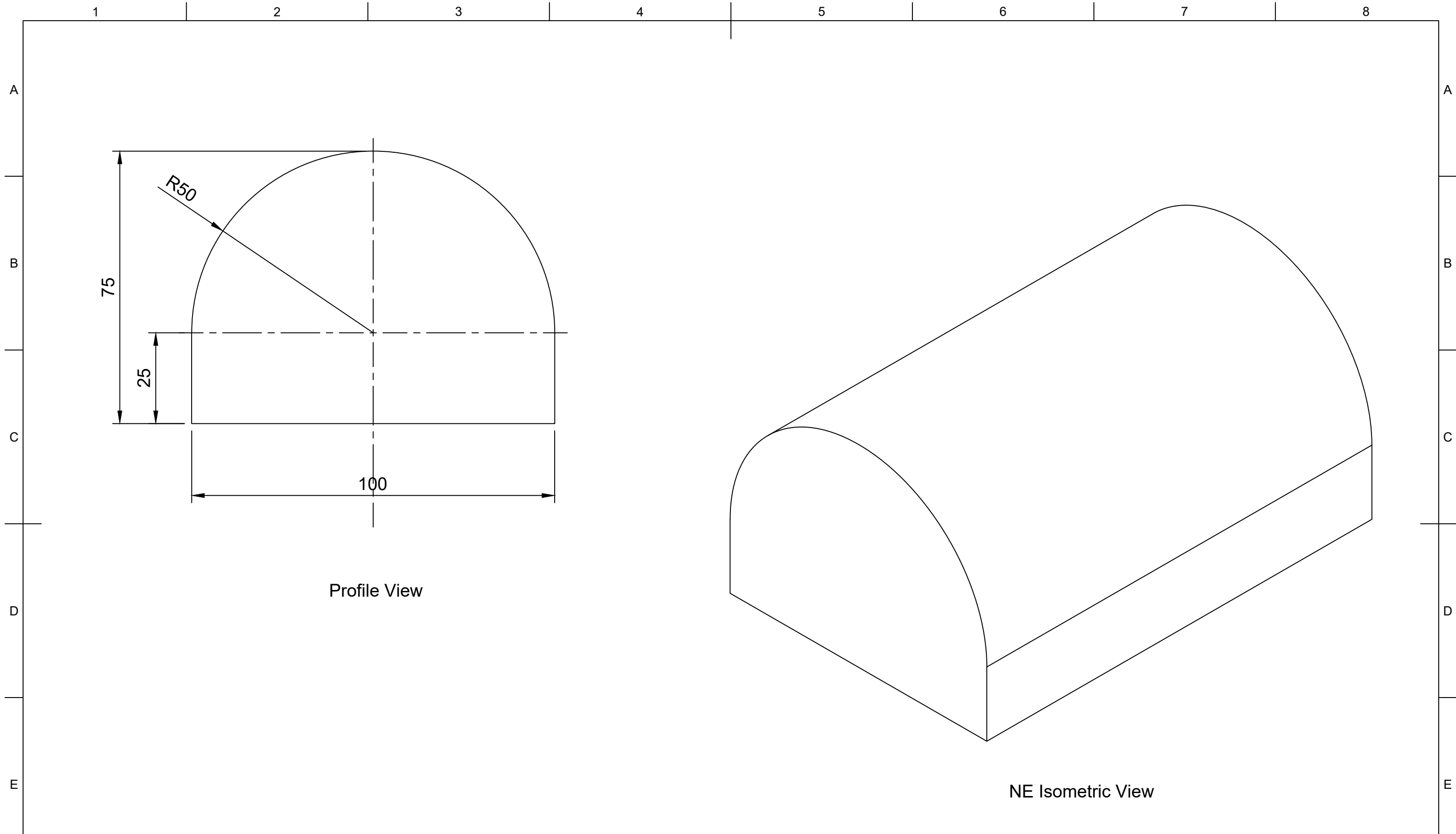
	Part Number				Created By		Cross Sectional Area (mm ²)		Nominal Dimension (mm)		Tolerance, ± (mm)
	204830				David Stirling		4924		Greater Than	Less Than or Equal to	
	Description				Date Drawn		Material		0.00		0.40
	D Section - Solid				07/05/2020		EPDM		1.50		0.50
	Revision				Approved By		Hardness (Shore A)		2.50		0.70
	Date of Issue				Date of Approval		70		4.00		0.80
	Sheet Scale				Projection		Colour		6.30		1.00
	Sheet Size				3rd Agl. 		Black		10.00		1.30
	Sheet				Weight (kg/m)		6.204		16.00		1.60
	A				21/01/2022		1:1		25.00		2.00
A3				1/1		100.00		40.00		2.50	
								63.00		3.20	
								100.00		3.20%	


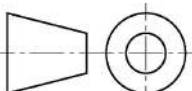


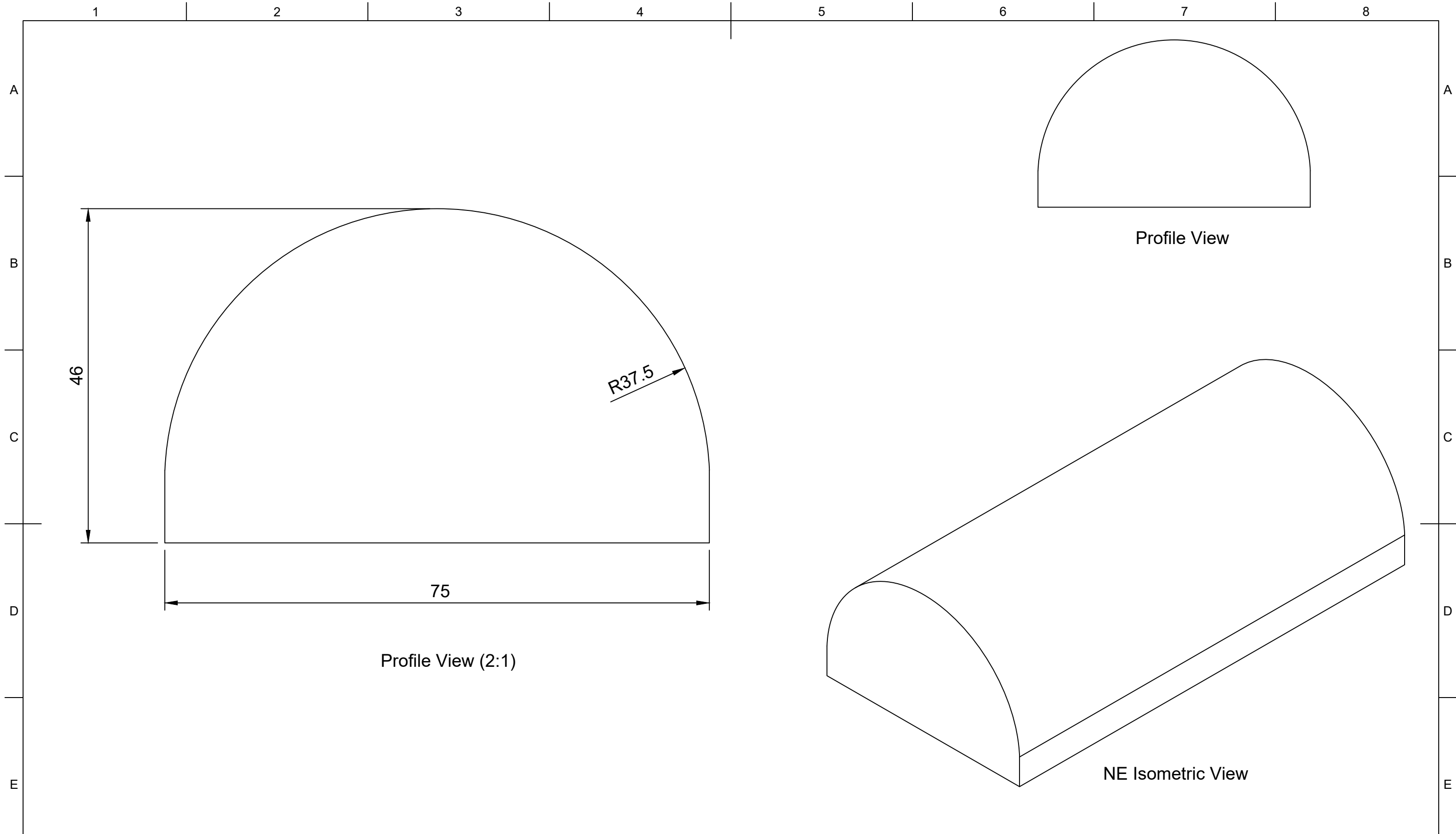
	Part Number				Created By		Cross Sectional Area (mm²)		Nominal Dimension (mm)		Tolerance, ± (mm)
	204975				David Stirling		109		Greater Than	Less Than or Equal to	
	Description				Date Drawn		Material		0.00	1.50	0.40
	D Section - Solid				29/04/2020		Nitrile		1.50	2.50	0.50
	Revision				Approved By		Hardness (Shore A)		2.50	4.00	0.70
	A	Date of Issue		Sheet Scale	Sheet Size	Sheet	Date of Approval		4.00	6.30	0.80
		19/01/2022		1:1	A3	1/1	Colour		6.30	10.00	1.00
							Weight (g/m)		10.00	16.00	1.30
							3rd Agl. 		16.00	25.00	1.60
									25.00	40.00	2.00
								40.00	63.00	2.50	
								63.00	100.00	3.20	
								100.00		3.20%	


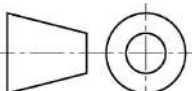


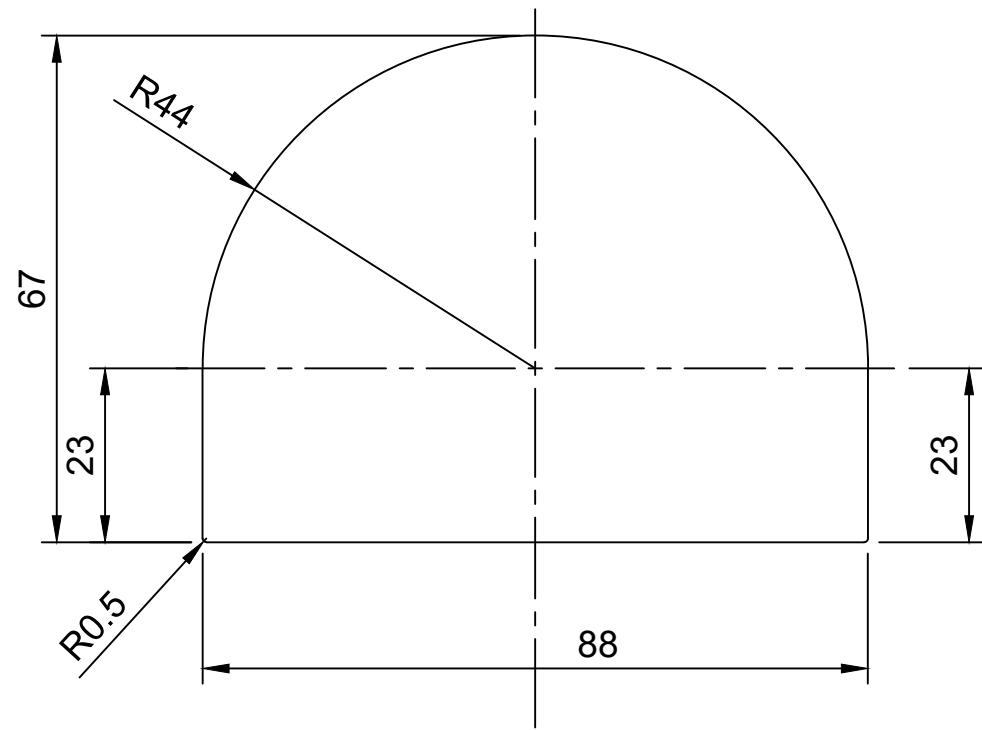
	Part Number				Created By		Cross Sectional Area (mm²)		Nominal Dimension (mm)		Tolerance, ± (mm)	
	205655				David Stirling		140		Greater Than	Less Than or Equal to		
					Date Drawn		Material		0.00	1.50	0.40	
					20/01/2022		Neoprene		1.50	2.50	0.50	
	Description				Approved By		Hardness (Shore A)		2.50	4.00	0.70	
	D Section - Solid						70		4.00	6.30	0.80	
					Date of Approval		Colour		6.30	10.00	1.00	
							Black		10.00	16.00	1.30	
							Weight (g/m)		16.00	25.00	1.60	
							172		25.00	40.00	2.00	
Revision	Date of Issue	Sheet Scale	Sheet Size	Sheet	Projection			40.00	63.00	2.50		
A	20/01/2022	5:1	A3	1/1	3rd Agl.			63.00	100.00	3.20		
								100.00	---	3.20%		



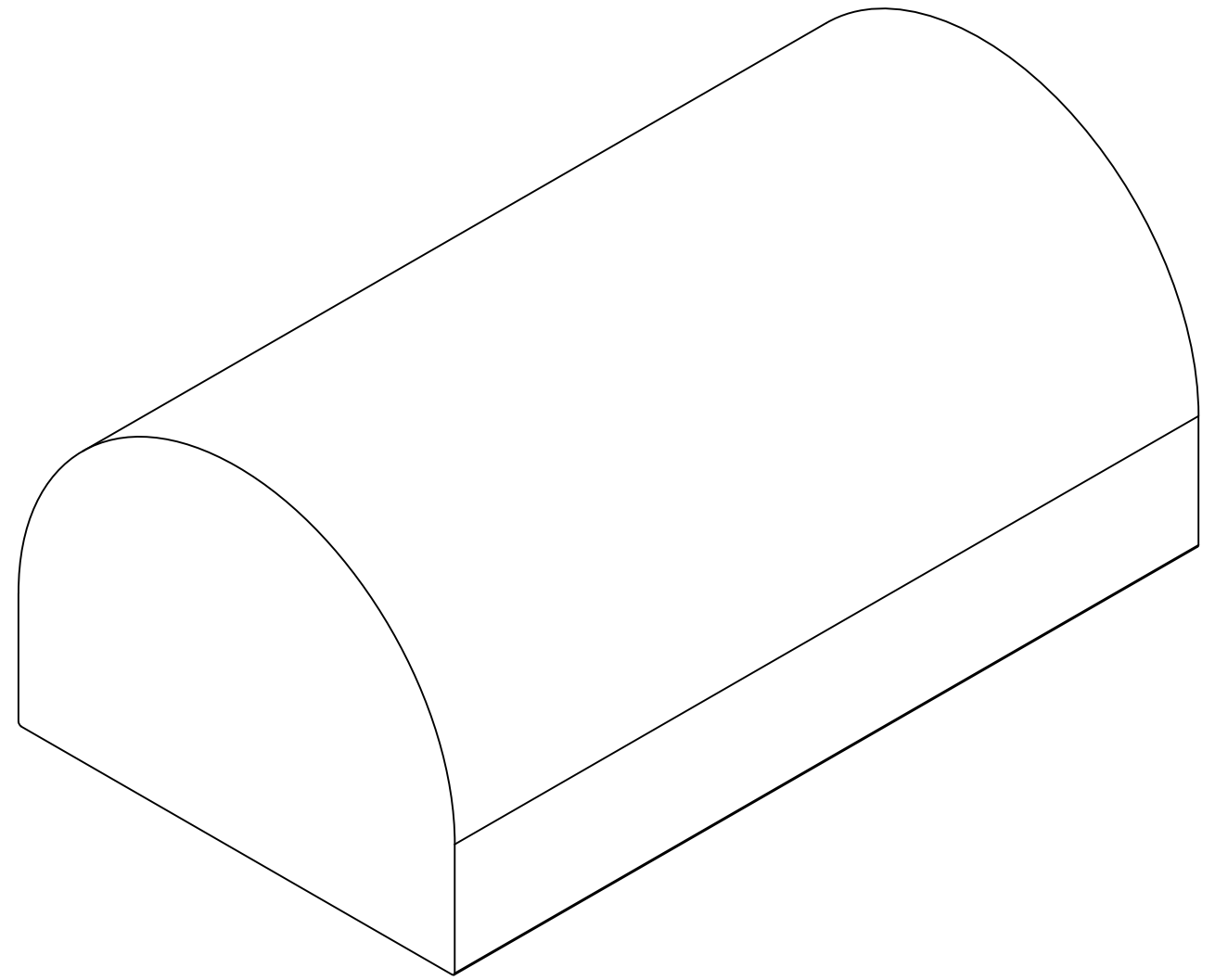
	Part Number				Created By		Cross Sectional Area (mm²)		Nominal Dimension (mm)		Tolerance, ± (mm)
	206347				David Stirling		6247		Greater Than	Less Than or Equal to	
	Description				Date Drawn		Material		0.00	1.50	0.40
					29/04/2020		EPDM		1.50	2.50	0.50
	D Section - Solid				Approved By		Hardness (Shore A)		2.50	4.00	0.70
					Date of Approval		70		4.00	6.30	0.80
							Black		6.30	10.00	1.00
	Revision	Date of Issue	Sheet Scale	Sheet Size	Sheet	Projection	Weight (kg/m)		10.00	16.00	1.30
	A	19/01/2022	1:1	A3	1/1	3rd Agl. 	8.100		16.00	25.00	1.60
									25.00	40.00	2.00
								40.00	63.00	2.50	
								63.00	100.00	3.20	
								100.00		3.20%	



	Part Number				Created By		Cross Sectional Area (mm²)		Nominal Dimension (mm)		Tolerance, ± (mm)
	206751				Isaac Erskine		2848		Greater Than	Less Than or Equal to	
	Description				Date Drawn		Material		0.00	1.50	0.40
	D Section - Solid				15/11/2022		EPDM		1.50	2.50	0.50
	Revision				Approved By		Hardness (Shore A)		2.50	4.00	0.70
	B	15/11/2022		Kevin George		70		4.00	6.30	0.80	
	Date of Issue				Date of Approval		Colour		6.30	10.00	1.00
	15/11/2022				15/11/2022		Black		10.00	16.00	1.30
	Sheet Scale				Projection		Weight (kg/m)		16.00	25.00	1.60
	1:1				3rd Agl. 		3.588		25.00	40.00	2.00
Sheet Size								40.00	63.00	2.50	
A3								63.00	100.00	3.20	
Sheet								100.00		3.20%	
1/1											



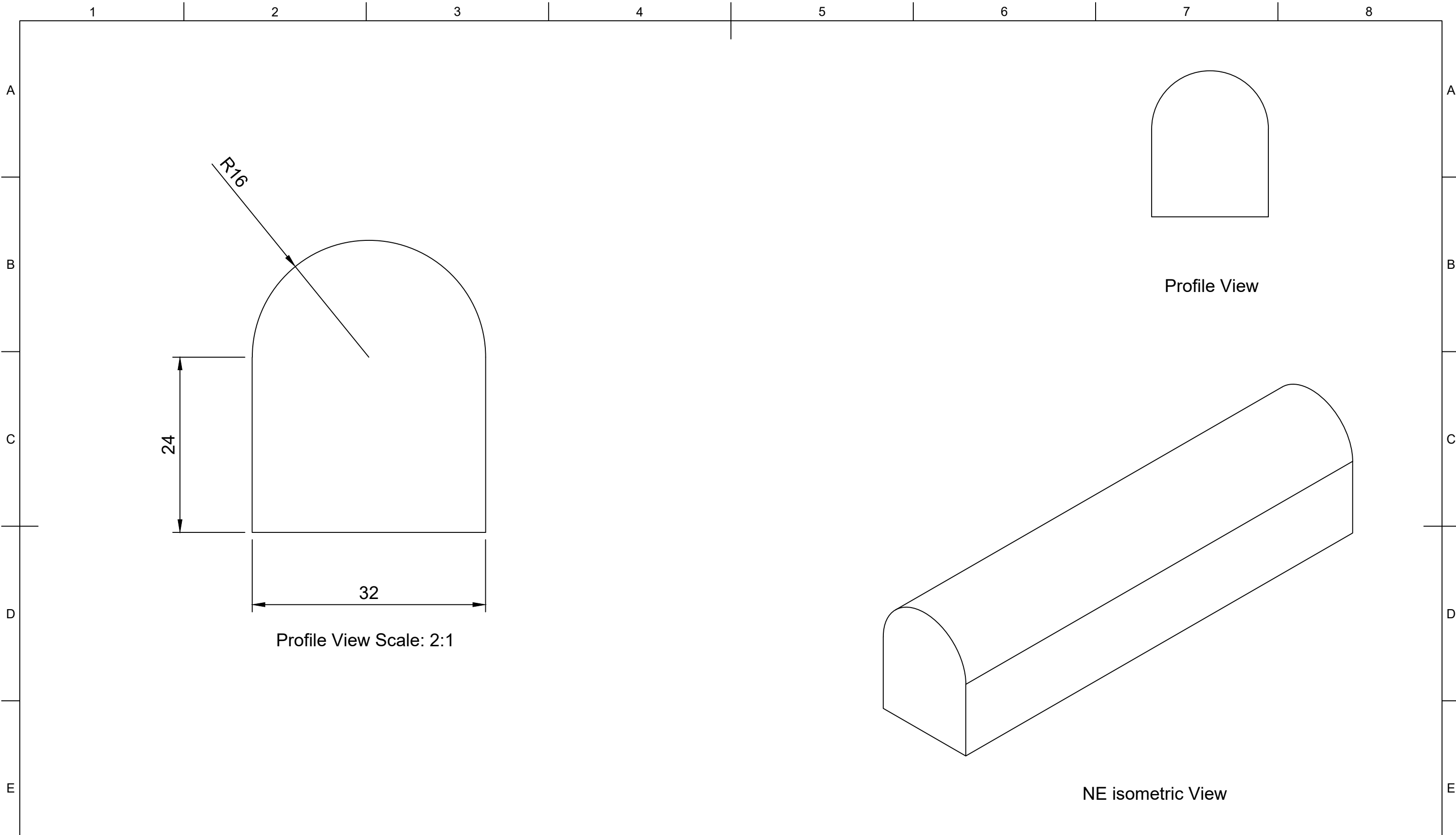
Profile View



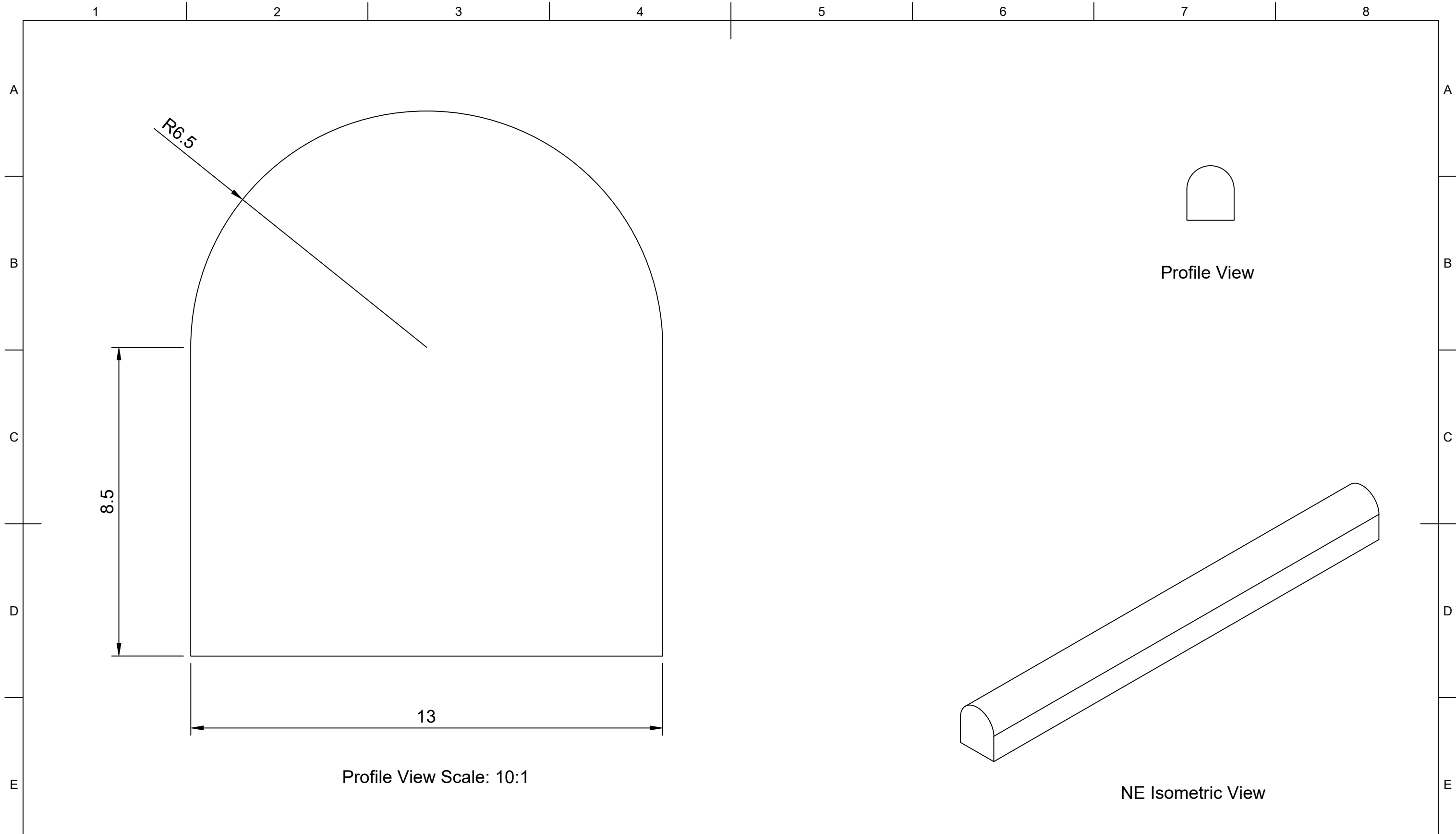
NE Isometric View


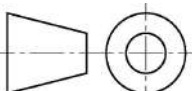


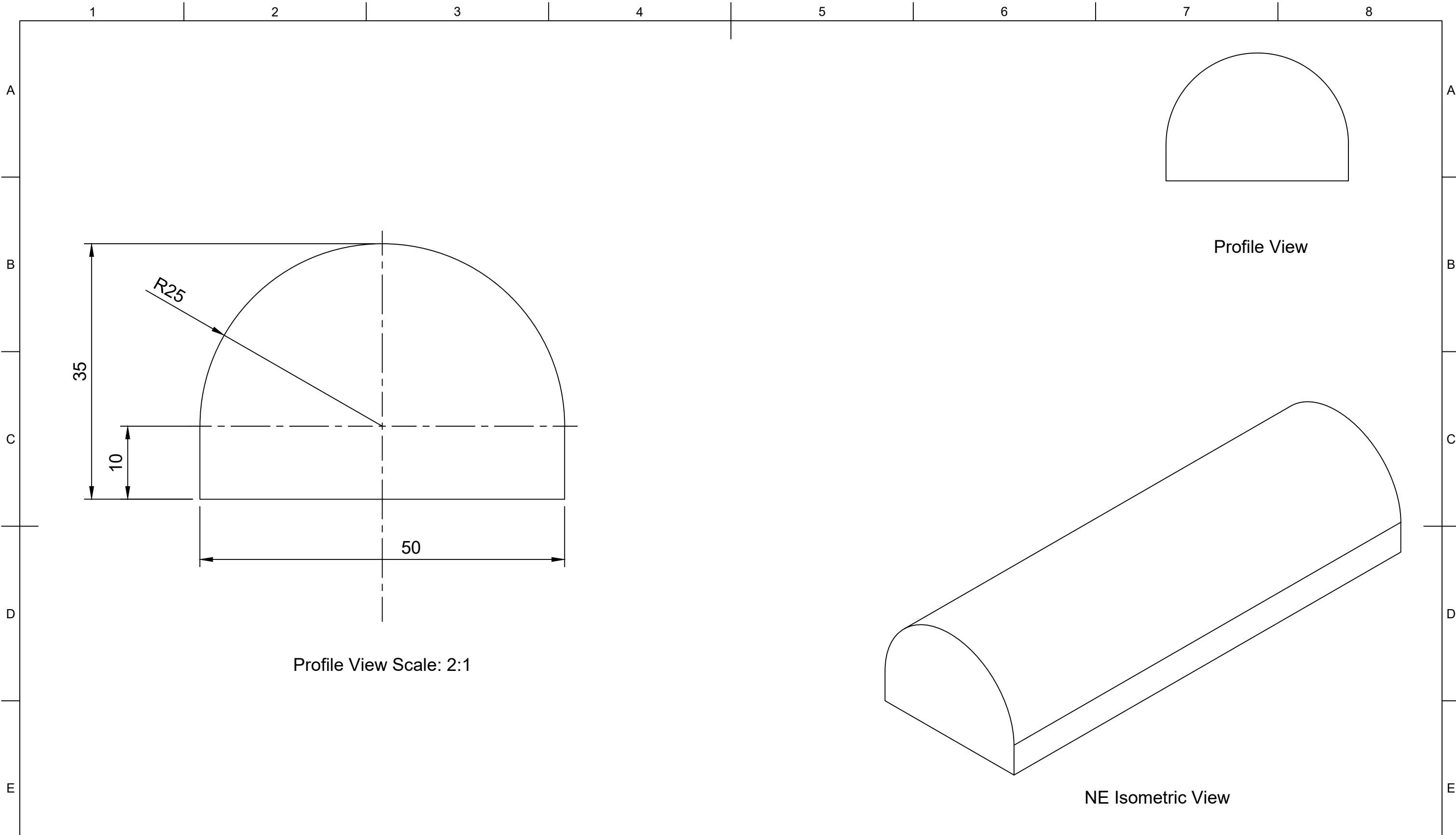
Part Number	206759				Created By	David Stirling	Cross Sectional Area (mm ²)	5065		Nominal Dimension (mm)		Tolerance, ± (mm)
					Date Drawn	11/05/2020	Material	EPDM	Greater Than	Less Than or Equal to	0.00	
Description	D Section - Solid				Approved By		Hardness (Shore A)	70		1.50	2.50	0.50
					Date of Approval		Colour	Black	2.50	4.00	0.70	
					Weight (kg/m)	6.328		4.00	6.30	0.80		
					25.00	40.00	2.00					
Revision	Date of Issue	Sheet Scale	Sheet Size	Sheet	Projection	3rd Agl.	63.00	100.00	3.20			
A	21/01/2022	1:1	A3	1/1	100.00			3.20%				


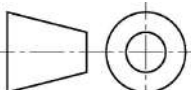


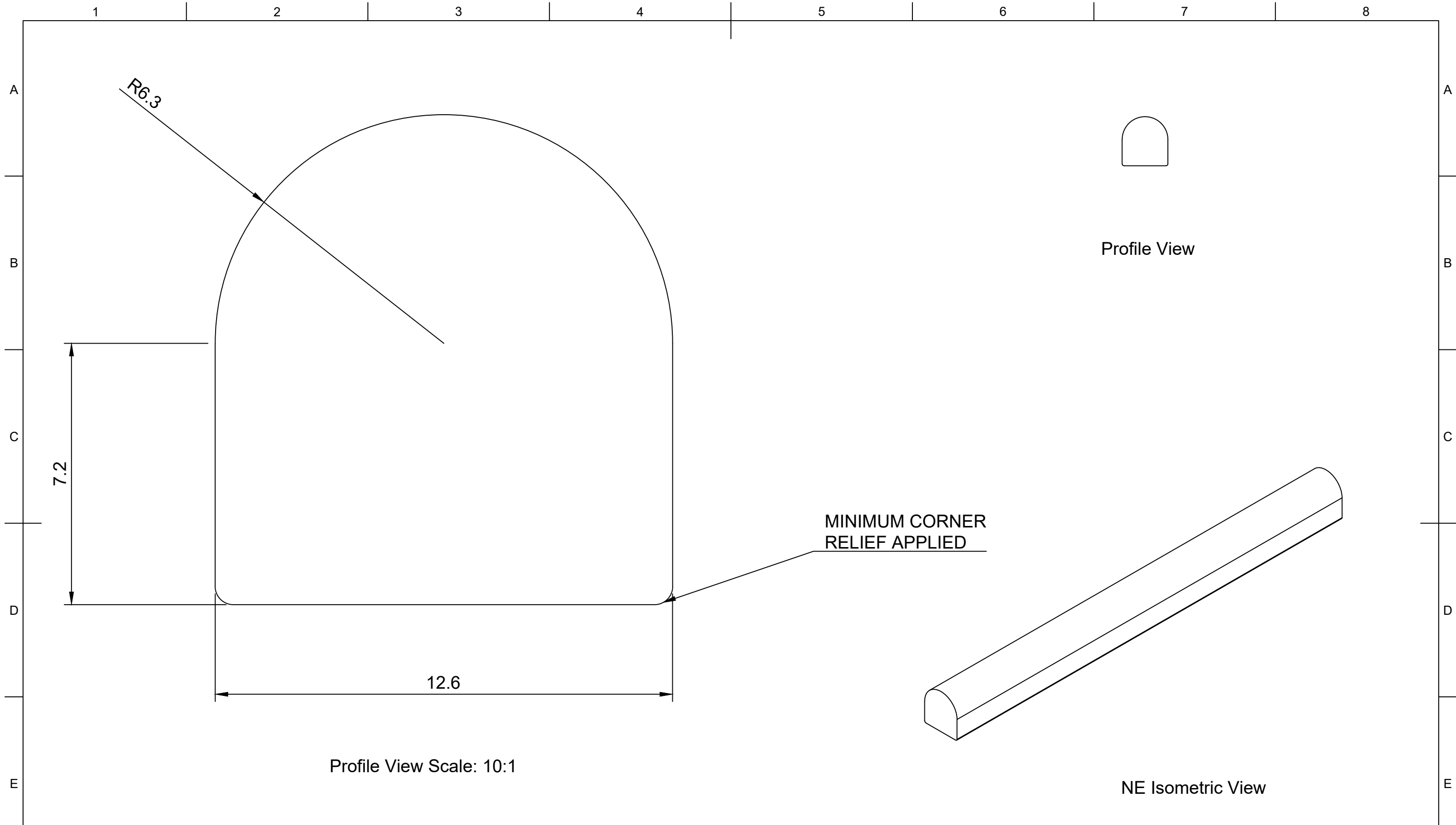
Part Number 208388					Created By David Stirling		Cross Sectional Area (mm ²) 1170		Nominal Dimension (mm)		Tolerance, ± (mm)
					Date Drawn 04/05/2020		Material EPDM		Greater Than	Less Than or Equal to	
Description D Section - Solid					Approved By		Hardness (Shore A) 70		0.00	1.50	0.40
					Date of Approval		Colour Black		1.50	2.50	0.50
Revision A	Date of Issue 21/01/2022	Sheet Scale 1:1	Sheet Size A3	Sheet 1/1	Projection 3rd Agl.		Weight (kg/m) 1.474		2.50	4.00	0.70
									4.00	6.30	0.80
									6.30	10.00	1.00
									10.00	16.00	1.30
									16.00	25.00	1.60
								25.00	40.00	2.00	
								40.00	63.00	2.50	
								63.00	100.00	3.20	
								100.00		3.20%	


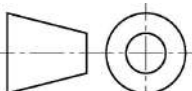


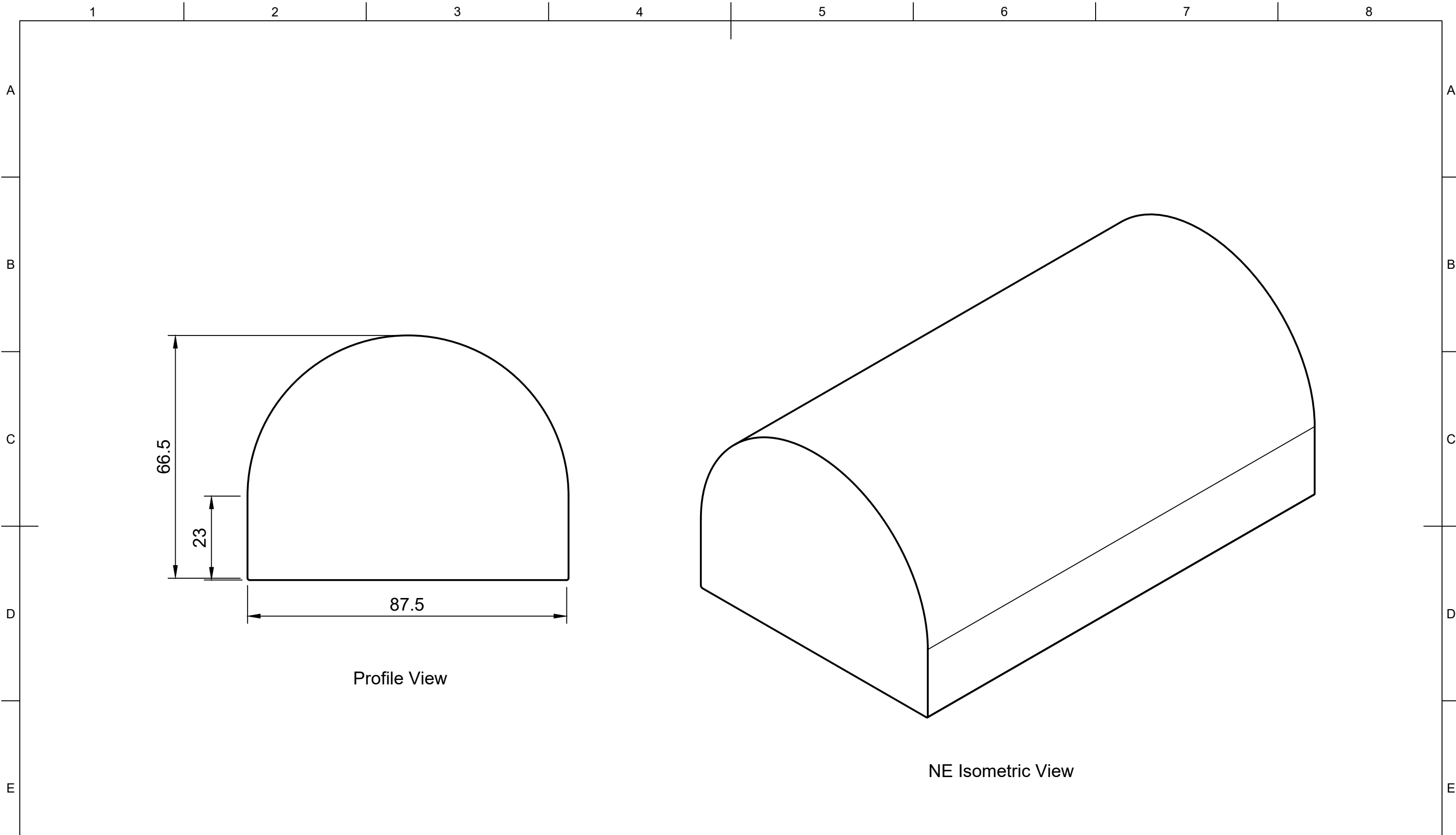
	Part Number				Created By		Cross Sectional Area (mm²)		Nominal Dimension (mm)		Tolerance, ± (mm)		
	208752				David Stirling		177		Greater Than	Less Than or Equal to			
	Description				Date Drawn		Material		0.00	1.50	0.40		
	D Section - Solid				01/05/2020		EPDM		1.50	2.50	0.50		
	Revision				Approved By		Hardness (Shore A)		2.50	4.00	0.70		
	A	Date of Issue		Sheet Scale	Sheet Size	Sheet	Date of Approval		4.00	6.30	0.80		
		20/01/2022		1:1	A3	1/1	Projection 3rd Agl. 		6.30	10.00	1.00		
									Colour		10.00	16.00	1.30
									Black		16.00	25.00	1.60
									Weight (g/m)		25.00	40.00	2.00
								40.00	63.00	2.50			
								63.00	100.00	3.20			
								100.00		3.20%			



	Part Number				Created By		Cross Sectional Area (mm²)		Nominal Dimension (mm)		Tolerance, ± (mm)
	208766				David Stirling		1482		Greater Than	Less Than or Equal to	
	Description				Date Drawn		Material		0.00	1.50	0.40
	D Section - Solid				05/05/2020		EPDM		1.50	2.50	0.50
	Revision				Approved By		Hardness (Shore A)		2.50	4.00	0.70
	A	Date of Issue		Sheet Scale	Sheet Size	Sheet	Date of Approval		4.00	6.30	0.80
		21/01/2022		1:1	A3	1/1			6.30	10.00	1.00
	Projection				Weight (kg/m)				10.00	16.00	1.30
	3rd Agl. 				1.867				16.00	25.00	1.60
									25.00	40.00	2.00
								40.00	63.00	2.50	
								63.00	100.00	3.20	
								100.00		3.20%	


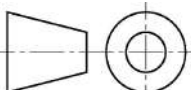


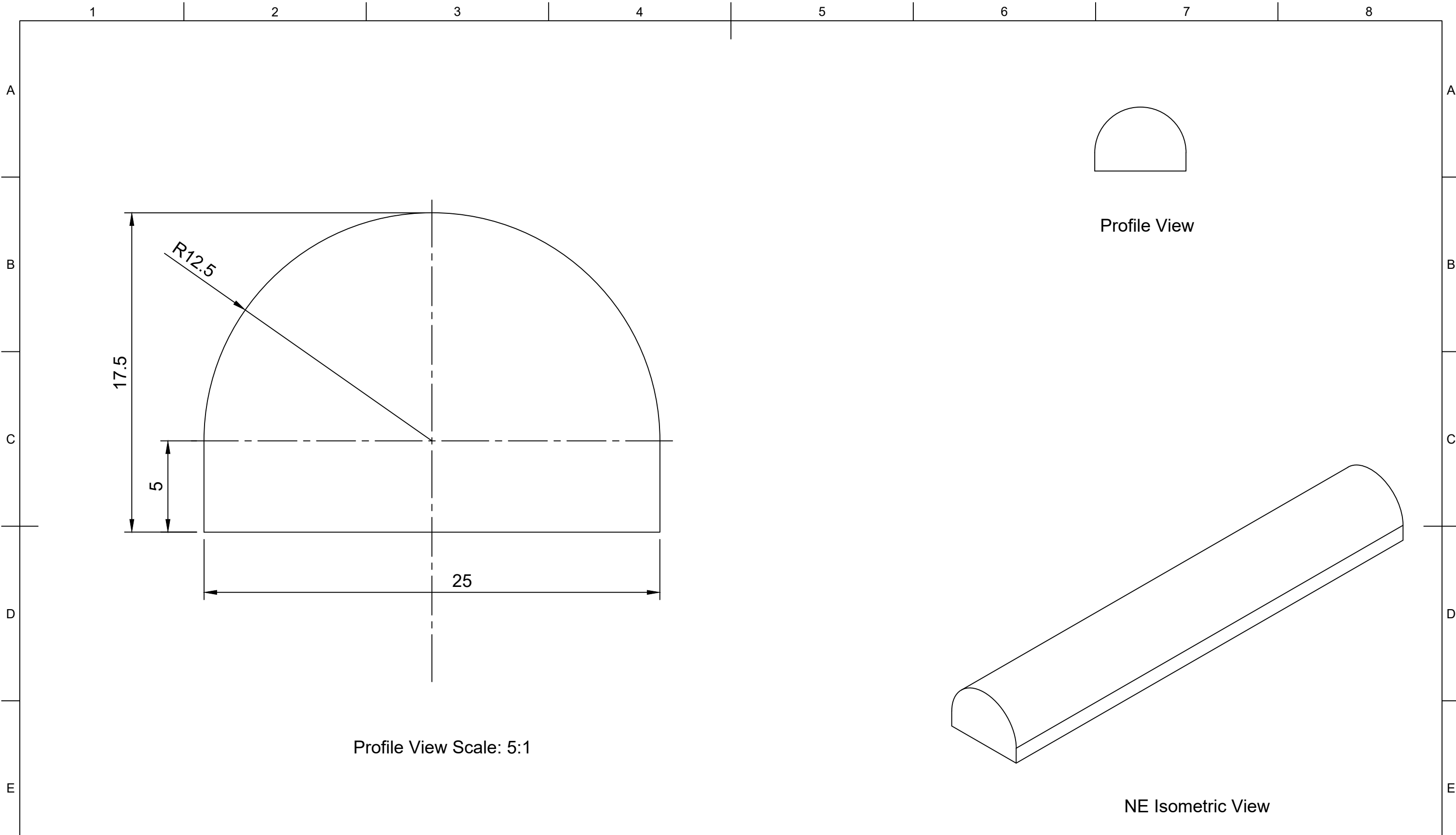
	Part Number				Created By		Cross Sectional Area (mm²)		Nominal Dimension (mm)		Tolerance, ± (mm)
	209130				David Stirling		153		Greater Than	Less Than or Equal to	0.40
					Date Drawn		Material		0.00	1.50	
	D Section - Solid				30/04/2020		EPDM		1.50	2.50	0.50
					Approved By		Hardness (Shore A)		2.50	4.00	0.70
					Date of Approval		70		4.00	6.30	0.80
					Colour		Black		6.30	10.00	1.00
	Revision	Date of Issue	Sheet Scale	Sheet Size	Sheet	Projection	Weight (g/m)		10.00	16.00	1.30
	A	20/01/2022	1:1	A3	1/1	3rd Agl. 	193		16.00	25.00	1.60
									25.00	40.00	2.00
								40.00	63.00	2.50	
								63.00	100.00	3.20	
								100.00		3.20%	



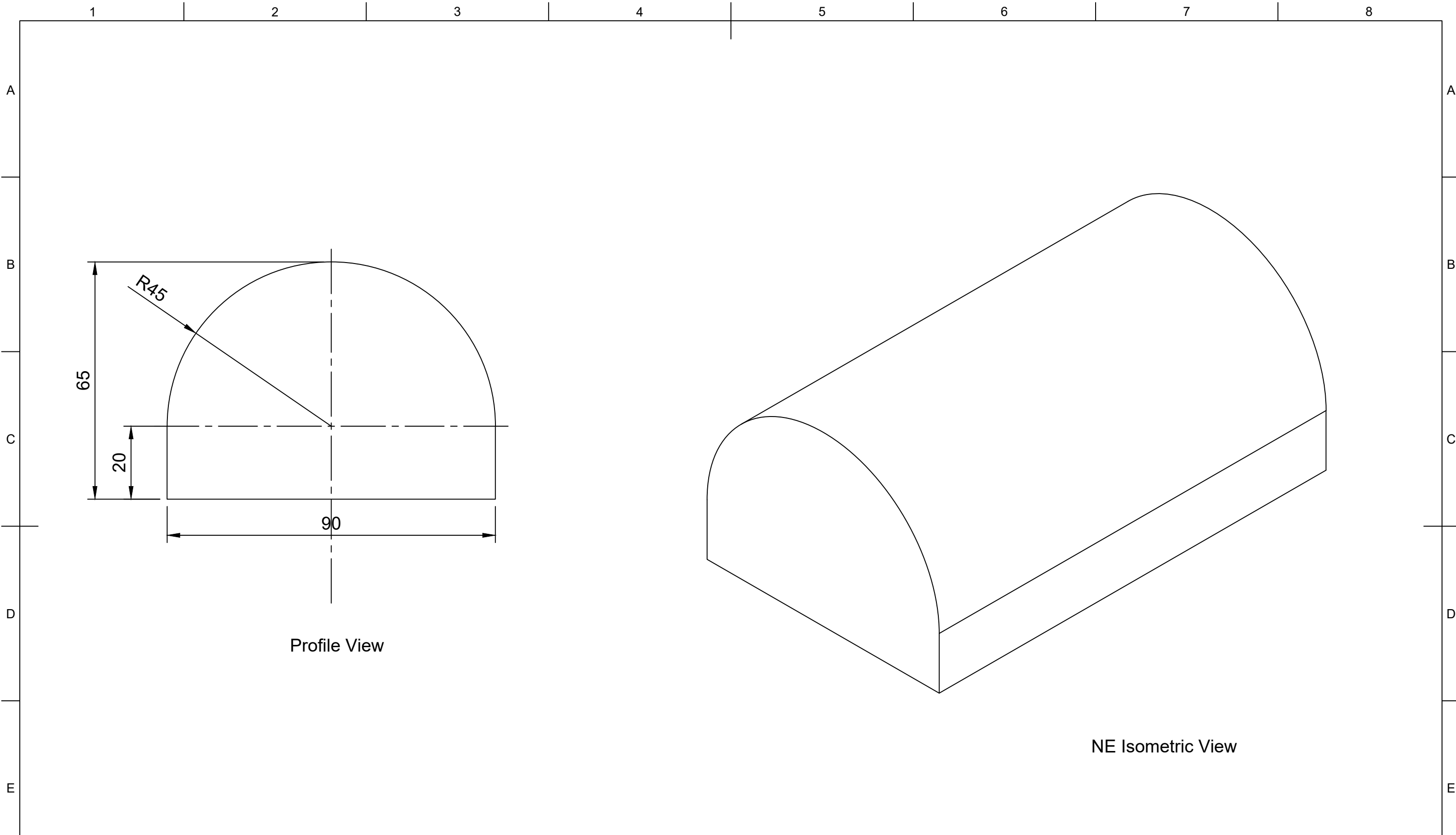
Profile View

NE Isometric View

	Part Number				Created By		Cross Sectional Area (mm ²)		Nominal Dimension (mm)		Tolerance, ± (mm)
	209263				David Stirling		5065		Greater Than	Less Than or Equal to	
	Description				Date Drawn		Material		0.00		0.40
	D Section - Solid				21/01/2022		EPDM		1.50		0.50
	Revision				Approved By		Hardness (Shore A)		2.50		0.70
	Date of Issue				Date of Approval		80		4.00		0.80
	Sheet Scale				Projection		Colour		6.30		1.00
	Sheet Size				3rd Agl. 		Black		10.00		1.30
	Sheet				Weight (kg/m)		6.328		16.00		1.60
	A				21/01/2022		100.00		25.00		2.00
1:1				A3		1/1		40.00		2.50	
								63.00		3.20	
								100.00		3.20%	


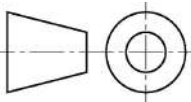


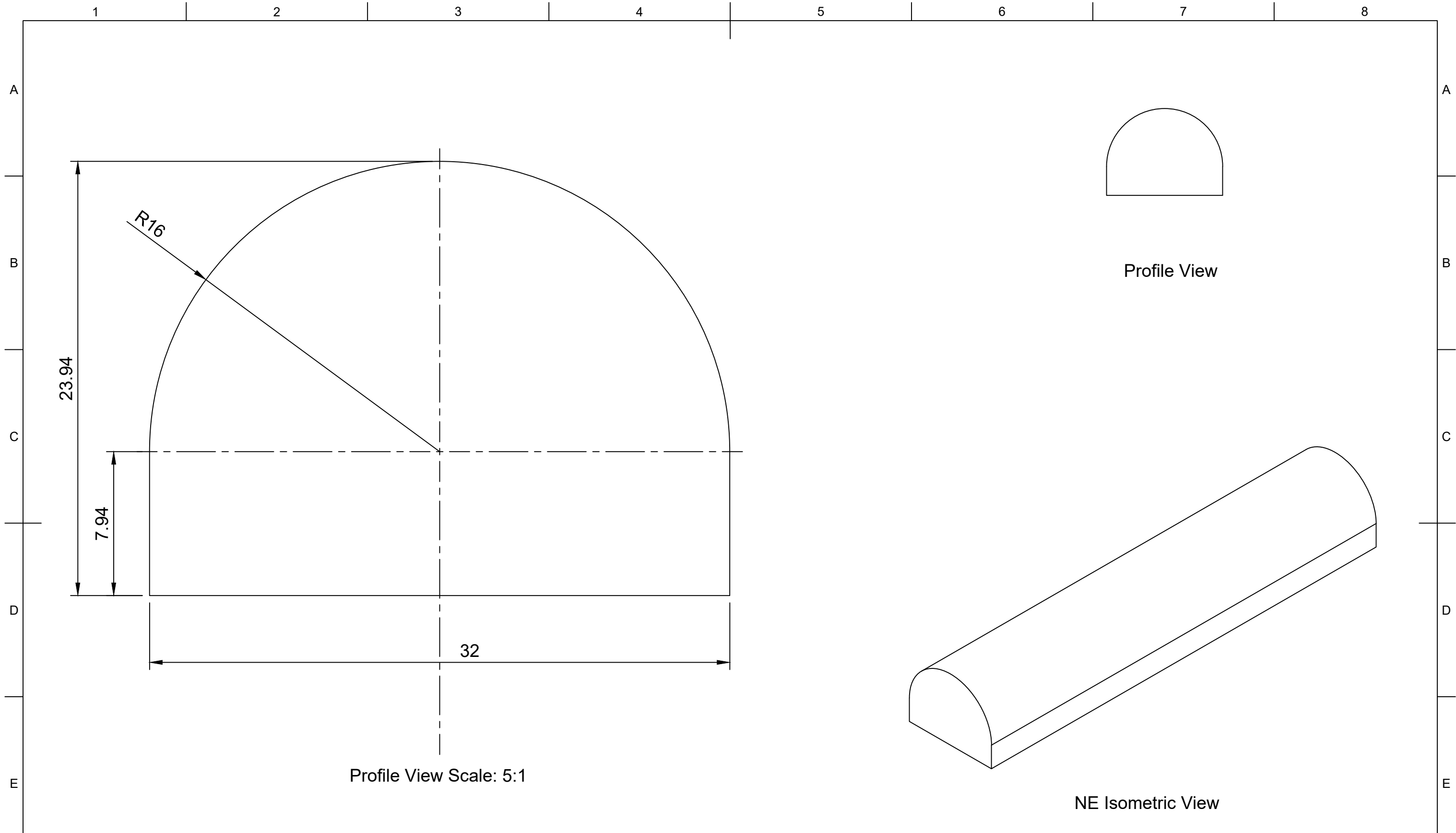
Part Number 209489					Created By David Stirling		Cross Sectional Area (mm ²) 370		Nominal Dimension (mm)		Tolerance, ± (mm)
					Date Drawn 03/05/2020		Material EPDM		Greater Than	Less Than or Equal to	
Description D Section - Solid					Approved By		Hardness (Shore A) 70		0.00	1.50	0.40
					Date of Approval		Colour Black		1.50	2.50	0.50
Revision A	Date of Issue 20/01/2022	Sheet Scale 1:1	Sheet Size A3	Sheet 1/1	Projection 3rd Agl.	Weight (g/m) 460		2.50	4.00	0.70	
								4.00	6.30	0.80	
								6.30	10.00	1.00	
								10.00	16.00	1.30	
								16.00	25.00	1.60	
								25.00	40.00	2.00	
								40.00	63.00	2.50	
								63.00	100.00	3.20	
								100.00		3.20%	


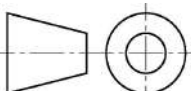


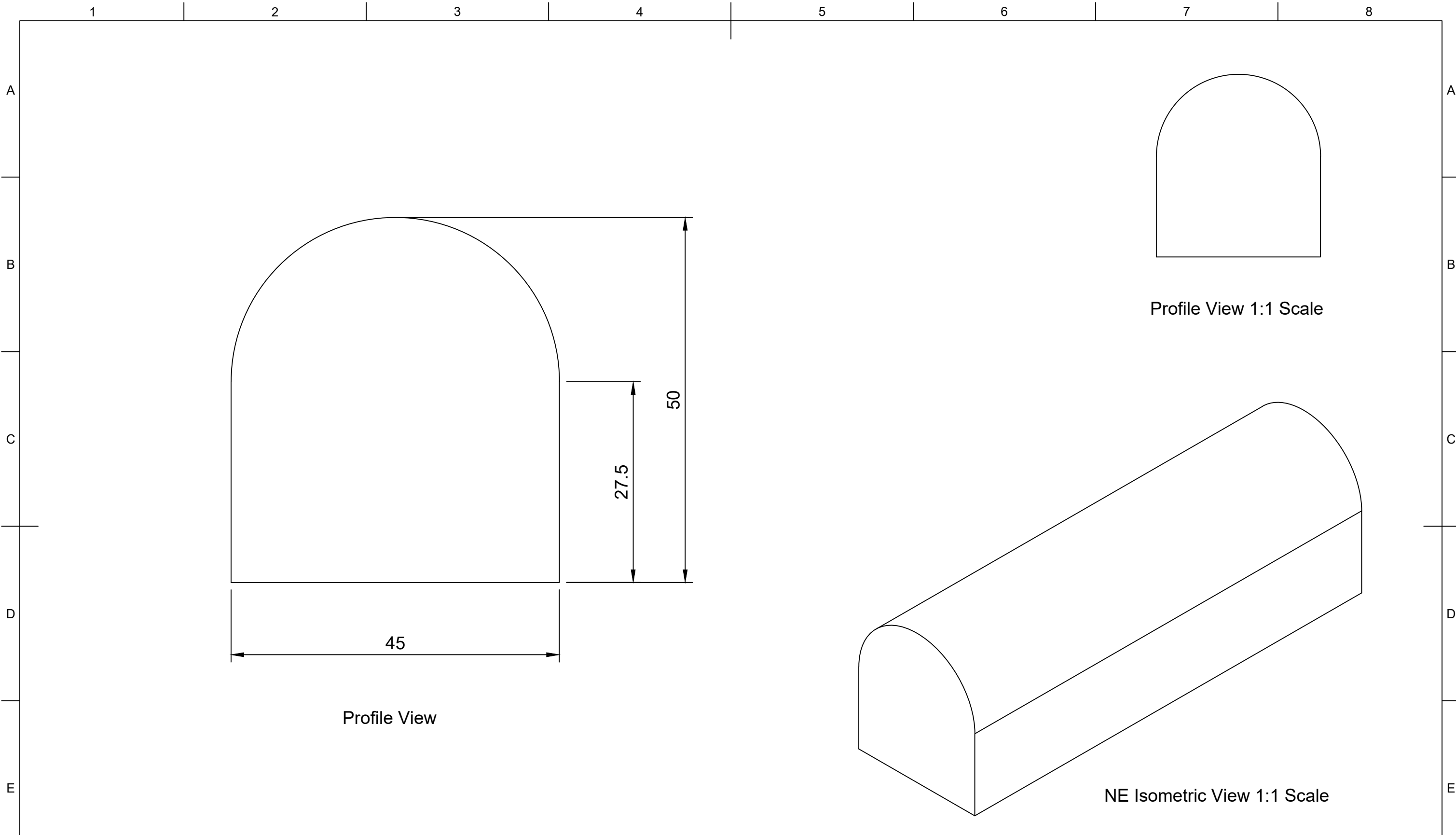
Profile View

NE Isometric View

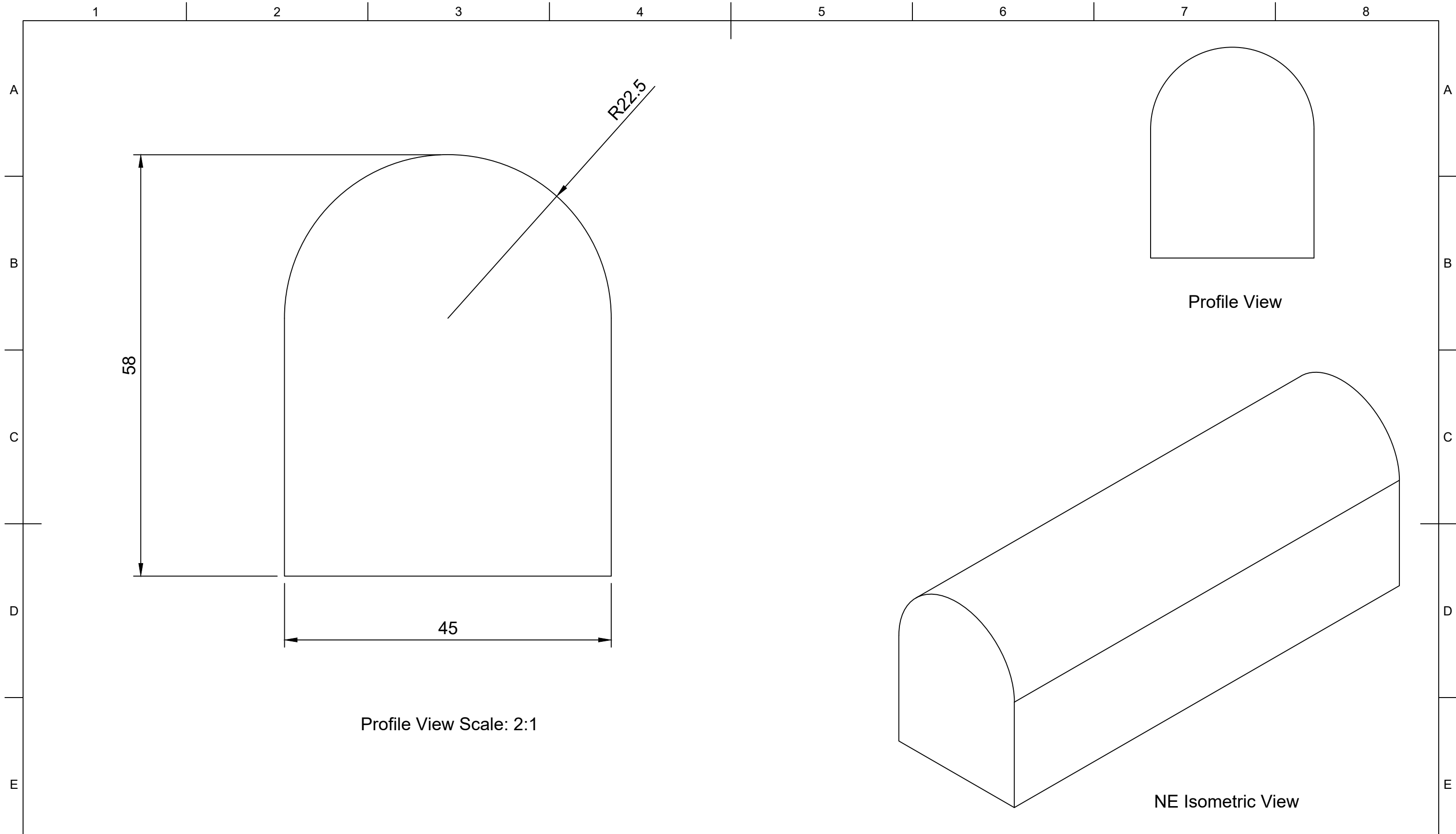
	Part Number				Created By		Cross Sectional Area (mm ²)		Nominal Dimension (mm)		Tolerance, ± (mm)
	209686				David Stirling		4981		Greater Than	Less Than or Equal to	
	Description				Date Drawn		Material		0.00		0.40
	D Section - Solid				12/05/2020		EPDM		1.50		0.50
	Revision				Approved By		Hardness (Shore A)		2.50		0.70
	A				Date of Approval		70		4.00		0.80
	Date of Issue				Date of Approval		Colour		6.30		1.00
	24/01/2022				3rd Agl.		Black		10.00		1.30
	Sheet Scale				Projection		Weight (kg/m)		16.00		1.60
	1:1				3rd Agl. 		6.276		25.00		2.00
Sheet Size								40.00		2.50	
A3								63.00		3.20	
Sheet								100.00		3.20%	
1/1											


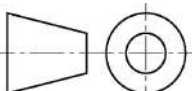


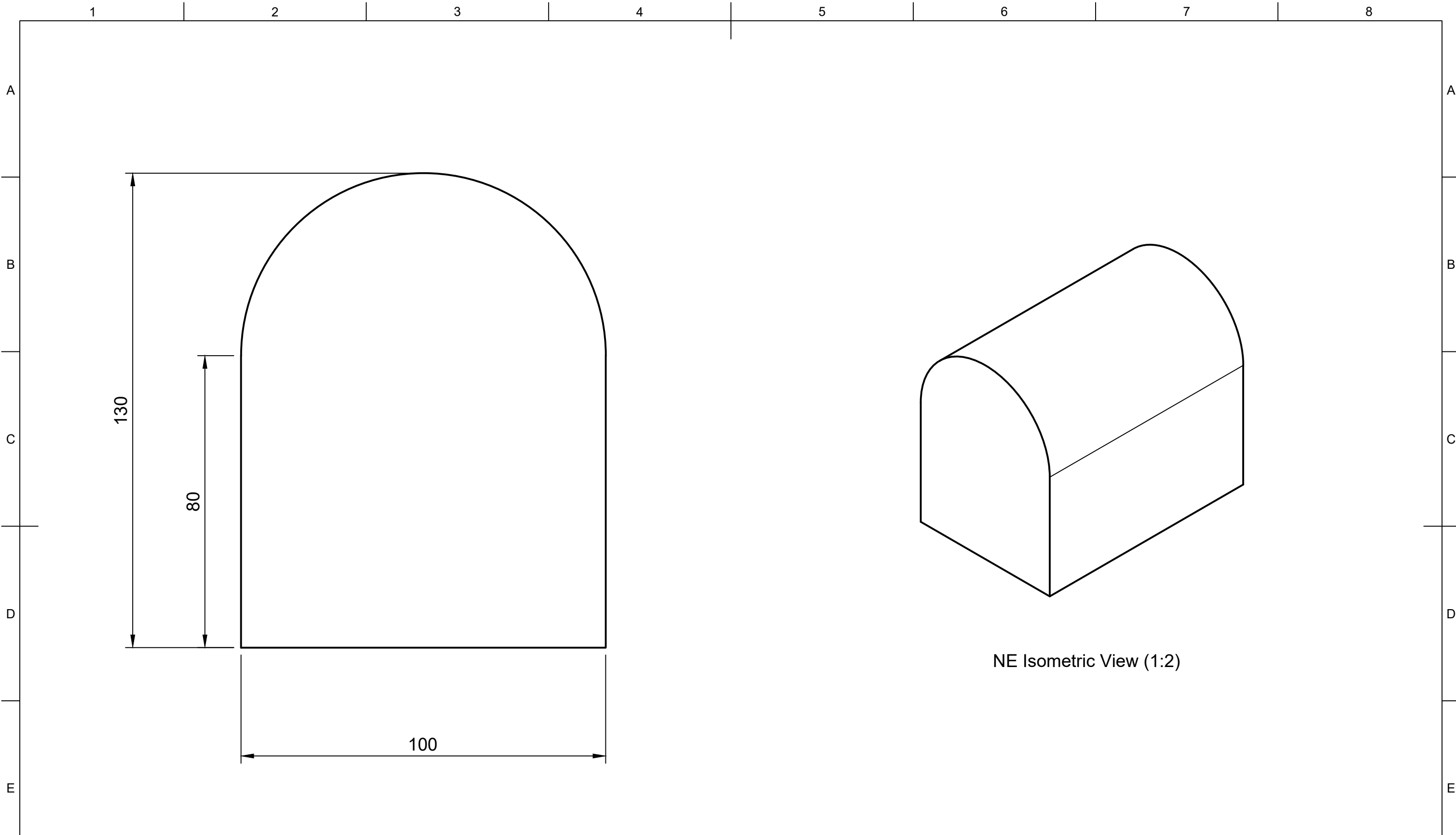
	Part Number				Created By		Cross Sectional Area (mm ²)		Nominal Dimension (mm)		Tolerance, ± (mm)
	209696				David Stirling		656		Greater Than	Less Than or Equal to	
	Description				Date Drawn		Material		0.00		0.40
	D Section - Solid				03/05/2020		EPDM		1.50		0.50
	Revision				Approved By		Hardness (Shore A)		2.50		0.70
	A				Date of Approval		70		4.00		0.80
	Date of Issue				Date of Approval		Colour		6.30		1.00
	20/01/2022				3rd Agl.		Black		10.00		1.30
	Sheet Scale				Projection		Weight (g/m)		16.00		1.60
	1:1				3rd Agl. 		820		25.00		2.00
Sheet Size								40.00		2.50	
A3								63.00		3.20	
Sheet								63.00		3.20	
1/1								100.00		3.20%	




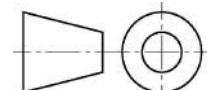
Part Number		200211			Created By	Isaac Erskine	Cross Sectional Area (mm ²)	2033		Nominal Dimension (mm)		Tolerance, ± (mm)															
					Date Drawn	30/09/2020	Material	EPDM	Greater Than	Less Than or Equal to																	
Description		D Section - Solid			Approved By	Isaac Erskine	Hardness (Shore A)	70		0.00	1.50	0.40															
					Date of Approval	28/02/2022	Colour	Black	1.50	2.50	0.50																
Revision	Date of Issue	Sheet Scale	Sheet Size	Sheet	Projection	3rd Agl.	Weight (kg/m)	2.562		2.50	4.00	0.70															
A	28/02/2022	2:1	A3	1/1				10.00	16.00	1.30																	
<table border="1"> <tr> <td>16.00</td> <td>25.00</td> <td>1.60</td> </tr> <tr> <td>25.00</td> <td>40.00</td> <td>2.00</td> </tr> <tr> <td>40.00</td> <td>63.00</td> <td>2.50</td> </tr> <tr> <td>63.00</td> <td>100.00</td> <td>3.20</td> </tr> <tr> <td>100.00</td> <td></td> <td>3.20%</td> </tr> </table>													16.00	25.00	1.60	25.00	40.00	2.00	40.00	63.00	2.50	63.00	100.00	3.20	100.00		3.20%
16.00	25.00	1.60																									
25.00	40.00	2.00																									
40.00	63.00	2.50																									
63.00	100.00	3.20																									
100.00		3.20%																									



	Part Number				Created By		Cross Sectional Area (mm²)		Nominal Dimension (mm)		Tolerance, ± (mm)
	200914				Isaac Erskine		2393		Greater Than	Less Than or Equal to	
	Description				Date Drawn		Material		0.00	1.50	0.40
	D Section - Solid				05/09/2020		EPDM		1.50	2.50	0.50
	Revision				Approved By		Hardness (Shore A)		2.50	4.00	0.70
	A	Date of Issue		Sheet Scale	Sheet Size	Sheet	Isaac Erskine		4.00	6.30	0.80
		01/03/2022		1:1	A3	1/1	Date of Approval		6.30	10.00	1.00
							01/03/2022		10.00	16.00	1.30
							Projection		16.00	25.00	1.60
							3rd Agl. 		25.00	40.00	2.00
						Weight (kg/m)		40.00	63.00	2.50	
						3.105		63.00	100.00	3.20	
								100.00		3.20%	



NE Isometric View (1:2)

	Part Number				Created By		Cross Sectional Area (mm²)		Nominal Dimension (mm)		Tolerance, ± (mm)
	208962				Oliver Ryan		11927		Greater Than	Less Than or Equal to	
	Description				Date Drawn		Material		0.00	1.50	0.40
	D Section - Solid				10/01/2023		EPDM		1.50	2.50	0.50
	Revision				Approved By		Hardness (Shore A)		2.50	4.00	0.70
	A	Date of Issue	Sheet Scale	Sheet Size	Sheet	Isaac Erskine	70		4.00	6.30	0.80
		10/01/2023	1:1	A3	1/1	Date of Approval	Colour		6.30	10.00	1.00
						30/01/2023	Black		10.00	16.00	1.30
						Projection	Weight (kg/m)		16.00	25.00	1.60
						3rd Agl. 	15.029		25.00	40.00	2.00
								40.00	63.00	2.50	
								63.00	100.00	3.20	
								100.00		3.20%	