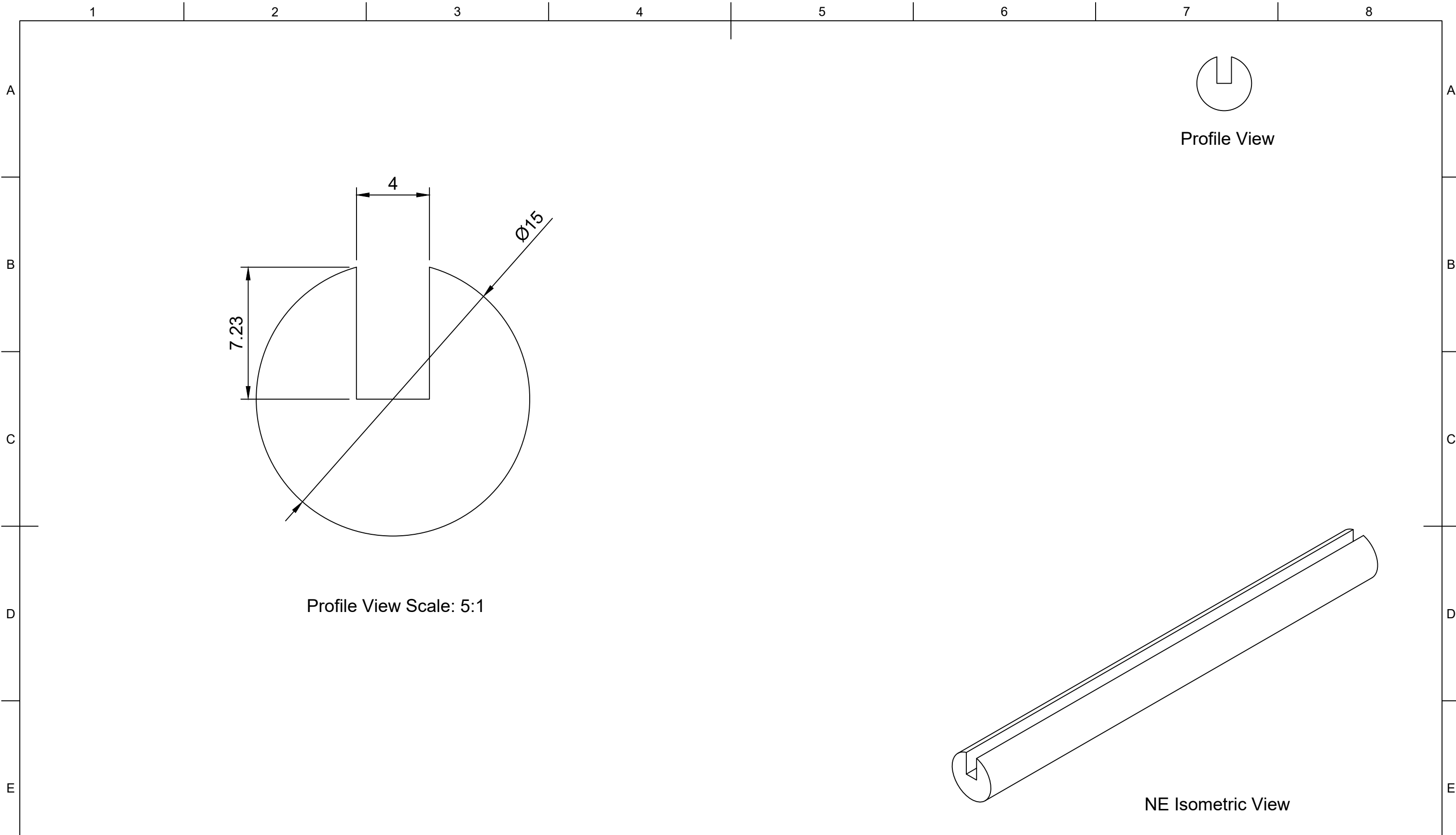




Cords

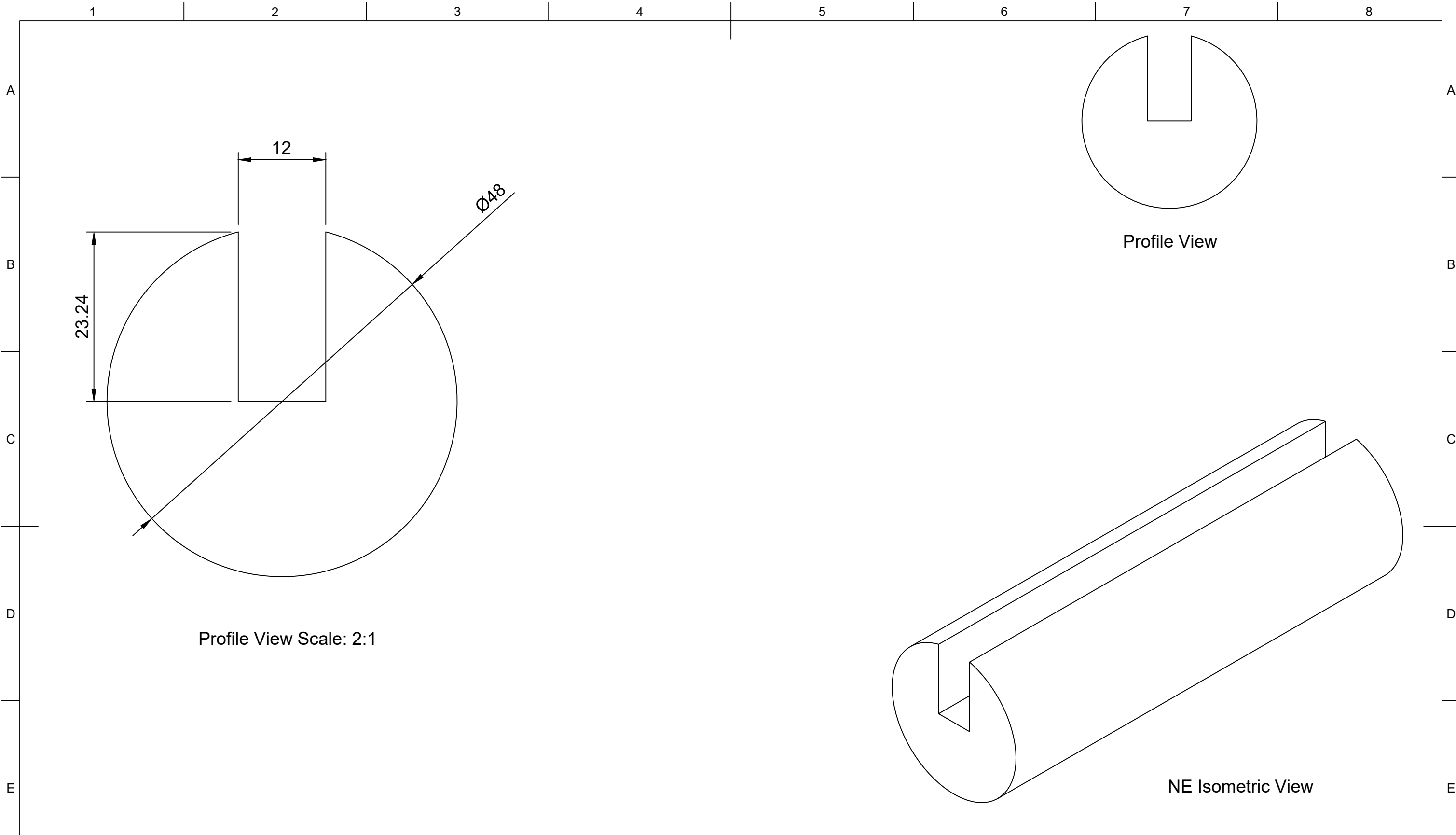



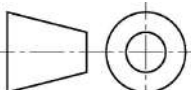
Profile View Scale: 5:1

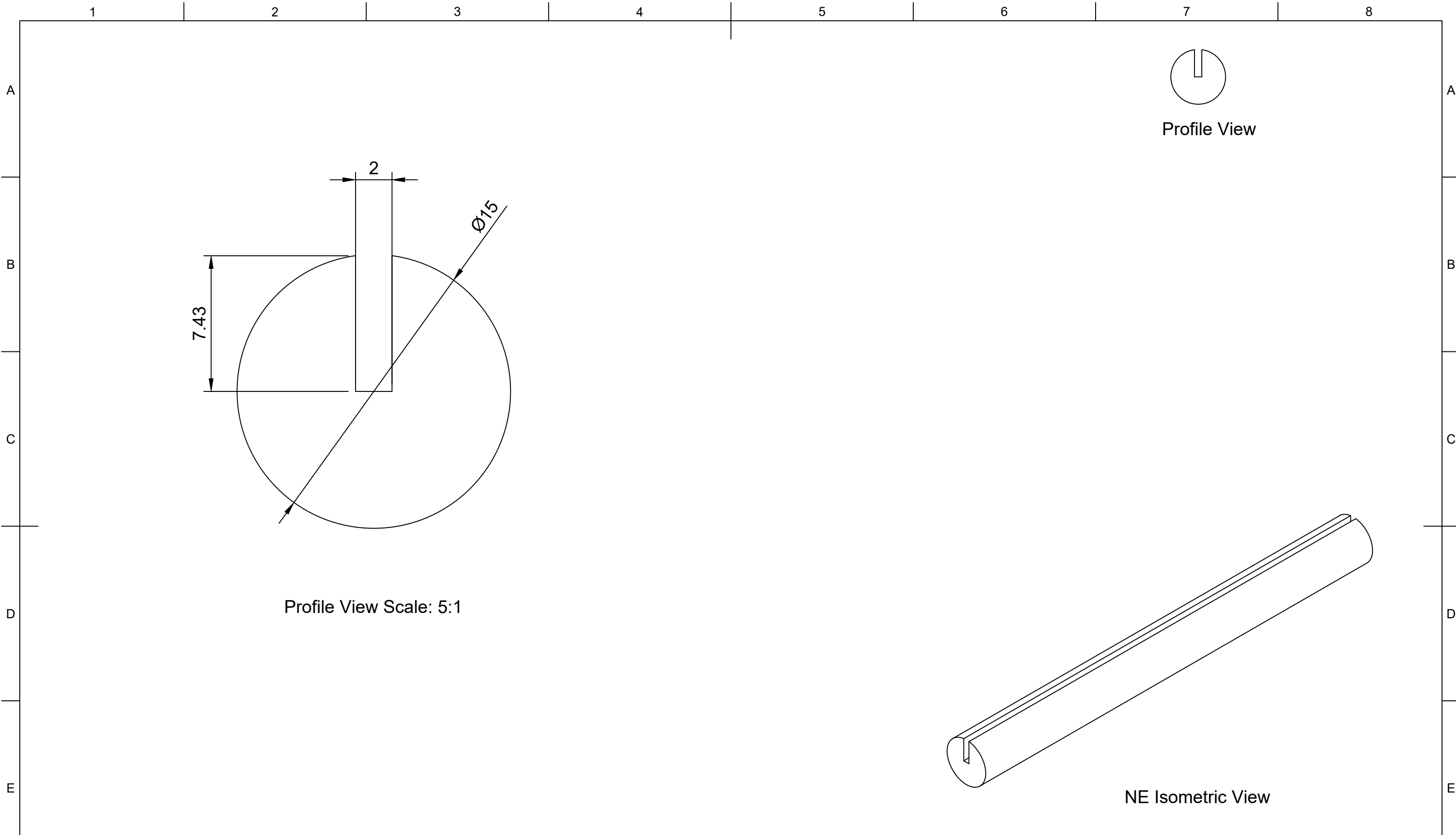
NE Isometric View



	Part Number				Created By		Cross Sectional Area (mm²)		Nominal Dimension (mm)		Tolerance, ± (mm)	
	200119				David Stirling		147		Greater Than	Less Than or Equal to		
					Date Drawn		Material		0.00	1.50	0.40	
					03/07/2020		Neoprene		1.50	2.50	0.50	
	Description				Approved By		Hardness (Shore A)		2.50	4.00	0.70	
	Cord (Slotted)						70		4.00	6.30	0.80	
					Date of Approval		Colour		6.30	10.00	1.00	
							Black		10.00	16.00	1.30	
									16.00	25.00	1.60	
									25.00	40.00	2.00	
Revision	Date of Issue		Sheet Scale	Sheet Size	Sheet	Projection		Weight (g/m)		40.00	63.00	2.50
A	27/01/2022		1:1	A3	1/1	3rd Agl.		223		63.00	100.00	3.20
										100.00	---	3.20%



	Part Number				Created By		Cross Sectional Area (mm²)		Nominal Dimension (mm)		Tolerance, ± (mm)	
	202062				David Stirling		1525		Greater Than	Less Than or Equal to		
	Description				Date Drawn		Material		0.00	1.50	0.40	
	Cord (Slotted)				04/07/2020		EPDM		1.50	2.50	0.50	
	Revision				Approved By		Hardness (Shore A)		2.50	4.00	0.70	
	A	Date of Issue		Sheet Scale	Sheet Size	Sheet	Date of Approval		4.00	6.30	0.80	
		27/01/2022		1:1	A3	1/1	3rd Agl. 		6.30	10.00	1.00	
		Projection				Colour		Weight (kg/m)		10.00	16.00	1.30
						Black		1.922		16.00	25.00	1.60
										25.00	40.00	2.00
									40.00	63.00	2.50	
									63.00	100.00	3.20	
									100.00		3.20%	

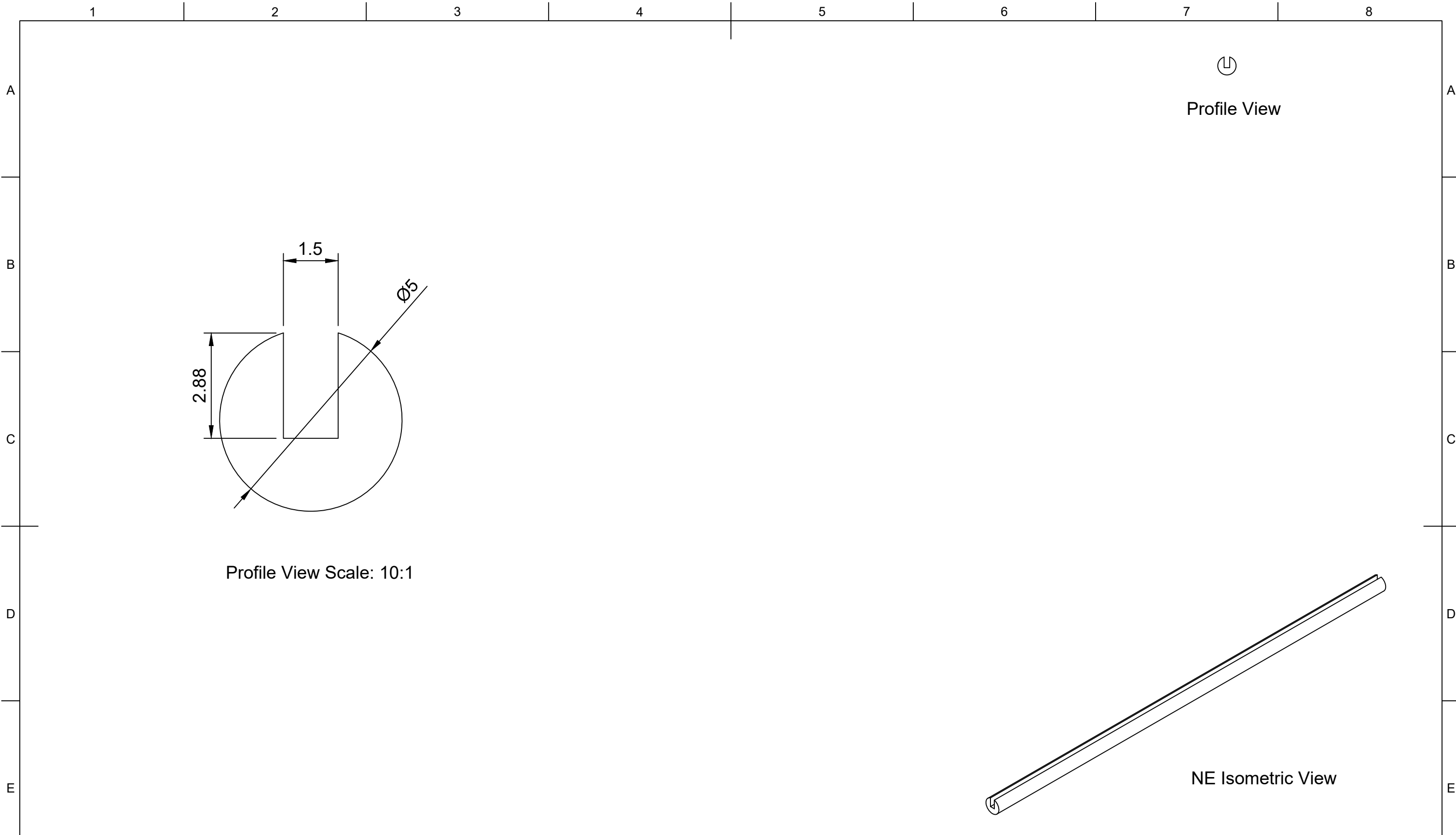


Profile View Scale: 5:1

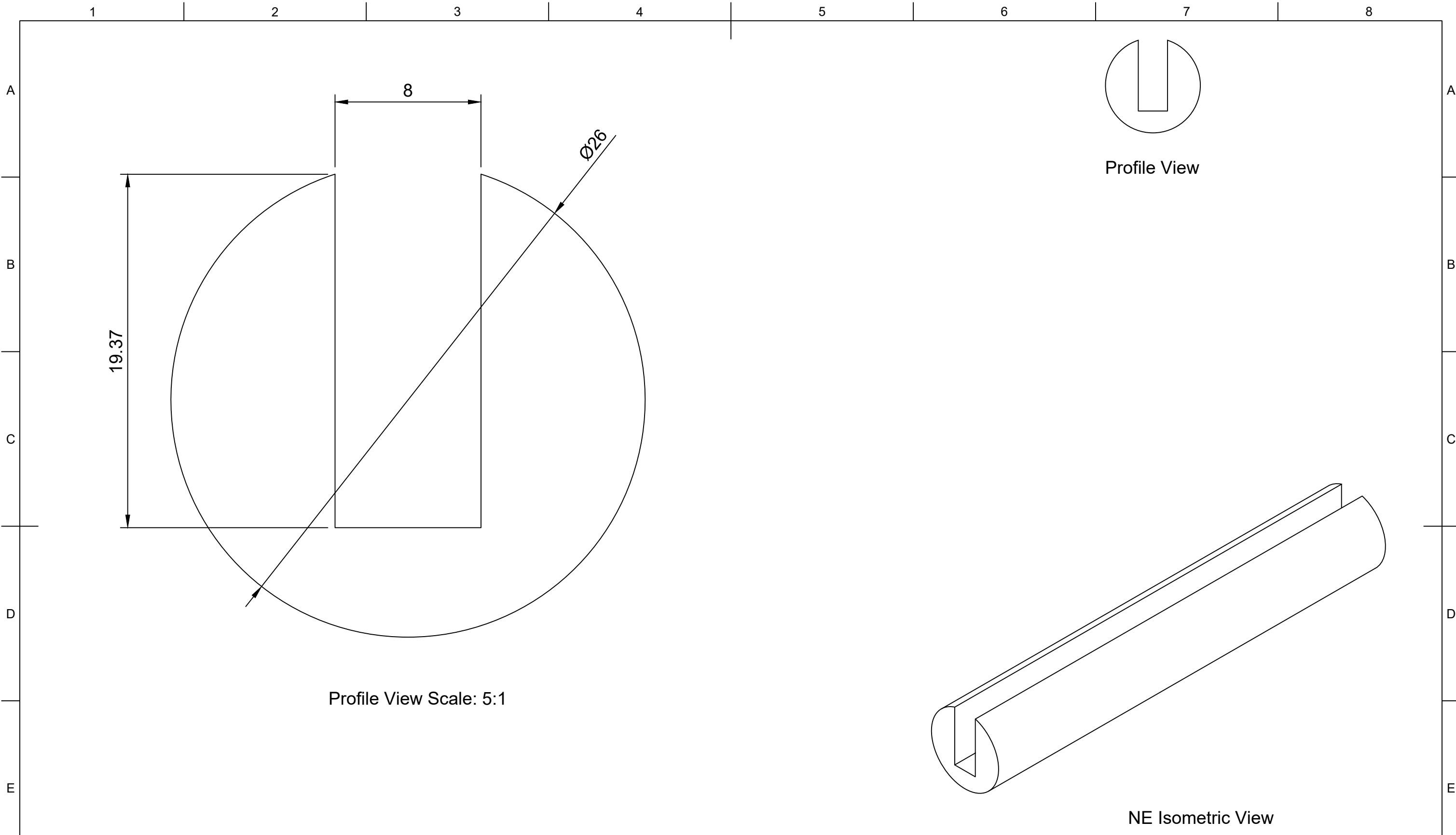
NE Isometric View



	Part Number				Created By		Cross Sectional Area (mm²)		Nominal Dimension (mm)		Tolerance, ± (mm)
	202494				David Stirling		162		Greater Than	Less Than or Equal to	
					Date Drawn		Material		0.00	1.50	0.40
					03/07/2020		EPDM		1.50	2.50	0.50
	Description				Approved By		Hardness (Shore A)		2.50	4.00	0.70
	Cord (Slotted)						70		4.00	6.30	0.80
					Date of Approval		Colour		6.30	10.00	1.00
							Black		10.00	16.00	1.30
							Weight (g/m)		16.00	25.00	1.60
							204		25.00	40.00	2.00
Revision	Date of Issue	Sheet Scale	Sheet Size	Sheet	Projection			40.00	63.00	2.50	
A	27/01/2022	1:1	A3	1/1	3rd Agl.			63.00	100.00	3.20	
								100.00		3.20%	



	Part Number				Created By		Cross Sectional Area (mm²)		Nominal Dimension (mm)		Tolerance, ± (mm)
	203572				David Stirling		15		Greater Than	Less Than or Equal to	
	Description				Date Drawn		Material		0.00	1.50	0.40
	Cord (Slotted)				04/07/2020		EPDM		1.50	2.50	0.50
	Revision				Approved By		Hardness (Shore A)		2.50	4.00	0.70
	A	Date of Issue		Sheet Scale	Sheet Size	Sheet	Date of Approval		4.00	6.30	0.80
		27/01/2022		1:1	A3	1/1	3rd Agl.		6.30	10.00	1.00
							Colour		10.00	16.00	1.30
							Black		16.00	25.00	1.60
							Weight (g/m)		25.00	40.00	2.00
						19		40.00	63.00	2.50	
								63.00	100.00	3.20	
								100.00		3.20%	

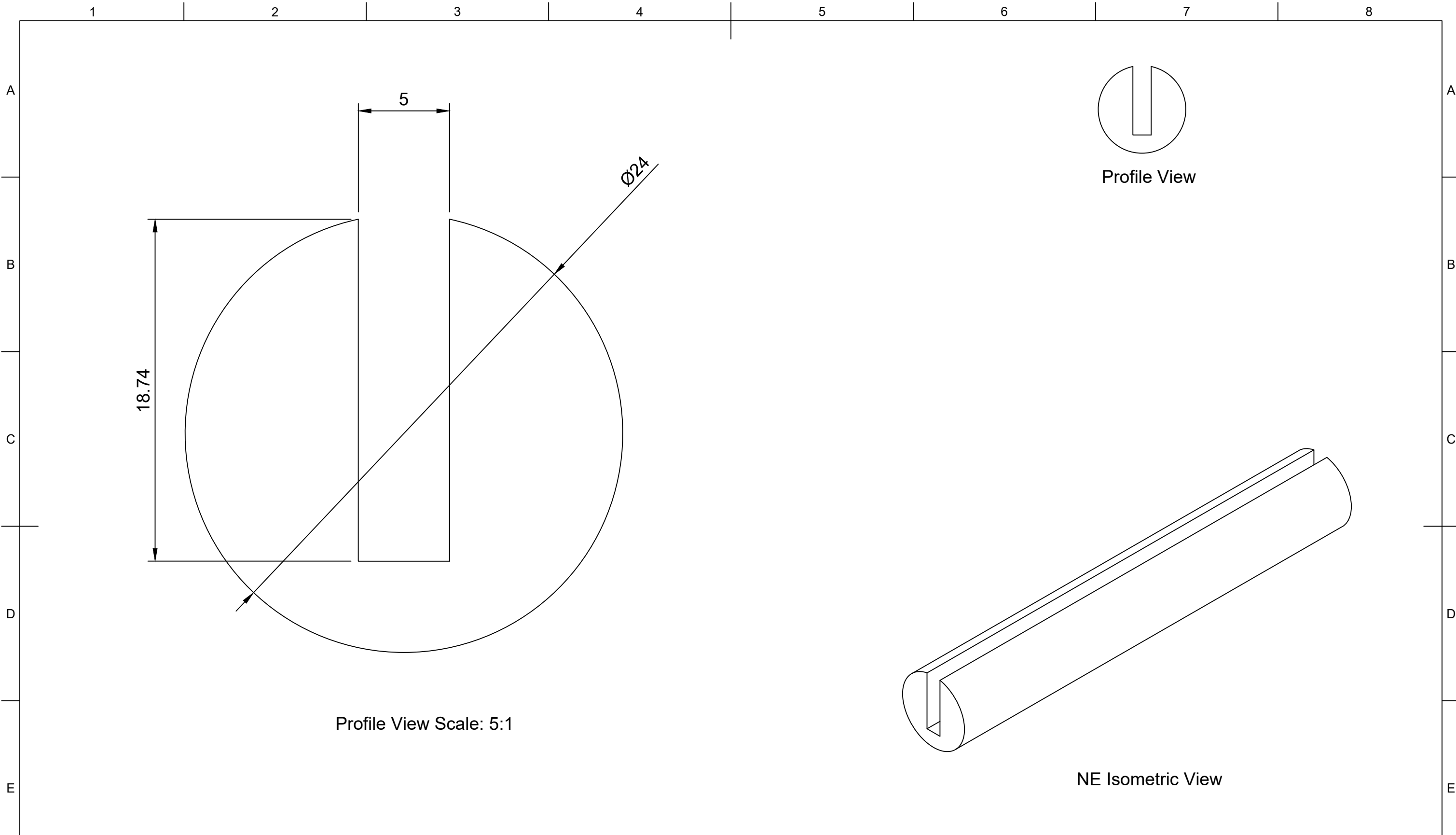


Profile View Scale: 5:1

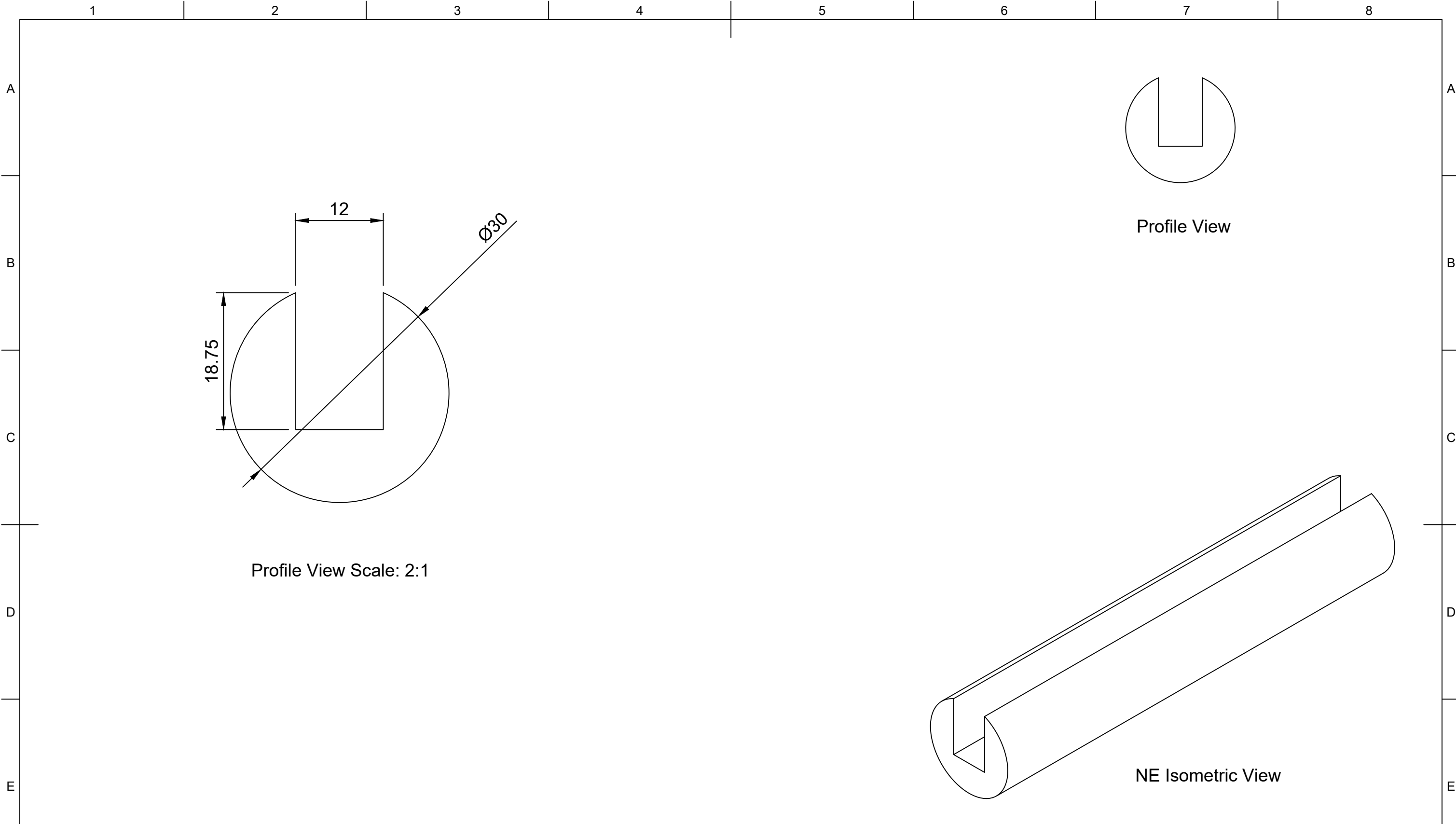
NE Isometric View



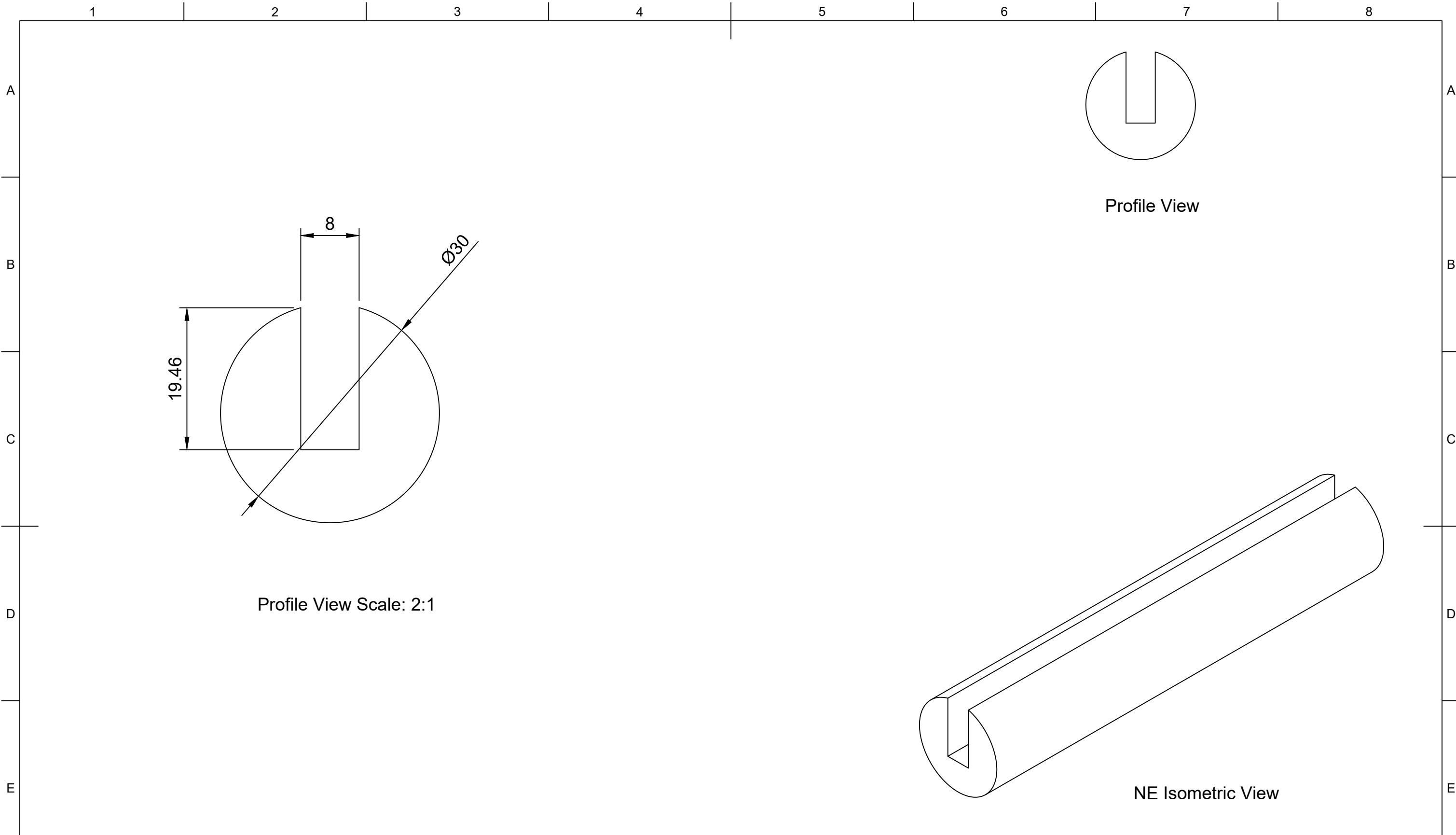
	Part Number				Created By		Cross Sectional Area (mm²)		Nominal Dimension (mm)		Tolerance, ± (mm)
	203975				David Stirling		373		Greater Than	Less Than or Equal to	
					Date Drawn		Material		0.00	1.50	0.40
					04/07/2020		EPDM		1.50	2.50	0.50
	Description				Approved By		Hardness (Shore A)		2.50	4.00	0.70
	Cord (Slotted)						70		4.00	6.30	0.80
					Date of Approval		Colour		6.30	10.00	1.00
							Black		10.00	16.00	1.30
					Projection		Weight (g/m)		16.00	25.00	1.60
	Revision	Date of Issue	Sheet Scale	Sheet Size	Sheet	3rd Agl.	470		25.00	40.00	2.00
A	27/01/2022	1:1	A3	1/1				40.00	63.00	2.50	
								63.00	100.00	3.20	
								100.00	—	3.20%	



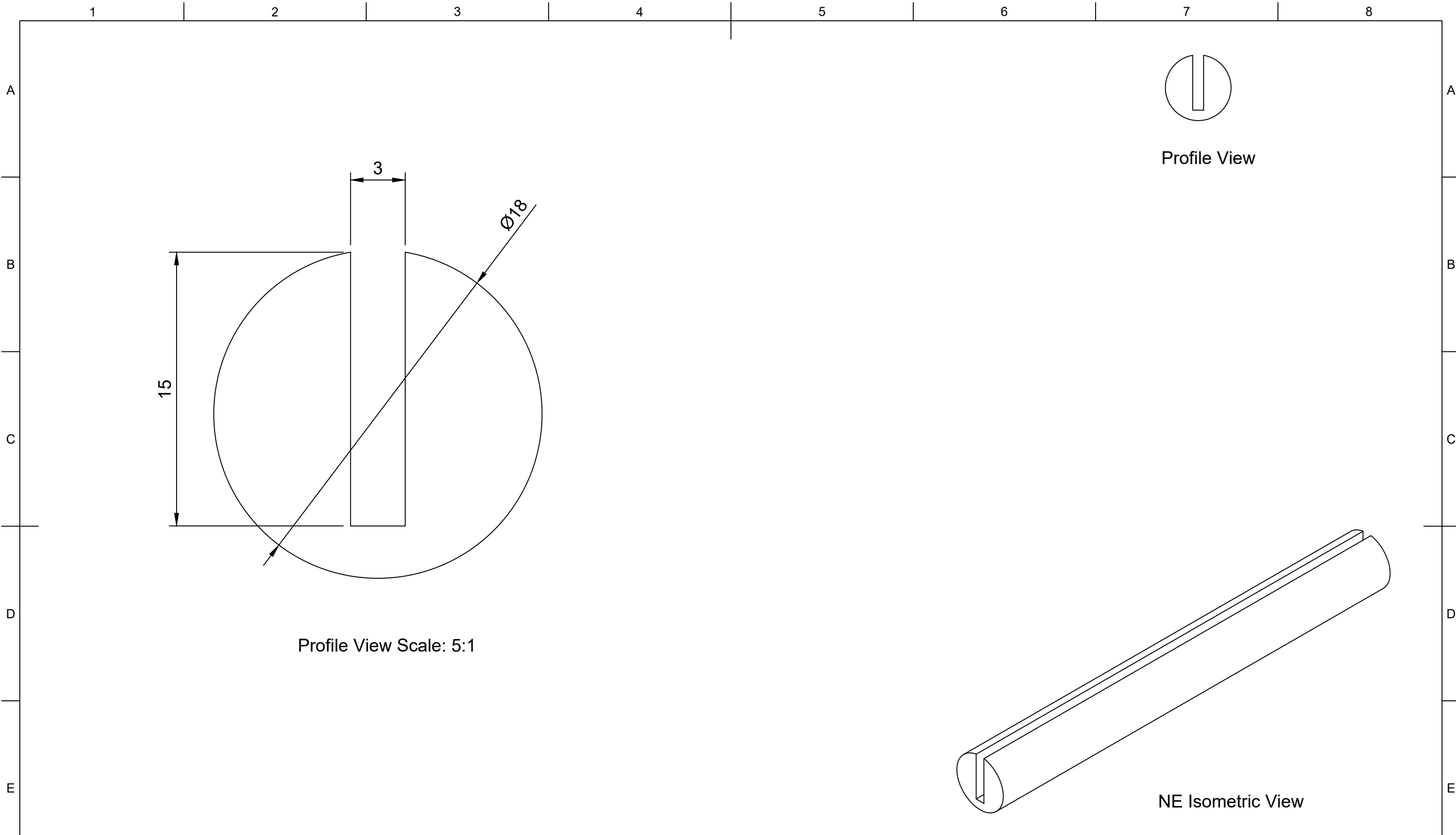
Part Number 204082					Created By David Stirling		Cross Sectional Area (mm ²) 358		Nominal Dimension (mm)		Tolerance, ± (mm)
					Date Drawn 04/07/2020		Material EPDM		Greater Than	Less Than or Equal to	
Description Cord (Slotted)					Approved By		Hardness (Shore A) 70		0.00	1.50	0.40
					Date of Approval		Colour Black		1.50	2.50	0.50
Revision A	Date of Issue 27/01/2022	Sheet Scale 1:1	Sheet Size A3	Sheet 1/1	Projection 3rd Agl.		Weight (g/m) 451		2.50	4.00	0.70
									4.00	6.30	0.80
									6.30	10.00	1.00
									10.00	16.00	1.30
									16.00	25.00	1.60
								25.00	40.00	2.00	
								40.00	63.00	2.50	
								63.00	100.00	3.20	
								100.00		3.20%	



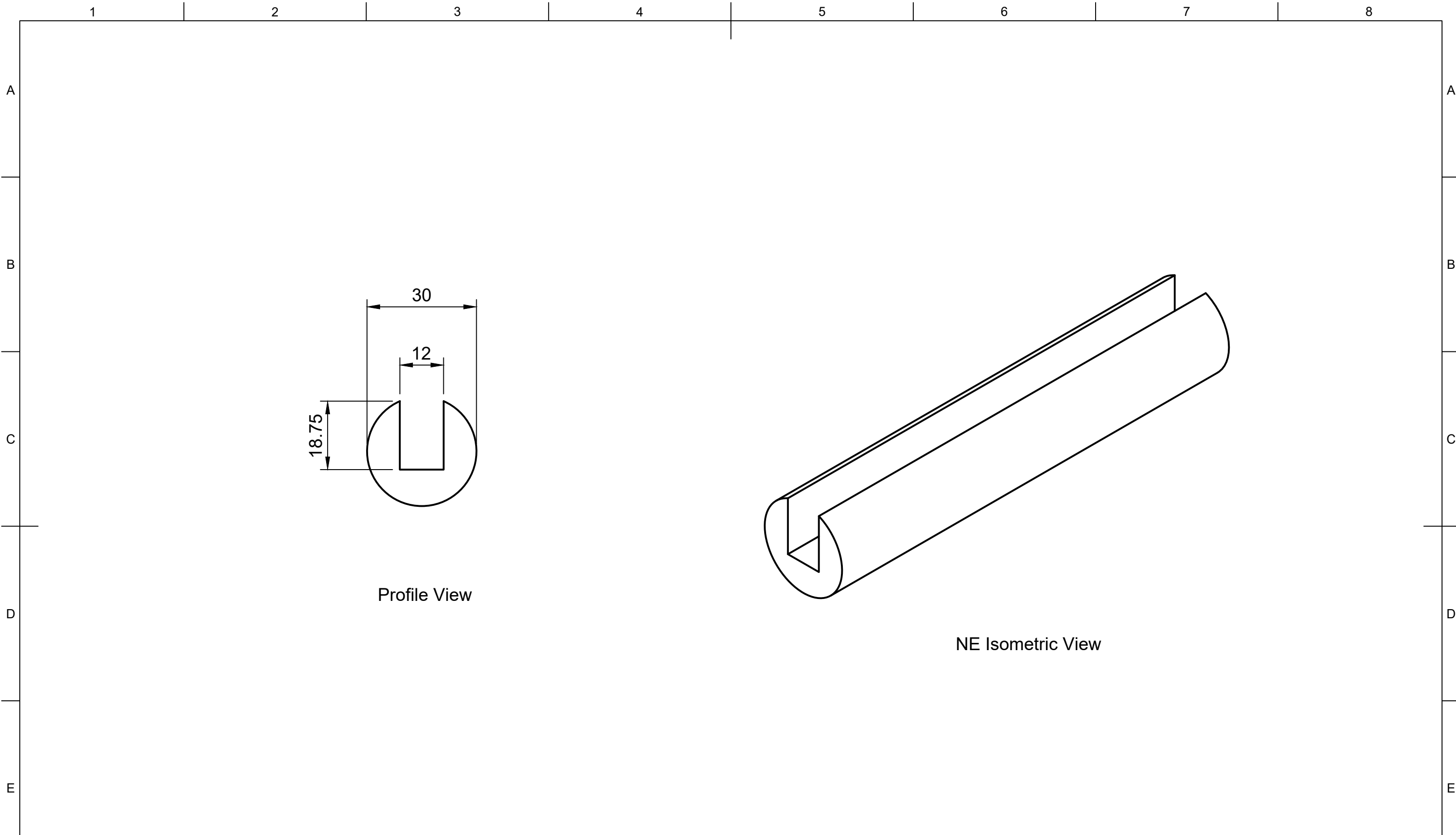
	Part Number				Created By		Cross Sectional Area (mm²)		Nominal Dimension (mm)		Tolerance, ± (mm)
	204705				David Stirling		472		Greater Than	Less Than or Equal to	
					Date Drawn		Material		0.00	1.50	0.40
					04/07/2020		EPDM		1.50	2.50	0.50
	Description				Approved By		Hardness (Shore A)		2.50	4.00	0.70
	Cord (Slotted)						70		4.00	6.30	0.80
					Date of Approval		Colour		6.30	10.00	1.00
							Black		10.00	16.00	1.30
							Weight (g/m)		16.00	25.00	1.60
							595		25.00	40.00	2.00
Revision	Date of Issue	Sheet Scale	Sheet Size	Sheet	Projection			40.00	63.00	2.50	
A	27/01/2022	1:1	A3	1/1	3rd Agl.			63.00	100.00	3.20	
								100.00		3.20%	



Part Number		204912			Created By	David Stirling	Cross Sectional Area (mm ²)	548		Nominal Dimension (mm)		Tolerance, ± (mm)
					Date Drawn	04/07/2020	Material	EPDM	Greater Than	Less Than or Equal to		
Description		Cord (Slotted)			Approved By		Hardness (Shore A)	70		0.00	1.50	0.40
					Date of Approval		Colour	Black	1.50	2.50	0.50	
Revision	Date of Issue	Sheet Scale	Sheet Size	Sheet	Projection	3rd Agl.	Weight (g/m)	690		2.50	4.00	0.70
A	27/01/2022	1:1	A3	1/1					6.30	10.00	1.00	
				10.00					16.00	1.30		
								16.00	25.00	1.60		
								25.00	40.00	2.00		
								40.00	63.00	2.50		
								63.00	100.00	3.20		
								100.00		3.20%		



Part Number 206152	Created By David Stirling		Cross Sectional Area (mm ²) 209		Nominal Dimension (mm)		Tolerance, ± (mm)
	Date Drawn 03/07/2020		Material EPDM		Greater Than	Less Than or Equal to	
Description Cord (Slotted)	Approved By		Hardness (Shore A) 70		0.00	1.50	0.40
	Date of Approval		Colour Black		1.50	2.50	0.50
Revision A	Date of Issue 31/01/2022	Sheet Scale 1:1	Sheet Size A3	Sheet 1/1	Projection 3rd Agl.		2.50
				Weight (g/m) 263		2.50	0.70
						4.00	1.00
						6.30	1.30
						10.00	1.60
						16.00	2.00
						25.00	2.50
						40.00	3.20
						63.00	3.20%
						100.00	3.20%



Profile View

NE Isometric View



	Part Number				Created By		Cross Sectional Area (mm²)		Nominal Dimension (mm)		Tolerance, ± (mm)	
	206292				David Stirling		472		Greater Than	Less Than or Equal to		
	Description				Date Drawn		Material		0.00	1.50	0.40	
					27/01/2022		Nitrile		1.50	2.50	0.50	
	Cord (Slotted)				Approved By		Hardness (Shore A)		2.50	4.00	0.70	
					Date of Approval		70		4.00	6.30	0.80	
									6.30	10.00	1.00	
									10.00	16.00	1.30	
	Revision				Colour		Weight (g/m)		16.00	25.00	1.60	
					A		27/01/2022		Black		25.00	40.00
Date of Issue		Sheet Scale		Sheet Size		Sheet		Projection		40.00	63.00	2.50
27/01/2022		1:1		A3		1/1		3rd Agl.		63.00	100.00	3.20
										100.00		3.20%