

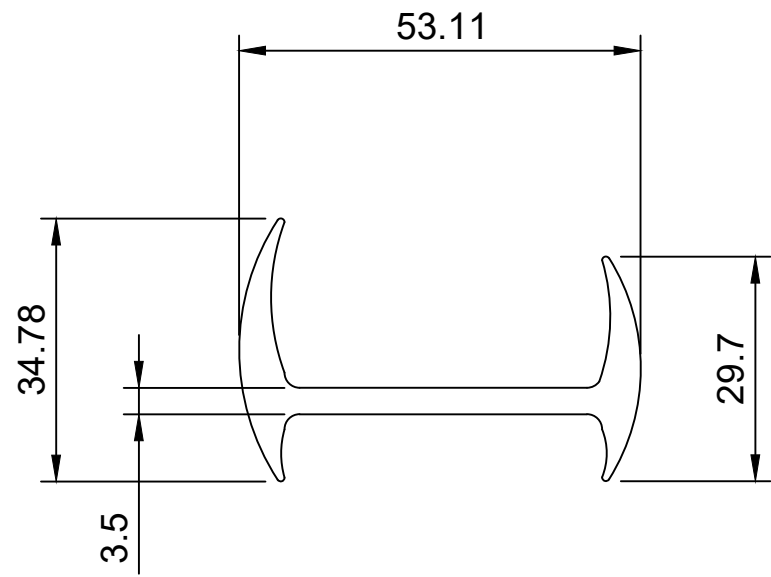


## Container Door Seals

1 2 3 4 5 6 7 8

A

A

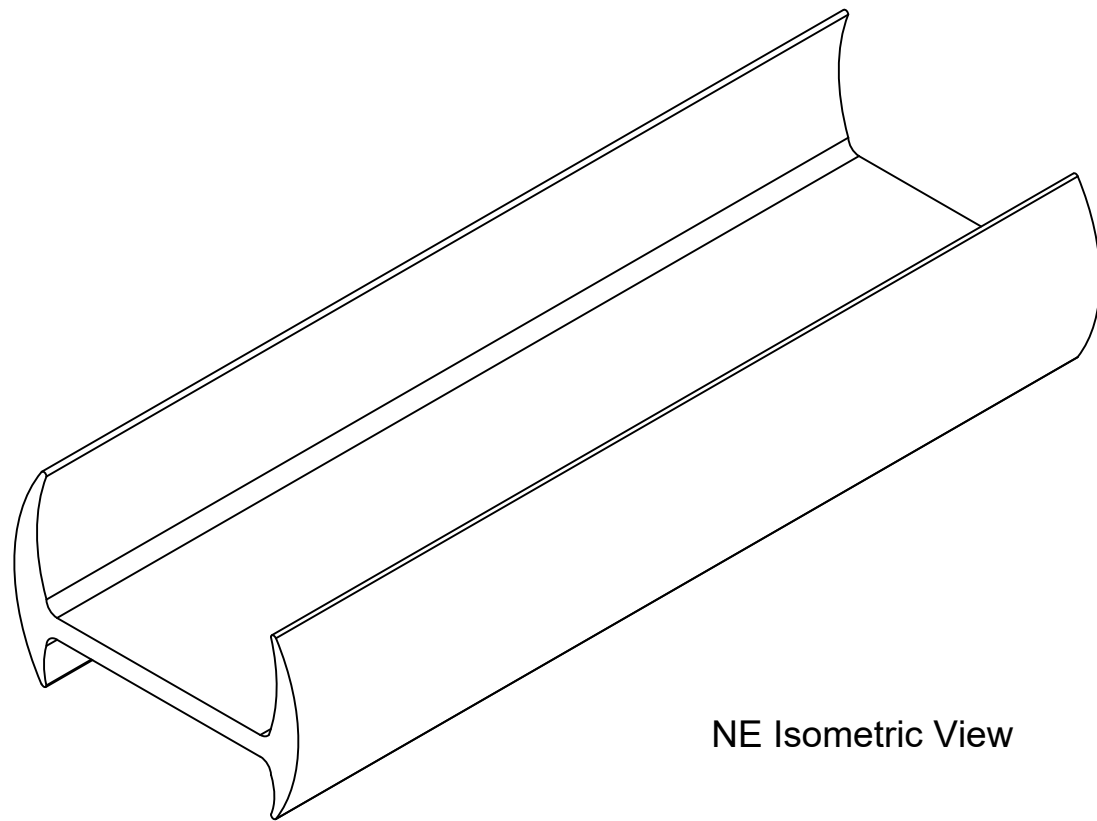


B

B

C

C



D

D

E

E

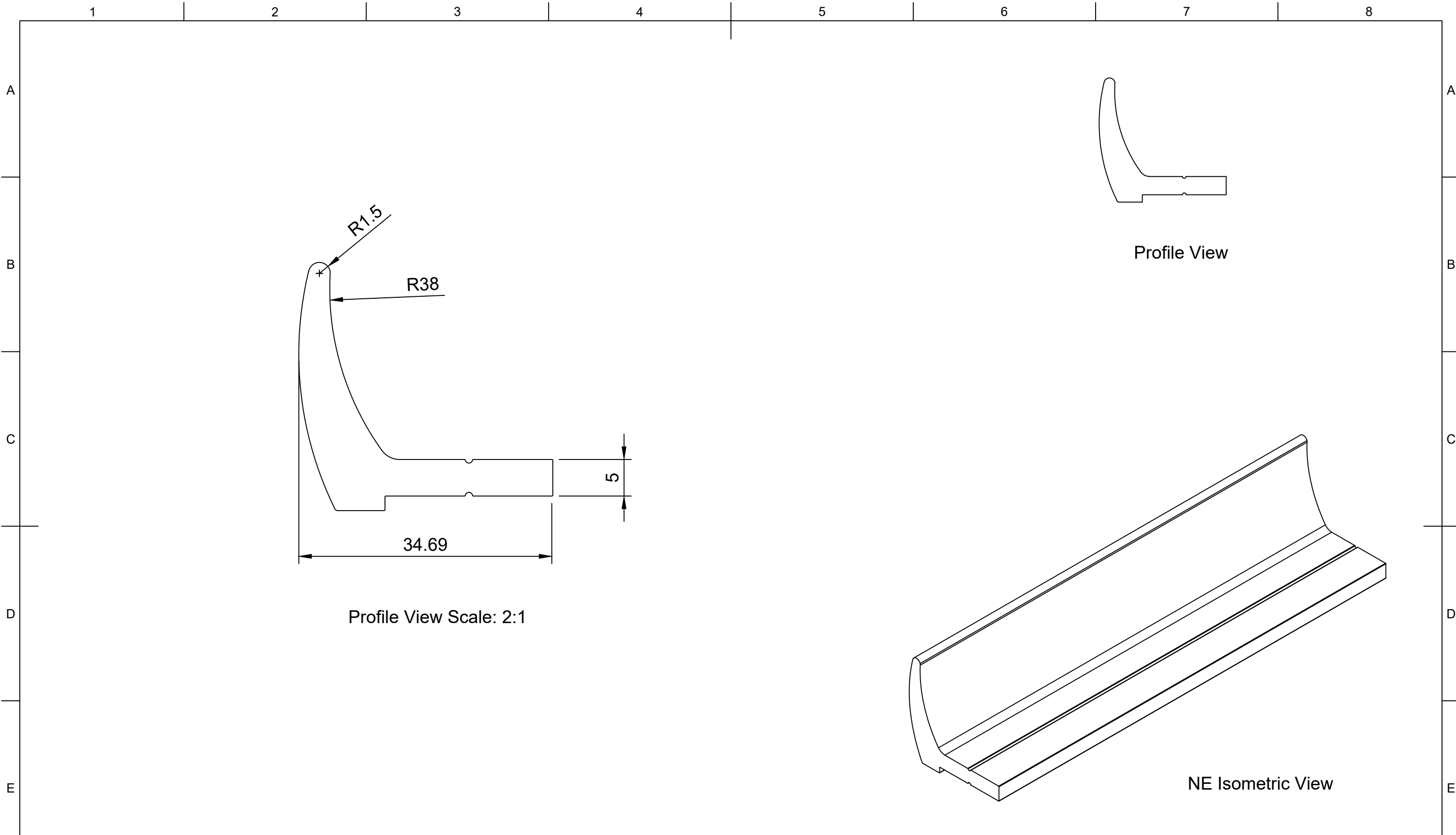


Part Number		200261			Created By	David Stirling	Cross Sectional Area (mm <sup>2</sup> )	372		Nominal Dimension (mm)		Tolerance, ± (mm)		
					Date Drawn	15/04/2020	Material	EPDM	Greater Than	Less Than or Equal to	0.00		1.50	0.40
Description					Approved By		Hardness (Shore A)		70		2.50	4.00	0.70	
											4.00	6.30	0.80	
Revision					Date of Issue		Date of Approval		Colour		6.30	10.00	1.00	
											10.00	16.00	1.30	
A		14/01/2022		Sheet Scale		Sheet Size		Sheet		Projection		16.00	25.00	1.60
												25.00	40.00	2.00
1:1		A3		1/1		3rd Agl.		Weight (g/m)		580		40.00	63.00	2.50
												63.00	100.00	3.20
												100.00		3.20%

F

F

1 2 3 4 5 6 7 8



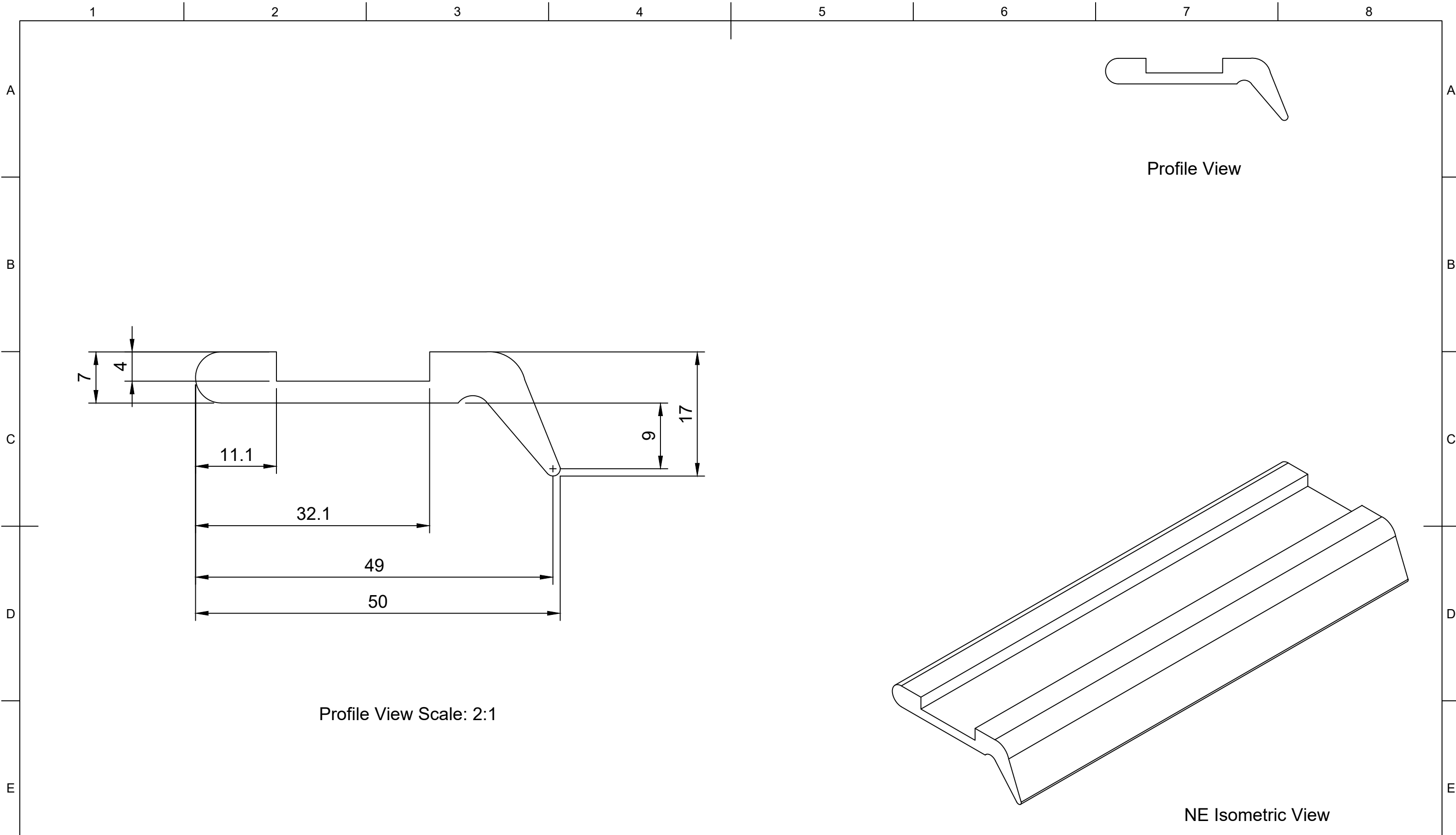
Profile View Scale: 2:1

Profile View

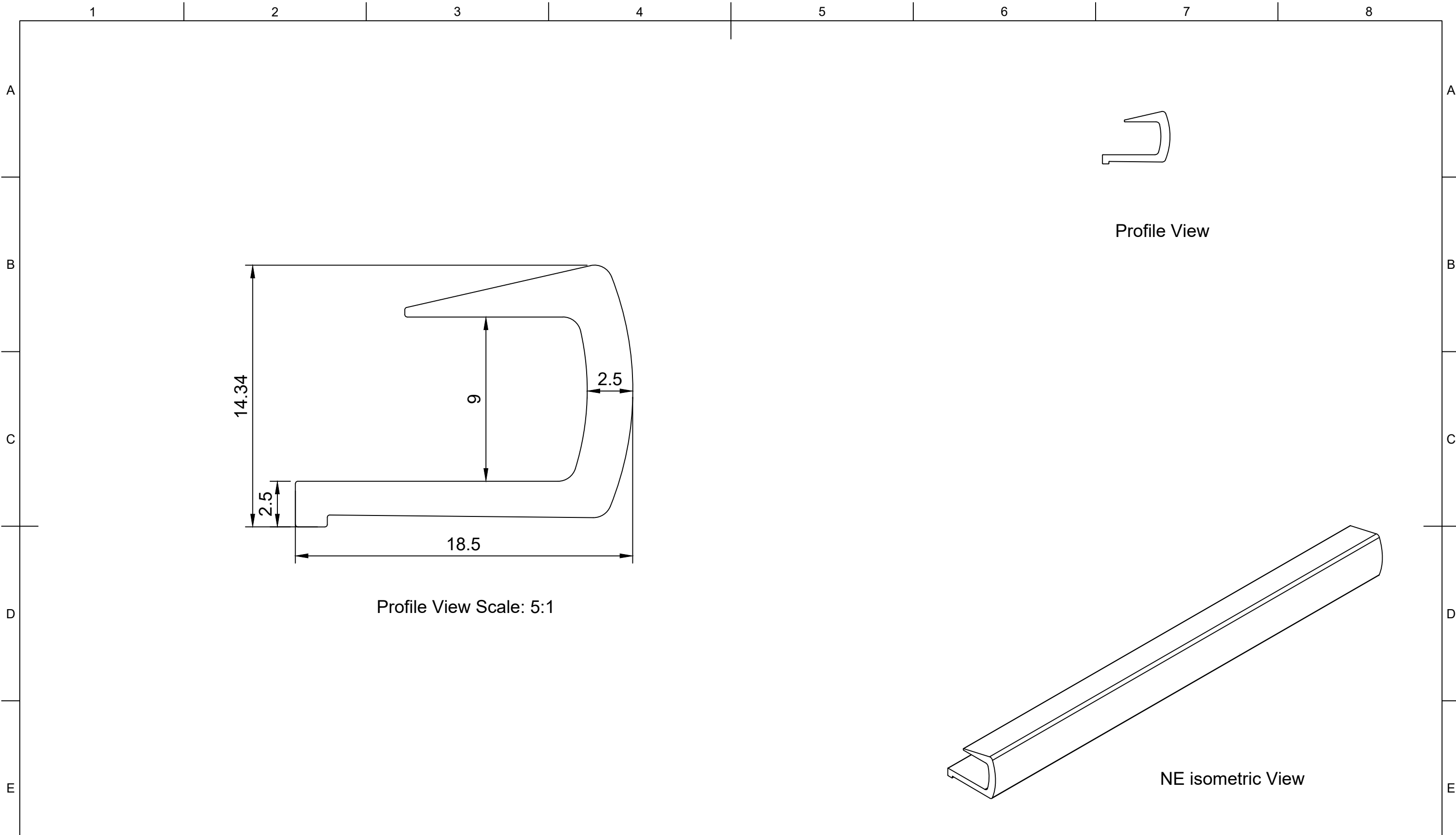
NE Isometric View



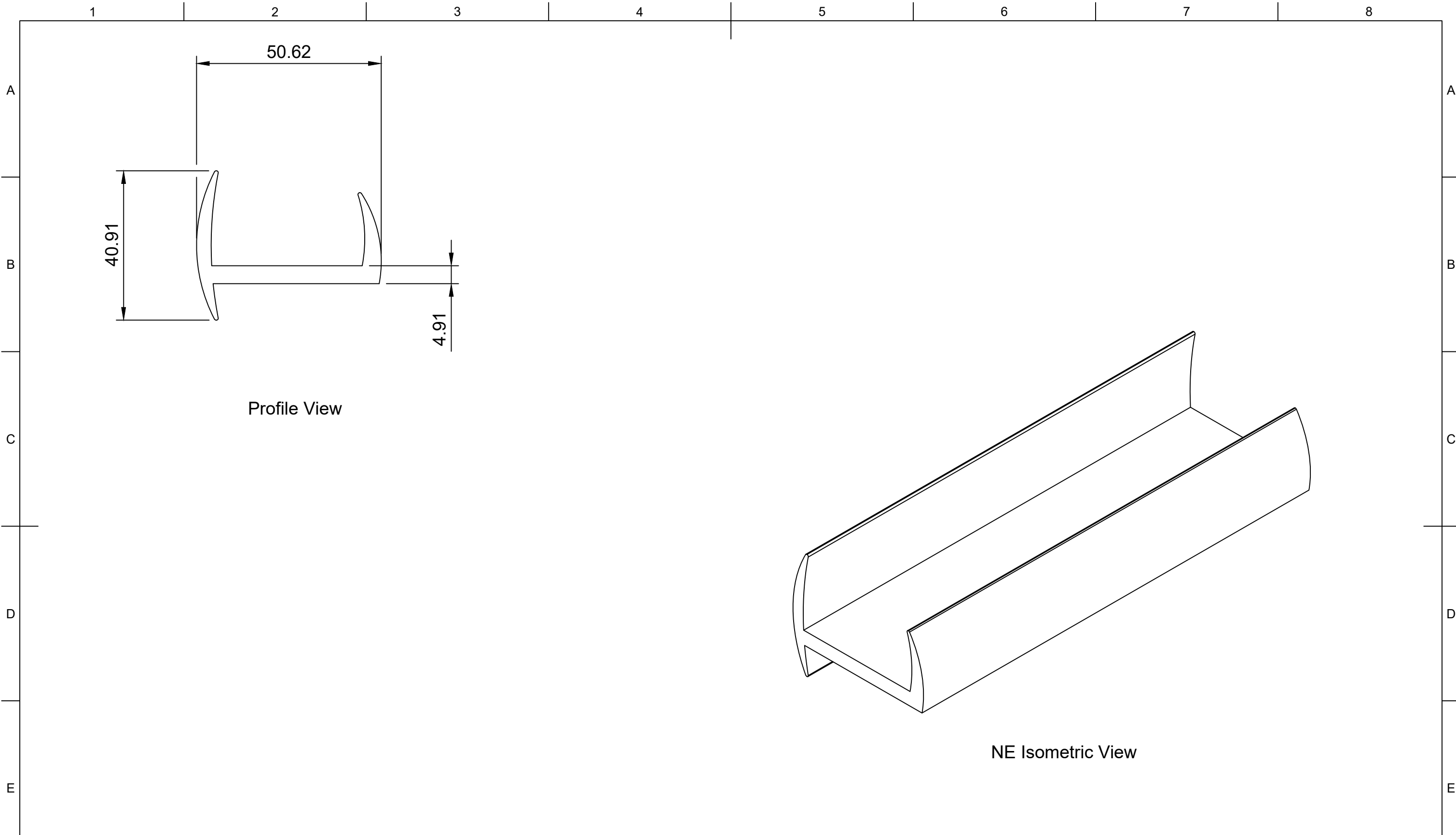
	<b>Part Number</b>				<b>Created By</b>		<b>Cross Sectional Area (mm<sup>2</sup>)</b>		<b>Nominal Dimension (mm)</b>		<b>Tolerance, ± (mm)</b>
	200406				David Stirling		329		<b>Greater Than</b>	<b>Less Than or Equal to</b>	
					<b>Date Drawn</b>		<b>Material</b>		0.00	1.50	0.40
					03/07/2020		EPDM		1.50	2.50	0.50
	<b>Description</b>				<b>Approved By</b>		<b>Hardness (Shore A)</b>		2.50	4.00	0.70
	Container Door Seal						70		4.00	6.30	0.80
					<b>Date of Approval</b>		<b>Colour</b>		6.30	10.00	1.00
							Black		10.00	16.00	1.30
							<b>Weight (g/m)</b>		16.00	25.00	1.60
							415		25.00	40.00	2.00
<b>Revision</b>	<b>Date of Issue</b>	<b>Sheet Scale</b>	<b>Sheet Size</b>	<b>Sheet</b>	<b>Projection</b>			40.00	63.00	2.50	
A	27/01/2022	1:1	A3	1/1	3rd Agl.			63.00	100.00	3.20	
								100.00		3.20%	



Part Number		200675			Created By	David Stirling	Cross Sectional Area (mm <sup>2</sup> )	262		Nominal Dimension (mm)		Tolerance, ± (mm)
					Date Drawn	07/07/2020	Material	EPDM	Greater Than	Less Than or Equal to	0.00	
Description		Container Door Seal			Approved By		Hardness (Shore A)	70		2.50	4.00	0.70
					Date of Approval		Colour	Black	4.00	6.30	0.80	6.30
Revision	Date of Issue	Sheet Scale	Sheet Size	Sheet	Projection	3rd Agl.	Weight (g/m)	330		10.00	16.00	1.30
A	27/01/2022	1:1	A3	1/1			25.00	40.00	2.00	16.00	25.00	1.60
										40.00	63.00	2.50
										63.00	100.00	3.20
										100.00		3.20%


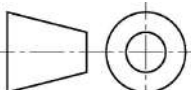


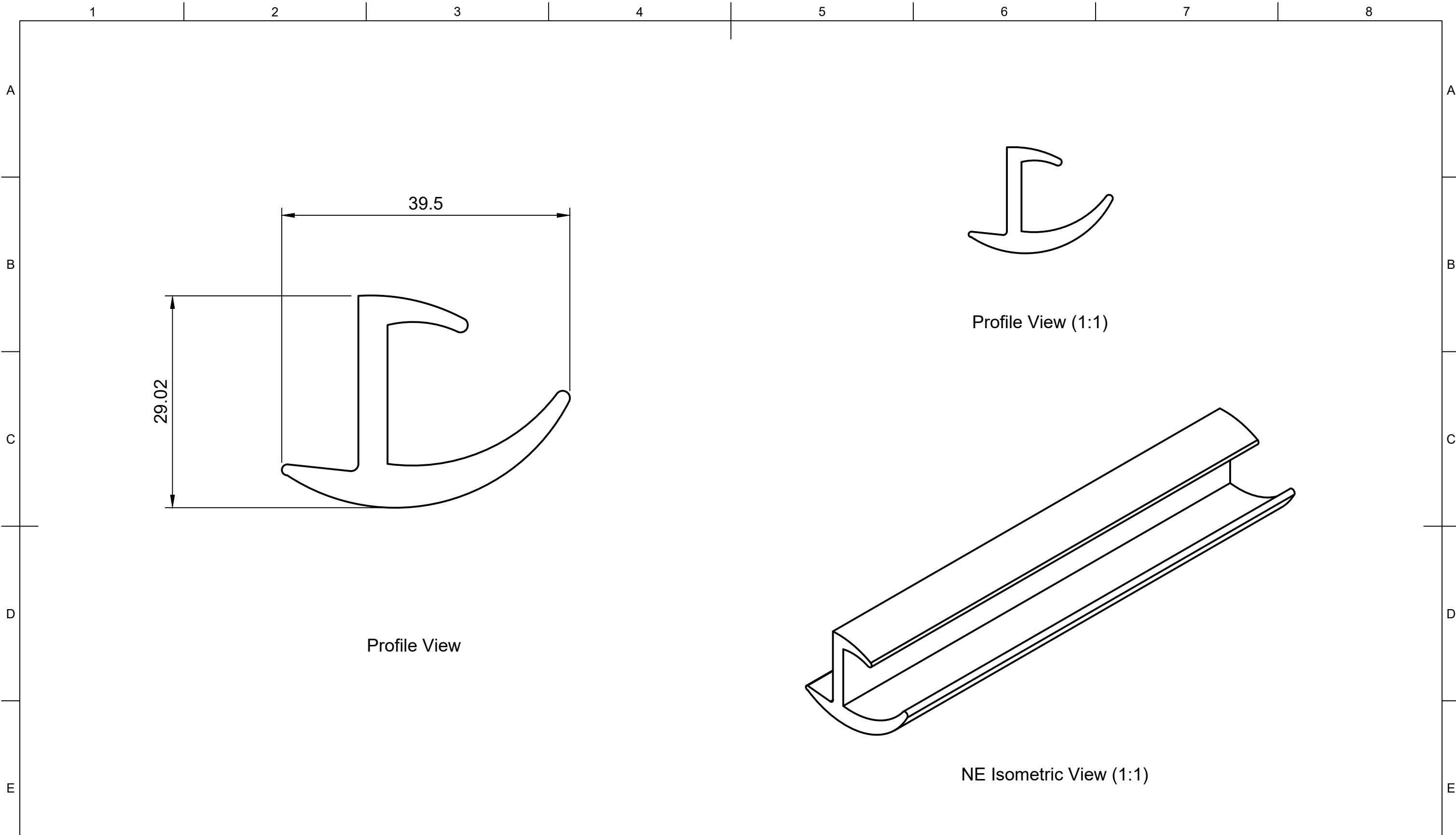
	<b>Part Number</b>				<b>Created By</b>		<b>Cross Sectional Area (mm<sup>2</sup>)</b>		<b>Nominal Dimension (mm)</b>		<b>Tolerance, ± (mm)</b>
	200695				David Stirling		78		<b>Greater Than</b>	<b>Less Than or Equal to</b>	
					<b>Date Drawn</b>		<b>Material</b>		0.00	1.50	0.40
					29/06/2020		EPDM		1.50	2.50	0.50
	<b>Description</b>				<b>Approved By</b>		<b>Hardness (Shore A)</b>		2.50	4.00	0.70
	Container Door Seal						70		4.00	6.30	0.80
					<b>Date of Approval</b>		<b>Colour</b>		6.30	10.00	1.00
							Black		10.00	16.00	1.30
									16.00	25.00	1.60
									25.00	40.00	2.00
<b>Revision</b>	<b>Date of Issue</b>	<b>Sheet Scale</b>	<b>Sheet Size</b>	<b>Sheet</b>	<b>Projection</b>	<b>Weight (g/m)</b>		40.00	63.00	2.50	
A	26/01/2022	1:1	A3	1/1	3rd Agl.	98		63.00	100.00	3.20	
								100.00	---	3.20%	



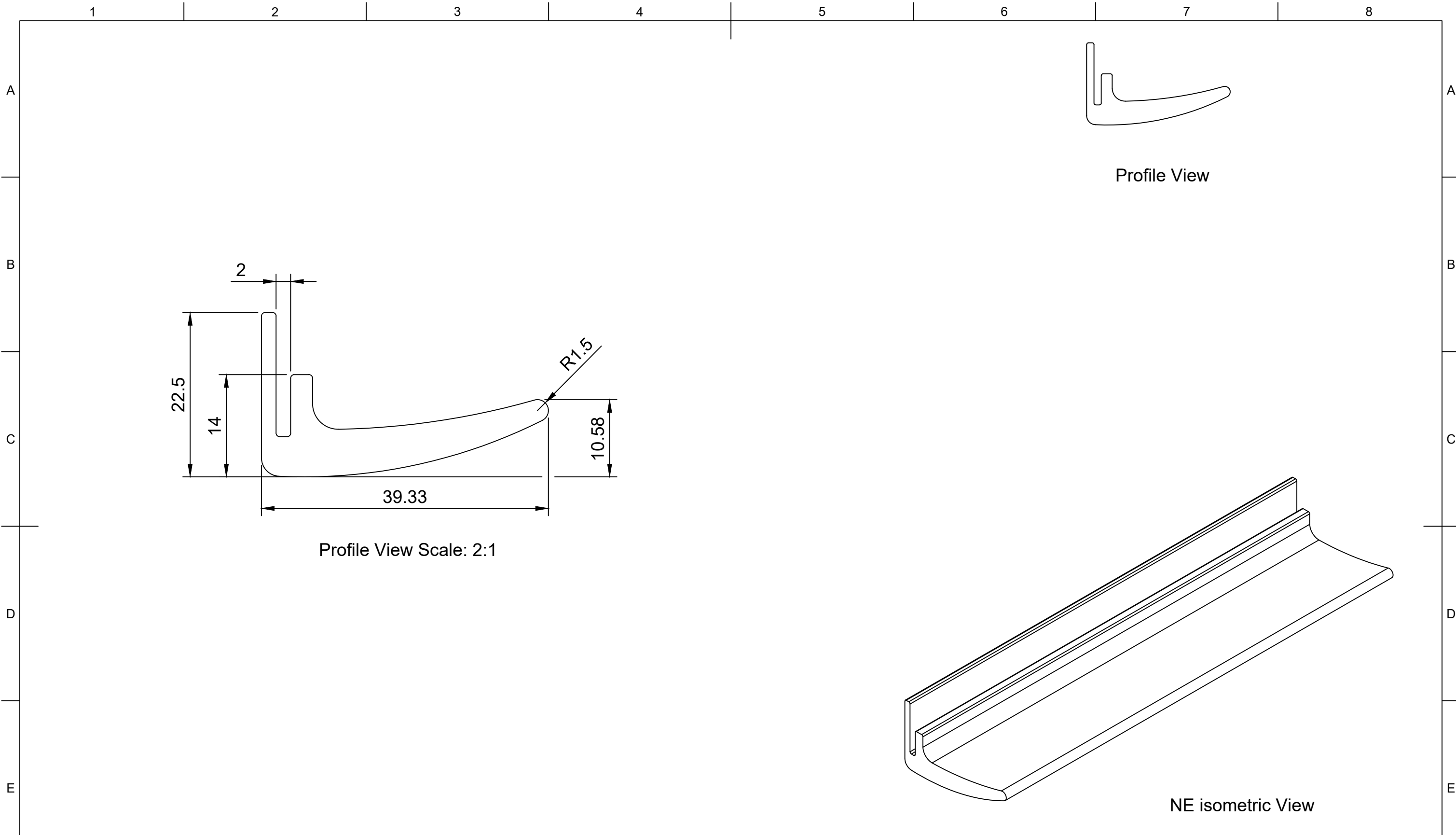
Profile View

NE Isometric View

	<b>Part Number</b>				<b>Created By</b>		<b>Cross Sectional Area (mm<sup>2</sup>)</b>		<b>Nominal Dimension (mm)</b>		<b>Tolerance, ± (mm)</b>
	200859				David Stirling		417		<b>Greater Than</b>	<b>Less Than or Equal to</b>	
	<b>Description</b>				<b>Date Drawn</b>		<b>Material</b>		0.00	1.50	0.40
					15/04/2020		EPDM		1.50	2.50	0.50
	Container Door Seal - J Section				<b>Approved By</b>		<b>Hardness (Shore A)</b>		2.50	4.00	0.70
					Date of Approval		70		4.00	6.30	0.80
							<b>Colour</b>		6.30	10.00	1.00
							Black		10.00	16.00	1.30
	<b>Revision</b>				<b>Projection</b>		<b>Weight (g/m)</b>		16.00	25.00	1.60
	A	18/01/2022	1:1	A3	1/1	3rd Agl.	525		25.00	40.00	2.00
								40.00	63.00	2.50	
								63.00	100.00	3.20	
								100.00		3.20%	

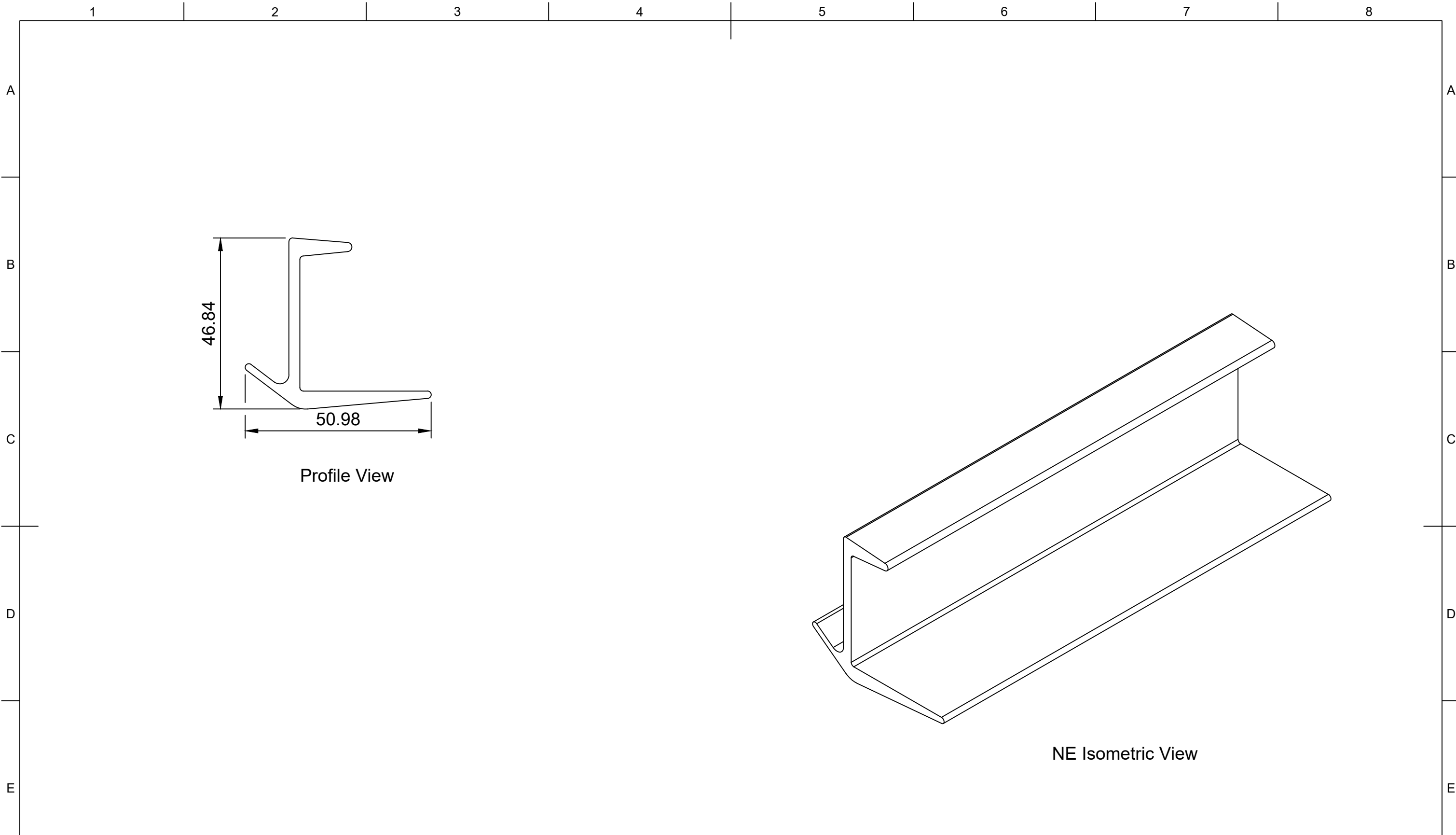


Part Number		200980			Created By		Cross Sectional Area (mm <sup>2</sup> )		Nominal Dimension (mm)		Tolerance, ± (mm)
					David Stirling		299		Greater Than	Less Than or Equal to	
Description		Container Door Seal - J Section			Date Drawn		Material		0.00	1.50	0.40
					14/01/2022		Neoprene		1.50	2.50	0.50
Revision		Date of Issue			Approved By		Hardness (Shore A)		2.50	4.00	0.70
							70		4.00	6.30	0.80
A		14/01/2022			Date of Approval		Colour		6.30	10.00	1.00
							Black		10.00	16.00	1.30
Sheet Scale		Sheet Size			Sheet		Projection		16.00	25.00	1.60
									2:1	A3	1/1
Weight (g/m)		430			3rd Agl.				40.00	63.00	2.50
									63.00	100.00	3.20
									100.00		3.20%

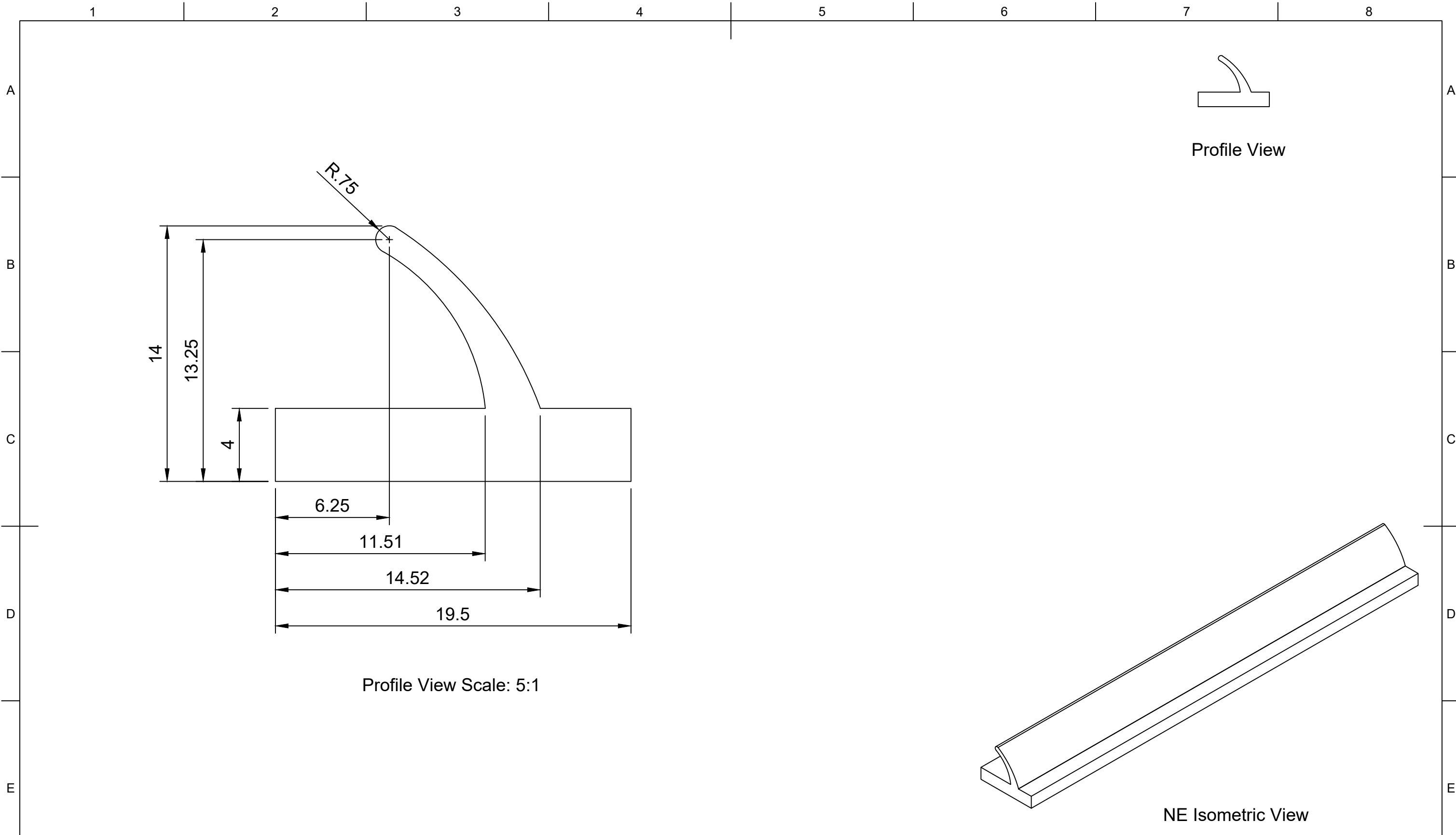


	<b>Part Number</b>				<b>Created By</b>		<b>Cross Sectional Area (mm<sup>2</sup>)</b>		<b>Nominal Dimension (mm)</b>		<b>Tolerance, ± (mm)</b>					
	201866				David Stirling		265		<b>Greater Than</b>	<b>Less Than or Equal to</b>						
	<b>Description</b>				<b>Date Drawn</b>		<b>Material</b>		0.00		1.50	0.40				
									2.50		4.00	0.70				
	Container Door Seal				<b>Approved By</b>		<b>Hardness (Shore A)</b>		1.50		2.50	0.50				
									4.00		6.30	0.80				
	<b>Revision</b>				<b>Date of Issue</b>		<b>Sheet Scale</b>		<b>Sheet Size</b>		<b>Sheet</b>		6.30		10.00	1.00
													10.00		16.00	1.30
	A				27/01/2022		1:1		A3		1/1		16.00		25.00	1.60
													25.00		40.00	2.00
<b>Projection</b>				<b>3rd Agl.</b>				<b>Weight (g/m)</b>		40.00		63.00	2.50			
										63.00		100.00	3.20			
A				27/01/2022		1:1		A3		1/1		100.00		---	3.20%	
												334				





	<b>Part Number</b>				<b>Created By</b>		<b>Cross Sectional Area (mm<sup>2</sup>)</b>		<b>Nominal Dimension (mm)</b>		<b>Tolerance, ± (mm)</b>	
	202740				David Stirling		348		<b>Greater Than</b>	<b>Less Than or Equal to</b>		
	<b>Description</b>				<b>Date Drawn</b>		<b>Material</b>		0.00	1.50	0.40	
	Container Door Seal - J Section				15/04/2020		EPDM		1.50	2.50	0.50	
	<b>Revision</b>				<b>Approved By</b>		<b>Hardness (Shore A)</b>		2.50	4.00	0.70	
	A	<b>Date of Issue</b>	<b>Sheet Scale</b>	<b>Sheet Size</b>	<b>Sheet</b>	<b>Date of Approval</b>		<b>Colour</b>		4.00	6.30	0.80
		14/01/2022	1:1	A3	1/1	3rd Agl.		Black		6.30	10.00	1.00
						<b>Weight (g/m)</b>				10.00	16.00	1.30
						896				16.00	25.00	1.60
										25.00	40.00	2.00
									40.00	63.00	2.50	
									63.00	100.00	3.20	
									100.00		3.20%	

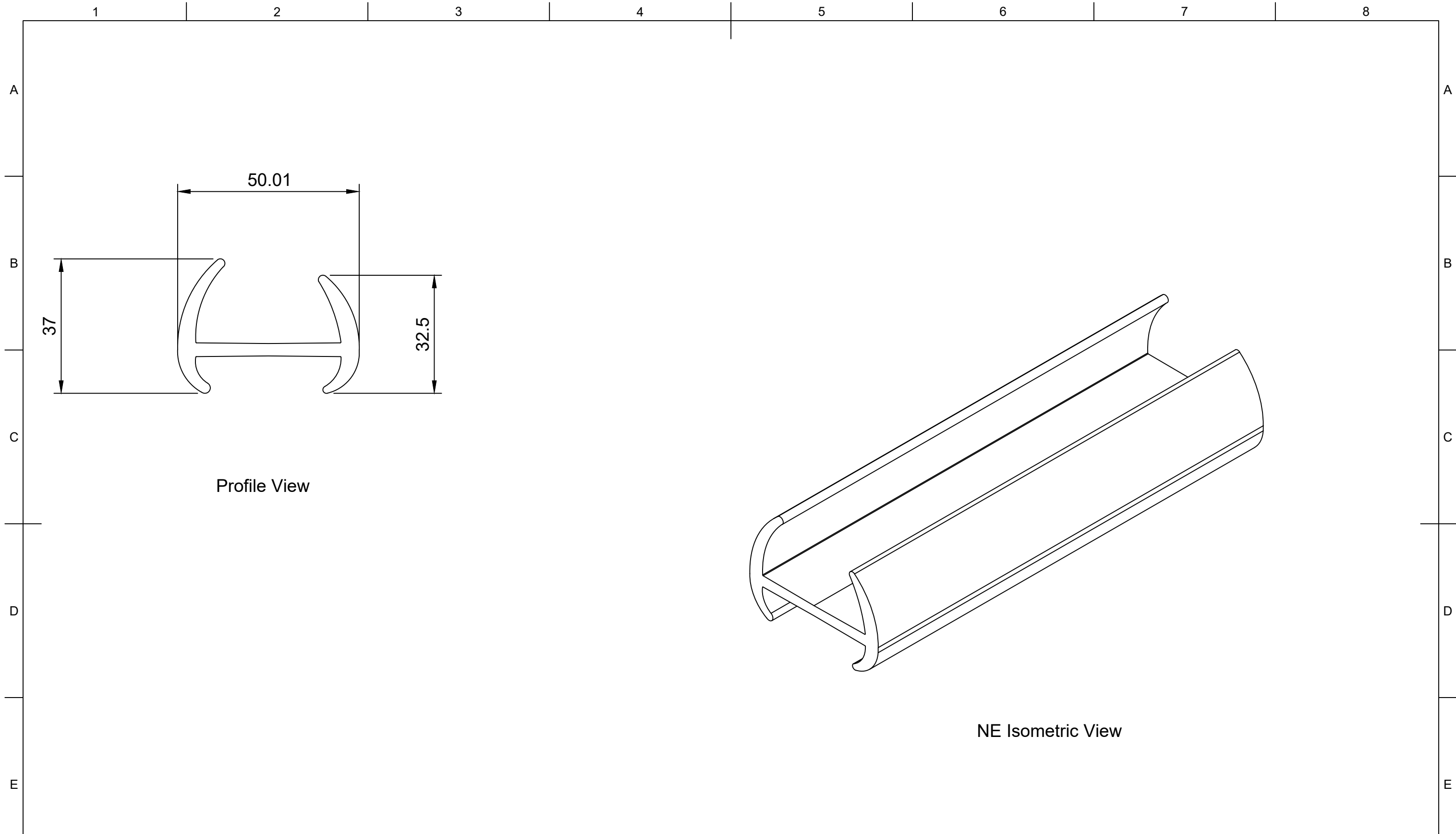


Profile View Scale: 5:1

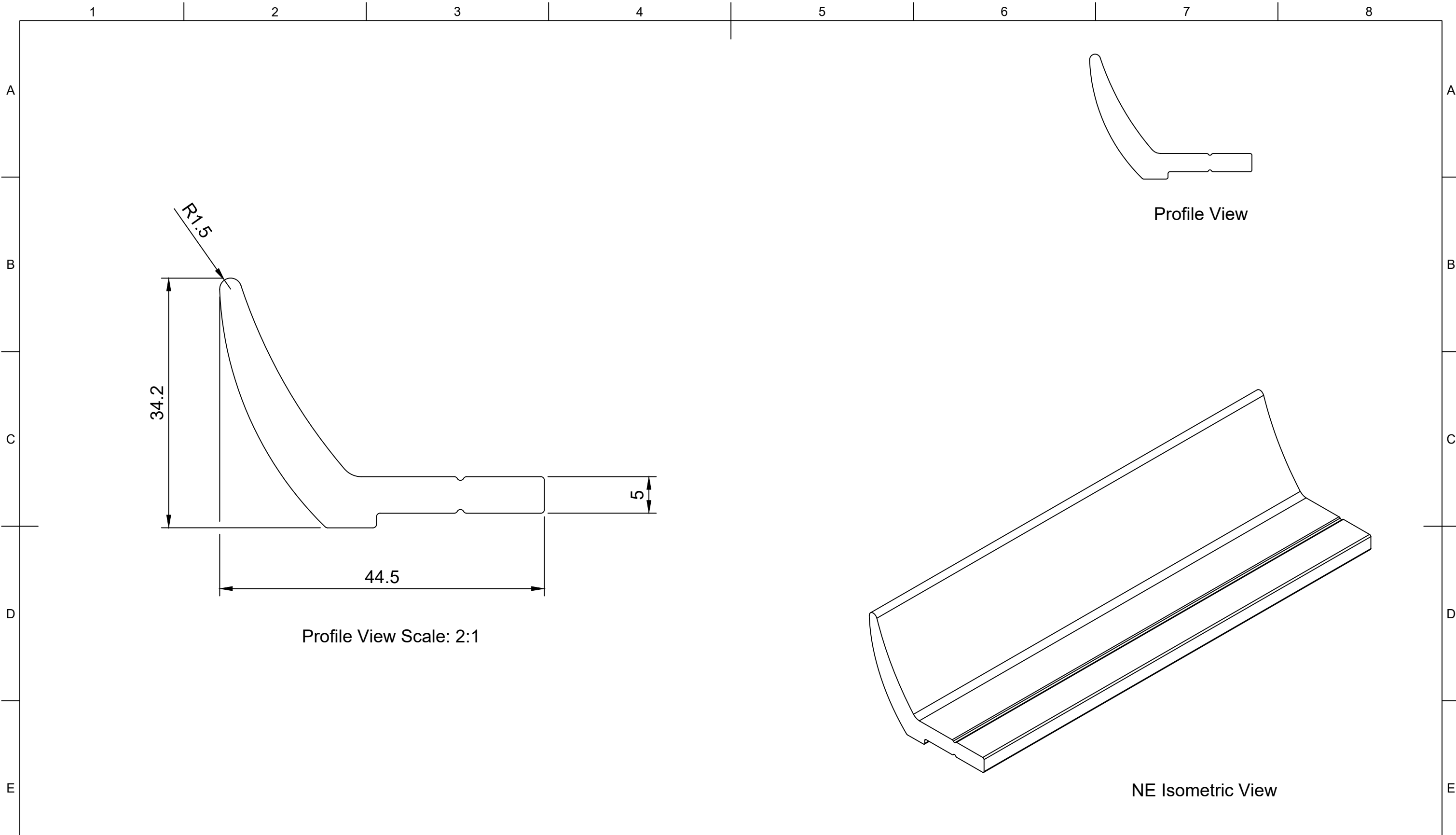
NE Isometric View



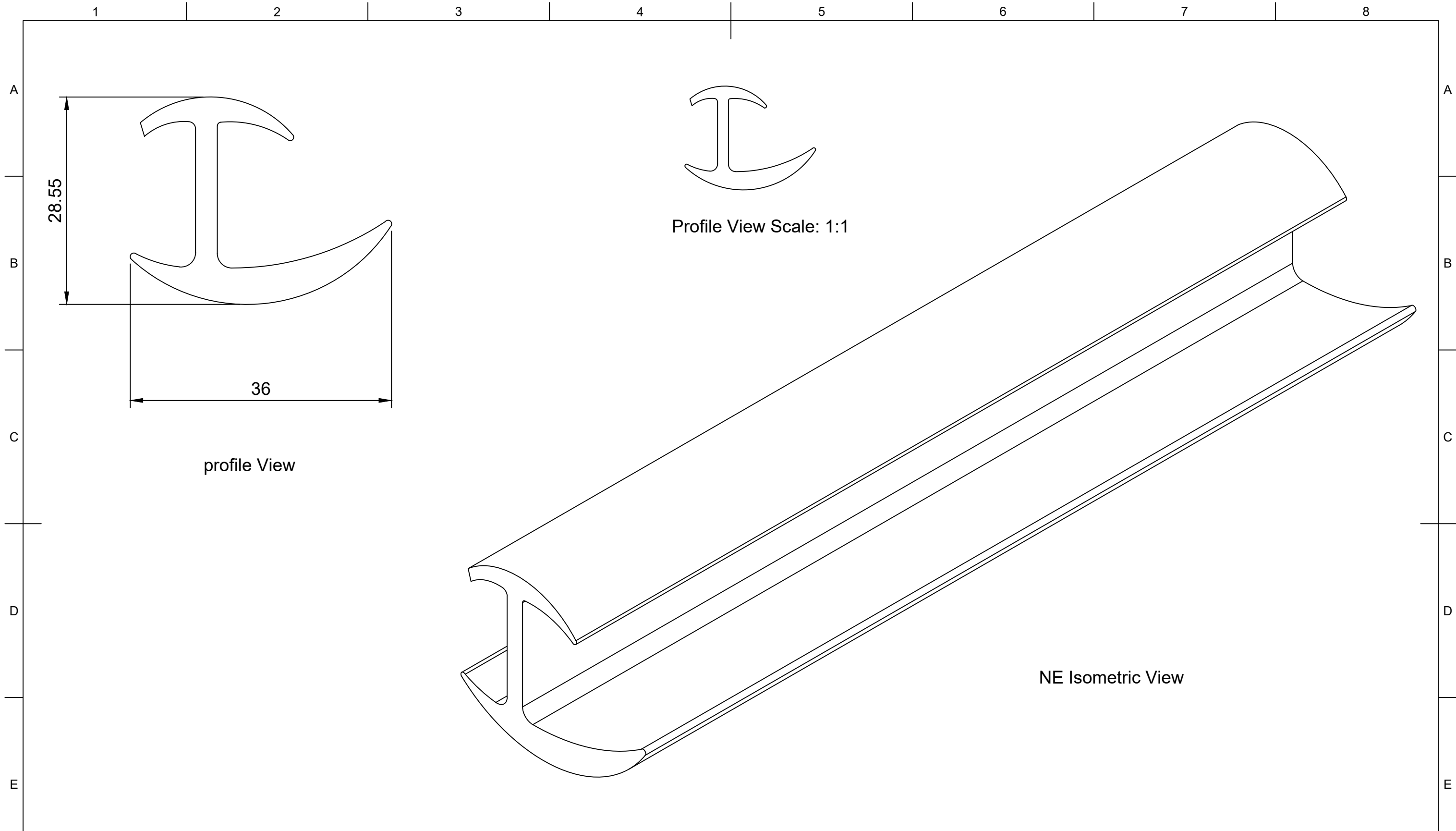
	<b>Part Number</b>				<b>Created By</b>		<b>Cross Sectional Area (mm<sup>2</sup>)</b>		<b>Nominal Dimension (mm)</b>		<b>Tolerance, ± (mm)</b>
	203911				David Stirling		101		<b>Greater Than</b>	<b>Less Than or Equal to</b>	
					<b>Date Drawn</b>		<b>Material</b>		0.00	1.50	0.40
					07/07/2020		Neoprene		1.50	2.50	0.50
	<b>Description</b>				<b>Approved By</b>		<b>Hardness (Shore A)</b>		2.50	4.00	0.70
	Container Door Seal						70		4.00	6.30	0.80
					<b>Date of Approval</b>		<b>Colour</b>		6.30	10.00	1.00
							Black		10.00	16.00	1.30
									16.00	25.00	1.60
									25.00	40.00	2.00
<b>Revision</b>	<b>Date of Issue</b>	<b>Sheet Scale</b>	<b>Sheet Size</b>	<b>Sheet</b>	<b>Projection</b>	<b>Weight (g/m)</b>		40.00	63.00	2.50	
A	28/01/2022	1:1	A3	1/1	3rd Agl.			63.00	100.00	3.20	
								100.00	---	3.20%	



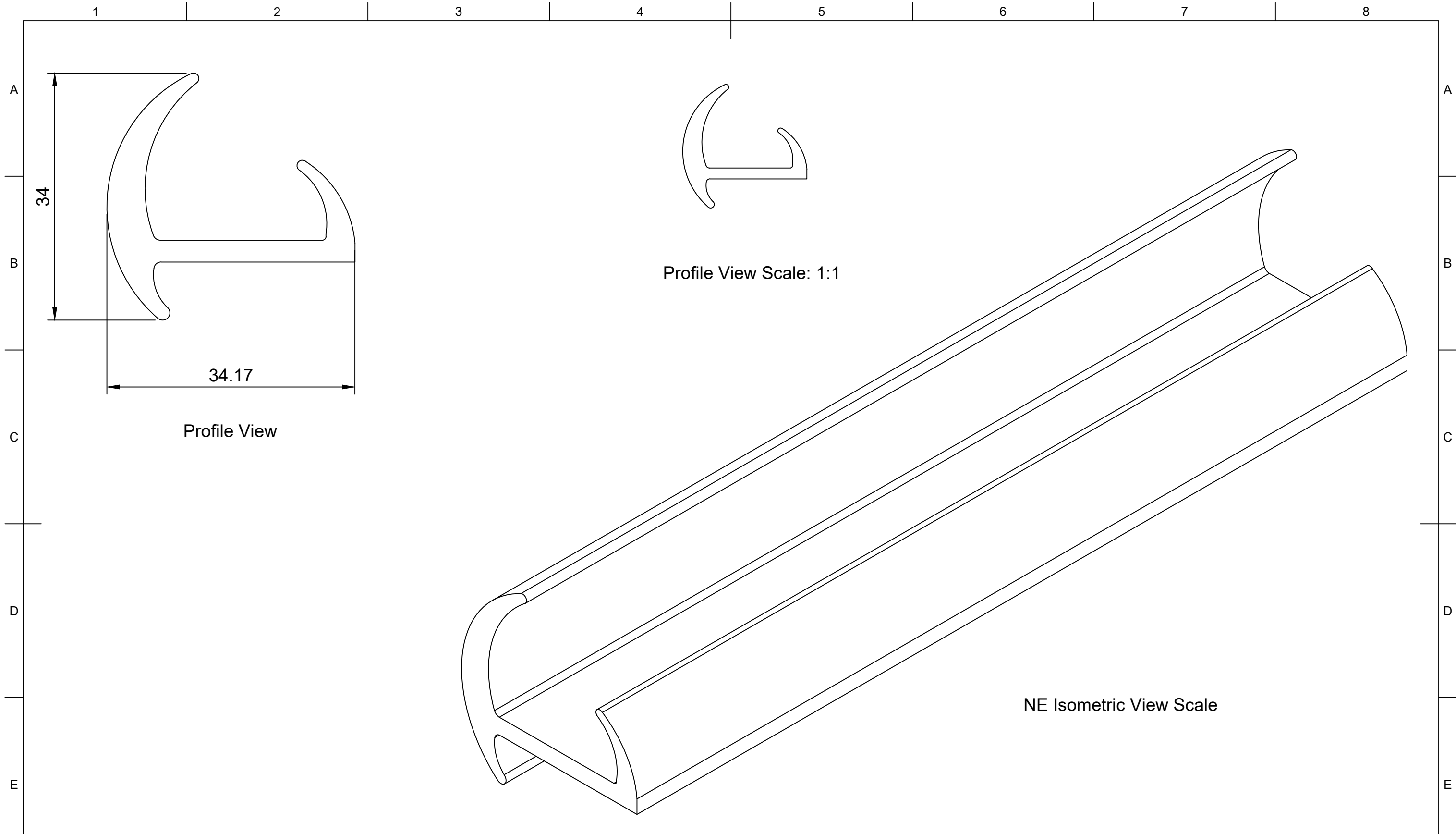
Part Number <b>204423</b>					Created By David Stirling		Cross Sectional Area (mm <sup>2</sup> ) 449		Nominal Dimension (mm)		Tolerance, ± (mm)
					Date Drawn 15/04/2020		Material EPDM		Greater Than	Less Than or Equal to	
Description <b>Container Door Seal - H Section</b>					Approved By		Hardness (Shore A) 70		0.00	1.50	0.40
					Date of Approval		Colour Black		1.50	2.50	0.50
Revision A	Date of Issue 18/01/2022	Sheet Scale 1:1	Sheet Size A3	Sheet 1/1	Projection 3rd Agl.	Weight (g/m) 570		2.50	4.00	0.70	
								4.00	6.30	0.80	
								6.30	10.00	1.00	
								10.00	16.00	1.30	
								16.00	25.00	1.60	
								25.00	40.00	2.00	
								40.00	63.00	2.50	
								63.00	100.00	3.20	
								100.00		3.20%	


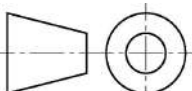


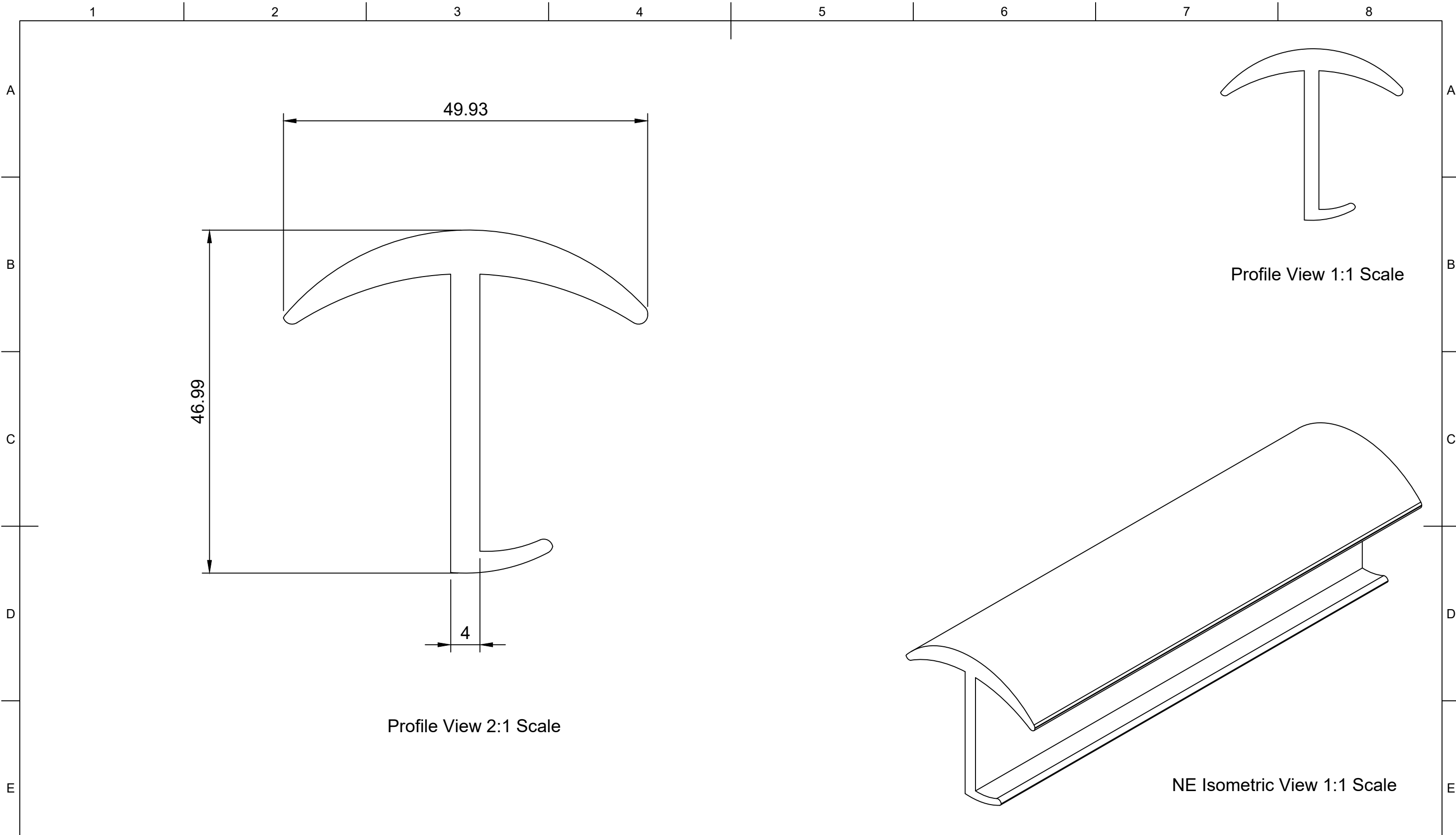
Part Number		204661			Created By	David Stirling	Cross Sectional Area (mm <sup>2</sup> )	355		Nominal Dimension (mm)		Tolerance, ± (mm)
					Date Drawn	03/07/2020	Material	EPDM	Greater Than	Less Than or Equal to		
Description		Container Door Seal			Approved By		Hardness (Shore A)	70		0.00	1.50	0.40
					Date of Approval		Colour	Black	1.50	2.50	0.50	
Revision	Date of Issue	Sheet Scale	Sheet Size	Sheet	Projection 3rd Agl.	Weight (g/m)	447		2.50	4.00	0.70	
A	27/01/2022	1:1	A3	1/1			6.30	10.00	1.00			
									10.00	16.00	1.30	
									16.00	25.00	1.60	
									25.00	40.00	2.00	
									40.00	63.00	2.50	
									63.00	100.00	3.20	
									100.00		3.20%	



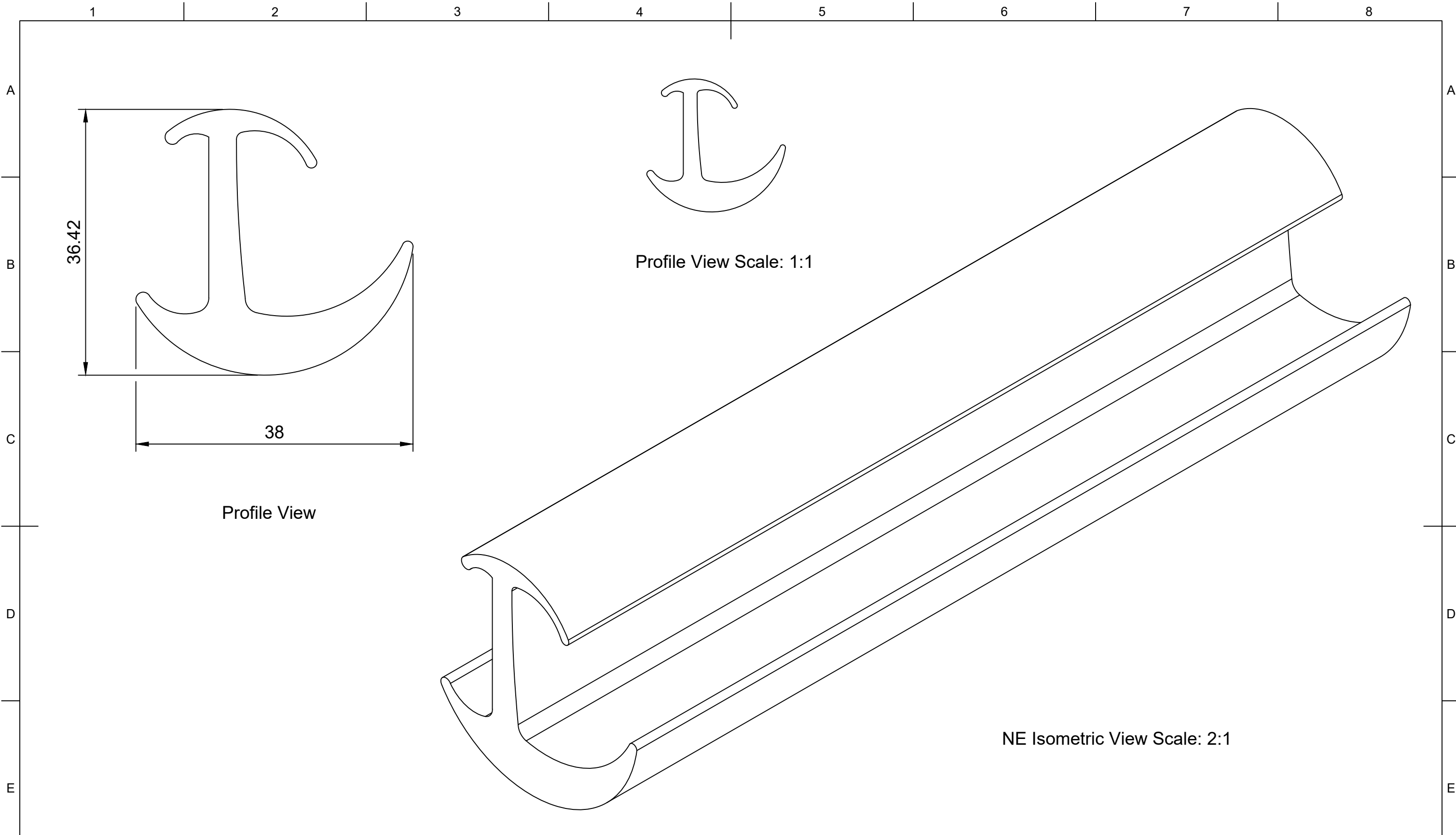
Part Number		206117			Created By	David Stirling	Cross Sectional Area (mm <sup>2</sup> )	257		Nominal Dimension (mm)		Tolerance, ± (mm)
					Date Drawn	15/04/2020	Material	EPDM	Greater Than	Less Than or Equal to	0.00	
Description		Container Door Seal - H Section			Approved By		Hardness (Shore A)	70		2.50	4.00	0.70
					Date of Approval		Colour	Black	4.00	6.30	0.80	6.30
Revision	Date of Issue	Sheet Scale	Sheet Size	Sheet	Projection	3rd Agl.	Weight (g/m)	322		10.00	16.00	1.30
A	14/01/2022	2:1	A3	1/1			25.00	40.00	2.00	16.00	25.00	1.60
										40.00	63.00	2.50
										63.00	100.00	3.20
										100.00		3.20%

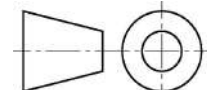


	<b>Part Number</b>				<b>Created By</b>		<b>Cross Sectional Area (mm<sup>2</sup>)</b>		<b>Nominal Dimension (mm)</b>		<b>Tolerance, ± (mm)</b>	
	206227				David Stirling		261		<b>Greater Than</b>	<b>Less Than or Equal to</b>		
	<b>Description</b>				<b>Date Drawn</b>		<b>Material</b>		0.00		0.40	
	Container Door Seal - J Section				15/04/2020		EPDM		1.50		0.50	
	<b>Revision</b>				<b>Approved By</b>		<b>Hardness (Shore A)</b>		2.50		0.70	
	A	<b>Date of Issue</b>		<b>Sheet Scale</b>		<b>Sheet Size</b>		<b>Sheet</b>		4.00		0.80
		14/01/2022		2:1		A3		1/1		6.30		1.00
	<b>Projection</b>				<b>Date of Approval</b>		<b>Colour</b>		10.00		1.30	
	3rd Agl. 						Black		16.00		1.60	
							<b>Weight (g/m)</b>		25.00		2.00	
						500		40.00		2.50		
								63.00		3.20		
								100.00		3.20%		



Part Number <b>206410</b>					Created By David Stirling		Cross Sectional Area (mm <sup>2</sup> ) 437		Nominal Dimension (mm)		Tolerance, ± (mm)
					Date Drawn 05/10/2020		Material EPDM		Greater Than	Less Than or Equal to	
Description <b>Bespoke Section</b>					Approved By		Hardness (Shore A) 70		0.00	1.50	0.40
					Date of Approval		Colour Black		1.50	2.50	0.50
Revision A	Date of Issue 14/01/2022	Sheet Scale 2:1	Sheet Size A3	Sheet 1/1	Projection 3rd Agl.	Weight (g/m) 551		2.50	4.00	0.70	
									4.00	6.30	0.80
								6.30	10.00	1.00	
								10.00	16.00	1.30	
								16.00	25.00	1.60	
								25.00	40.00	2.00	
								40.00	63.00	2.50	
								63.00	100.00	3.20	
								100.00		3.20%	

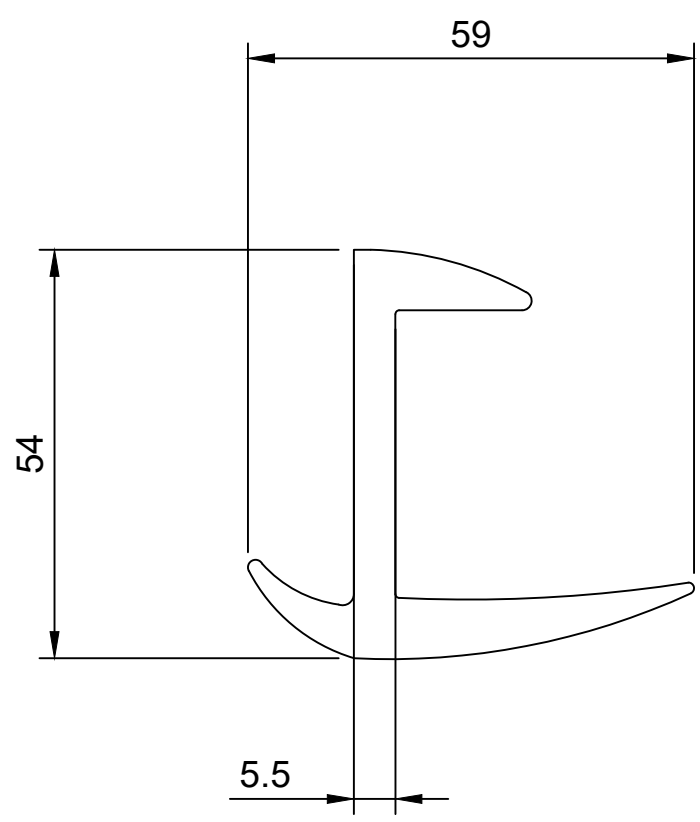


<b>Part Number</b> 206486		<b>Created By</b> David Stirling		<b>Cross Sectional Area (mm<sup>2</sup>)</b> 401		<b>Nominal Dimension (mm)</b>		<b>Tolerance, ± (mm)</b>
		<b>Date Drawn</b> 15/04/2020		<b>Material</b> EPDM		<b>Greater Than</b>	<b>Less Than or Equal to</b>	
<b>Description</b> Container Door Seal - H Section		<b>Approved By</b>		<b>Hardness (Shore A)</b> 70		0.00	1.50	0.40
		<b>Date of Approval</b>		<b>Colour</b> Black		1.50	2.50	0.50
<b>Revision</b> A	<b>Date of Issue</b> 14/01/2022	<b>Sheet Scale</b> 2:1	<b>Sheet Size</b> A3	<b>Sheet</b> 1/1	<b>Projection</b> 3rd Agl. 	<b>Weight (g/m)</b>		2.50
						25.00	40.00	2.00
						40.00	63.00	2.50
						63.00	100.00	3.20
						100.00		3.20%

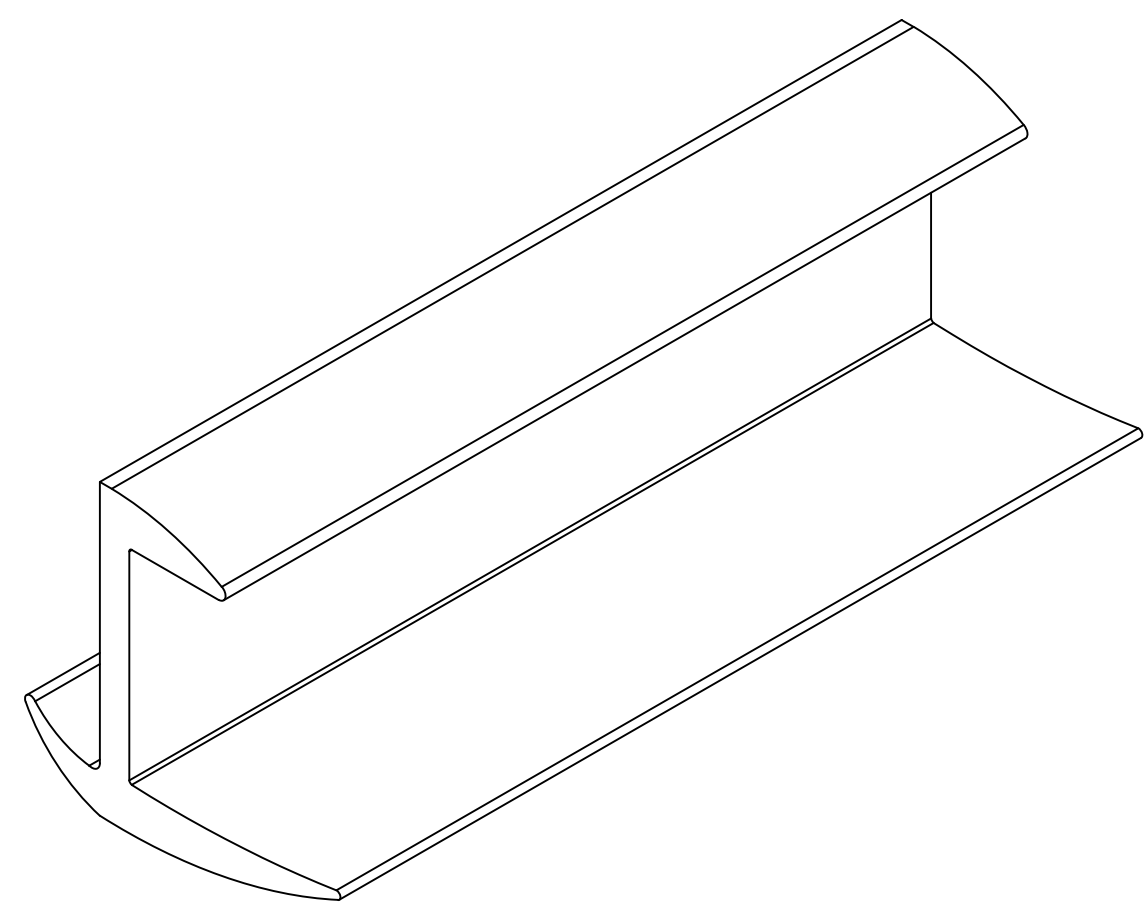


1 2 3 4 5 6 7 8

A  
B  
C  
D  
E  
F



Profile View



NE Isometric View



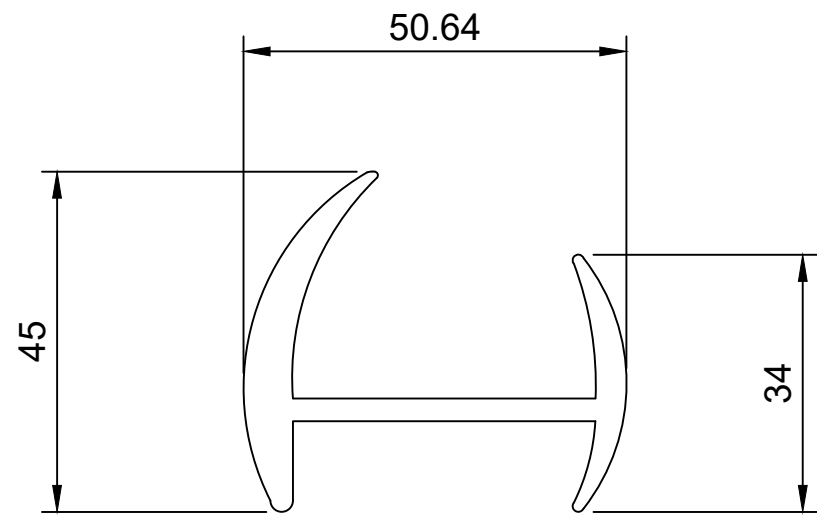
Part Number		206884			Created By	David Stirling	Cross Sectional Area (mm <sup>2</sup> )	686		Nominal Dimension (mm)		Tolerance, ± (mm)		
					Date Drawn	15/04/2020	Material	Nitrile	Greater Than	Less Than or Equal to	0.00		1.50	0.40
Description					Approved By		Hardness (Shore A)		70		2.50	4.00	0.70	
											4.00	6.30	0.80	
Revision					Date of Issue		Date of Approval		Colour		6.30	10.00	1.00	
											10.00	16.00	1.30	
A		14/01/2022		Sheet Scale		Sheet Size		Sheet		Projection		16.00	25.00	1.60
												25.00	40.00	2.00
1:1		A3		1/1		3rd Agl.		Weight (g/m)		860		40.00	63.00	2.50
												63.00	100.00	3.20
												100.00		3.20%

1 2 3 4 5 6 7 8

1 2 3 4 5 6 7 8

A

A



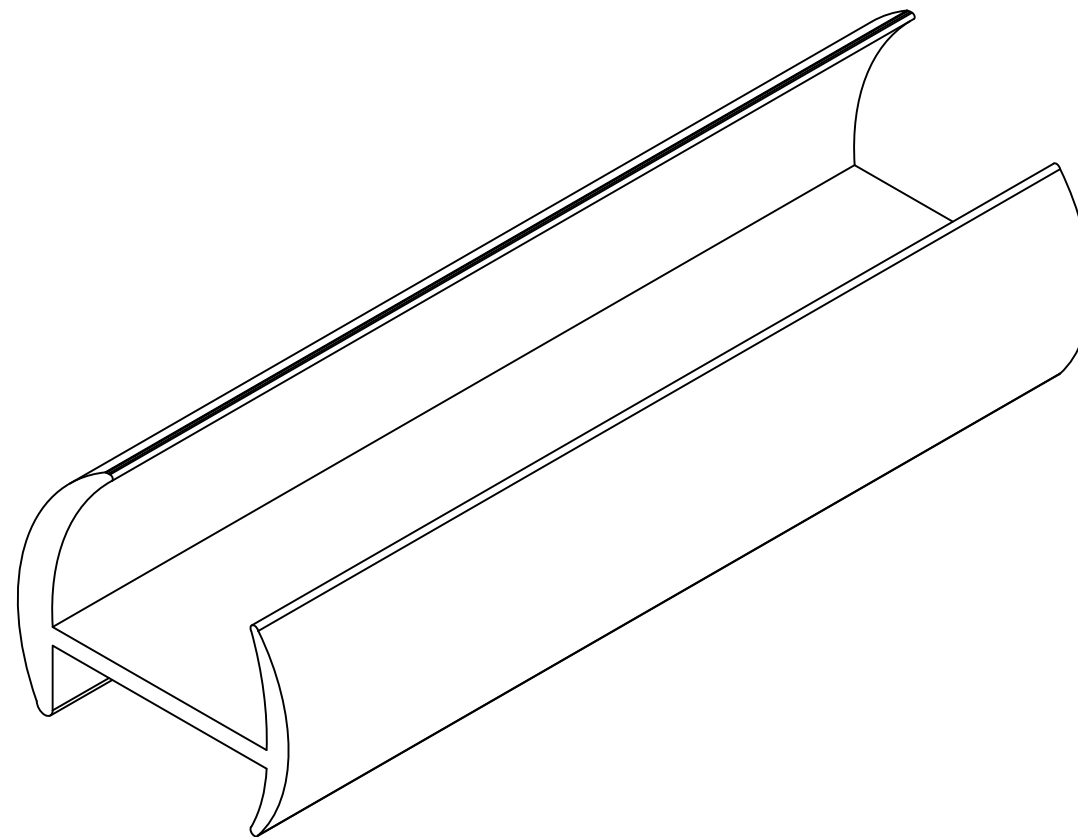
Profile View

B

B

C

C



NE Isometric View

D

D

E

E

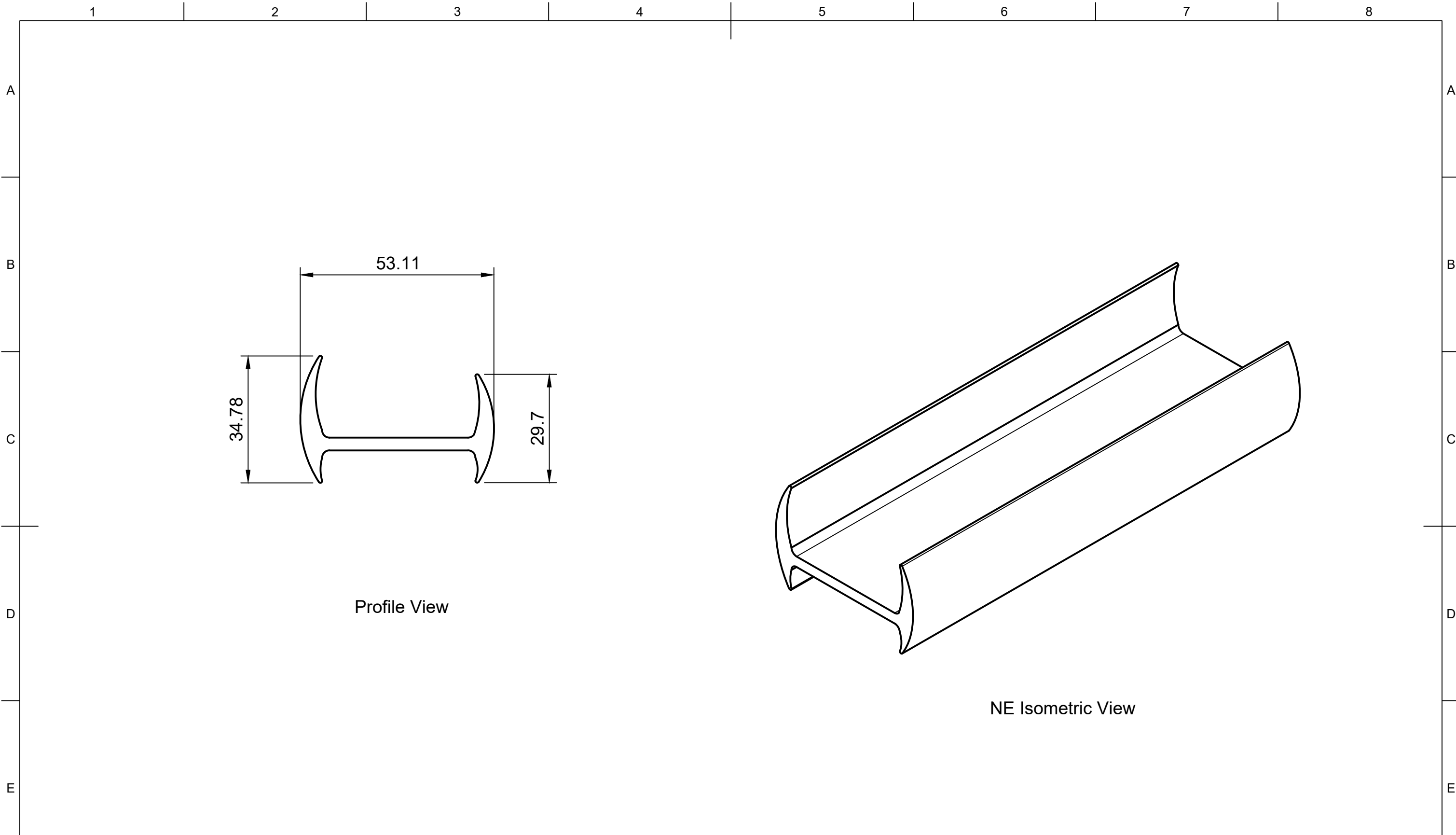


	<b>Part Number</b>				<b>Created By</b>		<b>Cross Sectional Area (mm<sup>2</sup>)</b>		<b>Nominal Dimension (mm)</b>		<b>Tolerance, ± (mm)</b>
	206924				David Stirling		459		<b>Greater Than</b>	<b>Less Than or Equal to</b>	
	<b>Description</b>				<b>Date Drawn</b>		<b>Material</b>		0.00	1.50	0.40
	Container Door Seal - H Section				15/04/2020		EPDM		1.50	2.50	0.50
	<b>Revision</b>				<b>Approved By</b>		<b>Hardness (Shore A)</b>		2.50	4.00	0.70
	A	Date of Issue		Sheet Scale	Sheet Size	Sheet	Date of Approval		4.00	6.30	0.80
		18/01/2022		1:1	A3	1/1	Projection		6.30	10.00	1.00
							3rd Agl.		10.00	16.00	1.30
							Weight (g/m)		16.00	25.00	1.60
							477		25.00	40.00	2.00
								40.00	63.00	2.50	
								63.00	100.00	3.20	
								100.00		3.20%	

1 2 3 4 5 6 7 8

F

F

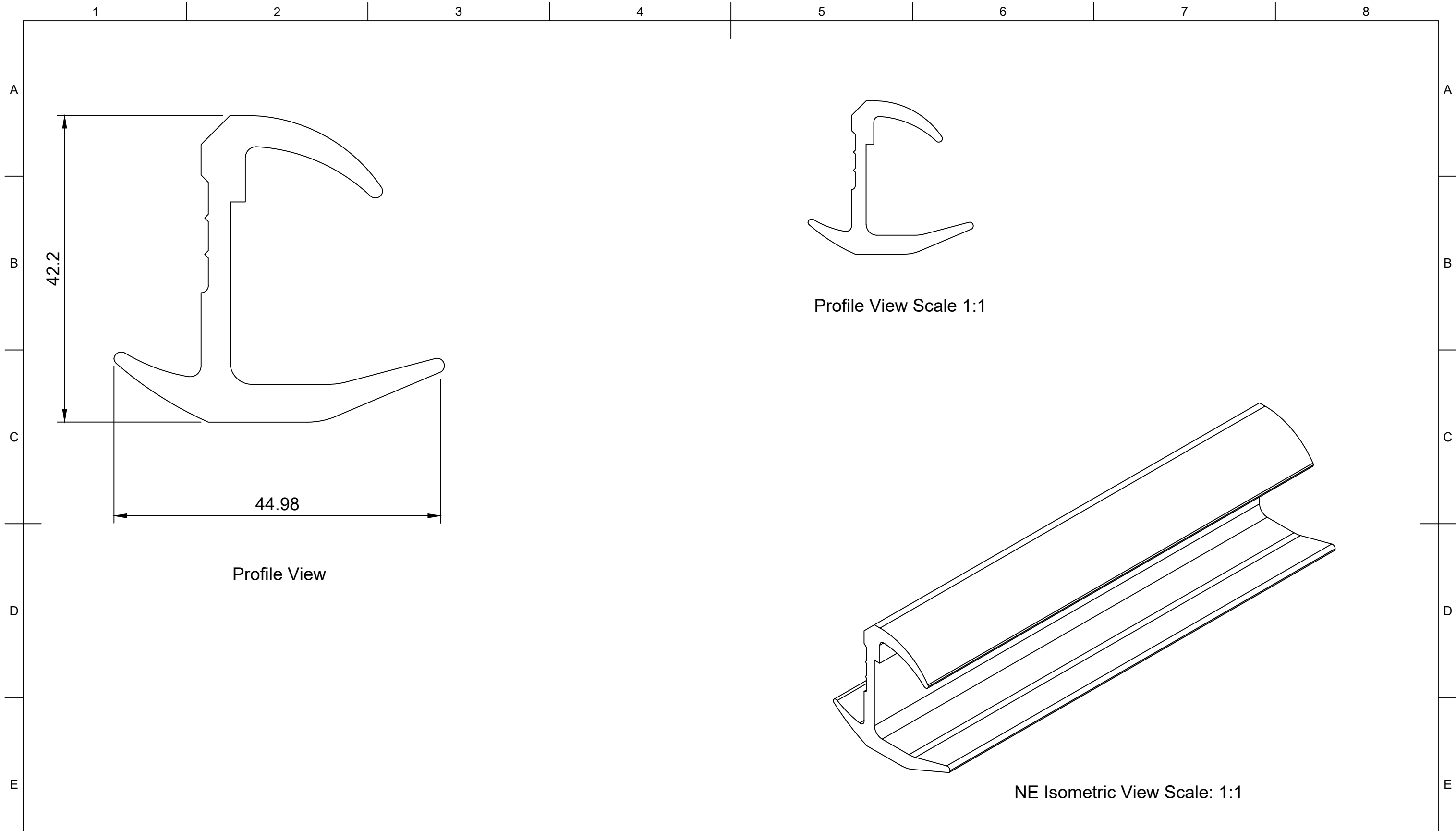


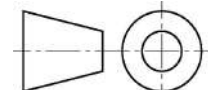
Profile View

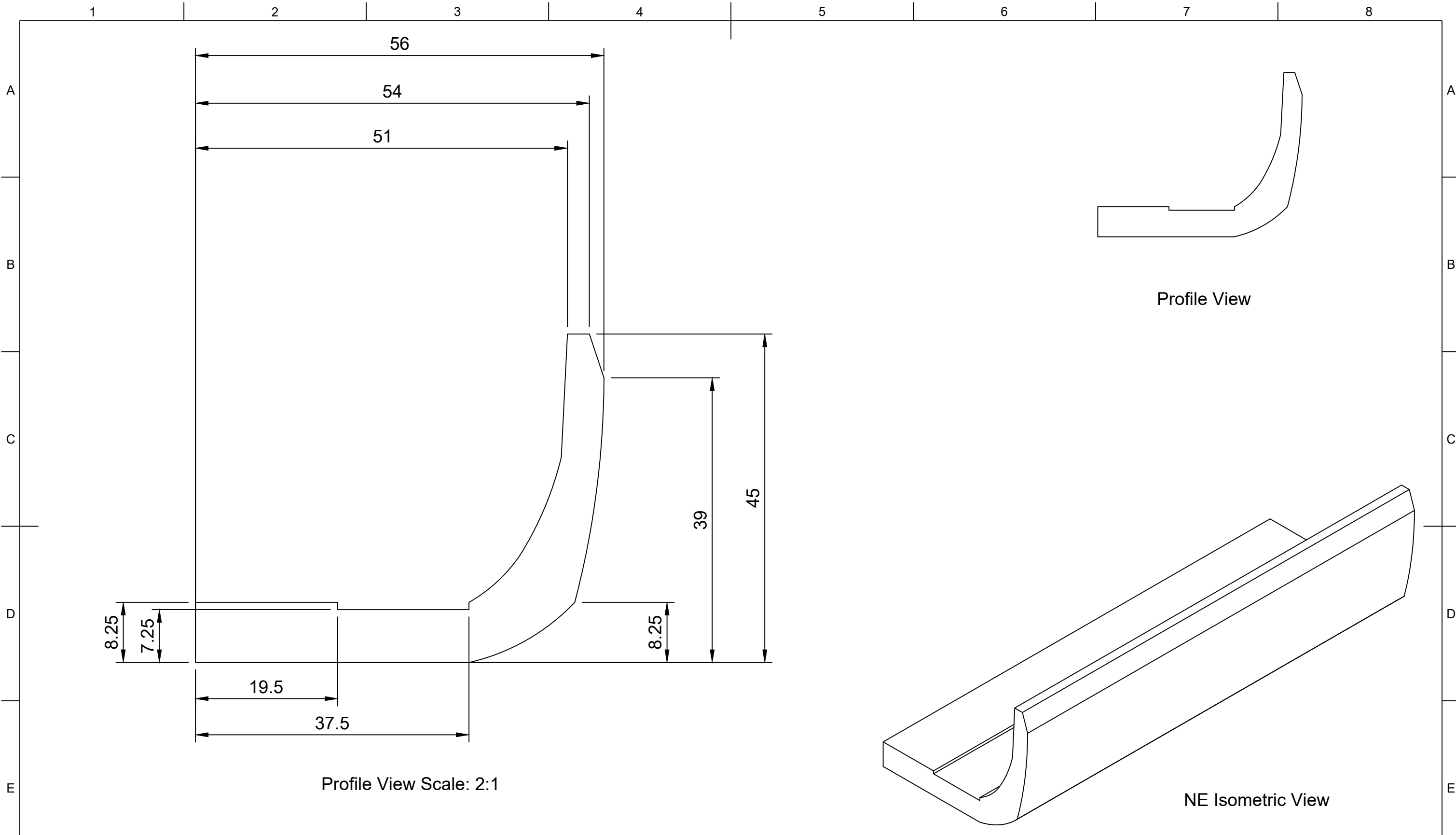
NE Isometric View


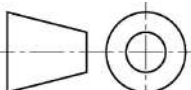


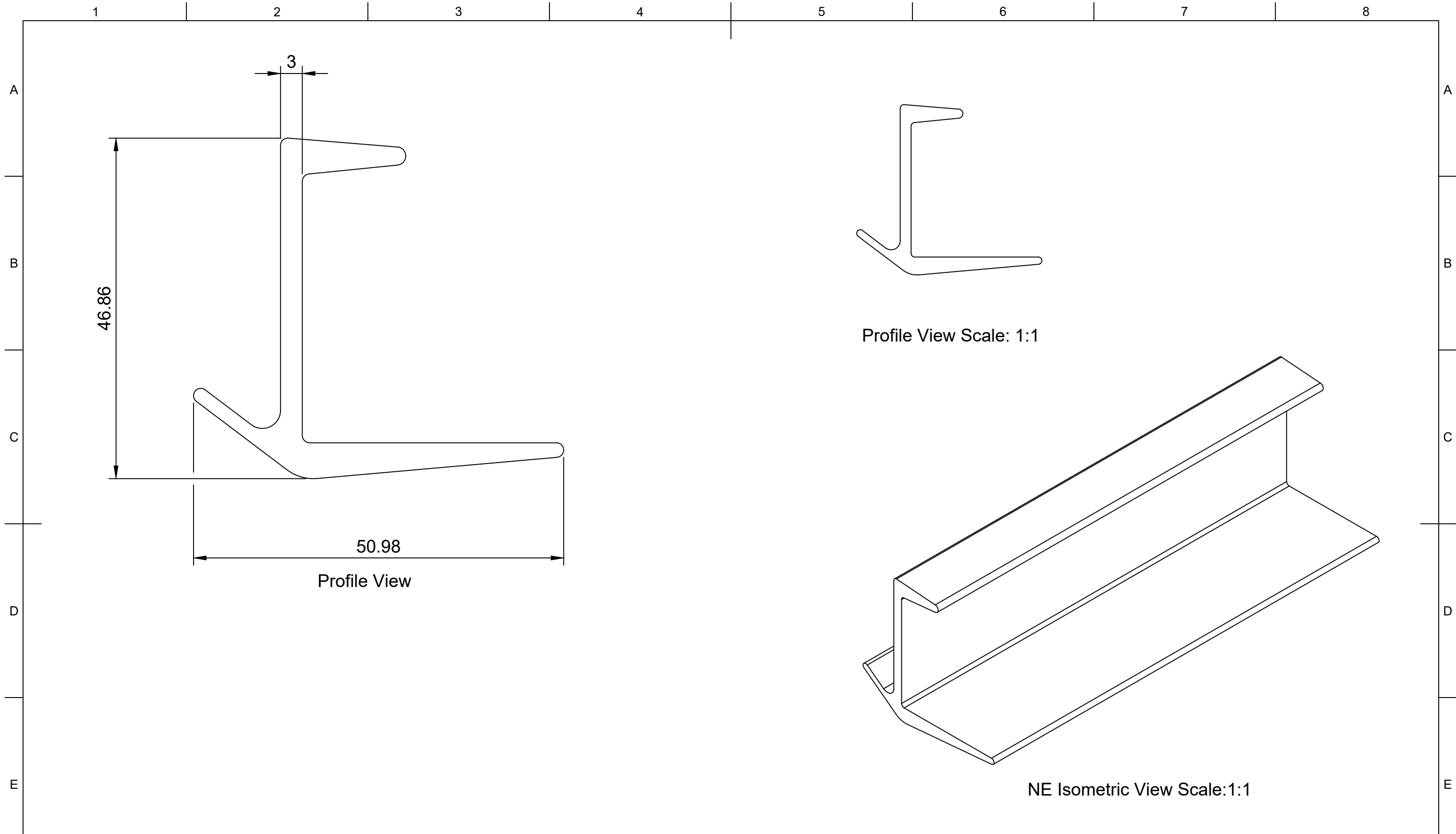
Part Number <b>207175</b>					Created By David Stirling		Cross Sectional Area (mm <sup>2</sup> ) 372		Nominal Dimension (mm)		Tolerance, ± (mm)
					Date Drawn 14/01/2022		Material Neoprene		Greater Than	Less Than or Equal to	
Description <b>Container Door Seal - H Section</b>					Approved By		Hardness (Shore A) 70		0.00	1.50	0.40
					Date of Approval		Colour Black		1.50	2.50	0.50
Revision A	Date of Issue 14/01/2022	Sheet Scale 1:1	Sheet Size A3	Sheet 1/1	Projection 3rd Agl.		Weight (g/m) 710		2.50	4.00	0.70
									4.00	6.30	0.80
									6.30	10.00	1.00
									10.00	16.00	1.30
									16.00	25.00	1.60
								25.00	40.00	2.00	
								40.00	63.00	2.50	
								63.00	100.00	3.20	
								100.00		3.20%	


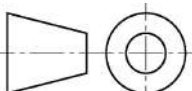


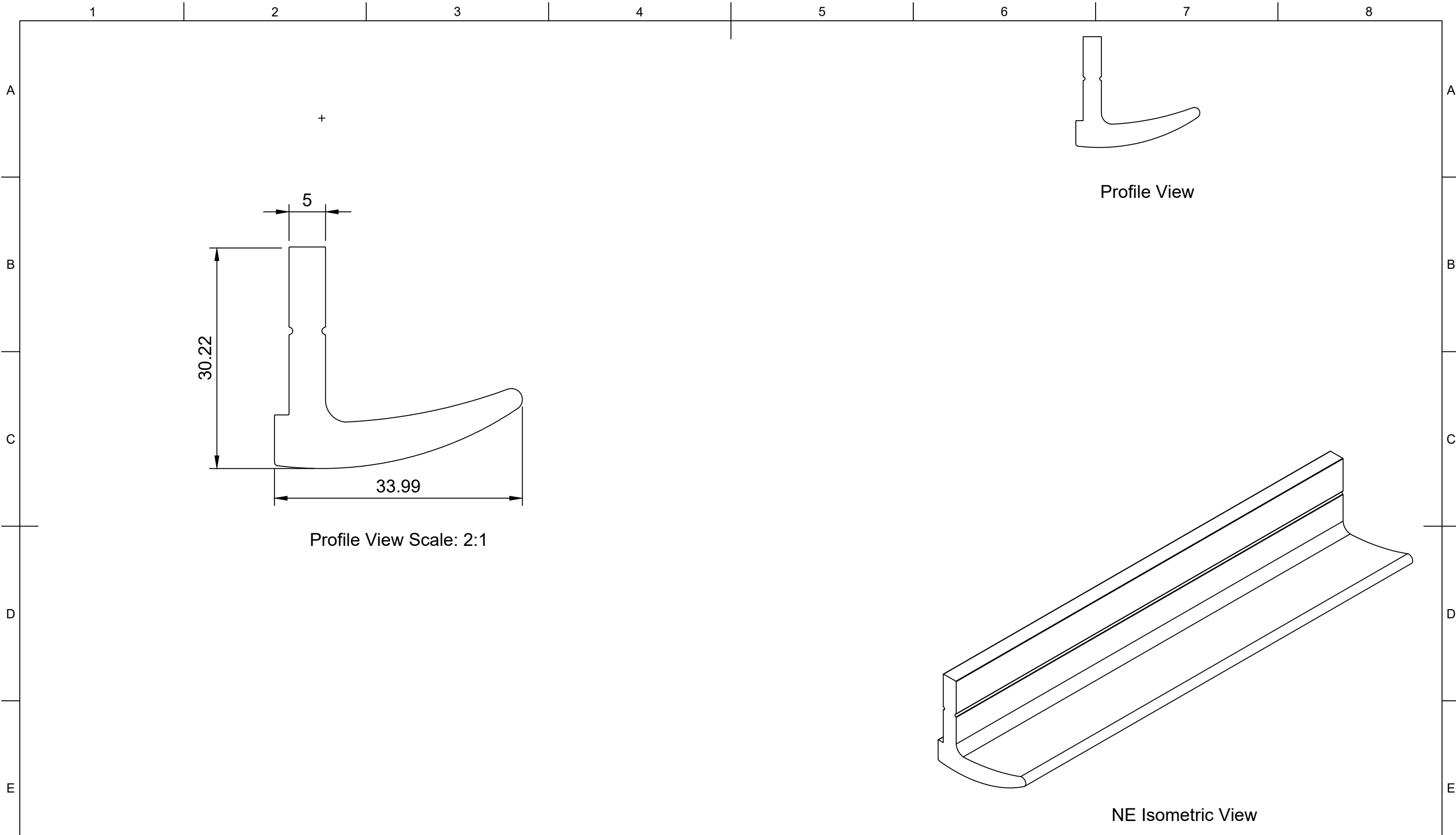
<b>Part Number</b> 207412		<b>Created By</b> David Stirling		<b>Cross Sectional Area (mm<sup>2</sup>)</b> 411		<b>Nominal Dimension (mm)</b>		<b>Tolerance, ± (mm)</b>	
		<b>Date Drawn</b> 15/04/2020		<b>Material</b> EPDM		<b>Greater Than</b>	<b>Less Than or Equal to</b>		
<b>Description</b> Container Door Seal - J Section		<b>Approved By</b>		<b>Hardness (Shore A)</b> 70		0.00	1.50	0.40	
		<b>Date of Approval</b>		<b>Colour</b> Black		1.50	2.50	0.50	
<b>Revision</b> A	<b>Date of Issue</b> 18/01/2022	<b>Sheet Scale</b> 2:1	<b>Sheet Size</b> A3	<b>Sheet</b> 1/1	<b>Projection</b> 3rd Agl. 	<b>Weight (g/m)</b>		2.50	2.00
						40.00	2.50		
						63.00	100.00	3.20	
						100.00		3.20%	



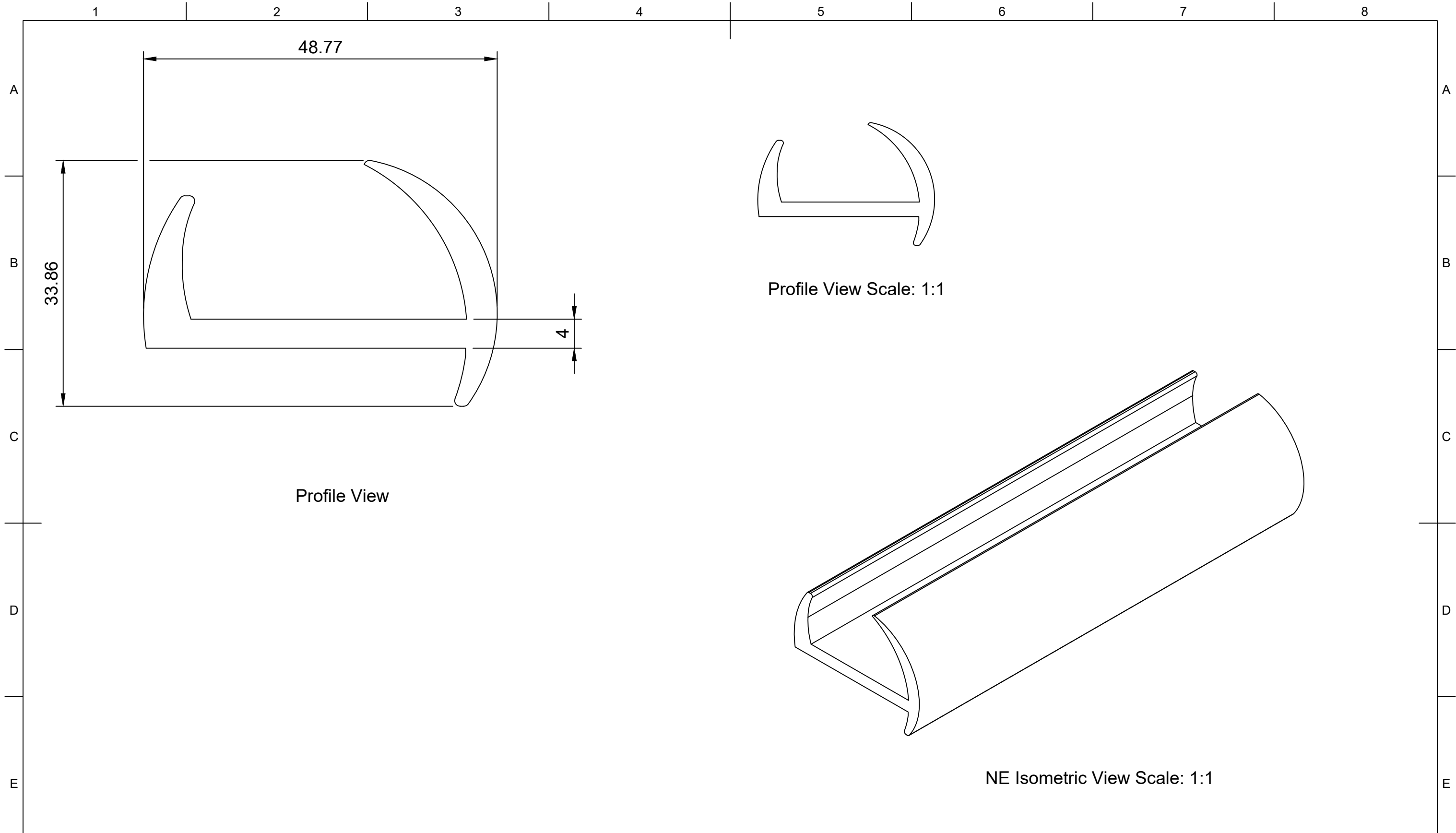
	<b>Part Number</b>				<b>Created By</b>		<b>Cross Sectional Area (mm<sup>2</sup>)</b>		<b>Nominal Dimension (mm)</b>		<b>Tolerance, ± (mm)</b>
	207911				David Stirling		613		<b>Greater Than</b>	<b>Less Than or Equal to</b>	
					Date Drawn		<b>Material</b>		0.00	1.50	0.40
					04/07/2020		Neoprene		1.50	2.50	0.50
	<b>Description</b>				<b>Approved By</b>		<b>Hardness (Shore A)</b>		2.50	4.00	0.70
	Container Door Seal						70		4.00	6.30	0.80
					<b>Date of Approval</b>		<b>Colour</b>		6.30	10.00	1.00
							Black		10.00	16.00	1.30
							<b>Weight (g/m)</b>		16.00	25.00	1.60
							932		25.00	40.00	2.00
<b>Revision</b>	<b>Date of Issue</b>	<b>Sheet Scale</b>	<b>Sheet Size</b>	<b>Sheet</b>	<b>Projection</b>			40.00	63.00	2.50	
A	27/01/2022	1:1	A3	1/1	3rd Agl.			63.00	100.00	3.20	
								100.00		3.20%	


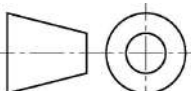


	<b>Part Number</b>				<b>Created By</b>		<b>Cross Sectional Area (mm<sup>2</sup>)</b>		<b>Nominal Dimension (mm)</b>		<b>Tolerance, ± (mm)</b>
	208005				David Stirling		348		<b>Greater Than</b>	<b>Less Than or Equal to</b>	
	<b>Description</b>				<b>Date Drawn</b>		<b>Material</b>		0.00	1.50	0.40
					15/04/2020		EPDM		1.50	2.50	0.50
	Container Door Seal - J Section				<b>Approved By</b>		<b>Hardness (Shore A)</b>		2.50	4.00	0.70
					<b>Date of Approval</b>		70		4.00	6.30	0.80
							Black		6.30	10.00	1.00
	<b>Revision</b>	<b>Date of Issue</b>	<b>Sheet Scale</b>	<b>Sheet Size</b>	<b>Sheet</b>	<b>Projection</b>	<b>Weight (g/m)</b>		10.00	16.00	1.30
	A	18/01/2022	2:1	A3	1/1	3rd Agl. 	440		16.00	25.00	1.60
									25.00	40.00	2.00
								40.00	63.00	2.50	
								63.00	100.00	3.20	
								100.00		3.20%	

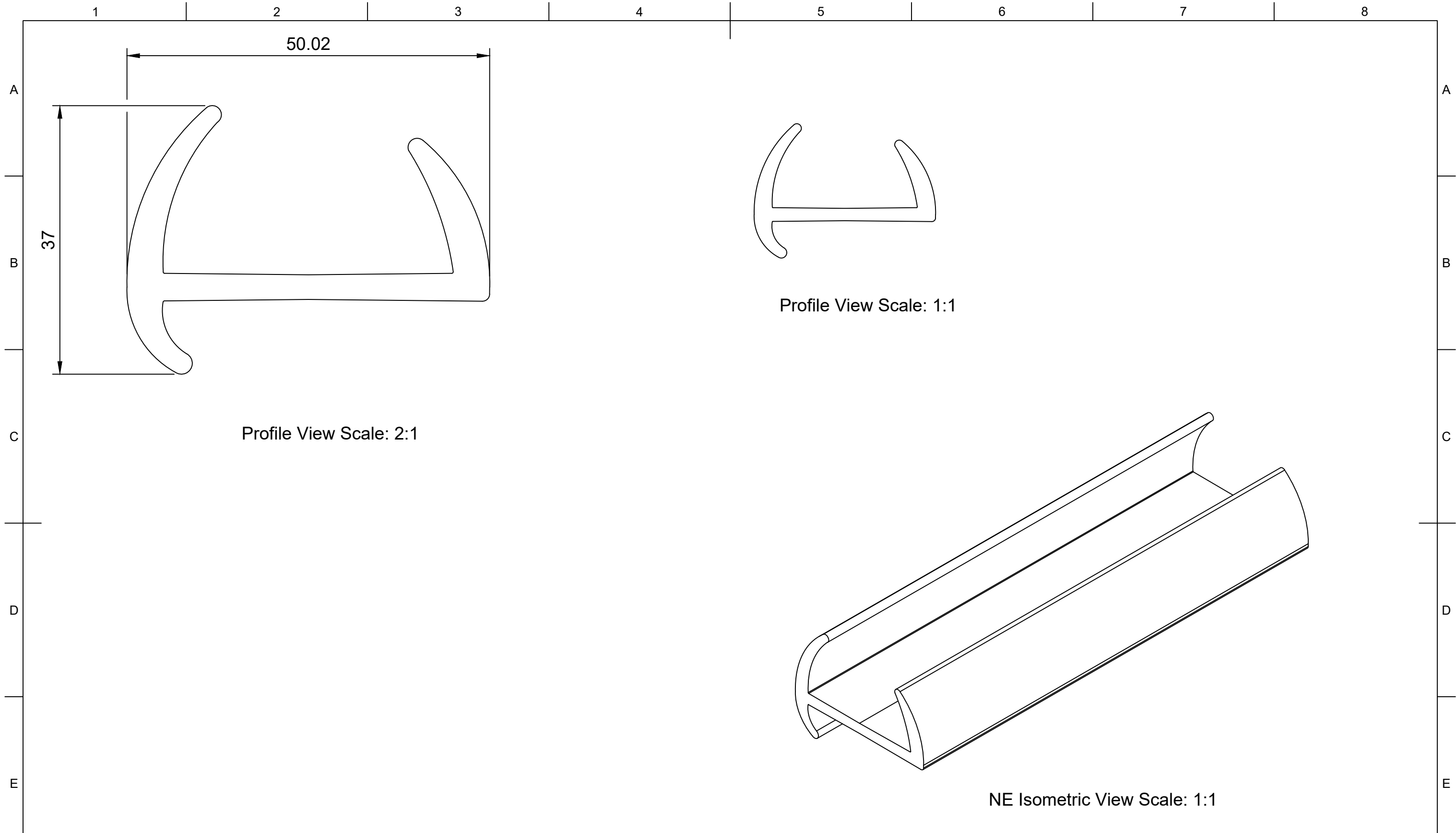


<b>Part Number</b>	208161				<b>Created By</b>	David Stirling	<b>Cross Sectional Area (mm<sup>2</sup>)</b>	308		<b>Nominal Dimension (mm)</b>		<b>Tolerance, ± (mm)</b>
					<b>Date Drawn</b>	03/07/2020	<b>Material</b>	EPDM	<b>Greater Than</b>	<b>Less Than or Equal to</b>	0.00	
<b>Description</b>	Container Door Seal				<b>Approved By</b>		<b>Hardness (Shore A)</b>	70		1.50	2.50	0.50
					<b>Date of Approval</b>		<b>Colour</b>	Black	2.50	4.00	0.70	4.00
<b>Revision</b>	<b>Date of Issue</b>	<b>Sheet Scale</b>	<b>Sheet Size</b>	<b>Sheet</b>	<b>Projection</b>	3rd Agl.	<b>Weight (g/m)</b>	388		6.30	10.00	1.00
A	27/01/2022	1:1	A3	1/1			10.00	16.00	1.30	16.00	25.00	1.60
										25.00	40.00	2.00
										40.00	63.00	2.50
										63.00	100.00	3.20
										100.00		3.20%



	<b>Part Number</b>				<b>Created By</b>		<b>Cross Sectional Area (mm<sup>2</sup>)</b>		<b>Nominal Dimension (mm)</b>		<b>Tolerance, ± (mm)</b>	
	208254				David Stirling		389		<b>Greater Than</b>	<b>Less Than or Equal to</b>		
	<b>Description</b>				<b>Date Drawn</b>		<b>Material</b>		0.00		0.40	
	Bespoke Profile				15/04/2020		EPDM		1.50		0.50	
	<b>Revision</b>				<b>Approved By</b>		<b>Hardness (Shore A)</b>		2.50		0.70	
	A	Date of Issue		Sheet Scale		Date of Approval		4.00		6.30		0.80
		14/01/2022		2:1				6.30		10.00		1.00
				Sheet Size		<b>Projection</b>		10.00		16.00		1.30
				A3		3rd Agl. 		Colour		25.00		1.60
				Sheet				Black		40.00		2.00
			1/1				Weight (g/m)		63.00		2.50	
							522		100.00		3.20	
											3.20%	





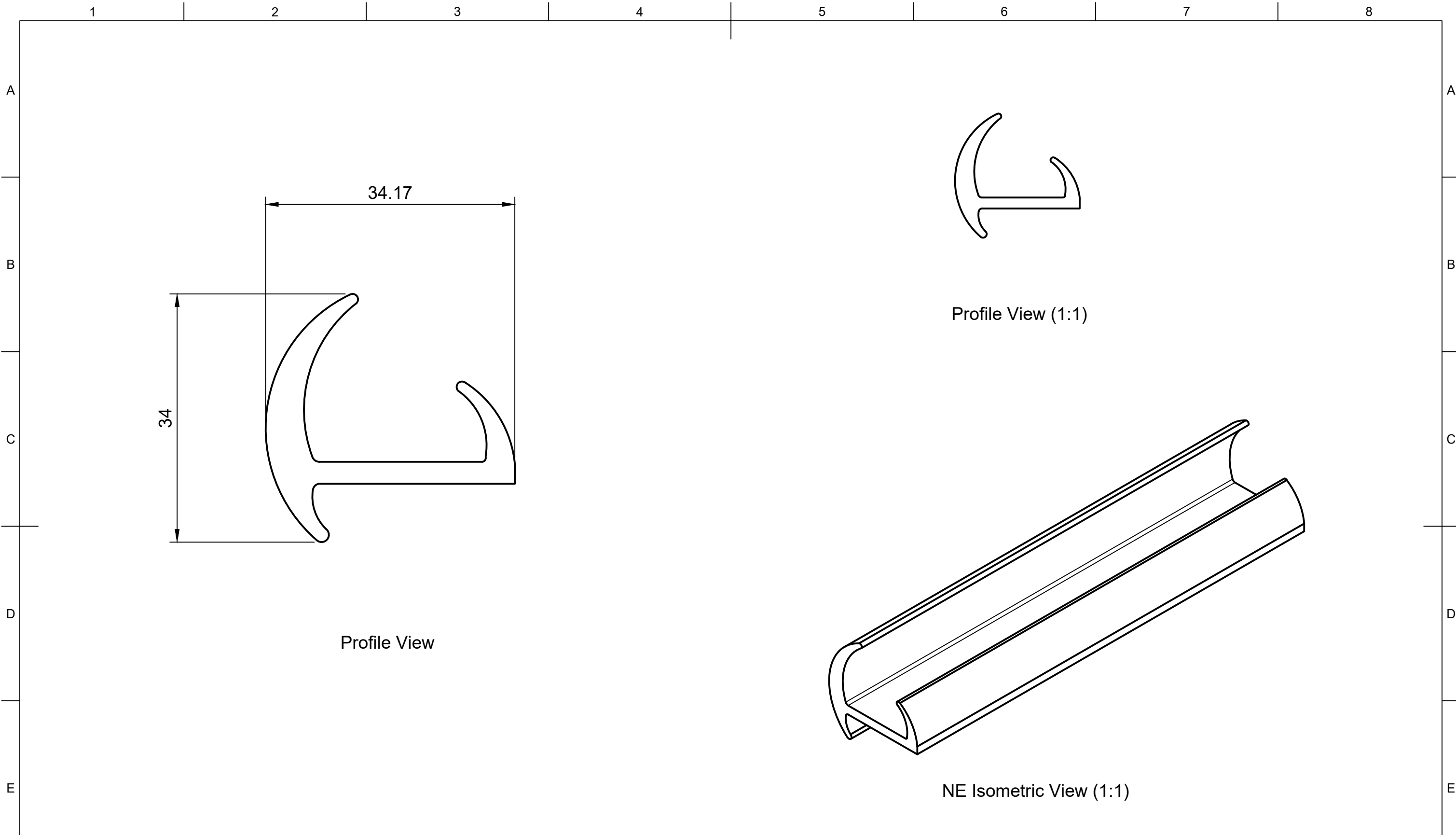
Profile View Scale: 2:1

Profile View Scale: 1:1

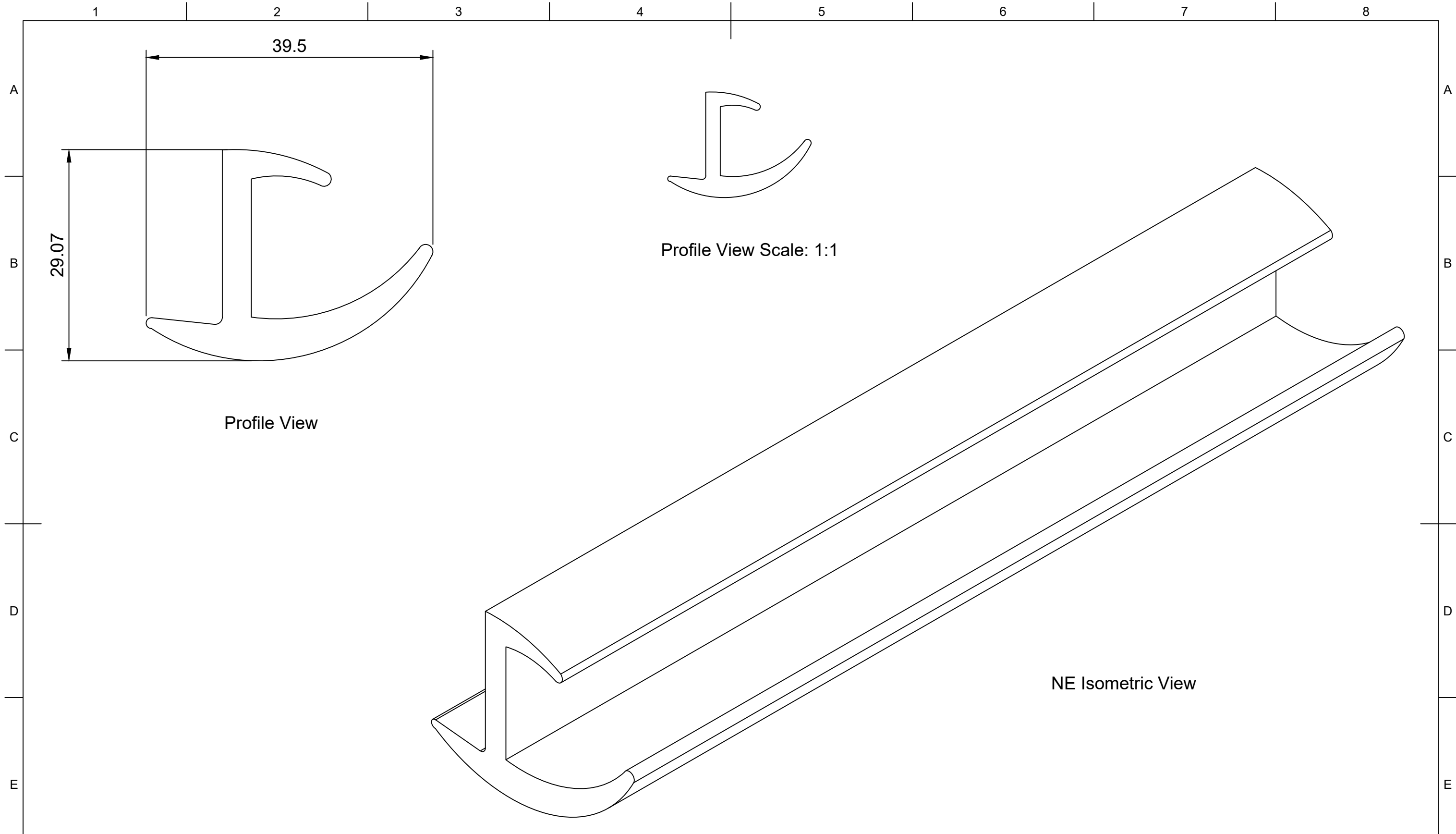
NE Isometric View Scale: 1:1


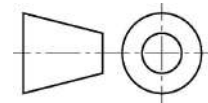


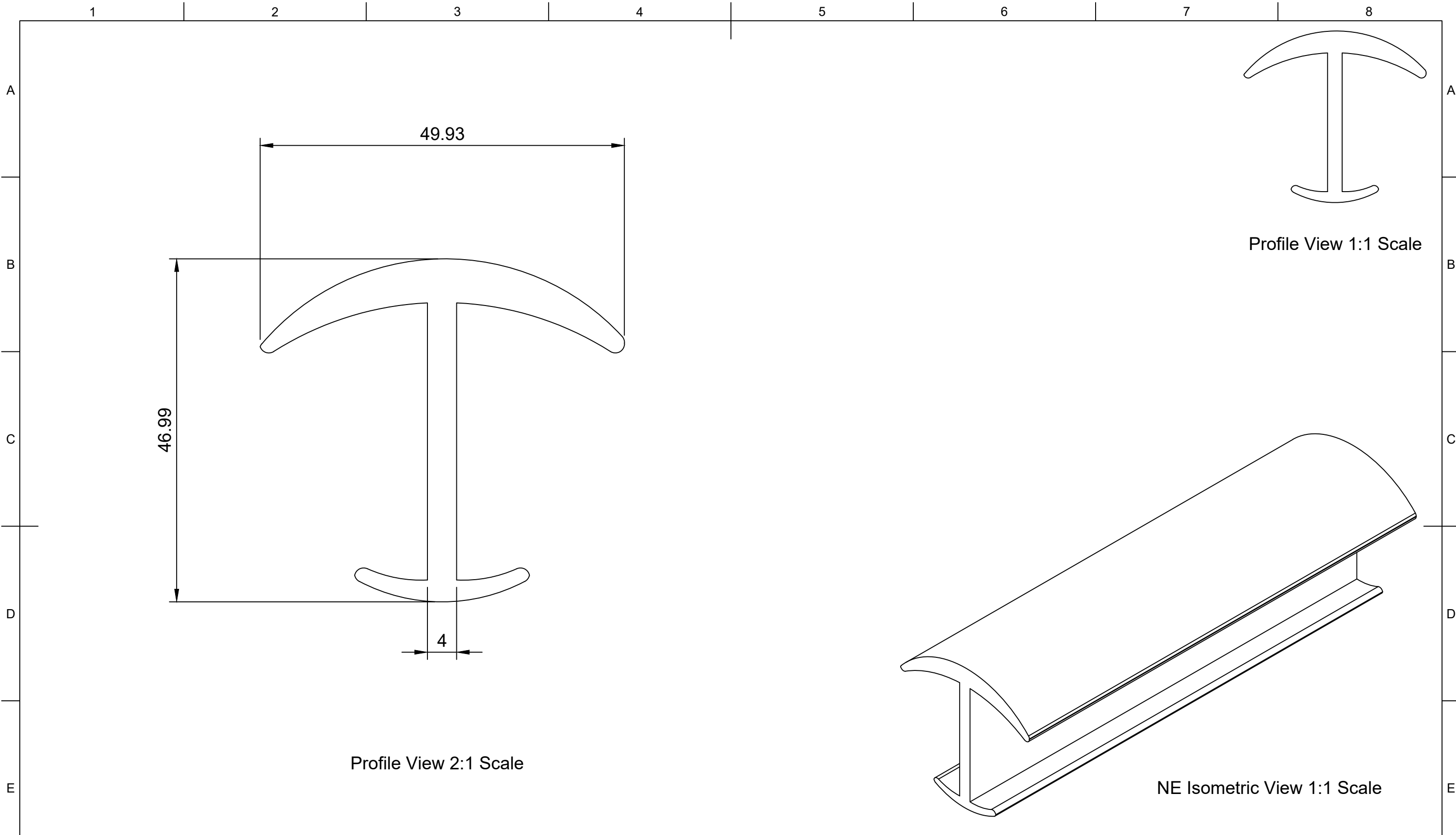
	<b>Part Number</b>				<b>Created By</b>		<b>Cross Sectional Area (mm<sup>2</sup>)</b>		<b>Nominal Dimension (mm)</b>		<b>Tolerance, ± (mm)</b>	
	208394				David Stirling		404		<b>Greater Than</b>	<b>Less Than or Equal to</b>		
	<b>Description</b>				<b>Date Drawn</b>		<b>Material</b>		0.00		1.50	0.40
									10.00		16.00	1.30
	Container Door Seal - J Section				<b>Approved By</b>		<b>Hardness (Shore A)</b>		1.50		2.50	0.50
									4.00		6.30	0.80
	<b>Revision</b>				<b>Date of Issue</b>		<b>Date of Approval</b>		6.30		10.00	1.00
									16.00		25.00	1.60
	A				18/01/2022		<b>Projection</b>		25.00		40.00	2.00
									40.00		63.00	2.50
2:1				A3		3rd Agl.		63.00		100.00	3.20	
								100.00		---	3.20%	
Sheet Scale				Sheet Size		Sheet		509				
A3				1/1								
2:1				A3		1/1						
2:1				A3		1/1						


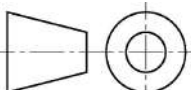


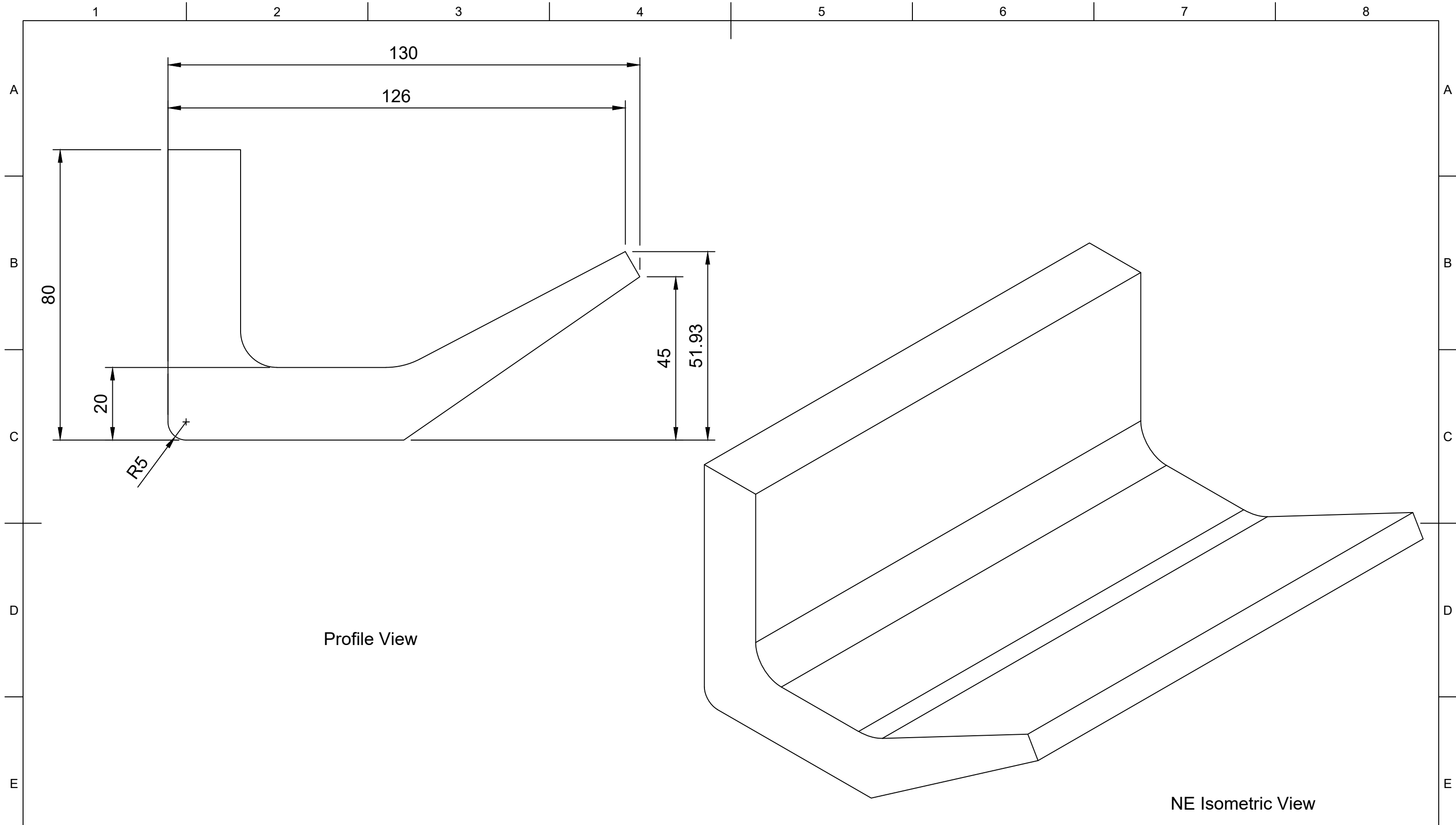
Part Number <b>208958</b>					Created By David Stirling		Cross Sectional Area (mm <sup>2</sup> ) 261		Nominal Dimension (mm)		Tolerance, ± (mm)
					Date Drawn 14/01/2022		Material Neoprene		Greater Than	Less Than or Equal to	
Description <b>Container Door Seal - J Section</b>					Approved By		Hardness (Shore A) 70		0.00	1.50	0.40
					Date of Approval		Colour Black		1.50	2.50	0.50
Revision A	Date of Issue 14/01/2022	Sheet Scale 2:1	Sheet Size A3	Sheet 1/1	Projection 3rd Agl.	Weight (g/m) 610		2.50	4.00	0.70	
								4.00	6.30	0.80	
								6.30	10.00	1.00	
								10.00	16.00	1.30	
								16.00	25.00	1.60	
							25.00	40.00	2.00		
							40.00	63.00	2.50		
							63.00	100.00	3.20		
							100.00		3.20%		



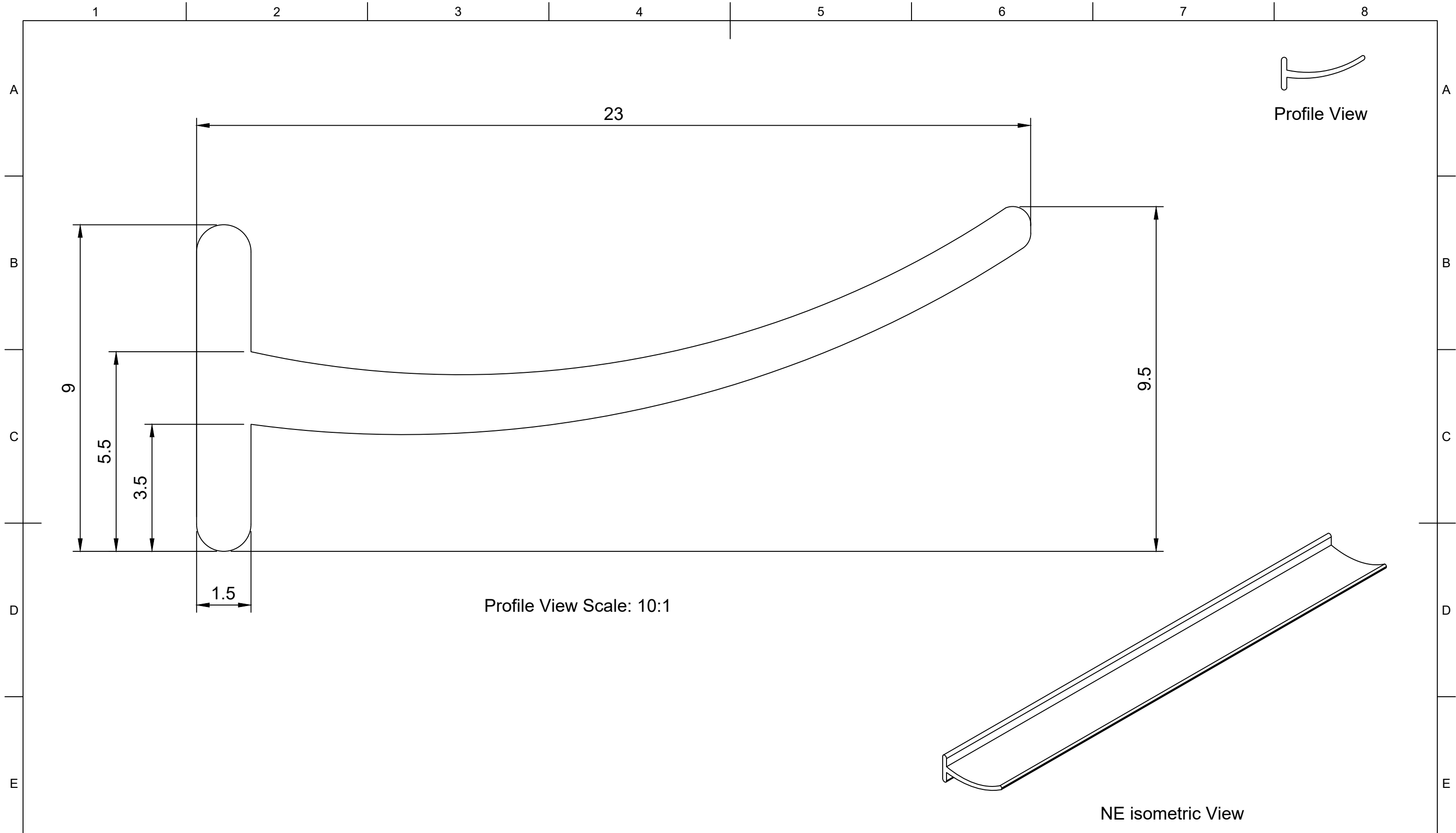
	Part Number				Created By		Cross Sectional Area (mm <sup>2</sup> )		Nominal Dimension (mm)		Tolerance, ± (mm)
	209173				David Stirling		299		Greater Than	Less Than or Equal to	
	Description				Date Drawn		Material		0.00		0.40
					15/04/2020		EPDM		1.50		0.50
	Container Door Seal - J Section				Approved By		Hardness (Shore A)		2.50		0.70
					Date of Approval		70		4.00		0.80
	Revision				Date of Approval		Colour		6.30		1.00
					Black		10.00		1.30		
	A		14/01/2022		Sheet Scale		Weight (g/m)		16.00		1.60
	2:1		A3		Sheet		385		25.00		2.00
1/1		Projection		3rd Agl.				40.00		2.50	
								63.00		3.20	
								100.00		3.20%	



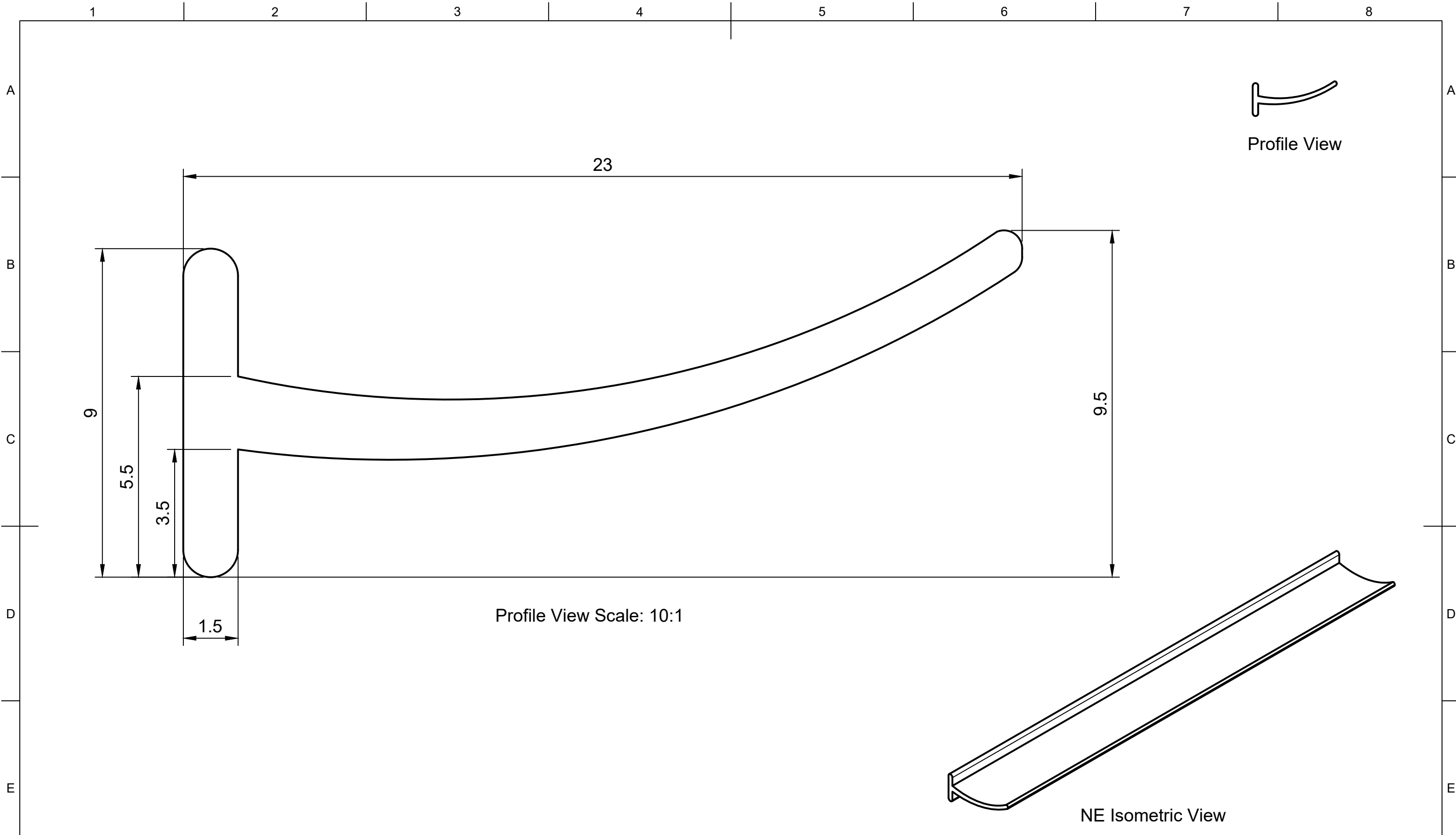
	<b>Part Number</b>				<b>Created By</b>		<b>Cross Sectional Area (mm<sup>2</sup>)</b>		<b>Nominal Dimension (mm)</b>		<b>Tolerance, ± (mm)</b>
	209423				David Stirling		461		<b>Greater Than</b>	<b>Less Than or Equal to</b>	
	<b>Description</b>				<b>Date Drawn</b>		<b>Material</b>		0.00	1.50	0.40
	Bespoke Section				05/10/2020		EPDM		1.50	2.50	0.50
	<b>Revision</b>				<b>Approved By</b>		<b>Hardness (Shore A)</b>		2.50	4.00	0.70
	A	Date of Issue		Sheet Scale	Sheet Size	Sheet	Date of Approval		4.00	6.30	0.80
		14/01/2022		2:1	A3	1/1	Projection		6.30	10.00	1.00
							3rd Agl. 		10.00	16.00	1.30
							Weight (g/m)		16.00	25.00	1.60
							581		25.00	40.00	2.00
								40.00	63.00	2.50	
								63.00	100.00	3.20	
								100.00		3.20%	


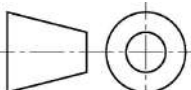


<b>Part Number</b> 209585		<b>Created By</b> David Stirling		<b>Cross Sectional Area (mm<sup>2</sup>)</b> 3443		<b>Nominal Dimension (mm)</b>		<b>Tolerance, ± (mm)</b>
		<b>Date Drawn</b> 04/07/2020		<b>Material</b> Nitrile		<b>Greater Than</b>	<b>Less Than or Equal to</b>	
<b>Description</b> Container Door Seal				<b>Approved By</b>		<b>Hardness (Shore A)</b> 70		0.40
				<b>Date of Approval</b>		<b>Colour</b> Black		1.50
<b>Revision</b> A	<b>Date of Issue</b> 27/01/2022	<b>Sheet Scale</b> 1:1	<b>Sheet Size</b> A3	<b>Sheet</b> 1/1	<b>Projection</b> 3rd Agl.	<b>Weight (kg/m)</b>		2.50
						4.166		4.00
						10.00	16.00	1.30
						16.00	25.00	1.60
						25.00	40.00	2.00
						40.00	63.00	2.50
						63.00	100.00	3.20
						100.00		3.20%



	<b>Part Number</b>				<b>Created By</b>		<b>Cross Sectional Area (mm<sup>2</sup>)</b>		<b>Nominal Dimension (mm)</b>		<b>Tolerance, ± (mm)</b>
	202785				Isaac Erskine		45		<b>Greater Than</b>	<b>Less Than or Equal to</b>	
	<b>Description</b>				<b>Date Drawn</b>		<b>Material</b>				
	Container Door Seal				14/08/2020		EPDM				
					<b>Approved By</b>		<b>Hardness (Shore A)</b>				
					Isaac Erskine		70				
					<b>Date of Approval</b>		<b>Colour</b>				
					17/02/2022		Black				
					<b>Projection</b>		<b>Weight (g/m)</b>				
					3rd Agl.		57				
<b>Revision</b>	<b>Date of Issue</b>	<b>Sheet Scale</b>	<b>Sheet Size</b>	<b>Sheet</b>							
A	17/02/2022	1:1	A3	1/1							



	<b>Part Number</b>				<b>Created By</b>		<b>Cross Sectional Area (mm<sup>2</sup>)</b>		<b>Nominal Dimension (mm)</b>		<b>Tolerance, ± (mm)</b>	
	200975				Isaac Erskine		45		<b>Greater Than</b>	<b>Less Than or Equal to</b>		
	<b>Description</b>				<b>Date Drawn</b>		<b>Material</b>		0.00		0.40	
	Container Door Seal				17/02/2022		Neoprene		1.50		0.50	
	<b>Revision</b>				<b>Approved By</b>		<b>Hardness (Shore A)</b>		2.50		0.70	
	A	<b>Date of Issue</b>		<b>Sheet Scale</b>		Isaac Erskine		70		4.00		0.80
		17/02/2022		1:1		17/02/2022		Colour		6.30		1.00
				<b>Sheet Size</b>		<b>Date of Approval</b>		Black		10.00		1.30
				A3		17/02/2022		<b>Weight (g/m)</b>		16.00		1.60
				1/1		3rd Agl. 		68		25.00		2.00
									40.00		2.50	
									63.00		3.20	
									100.00		3.20%	