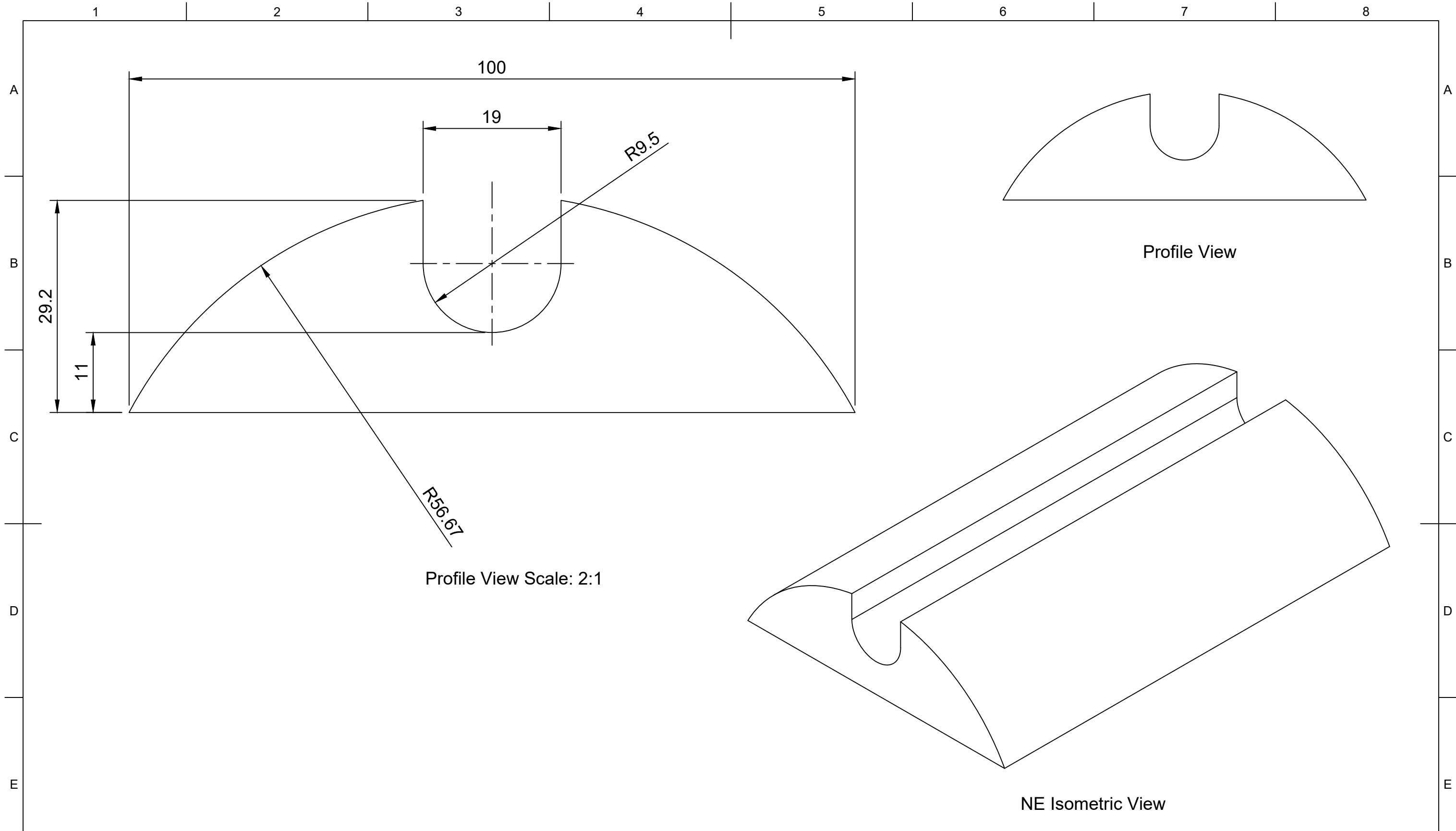
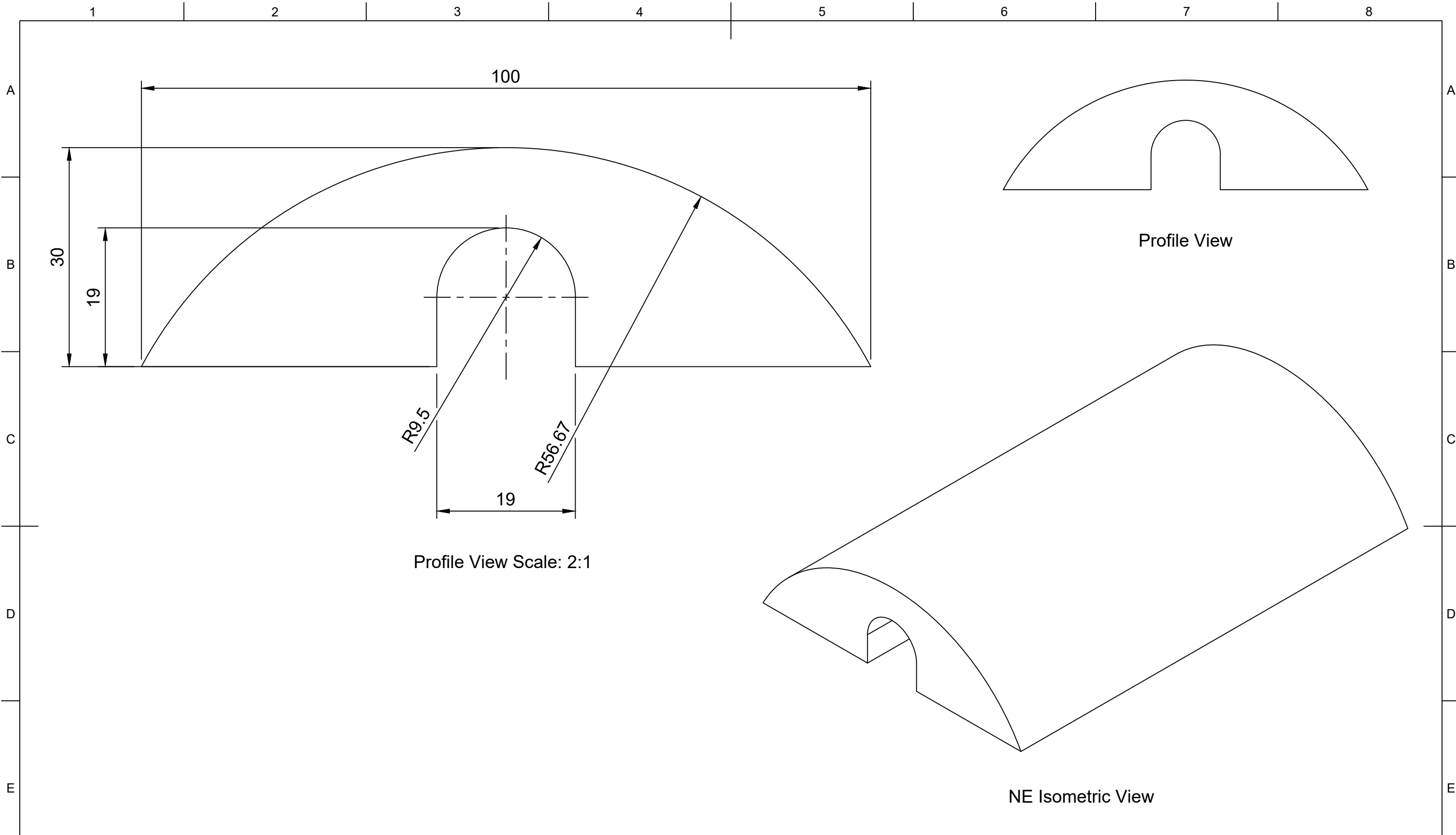




Cable Protectors



| | | | | | | | | | | | |
|--------------|----------------------|--|--|--|--------------------|--|--|--------|-------------------------------|------------------------------|--------------------------|
| | Part Number | | | | Created By | | Cross Sectional Area (mm²) | | Nominal Dimension (mm) | | Tolerance, ± (mm) |
| | 200472 | | | | David Stirling | | 1820 | | Greater Than | Less Than or Equal to | |
| | Description | | | | Date Drawn | | Material | | 0.00 | | 0.40 |
| | Cable Protector | | | | 29/04/2020 | | EPDM | | 1.50 | | 0.50 |
| | Revision | | | | Approved By | | Hardness (Shore A) | | 2.50 | | 0.70 |
| | A | | | | Date of Approval | | 70 | | 4.00 | | 0.80 |
| | Date of Issue | | | | Projection | | Colour | | 6.30 | | 1.00 |
| | 19/01/2022 | | | | 3rd Agl. | | Black | | 10.00 | | 1.30 |
| | Sheet Scale | | | | Sheet Size | | Weight (kg/m) | | 16.00 | | 1.60 |
| | 1:1 | | | | A3 | | 2.290 | | 25.00 | | 2.00 |
| Sheet | | | | | | | | 40.00 | | 2.50 | |
| 1/1 | | | | | | | | 63.00 | | 3.20 | |
| | | | | | | | | 100.00 | | 3.20% | |

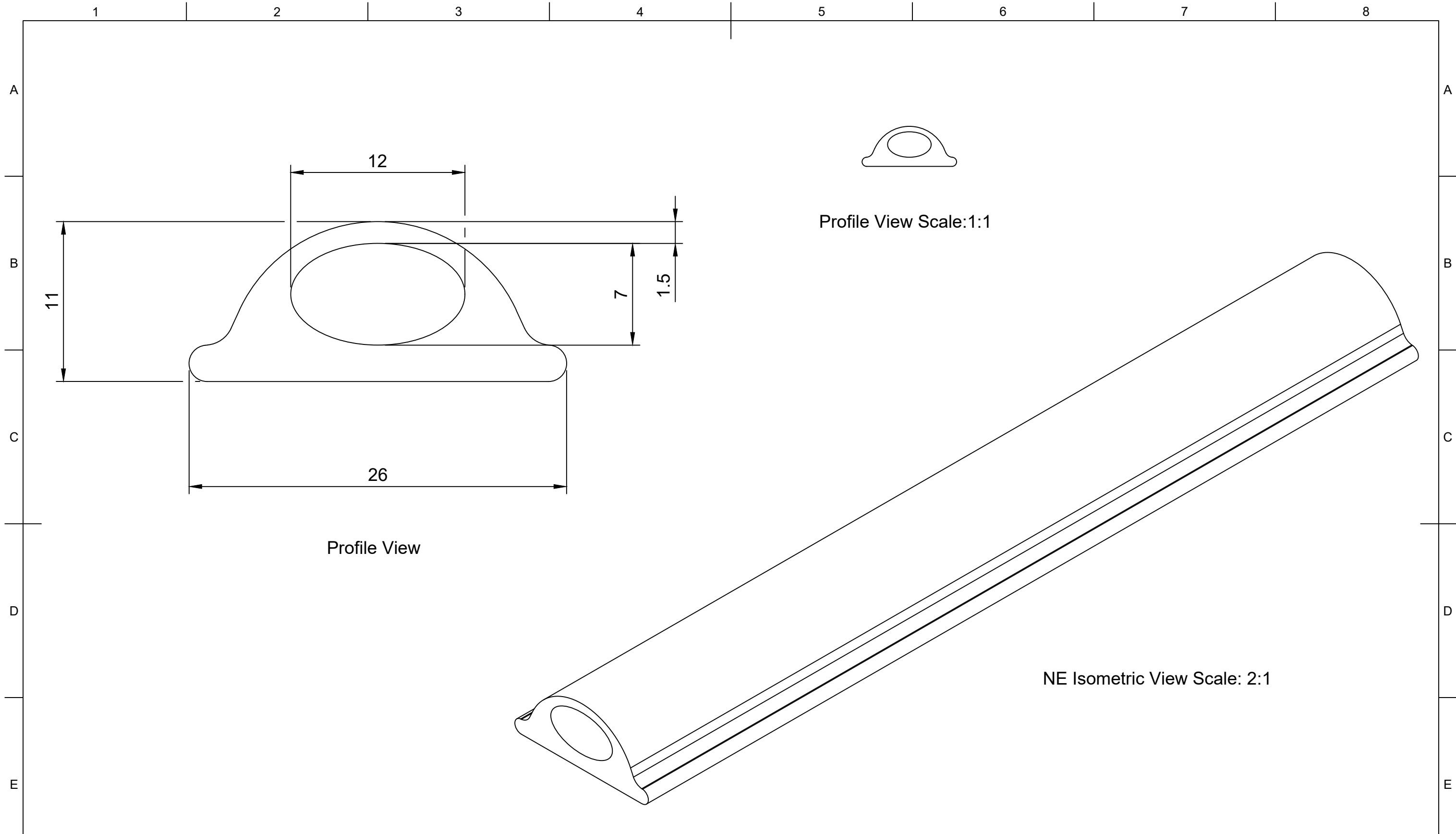


Profile View Scale: 2:1

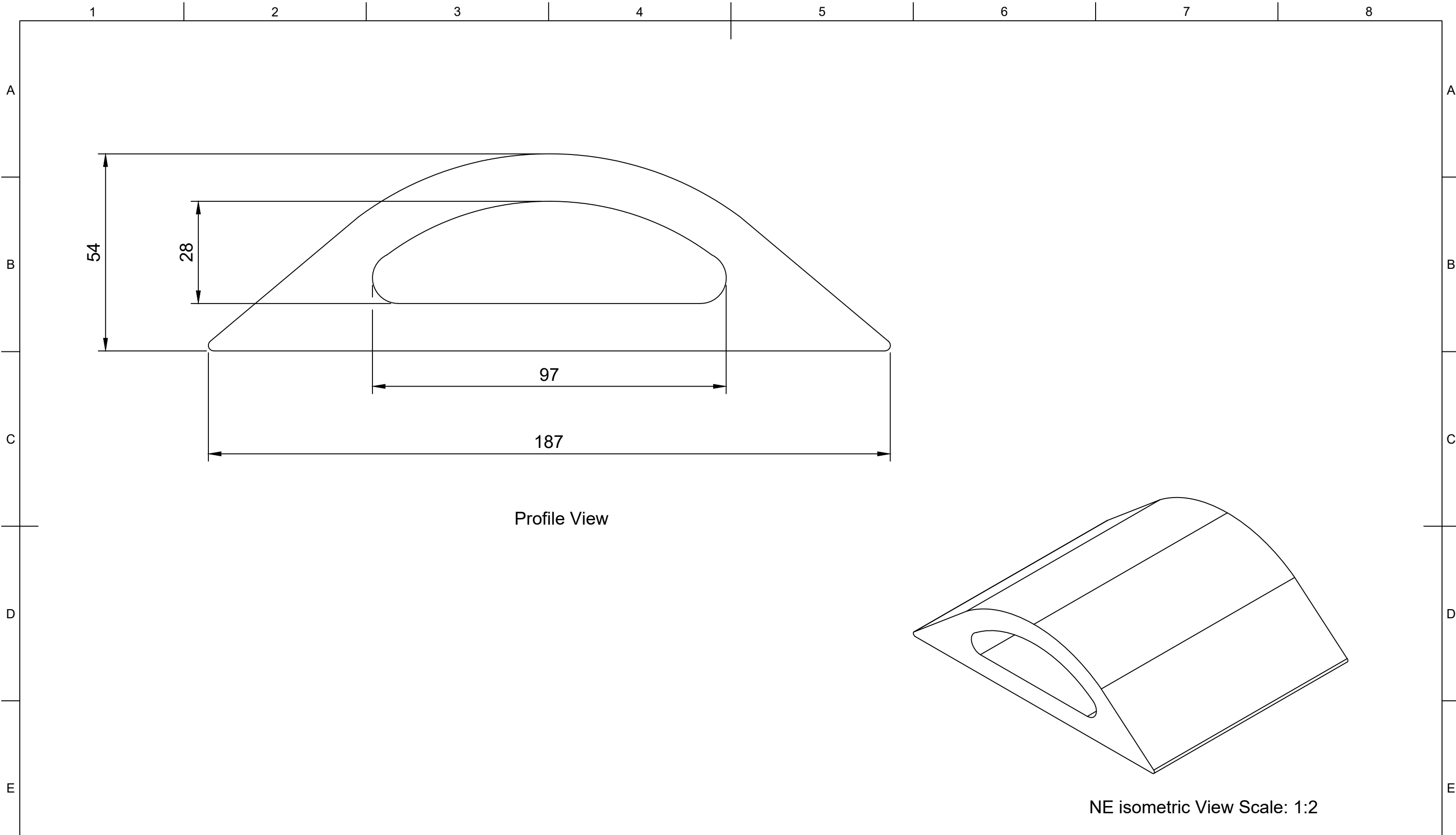
NE Isometric View



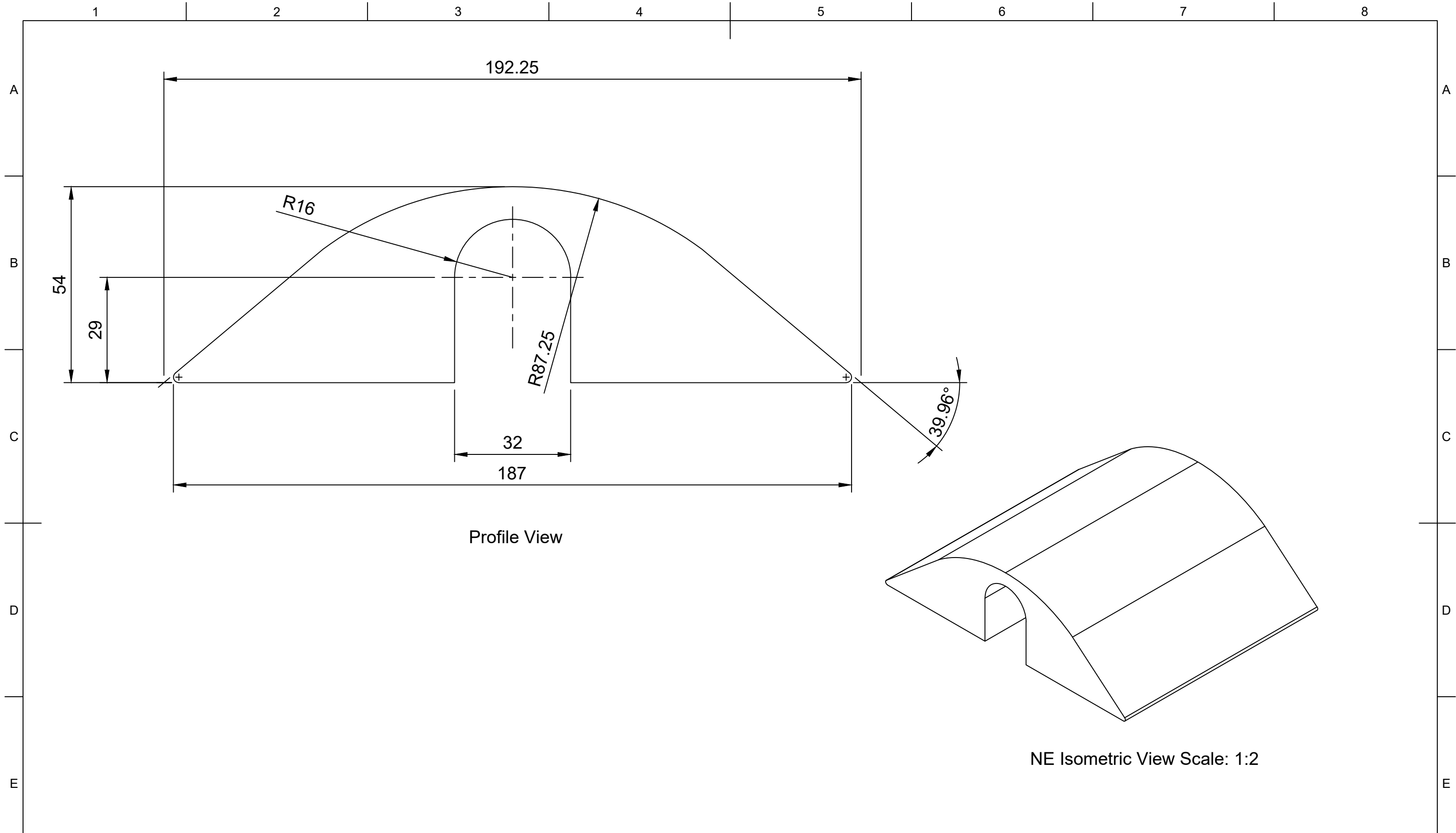
| | | | | | | | | | | | |
|-----------------|----------------------|--------------------|-------------------|--------------|-------------------------|----------------------|--|-------|-------------------------------|------------------------------|--------------------------|
| | Part Number | | | | Created By | | Cross Sectional Area (mm²) | | Nominal Dimension (mm) | | Tolerance, ± (mm) |
| | 202179 | | | | David Stirling | | 1815 | | Greater Than | Less Than or Equal to | |
| | | | | | Date Drawn | | Material | | 0.00 | 1.50 | 0.40 |
| | | | | | 29/04/2020 | | EPDM | | 1.50 | 2.50 | 0.50 |
| | Description | | | | Approved By | | Hardness (Shore A) | | 2.50 | 4.00 | 0.70 |
| | Cable Protector | | | | | | 70 | | 4.00 | 6.30 | 0.80 |
| | | | | | Date of Approval | | Colour | | 6.30 | 10.00 | 1.00 |
| | | | | | | | Black | | 10.00 | 16.00 | 1.30 |
| | | | | | | | | | 16.00 | 25.00 | 1.60 |
| | | | | | | | | | 25.00 | 40.00 | 2.00 |
| Revision | Date of Issue | Sheet Scale | Sheet Size | Sheet | Projection | Weight (kg/m) | | 40.00 | 63.00 | 2.50 | |
| A | 19/01/2022 | 1:1 | A3 | 1/1 | 3rd Agl. | 2.290 | | 63.00 | 100.00 | 3.20 | |
| | | | | | | | | | 100.00 | | 3.20% |


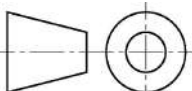


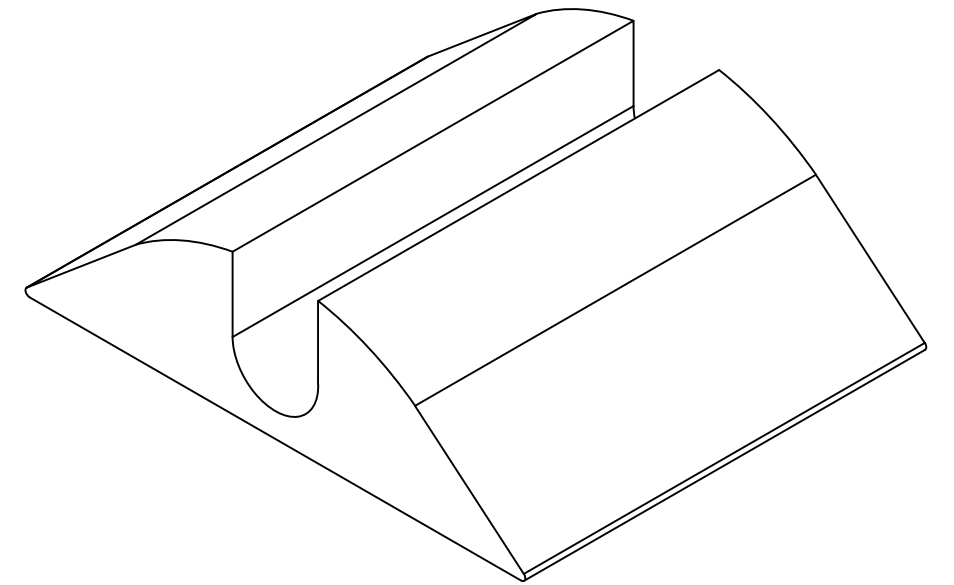
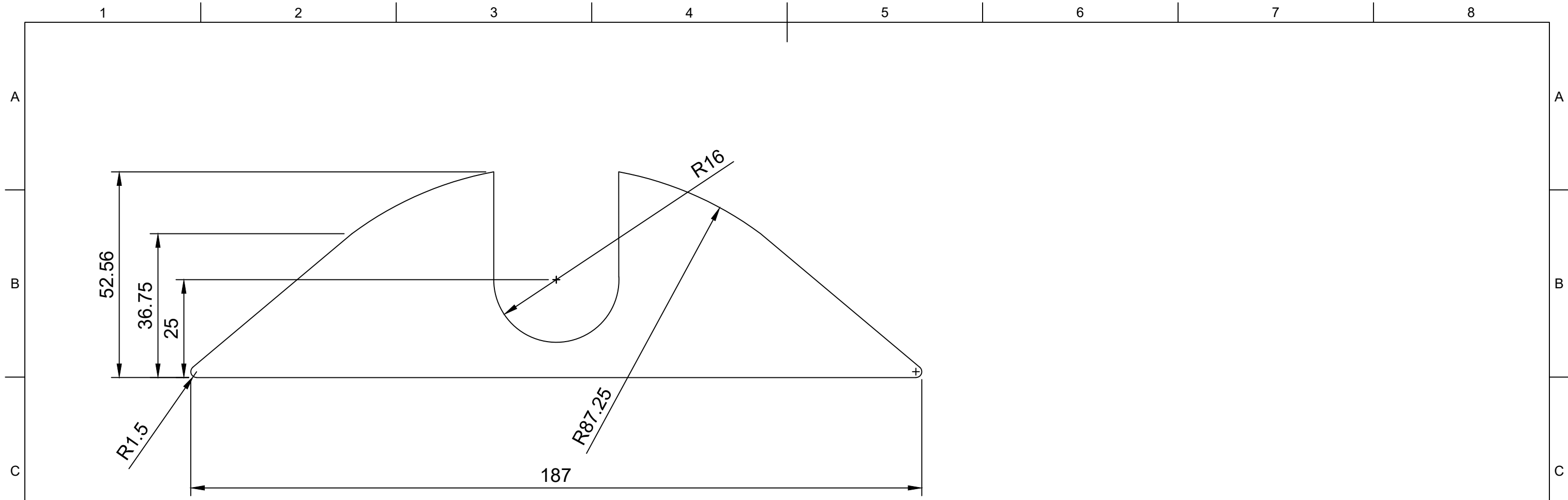
| | | | | | | | | | | | |
|---------------------------------------|-----------------------------|--------------------|------------------|--------------|------------------------------|---------------------|--|--------|------------------------|-----------------------|-------------------|
| Part Number 203803 | | | | | Created By David Stirling | | Cross Sectional Area (mm ²) 130 | | Nominal Dimension (mm) | | Tolerance, ± (mm) |
| | | | | | Date Drawn 04/04/2020 | | Material EPDM | | Greater Than | Less Than or Equal to | |
| Description Bespoke Profile | | | | | Approved By | | Hardness (Shore A) 70 | | 0.00 | 1.50 | 0.40 |
| | | | | | Date of Approval | | Colour Black | | 1.50 | 2.50 | 0.50 |
| Revision A | Date of Issue 13/01/2022 | Sheet Scale 4:1 | Sheet Size A3 | Sheet 1/1 | Projection 3rd Agl. | Weight (g/m) 160 | | 2.50 | 4.00 | 0.70 | |
| | | | | | | | | 4.00 | 6.30 | 0.80 | |
| | | | | | | | | 6.30 | 10.00 | 1.00 | |
| | | | | | | | | 10.00 | 16.00 | 1.30 | |
| | | | | | | | | 16.00 | 25.00 | 1.60 | |
| | | | | | | | 25.00 | 40.00 | 2.00 | | |
| | | | | | | | 40.00 | 63.00 | 2.50 | | |
| | | | | | | | 63.00 | 100.00 | 3.20 | | |
| | | | | | | | 100.00 | | 3.20% | | |



| | | | | | | | | | | | | | | | | |
|------------|--------------------|------------|---------------|-----|-------------------------|-----|--|---------------|-------------------------------|------------------------------|--------------------------|--------|--------|------|-------|------|
| | Part Number | | | | Created By | | Cross Sectional Area (mm²) | | Nominal Dimension (mm) | | Tolerance, ± (mm) | | | | | |
| | 208761 | | | | Isaac Erskine | | 4528 | | Greater Than | Less Than or Equal to | | | | | | |
| | Description | | | | Date Drawn | | Material | | 0.00 | | 1.50 | 0.40 | | | | |
| | | | | | 19/08/2020 | | EPDM | | 1.50 | | 2.50 | 0.50 | | | | |
| | Cable Protector | | | | Approved By | | Hardness (Shore A) | | 2.50 | | 4.00 | 0.70 | | | | |
| | | | | | Isaac Erskine | | 70 | | 4.00 | | 6.30 | 0.80 | | | | |
| | | | | | Date of Approval | | Colour | | 6.30 | | 10.00 | 1.00 | | | | |
| | 17/02/2022 | | Black | | 10.00 | | 16.00 | 1.30 | | | | | | | | |
| | Revision | | Date of Issue | | Sheet Scale | | Sheet Size | | Sheet | | Projection | | 16.00 | | 25.00 | 1.60 |
| | | | | | | | | | | | | | 25.00 | | 40.00 | 2.00 |
| 40.00 | | | | | | | | | | | | | 63.00 | 2.50 | | |
| 63.00 | | | | | | | | | | | | | 100.00 | 3.20 | | |
| A | | 17/02/2022 | | 1:1 | | A3 | | 1/1 | | 3rd Agl. | | 100.00 | | --- | 3.20% | |
| 17/02/2022 | | 1:1 | | A3 | | 1/1 | | Weight (kg/m) | | | | 5.705 | | | | |

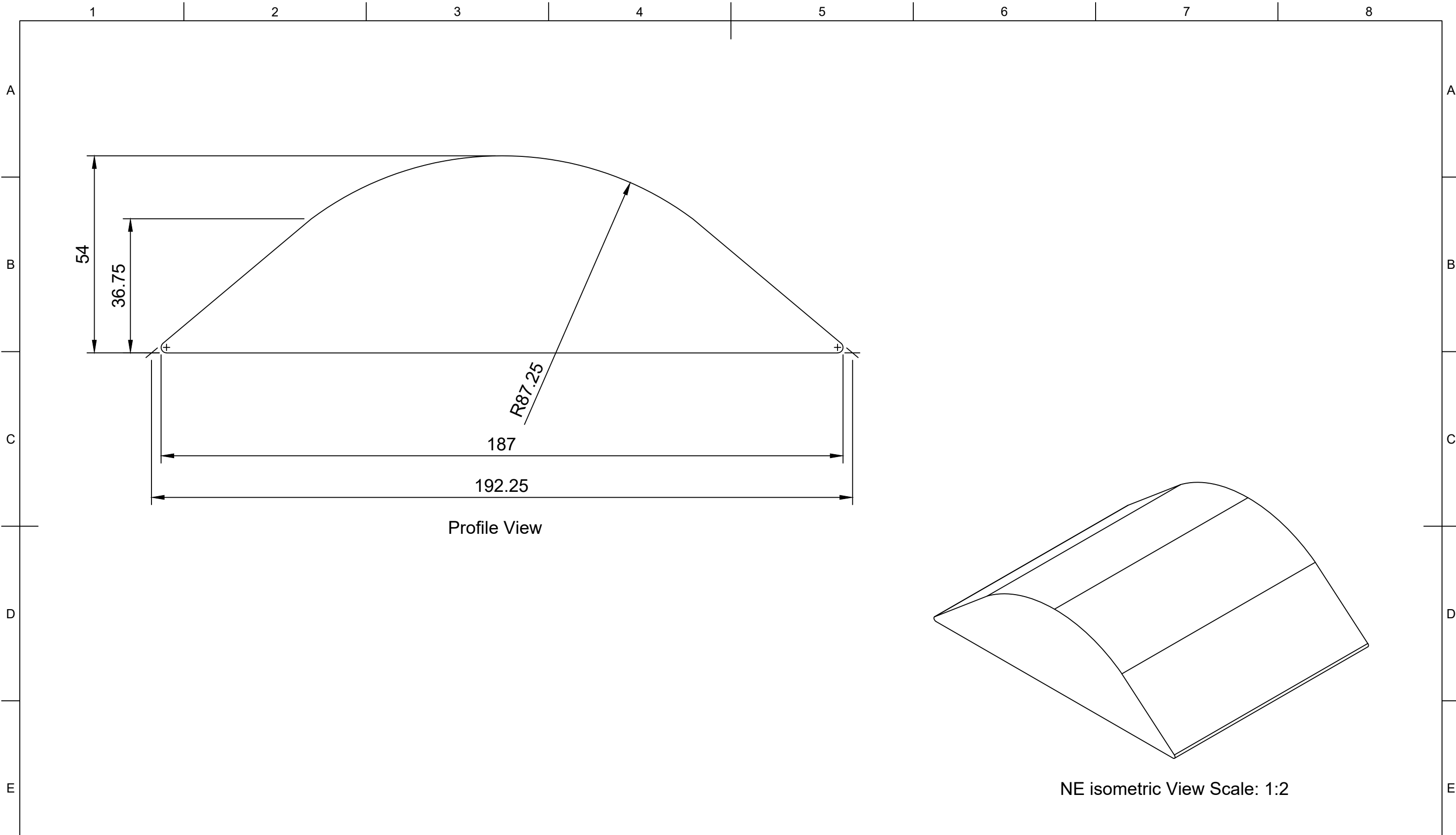


| | | | | | | | | | | | |
|---|----------------------|--------------------|-------------------|--------------|--|--|--|--------|-------------------------------|------------------------------|--------------------------|
|  | Part Number | | | | Created By | | Cross Sectional Area (mm²) | | Nominal Dimension (mm) | | Tolerance, ± (mm) |
| | 200848 | | | | Isaac Erskine | | 5347 | | Greater Than | Less Than or Equal to | |
| | Description | | | | Date Drawn | | Material | | | | |
| | Cable Protector | | | | 19/08/2020 | | EPDM | | | | |
| | | | | | Approved By | | Hardness (Shore A) | | | | |
| | | | | | Isaac Erskine | | 70 | | | | |
| | | | | | Date of Approval | | Colour | | | | |
| | | | | | 17/02/2022 | | Black | | | | |
| | | | | | Projection | | Weight (kg/m) | | | | |
| | | | | | 3rd Agl.  | | 6.737 | | | | |
| Revision | Date of Issue | Sheet Scale | Sheet Size | Sheet | | | | | | | |
| A | 17/02/2022 | 1:1 | A3 | 1/1 | | | | | | | |
| | | | | | | | | 25.00 | 40.00 | 2.00 | |
| | | | | | | | | 40.00 | 63.00 | 2.50 | |
| | | | | | | | | 63.00 | 100.00 | 3.20 | |
| | | | | | | | | 100.00 | | 3.20% | |

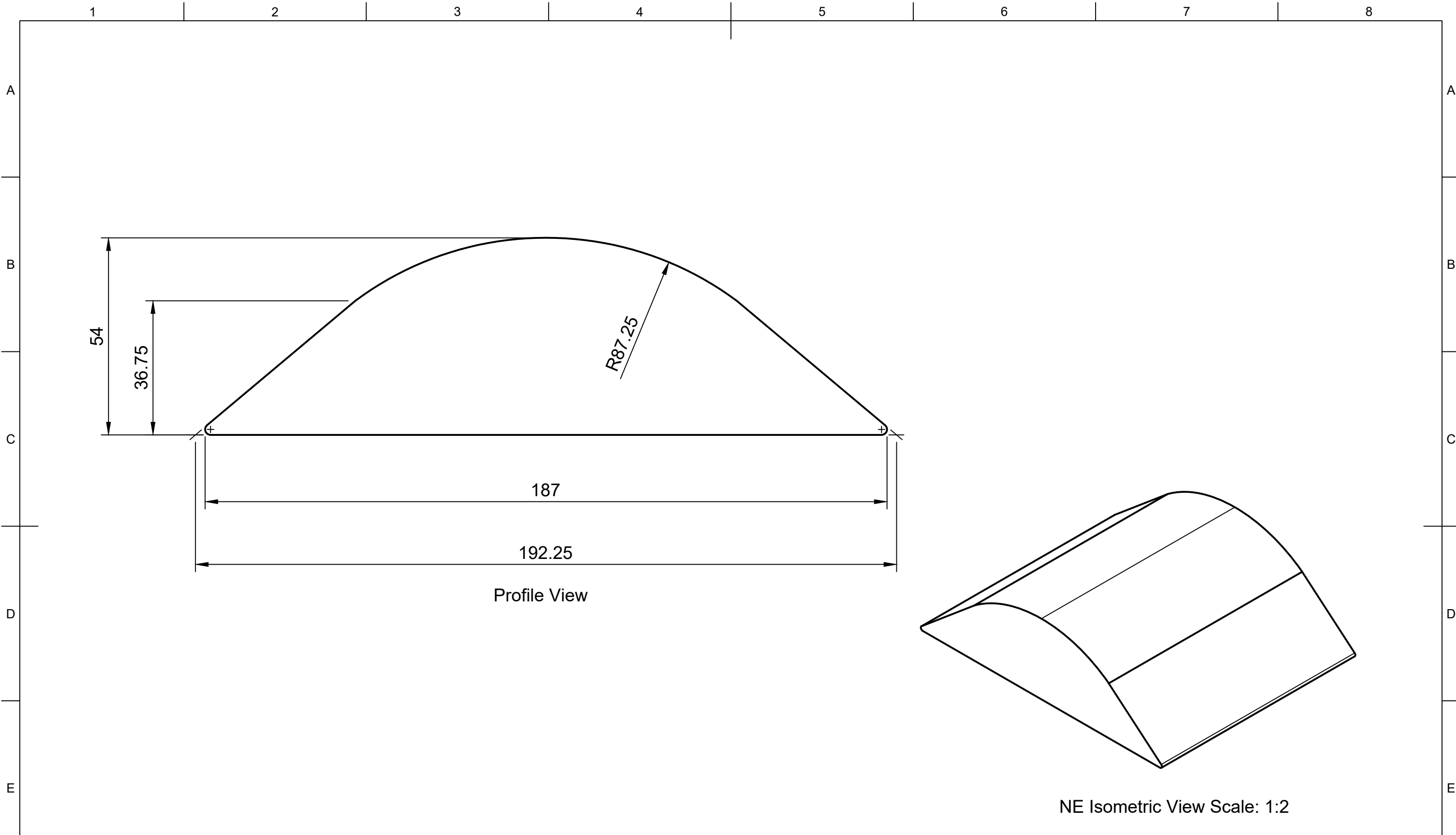



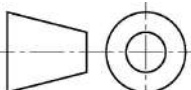
NE Isometric View Scale: 1:2

| | | | | | | | | | | | |
|-----------------|----------------------|--------------------|-------------------|--------------|-------------------------|----------------------|--|--|-------------------------------|------------------------------|--------------------------|
| | Part Number | | | | Created By | | Cross Sectional Area (mm²) | | Nominal Dimension (mm) | | Tolerance, ± (mm) |
| | 205159 | | | | Isaac Erskine | | 5363 | | Greater Than | Less Than or Equal to | |
| | Description | | | | Date Drawn | | Material | | 0.00 | | 0.40 |
| | | | | | 19/08/2020 | | EPDM | | 1.50 | | 0.50 |
| | Cable Protector | | | | Approved By | | Hardness (Shore A) | | 2.50 | | 0.70 |
| | | | | | Isaac Erskine | | 70 | | 4.00 | | 0.80 |
| | | | | | Date of Approval | | Colour | | 6.30 | | 1.00 |
| | 17/02/2022 | | Black | | 10.00 | | 1.30 | | | | |
| | 16.00 | | 25.00 | | 1.60 | | | | | | |
| | 25.00 | | 40.00 | | 2.00 | | | | | | |
| 40.00 | | 63.00 | | 2.50 | | | | | | | |
| 63.00 | | 100.00 | | 3.20 | | | | | | | |
| 100.00 | | 3.20% | | | | | | | | | |
| Revision | Date of Issue | Sheet Scale | Sheet Size | Sheet | Projection | Weight (kg/m) | | | | | |
| A | 17/02/2022 | 1:1 | A3 | 1/1 | 3rd Agl. | 6.757 | | | | | |



| | | | | | | | | | | | |
|--|----------------------|----------------------|--|--------------------|-------------------------|--------------|--|--------|-------------------------------|------------------------------|--------------------------|
| | Part Number | | | | Created By | | Cross Sectional Area (mm²) | | Nominal Dimension (mm) | | Tolerance, ± (mm) |
| | 209123 | | | | Isaac Erskine | | 6677 | | Greater Than | Less Than or Equal to | |
| | Description | | | | Date Drawn | | Material | | 0.00 | 1.50 | 0.40 |
| | Cable Protector | | | | 19/08/2020 | | EPDM | | 1.50 | 2.50 | 0.50 |
| | Revision | | | | Approved By | | Hardness (Shore A) | | 2.50 | 4.00 | 0.70 |
| | A | Date of Issue | | Sheet Scale | Sheet Size | Sheet | Isaac Erskine | | 4.00 | 6.30 | 0.80 |
| | | 17/02/2022 | | 1:1 | A3 | 1/1 | 17/02/2022 | | 6.30 | 10.00 | 1.00 |
| | Projection | | | | Date of Approval | | Colour | | 10.00 | 16.00 | 1.30 |
| | 3rd Agl. | | | | 17/02/2022 | | Black | | 16.00 | 25.00 | 1.60 |
| | Weight (kg/m) | | | | | | 8.413 | | 25.00 | 40.00 | 2.00 |
| | | | | | | | | 40.00 | 63.00 | 2.50 | |
| | | | | | | | | 63.00 | 100.00 | 3.20 | |
| | | | | | | | | 100.00 | | 3.20% | |



| | | | | | | | | | | | |
|---|----------------------|------------|--|---------------|--|----|--|--------|-------------------------------|------------------------------|--------------------------|
|  | Part Number | | | | Created By | | Cross Sectional Area (mm²) | | Nominal Dimension (mm) | | Tolerance, ± (mm) |
| | 204909 | | | | Isaac Erskine | | 6677 | | Greater Than | Less Than or Equal to | |
| | Description | | | | Date Drawn | | Material | | 0.00 | 1.50 | 0.40 |
| | Cable Protector | | | | 17/02/2022 | | Neoprene | | 1.50 | 2.50 | 0.50 |
| | Revision | | | | Approved By | | Hardness (Shore A) | | 2.50 | 4.00 | 0.70 |
| | A | 17/02/2022 | | Isaac Erskine | | 70 | | 4.00 | 6.30 | 0.80 | |
| | Date of Issue | | | | Date of Approval | | Colour | | 6.30 | 10.00 | 1.00 |
| | 17/02/2022 | | | | 17/02/2022 | | Black | | 10.00 | 16.00 | 1.30 |
| | Sheet Scale | | | | Projection | | Weight (kg/m) | | 16.00 | 25.00 | 1.60 |
| | 1:1 | | | | 3rd Agl.  | | 10.149 | | 25.00 | 40.00 | 2.00 |
| Sheet Size | | | | | | | | 40.00 | 63.00 | 2.50 | |
| A3 | | | | | | | | 63.00 | 100.00 | 3.20 | |
| Sheet | | | | | | | | 100.00 | | 3.20% | |
| 1/1 | | | | | | | | | | | |