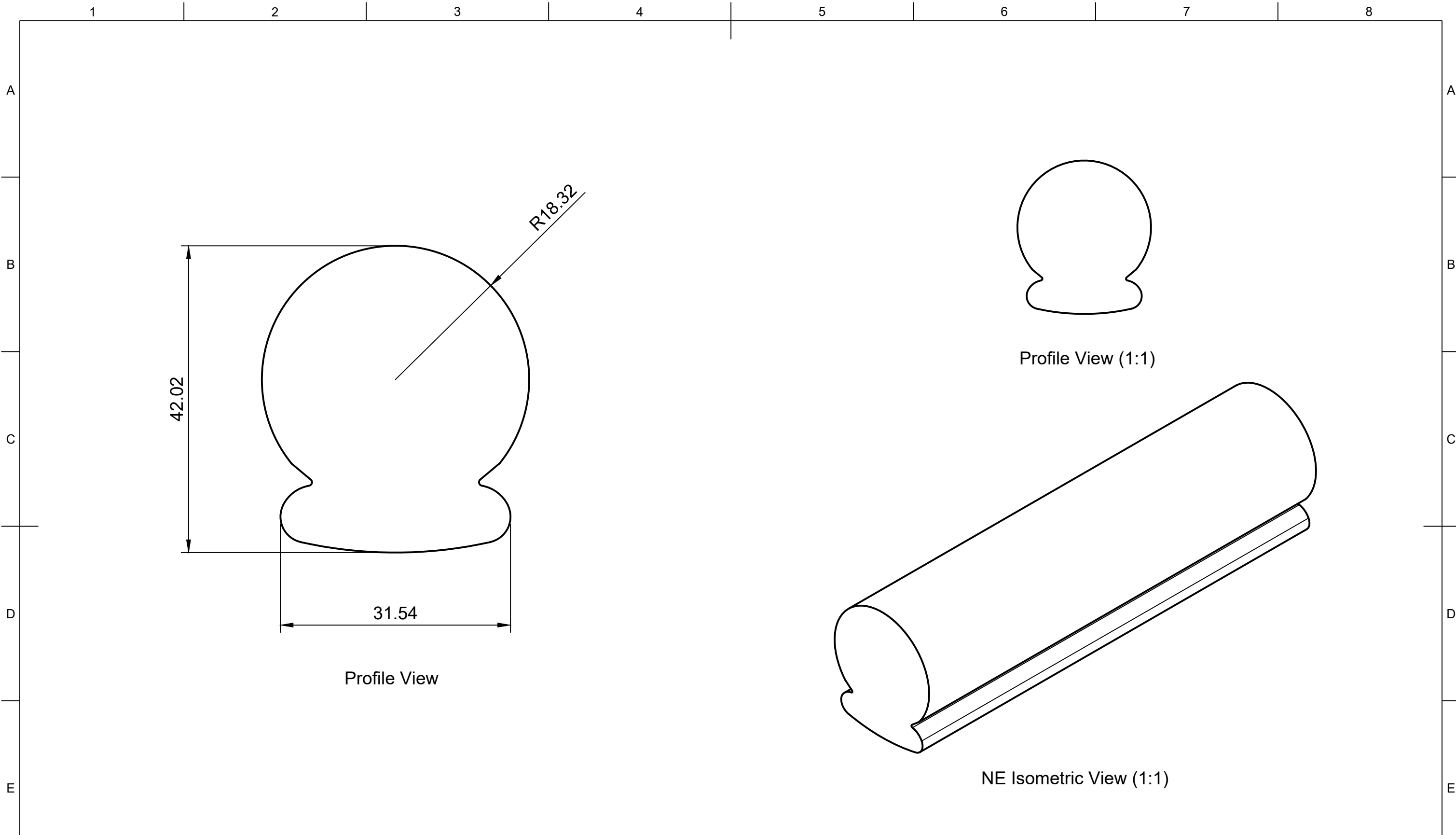

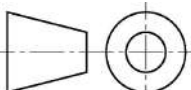
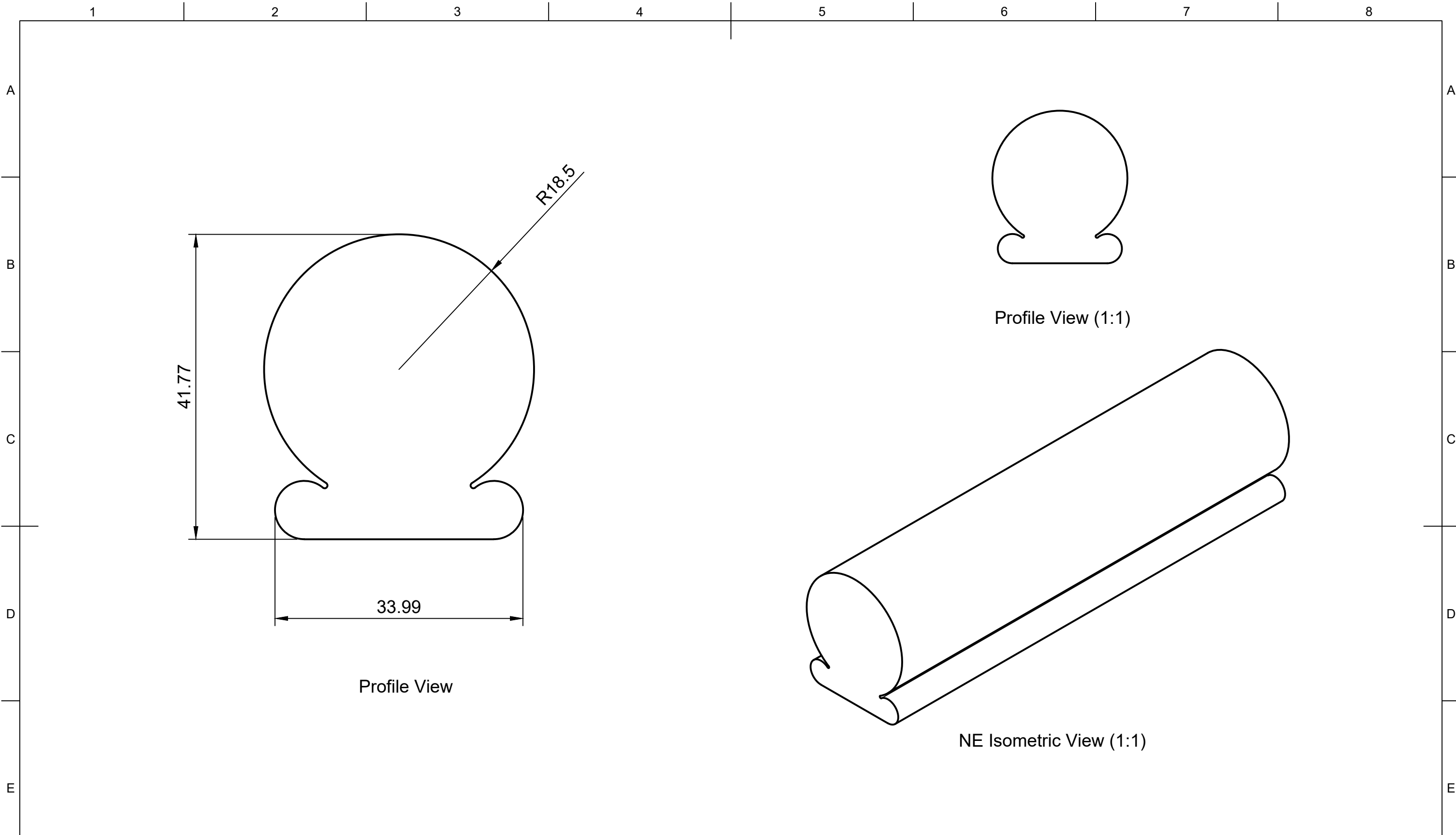



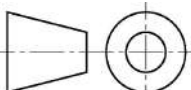


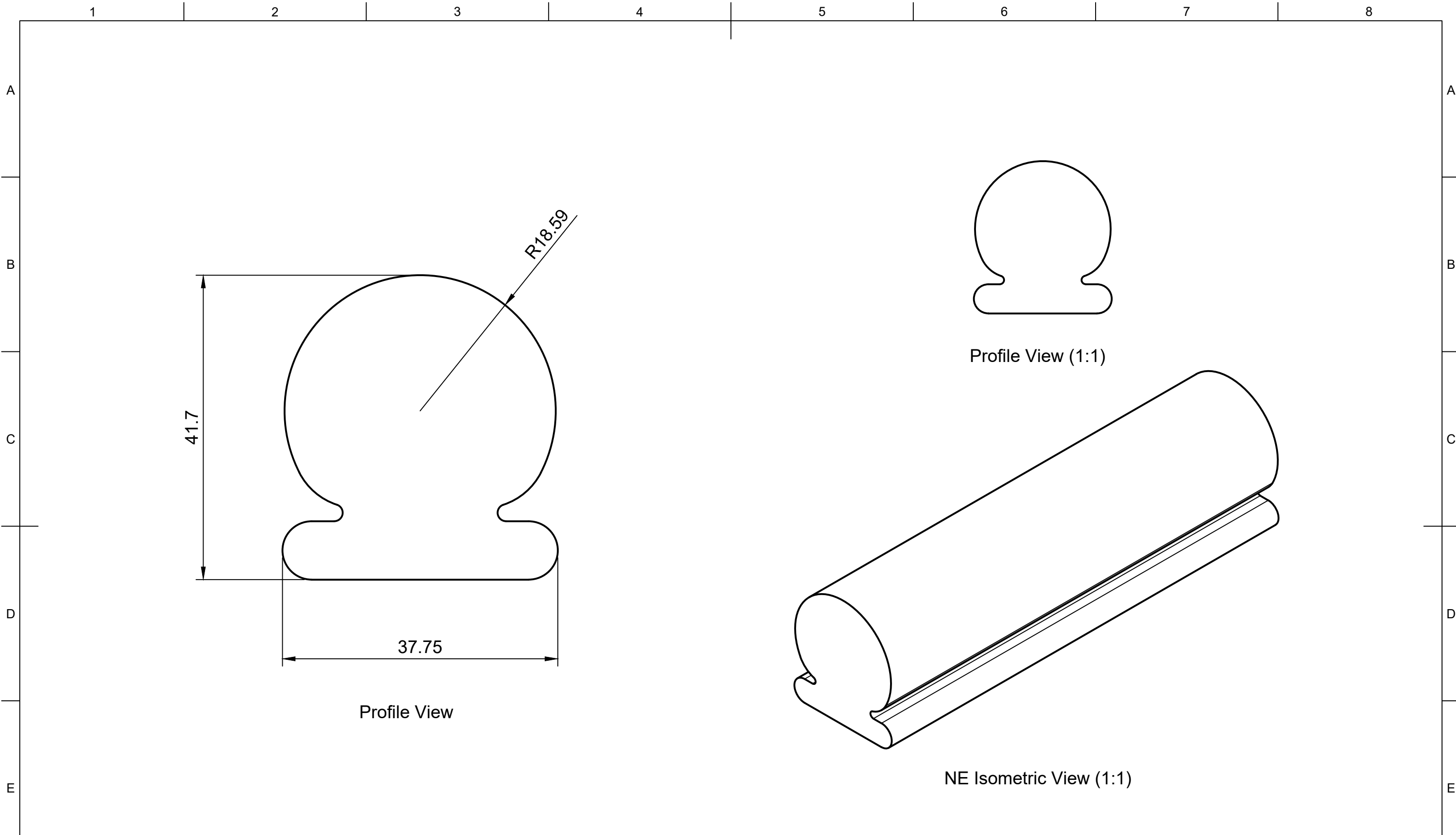
Cab Tyres


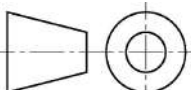


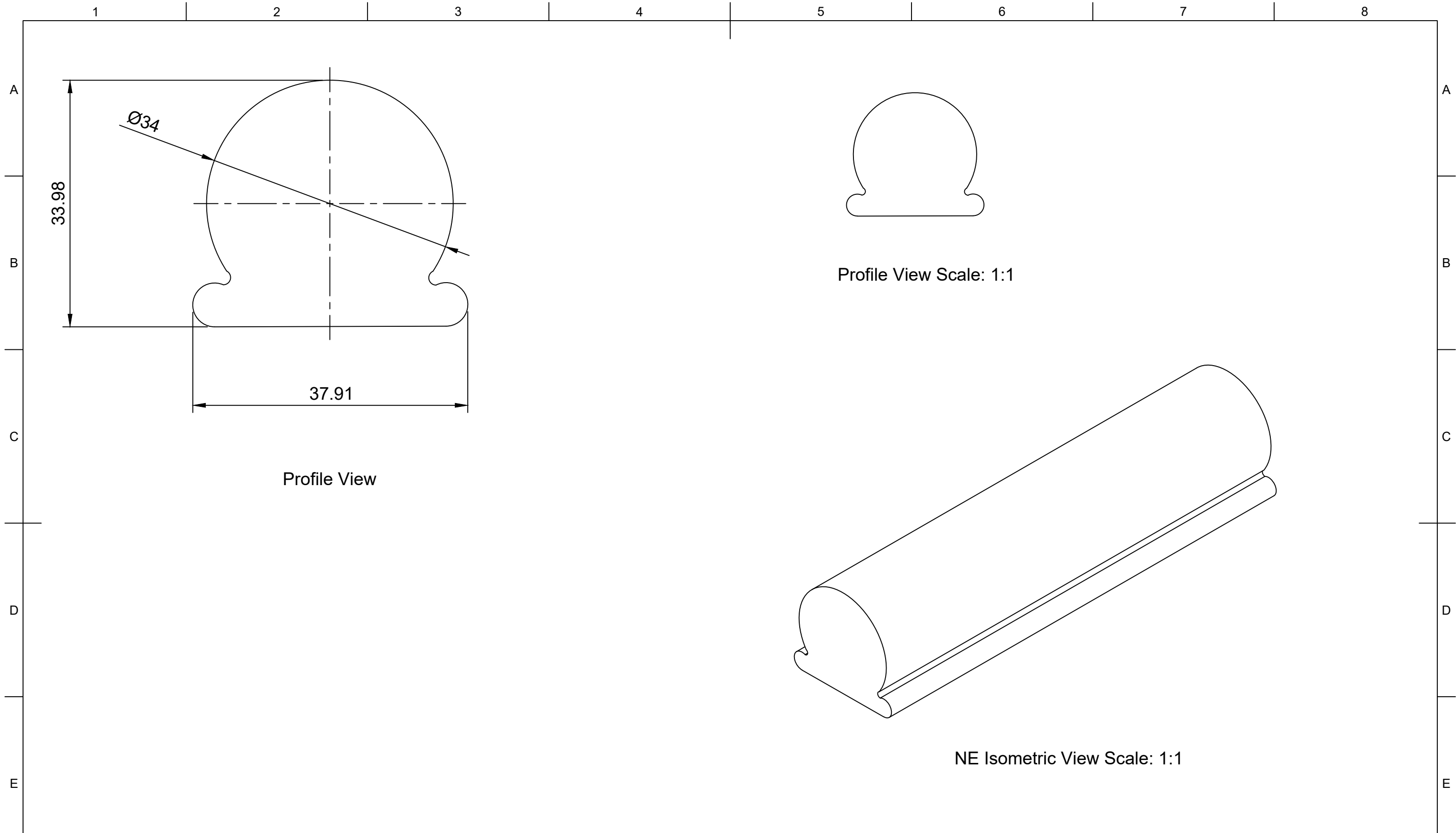
	Part Number				Created By		Cross Sectional Area (mm²)		Nominal Dimension (mm)		Tolerance, ± (mm)	
	201038				David Stirling		1250		Greater Than	Less Than or Equal to		
	Description				Date Drawn		Material		0.00	1.50	0.40	
	Cab Tyre				20/10/2021		EPDM		1.50	2.50	0.50	
	Revision				Approved By		Hardness (Shore A)		2.50	4.00	0.70	
	A	Date of Issue		Sheet Scale	Sheet Size	Sheet	Date of Approval		4.00	6.30	0.80	
		18/01/2022	2	A3	1/1	Projection		Colour		6.30	10.00	1.00
						3rd Agl. 		Black		10.00	16.00	1.30
						Weight (kg/m)		1.575		16.00	25.00	1.60
										25.00	40.00	2.00
									40.00	63.00	2.50	
									63.00	100.00	3.20	
									100.00		3.20%	


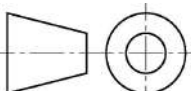


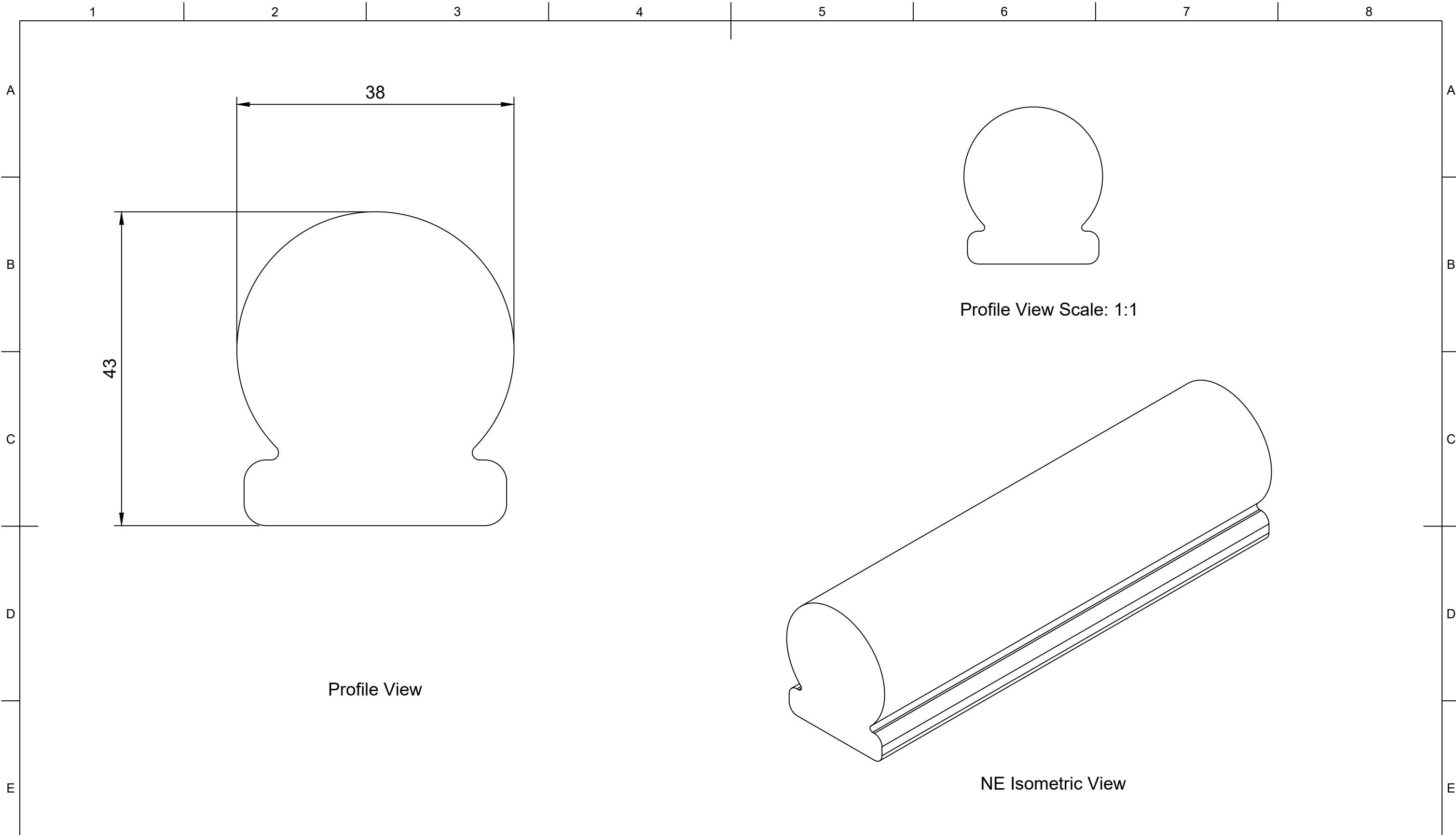
	Part Number				Created By		Cross Sectional Area (mm²)		Nominal Dimension (mm)		Tolerance, ± (mm)
	202665				David Stirling		1285		Greater Than	Less Than or Equal to	
	Description				Date Drawn		Material				
	Cab Tyre				20/10/2021		EPDM				
					Approved By		Hardness (Shore A)				
							70				
					Date of Approval		Colour				
							Black				
					Projection		Weight (kg/m)				
					3rd Agl. 		1.620				
								25.00	40.00	2.00	
								40.00	63.00	2.50	
								63.00	100.00	3.20	
								100.00		3.20%	



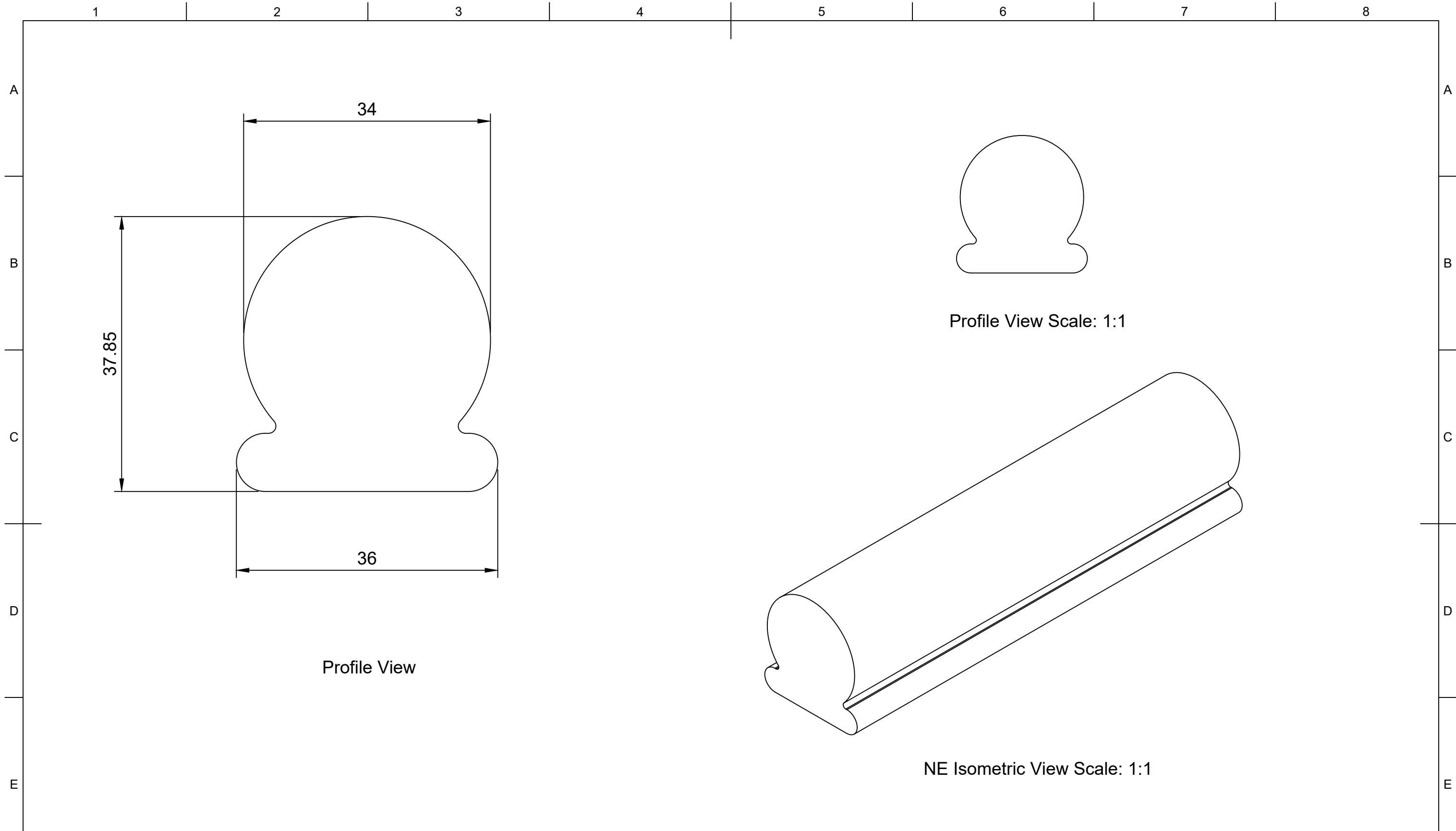
	Part Number				Created By		Cross Sectional Area (mm²)		Nominal Dimension (mm)		Tolerance, ± (mm)	
	203238				David Stirling		1312		Greater Than	Less Than or Equal to		
	Description				Date Drawn		Material		0.00		1.50	0.40
					20/10/2021		EPDM		1.50		2.50	0.50
	Cab Tyre				Approved By		Hardness (Shore A)		2.50		4.00	0.70
					Date of Approval		70		4.00		6.30	0.80
									6.30		10.00	1.00
					10.00		16.00		16.00		25.00	1.60
	Revision				Projection		Weight (kg/m)		25.00		40.00	2.00
	A	18/01/2022	2	A3	1/1	3rd Agl.			40.00		63.00	2.50
						1.654		63.00		100.00	3.20	
								100.00			3.20%	


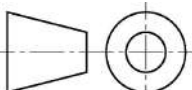


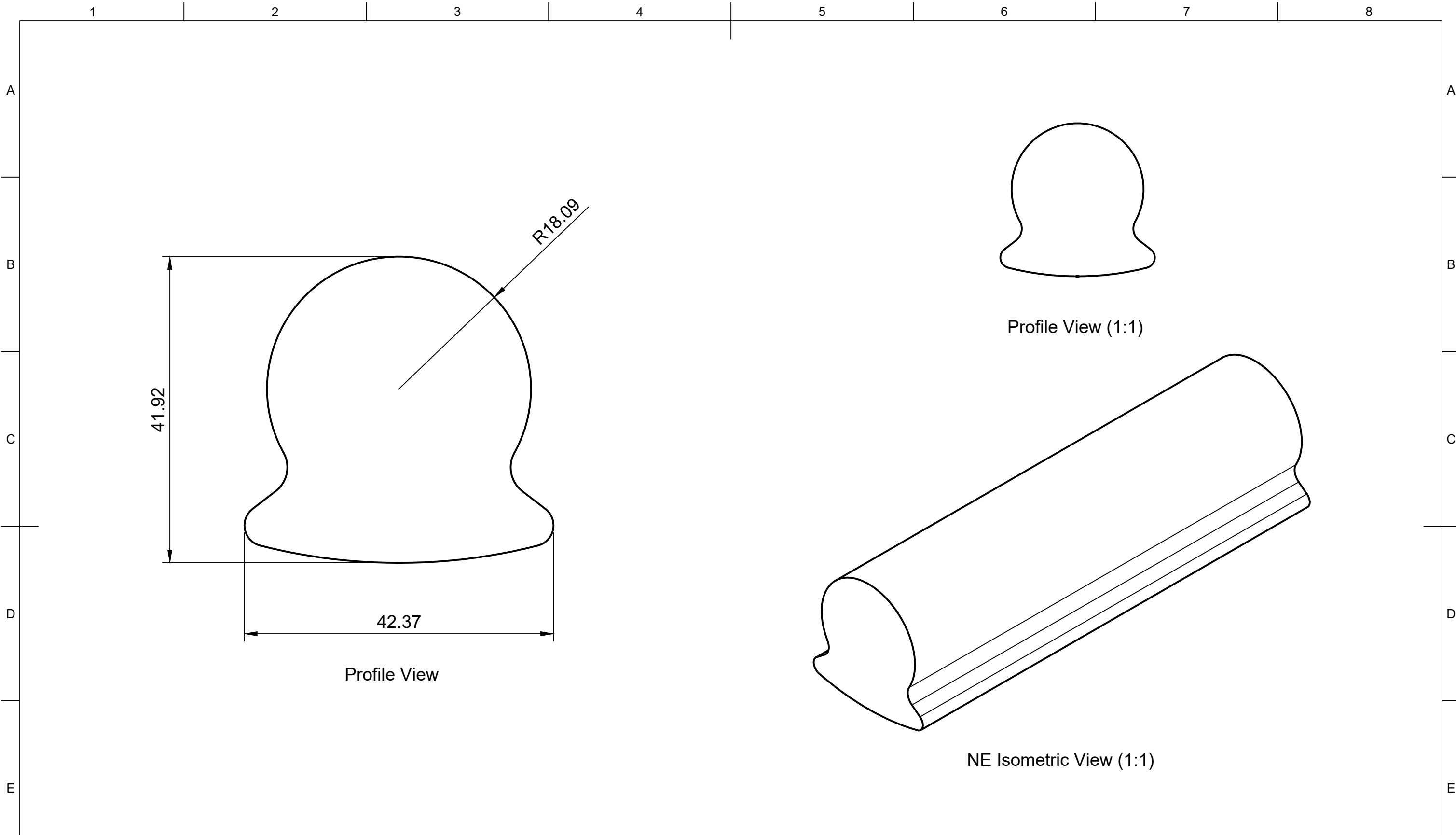
	Part Number				Created By		Cross Sectional Area (mm²)		Nominal Dimension (mm)		Tolerance, ± (mm)
	203587				David Stirling		1018		Greater Than	Less Than or Equal to	
	Description				Date Drawn		Material		0.00	1.50	0.40
	Cab Tyre				22/04/2020		EPDM		1.50	2.50	0.50
	Revision				Approved By		Hardness (Shore A)		2.50	4.00	0.70
	A	Date of Issue		Sheet Scale	Sheet Size	Sheet	Date of Approval		4.00	6.30	0.80
		18/01/2022		2:1	A3	1/1	Colour		6.30	10.00	1.00
	Projection				3rd Agl.		Weight (kg/m)		10.00	16.00	1.30
							1.238		16.00	25.00	1.60
									25.00	40.00	2.00
								40.00	63.00	2.50	
								63.00	100.00	3.20	
								100.00		3.20%	


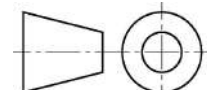


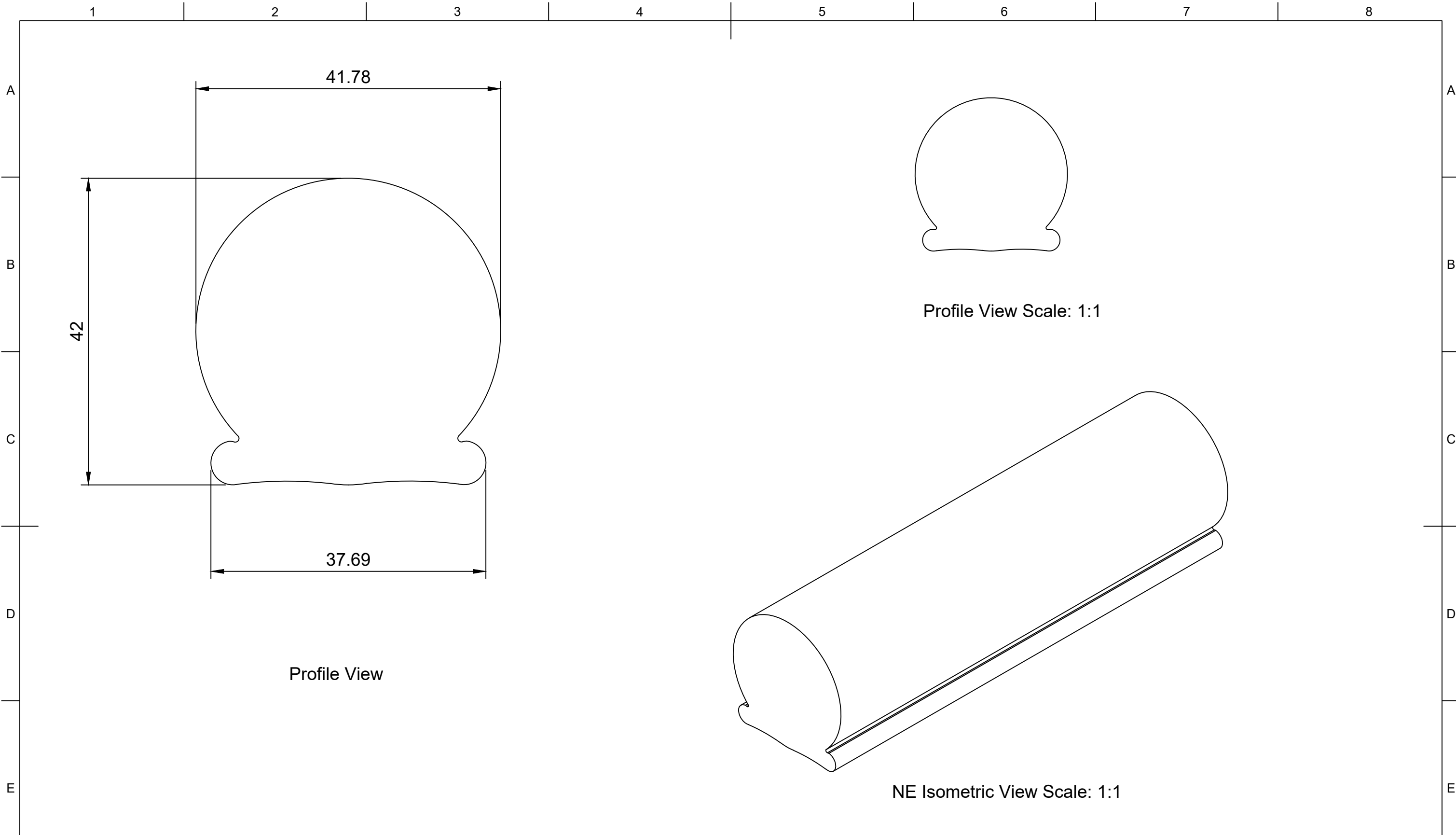
	Part Number				Created By		Cross Sectional Area (mm²)		Nominal Dimension (mm)		Tolerance, ± (mm)		
	203846				David Stirling		1389		Greater Than	Less Than or Equal to			
	Description				Date Drawn		Material		0.00	1.50	0.40		
	Cab Tyre				22/04/2020		EPDM		1.50	2.50	0.50		
	Revision				Approved By		Hardness (Shore A)		2.50	4.00	0.70		
	A	Date of Issue		Sheet Scale		Date of Approval		70		4.00	6.30	0.80	
		18/01/2022	2:1	Sheet Size		Colour		Black		6.30	10.00	1.00	
				A3	Sheet	Projection		Weight (kg/m)		10.00	16.00	1.30	
					1/1	3rd Agl.			1.88		16.00	25.00	1.60
									25.00	40.00	2.00		
								40.00	63.00	2.50			
								63.00	100.00	3.20			
								100.00		3.20%			


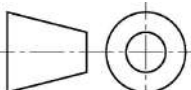


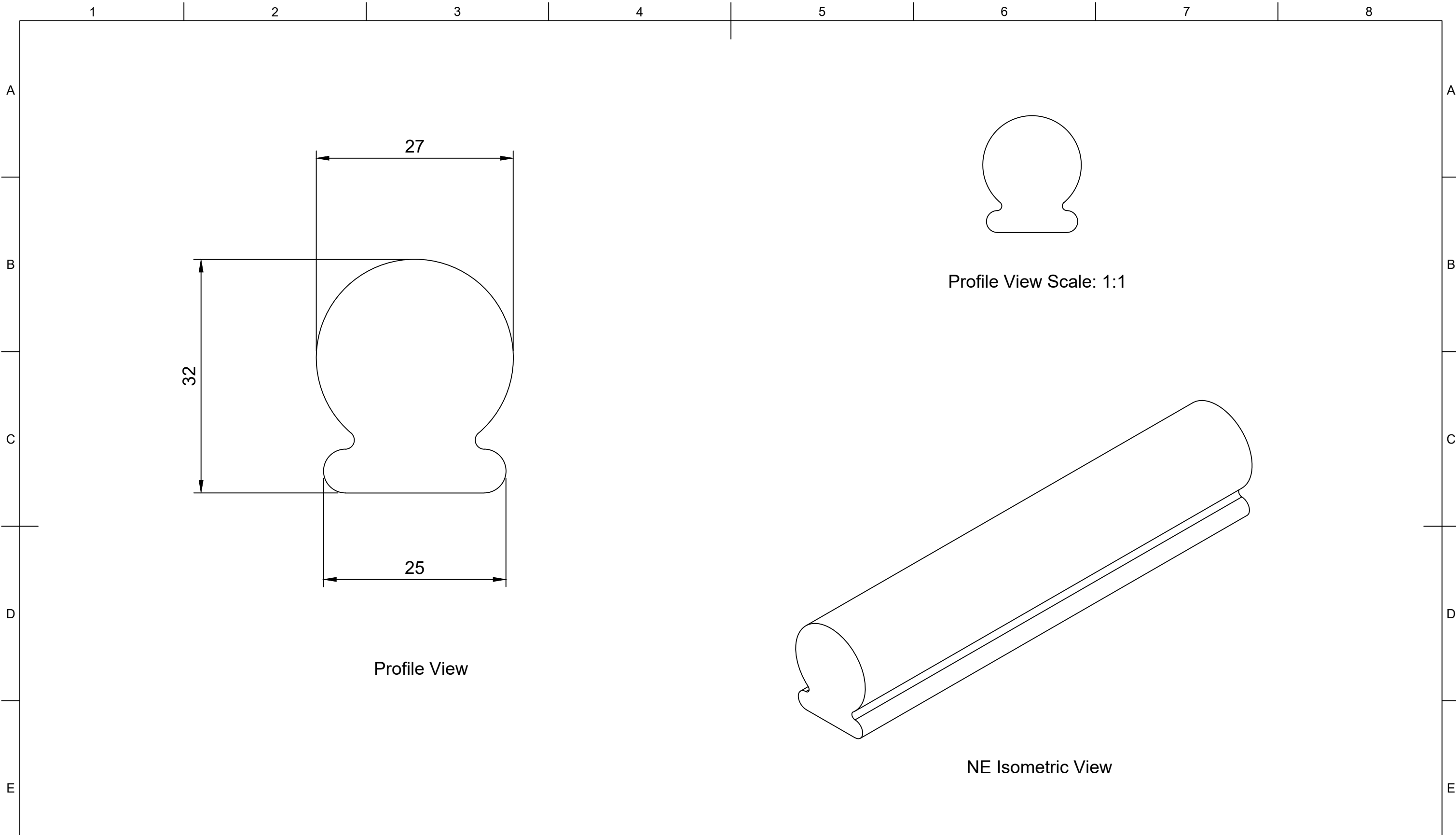
	Part Number				Created By		Cross Sectional Area (mm²)		Nominal Dimension (mm)		Tolerance, ± (mm)
	203890				David Stirling		1121		Greater Than	Less Than or Equal to	0.40
					Date Drawn		Material		0.00	1.50	
	Cab Tyre				22/04/2020		EPDM		1.50	2.50	0.50
					Approved By		Hardness (Shore A)		2.50	4.00	0.70
					Date of Approval		70		4.00	6.30	0.80
					Colour		Black		6.30	10.00	1.00
	Revision		Date of Issue		Projection		Weight (kg/m)		10.00	16.00	1.30
	A	18/01/2022	Sheet Scale	Sheet Size	Sheet	3rd Agl. 	1.378		16.00	25.00	1.60
			2:1	A3	1/1				25.00	40.00	2.00
								40.00	63.00	2.50	
								63.00	100.00	3.20	
								100.00		3.20%	


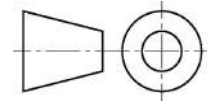


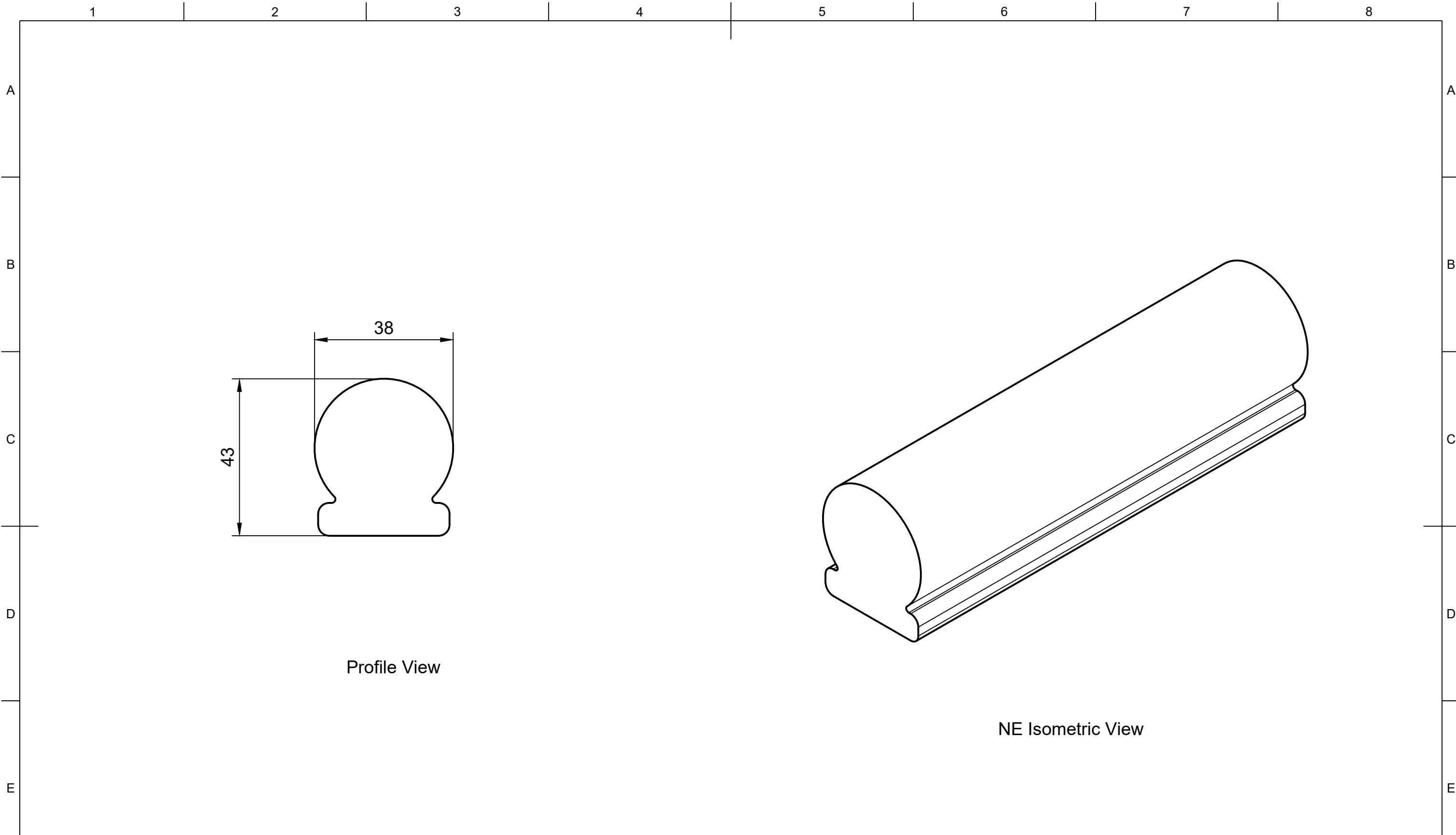
	Part Number				Created By		Cross Sectional Area (mm²)		Nominal Dimension (mm)		Tolerance, ± (mm)		
	205477				David Stirling		1341		Greater Than	Less Than or Equal to			
	Description				Date Drawn		Material		0.00	1.50	0.40		
	Cab Tyre				20/10/2021		EPDM		1.50	2.50	0.50		
	Revision				Approved By		Hardness (Shore A)		2.50	4.00	0.70		
	A	Date of Issue		Sheet Scale		Sheet Size		Sheet		Date of Approval		Colour	
		18/01/2022		2		A3		1/1		70		Black	
	Projection				Weight (kg/m)		1.690		10.00	16.00	1.30		
	3rd Agl. 								16.00	25.00	1.60		
									25.00	40.00	2.00		
						40.00			63.00	2.50			
								63.00	100.00	3.20			
								100.00		3.20%			



	Part Number				Created By		Cross Sectional Area (mm²)		Nominal Dimension (mm)		Tolerance, ± (mm)
	206062				David Stirling		1465		Greater Than	Less Than or Equal to	0.40
					Date Drawn		Material		0.00	1.50	
	Cab Tyre				22/04/2020		EPDM		1.50	2.50	0.50
					Approved By		Hardness (Shore A)		2.50	4.00	0.70
					Date of Approval		70		4.00	6.30	0.80
					Colour		Black		6.30	10.00	1.00
	Revision		Date of Issue		Projection		Weight (kg/m)		10.00	16.00	1.30
	A	18/01/2022	Sheet Scale	Sheet Size	Sheet	3rd Agl. 	1.850		16.00	25.00	1.60
			2:1	A3	1/1				25.00	40.00	2.00
								40.00	63.00	2.50	
								63.00	100.00	3.20	
								100.00		3.20%	


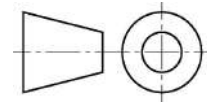


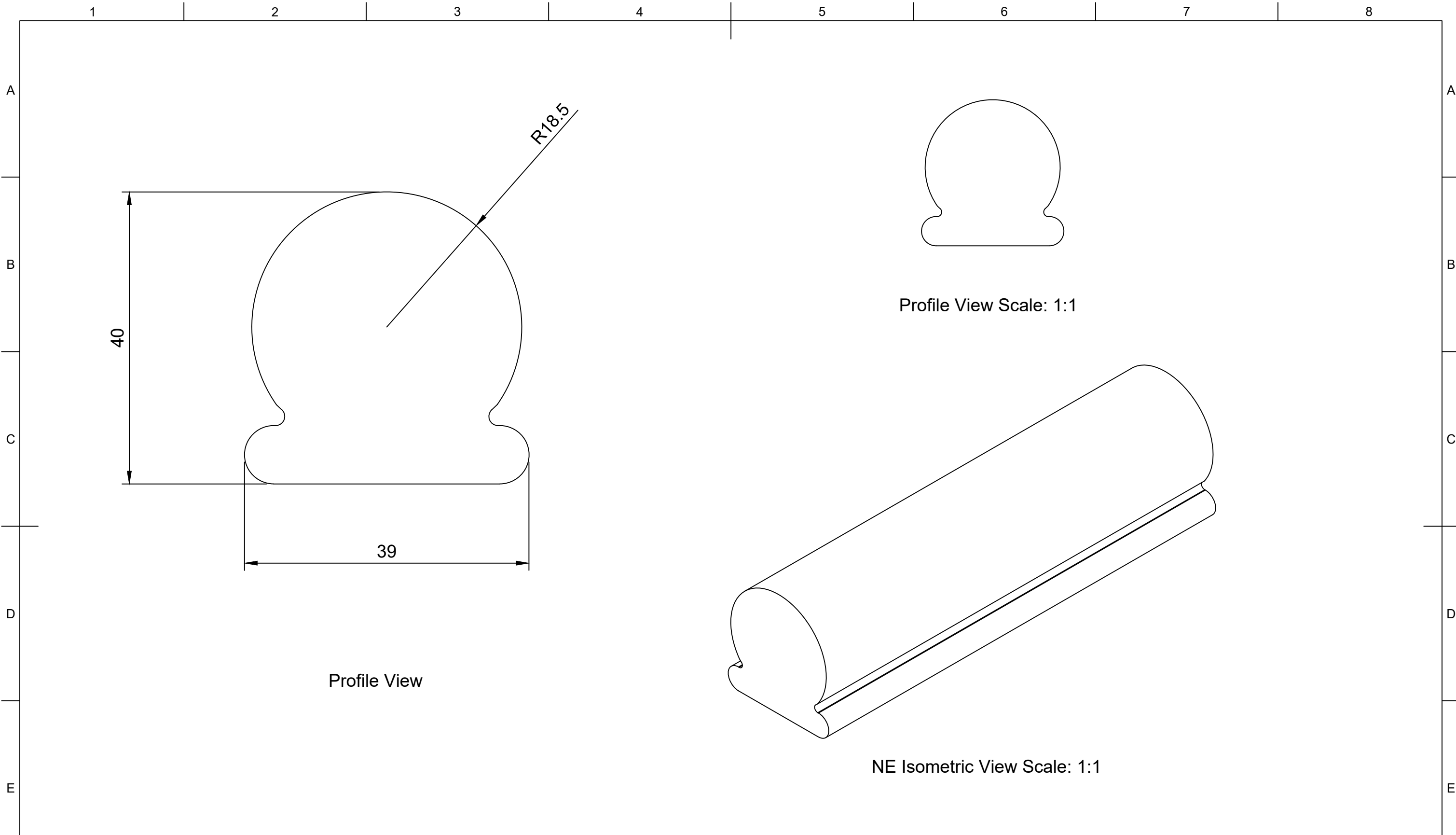
	Part Number				Created By		Cross Sectional Area (mm²)		Nominal Dimension (mm)		Tolerance, ± (mm)	
	206412				David Stirling		714		Greater Than	Less Than or Equal to		
	Description				Date Drawn		Material		0.00	1.50	0.40	
	Cab Tyre				22/04/2020		EPDM		1.50	2.50	0.50	
	Revision				Approved By		Hardness (Shore A)		2.50	4.00	0.70	
	A	18/01/2022		Sheet Scale		Date of Approval		70		4.00	6.30	0.80
		2:1		Sheet Size		Colour		Black		6.30	10.00	1.00
		A3		Sheet		Weight (g/m)		900		10.00	16.00	1.30
		1/1		Projection		3rd Agl.				16.00	25.00	1.60
										25.00	40.00	2.00
									40.00	63.00	2.50	
									63.00	100.00	3.20	
									100.00		3.20%	



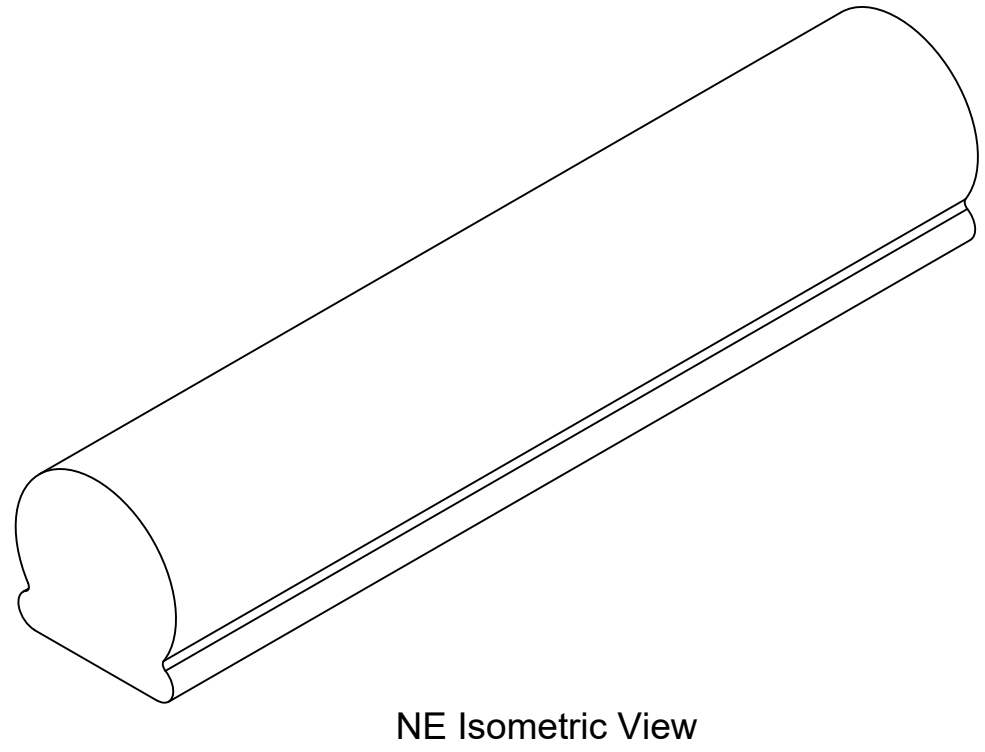
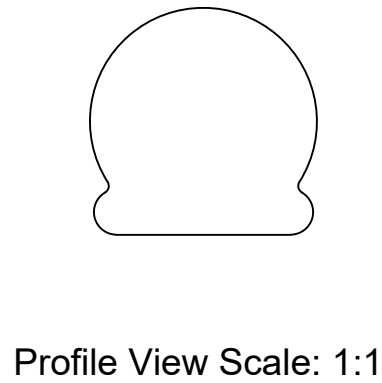
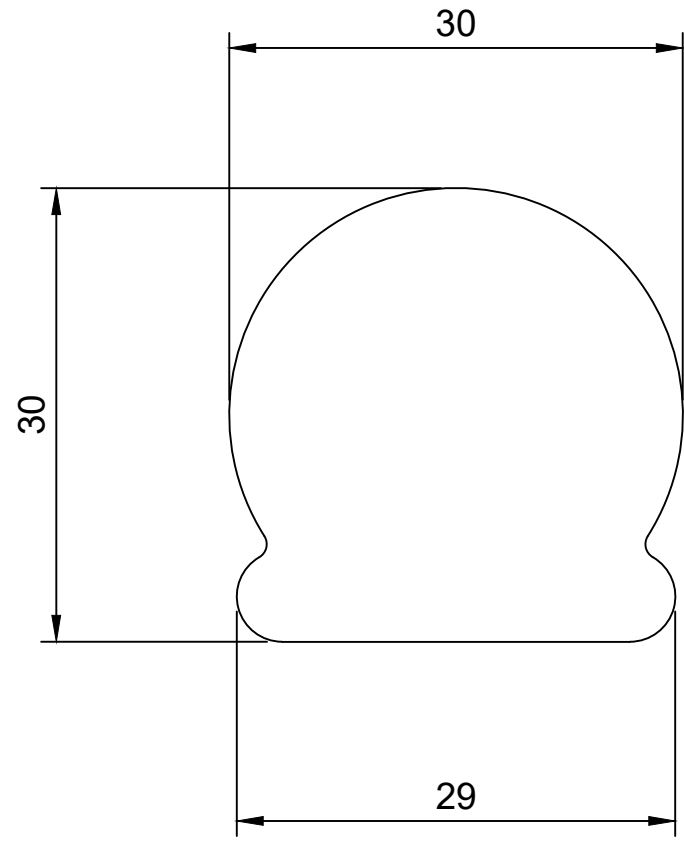
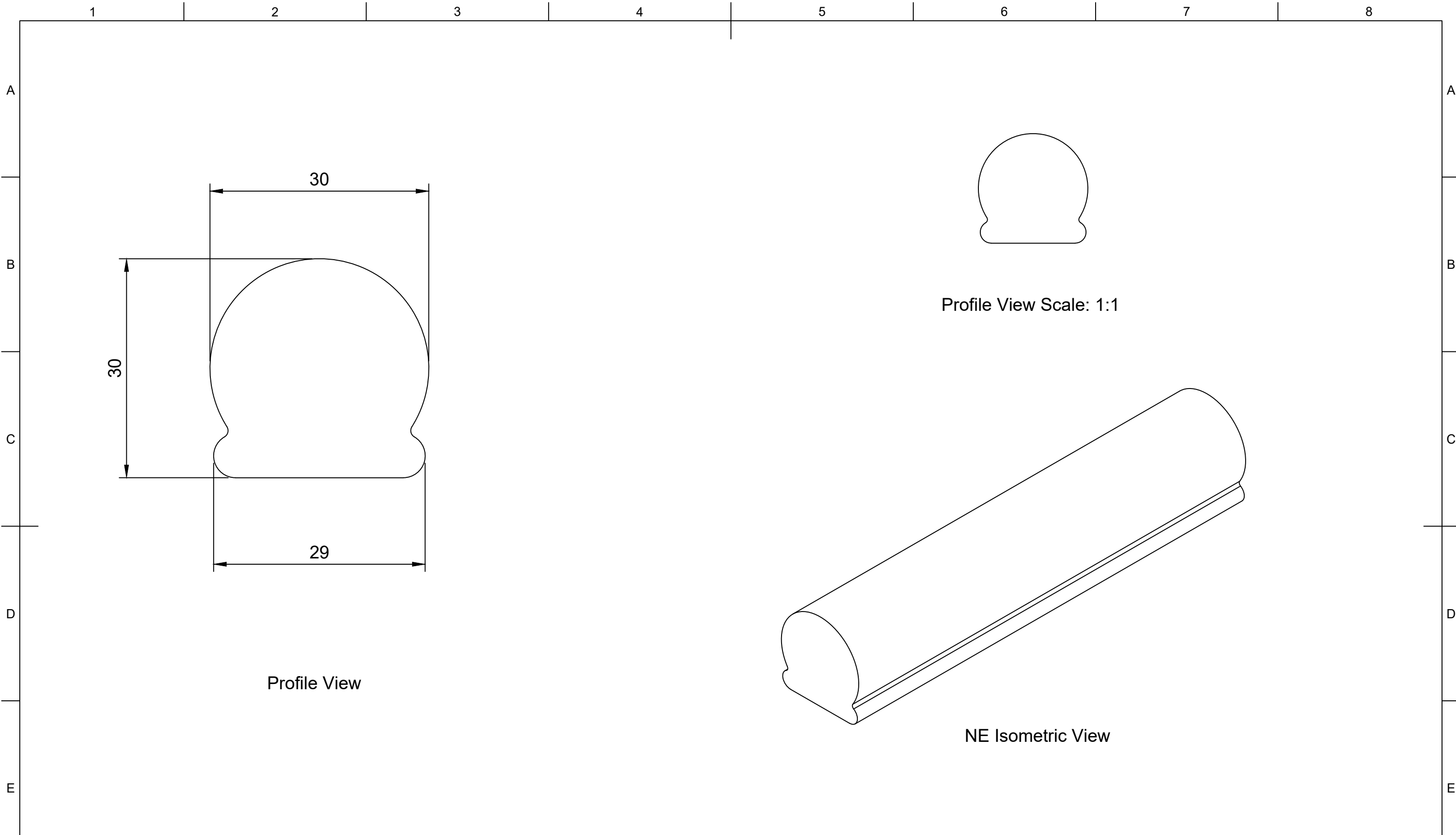
Profile View

NE Isometric View

	Part Number				Created By		Cross Sectional Area (mm²)		Nominal Dimension (mm)		Tolerance, ± (mm)		
	207069				David Stirling		1389		Greater Than	Less Than or Equal to			
	Description				Date Drawn		Material		0.00	1.50	0.40		
	Cab Tyre				18/01/2022		Neoprene		1.50	2.50	0.50		
	Revision				Approved By		Hardness (Shore A)		2.50	4.00	0.70		
	A	Date of Issue		Sheet Scale		Sheet Size		Sheet		Date of Approval		Colour	
		18/01/2022		1:1		A3		1/1		70		Black	
	Projection				Weight (kg/m)		3rd Agl.		2.29		4.00	6.30	0.80
											6.30	10.00	1.00
											10.00	16.00	1.30
										16.00	25.00	1.60	
										25.00	40.00	2.00	
										40.00	63.00	2.50	
										63.00	100.00	3.20	
										100.00		3.20%	



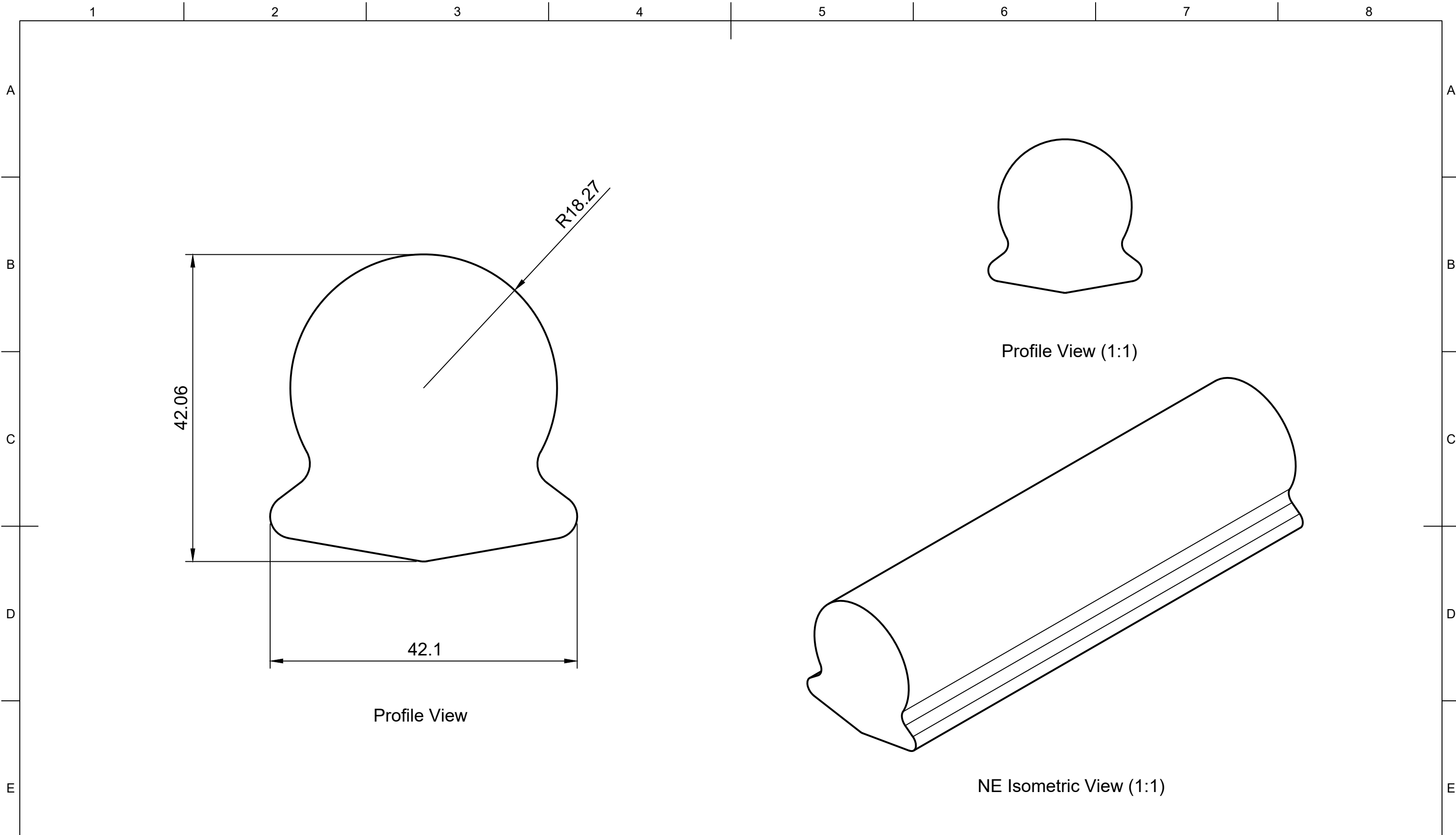
	Part Number				Created By		Cross Sectional Area (mm²)		Nominal Dimension (mm)		Tolerance, ± (mm)	
	208750				David Stirling		1289		Greater Than	Less Than or Equal to		
	Description				Date Drawn		Material		0.00	1.50	0.40	
	Cab Tyre				22/04/2020		EPDM		1.50	2.50	0.50	
	Revision				Approved By		Hardness (Shore A)		2.50	4.00	0.70	
	A	18/01/2022		Sheet Scale		Date of Approval		80		4.00	6.30	0.80
		2:1		Sheet Size		Colour		Black		6.30	10.00	1.00
		A3		Sheet		Weight (kg/m)		1.624		10.00	16.00	1.30
		1/1		Projection		3rd Agl.				16.00	25.00	1.60
										25.00	40.00	2.00
									40.00	63.00	2.50	
									63.00	100.00	3.20	
									100.00		3.20%	


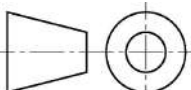


Part Number					209758				
Description					Cab Tyre				
Revision	Date of Issue	Sheet Scale	Sheet Size	Sheet					
A	18/01/2022	2:1	A3	1/1					

Created By	David Stirling	Cross Sectional Area (mm²)	773
Date Drawn	22/04/2020	Material	EPDM
Approved By		Hardness (Shore A)	70
Date of Approval		Colour	Black
Projection	3rd Agl.	Weight (g/m)	970

Nominal Dimension (mm)		Tolerance, ± (mm)
Greater Than	Less Than or Equal to	
0.00	1.50	0.40
1.50	2.50	0.50
2.50	4.00	0.70
4.00	6.30	0.80
6.30	10.00	1.00
10.00	16.00	1.30
16.00	25.00	1.60
25.00	40.00	2.00
40.00	63.00	2.50
63.00	100.00	3.20
100.00		3.20%



	Part Number				Created By		Cross Sectional Area (mm²)		Nominal Dimension (mm)		Tolerance, ± (mm)
	203931				Oliver Ryan		1329		Greater Than	Less Than or Equal to	
	Description				Date Drawn		Material		0.00	1.50	0.40
	Cab Tyre				26/09/2022		EPDM		1.50	2.50	0.50
	Revision				Approved By		Hardness (Shore A)		2.50	4.00	0.70
	A	26/09/2022		Isaac Erskine		70		4.00	6.30	0.80	
	Date of Issue				Date of Approval		Colour		6.30	10.00	1.00
	26/09/2022				26/09/2022		Black		10.00	16.00	1.30
	Sheet Scale				Projection		Weight (g/m)		16.00	25.00	1.60
	2:1				3rd Agl. 		1.675		25.00	40.00	2.00
Sheet Size								40.00	63.00	2.50	
A3								63.00	100.00	3.20	
Sheet								100.00		3.20%	
1/1											