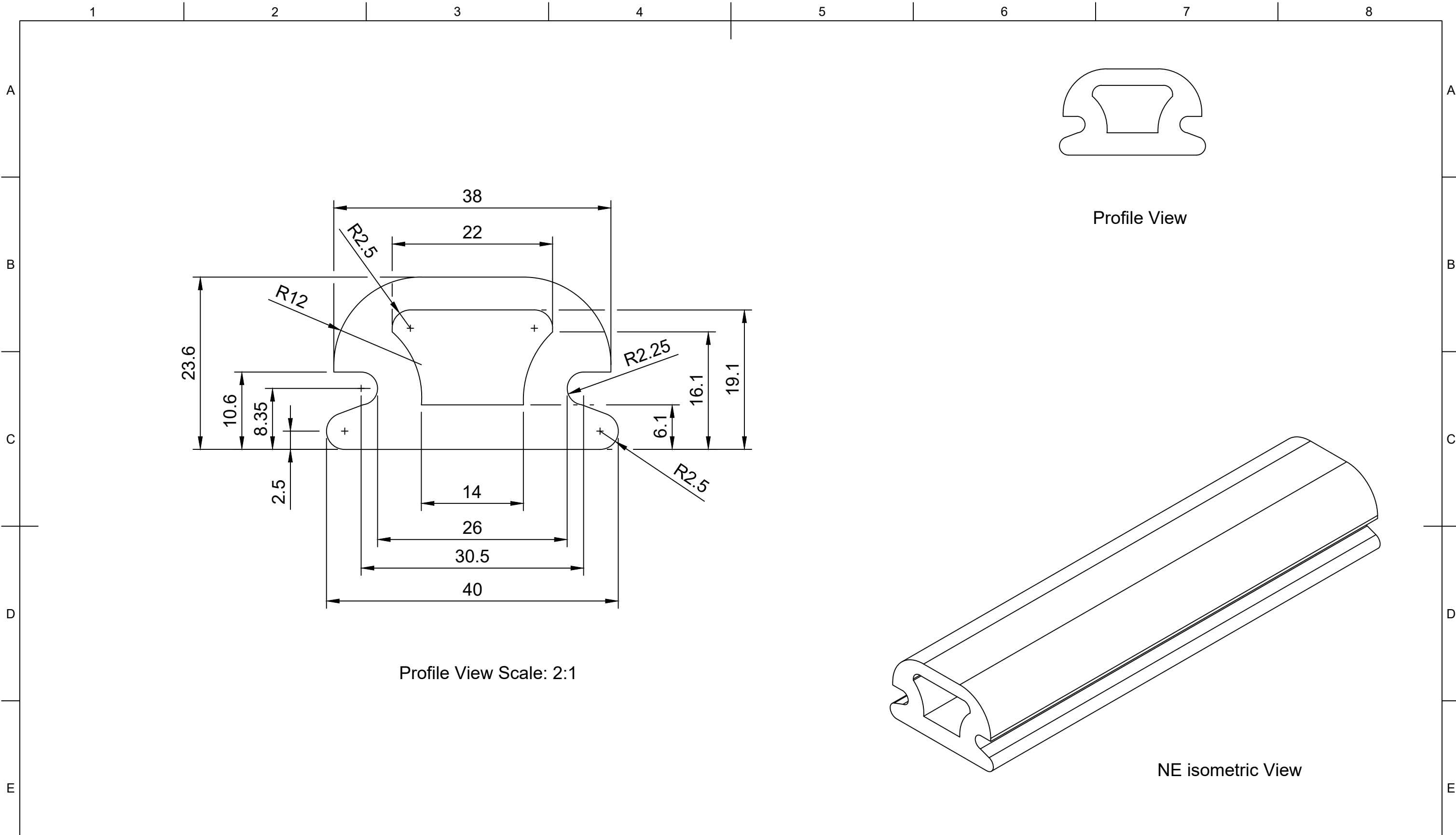




Buffer Inserts



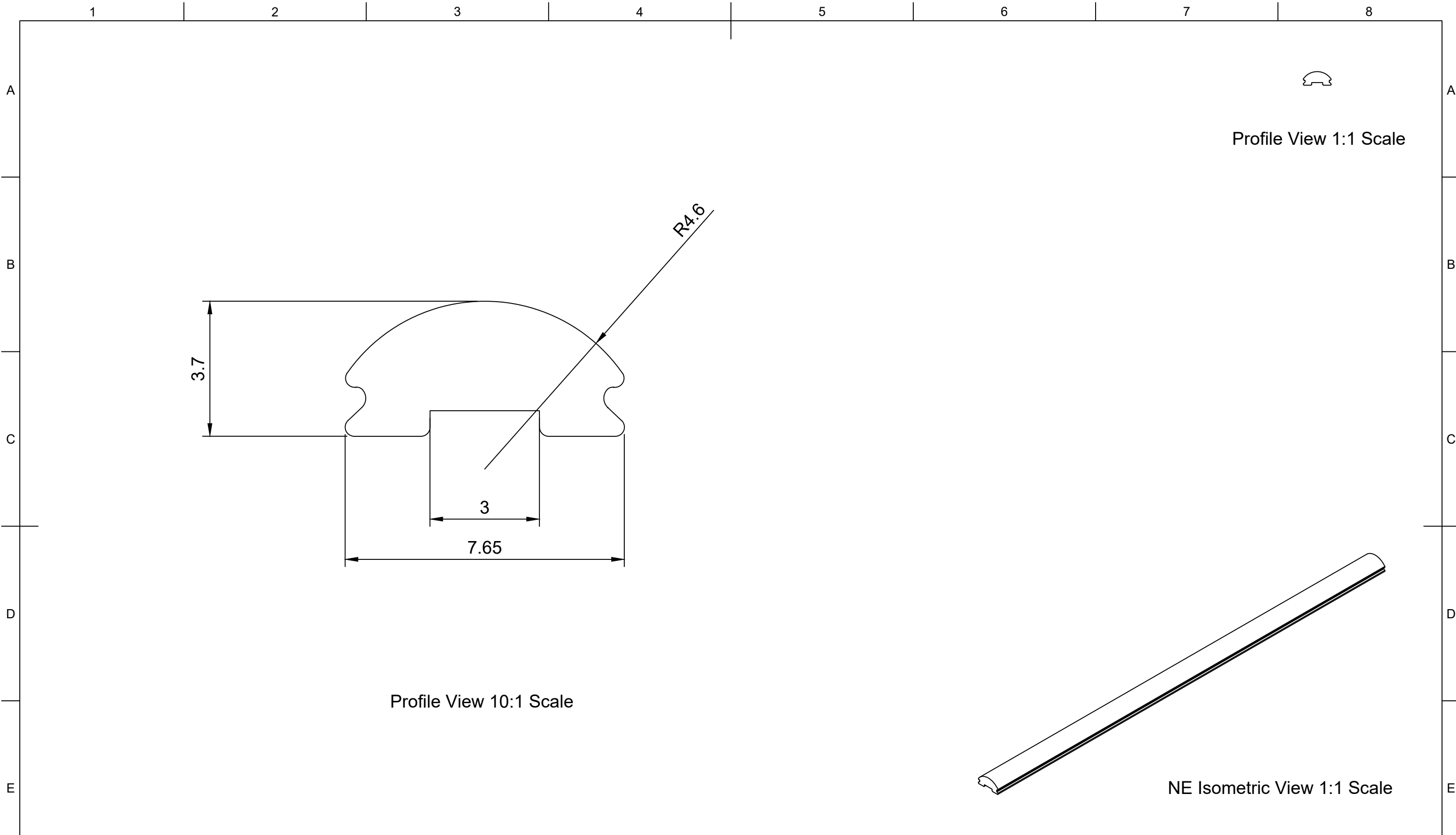
Profile View Scale: 2:1

Profile View

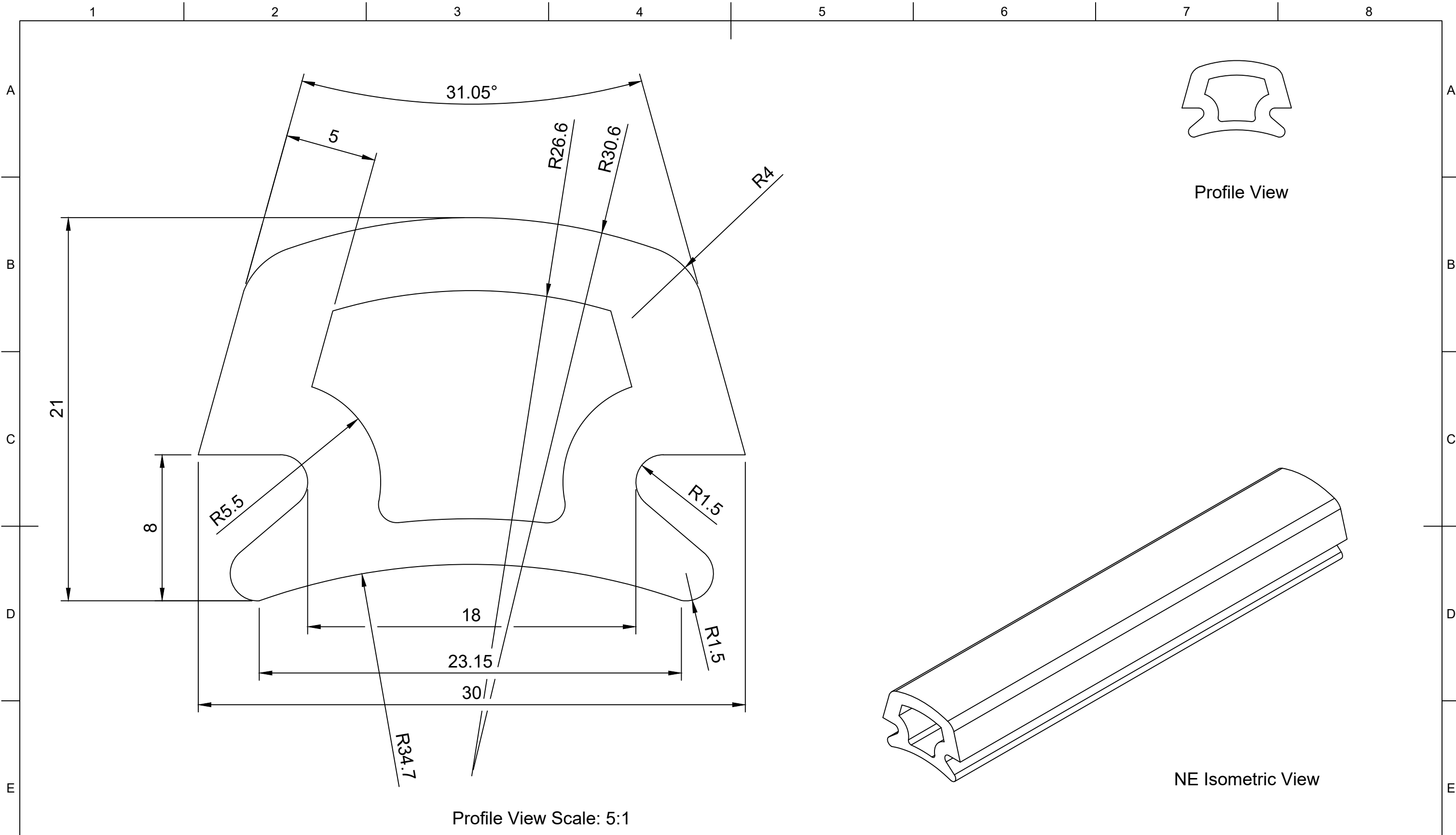
NE isometric View



	Part Number				Created By		Cross Sectional Area (mm ²)		Nominal Dimension (mm)		Tolerance, ± (mm)
	200177				David Stirling		559		Greater Than	Less Than or Equal to	
	Description				Date Drawn		Material		0.00	1.50	0.40
	Buffer Insert				19/05/2020		EPDM		1.50	2.50	0.50
	Revision				Approved By		Hardness (Shore A)		2.50	4.00	0.70
	A	Date of Issue		Sheet Scale	Sheet Size	Sheet	Date of Approval		4.00	6.30	0.80
		24/01/2022		1:1	A3	1/1	Colour		6.30	10.00	1.00
	Projection				3rd Agl.		Weight (g/m)		10.00	16.00	1.30
							704		16.00	25.00	1.60
									25.00	40.00	2.00
								40.00	63.00	2.50	
								63.00	100.00	3.20	
								100.00		3.20%	



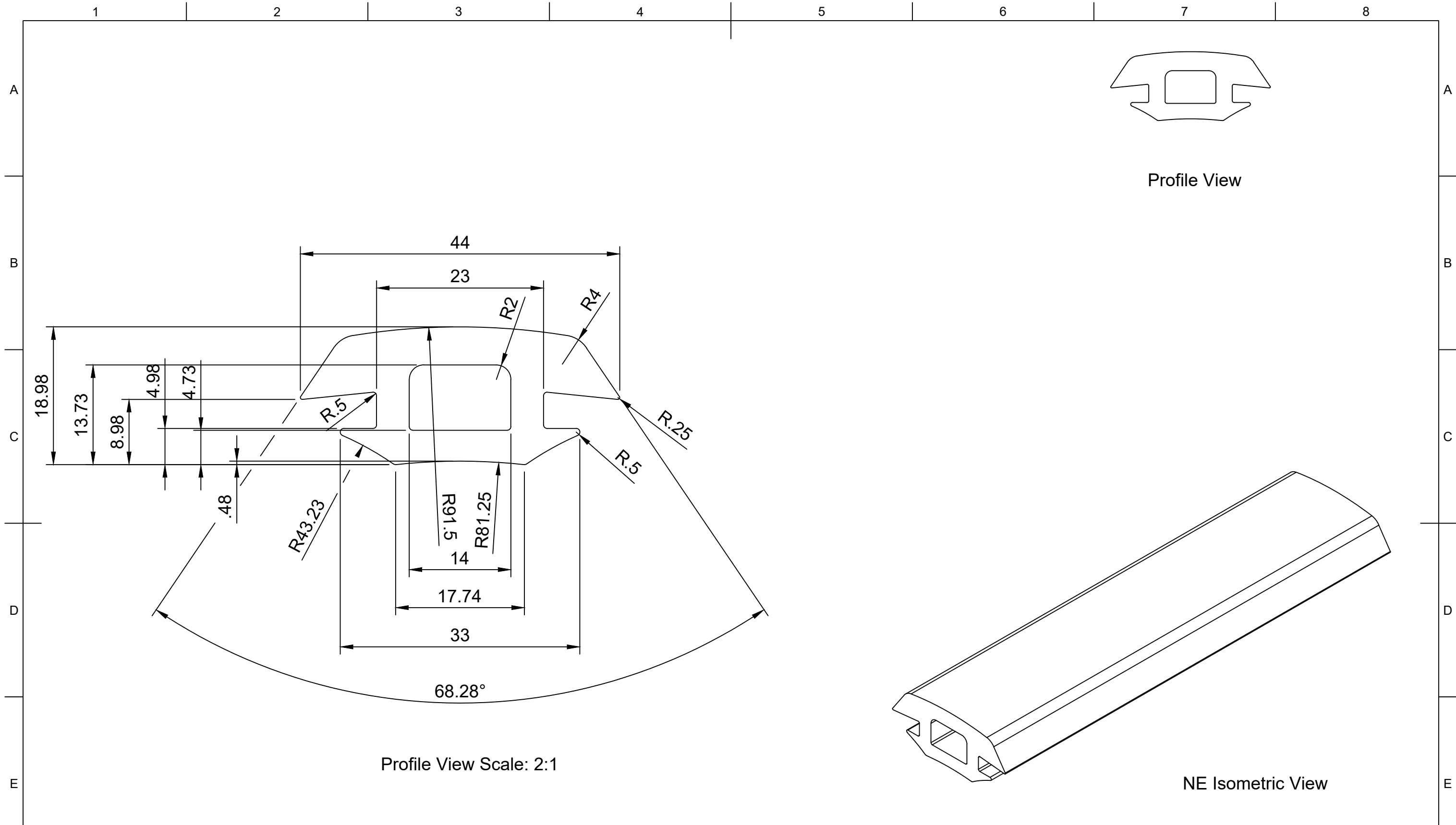
	Part Number				Created By		Cross Sectional Area (mm²)		Nominal Dimension (mm)		Tolerance, ± (mm)
	200230				David Stirling		21		Greater Than	Less Than or Equal to	
	Description				Date Drawn		Material		0.00	1.50	0.40
					07/10/2020		EPDM		1.50	2.50	0.50
	Bespoke Section				Approved By		Hardness (Shore A)		2.50	4.00	0.70
					Date of Approval		70		4.00	6.30	0.80
							Black		6.30	10.00	1.00
	Revision	Date of Issue	Sheet Scale	Sheet Size	Sheet	Projection	Weight (g/m)		10.00	16.00	1.30
	A	13/01/2022	10:1	A3	1/1	3rd Agl.	26		16.00	25.00	1.60
									25.00	40.00	2.00
								40.00	63.00	2.50	
								63.00	100.00	3.20	
								100.00		3.20%	



Profile View Scale: 5:1


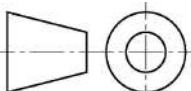


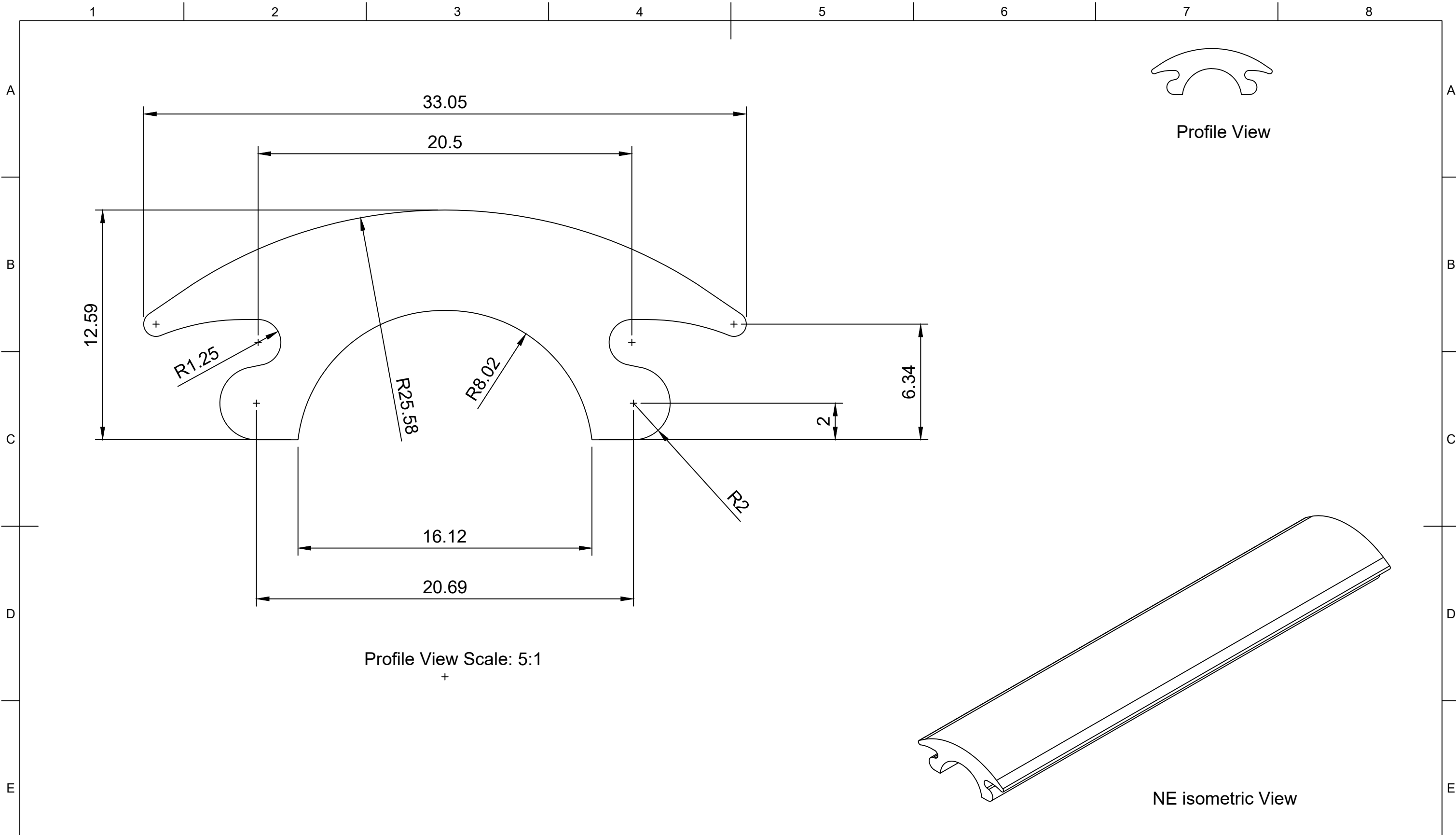
	Part Number				Created By		Cross Sectional Area (mm²)		Nominal Dimension (mm)		Tolerance, ± (mm)
	200447				David Stirling		307		Greater Than	Less Than or Equal to	
					Date Drawn		Material		0.00	1.50	0.40
					17/05/2020		EPDM		1.50	2.50	0.50
	Description				Approved By		Hardness (Shore A)		2.50	4.00	0.70
	Buffer Insert						70		4.00	6.30	0.80
					Date of Approval		Colour		6.30	10.00	1.00
							Black		10.00	16.00	1.30
							Weight (g/m)		16.00	25.00	1.60
							378		25.00	40.00	2.00
Revision	Date of Issue	Sheet Scale	Sheet Size	Sheet	Projection			40.00	63.00	2.50	
A	24/01/2022	1:1	A3	1/1	3rd Agl.			63.00	100.00	3.20	
								100.00		3.20%	


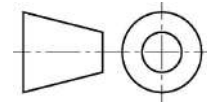


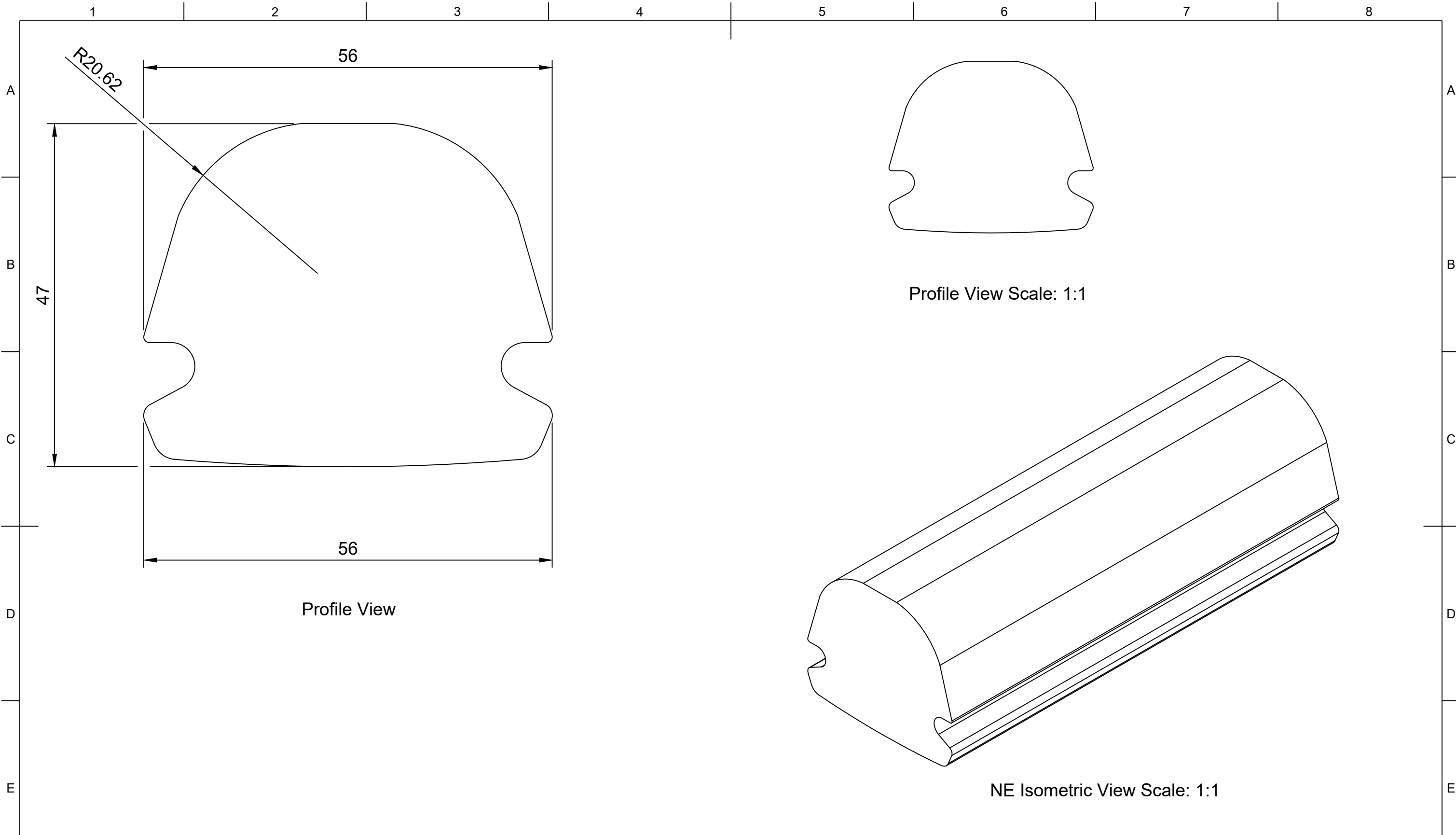
Profile View Scale: 2:1

NE Isometric View

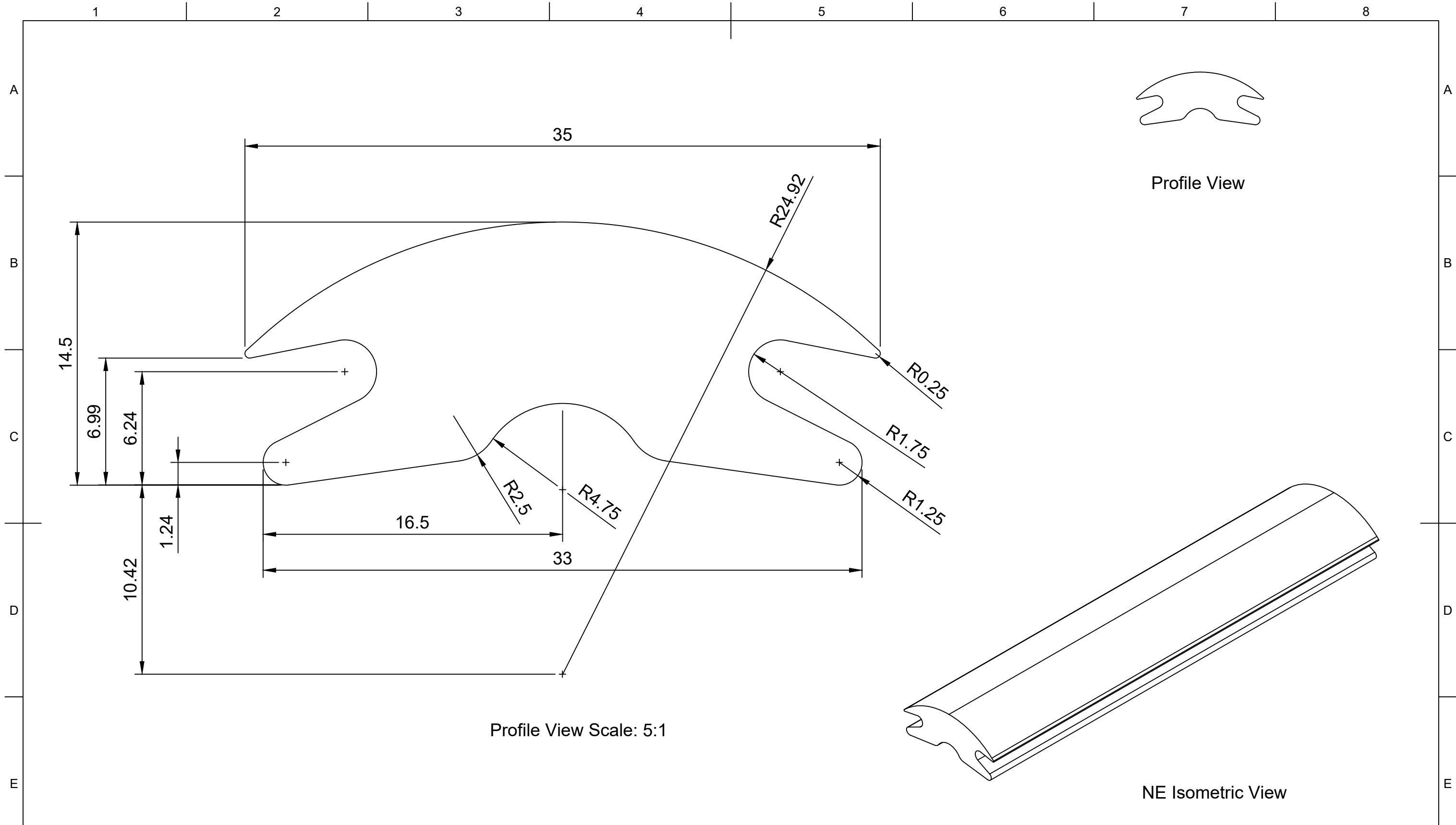
	Part Number				Created By		Cross Sectional Area (mm ²)		Nominal Dimension (mm)		Tolerance, ± (mm)
	202617				David Stirling		443		Greater Than	Less Than or Equal to	
	Description				Date Drawn		Material		0.00		0.40
	Buffer Insert				19/05/2020		EPDM		1.50		0.50
	Revision				Approved By		Hardness (Shore A)		2.50		0.70
	Date of Issue				Date of Approval		70		4.00		0.80
	Sheet Scale				Projection		Colour		6.30		1.00
	Sheet Size				3rd Agl. 		Black		10.00		1.30
	Sheet				Weight (g/m)		558		16.00		1.60
	A				24/01/2022		1:1		25.00		2.00
A3				1/1				40.00		2.50	
								63.00		3.20	
								100.00		3.20%	


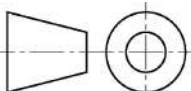


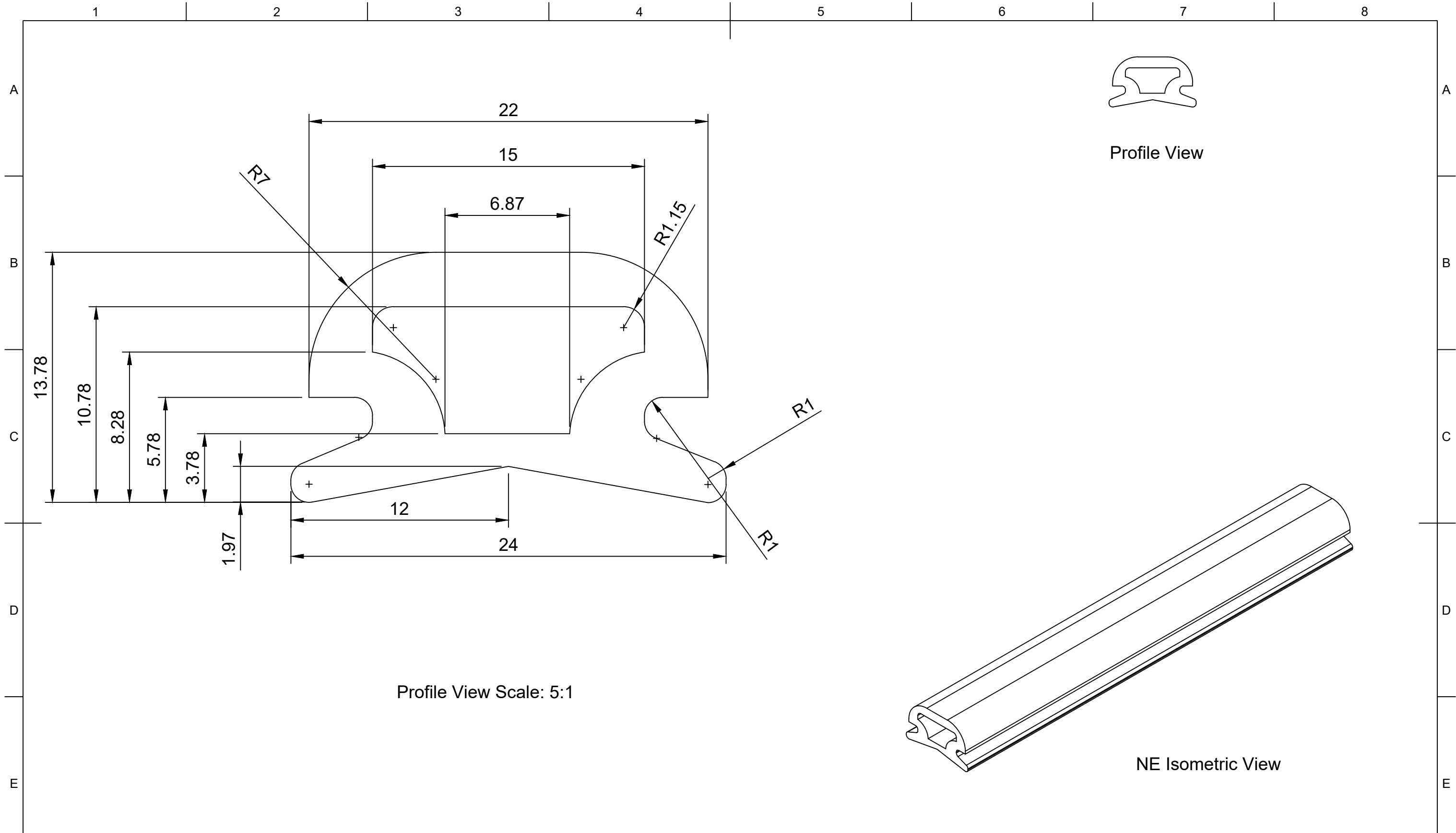
	Part Number				Created By		Cross Sectional Area (mm²)		Nominal Dimension (mm)		Tolerance, ± (mm)
	202700				David Stirling		195		Greater Than	Less Than or Equal to	
					Date Drawn		Material		0.00	1.50	0.40
					23/07/2020		EPDM		1.50	2.50	0.50
	Description				Approved By		Hardness (Shore A)		2.50	4.00	0.70
	Buffer Insert						70		4.00	6.30	0.80
					Date of Approval		Colour		6.30	10.00	1.00
							Black		10.00	16.00	1.30
							Weight (g/m)		16.00	25.00	1.60
							246		25.00	40.00	2.00
Revision	Date of Issue	Sheet Scale	Sheet Size	Sheet	Projection			40.00	63.00	2.50	
A	31/01/2022	1:1	A3	1/1	3rd Agl.			63.00	100.00	3.20	
								100.00		3.20%	



	Part Number				Created By		Cross Sectional Area (mm²)		Nominal Dimension (mm)		Tolerance, ± (mm)		
	203059				David Stirling		2170		Greater Than	Less Than or Equal to			
	Description				Date Drawn		Material		0.00	1.50	0.40		
					22/04/2020		EPDM		1.50	2.50	0.50		
	Buffer Insert				Approved By		Hardness (Shore A)		2.50	4.00	0.70		
					Date of Approval		70		Colour		4.00	6.30	0.80
									Black		6.30	10.00	1.00
											10.00	16.00	1.30
	Revision		Date of Issue		Projection		Weight (kg/m)		16.00	25.00	1.60		
	A	18/01/2022	2:1		A3		1/1		3rd Agl.		2.730		
								25.00	40.00	2.00			
								40.00	63.00	2.50			
								63.00	100.00	3.20			
								100.00		3.20%			



	Part Number				Created By		Cross Sectional Area (mm²)		Nominal Dimension (mm)		Tolerance, ± (mm)	
	204248				David Stirling		316		Greater Than	Less Than or Equal to		
	Description				Date Drawn		Material		0.00	1.50	0.40	
	Buffer Insert				18/05/2020		EPDM		1.50	2.50	0.50	
	Revision				Approved By		Hardness (Shore A)		2.50	4.00	0.70	
	A	24/01/2022		1:1		Date of Approval		70		4.00	6.30	0.80
	Date of Issue		Sheet Scale		Sheet Size		Colour		6.30	10.00	1.00	
	24/01/2022		1:1		A3		Black		10.00	16.00	1.30	
	Sheet		Projection		Weight (g/m)				16.00	25.00	1.60	
	1/1		3rd Agl. 		398				25.00	40.00	2.00	
								40.00	63.00	2.50		
								63.00	100.00	3.20		
								100.00		3.20%		

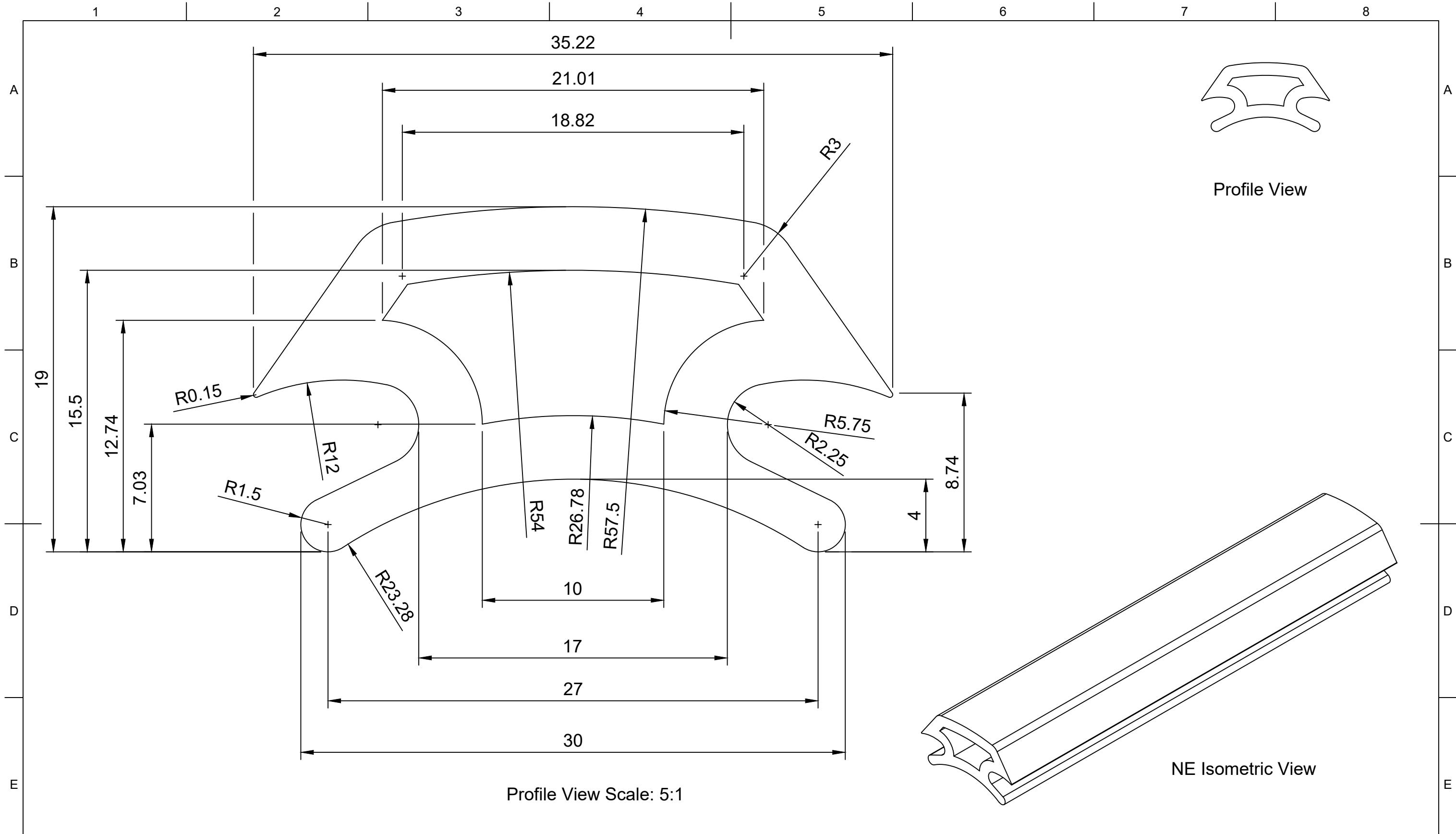


Profile View Scale: 5:1

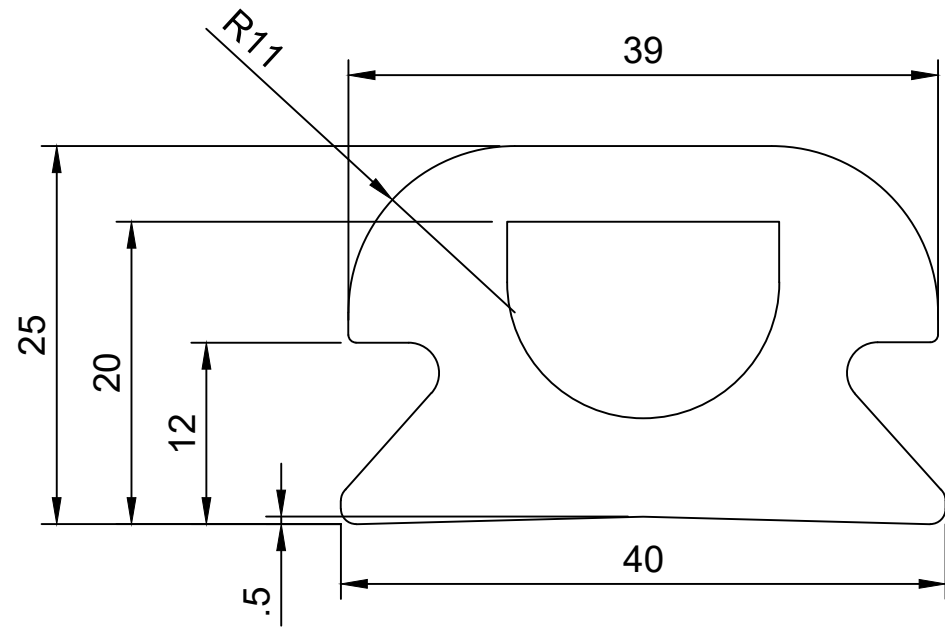
NE Isometric View



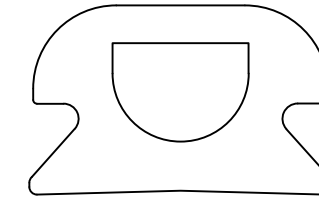
	Part Number				Created By		Cross Sectional Area (mm ²)		Nominal Dimension (mm)		Tolerance, ± (mm)
	204832				David Stirling		169		Greater Than	Less Than or Equal to	
	Description				Date Drawn		Material		0.00		0.40
	Buffer Insert				16/05/2020		EPDM		1.50		0.50
	Revision				Approved By		Hardness (Shore A)		2.50		0.70
	Date of Issue				Date of Approval		70		4.00		0.80
	Sheet Scale				Projection		Colour		6.30		1.00
	Sheet Size				3rd Agl.		Black		10.00		1.30
	Sheet				Weight (g/m)		213		16.00		1.60
	A				24/01/2022		213		25.00		2.00
1:1				A3		213		40.00		2.50	
A3				1/1		213		63.00		3.20	
1/1				213		213		100.00		3.20%	



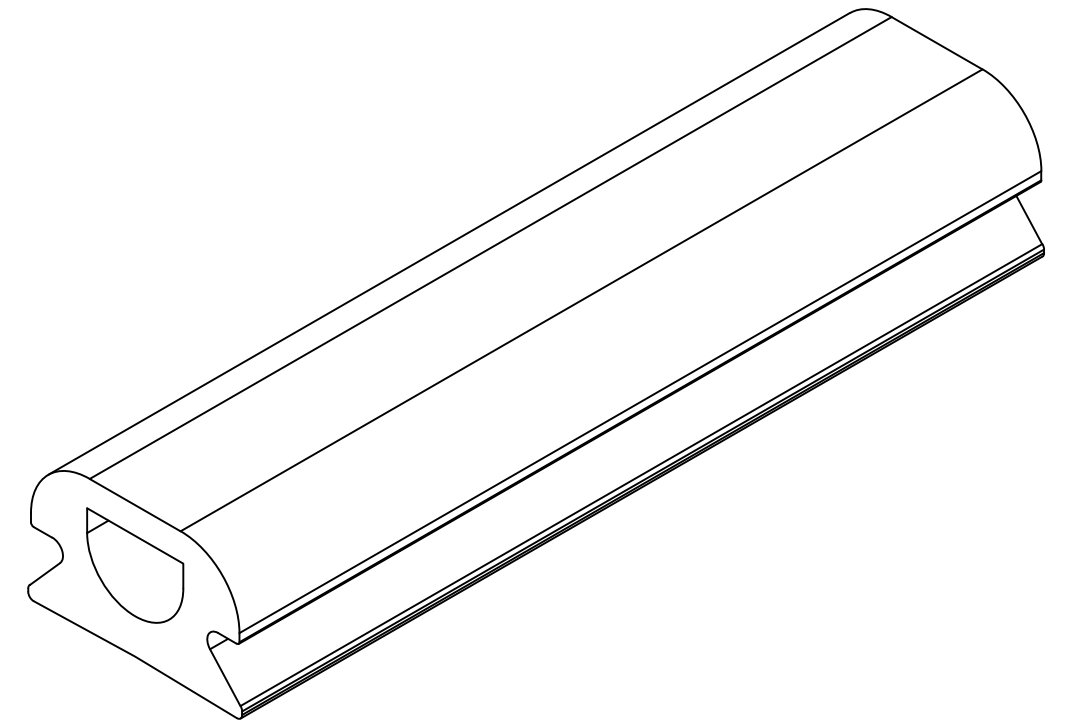
Part Number 205204		Created By David Stirling		Cross Sectional Area (mm ²) 286		Nominal Dimension (mm)		Tolerance, ± (mm)
		Date Drawn 19/05/2020		Material EPDM		Greater Than	Less Than or Equal to	
Description Buffer Insert		Approved By		Hardness (Shore A) 70		0.00	1.50	0.40
		Date of Approval		Colour Black		1.50	2.50	0.50
Revision A	Date of Issue 24/01/2022	Sheet Scale 1:1	Sheet Size A3	Sheet 1/1	Projection 3rd Agl.	Weight (g/m)		2.50
						25.00	40.00	2.00
						40.00	63.00	2.50
						63.00	100.00	3.20
						100.00		3.20%




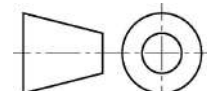
Profile View Scale: 2:1

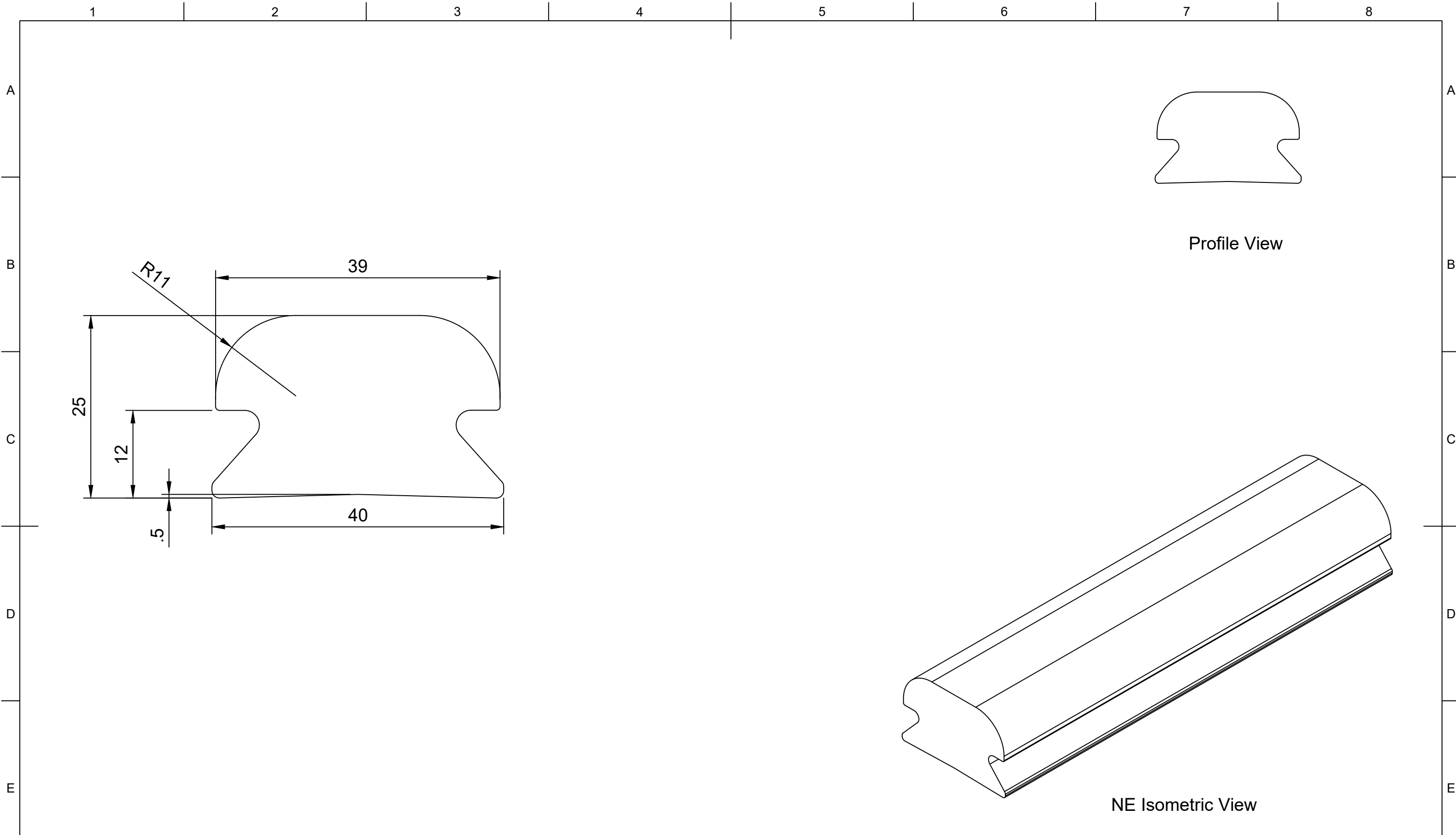



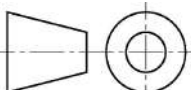
Profile View

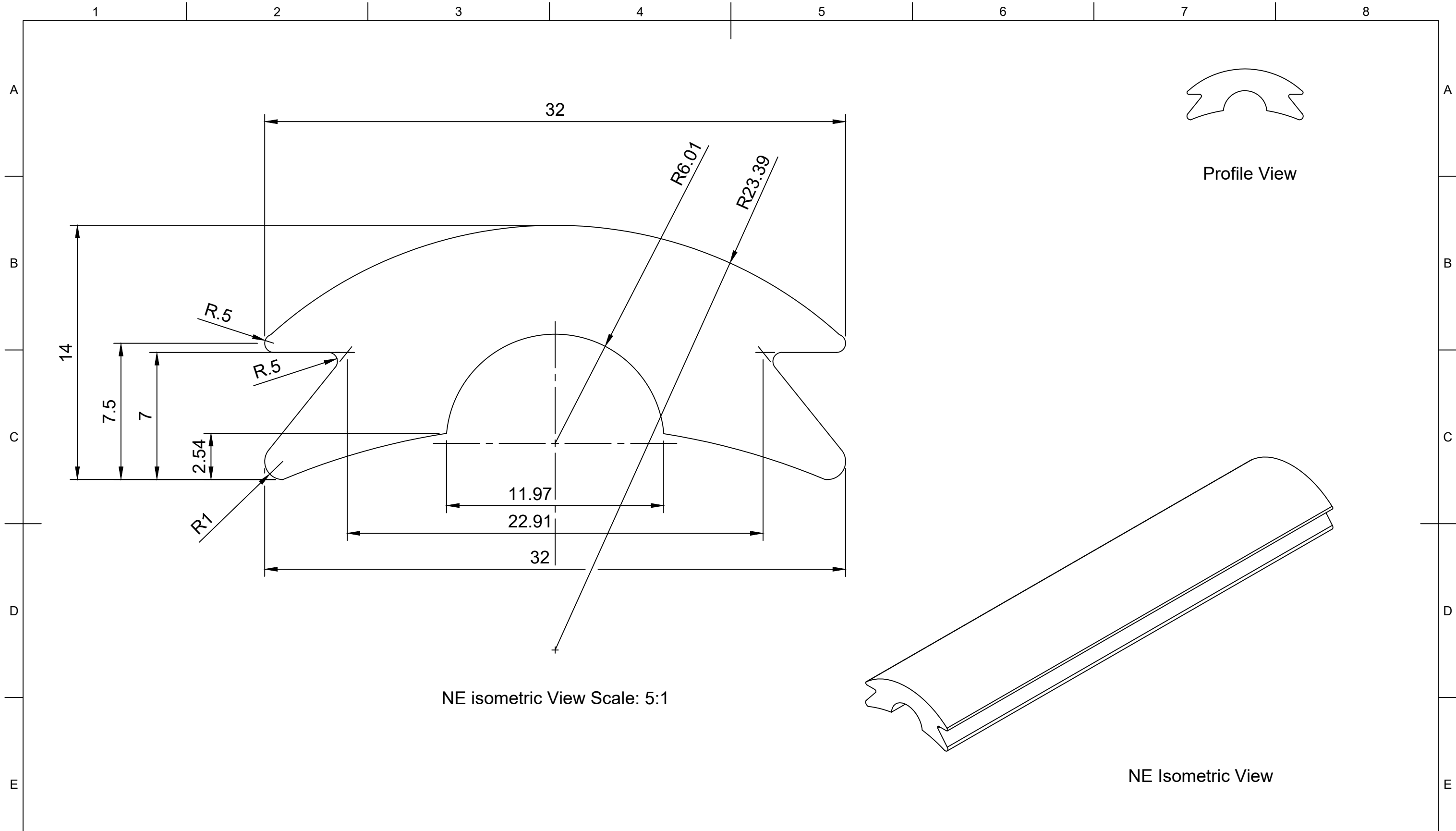


NE Isometric View

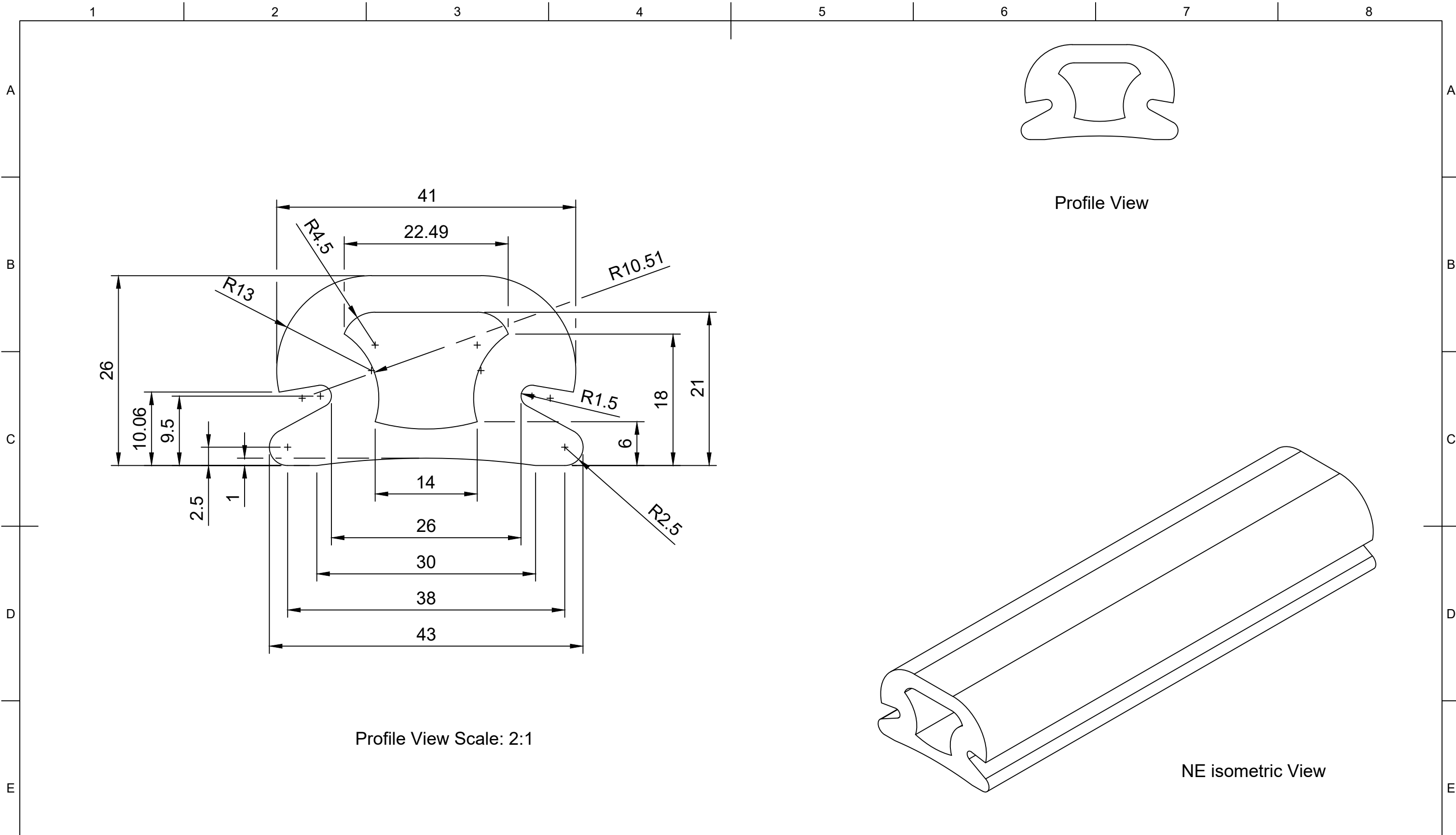
	Part Number				Created By		Cross Sectional Area (mm²)		Nominal Dimension (mm)		Tolerance, ± (mm)
	206173				David Stirling		644		Greater Than	Less Than or Equal to	
					Date Drawn		Material		0.00	1.50	0.40
					04/05/2020		EPDM		1.50	2.50	0.50
	Description				Approved By		Hardness (Shore A)		2.50	4.00	0.70
	Buffer Insert						70		4.00	6.30	0.80
					Date of Approval		Colour		6.30	10.00	1.00
							Black		10.00	16.00	1.30
					Projection		Weight (g/m)		16.00	25.00	1.60
					3rd Agl. 		811		25.00	40.00	2.00
Revision	Date of Issue	Sheet Scale	Sheet Size	Sheet					40.00	63.00	2.50
A	21/01/2022	1:1	A3	1/1					63.00	100.00	3.20
										100.00	3.20%



	Part Number				Created By		Cross Sectional Area (mm²)		Nominal Dimension (mm)		Tolerance, ± (mm)
	208562				David Stirling		843		Greater Than	Less Than or Equal to	
	Description				Date Drawn		Material		0.00		0.40
	Buffer Insert				04/05/2020		EPDM		1.50		0.50
	Revision				Approved By		Hardness (Shore A)		2.50		0.70
	A				Date of Approval		70		4.00		0.80
	Date of Issue				Projection		Colour		6.30		1.00
	21/10/2022				3rd Agl. 		Black		10.00		1.30
	Sheet Scale				Weight (kg/m)		1.062		16.00		1.60
	1:1								25.00		2.00
Sheet Size								40.00		2.50	
A3								63.00		3.20	
Sheet								100.00		3.20%	
1/1											



	Part Number				Created By		Cross Sectional Area (mm²)		Nominal Dimension (mm)		Tolerance, ± (mm)
	209129				David Stirling		252		Greater Than	Less Than or Equal to	
	Description				Date Drawn		Material		0.00		0.40
					17/05/2020		EPDM		1.50		0.50
	Buffer Insert				Approved By		Hardness (Shore A)		2.50		0.70
					Date of Approval		70		4.00		0.80
									6.30		1.00
	Revision A Date of Issue 24/01/2022 Sheet Scale 1:1 Sheet Size A3 Sheet 1/1				Projection		Colour		10.00		1.30
					3rd Agl.		Black		16.00		1.60
							318		25.00		2.00
40.00									2.50		
63.00		3.20									
100.00		3.20%									

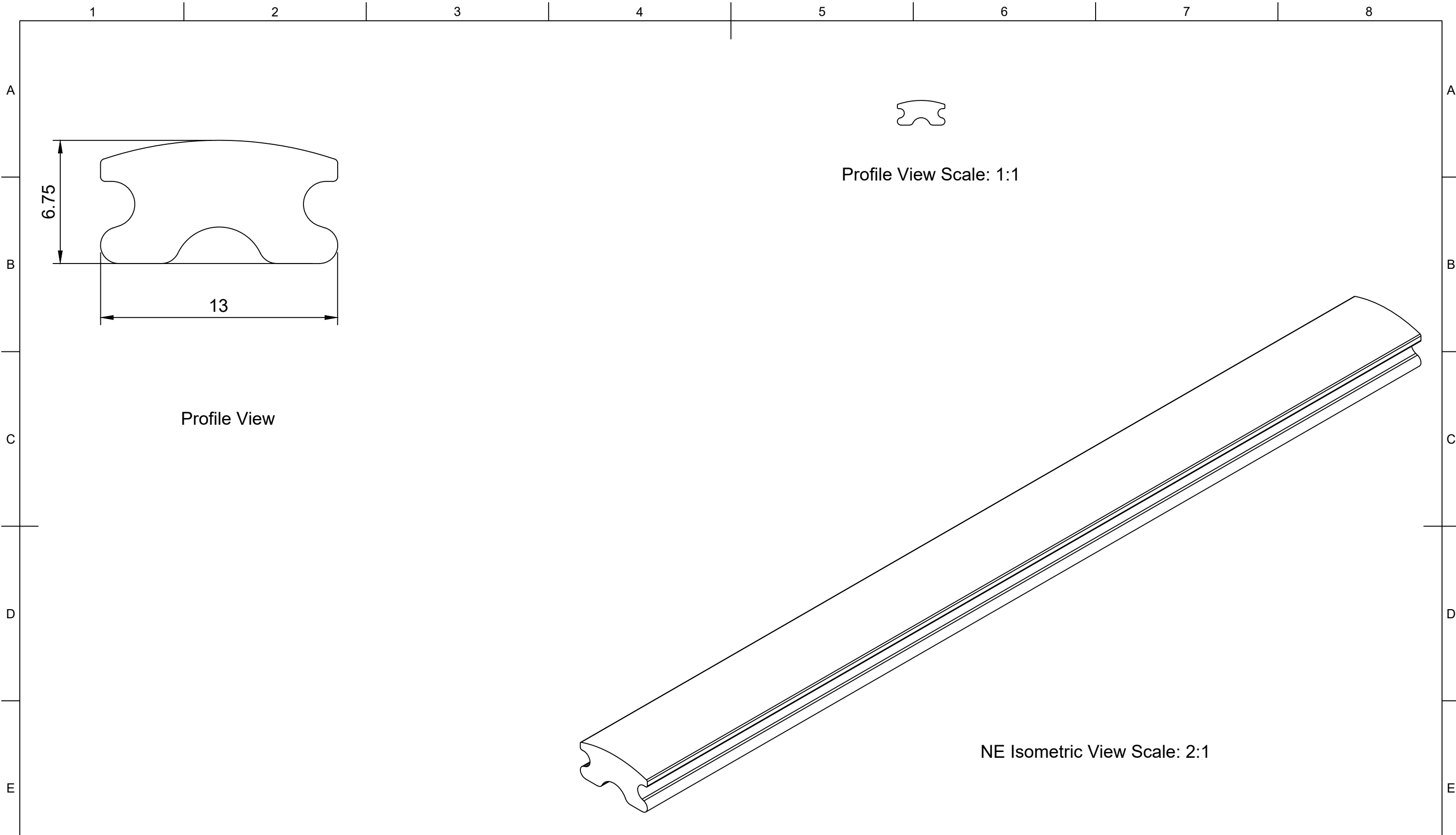


Profile View Scale: 2:1

NE isometric View



	Part Number				Created By		Cross Sectional Area (mm ²)		Nominal Dimension (mm)		Tolerance, ± (mm)
	209272				David Stirling		667		Greater Than	Less Than or Equal to	
	Description				Date Drawn		Material		0.00		0.40
	Buffer Insert				19/05/2020		EPDM		1.50		0.50
	Revision				Approved By		Hardness (Shore A)		2.50		0.70
	A				Date of Approval		70		4.00		0.80
	Date of Issue				Date of Approval		Colour		6.30		1.00
	24/01/2022				Projection		Black		10.00		1.30
	Sheet Scale				3rd Agl.		Weight (g/m)		16.00		1.60
	1:1						840		25.00		2.00
Sheet Size								40.00		2.50	
A3								63.00		3.20	
Sheet								100.00		3.20%	
1/1											



Part Number		209576			Created By	David Stirling	Cross Sectional Area (mm ²)	67		Nominal Dimension (mm)		Tolerance, ± (mm)									
					Date Drawn	05/04/2020	Material	EPDM	Greater Than	Less Than or Equal to	0.00		1.50	0.40							
Description		Buffer Section - Solid			Approved By		Hardness (Shore A)	70		2.50	4.00	0.70									
					Date of Approval		Colour	Black	4.00	6.30	0.80	6.30	10.00	1.00							
Revision	Date of Issue	Sheet Scale	Sheet Size	Sheet	Projection	3rd Agl.	Weight (g/m)	85		10.00	16.00	1.30									
A	13/01/2022	5:1	A3	1/1						16.00	25.00	1.60	25.00	40.00	2.00						
<table border="1"> <tr> <td>40.00</td> <td>63.00</td> <td>2.50</td> </tr> <tr> <td>63.00</td> <td>100.00</td> <td>3.20</td> </tr> <tr> <td>100.00</td> <td></td> <td>3.20%</td> </tr> </table>													40.00	63.00	2.50	63.00	100.00	3.20	100.00		3.20%
40.00	63.00	2.50																			
63.00	100.00	3.20																			
100.00		3.20%																			

