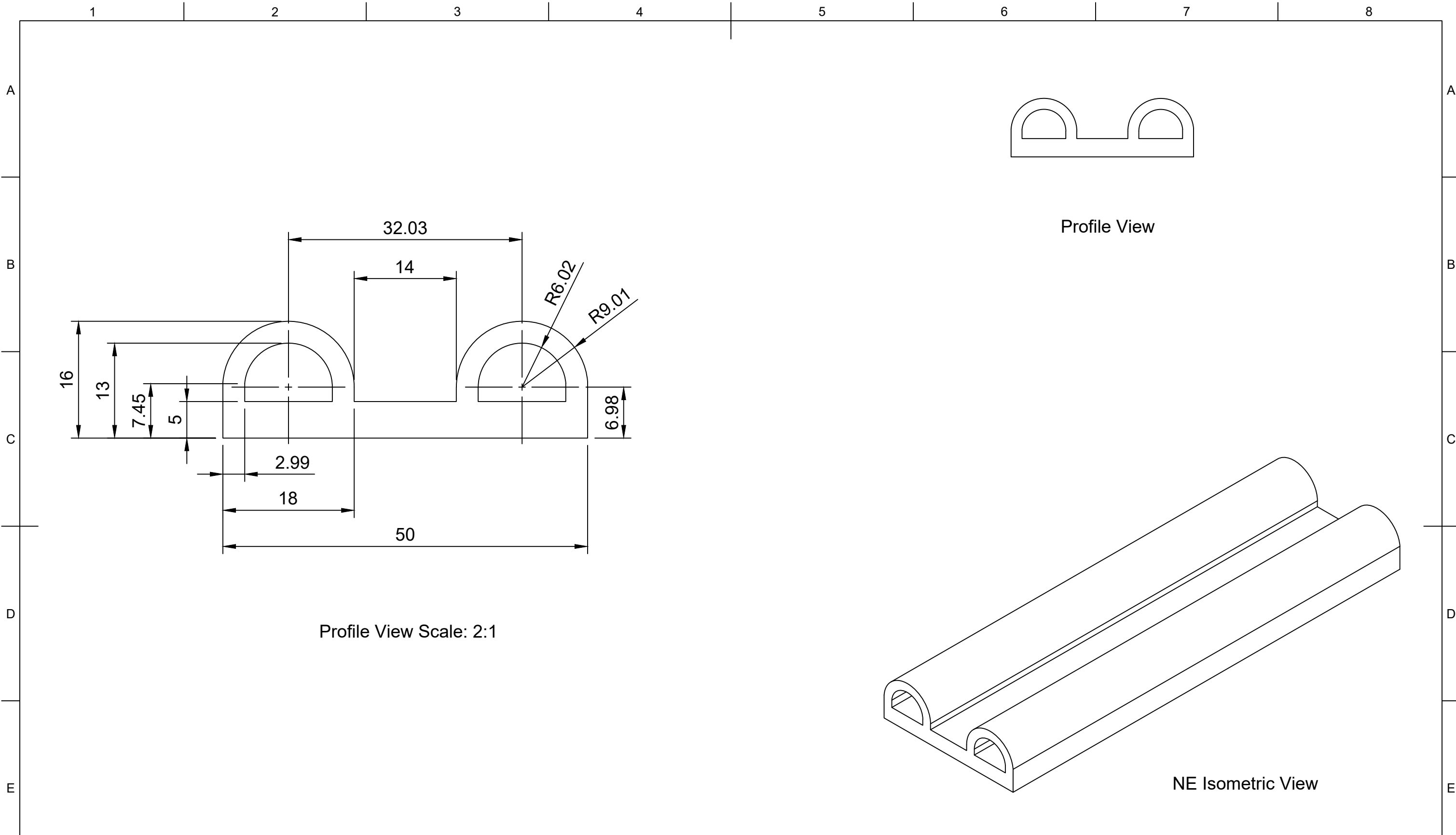



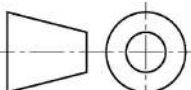


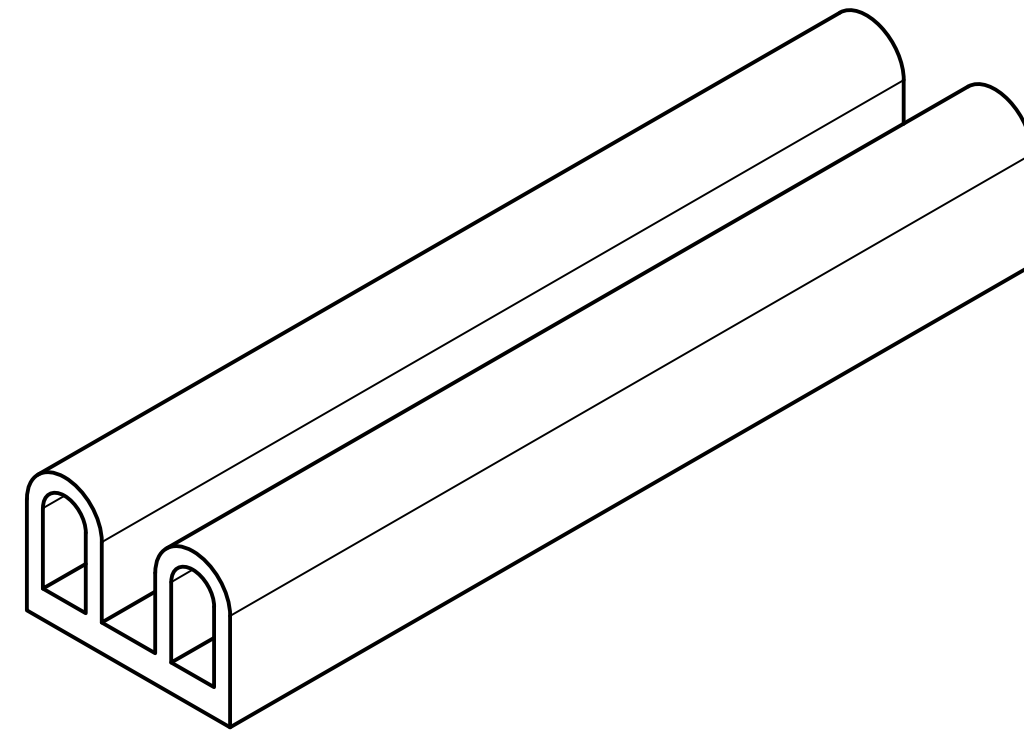
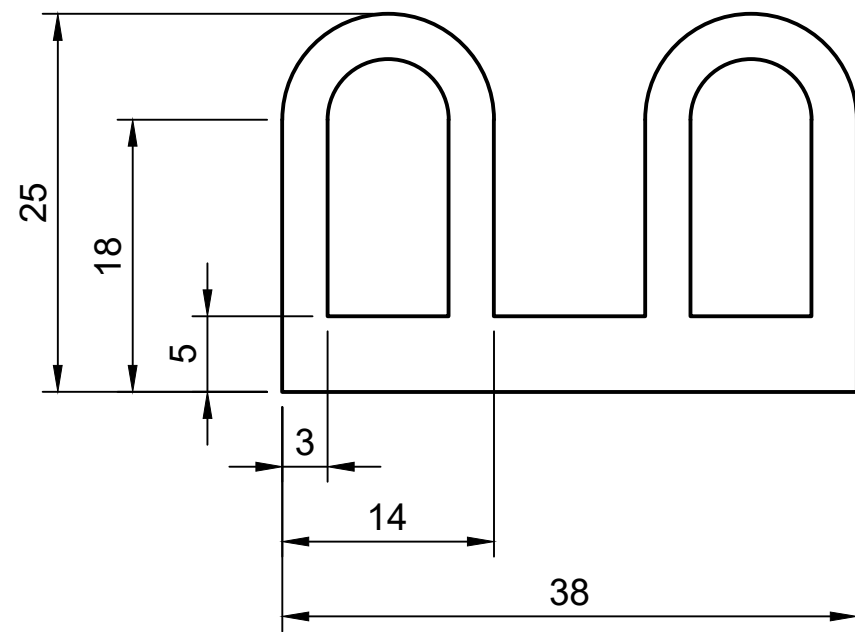
B Sections



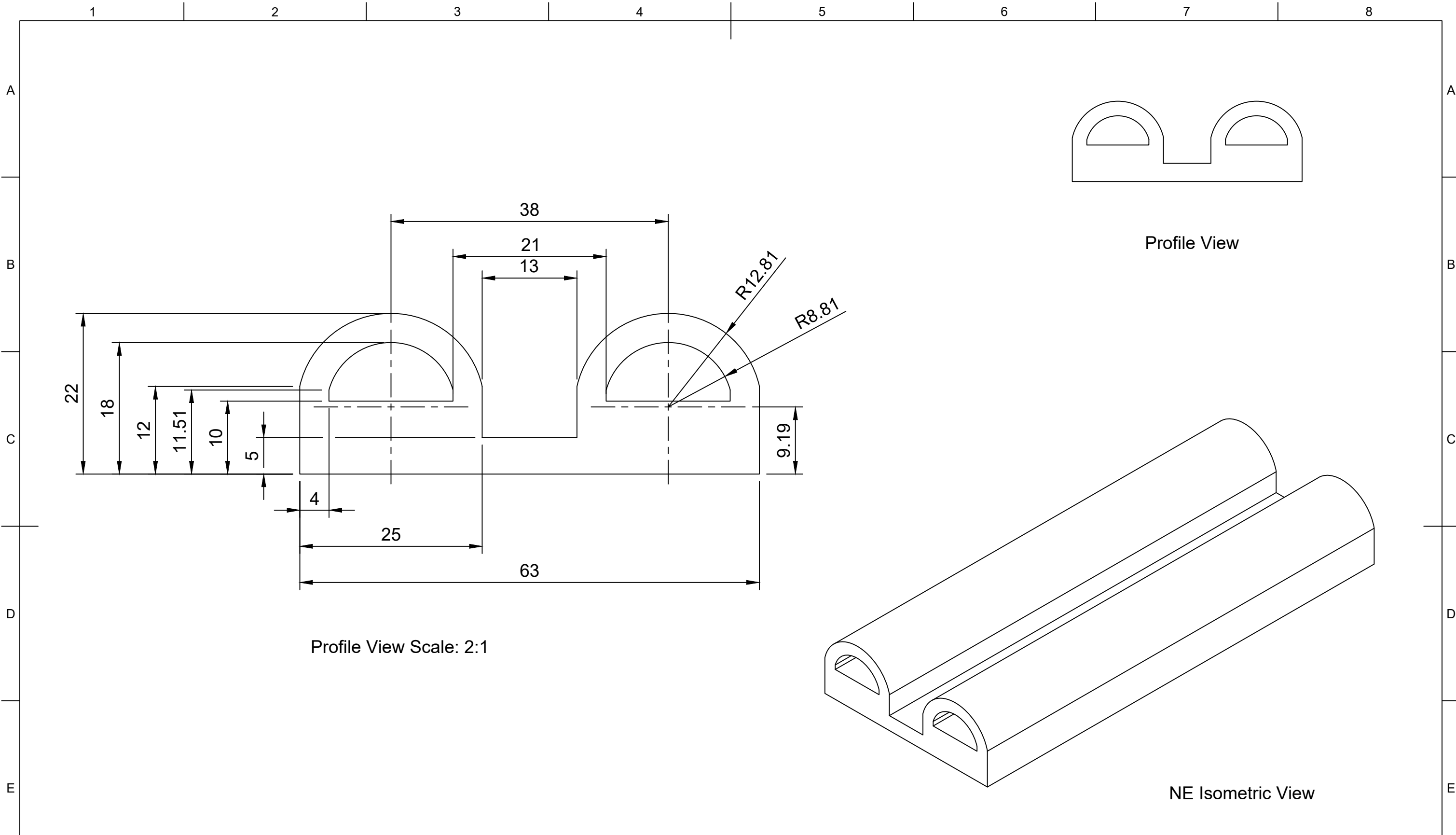
Profile View Scale: 2:1

NE Isometric View

	Part Number				Created By		Cross Sectional Area (mm ²)		Nominal Dimension (mm)		Tolerance, ± (mm)
	202552				David Stirling		415		Greater Than	Less Than or Equal to	
	Description				Date Drawn		Material		0.00		0.40
	B Section - D Centres				14/05/2020		EPDM		1.50		0.50
	Revision				Approved By		Hardness (Shore A)		2.50		0.70
	A				Date of Approval		70		4.00		0.80
	Date of Issue				Date of Approval		Colour		6.30		1.00
	24/01/2022				3rd Agl.		Black		10.00		1.30
	Sheet Scale				Projection		Weight (g/m)		16.00		1.60
	1:1				3rd Agl. 		523		25.00		2.00
Sheet Size								40.00		2.50	
A3								63.00		3.20	
Sheet								100.00		3.20%	
1/1											




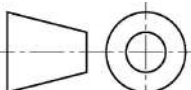
Part Number	206047				Created By	David Stirling	Cross Sectional Area (mm ²)	450		Nominal Dimension (mm)		Tolerance, ± (mm)
					Date Drawn	18/10/2021	Material	EPDM	Greater Than	Less Than or Equal to		
Description	B Sections - D Centres				Approved By	Katie Adams	Hardness (Shore A)	70		0.00	1.50	0.40
					Date of Approval	01/12/2021	Colour	Black	1.50	2.50	0.50	
					2.50	4.00	0.70					
					4.00	6.30	0.80					
					6.30	10.00	1.00					
Revision	Date of Issue	Sheet Scale	Sheet Size	Sheet	Projection		Weight (g/m)	567		10.00	16.00	1.30
A	24/01/2022	2:1	A3	1/1	3rd Agl.		25.00	40.00	2.00			
16.00	25.00	1.60										
40.00	63.00	2.50										
63.00	100.00	3.20										
100.00	—	3.20%										

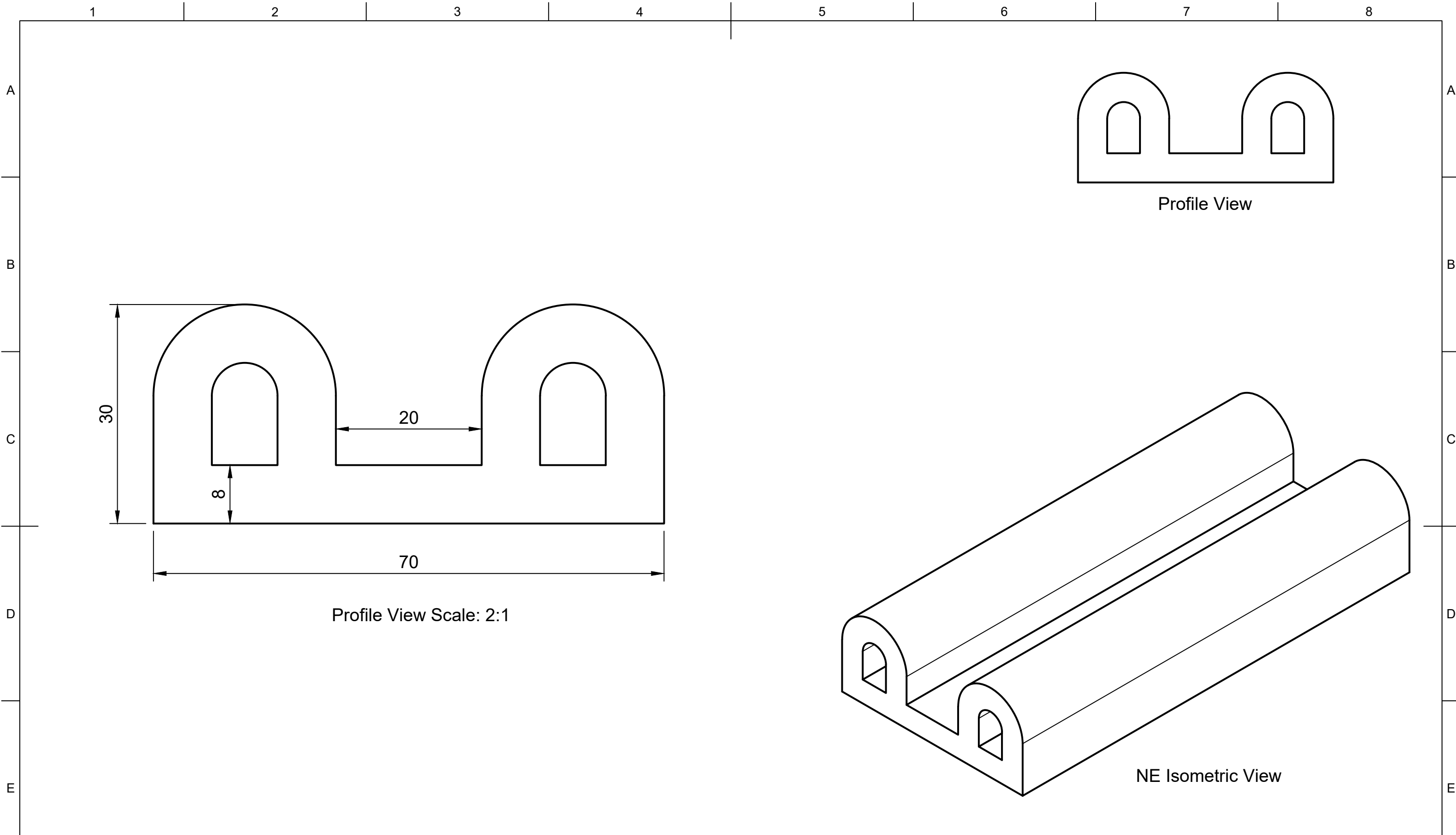


Profile View Scale: 2:1

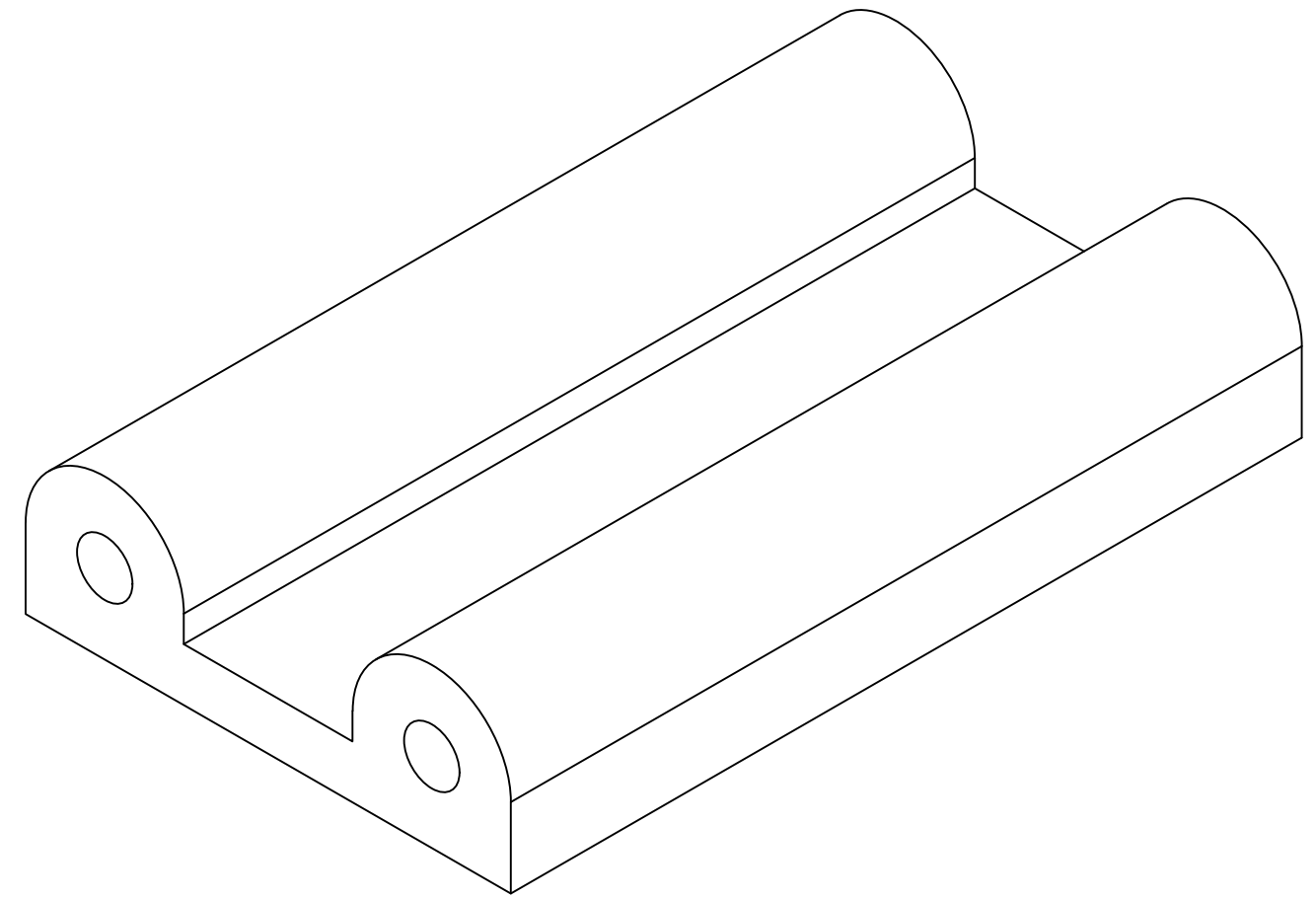
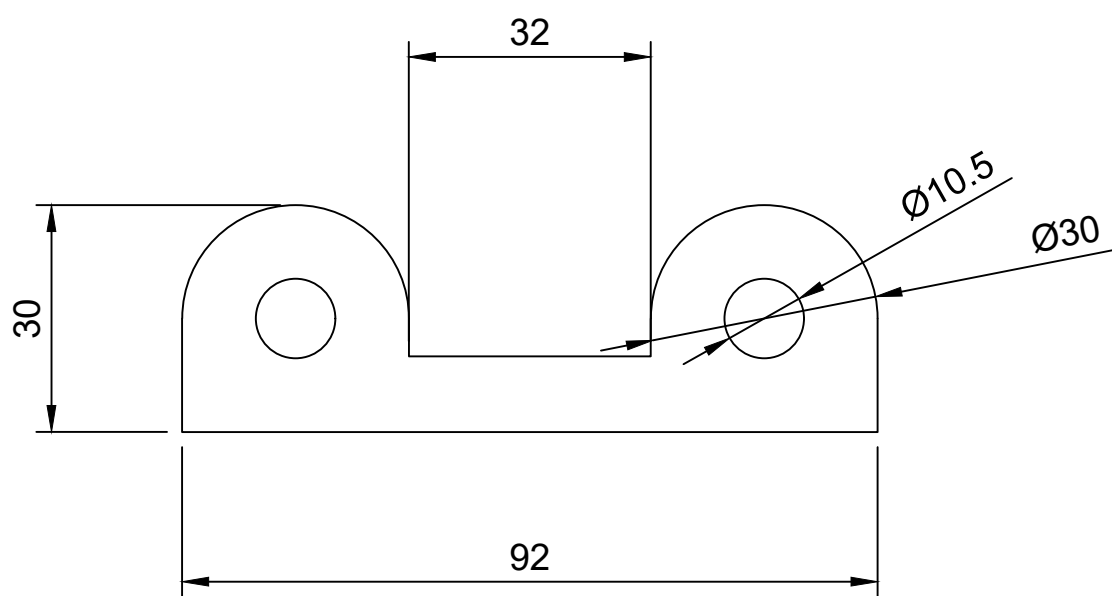
Profile View

NE Isometric View

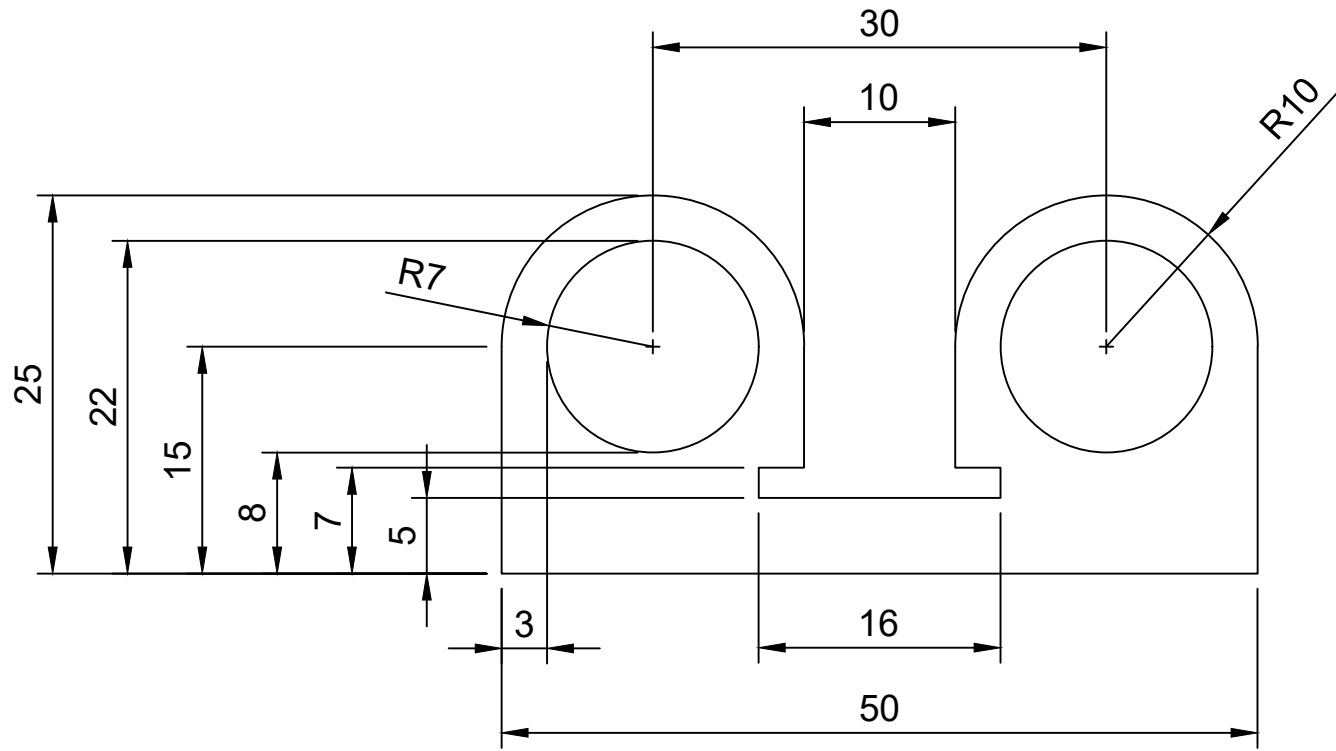
	Part Number				Created By		Cross Sectional Area (mm ²)		Nominal Dimension (mm)		Tolerance, ± (mm)
	209168				David Stirling		823		Greater Than	Less Than or Equal to	
	Description				Date Drawn		Material		0.00		0.40
	B Section - D Centres				14/05/2020		EPDM		1.50		0.50
	Revision				Approved By		Hardness (Shore A)		2.50		0.70
	A				Date of Approval		70		4.00		0.80
	Date of Issue				Date of Approval		Colour		6.30		1.00
	24/01/2022				3rd Agl.		Black		10.00		1.30
	Sheet Scale				Projection		Weight (kg/m)		16.00		1.60
	1:1				3rd Agl. 		1.037		25.00		2.00
Sheet Size								40.00		2.50	
A3								63.00		3.20	
Sheet								100.00		3.20%	
1/1											



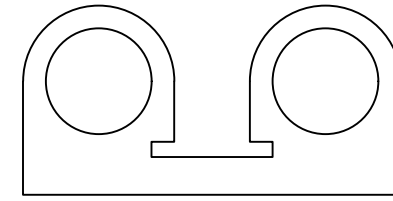
Part Number	203375				Created By	Oliver Ryan	Cross Sectional Area (mm ²)	1291		Nominal Dimension (mm)		Tolerance, ± (mm)
	Description				Date Drawn	09/05/2022	Material	EPDM		Greater Than	Less Than or Equal to	
Revision	Date of Issue	Sheet Scale	Sheet Size	Sheet	Projection	Approved By	Hardness (Shore A)	Colour	B Section - D Centres			
									A	09/05/2022	1:1	A3
					Weight (kg/m)	Date of Approval		08/06/2022		10.00	16.00	1.30
						1.627		16.00	25.00	1.60		
							25.00	40.00	2.00			
							40.00	63.00	2.50			
							63.00	100.00	3.20			
							100.00		3.20%			



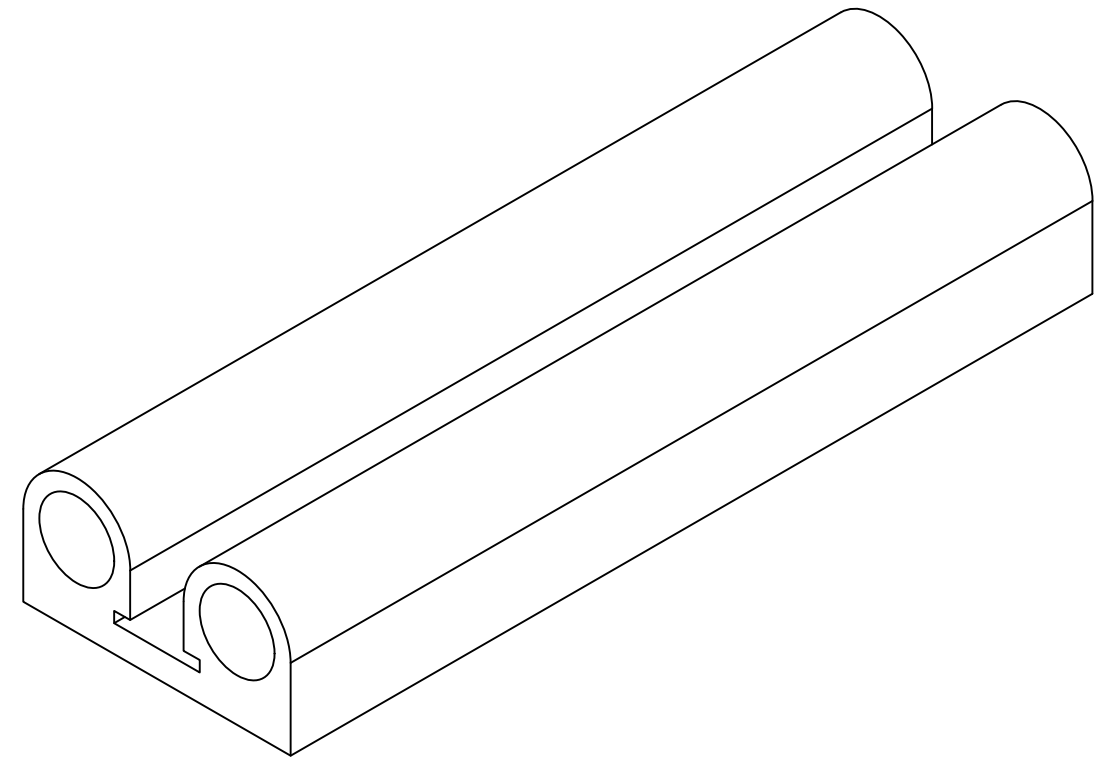
Part Number	207948				Created By	David Stirling	Cross Sectional Area (mm ²)	1754		Nominal Dimension (mm)		Tolerance, ± (mm)
					Date Drawn	01/10/2020	Material	EPDM		Greater Than	Less Than or Equal to	
Description	B Section - Round Centres				Approved By		Hardness (Shore A)	70		0.00	1.50	0.40
					Date of Approval		Colour	Black		1.50	2.50	0.50
Revision	Date of Issue	Sheet Scale	Sheet Size	Sheet	Projection	3rd Agl.	Weight (kg/m)	2.210		2.50	4.00	0.70
A	24/01/2022	1:1	A3	1/1							4.00	6.30
										6.30	10.00	1.00
										10.00	16.00	1.30
										16.00	25.00	1.60
										25.00	40.00	2.00
										40.00	63.00	2.50
										63.00	100.00	3.20
										100.00		3.20%



profile View Scale: 2:1



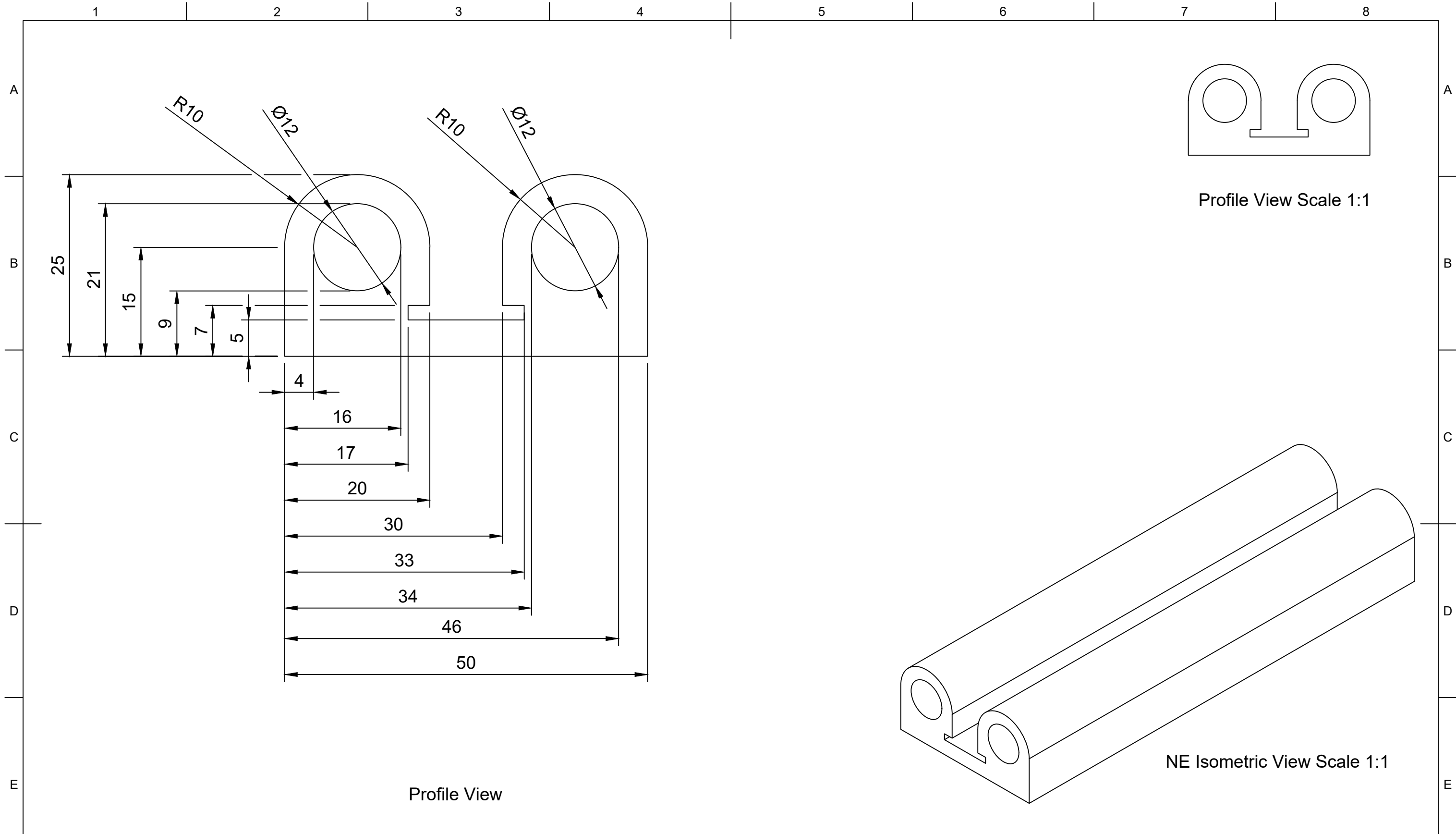
Profile View


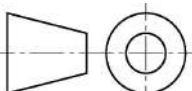


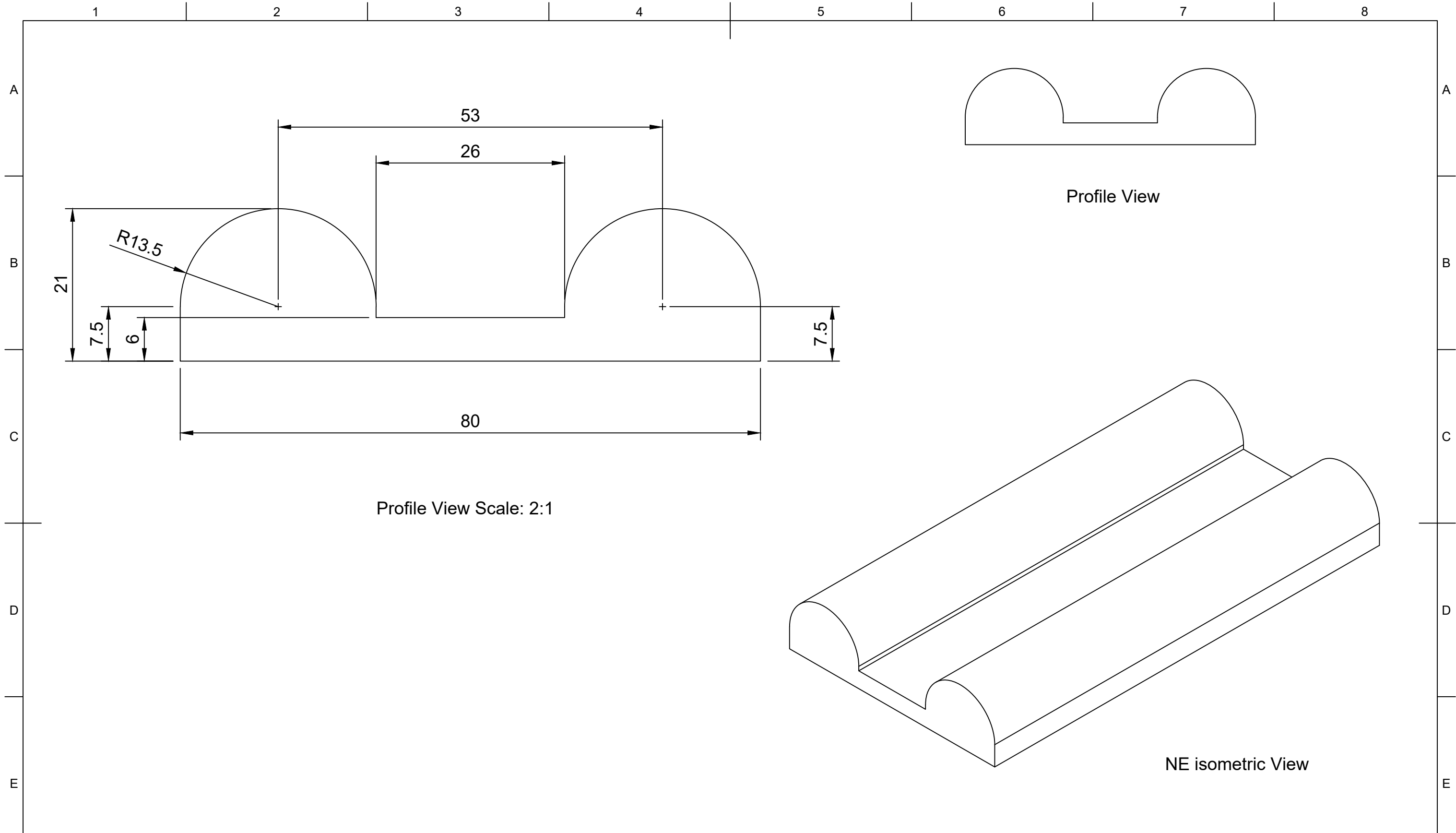
NE Isometric View



Part Number	201578				Created By	David Stirling	Cross Sectional Area (mm ²)	644		Nominal Dimension (mm)		Tolerance, ± (mm)
					Date Drawn	13/05/2020	Material	EPDM	Greater Than	Less Than or Equal to	0.00	
Description	B Section (With Strap) - Round Centres				Approved By		Hardness (Shore A)	70		1.50	2.50	0.50
					Date of Approval		Colour	Black		2.50	4.00	0.70
					Weight (g/m)	811		4.00	6.30	0.80		
					25.00	40.00	2.00					
					40.00	63.00	2.50					
Revision	Date of Issue	Sheet Scale	Sheet Size	Sheet	Projection	3rd Agl.	63.00	100.00	3.20	100.00	3.20%	
A	24/01/2022	1:1	A3	1/1								


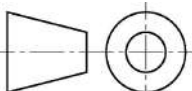


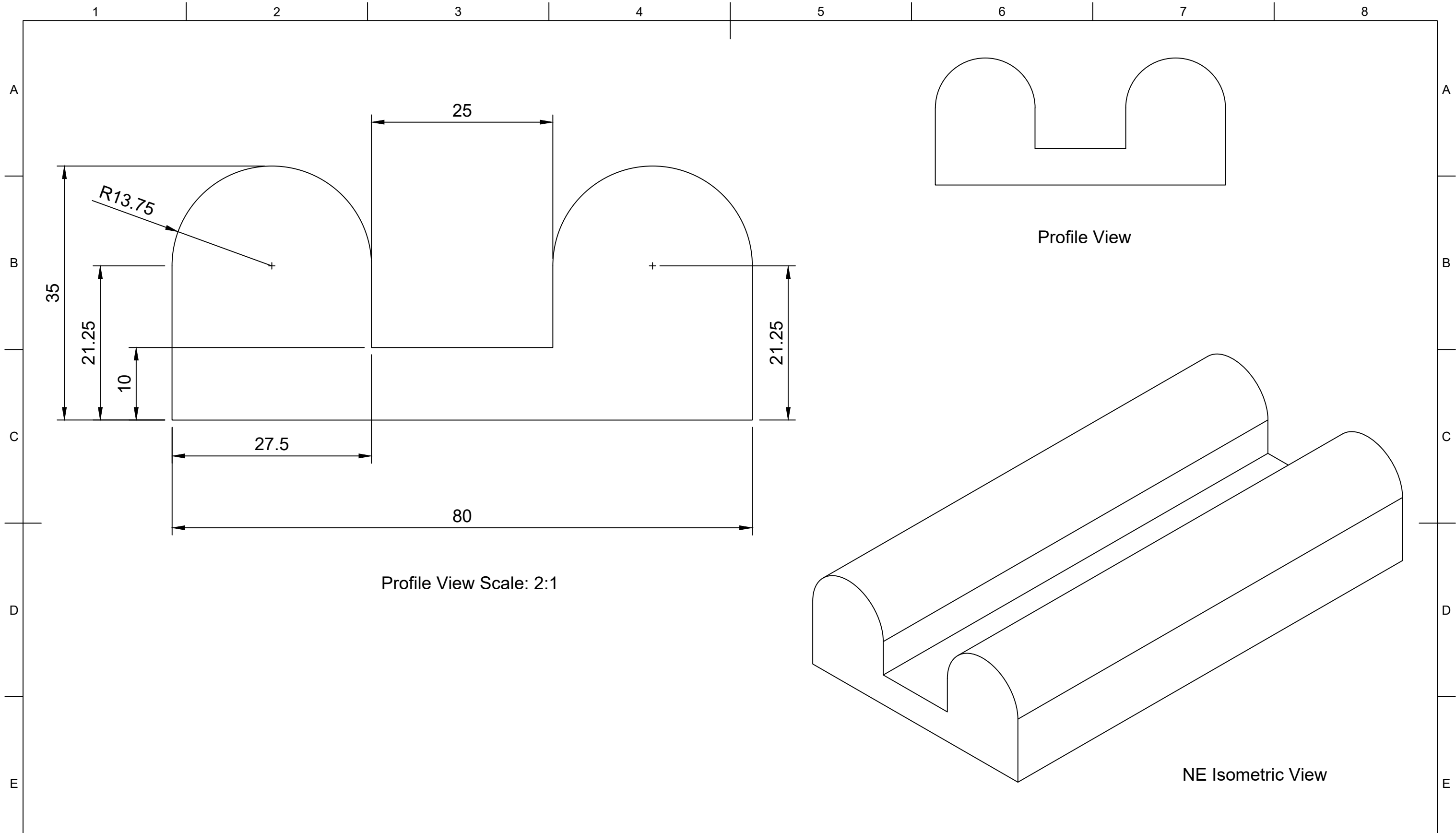
	Part Number				Created By		Cross Sectional Area (mm²)		Nominal Dimension (mm)		Tolerance, ± (mm)
	202438				David Stirling		726		Greater Than	Less Than or Equal to	
					Date Drawn		Material		0.00	1.50	0.40
					29/10/2020		EPDM		1.50	2.50	0.50
	Description				Approved By		Hardness (Shore A)		2.50	4.00	0.70
	B Section (With Strap) - Round Centres						70		4.00	6.30	0.80
					Date of Approval		Colour		6.30	10.00	1.00
							Black		10.00	16.00	1.30
					Projection		Weight (g/m)		16.00	25.00	1.60
					3rd Agl. 		915		25.00	40.00	2.00
Revision	Date of Issue	Sheet Scale	Sheet Size	Sheet					40.00	63.00	2.50
A	24/01/2022	2:1	A3	1/1					63.00	100.00	3.20
								100.00		3.20%	



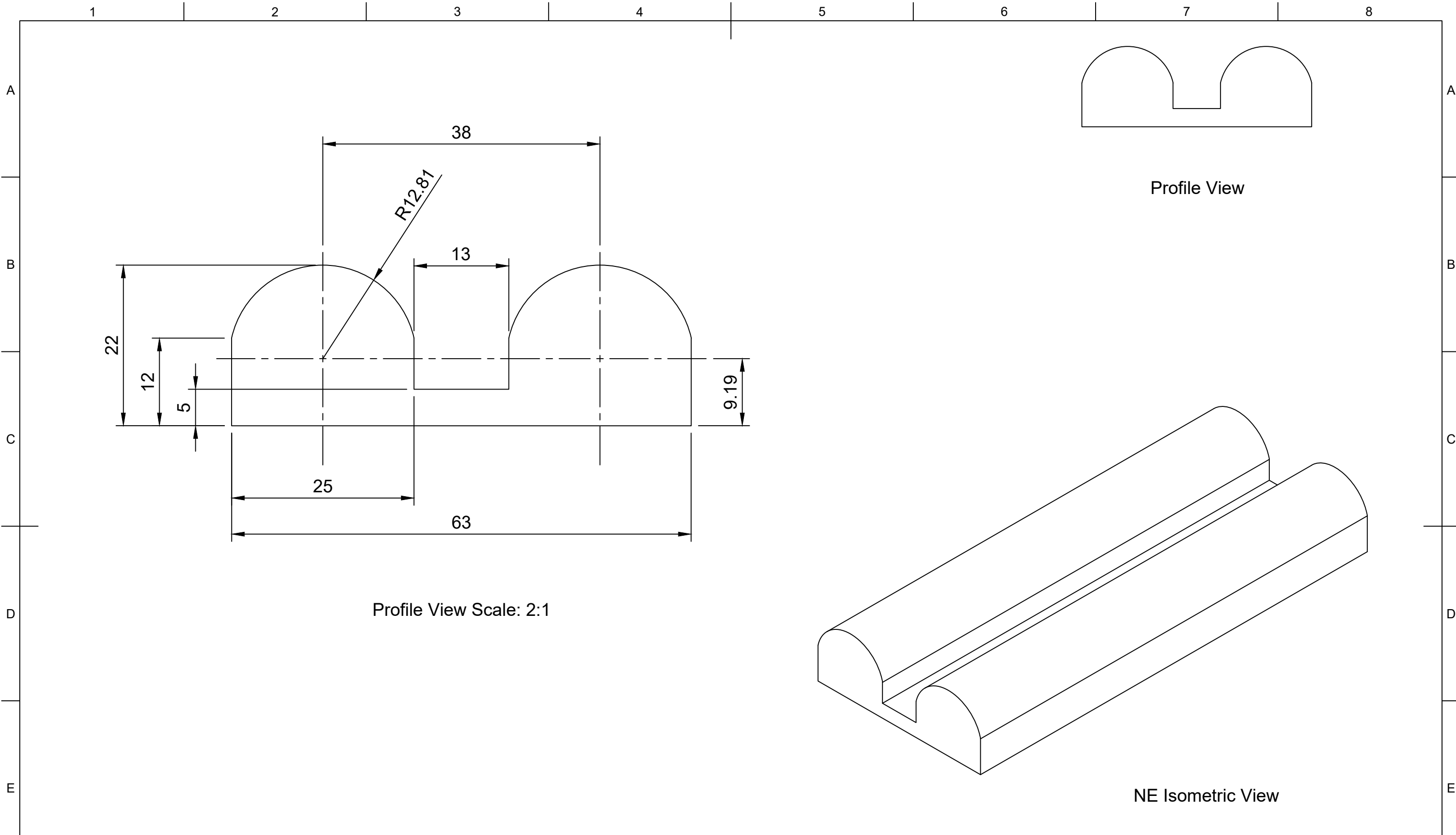
Profile View Scale: 2:1

NE isometric View

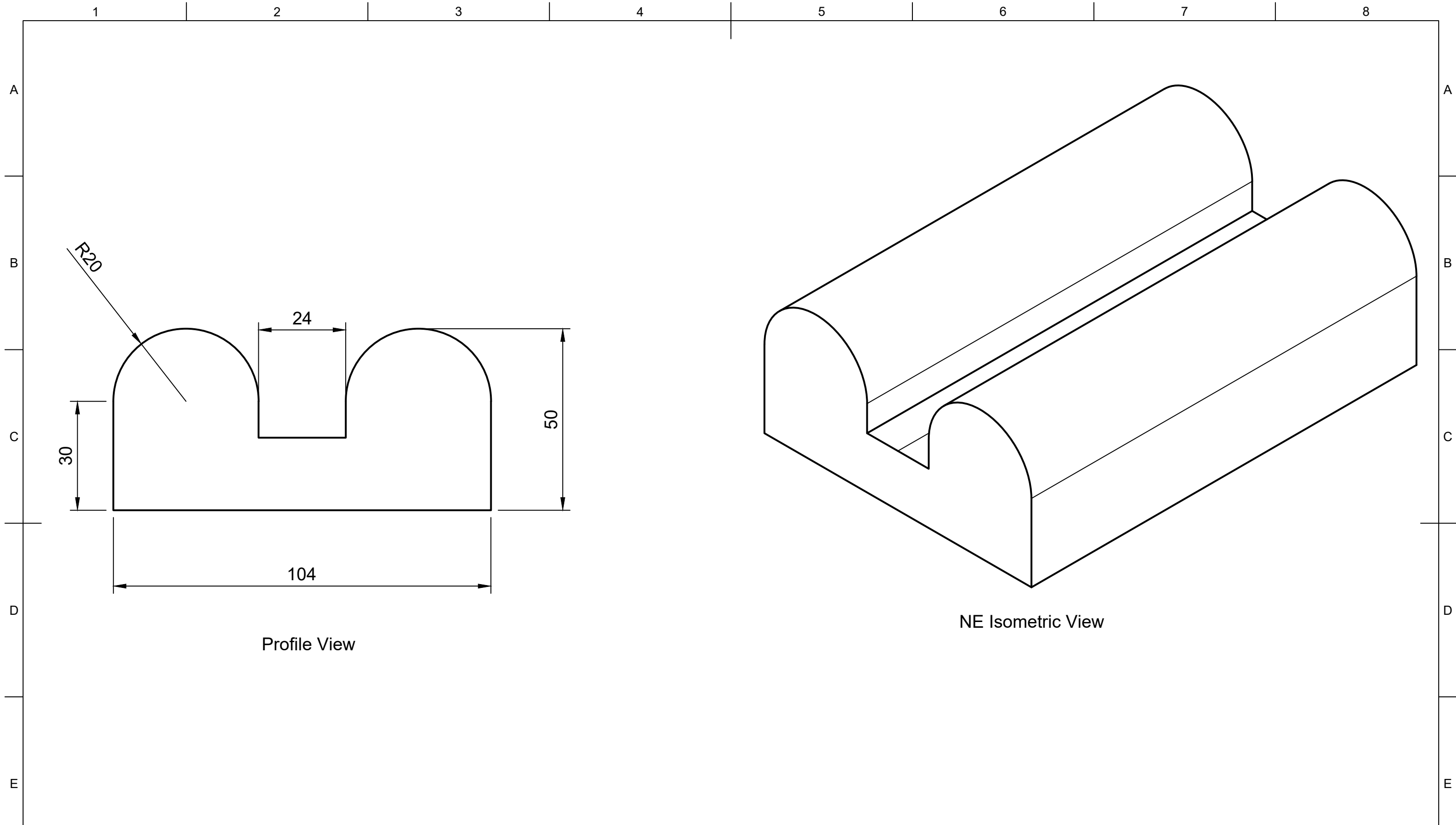
	Part Number				Created By		Cross Sectional Area (mm²)		Nominal Dimension (mm)		Tolerance, ± (mm)
	202819				David Stirling		1134		Greater Than	Less Than or Equal to	
					Date Drawn		Material		0.00	1.50	0.40
					13/05/2020		EPDM		1.50	2.50	0.50
	Description				Approved By		Hardness (Shore A)		2.50	4.00	0.70
	B Section - Solid						70		4.00	6.30	0.80
					Date of Approval		Colour		6.30	10.00	1.00
							Black		10.00	16.00	1.30
							Weight (kg/m)		16.00	25.00	1.60
							1.429		25.00	40.00	2.00
Revision	Date of Issue	Sheet Scale	Sheet Size	Sheet	Projection			40.00	63.00	2.50	
A	24/01/2022	1:1	A3	1/1	3rd Agl. 			63.00	100.00	3.20	
								100.00		3.20%	

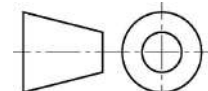


Part Number		205526			Created By	David Stirling	Cross Sectional Area (mm ²)	2013		Nominal Dimension (mm)		Tolerance, ± (mm)
					Date Drawn	13/05/2020	Material	EPDM	Greater Than	Less Than or Equal to		
Description		B Section - Solid			Approved By		Hardness (Shore A)	70		0.00	1.50	0.40
					Date of Approval		Colour	Black	1.50	2.50	0.50	
Revision	Date of Issue	Sheet Scale	Sheet Size	Sheet	Projection	3rd Agl.	Weight (kg/m)	2.536		2.50	4.00	0.70
A	24/01/2022	1:1	A3	1/1			25.00	40.00	2.00			
										63.00	100.00	3.20
										100.00		3.20%



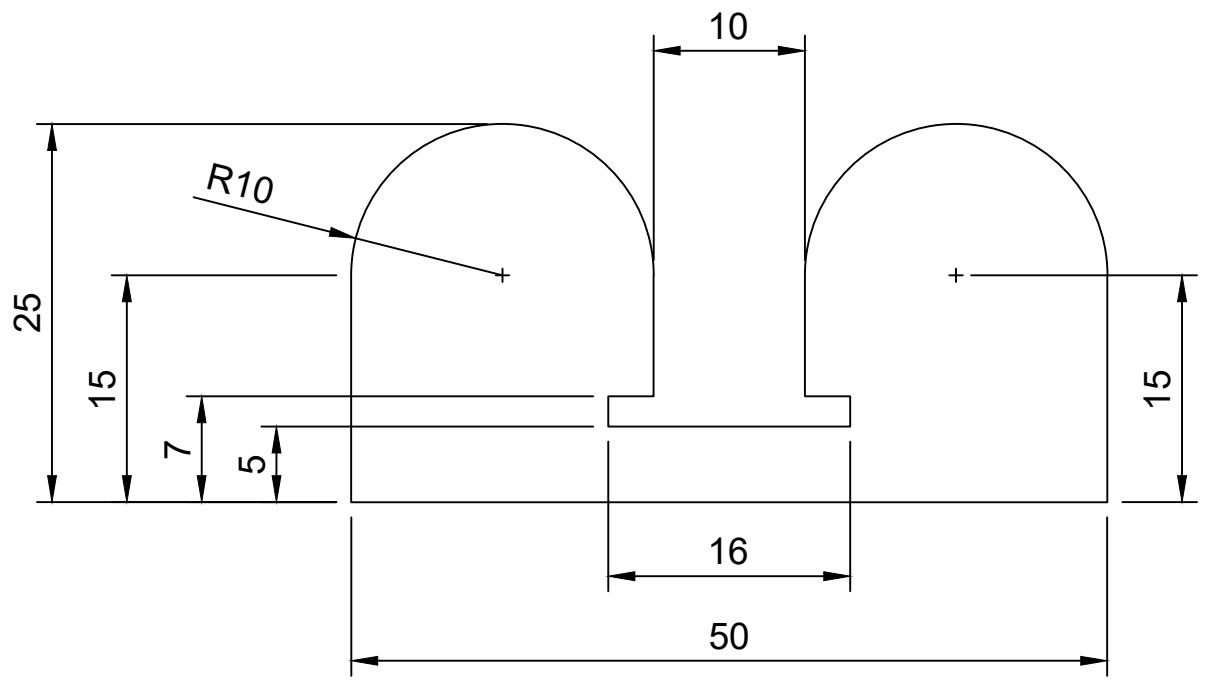
Part Number 207504					Created By David Stirling		Cross Sectional Area (mm ²) 1038		Nominal Dimension (mm)		Tolerance, ± (mm)
					Date Drawn 14/05/2020		Material EPDM		Greater Than	Less Than or Equal to	
Description B Section - Solid					Approved By		Hardness (Shore A) 70		0.00	1.50	0.40
					Date of Approval		Colour Black		1.50	2.50	0.50
Revision A	Date of Issue 24/01/2022	Sheet Scale 1:1	Sheet Size A3	Sheet 1/1	Projection 3rd Agl.	Weight (kg/m) 1.308		2.50	4.00	0.70	
								4.00	6.30	0.80	
								6.30	10.00	1.00	
								10.00	16.00	1.30	
								16.00	25.00	1.60	
								25.00	40.00	2.00	
								40.00	63.00	2.50	
								63.00	100.00	3.20	
								100.00		3.20%	



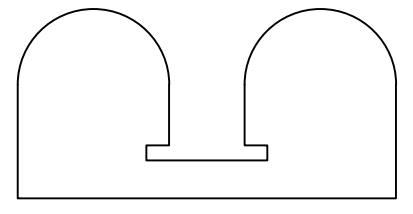
Part Number 204320					Created By Isaac Erskine		Cross Sectional Area (mm ²) 4137		Nominal Dimension (mm)		Tolerance, ± (mm)
					Date Drawn 30/06/2022		Material EPDM		Greater Than	Less Than or Equal to	
Description B Section - Solid					Approved By Isaac Erskine		Hardness (Shore A) 70		0.00	1.50	0.40
					Date of Approval 12/04/2023		Colour Black		1.50	2.50	0.50
					Projection 3rd Agl. 		Weight (kg/m) 5.2		2.50	4.00	0.70
Revision A	Date of Issue 30/06/2022	Sheet Scale 1:1	Sheet Size A3	Sheet 1/1					4.00	6.30	0.80
								6.30	10.00	1.00	
								10.00	16.00	1.30	
								16.00	25.00	1.60	
								25.00	40.00	2.00	
								40.00	63.00	2.50	
								63.00	100.00	3.20	
								100.00		3.20%	

1 2 3 4 5 6 7 8

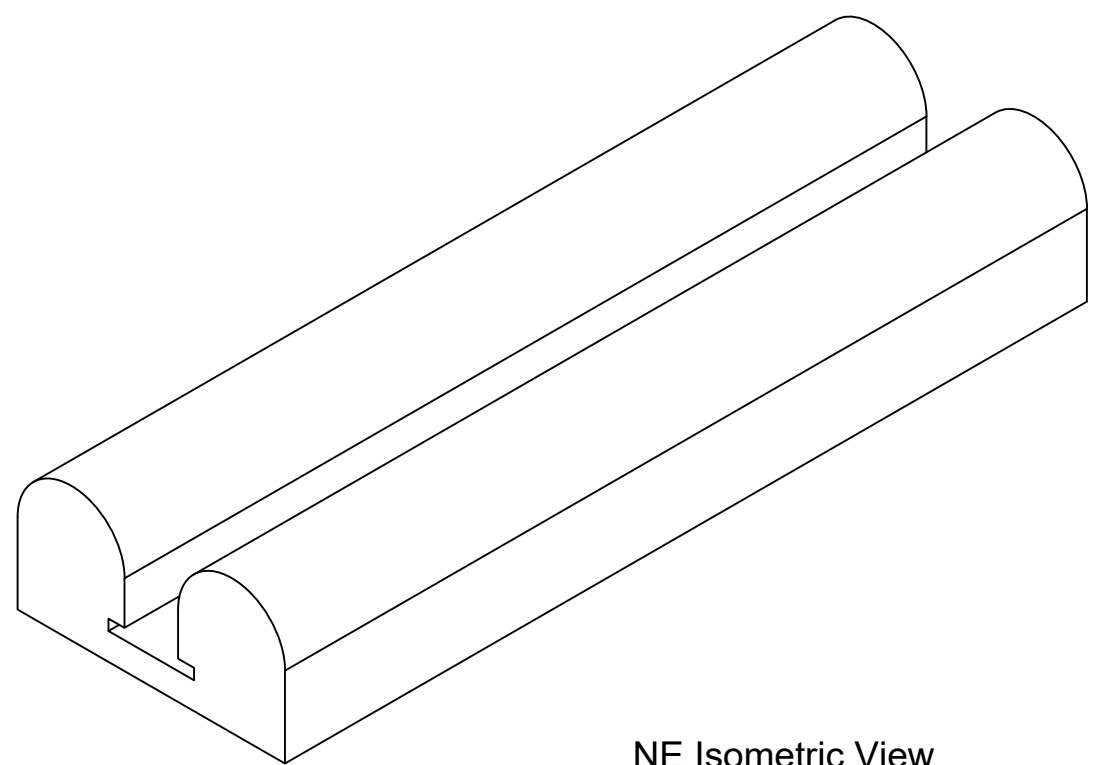
A
B
C
D
E
F



Profile View Scale: 2:1



Profile View

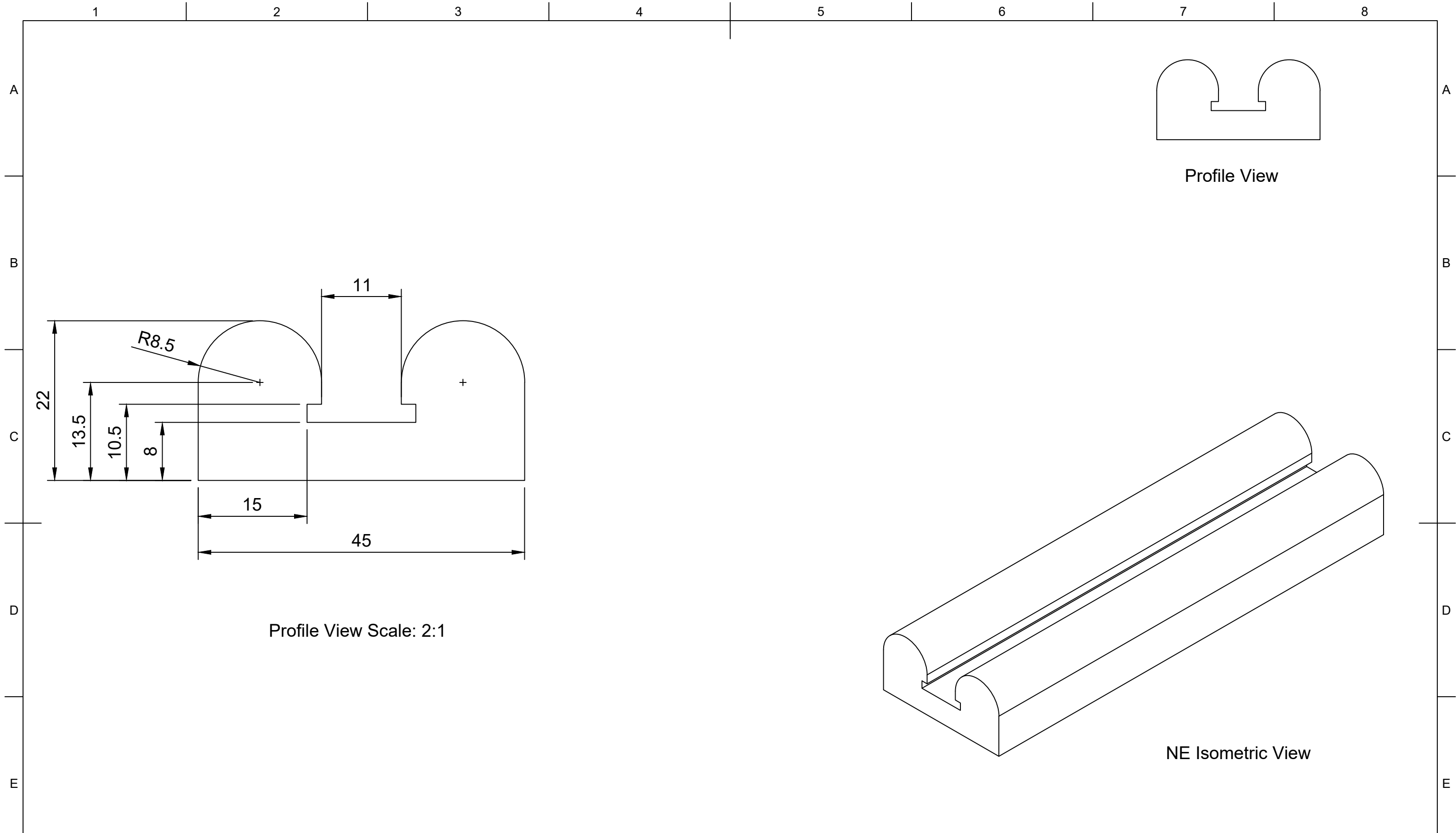



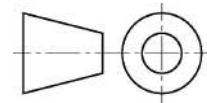
NE Isometric View

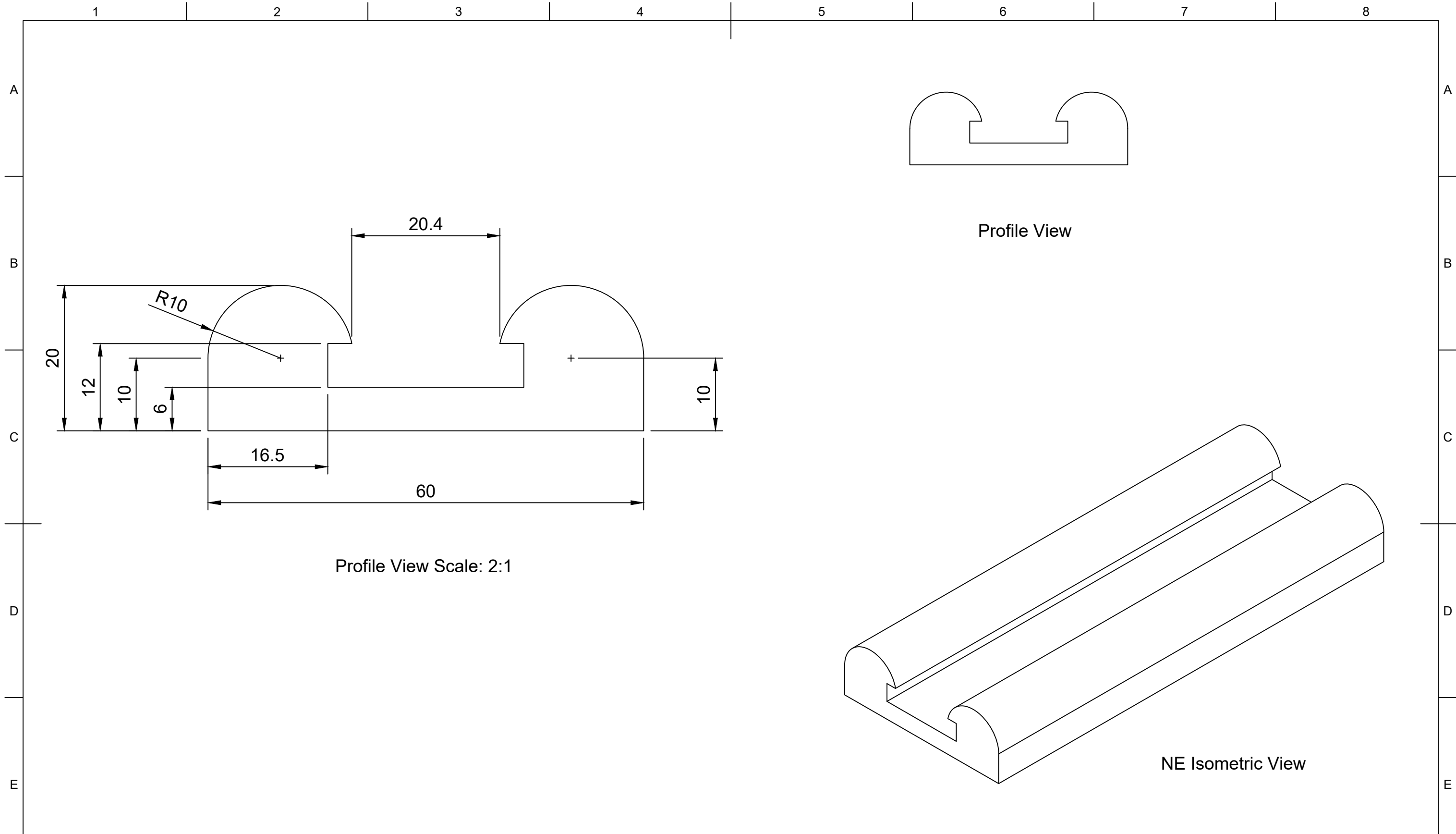



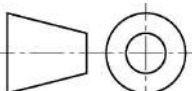
Part Number	200373				Created By	David Stirling	Cross Sectional Area (mm ²)	952		Nominal Dimension (mm)		Tolerance, ± (mm)
					Date Drawn	13/05/2020	Material	EPDM	Greater Than	Less Than or Equal to		
Description	B Section (With Strap) - Solid				Approved By		Hardness (Shore A)	70		0.00	1.50	0.40
					Date of Approval		Colour	Black	1.50	2.50	0.50	
					Weight (kg/m)	1.200		2.50	4.00	0.70		
								4.00	6.30	0.80		
								6.30	10.00	1.00		
Revision	Date of Issue	Sheet Scale	Sheet Size	Sheet	Projection	3rd Agl.			10.00	16.00	1.30	
A	24/01/2022	1:1	A3	1/1					16.00	25.00	1.60	
									25.00	40.00	2.00	
									40.00	63.00	2.50	
									63.00	100.00	3.20	
									100.00		3.20%	

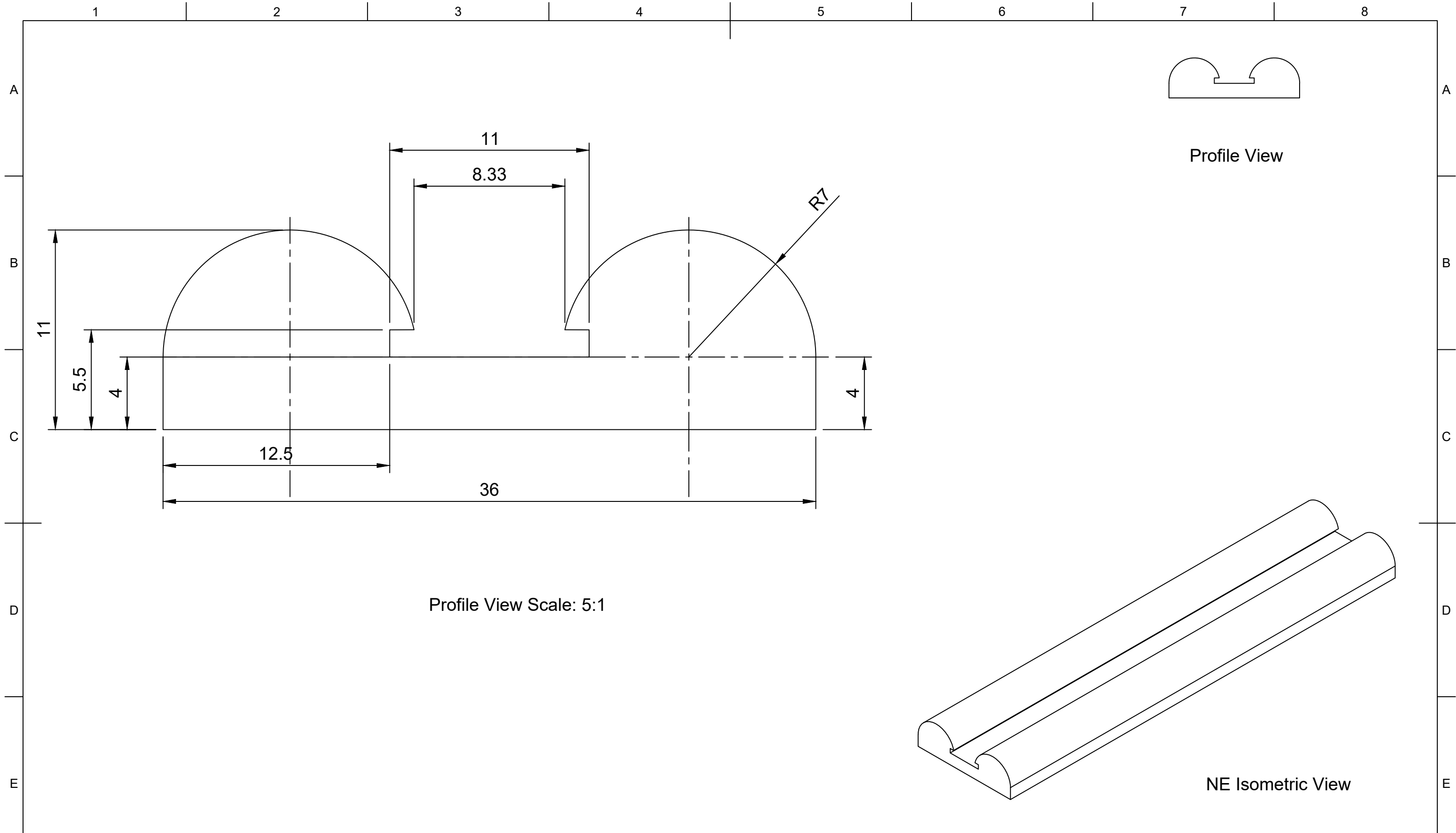
1 2 3 4 5 6 7 8



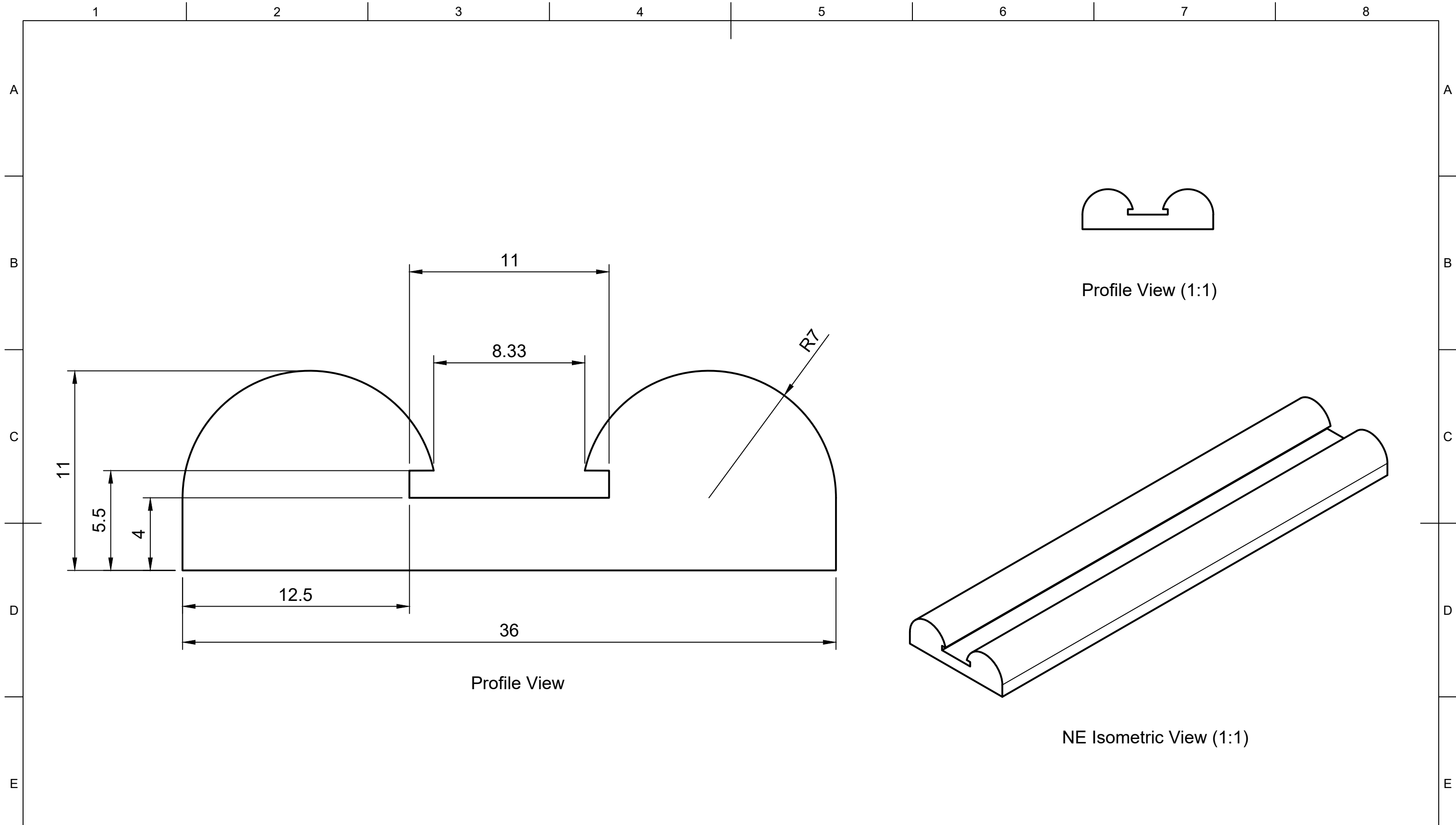
	Part Number				Created By		Cross Sectional Area (mm ²)		Nominal Dimension (mm)		Tolerance, ± (mm)
	200882				David Stirling		764		Greater Than	Less Than or Equal to	
	Description				Date Drawn		Material		0.00		0.40
					12/05/2020		EPDM		1.50		0.50
	B Section (With Strap) - Solid				Approved By		Hardness (Shore A)		2.50		0.70
					Date of Approval		70		4.00		0.80
	Revision				Date of Issue		Colour		6.30		1.00
					24/01/2022		Black		10.00		1.30
	A		Sheet Scale		Sheet Size		Sheet		16.00		1.60
	1:1		A3		1/1		Projection		25.00		2.00
3rd Agl.				Weight (g/m)		963		40.00		2.50	
								63.00		3.20	
								100.00		3.20%	


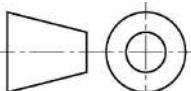


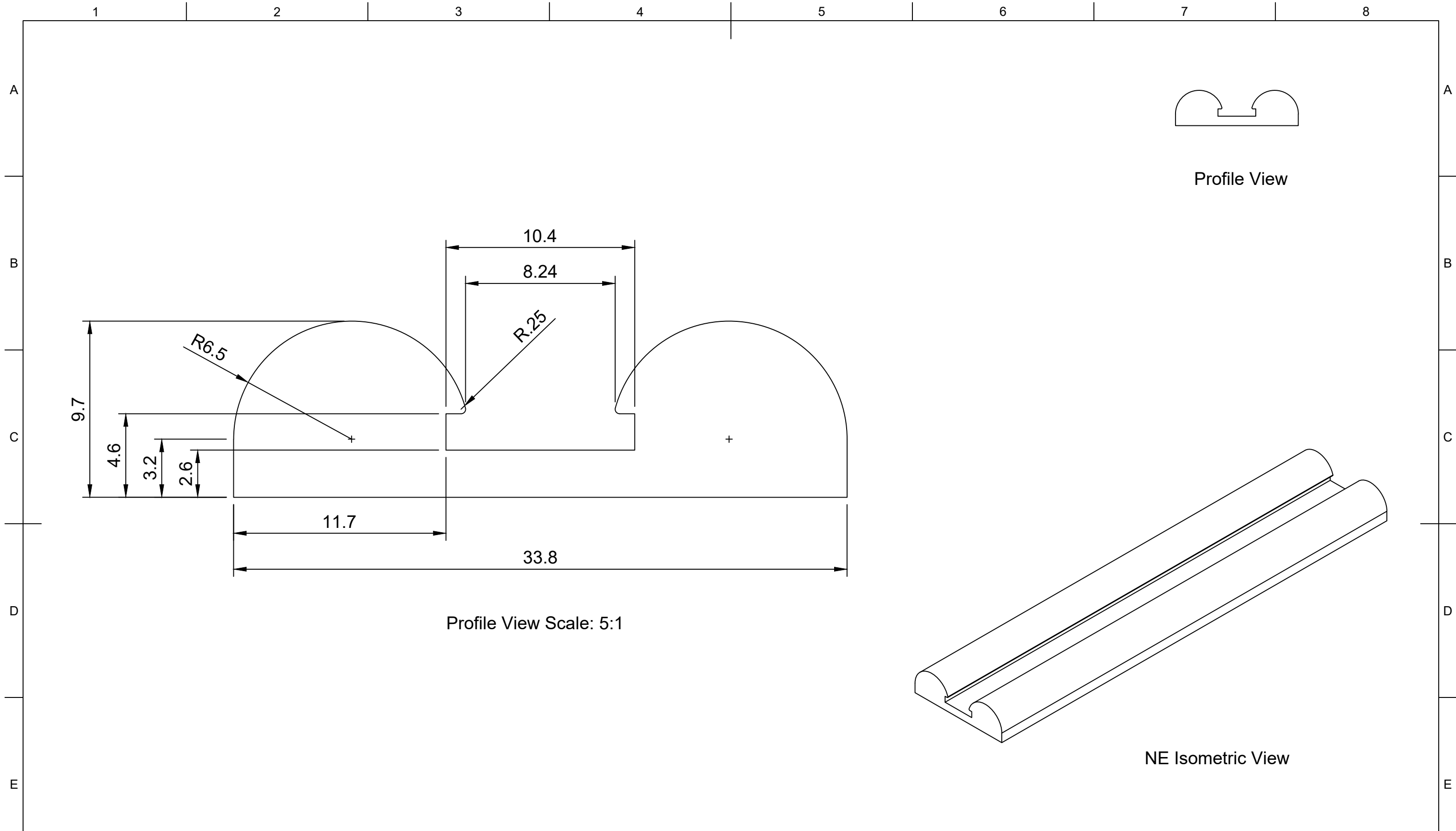
	Part Number				Created By		Cross Sectional Area (mm ²)		Nominal Dimension (mm)		Tolerance, ± (mm)
	201908				David Stirling		792		Greater Than	Less Than or Equal to	
	Description				Date Drawn		Material		0.00		0.40
					13/05/2020		EPDM		1.50		0.50
	B Section (With Strap, Half Moon) - Solid				Approved By		Hardness (Shore A)		2.50		0.70
					Date of Approval		70		4.00		0.80
	Revision				Date of Issue		Colour		6.30		1.00
					24/01/2022		Black		10.00		1.30
	A		Sheet Scale		Projection		Weight (g/m)		16.00		1.60
	1:1		A3		3rd Agl. 		998		25.00		2.00
1/1		1/1						40.00		2.50	
								63.00		3.20	
								100.00		3.20%	


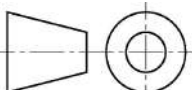


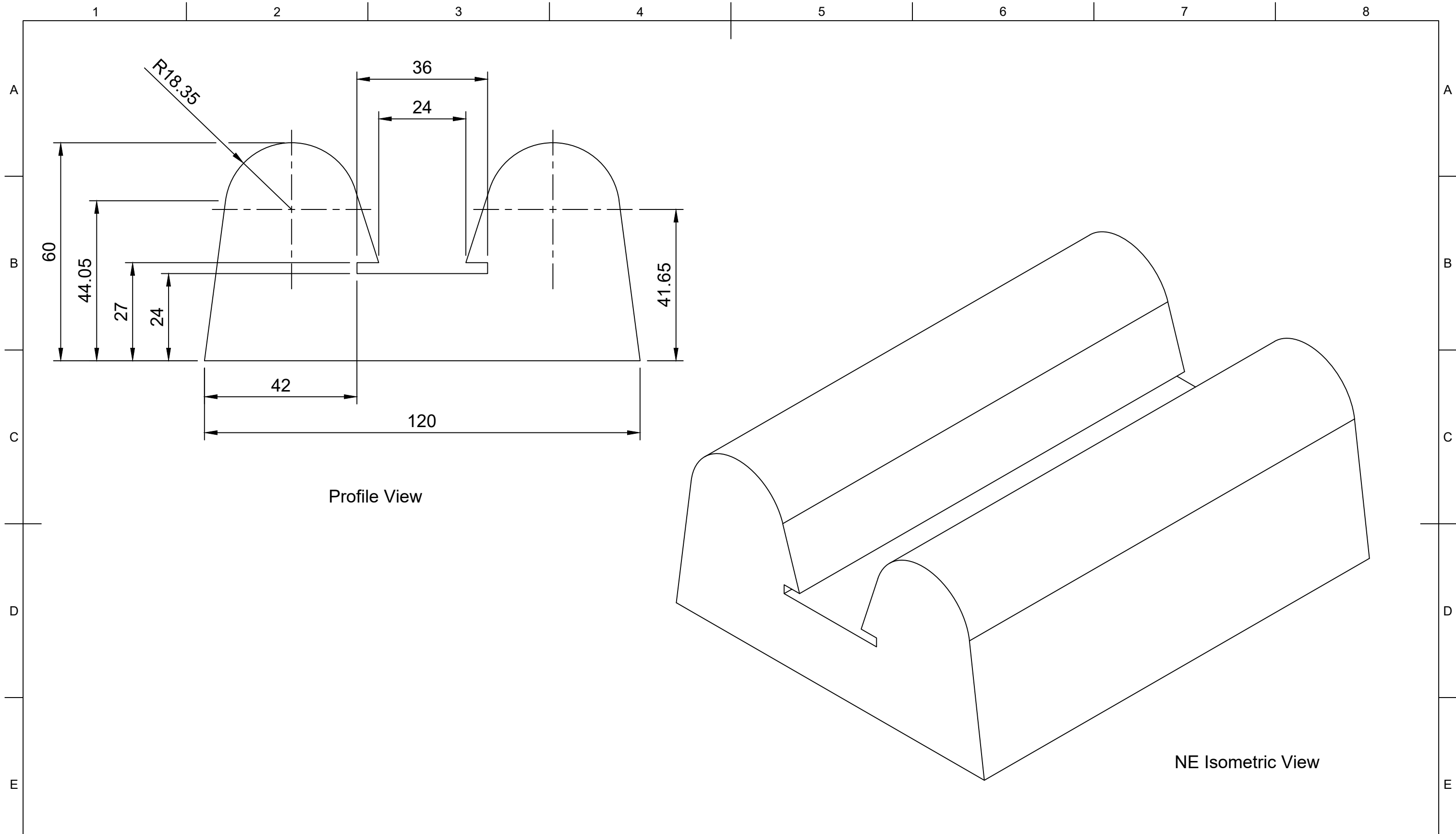
WALKERRUBBER LTD	Part Number				Created By		Cross Sectional Area (mm²)		Nominal Dimension (mm)		Tolerance, ± (mm)
	202817				David Stirling		294		Greater Than	Less Than or Equal to	
	Description				Date Drawn		Material		0.00	1.50	0.40
	B Section (With Strap, Half Moon) - Solid				12/05/2020		EPDM		1.50	2.50	0.50
	Revision				Approved By		Hardness (Shore A)		2.50	4.00	0.70
	A	Date of Issue		Sheet Scale	Sheet Size	Sheet	Date of Approval		4.00	6.30	0.80
		24/01/2022		1:1	A3	1/1			6.30	10.00	1.00
	Projection				Weight (g/m)				10.00	16.00	1.30
	3rd Agl.				370				16.00	25.00	1.60
									25.00	40.00	2.00
								40.00	63.00	2.50	
								63.00	100.00	3.20	
								100.00		3.20%	



	Part Number				Created By		Cross Sectional Area (mm ²)		Nominal Dimension (mm)		Tolerance, ± (mm)
	203602				David Stirling		294		Greater Than	Less Than or Equal to	
	Description				Date Drawn		Material		0.00		0.40
	B Section (With Strap, Half Moon) - Solid				24/01/2022		Neoprene		1.50		0.50
	Revision				Approved By		Hardness (Shore A)		2.50		0.70
	A				Date of Approval		70		4.00		0.80
	Date of Issue				Date of Approval		Colour		6.30		1.00
	24/01/2022				3rd Agl.		Black		10.00		1.30
	Sheet Scale				Projection		Weight (g/m)		16.00		1.60
	5:1				3rd Agl. 		447		25.00		2.00
Sheet Size								40.00		2.50	
A3								63.00		3.20	
Sheet								63.00		3.20	
1/1								100.00		3.20%	



	Part Number				Created By		Cross Sectional Area (mm²)		Nominal Dimension (mm)		Tolerance, ± (mm)
	209540				David Stirling		304		Greater Than	Less Than or Equal to	
	Description				Date Drawn		Material		0.00	1.50	0.40
	B Section (With Strap, Half Moon) - Solid				12/05/2020		EPDM		1.50	2.50	0.50
	Revision				Approved By		Hardness (Shore A)		2.50	4.00	0.70
	A	Date of Issue		Sheet Scale	Sheet Size	Sheet	Date of Approval		4.00	6.30	0.80
		24/01/2022		1:1	A3	1/1	Projection		6.30	10.00	1.00
							3rd Agl. 		10.00	16.00	1.30
							Weight (g/m)		16.00	25.00	1.60
							423		25.00	40.00	2.00
								40.00	63.00	2.50	
								63.00	100.00	3.20	
								100.00		3.20%	



WALKERRUBBER LTD	Part Number				Created By		Cross Sectional Area (mm²)		Nominal Dimension (mm)		Tolerance, ± (mm)
	209633				David Stirling		5302		Greater Than	Less Than or Equal to	
	Description				Date Drawn		Material		0.00	1.50	0.40
	B Section (With Strap, Tapered) - Solid				12/05/2020		EPDM		1.50	2.50	0.50
	Revision				Approved By		Hardness (Shore A)		2.50	4.00	0.70
	A	Date of Issue		Sheet Scale	Sheet Size	Sheet	70		4.00	6.30	0.80
		24/01/2022		1:1	A3	1/1	Date of Approval		6.30	10.00	1.00
							Colour		10.00	16.00	1.30
							Black		16.00	25.00	1.60
							Projection		25.00	40.00	2.00
						3rd Agl.		40.00	63.00	2.50	
						Weight (kg/m)		63.00	100.00	3.20	
						6.681		100.00		3.20%	